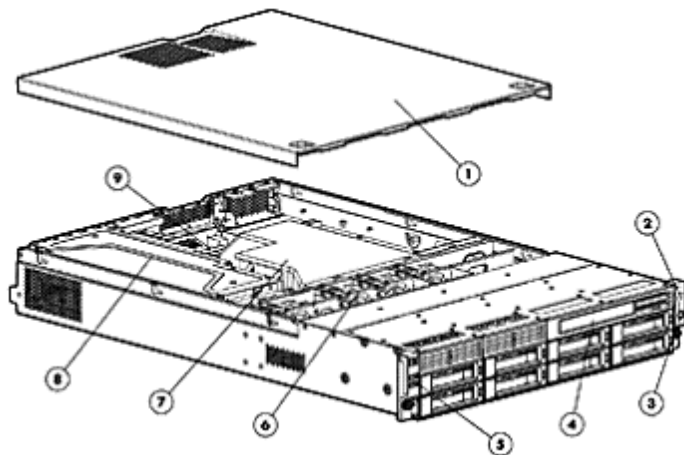
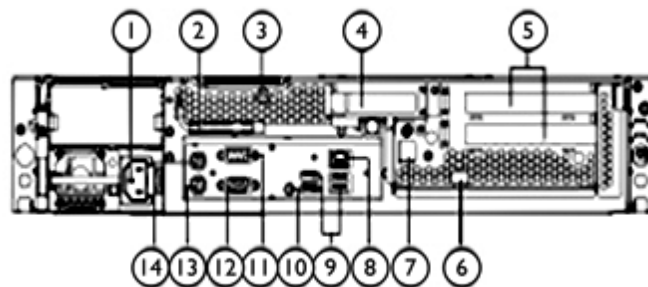


Overview



Front View:

1. Access panel
2. Front LED Indicators
3. Power on/off
4. Optional DVD-RW or DVD-ROM drive
5. Front USB Ports (2)
6. Non-Hot plug Non redundant fans (4 fans)
7. Air Baffle
8. PCI Cage
9. System Board



Rear View:

1. Power Supply Cable Socket
2. T-15/T-10 Screwdriver
3. Thumbscrew For Top Cover
4. Low Profile Card Slot
5. PCI Expansion Card Slot
6. Thumbscrew For PCI Cage
7. HP LO100c Management Card Port (Optional)
8. LAN Port
9. 4 USB 2.0 Ports
10. UID LED Button
11. Serial Port
12. VGA Port
13. PS/2 Mouse Port (green)
14. PS/2 Keyboard Port (purple)

What's New

- Support for Intel® Xeon® processors: L5420 and L5410
- Support for SATA/SAS Hot Plug Enterprise(ENT)/Midline (MDL) Hard Drives
- Support for Hot Plug Power Supplies

At A Glance

The HP ProLiant DL180 G5 is a low cost high capacity storage optimized 2-way server, that delivers on a history of design excellence and 2U density for a variety of rack deployments and applications.

- **Processors:**
 - Supports up to two Quad-Core Intel® Xeon® processors: 5400 sequence with 12MB Level 2 cache
 - Intel® 5100 Chipset
- **Memory:**
 - Up to 16 GB of memory supported by six (6) PC2-5300 (667 MHz) DDR2 memory slots
- **Internal Drive Support:**
 - Supports up to twelve via CTO with controller or up to eight via BTO:
 - Hot Plug Serial ATA (SATA) 3.5"hard drives; or
 - Hot Plug Serial Attached SCSI (SAS) 3.5"hard drives

Overview

NOTE: Hot Plug and SAS functionality requires the addition of Smart Array or HBA controller. 12 hard drive support requires a 4-port SAS controller that supports expanders.

- Internal storage capacity:
 - SATA Models: Up to 12.0TB (12 x 1TB Hot Plug 3.5" hard drives)
 - SAS Model: Up to 12.0TB (12 x 1TB Hot Plug 3.5" hard drives)
- **Network Controller:**
 - One integrated NC105i PCI-e Gigabit NIC (embedded) (Wake on LAN and PXE capable)
- **Storage Controllers:**
 - HP Embedded SATA RAID Controller (up to 4 hard drive support on base models)
- **Expansion Slots:**
 - One available Low Profile x8 PCI-Express slot using a Low profile Riser.
 - Two Full Height/ Full Length Riser options
 - Option1: 2 full-length/full-height PCI-Express x8 connector slots (x4 electrical - Standard)
 - Option2: full-length/full-height riser with 2 PCI-X Slots(Optional)
- **Management:**
 - Optional HP Lights Out 100c Remote Management card with Virtual KVM and Virtual Media support (includes IPMI2.0 and SMASH support)
- **USB Ports:**
 - Seven USB ports (2) front, (4) rear, (1) internal
- **Optical Drive:**
 - Support for one:
 - Optional Multi-bay DVD
 - Optional Floppy (USB only, USB key)
- **Power Supply:**
 - 750W Power Supply (Optional Redundancy Hot Plug, Autoswitching) CSCI 2007/8
 - 1200W High Efficiency Power Supply (Optional Redundancy Hot Plug, Autoswitching) (Optional) CSCI 2007/8
 - **NOTE:** Climate Savers Computing Initiative, 2007-2008 Compliant
- **Form Factor:**
 - 2U rack models
- **Deployment/Serviceability:**
 - Tooled access to all system components for easy in rack serviceability
 - Customer Self Repair (CSR): HP products are designed with many CSR parts to minimize repair time and allow for greater flexibility in performing defective parts replacement
- **Warranty:**
 - This product is covered by a global limited warranty and supported by HP Services and a worldwide network of HP Authorized Channel Partners. Hardware diagnostic support and repair is available for one year from date of purchase (3-1-1 warranty in AP and Brazil). Support for software and initial setup is available for 90 days from date of purchase. Enhancements to warranty services are available through HP Care Pack services or customized service agreements. SATA hard drives have a one-year warranty.
 - **NOTE:** Server Warranty includes 1-Year Parts, 1-Year Labor, 1-Year (3-1-1-in AP and Brazil) Onsite support (3-1-1-in AP and Brazil) with next business day response. Warranty repairs may be accomplished through the use of Customer Self Repair (CSR) parts. These parts fall into two categories: 1) Mandatory CSR parts are designed for easy replacement. A travel and labor charge will result when customers decline to replace a Mandatory CSR part; 2) Optional CSR parts are also designed for easy replacement but may involve added complexity. Customers may choose to have HP replace Optional CSR parts at no charge. Additional information regarding worldwide limited warranty and technical support is available at: <http://h18004.www1.hp.com/products/servers/platforms/warranty/index.html>

Standard Features

NOTE: For a brief, printer friendly data sheet that describes this product and informs you of the essential capabilities and specifications, please visit: <http://h71028.www7.hp.com/ERC/downloads/4AA1-2747EEW.pdf>

NOTE: For the Standard Features shipped in the Factory Integrated Models, please see the "Configuration Information - Factory Integrated Models" section.

Processor One of the following depending on Model	Quad-Core Intel® Xeon® processor L5420 (2.50 GHz, 50W, 1333MHz FSB)
	Quad-Core Intel® Xeon® processor L5410 (2.33 GHz, 50W, 1333MHz FSB)
	Quad-Core Intel® Xeon® processor E5440 (2.83 GHz, 80W, 1333MHz FSB)
	NOTE: Available through Configure To Order only. See Factory Integration Models section for more details.
	Quad-Core Intel® Xeon® processor E5430 (2.66 GHz, 80W, 1333MHz FSB)
	NOTE: Available through Configure To Order only. See Factory Integration Models section for more details.
	Quad-Core Intel® Xeon® processor E5420 (2.50 GHz, 80W, 1333MHz FSB)
	Quad-Core Intel® Xeon® processor E5405 (2.00 GHz, 80W, 1333MHz FSB)
	Dual-Core Intel® Xeon® processor E5205 (1.86 GHz, 65W, 1066MHz FSB)
	NOTE: Available through Configure To Order only. See Factory Integration Models section for more details.

Upgradeability Upgradeable to two processors

Chipset Intel® 5100 Chipset

Cache Memory 12MB (2 x 6MB) Level 2 cache (5400 sequence)

Memory Protection Registered Advanced ECC memory

Memory	Type	PC2-5300 DIMMs (DDR2-667)	
	Standard	1 GB	(1 x 1 GB)
	Maximum	16 GB	(2 x 4 GB) + (4 X 2 GB)

Two 4 GB DIMMs should be populated in sockets 1 and 2 first (the right most sockets when looking from the front of the chassis) - sockets 4 through 6 should be populated with 2 GB DIMMs. (Refer to hood label for more information)

Network Controller One NC105i PCI-E Gigabit NIC (embedded) (Wake on LAN and PXE capable)

Standard Features

Expansion Slots	Slot Number	Bus Speed	Bus Number*	Device Number**	Hot Plug (Y/N)	PCI Voltage	Notes
	3	x8 PCI-Express	3	1	N	3.3 volts	Low Profile
	1	x4 PCI-Express	5	0	N	3.3 volts	Full Length Full Height
	2	x4 PCI-Express	6	0	N	3.3 volts	Full length Full Height
	1	PCI-X***	Dynamic	1	N	3.3 volts	Full Length Full Height
	2	PCI-X***	Dynamic	2	N	3.3 volts	Full Length Full Height

NOTE: All slots can accept universal keyed PCI cards

* Default bus assignment. Inserting cards with PCI bridges may alter the actual bus assignment number.

** Slots are enumerated differently based on OS. MS OS's enumerate from lowest to highest Device ID by bus (starting with the lowest bus).

*** PCI-X bus speed will be 133MHz when only one PCI-X card is installed. It will be 100MHz when both slots have PCI-X cards installed.

Storage Controller	4HDD Models	HP Embedded SATA RAID Controller (integrated into the south-bridge) supporting SW RAID 0,1
---------------------------	-------------	--

NOTE: A diskette drive is needed to install storage controller drivers during a Windows operating system installation from a CD.

NOTE: A diskette drive is needed to install storage controller drivers during a Windows operating system installation from a CD.

Storage	Optical Drives:	
	DVD-ROM	8x IDE (ATAPI) DVD-ROM drive, slim (optional)
	DVD RW	8x IDE (ATAPI) DVD-RW drive, slim (optional)
	Diskette Drives	Via USB only
	Drive Bays:	
	Hot Plug SAS/SATA	Up to 12 Hot Plug SAS/SATA 3.5" drives (4 drive bays standard) NOTE: 4 Drive Models are Non-Hot Pluggable. Smart Array Controller must be added for Hot Plug drive capability. 4 Drive Models can be upgraded with the addition of a Smart Array Controller and a SAS/SATA Multi-lane cable (464830-B21). 12 Drive Model available via CTO factory integration ONLY. NOTE: The addition of a Smart Array Controller requires the addition of a SAS/SATA Multi-lane cable (464830-B21)

Maximum Internal Storage	SATA Maximum Internal	12.0TB	12 x 1TB
	SAS Maximum Internal	12.0TB	12 x 1TB

Standard Features

Interfaces	Parallel	None
	Network RJ-45 (Ethernet)	1 10/100/1000 NIC port (plus 1 optional for the HP ProLiant Lights Out 100c Remote Management Card)
	Serial	1
	Pointing Device (Mouse)	1
	Graphics	1
	Keyboard	1
	USB	7 total ports: (2) front, (4) rear, (1) internal NOTE: Please see the following URL for additional information regarding USB support: http://h18004.www1.hp.com/products/servers/platforms/usb-support.html .

Graphics	32MB shared supporting 1600 x 1200 x 16M resolution.
-----------------	--

Form Factor	Rack (2U), (3.5 in/8.89 cm)
--------------------	-----------------------------

Remote Management	Lights-Out 100c	<p>Lights Out LO100c is a family of Remote Management Card (RMC) for HP ProLiant 100 series servers that do not have embedded LO100i. The LO100c has all the features of the LO100i Advanced license and allows customers, or their service providers, to remotely manage ProLiant servers over a LAN or the Internet from anywhere, anytime regardless whether the server is located in the same building, across town, or around the globe.</p> <p>With LO100c, users can acquire complete remote control with Virtual KVM (graphical hardware-based, remote console). Users can also access the server's serial console, control system power, update system firmware and software, as well as monitor system environmental conditions. The LO100c remote management card can be accessed from a web browser or command line interface. This virtual "at-the-server" functionality means administrators stay in control of remote HP ProLiant 100 series servers.</p> <p>The HP Lights-Out100c consists of a management processor and firmware that provides cost-effective, entry-level lights-out functionality, basic system board management functions, and diagnostics.</p> <p>NOTE: For more information, please refer to the QuickSpecs for the LO100c found at: http://h18004.www1.hp.com/products/servers/management/remotemgmt/lightsout100/index.html</p>
--------------------------	-----------------	---

Standard Features

Server Management Stand Alone Software Product and ProLiant Essentials

ProLiant Essentials Rapid Deployment Pack

Rapid Deployment Pack (RDP) extends HP Systems Insight Manager with a complete deployment solution for HP ProLiant servers. RDP provides a central location to configure server hardware, deploy Windows, Linux and VMware ESX operating environments and install using images and scripted profiles. For more information, visit: <http://www.hp.com/servers/rdp>.

NOTE: Flexible and volume quantity license kits are available for ProLiant Essentials Value Packs. Refer to:

<http://www.hp.com/servers/proliantessentials> or the various ProLiant Essentials Value Pack product QuickSpecs for more information.

NOTE: For more information regarding ProLiant Essentials Software, please see the following URL: <http://www.hp.com/servers/proliantessentials>.

Core Infrastructure Management

Subscriber's Choice

Subscriber's Choice Driver and Support Alerts/Notifications is a web-based email subscription service that provides software and driver change notifications for ProLiant products. Sign up at:

<http://www.hp.com/go/subscriberschoice>

and customize your profile to receive various new alerts as they become available, on a weekly or monthly basis.

ROMPaq, software and latest drivers

The latest software, drivers, and firmware fully optimized and tested for your ProLiant server and options, available through ProLiant Support Packs the ProLiant Essentials Rapid Deployment Pack, SmartStart or downloaded from Software and Drivers download pages website at:

<http://www.hp.com/go/support>.

Industry Standard Compliance

ACPI V2.0 Compliant

PCI 2.2 Compliant

PXE Support

WOL Support

Microsoft® Logo certifications

IPMI 2.0 Compliant

Manageability

The optional HP PL100 G5 Lights-Out 100c Kit ALL provides the following OS-independent remote control capabilities with a riser card:

- Virtual power
- System event log access
- System health
- Remote Serial console (serial redirection)
- Browser, Telnet access
- SMASH-CLP compliant
- IPMI 2.0 compliant
- Virtual media (Floppy, CD, USB 2.0 (with release 3.0))
- Secure Socket Layer Encryption
- Secure Shell Encryption
- Virtual KVM

Standard Features

Security	Power-on password Setup password
Server Power Cords	One Highline IEC Power cord ships standard (for connection to a Power Distribution Unit) NOTE: HP ProLiant DL servers no longer ship standard with NEMA power cords that allow connection to 110V US wall outlets in a home or office. HP ProLiant DL servers are primarily connected to PDU's in data center racks so they now ship standard with only a PDU power cord. If a user wishes to power a ProLiant DL server using a 110V receptacle (NEMA-15), the NEMA power cord (AF556A) must be ordered separately. If a local power cord is required, please reference the following power cord matrix: http://www.hp.com/go/powercordmatrix . NOTE: Rack models ship standard with an IEC cable. Localized cables included with geographic specific models in other world regions.
UPS and PDU Power Cord Matrix	Please see the UPS and PDU cable matrix that lists cable descriptions, requirements, and specifications for UPS and PDU units: http://h18004.www1.hp.com/products/servers/proliantstorage/power-protection/index.html .
Power Supply	750Watts - (Hot Plug, Autoswitching) Ships Standard 1200Watts - High Efficiency 12V Hot Plug AC Power Supply (Autoswitching) (Optional) 750Watts - Power Supply (Redundant Hot Plug, Autoswitching) (Optional) 1200Watts - High Efficiency Power Supply (Redundant Hot Plug, Autoswitching), CSCI 2007/2008 (Optional) NOTE: Climate Savers Computing Initiative, 2007-2008 Compliant NOTE: For additional information please see the Options section of this QuickSpecs.
System Fans	4 system fans ship standard; Non-hot plug, Non-redundant
OS Support	Microsoft Windows 2003 and Microsoft Windows 2003/R2 Standard Edition (32-bit) Microsoft Windows 2003 and Microsoft Windows 2003/R2 Enterprise Edition (32-bit) Microsoft Windows 2003 and Microsoft Windows 2003/R2 Web Edition (32-bit) Microsoft Windows 2003 and Microsoft Windows 2003/R2 for Extended Systems Standard Edition (64-bit) Microsoft Windows 2003 and Microsoft Windows 2003/R2 for Extended Systems Enterprise Edition (64-bit) Microsoft Windows Server 2008 Red Hat Enterprise Linux SUSE Linux Enterprise Server NOTE: For an up-to-date listing of the latest OS support matrix, please see: http://www.hp.com/go/supportos NOTE: For an up-to-date listing of the latest software and drivers available for your server, please select your server: http://h20000.www2.hp.com/bizsupport/TechSupport/Product.jsp?lang=en&cc=us&taskId=135&prodTypeId=15351&prodCatId=241435 .

Standard Features

Rack Airflow Requirements

Rack 10000 series Cabinets

The increasing power of new high-performance processor technology requires increased cooling efficiency for rack-mounted servers. The 10000 Series Racks provide enhanced airflow for maximum cooling, allowing these racks to be fully loaded with servers using the latest processors.

CAUTION: If a third-party rack is used, observe the following additional requirements to ensure adequate airflow and to prevent damage to the equipment:

Front and rear doors: If your 42U server rack includes closing front and rear doors, you must allow 830 square inches (5,350 sq cm) of hole evenly distributed from top to bottom to permit adequate airflow (equivalent to the required 64 percent open area for ventilation).

Side: The clearance between the installed rack component and the side panels of the rack must be a minimum of 2.75 inches (7 cm).

CAUTION: Always use blanking panels to fill all remaining empty front panel U-spaces in the rack. This arrangement ensures proper airflow. Using a rack without blanking panels results in improper cooling that can lead to thermal damage.

Rack Kit

HP ProLiant DL180 rack models have fixed rails which provide support for round or square mounting holes, including Compaq/HP 7000, 9000, 10000 and HP series), with an adjustment range of 26" - 36".

Telco and Threaded Hole Rack Support

Support for all 2-post Telco racks and threaded hole racks requires an additional option kit from Rack Solutions. The Rack Solutions brackets can be purchased at: <http://www.racksolutions.com/hp>.

Factory Express Portfolio for Servers and Storage

HP Factory Express offers configuration, customization, integration and deployment services for HP servers and storage products. Customers can choose how their factory solutions are built, tested, integrated, shipped and deployed.

Factory Express offers service packages for simple configuration, racking, installation, complex configuration and design services as well as individual factory services, such as image loading, asset tagging, and custom packaging. HP products supported through Factory Express include a wide array of servers and storage: HP Integrity, HP ProLiant, HP ProLiant Server Blades, HP BladeSystem, HP 9000 servers as well as the MSAxxx, VA7xxx, EVA, XP, rackable tape libraries and configurable network switches.

For more information on Factory Express services for your specific server model please contact your sales representative or go to: <http://www.hp.com/go/factory-express>.

HP Enterprise Configurator

The HP eCo-Enterprise Configurator now provides factory default racking for our HP hardware portfolio. This approach is aligned with our strategic direction to meet the needs and expectations of our valued customers. If you require "custom" rack configuration, please contact HP's Customer Business Center or an Authorized Partner for assistance.

Standard Features

Service and Support

HP services provide total care and support expertise with committed response designed to meet your IT and business needs.

HP Care Pack services include coverage for the HP branded hardware options qualified for the server, purchased at the same time or afterward, internal to the enclosure, as well as 22" and smaller external monitors and tower UPS options up to 3kVA; these items will be covered at the same service level and for the same coverage period as the server. Coverage of UPS Battery is not included, standard warranty terms & conditions apply. For servers or storage systems installed within a rack, service also covers all HP qualified rack options installed within the same rack.

To fully capitalize on your HP ProLiant servers' capabilities requires a service partner who thoroughly understands your server technology and systems environment. HP Services, an industry leader in provision of multi vender support solutions provides a range of support services designed to meet the varying needs of business. Whether an SMB or large global corporation HP has a ProLiant server support offer to help you speedily deploy and maximize system uptime.

Recommended Service – Simplify ProLiant solution implementation, maintenance and management.

- **Support Service** – 3 Year, 9x5 Next Business Day coverage, excluding HP holidays only
- **Deployment Service** – Hardware Installation only

Enhanced Service – Optimize service level to increase IT performance and availability

- **Support Service** – 3 Year 13x5 Same Business Day, 4-Hour response coverage
- **Deployment Service** – Installation and Start-up only

Installation & Start-Up of a ProLiant server and Microsoft or Linux O/S per the Customer Description and/or Data Sheet. To be delivered on a scheduled basis 8am-5pm, M-F, excl. HP holidays.

For a complete listing of service offerings and information visit:

<http://www.hp.com/services/proliantservices>

<http://www.hp.com/go/proliant/carepack>

Models

Four Drive Serial ATA (SATA) Models

NOTE: To upgrade from 4 Non-Hot Plug SATA hard drives to 4 Hot Plug SATA/SAS hard drives the addition of a storage controller and one Internal SATA/SAS cable (464830-B21) are required. To upgrade to 8 Hot Plug SATA/SAS hard drives, the addition of a storage controller and two Internal SATA/SAS cables (464830-B21) are required.

NOTE: To upgrade to server models supporting 12 hard drives; you must start with HP ProLiant DL180 CTO Chassis (P/N 457649-B21). Please see the Configuration To Order section below.

<p>HP DL180 G5, E5420 2.50GHz,(QC) 1GB (1P) 456830-xx1</p>	<p>Processor One of the following depending on model</p>	<p>Quad-Core Intel® Xeon® processor E5420 (2.50 GHz, 80W, 1333 MHz FSB) Quad-Core Intel® Xeon® processor E5405 (2.00 GHz, 80W, 1333 MHz FSB)</p>
<p>HP DL180 G5, E5405 2.00 GHz,(QC) 1GB (1P) 456831-xx1</p>	<p>Cache Memory Memory</p>	<p>12MB (2 x 6MB) Level 2 cache (5400 sequence) 1 GB (1 x 1 GB) PC2-5300 DIMMs (DDR2-667) with Advanced ECC capabilities</p>
	<p>Network Controller</p>	<p>One HP NC105i PCI-E (embedded)</p>
	<p>Storage Controller</p>	<p>Embedded SATA Raid Standard</p>
	<p>Hard Drive</p>	<p>None ship standard (up to 8 Hot Plug SATA or SAS drives supported standard with the addition of a controller and cable. 12 drive models supported via CTO only.)</p>
	<p>Internal Storage</p>	<p>BTO internal storage capacity of up to: 8.0TB (8 x 1TB Hot Plug 3.5" SATA hard drives) 8.0TB (8 x 1TB Hot Plug 3.5" SAS hard drives)</p>
	<p>Optical Drive</p>	<p>DVD-ROM, DVD RW (Optional)</p>
	<p>Form Factor</p>	<p>Rack (2U)</p>
		<p>NOTE: Server models supporting 4 hard drives are Non-Hot Pluggable. Smart Array Controller must be added for Hot Plug drive capability. NOTE: SAS (Serial Attach SCSI) capability requires the addition of a Smart Array or HBA Controller card.</p>

Country Code Key	xx = 00	U.S.
	xx = 20	Brazil
	xx = 29	Japan
	xx = 37	APD
	xx = 42	Europe
	xx = AA	PRC

Configuration Information - Factory Integrated Models

NOTE: This section lists some of the steps required to configure a Factory Integrated Model. To ensure only valid configurations are ordered, HP recommends the use of an HP approved configurator. Contact your local sales representative for information on CTO product offerings and requirements.

NOTE: HP does not allow factory integration of options into standard models listed above.

Configure-to-order servers must start with a CTO Chassis.

NOTE: This product offering does not support HP Factory Express Server Configuration Level 1.

NOTE: FIO indicates that this option is a Factory Installable Option.

Step 1: Base Configuration (choose one of the following configurable models)

Hot Plug Models

HP ProLiant DL180 G5 Hot Plug SAS/SATA Rack CTO Chassis 457649-B21

Factory Integrated Model ships with:

One embedded NC105i PCI-E Gigabit Server Adapters (WOL & PXE-capable)

Three available PCI-Express slots:

Slot 1: x8 low-profile/half-height slot

Slot 2 & 3: x4 Full-Height/Full Length

NOTE: Optional PCI-X option kit includes: Slot 1 and 2: full-length/full-height PCI-X 100. PCI-X slots are 64 bits; 133 MHz capable if only one PCI-X card is installed in the server.

One HP SATA Embedded Cable Kit

750 Watt Power Supply

One Highline IEC Power Cord

4 Non-Hot Plug Fans

Rack (2U), (3.5 in/8.89 cm)

Step 2: Choose Required Options (only one of the following from each list unless otherwise noted)

Processors	Quad-Core Intel® Xeon® processor L5420 (2.50 GHz, 50W, 1333MHz FSB)	487901-L21
	NOTE: If 2 processors are desired, select one 487901-L21 and one 487901-B21.	
	Quad-Core Intel® Xeon® processor L5410 (2.33 GHz, 50W, 1333MHz FSB)	491310-L21
	NOTE: If 2 processors are desired, select one 491310-L21 and one 491310-B21.	
	Quad-Core Intel® Xeon® processor E5440 (2.83 GHz, 80W, 1333MHz FSB) Kit, FIO	466106-L21
	NOTE: If 2 processors are desired, select one 466106-L21 and one 466106-B21.	
	Quad-Core Intel® Xeon® processor E5430 (2.66 GHz, 80W, 1333MHz FSB) Kit, FIO	458784-L21
	NOTE: If 2 processors are desired, select one 458784-L21 and one 458784-B21.	
	Quad-Core Intel® Xeon® processor E5420 (2.50 GHz, 80W, 1333MHz FSB) Kit, FIO	458785-L21
NOTE: If 2 processors are desired, select one 458785-L21 and one 458785-B21.		
Quad-Core Intel® Xeon® processor E5405 (2.00 GHz, 80W, 1333MHz FSB) Kit, FIO	458786-L21	
NOTE: If 2 processors are desired, select one 458786-L21 and one 458786-B21.		
Dual-Core Intel® Xeon® processor E5205 (1.86 GHz, 65W, 1066MHz FSB) Kit, FIO	458787-L21	
NOTE: If 2 processors are desired, select one 458787-L21 and one 458787-B21.		

Configuration Information - Factory Integrated Models

Memory	1 GB PC2-5300 2 x 512 MB Single Rank Kit	408850-B21
	1 GB REG PC2-5300 1 x 1 GB Kit	462483-B21
	2 GB REG PC2-5300 2 x 1 GB Low Power Single Rank Kit	483399-B21
	2 GB REG PC2-5300 2 x 1 GB Single Rank Kit	408851-B21
	4 GB REG PC2-5300 2 x 2 GB Single Rank Kit	461840-B21
	4 GB REG PC2-5300 2 x 2 GB Dual Rank Kit	408853-B21
	8 GB REG PC2-5300 2 x 4 GB Dual Rank Kit	408854-B21
	8 GB REG PC2-5300 2 x 4 GB Low Power Dual Rank Kit	483403-B21

NOTE: Dual Rank DIMMs are only supported in slots 1 and 2. See the memory population matrix in the Memory section of this QuickSpecs.

Hard Drive Cage	HP DL180 8HDD Cage FIO Kit	451368-B21
	HP DL180 12HDD Cage FIO Kit	451369-B21

NOTE: The installation of a 12HDD Cage requires the addition of a 4-port SAS controller that supports expanders. A Smart Array Controller, P400 or better, is recommended.

NOTE: The addition of a Smart Array Controller (or 4-port SAS controller that supports expanders) requires the addition a SAS/SATA Multi-lane cable (464830-B21).

Step 3: Choose Additional Options for Factory Integration

NOTE: For additional options, please refer to the "Options" section below. Some options may not be available for factory integration. Please contact an HP sales representative for additional information.

Options

Unique Options	<p>HP ProLiant DL180 PCI/X Riser Kit 451285-B21</p> <p>NOTE: This option kit replaces the three internal expansion slots listed in step 1 base configuration.</p> <p>NOTE: Optional PCI-X option kit includes: Slot 1: full-length/full-height PCI-X 100; Slot 2: Full length/Full-height PCI-X 100. PCI-X slots are 64 bits; 133 MHz capable if only one PCI-X card is installed in the server.</p>
Power Supplies	<p>750W Redundant Power Supply Kit 451366-B21</p> <p>High Efficiency HP 1200W 12V Hot Plug AC Power Supply 437572-B21</p> <p>NOTE: Redundant Power Supply configuration for 1200W power supply requires both power supplies to be 1200W. The 1200W and 750W power supplies cannot be mixed.</p>
Remote Management	<p>Lights-Out 100c Remote Management Card</p> <p>HP Lights Out 100c Remote Management Card 100c Kit 445513-B21</p> <p>NOTE: For more information regarding Lights Out 100c Remote Management Card, please see the following URL: http://www.hp.com/servers/proliantessentials.</p>
Server Management Stand Alone Software Products and ProLiant Essentials	<p>NOTE: Electronic licensing options are available for Insight Control suites and select ProLiant Essentials software products. Please see the appropriate Insight Control and ProLiant Essentials QuickSpecs for additional information.</p> <p>Deploy</p> <p>Rapid Deployment Pack</p> <p>ProLiant Essentials Rapid Deployment Pack No Media 1-Server License including 1 year of 24x7 Technical Support and Updates 452151-B21</p> <p>NOTE: This license allows 1 server to be deployed and managed via RDP. Customer will receive a printed license entitlement certificate via physical shipment. The license entitlement certificate must be redeemed online or via fax in order to obtain the license activation key(s). Includes one year of 24 x 7 HP Software Technical Support and Update Service.</p> <p>NOTE: For additional ProLiant Essentials Rapid Deployment Pack License Kits please see the QuickSpecs at: http://h18000.www1.hp.com/products/quickspecs/11053_div/11053_div.html</p> <p>NOTE: Flexible and volume quantity license kits are available for ProLiant Essentials Value Packs. Refer to: http://www.hp.com/servers/proliantessentials or the various ProLiant Essentials Value Pack product QuickSpecs for more information.</p> <p>NOTE: For more information regarding ProLiant Essentials Software, please see the following URL: http://www.hp.com/servers/proliantessentials.</p>

Options

Processor	Quad-Core Intel® Xeon® processor L5420 (2.50 GHz, 50W, 1333MHz FSB)	487901-B21
	Quad-Core Intel® Xeon® processor L5410 (2.33 GHz, 50W, 1333MHz FSB)	491310-B21
	Quad-Core Intel® Xeon® processor E5440 (2.83 GHz, 80W, 1333MHz FSB)	466106-B21
	Option Kit	
	Quad-Core Intel® Xeon® processor E5430 (2.66 GHz, 80W, 1333MHz FSB)	458784-B21
	Option Kit	
	Quad-Core Intel® Xeon® processor E5420 (2.50 GHz, 80W, 1333MHz FSB)	458785-B21
	Option Kit	
Quad-Core Intel® Xeon® processor E5405 (2.00 GHz, 80W, 1333MHz FSB)	458786-B21	
Option Kit		
Dual-Core Intel® Xeon® processor E5205 (1.86 GHz, 65W, 1066MHz FSB)	Option Kit	458787-B21

Memory	1 GB REG PC2-5300 2 x 512 MB Single Rank Kit	408850-B21
	1 GB REG PC2-5300 1 x 1 GB Kit	462483-B21
	2 GB REG PC2-5300 2 x 1 GB Low Power Single Rank Kit	483399-B21
	2 GB REG PC2-5300 2 x 1 GB Single Rank Kit	408851-B21
	4 GB REG PC2-5300 2 x 2 GB Dual Rank Kit	408853-B21
	4 GB REG PC2-5300 2 x 2 GB LP Single Rank Kit	461840-B21
	8 GB REG PC2-5300 2 x 4 GB Dual Rank Kit	408854-B21
	8 GB REG PC2-5300 2 x 4 GB Low Power Dual Rank Kit	483403-B21

NOTE: Dual Rank DIMMs are only supported in slots 1 and 2. See the memory population matrix in the Memory section of this QuickSpecs.

Hard Drives	SATA Hot Plug Midline (MDL) Drives	
	HP 1TB 3G SATA 7.2K 3.5" MDL HDD	454146-B21
	HP 750GB 3G SATA 7.2K 3.5" MDL HDD	458930-B21
	HP 500GB 3G SATA 7.2K 3.5" MDL HDD	458928-B21
	HP 250GB 3G SATA 7.2K 3.5" MDL HDD	458926-B21
	NOTE: Server BIOS update is required to support 3G SATA drives when configured with embedded SATA controller.	
	SATA Entry (ETY) Drives 3.5", Hot Plug	
	HP 160GB 3G SATA 7.2K 3.5" ETY HDD	458945-B21
	NOTE: Server BIOS update is required to support 3G SATA drives when configured with embedded SATA controller.	
	NOTE: SATA drives have a 1 year warranty. Please see the SATA Hard Drive QuickSpecs for Technical Specifications such as capacity, height, width, interface, transfer rate, seek time, physical configuration, and operating temperature: http://h18000.www1.hp.com/products/quickspecs/13021_div/13021_div.html (Worldwide)	
	SAS Midline (MDL) Drives 3.5", Hot Plug	
	HP 1TB 7.2K 3.5" DP SAS MDL HDD	461137-B21
	HP 750GB 7.2K 3.5" DP SAS MDL HDD	461135-B21
	SAS Enterprise (ENT) Drives 3.5", Hot Plug	
450GB 3G 15K 3.5" DP SAS ENT HDD	454232-B21	

Options

HP 300GB 3G SAS 15K 3.5" DP HDD	416127-B21
HP 300GB SAS 15K Hot Plug 3.5 SP HDD	431944-B21
HP 146GB 3G SAS 15K 3.5" DP HDD	384854-B21
HP 146GB SAS 15K Hot Plug 3.5" SP HDD	375872-B21
HP 72GB 3G SAS 15K 3.5" DP HDD	384852-B21
HP 72GB SAS 15K Hot Plug 3.5" SP HDD	375870-B21

NOTE: Please see the [Hard Drive QuickSpecs](#) for Technical Specifications such as capacity, height, width, interface, transfer rate, seek time, physical configuration, and operating temperature:

http://h18000.www1.hp.com/products/quickspecs/12244_div/12244_div.html
(Worldwide)

NOTE: If selecting more than 4 hard drives or if using SAS hard drives a Smart Array controller and two SAS/SATA cables (P/N 464830-B21) are required.

Optical Drives	HP Slim SATA DVD-ROM	481041-B21
	HP Slim SATA DVDRW	481043-B21
	DVD-ROM Drive	449991-B21
	DVD-RW Drive	449998-B21

Storage Controllers	SAS Controllers	
	HP SC44Ge Host Bus Adapter	416096-B21
	NOTE: Please see the HBA QuickSpecs for additional information: http://h18004.www1.hp.com/products/quickspecs/12617_div/12617_div.html (SC44Ge HBA)	
	SCSI HBA	
	HP SC11Xe Host Bus Adapter	412911-B21
	NOTE: Please see the QuickSpecs for additional information: http://h18000.www1.hp.com/products/quickspecs/12566_div/12566_div.html (SCSI HBA)	
	Internal SAS/SATA Cable	464830-B21
	NOTE: If selecting more than 4 hard drives or if using SAS hard drives a Smart Array controller is required and two SAS/SATA cables.	
	NOTE: The addition of a Smart Array Controller requires the addition of a SAS/SATA Multi-lane cable.	
	HP Smart Array E200 Controller	
	HP Smart Array E200/128 BBWC Controller	411508-B21
	HP Smart Array E500 Controller	
	HP Smart Array E500/256MB Controller	435129-B21
NOTE: When ordering a Smart Array E500 Controller with BBWC the addition of the HP SA-P400 and SA-E500 24" Battery Cable Kit (417836-B21) is required.		
HP Smart Array P400 Controller		
HP Smart Array P400/256MB Controller	405132-B21	
HP Smart Array P400/512MB Controller with BBWC	411064-B21	
NOTE: When ordering a Smart Array P400 Controller with BBWC the addition of the HP SA-P400 and SA-E500 24" Battery (417836-B21) is required.		

Options

HP SA-P400 and SA-E500 24 In Battery Cable Kit 417836-B21

NOTE: This option kit contains a 24" battery cable and adhesive material for installing a battery into the server if a Smart Array P400 or Smart Array E500 is integrated outside of the factory. For all solutions, please refer to the server QuickSpecs and User's Manual for detailed installation instructions.

HP Smart Array P800 Controller

HP Smart Array P800/512 BBWC Controller 381513-B21

512 MB Battery-backed write cache upgrade 405148-B21

Battery-backed write cache upgrade 383280-B21

NOTE: Please see the following Controller QuickSpecs for additional information:

http://h18000.www1.hp.com/products/quickspecs/12460_div/12460_div.html
(Smart Array E200 Controller)

http://h18000.www1.hp.com/products/quickspecs/12700_div/12700_div.html
(Smart Array E500 Controller)

http://h18000.www1.hp.com/products/quickspecs/12400_div/12400_div.html
(Smart Array P400 Controller)

http://h18000.www1.hp.com/products/quickspecs/12616_div/12616_div.html
(Smart Array P800 Controller)

Communications

HP NC110T PCI Express Gigabit Server Adapter 434905-B21

NOTE: Does not support Windows 2000.

HP NC360T PCI Express Dual Port Gigabit Server Adapter 412648-B21

HP NC364T PCI Express Quad Port Gigabit Server Adapter 435508-B21

NOTE: Does not support Windows 2000.

HP NC373F PCI Express Multifunction Gigabit Server Adapter 394793-B21

HP NC373T PCI Express Multifunction Gigabit Server Adapter 394791-B21

HP NC380T PCI Express Dual Port Multifunction Gigabit Server Adapter 394795-B21

NOTE: Supported on a Full Length-Full Height slot only.

HP NC510C PCIe 10 Gigabit Server Adapter 414129-B21

NOTE: A minimum of 1 gigabyte (1 GB) of server memory is required per each NC510C adapter.

HP NC510F PCIe 10 Gigabit Server Adapter 414126-B21

NOTE: A minimum of 1 gigabyte (1 GB) of server memory is required per each NC510F adapter.

HPC Specific Options

HP IB 4X DDR PCI-e Dual-port 0 memory HCA 483513-B21

Rack Kits

HP Rack Cable Management Velcro Clips 379820-B21

Options

HP StorageWorks Modular Smart Array 20	HP StorageWorks Modular Smart Array 20 NOTE: Rack-mountable 12 (SATA) drive enclosure with U320 Host connectivity, redundant power supplies. NOTE: Please see the Modular Smart Array 20 QuickSpecs for additional information including configuration steps and additional options needed for a complete solution at: http://h18000.www1.hp.com/products/quickspecs/11942_div/11942_div.html (Worldwide)	335921-B21
HP StorageWorks Modular Smart Array 30	HP StorageWorks Modular Smart Array 30 SB NOTE: Rack-mountable 14 drive enclosure with single bus, redundant power supplies. NOTE: Please see the Modular Smart Array 30 QuickSpecs for additional information including configuration steps and additional options needed for a complete solution at: http://h18000.www1.hp.com/products/quickspecs/11738_div/11738_div.html (Worldwide)	302969-B21
HP StorageWorks Modular Smart Array 50	HP StorageWorks Modular Smart Array 50 Enclosure NOTE: Rack-mountable 10 SFF drive enclosure with single I/O module, redundant hot plug power supplies and hot plug fans. NOTE: Please see the Modular Smart Array 50 QuickSpecs for additional information including configuration steps and additional options needed for a complete solution at: http://h18000.www1.hp.com/products/quickspecs/12245_div/12245_div.html (Worldwide)	364430-B21
HP StorageWorks Modular Smart Array 60	HP StorageWorks 60 Modular Smart Array NOTE: Rack-mountable 12-drive (3.5" 3G SAS/1.5G SATA) 2U enclosure with 3Gb/s SAS host connectivity and redundant power supplies. NOTE: Please see the Modular Smart Array 60 QuickSpecs for additional information including configuration steps and additional options needed for a complete solution at: http://h18000.www1.hp.com/products/quickspecs/12627_div/12627_div.html (Worldwide)	418408-B21
HP StorageWorks Modular Smart Array 70	HP StorageWorks 70 Modular Smart Array NOTE: Rack-mountable 25-drive (2.5" 3G SAS/1.5G SATA) 2U enclosure with 3Gb/s SAS host connectivity and redundant power supplies. NOTE: Please see the Modular Smart Array 70 QuickSpecs for additional information including configuration steps and additional options needed for a complete solution at: http://h18000.www1.hp.com/products/quickspecs/12652_div/12652_div.html (Worldwide)	418800-B21
HP StorageWorks Modular Smart Array 500	HP StorageWorks 500 Modular Smart Array NOTE: Please see the Modular Smart Array 500 QuickSpecs for additional information including configuration steps and additional options needed for a complete solution at: http://h18000.www1.hp.com/products/quickspecs/11956_div/11956_div.html (Worldwide)	335880-B21

Options

Tape Drives

NOTE: For the complete listing of Tape Drive offerings, please see:
<http://www.hp.com/products1/storage/compatibility/tapebackup/ISS/index.html>

USB Tape Drives

HP StorageWorks 1U USB Rack-Mount Kit with one DAT 160 USB Tape Drive AG703A

SAS Tape Drives

NOTE: For the DL180 G5, HP recommends purchasing the HP SC44Ge HBA (416096-B21) for a dedicated SAS HBA for tape.

HP StorageWorks DAT 160 SAS Internal Tape Drive Q1587A

NOTE: HP recommends combining this tape drive with the 1U SAS Rack-Mount kit (AE459A) for a complete rack-mount solution.

HP StorageWorks LTO-2 Ultrium 448 SAS Internal Tape Drive DW085A

NOTE: HP recommends combining this tape drive with the 1U SAS Rack-Mount kit (AE459A) for a complete rack-mount solution.

HP StorageWorks LTO-3 Ultrium 920 SAS Internal Tape Drive EH847A

NOTE: HP recommends combining this tape drive with the 1U SAS Rack-Mount kit (AE459A) for a complete rack-mount solution.

HP StorageWorks 1U SAS Rack-mount kit with one LTO-4 Ultrium 1760 EH946A

NOTE: Please refer to the "Tape Drives, Tape Autoloaders & Tape Libraries" table in the Storage section of this document for a list of SAS controllers with tape support.

Ultrium Tape Drives

SCSI Tape Drives

HP StorageWorks LTO-1 Ultrium 232 Internal Tape Drive (Carbonite) DW064A

NOTE: HP recommends combining this tape drive with the 1U SCSI Rack-Mount kit (A7445B) for a complete rack-mount solution.

HP StorageWorks 1U SCSI Rack-mount kit with one LTO-2 Ultrium 448 SCSI Tape Drive (Carbonite) DW028B

HP StorageWorks 1U SCSI Rack-mount kit with one LTO-3 Ultrium 920 EH903A

HP StorageWorks 3U SCSI Rack-mount kit with one LTO-3 Ultrium 960 (Carbonite) Q1595B

HP StorageWorks 3U SCSI Rack-Mount with 1 LTO-4 Ultrium 1840 Tape Drive EH926A

NOTE: Please see the HP StorageWorks LTO Ultrium Tape Drive QuickSpecs for additional options such as controllers, media, and other related items:

http://h18006.www1.hp.com/products/quickspecs/11739_div/11739_div.html
(Worldwide)

http://h18006.www1.hp.com/products/quickspecs/12128_div/12128_div.html
(Worldwide)

For an up-to-date listing of the latest O/S and software support details for HP Ultrium tape drives, please visit: <http://www.hp.com/go/connect>.

Rack-Mount Tape Drive Enclosures

HP StorageWorks 1U SCSI Rack-Mount kit A7445B

NOTE: The 1U Rack-Mount Kit can support up to (2) half-height tape drives and is compatible with multiple Single-Ended and LVD SCSI tape drives including the DAT 40, DAT 72, DAT 160, DLT VS160, LTO-1 Ultrium 232, LTO-2 Ultrium 448, LTO-3 Ultrium 920 and LTO-4 Ultrium 1760 tape drives.

HP StorageWorks 1U USB Rack-Mount Kit A8007A

NOTE: The 1U USB Rack-Mount Kit can support up to (2) half-height tape drives and is compatible with the DAT 40 USB, DAT 72 USB and DAT 160 tape drives.

Options

HP StorageWorks 1U SAS Rack-Mount Kit	AE459A
NOTE: The 1U SAS Rack-Mount Kit can support up to (2) half-height tape drives and is compatible with the LTO-2 Ultrium 448 SAS and LTO-3 Ultrium 920 SAS and LTO-4 Ultrium 1760 SAS tape drives.	
HP StorageWorks 3U SCSI Rack-mount kit	274338-B22
NOTE: The 3U SCSI Rack-mount Kit can support up to (2) full-height or (4) half-height tape drives and is compatible with multiple LVD SCSI tape drives including DAT 40, DAT 72, DLT VS160, SDLT 600, LTO-1 Ultrium 232, LTO-2 Ultrium 460, LTO-2 Ultrium 448, LTO-3 Ultrium 920, LTO-3 Ultrium 960, LTO-4 Ultrium 1760 and LTO-4 Ultrium 1840 tape drives.	
HP StorageWorks 3U SAS Rack-mount Kit	AG576A
NOTE: The 3U Rack-mount Kit can support up to (2) full-height or (4) half-height tape drives and compatible with multiple SAS tape drives including DAT 160 SAS, LTO-2 Ultrium 448 SAS, LTO-3 Ultrium 920 SAS, LTO-4 Ultrium 1760 SAS and LTO-4 Ultrium 1840 SAS tape drives.	
NOTE: Please see the Rack-Mount Tape Drive Kits QuickSpecs for additional information regarding these kits: http://h18000.www1.hp.com/products/quickspecs/10854_div/10854_div.html (Worldwide)	

Disk-Based Backup

RDX Removable Disk Backup

HP StorageWorks RDX160 External Removable Disk Backup System	AJ766A
NOTE: 160GB of Disk Storage.	
HP StorageWorks RDX320 External Removable Disk Backup System	AJ768A
NOTE: 320GB of Disk Storage.	
NOTE: Please see the HP RDX Removable Disk Backup System QuickSpecs for additional information: http://h18000.www1.hp.com/products/quickspecs/13036_div/13036_div.html	

HP D2D Backup System

HP StorageWorks D2D120 Backup System	EH884A
NOTE: 2TB of Disk Storage.	
HP StorageWorks D2D120 Backup System with Data Protector Express Software Kit	EH924A
NOTE: 2TB of Disk Storage.	
HP StorageWorks D2D130 Backup System	EH950A
NOTE: 3TB of Disk Storage.	
HP StorageWorks D2D130 Backup System with Data Protector Express Software Kit	EH951A
NOTE: 3TB of Disk Storage.	
HP StorageWorks D2D130 Backup System with LTO-3 Ultrium 920 SAS Tape Drive	EH952A
NOTE: 3TB of Disk Storage.	
HP StorageWorks D2D2503i Backup System	EH945A
NOTE: 3TB of Disk Storage.	
HP StorageWorks D2D4004i Backup System	EH938A
NOTE: 4.5TB of Disk Storage.	
NOTE: Please see the HP D2D Backup Systems QuickSpecs for additional information: http://www.hp.com/go/d2d	

Options

Tape Autoloaders

HP StorageWorks DAT Autoloader

HP StorageWorks DAT 72x10 tape autoloader AE313B

HP StorageWorks 1/8 Tape Autoloader

HP StorageWorks 1/8 G2 LTO-4 Ultrium 1760 SAS Tape Autoloader AK377A

HP StorageWorks 1/8 G2 LTO-4 Ultrium 1760 SCSI Tape Autoloader AJ816A

HP StorageWorks 1/8 LTO-3 Ultrium 920 G2 Tape Autoloader AH165A

HP StorageWorks 1/8 G2 LTO-3 Ultrium 920 SAS Autoloader AH558A

HP StorageWorks 1/8 LTO-2 Ultrium 448 G2 Tape Autoloader AH164A

HP StorageWorks 1/8 LTO-1 Ultrium 232 G2 Tape Autoloader AH163A

HP StorageWorks 1/8 G2 Tape Autoloader Rack Kit AH166A

NOTE: Required to install the 1/8 G2 Autoloaders in a standard 19-inch rack; includes rails and rackmount instructions

NOTE: Please reference the Tape Autoloader QuickSpecs at:

<http://www.hp.com/go/automation> for additional information needed to create a complete solution; reference current compatibility information at:

<http://www.hp.com/go/ebs>.

Tape Libraries

HP StorageWorks MSL2024 Tape Library

HP StorageWorks MSL2024 1 LTO-4 Ultrium 1840 SCSI Drive Library AJ033A

HP StorageWorks MSL2024 1 LTO-4 Ultrium 1840 4GB FC Library AJ034A

HP StorageWorks MSL2024 1 LTO-4 Ultrium 1760 SAS Drive Library AK378A

HP StorageWorks MSL2024 1 LTO-4 Ultrium 1760 SCSI Drive Library AJ817A

HP StorageWorks MSL2024 1 LTO-3 Ultrium 960 SCSI Drive Library AG115A

HP StorageWorks MSL2024 1 LTO-3 Ultrium 960 4GB FC Library AG326B

HP StorageWorks MSL2024 1 LTO-3 Ultrium 920 SAS Drive Library AH559A

HP StorageWorks MSL2024 1 LTO-3 Ultrium 920 SCSI Drive Library AH169A

HP StorageWorks MSL2024 1 LTO-2 Ultrium 448 SCSI Drive Library AG116A

HP StorageWorks MSL4048 Tape Library

HP StorageWorks MSL4048 1 LTO-4 Ultrium 1840 SCSI Drive Library AJ035A

HP StorageWorks MSL4048 1 LTO-4 Ultrium 1840 4GB FC Library AJ036A

HP StorageWorks MSL4048 2 LTO-4 Ultrium 1760 SAS Drive Library AK380A

HP StorageWorks MSL4048 2 LTO-4 Ultrium 1760 SCSI Drive Library AJ818A

HP StorageWorks MSL4048 1 LTO-3 Ultrium 960 SCSI Drive Library AG322A

HP StorageWorks MSL4048 1 LTO-3 Ultrium 960 4GB FC Library AG324B

HP StorageWorks MSL4048 1 LTO-3 Ultrium 920 SAS Drive Library AH560A

HP StorageWorks MSL4048 1 LTO-3 Ultrium 920 SCSI Drive Library AH171A

HP StorageWorks MSL4048 1 LTO-2 Ultrium 448 SCSI Drive Library AG320A

NOTE: Please reference the MSL Tape Library QuickSpecs at:

<http://www.hp.com/go/automation> for additional information needed to create a complete solution; reference current compatibility information at:

<http://www.hp.com/go/ebs>.

Options

StorageWorks Options	NOTE: The following is a list of all Fibre Channel Host Bus Adapters for Windows and Linux. For detailed compatibility information please see: http://h18006.www1.hp.com/storage/saninfrastructure/hba.html .	
	HP StorageWorks 4 Gb PCI-X 2.0-to-Fibre Channel HBA	AB429A
	HP StorageWorks 4 Gb PCI-X 2.0 DC-to-Fibre Channel HBA	AE369A
	HP StorageWorks FC2142SR 4Gb PCI-E HBA	A8002A
	HP StorageWorks FC2242SR Dual Channel 4 Gb PCI-E HBA	A8003A
	HP StorageWorks FC1142SR 4Gb PCI-E HBA	AE311A
	HP StorageWorks FC1242SR Dual Channel 4 Gb PCI-E HBA	AE312A
	HP StorageWorks FC2143 4Gb PCI-X 2.0 HBA	AD167A
HP StorageWorks FC2243 4Gb PCI-X 2.0 DC HBA	AD168A	

USB Options	USB 1.44-MB External Diskette Drive	DC141B
	HP USB 2-Button Optical Scroll Mouse (Carbonite/Silver)	DC172B
	HP Keyboard (USB) standard 2004	DT528A#ABA
	HP 1GB USB 2.0 Floppy Drive Key	442085-B21
	HP 256MB USB 2.0 Floppy Drive Key	442084-B21
	HP USB Internal Cable Kit	451363-B21

HP KVM Switch Options	2x1x16 IP Console Switch with Virtual Media	AF601A
	4x1x16 IP Console Switch with Virtual Media	AF602A
	2x16 Server Console Switch with Virtual Media	AF600A
	PS/2 Virtual Media Interface Adapter, 1 pack	AF604A
	NOTE: Requires PS/2 and one USB port on server.	
	HP Server Console Switch (KVM), 0 x 1 x 8 port	336044-B21
	HP Server Console Switch (KVM), 0 x 2 x 16 port	336045-B21
	PS/2 Interface Adapter, 1 pack	262588-B21
	PS/2 Interface Adapter, 8 pack	262587-B21
	HP 1x4 Console Switch	AF611A
	HP PS2 Server Console Cable, 6 foot, 2-Pack	AF612A
	HP USB Server Console Cable, 6 foot, 2-Pack	AF613A
	NOTE: required for supporting USB peripherals.	
	NOTE: Cat5e cables are required to connect Interface Adapters to Console Switches. Cat5e cables can be found at the following URL: http://www.hp.com/go/kvm .	

HP Serial Console Server Options	HP 16 Port Serial Console Server (worldwide)	AF101A
	HP 48 Port Serial Console Server (worldwide)	AF102A
	Serial Adapter, RJ45-D89 DCE Female, 1-pack	AF103A
	Serial Adapter, RJ45-D89 DCE Female, 8-pack	AF110A
	NOTE: For additional information regarding KVM switches, Serial Console servers, rack mount monitors, keyboards and all related options please see the following URL: http://www.hp.com/go/kvm .	

Options

Service and Support Offerings (HP Care Pack Services)	Hardware Services 4-Hour On-site Service	
	13-Hour x 5-Day Coverage, 3 Years, Electronic	UH271E
	24-Hour x 7-Day Coverage, 3 Years, Electronic	UH272E
	Hardware Services Next Business Day On-Site Service	
	9-Hour x 5-Day Coverage, 3 Years, Electronic	UH270E
	Hardware Services 6-Hour Call to Repair On-Site Service	
	6-Hour Call to Repair, On-site Service, 7-Day x 24-Hour Coverage, 3 Years, Electronic	UH273E
	Hardware Installation, Electronic	UH301E

NOTE: For more information, customer/resellers can contact:
<http://www.hp.com/services/carepack>.

Memory

NOTE: Memory configurations listed do not apply to "Factory Integrated Models".

HP ProLiant DL180 G5 (all models)

Standard Memory

1 GB (1 x 1 GB) PC2-5300 Registered DIMM memory, with Advanced ECC Capabilities Memory installed.

Maximum Memory

Up to 16 GB memory is available with the optional installation of PC2-5300 Registered DIMM memory kits.

NOTE: Memory should be installed in pairs and matched for optimum performance.

NOTE: Chart does not represent all possible memory configurations.

NOTE: Only 1 dual rank 8GB kit can be populated.

Memory	Slot					
	1*	2*	3	4	5	6
Standard (1 GB)	1 GB	Empty	Empty	Empty	Empty	Empty
Maximum (16 GB)	4 GB	4 GB	2 GB	2 GB	2 GB	2 GB

* Indicates the right most DIMM slots when looking from the front.

Following are memory options available from HP:

1 GB REG PC2-5300 2 x 512 MB Single Rank Kit	408850-B21
1 GB REG PC2-5300 1 x 1 GB Kit	462483-B21
2 GB REG PC2-5300 2 x 1 GB Low Power Single Rank Kit	483399-B21
2 GB REG PC2-5300 2 x 1 GB Single Rank Kit	408851-B21
4 GB REG PC2-5300 2 x 2 GB Dual Rank Kit	408853-B21
4 GB REG PC2-5300 2 x2 GB Kit, Low Power, Single Rank Kit	461840-B21
8 GB REG PC2-5300 2 x 4 GB Dual Rank Kit	408854-B21
8 GB REG PC2-5300 2 x 4 GB Low Power Dual Rank Kit	483403-B21

NOTE: Dual Rank DIMMs are only supported in slots 1 and 2.

Storage



1-8 Eight 3.5" Hot Plug SAS/SATA Hard Drive Bays

9 DVD-ROM, DVD RW

Drive Support

Removable Media

	Quantity Supported	Position Supported	Controller
DVD-ROM	Up to 1	9	Integrated IDE (ATAPI) (optional)
DVD RW	Up to 1	9	Integrated IDE (ATAPI) (optional)

Hard Drives

SATA Hot Plug Midline (MDL) Drives

	Quantity Supported	Position Supported	Controller
1TB 3G 7.2K	Up to 8	1-8	HP Smart Array E200/128 BBWC Controller
750GB 3G 7.2K			HP Smart Array P400/256MB Controller
500GB 3G 7.2K			HP Smart Array E500/256MB Controller
250GB 3G 7.2K			HP Smart Array P800/512 BBWC Controller
			HP SC44Ge Host Bus Adapter
			HP SC11Xe Host Bus Adapter

SATA Hot Plug Enterprise (ENT) Drives

	Quantity Supported	Position Supported	Controller
160GB 3G 7.2K	Up to 8	1-8	HP Smart Array E200/128 BBWC Controller
			HP Smart Array P400/256MB Controller
			HP Smart Array E500/256MB Controller
			HP Smart Array P800/512 BBWC Controller
			HP SC44Ge Host Bus Adapter
			HP SC11Xe Host Bus Adapter

SAS Hot Plug Midline (MDL) Drives

	Quantity Supported	Position Supported	Controller
1TB 3G 7.2K	Up to 8	1-8	HP Smart Array E200/128 BBWC Controller
750GB 3G 7.2K			HP Smart Array P400/256MB Controller
			HP Smart Array E500/256MB Controller
			HP Smart Array P800/512 BBWC Controller
			HP SC44Ge Host Bus Adapter
			HP SC11Xe Host Bus Adapter

SAS Hot Plug Enterprise (ENT) Drives

Quantity Supported	Position Supported	Controller
--------------------	--------------------	------------

Storage

450GB 3G 7.2K	Up to 8	1-8	HP Smart Array E200/128 BBWC Controller
300GB 3G 7.2K			HP Smart Array P400/256MB Controller
146GB 3G 7.2K			HP Smart Array E500/256MB Controller
72GB 3G 7.2K			HP Smart Array P800/512 BBWC Controller
			HP SC44Ge Host Bus Adapter
			HP SC11Xe Host Bus Adapter

External Storage

	Quantity Supported	Position Supported	Controller
HP Storageworks MSA20 Enclosure	Up to 2 per SA 6402	External	Smart Array 6402 Controller
	Up to 4 per SA 6404		Smart Array 6404 Controller
HP Storageworks MSA30 D-B Enclosure	Up to 2 per SA 6402	External	Smart Array 6402 Controller
	Up to 4 per SA 6404		Smart Array 6404 Controller
HP Storageworks MSA50 Enclosure	Up to 2	External	HP Smart Array E500/256MB Controller
			HP Smart Array P800 Controller
			HP Smart Array P600 Controller
HP Storageworks MSA60 Enclosure	Up to 8 per SA P800	External	HP Smart Array E500/256MB Controller
			HP Smart Array P800 Controller
			HP Smart Array P600 Controller
HP Storageworks MSA70 Enclosure	Up to 4 per SA P800	External	HP Smart Array E500/256MB Controller
			HP Smart Array P800 Controller
			HP Smart Array P600 Controller

Tape and Disk-Based Backup

NOTE: For an up-to-date listing of the latest O/S Support details for each of the Tape Drives listed below, please see the following: <http://h18000.www1.hp.com/products/quickspecs/division/10233.html> (Worldwide)

NOTE: For an up-to-date listing of the latest O/S Support details for each of the Tape Autoloaders & Tape Libraries listed below, please see the following: <http://h18000.www1.hp.com/products/quickspecs/division/10809.html> (Worldwide)

NOTE: For complete listing of tape drive offerings see: <http://www.hp.com/products1/storage/compatibility/tapebackup/ISS/index.html>

NOTE: SAS Tape Drives: Connecting hard drive cage and SAS tape to the same SAS Controller using split cable (supplied with tape drive) deactivates 1 of the hard drive bays. Actual hard drive bay deactivated depends on where split cable plugs into SAS drive connector. Example: 3x SAS cable connector plugged into SAS drive connector (5-8) on the back of the hard drive cage would mean drive bay 8 is deactivated.

Position Supported	Controller	Controller Part Number
--------------------	------------	------------------------

Storage

HP StorageWorks SCSI Tape Drives, External LTO-1 Ultrium 232 LTO-2 Ultrium 448 LTO-2 Ultrium 460 LTO-3 Ultrium 920 LTO-3 Ultrium 960 LTO4 Ultrium 1760 LTO-4 Ultrium 1840 DAT 40 DAT 72 DAT 160 DLT VS160 SDLT 600 1U Rack-Mount Kit 3U Rack-Mount Kit	External	HP SC11Xe Host Bus Adapter	412911-B21
HP StorageWorks USB Tape Drives, External DAT 40 USB DAT 72 USB DAT 160 USB 1U USB Rack-Mount Kit	External	USB 2.0 Port	N/A
HP StorageWorks SAS Tape Drives, External DAT 160 SAS LTO-2 Ultrium 448 SAS LTO-3 Ultrium 920 SAS LTO-4 Ultrium 1760 SAS LTO-4 Ultrium 1840 SAS 1U Rack-Mount Kit	External	HP SC44Ge Host Bus Adapter	416096-B21
HP StorageWorks SCSI Tape Automation, External DAT 72x10 Autoloader 1/8 G2 Tape Autoloader MSL2024 MSL4048	External	HP SC11Xe Host Bus Adapter HP U320e SCSI Host Bus Adapter NOTE: Recommended for MSL tape libraries.	412911-B21 AH627A
HP StorageWorks SAS Tape Automation, External 1/8 G2 Autoloader MSL2024 MSL4048	External	HP SC44Ge Host Bus Adapter NOTE: Please visit http://www.hp.com/go/connect for details about minimum SAS controller firmware version and SAS cabling requirements.	416096-B21

Storage

HP StorageWorks Fibre Tape Automation, External MSL2024 MSL4048	External	Please consult the EBS connectivity matrix at: http://www.hp.com/go/ebs for detailed connectivity information.	N/A
HP StorageWorks RDX Removable Disk Backup System RDX160 RDX320	External	USB 2.0 Port	N/A
HP StorageWorks D2D Backup Systems D2D120 D2D130 D2D2503i D2D4004i	External	Embedded Network Controller	N/A

Power Specifications

750W Power Supply Spare Kit	451366-291, B21
Operational Input Voltage Range (Vrms)	90Vac to 264Vac full range
Frequency Range (Nominal) (Hz)	47 Hz to 63 Hz

Nominal Input Voltage (Vrms)	100	115	200	220	230	240
Max Rated Output Wattage Rating	750	750	750	750	750	750
Nominal Input Current (Arms)	9.1	7.9	4.3	4.0	3.8	3.7
Max Rated Input Wattage Rating (Watts)	893	888	872	862	862	862
Max. Rated VA (Volt-Amp)	911	906	890	880	880	880
Efficiency (%)	84	84.5	86	87	87	87
Power Factor	0.98	0.98	0.98	0.98	0.98	0.98
Leakage Current (mA)	<0.43	<0.50	<.0.90	<0.96	<1.00	<1.04
Maximum Inrush Current (A peak)	30A	30A	30A	30A	30A	30A
Maximum Inrush Current Duration (mS)	5mS	5mS	5mS	5mS	5mS	5mS

Optional Country Power Cords and Jumper Cords

WW	HP 2m 15A C20 C13 Universal Jumper Cord	AF590A
Brazil	HP 1.83m 10A C13 NBR14136 Power Cord	AF591A

Technical Specifications

System Unit	Dimensions (H x W x D) (with bezel)	3.44x 17.64 x 27.50 in (8.75 x 44.80 x 69.88cm)								
	Weight (approximate)	<table border="0"> <tr> <td>Maximum</td> <td>51.5 lb (19.22 kg)</td> </tr> <tr> <td colspan="2">(all hard drives, power supplies and processors installed)</td> </tr> <tr> <td>Minimum</td> <td>35.0 lb (13.06 kg)</td> </tr> <tr> <td colspan="2">(one hard drive, power supply and processor installed)</td> </tr> </table>	Maximum	51.5 lb (19.22 kg)	(all hard drives, power supplies and processors installed)		Minimum	35.0 lb (13.06 kg)	(one hard drive, power supply and processor installed)	
Maximum	51.5 lb (19.22 kg)									
(all hard drives, power supplies and processors installed)										
Minimum	35.0 lb (13.06 kg)									
(one hard drive, power supply and processor installed)										
	Input Requirements (per power supply)	<table border="0"> <tr> <td>Rated Line Voltage</td> <td>100 - 240 VAC</td> </tr> <tr> <td>Rated Input Current</td> <td>9.10 A (at 100 VAC), 4.5 A (at 200 VAC)</td> </tr> <tr> <td>Rated Input Frequency</td> <td>50 to 60 Hz</td> </tr> <tr> <td>Rated Input Power</td> <td>910 W (at 100 VAC), 900 W (at 200 VAC)</td> </tr> </table>	Rated Line Voltage	100 - 240 VAC	Rated Input Current	9.10 A (at 100 VAC), 4.5 A (at 200 VAC)	Rated Input Frequency	50 to 60 Hz	Rated Input Power	910 W (at 100 VAC), 900 W (at 200 VAC)
Rated Line Voltage	100 - 240 VAC									
Rated Input Current	9.10 A (at 100 VAC), 4.5 A (at 200 VAC)									
Rated Input Frequency	50 to 60 Hz									
Rated Input Power	910 W (at 100 VAC), 900 W (at 200 VAC)									
	BTU Rating	<table border="0"> <tr> <td>Maximum</td> <td>3107.82 BTU/hr (at 100 VAC), 3073.67 BTU/hr (at 200 VAC)</td> </tr> </table>	Maximum	3107.82 BTU/hr (at 100 VAC), 3073.67 BTU/hr (at 200 VAC)						
Maximum	3107.82 BTU/hr (at 100 VAC), 3073.67 BTU/hr (at 200 VAC)									
	Power Specifications	<p>To review typical system power ratings use the Power Calculator which is available via the online tool located at URL: http://h30099.www3.hp.com/configurator/calc/Power%20Calculator%20Catalog.xls</p> <ul style="list-style-type: none"> • Click on the system of interest. Example: DL180 G5 • Follow the instructions of the next screens. 								
	Power Supply Output (per power supply)	<table border="0"> <tr> <td>Rated Steady-State Power</td> <td>750 W (at 100 VAC), 750 W (at 200 VAC)</td> </tr> <tr> <td>Maximum Peak Power</td> <td>750 W (at 100 VAC), 750W (at 200 VAC)</td> </tr> </table>	Rated Steady-State Power	750 W (at 100 VAC), 750 W (at 200 VAC)	Maximum Peak Power	750 W (at 100 VAC), 750W (at 200 VAC)				
Rated Steady-State Power	750 W (at 100 VAC), 750 W (at 200 VAC)									
Maximum Peak Power	750 W (at 100 VAC), 750W (at 200 VAC)									
	System Inlet Temperature	<table border="0"> <tr> <td>Operating</td> <td>50° to 95°F (10° to 35°C) at sea level with an altitude derating of 1.8°F per every 1000 ft (1.0°C per every 305 m) above sea level to a maximum of 10,000 ft (3050 m), no direct sustained sunlight. Maximum rate of change is 18°F/hr (10°C/hr). The upper limit may be limited by the type and number of options installed. System performance may be reduced if operating with a fan fault or above 86°F (30°C).</td> </tr> <tr> <td>Non-operating</td> <td>-22° to 140° F (-30° to 60° C). Maximum rate of change is 36° F/hr (20° C/hr).</td> </tr> </table>	Operating	50° to 95°F (10° to 35°C) at sea level with an altitude derating of 1.8°F per every 1000 ft (1.0°C per every 305 m) above sea level to a maximum of 10,000 ft (3050 m), no direct sustained sunlight. Maximum rate of change is 18°F/hr (10°C/hr). The upper limit may be limited by the type and number of options installed. System performance may be reduced if operating with a fan fault or above 86°F (30°C).	Non-operating	-22° to 140° F (-30° to 60° C). Maximum rate of change is 36° F/hr (20° C/hr).				
Operating	50° to 95°F (10° to 35°C) at sea level with an altitude derating of 1.8°F per every 1000 ft (1.0°C per every 305 m) above sea level to a maximum of 10,000 ft (3050 m), no direct sustained sunlight. Maximum rate of change is 18°F/hr (10°C/hr). The upper limit may be limited by the type and number of options installed. System performance may be reduced if operating with a fan fault or above 86°F (30°C).									
Non-operating	-22° to 140° F (-30° to 60° C). Maximum rate of change is 36° F/hr (20° C/hr).									
	Relative Humidity (non-condensing)	<table border="0"> <tr> <td>Operating</td> <td>10 to 90% relative humidity (Rh), 82.4° F (28° C) maximum wet bulb temperature, non-condensing.</td> </tr> <tr> <td>Non-operating</td> <td>5 to 95% relative humidity (Rh), 101.7° F (38.7° C) maximum wet bulb temperature, non-condensing.</td> </tr> </table>	Operating	10 to 90% relative humidity (Rh), 82.4° F (28° C) maximum wet bulb temperature, non-condensing.	Non-operating	5 to 95% relative humidity (Rh), 101.7° F (38.7° C) maximum wet bulb temperature, non-condensing.				
Operating	10 to 90% relative humidity (Rh), 82.4° F (28° C) maximum wet bulb temperature, non-condensing.									
Non-operating	5 to 95% relative humidity (Rh), 101.7° F (38.7° C) maximum wet bulb temperature, non-condensing.									

Technical Specifications

Altitude	Operating	10,000 ft (3050 m). This value may be limited by the type and number of options installed. Maximum allowable altitude change rate is 1500 ft/min (457 m/min).
	Non-operating	30,000 ft (9144 m). Maximum allowable altitude change rate is 1500 ft/min (457 m/min).
Acoustic Noise	Listed are the declared A-Weighted sound power levels (LWAd) and declared average bystander position A-Weighted sound pressure levels (LpAm) when the product is operating in a 23°C ambient environment. Noise emissions were measured in accordance with ISO 7779 (ECMA 74) and declared in accordance with ISO 9296 (ECMA 109).	
	Idle	
	<i>LWAd</i>	6.7 B
	<i>LpAm</i>	51 dBA
	Operating	
	<i>LWAd</i>	6.7 B
	<i>LpAm</i>	51 dBA

Embedded NC105i PCIe Gigabit Server Adapter (Embedded)	Network Interface	Integrated 10/100/1000BASE-T Transceiver	
	Compatibility	Combines a triple-speed IEEE 802.3TM - Compliant Media Access Controller (MAC) with a triple-speed Ethernet transceiver.	
	Data Transfer Method	Compliant to x1 PCIe Specification	
	Network Transfer Rate	10Base-T (Half-Duplex)	10 Mb/s
		10Base-T (Full-Duplex)	20 Mb/s
		100Base-TX (Half-Duplex)	100 Mb/s
		100Base-TX (Full-Duplex)	200 Mb/s
1000Base-TX (Half and Full-Duplex)		2000 Mb/s	
Connector	RJ-45		
Cable Support	Performs all the physical layer functions for 10BASE-T, 100BASE-T, and 1000BASE-T Ethernet on standard Category 5 UT		

Environment-friendly Products and Approach	End-of-life Management and Recycling	<p>Hewlett-Packard offers end-of-life HP product return, trade-in, and recycling programs in many geographic areas. For trade-in information, please go to: http://www.hp.com/go/green. To recycle your product, please go to: http://www.hp.com/go/green or contact your nearest HP sales office. Products returned to HP will be recycled, recovered or disposed of in a responsible manner.</p> <p>The EU WEEE directive (2002/95/EC) requires manufacturers to provide treatment information for each product type for use by treatment facilities. This information (product disassembly instructions) is posted on the Hewlett Packard web site at: http://www.hp.com/go/green. These instructions may be used by recyclers and other WEEE treatment facilities as well as HP OEM customers who integrate and re-sell HP equipment.</p>
---	---	--

Technical Specifications

© Copyright 2008 Hewlett-Packard Development Company, L.P.

The information contained herein is subject to change without notice.

Microsoft and Windows NT are US registered trademarks of Microsoft Corporation.

Intel, the Intel logo, Xeon and Xeon Inside are trademarks of Intel Corporation in the U.S. and other countries.

The only warranties for HP products and services are set forth in the express warranty statements accompanying such products and services. Nothing herein should be construed as constituting an additional warranty. HP shall not be liable for technical or editorial errors or omissions contained herein.

For hard drives, 1GB = 1 billion bytes. Actual formatted capacity is less.

Free Manuals Download Website

<http://myh66.com>

<http://usermanuals.us>

<http://www.somanuals.com>

<http://www.4manuals.cc>

<http://www.manual-lib.com>

<http://www.404manual.com>

<http://www.luxmanual.com>

<http://aubethermostatmanual.com>

Golf course search by state

<http://golfingnear.com>

Email search by domain

<http://emailbydomain.com>

Auto manuals search

<http://auto.somanuals.com>

TV manuals search

<http://tv.somanuals.com>