

HP ProLiant BL480c Server Blade Installation Instructions



Overview

Installation of a server blade requires the following steps:

1. Install and configure an HP BladeSystem c-Class enclosure.
2. Install any server blade options.
3. Install interconnect modules in the enclosure.
4. Connect the interconnect modules to the network.
5. Install a server blade.
6. Complete the server blade configuration.

For definitions of the acronyms used in this document, refer to "Acronyms and abbreviations" in the server blade user guide.

Installing an HP BladeSystem c-Class enclosure

Before performing any server blade-specific procedures, install an HP BladeSystem c-Class enclosure.

The most current documentation for server blades and other HP BladeSystem components is available at the HP website (<http://www.hp.com/go/bladepystem/documentation>).

Documentation is also available in the following locations:

- Documentation CD that ships with the enclosure
- HP Business Support Center website (<http://www.hp.com/support>)
- HP Technical Documentation website (<http://docs.hp.com>)

Installing server blade options

Before installing and initializing the server blade, install any server blade options, such as an additional processor, hard drive, or mezzanine card. For server blade options installation information, see the *HP ProLiant BL480c Server Blade User Guide* on the Documentation CD or on the HP website (<http://www.hp.com/go/bladepystem/documentation>).

Installing interconnect modules

For specific steps to install interconnect modules, see the documentation that ships with the interconnect module.

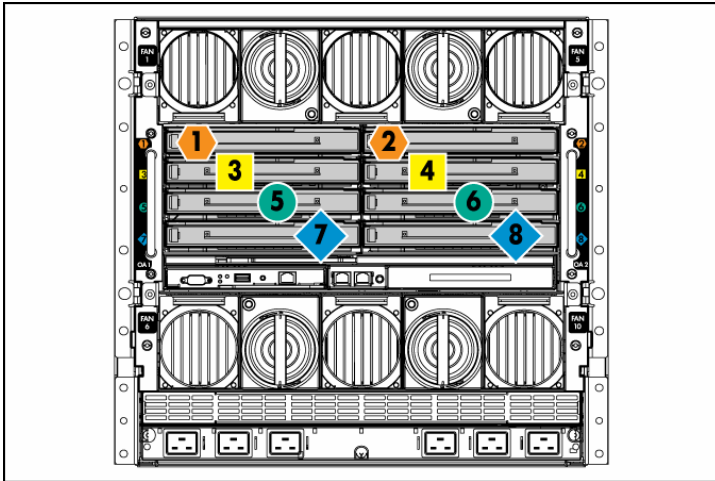
© Copyright 2006 Hewlett-Packard Development Company, L.P.

The information contained herein is subject to change without notice. The only warranties for HP products and services are set forth in the express warranty statements accompanying such products and services. Nothing herein should be construed as constituting an additional warranty. HP shall not be liable for technical or editorial errors or omissions contained herein.

March 2006 (First Edition)
Part Number 408710-001

Interconnect device mapping

To support network connections for specific signals, install an interconnect module in the bay corresponding to the embedded NIC or mezzanine signals.



Server blade signal	Interconnect bay	Interconnect bay labels
NIC 1 (Embedded)	1	Orange diamond
NIC 2 (Embedded)	2	Orange diamond
NIC 3 (Embedded)	1	Orange diamond
NIC 4 (Embedded)	2	Orange diamond
Mezzanine 1	3 and 4	Yellow square
Mezzanine 2	5 and 6	Green circle
	7 and 8	Blue diamond
Mezzanine 3	7 and 8	Blue diamond
	5 and 6	Green circle

For detailed port mapping information, see the HP BladeSystem enclosure installation poster or the HP BladeSystem enclosure setup and installation guide on the HP website (<http://www.hp.com/go/bladesystem/documentation>).

Connecting to the network

To connect the HP BladeSystem to a network, each enclosure must be configured with network interconnect devices to manage signals between the server blades and the external network.

Two types of interconnect modules are available for HP BladeSystem c-Class enclosures: Pass-thru modules and switch modules. For more information about interconnect module options, see the HP website (<http://www.hp.com/go/bladesystem/interconnects>).

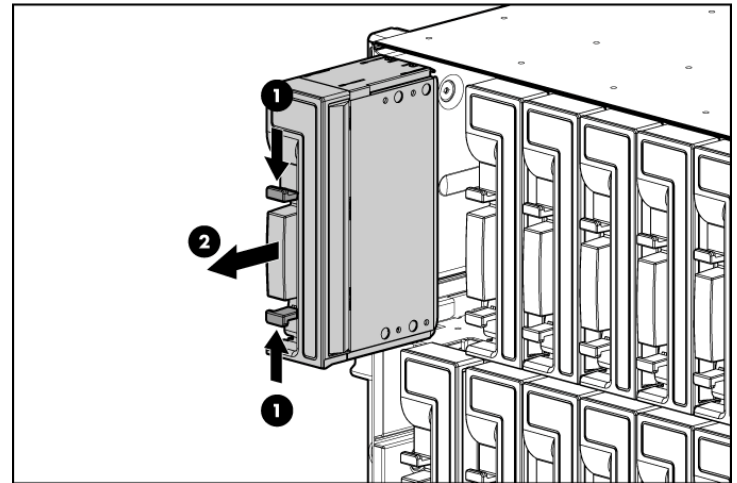
Installing a server blade

The HP BladeSystem c7000 Enclosure ships with four device bay shelves to support half-height devices. To install a full-height device, remove the device bay shelf and the corresponding blanks.

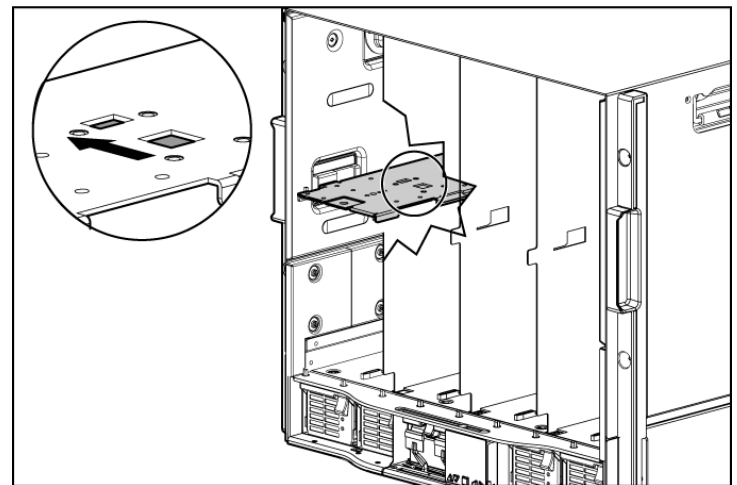
CAUTION: To prevent improper cooling and thermal damage, do not operate the server blade or the enclosure unless all hard drive and device bays are populated with either a component or a blank.

To install a server blade:

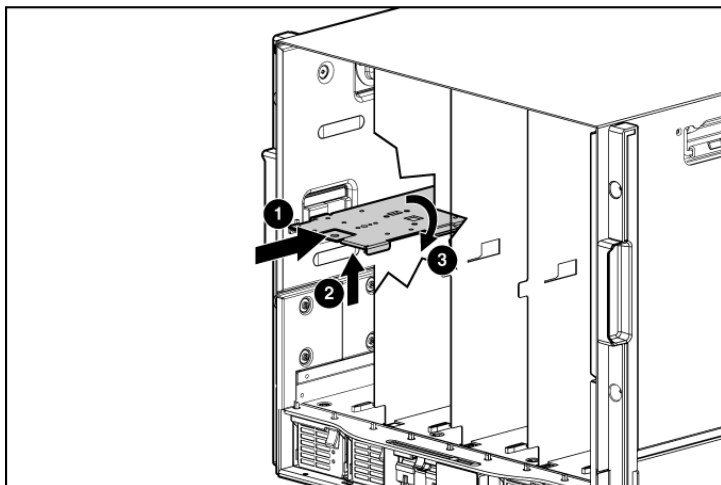
1. Remove the blank.



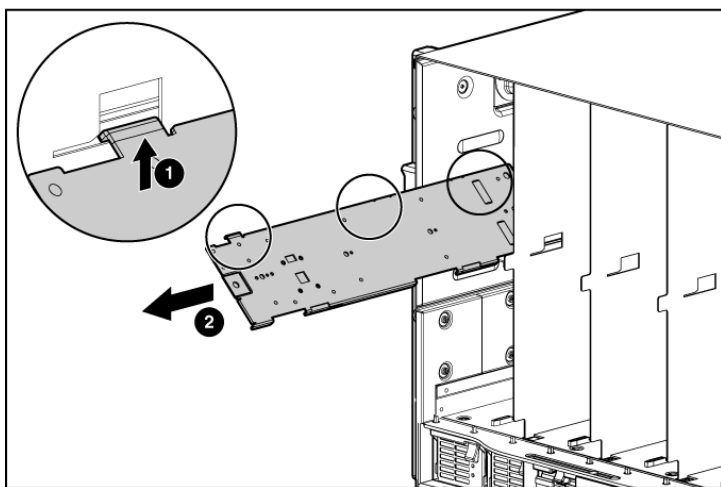
2. Remove the three adjacent blanks.
3. Slide the device bay shelf locking tab to the left to open it.



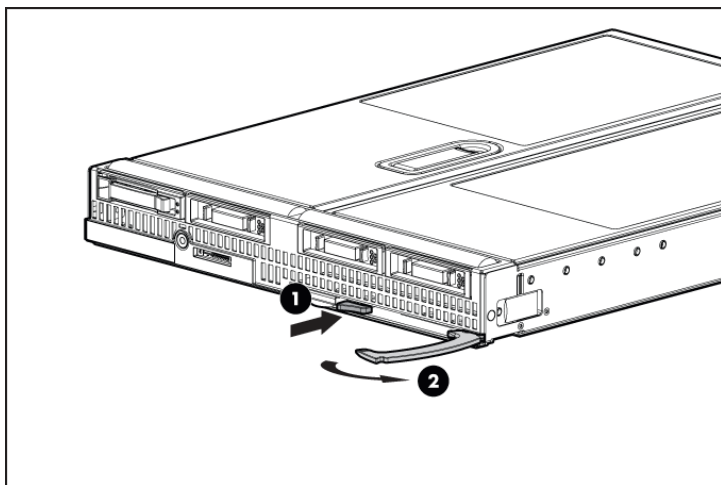
4. Push the device bay shelf back until it stops, lift the right side slightly to disengage the two tabs from the divider wall, then rotate the right edge downward (clockwise).



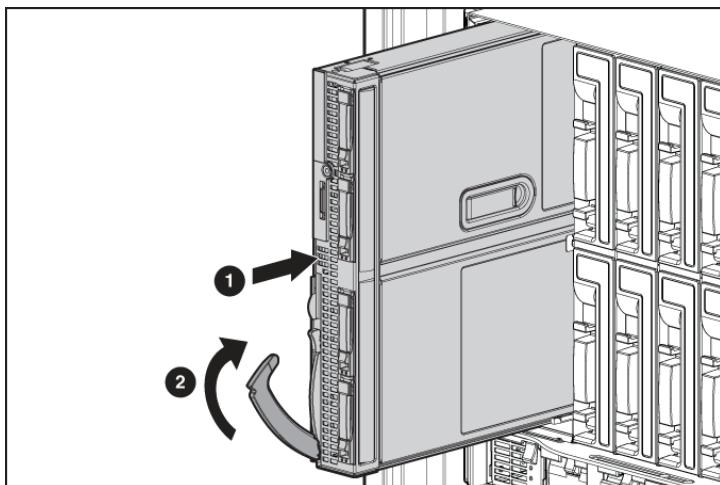
5. Lift the left side of the device bay shelf to disengage the three tabs from the divider wall, and then remove it from the enclosure.



6. Prepare the server blade for installation.



7. Install the server blade.



CAUTION: To prevent improper cooling and thermal damage, do not operate the server blade or the enclosure unless all hard drive and device bays are populated with either a component or a blank.

8. Install blanks in any empty bays. For more information, see the enclosure setup and installation guide.

Completing the configuration

To complete the server blade and HP BladeSystem configuration, see the overview card that ships with the enclosure.

Free Manuals Download Website

<http://myh66.com>

<http://usermanuals.us>

<http://www.somanuals.com>

<http://www.4manuals.cc>

<http://www.manual-lib.com>

<http://www.404manual.com>

<http://www.luxmanual.com>

<http://aubethermostatmanual.com>

Golf course search by state

<http://golfingnear.com>

Email search by domain

<http://emailbydomain.com>

Auto manuals search

<http://auto.somanuals.com>

TV manuals search

<http://tv.somanuals.com>