

## WSK-24 Wireless Occupancy Solution

### INSTALLATION INSTRUCTIONS



that the room is unoccupied it closes a dry contact switch. After the thermostat or controller recognizes the contact closure, it places the thermostat in economy setback mode, which provides energy savings for when the room is unoccupied.

### FEATURES

- **Wireless system provides quick and easy installation**
- **Pre-configured door sensor and occupancy sensor**
- **Guest comfort is maintained by never turning off HVAC equipment when someone is in the room – even if they are sleeping**
- **Fuse protection**
- **Long battery life**
- **Low battery indication**
- **Receiver memory retained after power loss**
- **Optional sliding door/window sensor can be easily added**

### PRODUCT DESCRIPTION

The WSK-24 Wireless Occupancy Solution automatically controls HVAC equipment by determining when a room is occupied. The WSK-24 uses the combination of an occupancy sensor and a door switch to provide optimal control. The WSK-24 is packaged in a kit that includes the following components:

- One 24V dry contact receiver
- One wireless PIR (passive infrared receiver) occupancy sensor with mounting kit
- One wireless door sensor with mounting kit
- One wiring harness.

The receiver can be wired into any thermostat or controller that supports the connection of a remote setback device. The receiver communicates wirelessly to a PIR occupancy sensor, a door sensor, and an optional 2<sup>nd</sup> door/window sensor. After the receiver determines

### Contents

Product Description .....	1
Features .....	1
Ordering Information .....	2
Specifications .....	2
Installation .....	3
Thermostat Configuration .....	3
Wiring .....	3
Setting the Delay on the Receiver .....	4
Mounting .....	4
Battery Replacement .....	6
Operation .....	6
Door (Zone 1) and PIR Occupancy Motion Sensor (Zone 2) .....	6
Optional Sliding Door/Window Sensor (Zone 3) .....	6
Sensor Discovery .....	7
System Testing .....	7
Front Door Sensor & PIR Sensor .....	7
2nd Door Sensor .....	7
Limited Two-Year Warranty .....	8
Customer Assistance .....	8



## ORDERING INFORMATION

When purchasing replacement and modernization products from your TRADELINE® wholesaler or distributor, refer to the TRADELINE® catalog or price sheets for complete ordering number. Orders can also be placed at <http://customer.honeywell.com>.

If you have additional questions, need further information, or would like to comment on our products or services, please write or phone:

1. Your local Honeywell Automation and Control Products sales office (check the white pages of your phone directory).
2. Honeywell Customer Care  
1885 Douglas Drive North  
Minneapolis, Minnesota 55422-4386  
(763) 954-5720
3. In Canada—Honeywell Limited/Honeywell Limitée,  
35 Dynamic Drive, Toronto, Ontario M1V 4Z9.

International sales and service offices are located in all principal cities of the world. Manufacturing is in Australia, Canada, Finland, France, Germany, Japan, Mexico, the Netherlands, Spain, Taiwan, United Kingdom, and U.S.A.

## SPECIFICATIONS

### Operating Temperature:

**Receiver:** -21 to 60°C (-5 to 140°F)

**Door Sensor<sup>a</sup>:** -20 to 60°C (-4 to 140°F)

**PIR Sensor:** -20 to 40°C (-4 to 104°F)

### Power Supply:

**Receiver:** 24 Vac/Vdc at 50/60 Hz; Standby power consumption 15 mA; Channel 1 relay output, N.O.

**Door Sensor<sup>a</sup>:** Two CR2032 lithium batteries

**PIR Sensor:** Three AAA E92 1.5V alkaline batteries

### Battery Life:

**Door Sensor<sup>a</sup>:** Two years (under normal usage)

**PIR Sensor:** One year (under normal usage)

### Receiver Operating Frequency:

**Receiver:** 433.92 MHz

**Door Sensor<sup>a</sup>:** 433.92 MHz

**PIR Sensor:** 433.92 MHz

### Receiver Frequency Range:

- With antenna exposed:
  - Open Range: 200 ft.
  - Typical Range: 100 ft.
- With antenna coiled inside receiver:
  - Open Range: 50 ft.
  - Typical Range: 40 ft.

### PIR Detection Pattern:

**Length:** 3 to 8 meters when mounted 2 meters above the floor (see Fig. 1)

**Angle:** 140 degrees (see Fig. 2)

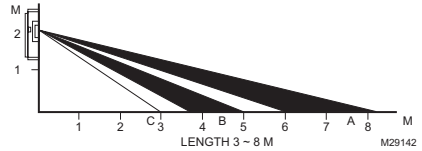


Fig. 1. Side view of PIR detection pattern.

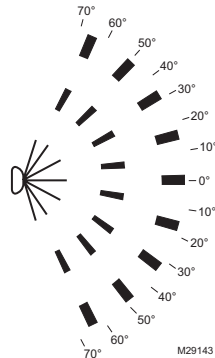


Fig. 2. Top view of PIR detection pattern.

### Dimensions:

**Door Sensor<sup>a</sup>:** 1.4 x 2.3 x 0.6 in (35.8 x 57.6 x 15.2 mm)

**Receiver:** 3.6 x 3.4 x 1.2 in (91.4 x 86.4 x 30.5 mm)

**PIR Sensor:** 2.8 x 3.9 x 1.1 in (71 x 100 x 28 mm)

### Approvals: FCC Part 15 Class B

### Accessories:

- 50037735-001: Optional Sliding Door/Window Sensor

### Replacement Parts:

- 50037737-001: Wireless Receiver
- 50037736-001: Wireless PIR Occupancy Sensor

<sup>a</sup> and 50037735-001, the optional sliding door/window sensor

# INSTALLATION

## When Installing this Product...

1. Read these instructions carefully. Failure to follow them could damage the product or cause a hazardous condition.
2. Check the ratings given in the instructions and on the product to make sure the product is suitable for your application.
3. Installer must be a trained and experienced service technician.

### WARNING

**Risk of electrical shock. Can cause severe injury, property damage or death.**  
 Disconnect power supply before installation and before servicing.

#### IMPORTANT

*The thermostat may be a line voltage powered device. All wiring must comply with national and local electrical codes, ordinances and regulations.*

*The WSK-24 must be powered by an Approved 24 Vac, Class 2, NEMA rated transformer.*

## Thermostat Configuration

Refer to the thermostat's installation instructions for programming, mounting, and wiring the thermostat.

The receiver has a normally open dry contact relay. Therefore, the thermostat should be set so that the relay on the thermostat is normally closed.

Use Table 2 or Table 1 to determine the desired Installer Codes for the thermostat being used with the WSK-24.

**Table 1. MultiPRO™ Installer Setup Codes.**

IS Code	Code Description	Option Value	Option Description
0160	Schedule Options	0	Non-Programmable
0340 (Non-program mable)	Remote Temp Sensor/Remote Setback/ Changeover Input	5	Remote Setback
		0	No Delay
0341	Delay for Remote Setback	2	Two Minute Delay
		0	No Override during unoccupied
0342	Override Option	1	Override during unoccupied
		50-65	Range is 50 to 65°F (10 to 18°C)
0343	Unoccupied Heating Setpoint	75-90	Range is 75 to 90°F (24 to 30°C)
0346	Unoccupied Cooling Setpoint		

**Table 2. SuitePRO™ Installer Setup (IS) Codes.**

IS Code	Code Description	Option Value	Option Description
19	Remote Setback	2	Hotel Card enabled N.C. with 1 second software delay going from UnOccupied to Occupied; 2 minute delay going from Occupied to UnOccupied.
		4	Hotel Card enabled N.C. with 1 second software delay going from UnOccupied to Occupied; 30 minute delay going from Occupied to UnOccupied.
20	Remote Setback for Heating	50-70	Range is 50 to 70°F (10 to 21°C)
21	Remote Setback for Cooling	72-90	Range is 72 to 90°F (22 to 32°C)

## Wiring

### Prepare Thermostat for Receiver Wiring

Turn off the thermostat and remove the power source from the thermostat.

### WARNING

**Risk of electrical shock. Can cause severe injury, property damage or death.**  
 Disconnect power supply before servicing.

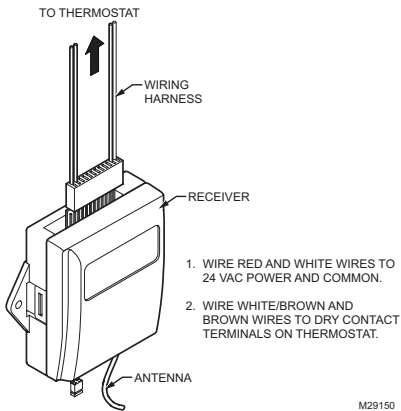
### CAUTION

**Equipment Damage Hazard. Improper removal can damage the thermostat.**  
 Carefully follow the thermostat removal directions.

## Receiver and Thermostat Terminal Wiring

**Table 3. Wiring Designations**

Receiver Harness Wire	Typical Thermostat Terminals	Connection
Red	R	24 Vac Power
White	C	24 Vac Common
White/ Brown	Sc	Dry Contact; Normally Open
Brown	Sb	Dry Contact; Common



**Fig. 3. Receiver and wiring harness.**

Using Table 3 on page 3 and Fig. 3, wire the harness to the thermostat and connect the harness to the receiver.

1. Wire the red and white power leads on the wiring harness into the power terminals on the thermostat.
2. Wire the white/brown and brown dry contact leads on the wiring harness into the remote setback terminals on the thermostat.
3. Plug the wiring harness into the receiver. The harness is keyed and fits only one way.
4. Supply power to the thermostat.
5. The LED on the receiver flashes twice to show it has power.
6. Continue with "Setting the Delay on the Receiver".

## Setting the Delay on the Receiver

Refer to Fig. 4 and position the jumper to the desired delay option:

Position the jumper near the pushbutton:

- Front Door - 3 minute delay
- 2nd optional door - 1 minute delay

Position the jumper away from the pushbutton (default position):

- Front Door - 15 second delay
- 2nd optional door - 1 minute delay

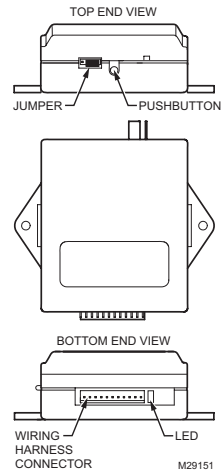
The receiver delay and the delay that is programmed in the thermostat will be combined to provide an overall delay.

## Mounting

### Mounting the Receiver

The receiver can be mounted behind the thermostat in the wall, inside the fan coil unit, or mounted on the wall.

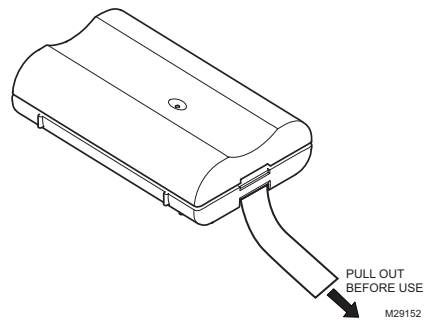
Mounting screws or double-sided adhesive tape can be used to mount the receiver.



**Fig. 4. Receiver components.**

## Mounting the Door Sensor

1. Remove battery tab before installation. See Fig. 5.



**Fig. 5. Battery tab removal.**

2. Remove the plastic mounting bracket from the door sensor housing.
3. Place the mounting bracket for the door sensor high on the frame of the front door. Secure the bracket to the door frame by using the two screws or adhesive tape provided. See Fig. 6 on page 5.

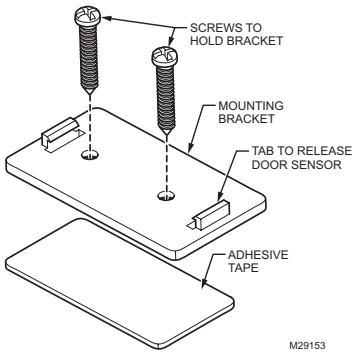


Fig. 6. Door sensor bracket mounting.

4. Make sure the notched side of the door sensor is pointing in the direction that you will mount the magnet. See Fig. 7 and Fig. 8.

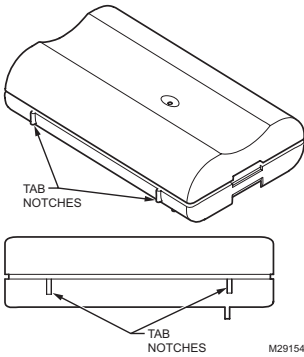
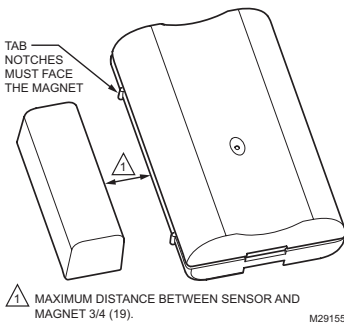


Fig. 7. Door sensor tab notches.

5. Snap the sensor in place.
6. Align one end of the magnet with the notched side of the door sensor housing.
7. Mount the magnet a maximum of 3/4 in. (19 mm) from the door sensor, as illustrated in Fig. 8.



△ MAXIMUM DISTANCE BETWEEN SENSOR AND MAGNET 3/4 (19).

Fig. 8. Maximum distance between door sensor and magnet.

8. Secure the magnet to the door by using the two screws or adhesive tape provided. An optional spacer is provided, as well. See Fig. 9.

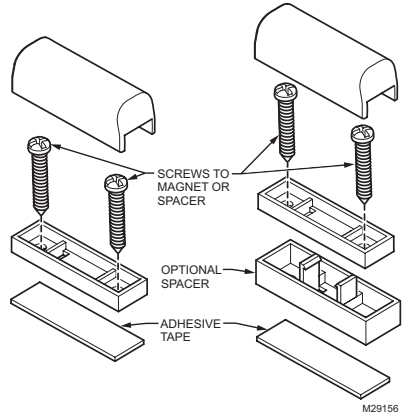


Fig. 9. Door magnet mounting options.

9. Open and close the door to ensure that there is no interference.

CHECK THE DOOR SENSOR FUNCTION

1. Open the door and verify that the LED on the door sensor flashes three times when the contact is opened.
2. Close the door and verify that the LED on the door sensor flashes another three times.

Mounting the PIR Occupancy Motion Sensor

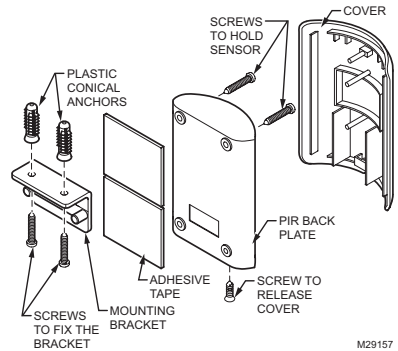


Fig. 10. PIR occupancy motion sensor mounting options.

1. Take off the cover by removing the cover release screw on the bottom of the PIR back plate.
2. Power the PIR sensor by inserting the three AAA batteries provided. See Fig. 12 for proper battery orientation.
3. Secure the PIR sensor to the wall using one of the following three options

- Wall Mount option 1: Use the adhesive tape to secure the PIR back plate to the wall.
  - Wall mount option 2: Using either the top or bottom two holes of the PIR back plate, insert the two long screws to secure the PIR back plate to the wall.
  - Ceiling mount option: Align the mounting bracket and PIR back plate as shown in Fig. 10. Insert the two small screws into the top holes of the back plate and secure it to the bracket. Use the two long screws (and, if necessary, the optional plastic anchors) and mount the bracket and PIR back plate to the ceiling.
- Replace the PIR sensor cover and replace the cover release screw on the bottom of the sensor.

#### CHECK THE PIR OCCUPANCY MOTION SENSOR FUNCTION

- Create motion in front of the PIR sensor and verify that its LED flashes three times when motion is detected.
  - The PIR sensor continues to flash while motion is detected.
- Cover the PIR sensor and verify that its LED stops flashing.
- Uncover the PIR sensor.

## Battery Replacement

For correct battery replacement, note the battery polarity orientations in Fig. 11 and Fig. 12.

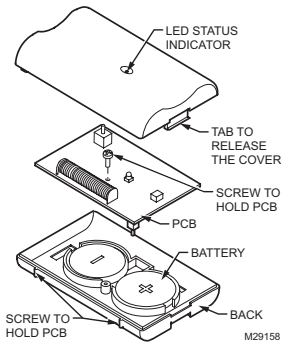


Fig. 11. Door sensor battery replacement.

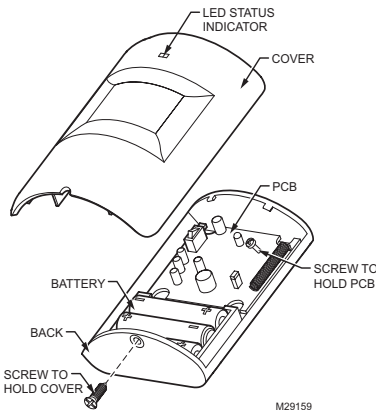


Fig. 12. PIR occupancy sensor battery replacement.

## Low-Battery Indication

When a low battery condition is detected in the door sensor or the PIR occupancy sensor, the LED status indicator on the device flashes for four (4) seconds.

## OPERATION

### Door (Zone 1) and PIR Occupancy Motion Sensor (Zone 2)

The door sensor and PIR occupancy motion sensor are packaged factory-configured to the receiver. There is no need for the receiver to discover these sensors. The door and PIR sensors wirelessly connect to the receiver right out of the box. Simply wire and mount the receiver and sensors and the system will work properly.

When the door is opened and then closed, a signal is sent to the PIR sensor to begin looking for motion. As soon as the PIR senses someone is in the room, the receiver clicks the relay to turn the thermostat back into the occupied setpoints. If the person does not leave the room, the thermostat will always stay in the occupied mode, regardless if the PIR sensor stops sensing motion. This provides a comfortable environment for guests and ensures that the HVAC equipment does not turn off while guests are sleeping.

When a guest opens and closes the door and leaves the room, the PIR sensor starts looking for motion again. If the PIR sensor does not sense motion, the receiver closes the relay after 15 seconds or 3 minutes (depending on how the jumper is positioned) and the thermostat goes into the unoccupied economy mode. The overall delay depends on the delay that is programmed in the thermostat.

The PIR sensor always overrides the unoccupied economy mode, as soon as it senses motion. For example, if there are two guests in the room and guest A is in the bathroom while guest B leaves the room, the thermostat goes into economy setback mode if no motion is detected. As soon as guest A leaves the bathroom and enters the main room, the PIR senses motion and returns the thermostat to normal operation. The thermostat continues in normal operation until someone opens and closes the front door and the PIR stops sensing motion.

### Optional Sliding Door/Window Sensor (Zone 3)

Because the sliding door/window sensor is an optional accessory, the receiver needs to discover this new zone. After the sliding door/window sensor is powered, follow these steps to add the optional sliding door/window sensor. It is easiest to do this before the sensor is mounted.

**NOTE:** The sliding door/window sensor is identical to the door sensor supplied with the WSK-24 Wireless Occupancy Solution.

- Remove the battery tab from the sliding door/window sensor. See Fig. 5 on page 4.
- Make sure the sliding door/window sensor and magnet are close to each other, within 3/4 in. (19 mm), and that the tab notches on the sensor face the magnet. See Fig. 8 on page 5.

3. At the receiver and press the black pushbutton three times for Zone 3 (see Fig. 4 on page 4). The red LED on the opposite side of the receiver will flash three times. See Fig. 4 on page 4 for location of the pushbutton and LED.
4. Open and close Zone 3 by moving the magnet away from the sliding door/window sensor and bringing it back to contact. The red LED on the receiver will flash another 3 times to indicate that Zone 3 is discovered.
5. Mount the sliding door/window sensor and magnet using the same mounting procedure as described in "Mounting the Door Sensor" on page 4.

After the sliding door or window is opened and left open for longer than 1 minute, the receiver closes the relay and the thermostat goes into the unoccupied economy mode. The overall delay depends on the delay that is programmed in the thermostat. The occupant cannot change the thermostat settings while the sliding door or window is open. As soon as the sliding door or window is closed, the thermostat returns to normal operation.

## SENSOR DISCOVERY

**NOTE:** The WSK-24 Wireless Occupancy Solution comes with the front door sensor and the PIR occupancy motion sensor already discovered by the receiver. There should be no need to rediscover these devices. However, this information is provided for troubleshooting purposes.

### Deleting all Sensors

1. Press and hold the black pushbutton (see Fig. 4 on page 4) on the receiver for six (6) seconds.
2. The red LED on the receiver flashes once to confirm that all sensors have been deleted.

### Adding Zone 1 (Door Sensor)

1. Make sure the PIR sensor is covered.
2. Make sure the door contact is closed.
3. Press the black pushbutton on the receiver one time. The red LED on the receiver flashes once.
4. Now activate the door sensor by removing the magnet. The red LED on the receiver flashes once to confirm the device has been discovered.
5. Uncover the PIR sensor.

### Adding Zone 2 (PIR Occupancy Motion Sensor)

1. Make sure the PIR sensor is covered.
2. Press the black pushbutton on the receiver two times. The red LED on the receiver flashes twice.
3. Now activate the PIR sensor by uncovering the sensor and moving in front of it. The red LED on the receiver flashes twice to confirm the device has been discovered.

### Adding Zone 3 (Optional Sliding Door/Window Sensor)

1. Make sure the PIR sensor is covered.
2. Make sure the sliding door/window contact is closed.
3. Press the black pushbutton on the receiver three times. The red LED on the receiver flashes three times.
4. Now activate the sliding door/window sensor by removing the magnet. The red LED on the receiver flashes three times to confirm the device has been discovered.
5. Uncover the PIR sensor.

## SYSTEM TESTING

Perform the following to test the sensors.

### Front Door Sensor & PIR Sensor

1. Position the jumper away from the pushbutton to set the minimal time delay (15 seconds).
2. Cover the PIR sensor so it cannot sense motion.
3. Open and close the front door sensor. The receiver closes its relay after 15 seconds, and you will hear the relay click on the receiver.
4. Wait for the thermostat to go into unoccupied mode. The overall delay will depend on the additional time delay that is configured in the thermostat.
5. Uncover the PIR sensor so that it can now sense motion.
6. The receiver opens the relay and the thermostat returns to occupied mode immediately.
7. Position the jumper back to the desired time delay. (See "Setting the Delay on the Receiver" on page 4.)

### 2nd Door Sensor

1. Open the 2nd door sensor. The receiver closes its relay after 1 minute, and you will hear the relay click on the receiver.
2. Wait for the thermostat to go into unoccupied mode. The overall delay depends on the additional time delay that is configured in the thermostat.
3. Keep the door open and move in front of the PIR sensor so that it can sense motion. The thermostat should remain in the unoccupied mode.
4. Close the 2nd door sensor. The receiver opens its relay and the thermostat returns to occupied mode immediately.

## LIMITED TWO-YEAR WARRANTY

Honeywell warrants this product, excluding battery, to be free from defects in the workmanship or materials, under normal use and service, for a period of two (2) years from the date of purchase by the consumer. If, at any time during the warranty period, the product is defective or malfunctions, Honeywell shall repair or replace it (at Honeywell's option) within a reasonable period of time.

If the product is defective,

- (i) return it, with a bill of sale or other dated proof of purchase, to the retailer from which you purchased it, or
- (ii) package it carefully, along with proof of purchase (including date of purchase) and a short description of the malfunction, and mail it, postage prepaid, to the following address:

Honeywell Return Goods  
Dock 4 - MN10-3860  
1885 Douglas Dr. N  
Golden Valley, MN 55422

This warranty does not cover removal or reinstallation costs. This warranty shall not apply if it is shown by Honeywell that the defect or malfunction was caused by damage which occurred while the product was in the possession of a consumer.

Honeywell's sole responsibility shall be to repair or replace the product within the terms stated above. HONEYWELL SHALL NOT BE LIABLE FOR ANY LOSS OR DAMAGE OF ANY KIND, INCLUDING ANY INCIDENTAL OR CONSEQUENTIAL DAMAGES RESULTING, DIRECTLY OR INDIRECTLY, FROM

ANY BREACH OF ANY WARRANTY, EXPRESS OR IMPLIED, OR ANY OTHER FAILURE OF THIS PRODUCT. Some states do not allow the exclusion or limitation of incidental or consequential damages, so this limitation may not apply to you.

THIS WARRANTY IS THE ONLY EXPRESS WARRANTY HONEYWELL MAKES ON THIS PRODUCT. THE DURATION OF ANY IMPLIED WARRANTIES, INCLUDING THE WARRANTIES OF MERCHANTABILITY AND FITNESS FOR A PARTICULAR PURPOSE, IS HEREBY LIMITED TO THE TWO YEAR DURATION OF THIS WARRANTY. Some states do not allow limitations on how long an implied warranty lasts, so the above limitation may not apply to you.

This warranty gives you specific legal rights, and you may have other rights which vary from state to state.

If you have any questions concerning this warranty, please write Honeywell Customer Relations, 1985 Douglas Dr., Golden Valley, MN 55422 or call 1-800-468-1502, Monday-Friday, 7:00 a.m. to 5:30 p.m., Central time. In Canada, write Retail Products ON15-02H, Honeywell Limited/Honeywell Limitée, 35 Dynamic Drive, Scarborough, Ontario M1V4Z9.

## CUSTOMER ASSISTANCE

If you have any questions about the operation of your thermostat or this system, please go to <http://customer.honeywell.com>

MultiPro™ and SuitePro™ are trademarks of Honeywell International Inc..

### Automation and Control Solutions

Honeywell International Inc.  
1985 Douglas Drive North  
Golden Valley, MN 55422  
[customer.honeywell.com](http://customer.honeywell.com)

Honeywell Limited-Honeywell Limitée  
35 Dynamic Drive  
Toronto, Ontario M1V 4Z9

# Honeywell

® U.S. Registered Trademark  
© 2009 Honeywell International Inc.  
62-0300ES—01 M.S. 03-09



Printed in U.S.A. on recycled paper containing at least 10% post-consumer paper fibers.



## Solución inalámbrica de detección de ocupación WSK-24

### INSTRUCCIONES DE INSTALACIÓN

con un sensor de puerta y con un 2<sup>do</sup> sensor de puerta o ventana opcional. Después de que el receptor determina que la habitación no está ocupada, cierra un interruptor de contacto seco. Después de que el termostato o controlador reconoce el cierre del contacto, ponen el termostato en modo inicial de economía, que permite ahorrar energía cuando la habitación no está ocupada.

### CARACTERÍSTICAS

- Sistema inalámbrico de rápida y fácil instalación
- Sensor de puerta y sensor de ocupación preconfigurado
- Invitados más cómodos debido a que el equipo de climatización nunca se apaga si hay alguien en la habitación, aunque esté durmiendo
- Protección por fusibles
- Larga duración de la batería
- Indicación de batería baja
- Retención de la memoria del receptor después de una pérdida de potencia
- Fácil adición de sensor opcional para puerta o ventana corrediza

### Contenido

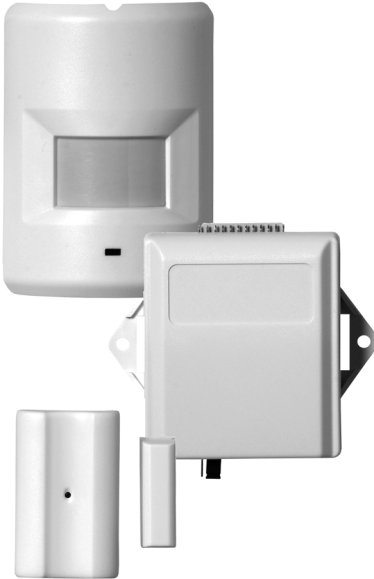
Descripción del producto .....	1
Características .....	1
Información sobre pedidos .....	2
Especificaciones .....	2
Instalación .....	3
Configuración del termostato .....	3
Cableado .....	3
Configuración del retraso en el receptor .....	4
Montaje .....	4
Reemplazo de la batería .....	6
Operación .....	6
Sensor de puerta (zona 1) y sensor de movimiento de ocupación de PIR (zona 2) .....	6
Sensor opcional para puerta o ventana corrediza (zona 3) .....	7
Descubrimiento del sensor .....	7
Prueba del sistema .....	7
Sensor de puerta delantera y sensor de PIR ....	7
2º sensor de puerta .....	8
Garantía limitada de dos años .....	8
Asistencia al cliente .....	8

### DESCRIPCIÓN DEL PRODUCTO

La solución inalámbrica de detección de ocupación WSK-24 controla automáticamente el equipo de climatización, determinando cuándo está ocupada una habitación. La WSK-24 usa la combinación de un sensor de ocupación y un interruptor de puerta para ofrecer el mejor control. La WSK-24 viene en un kit que incluye los siguientes componentes:

- Un receptor de contacto seco de 24 V
- Un sensor de ocupación de receptor pasivo infrarrojo (PIR) inalámbrico con kit de montaje
- Un sensor de puerta inalámbrico con kit de montaje
- Un mazo de cables

El receptor se puede cablear a cualquier termostato o controlador que admita la conexión de un dispositivo remoto de puesta a cero. El receptor se comunica de manera inalámbrica con el sensor de ocupación de PIR,



## INFORMACIÓN SOBRE PEDIDOS

Al comprar productos de reemplazo y modernización del mayorista o distribuidor TRADELINE®, consulte en el catálogo u hoja de precios de TRADELINE® los números de solicitud completos. También puede solicitar pedidos en <http://customer.honeywell.com>.

Si tiene más preguntas, necesita más información o desea hacer comentarios acerca de nuestros productos o servicios, escriba o llame a:

1. La oficina de ventas local de productos de automatización y control Honeywell (consulte las páginas blancas de su directorio telefónico).
2. Honeywell Customer Care  
1885 Douglas Drive North  
Minneapolis, Minnesota 55422-4386  
(763) 954-5720
3. En Canadá: Honeywell Limited/Honeywell Limitée,  
35 Dynamic Drive, Toronto, Ontario M1V 4Z9.

Contamos con oficinas internacionales de ventas y servicio en todas las principales ciudades de mundo. Fabricamos en Australia, Canadá, Finlandia, Francia, Alemania, Japón, México, los Países Bajos, España, Taiwán, Reino Unido y EE. UU.

## ESPECIFICACIONES

### Temperatura de funcionamiento:

**Receptor:** -21 a 60 °C (-5 a 140 °F)

**Sensor de puerta<sup>a</sup>:** -20 a 60 °C (-4 a 140 °F)

**Sensor de PIR:** -20 a 40 °C (-4 a 104 °F)

### Suministro de energía:

**Receptor:** 24 V CAVV CC a 50/60 Hz; consumo de energía de reserva: 15 mA; salida del relé del canal 1: normalmente abierto

**Sensor de puerta<sup>a</sup>:** Dos baterías de litio CR2032

**Sensor de PIR:** Tres baterías alcalinas AAA E92 1,5 V

### Duración de la batería:

**Sensor de puerta<sup>a</sup>:** Dos años (en uso normal)

**Sensor de PIR:** Un año (en uso normal)

### Frecuencia de utilización del receptor:

**Receptor:** 433,92 MHz

**Sensor de puerta<sup>a</sup>:** 433,92 MHz

**Sensor de PIR:** 433,92 MHz

### Banda de frecuencias del receptor:

- Con la antena expuesta:
  - Banda abierta: 60,9 m (200 pies)
  - Banda típica: 30,4 m (100 pies)
- Con la antena enrollada dentro del receptor:
  - Banda abierta: 15,2 m (50 pies)
  - Banda típica: 12,1 m (40 pies)

### Patrón de detección de PIR:

**Longitud:** 3 a 8 metros, si se monta a 2 metros por sobre el suelo (consulte la Fig. 1)

**Ángulo:** 140 grados (consulte la Fig. 2)

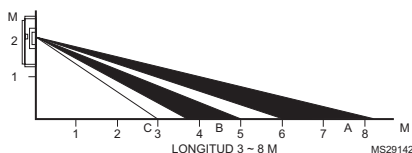


Fig. 1. Vista lateral del patrón de detección de PIR.

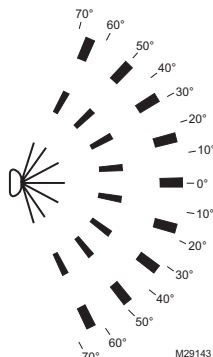


Fig. 2. Vista superior del patrón de detección de PIR.

### Dimensiones:

**Sensor de puerta<sup>a</sup>:** 35,8 x 57,6 x 15,2 mm (1,4 x 2,3 x 0,6 pulg.)

**Receptor:** 91,4 x 86,4 x 30,5 mm (3,6 x 3,4 x 1,2 pulg.)

**Sensor de PIR:** 71 x 100 x 28 mm (2,8 x 3,9 x 1,1 pulg.)

### Autorizaciones: FCC parte 15, clase B

### Accesorios:

- 50037735-001: Sensor opcional para puerta o ventana corrediza

### Repuestos:

- 50037737-001: Receptor inalámbrico
- 50037736-001: Sensor de ocupación de PIR inalámbrico

<sup>a</sup> y 50037735-001, el sensor opcional para puerta o ventana corrediza

# INSTALACIÓN

## Al instalar este producto...

1. Lea cuidadosamente estas instrucciones. No seguir las puede dañar el producto u ocasionar una condición peligrosa.
2. Consulte los regímenes indicados en las instrucciones y en el producto para asegurarse de que éste sea adecuado para su aplicación.
3. El instalador debe ser un técnico de servicio capacitado y con experiencia.

## WARNING

**Riesgo de descarga eléctrica. Puede provocar graves lesiones, daño a la propiedad o la muerte.**

Desconecte el suministro de energía antes de instalar el aparato y de realizarle mantenimiento.

### IMPORTANTE

*El termostato puede ser un dispositivo alimentado por tensión de línea. Todo el cableado debe cumplir con los códigos, ordenanzas y reglamentos eléctricos nacionales y locales.*

*La WSK-24 debe recibir alimentación de un transformador aprobado de 24 V CA, clase 2 con clasificación NEMA.*

## Configuración del termostato

Consulte las instrucciones de instalación del termostato para programarlo, montarlo y cablearlo.

El receptor tiene un relé de contacto seco normalmente abierto. Por lo tanto, el termostato se debe programar de forma tal que el relé del termostato esté normalmente cerrado.

Use la Table 1 o la Table 2 para determinar los códigos de instalador deseados para el termostato que use con la WSK-24.

**Table 1. Códigos de configuración de instalador de MultiPRO™.**

IS Código	Código Descripción	Opción Valor	Descripción de la opción
0160	Opciones de programa	0	No programable
0340 (No program-able)	Sensor de temperatura remota/Puesta a cero remota/Entrada de cambio	5	Puesta a cero remota
0341	Retraso de puesta a cero remota	0	Sin retraso
		2	Retraso de dos minutos
0342	Opción de anulación	0	Sin anulación mientras está desocupada
		1	Anulación mientras está desocupada
0343	Punto de ajuste de calentamiento de habitación desocupada	50-65	Rango de 50 a 65 °F (10 a 18 °C)
0346	Punto de ajuste de enfriamiento de habitación desocupada	75-90	Rango de 75 a 90 °F (24 a 30 °C)

**Table 2. Códigos de configuración de instalador (IS) de SuitePRO™.**

IS Código	Descripción del código	Opción Valor	Descripción de la opción
19	Puesta a cero remota	2	N.C. activado con tarjeta del hotel con - • Retraso de software de 1 segundo al ir de UnOccupied (habitación desocupada) a Occupied (habitación ocupada) • Retraso de software de 2 minutos al ir de Occupied a UnOccupied
		4	N.C. activado con tarjeta del hotel con - • Retraso de software de 1 segundo al ir de UnOccupied (habitación desocupada) a Occupied (habitación ocupada) • Retraso de software de 30 minutos al ir de Occupied a UnOccupied
20	Puesta a cero remota del calentamiento	50-70	Rango de 50 a 70 °F (10 a 21 °C)
21	Puesta a cero remota del enfriamiento	72-90	Rango de 72 a 90 °F (22 a 32 °C)

## Cableado

### Prepare el termostato para recibir cableado

Apague el termostato y retire la fuente de alimentación.

## WARNING

**Riesgo de descarga eléctrica. Puede provocar graves lesiones, daño a la propiedad o la muerte.**  
Desconecte el suministro de energía antes de mantenimiento servicio al aparato.

## CAUTION

**Peligro de daño al equipo. El retiro inadecuado puede provocar daño en el termostato.**  
Siga cuidadosamente las instrucciones de retiro del termostato.

### Cableado de terminales del receptor y del termostato

**Table 3. Designaciones del cableado**

Cable del mazo del receptor	Terminales típicos del ermostato	Conexión
Rojo	R	Alimentación de 24 V CA
Bianco	C	24 V CA común
Bianco/café	Sc	Contacto seco; normalmente abierto
Café	Sb	Contacto seco; común

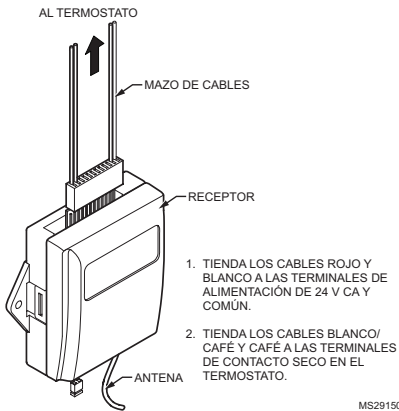


Fig. 3. Receptor y mazo de cables.

Según la Tabla 3 en la página 3 y la Fig. 3, cablee el mazo al termostato y conecte el mazo al receptor.

1. Cablee los conductores de alimentación rojo y blanco del mazo de cables a las terminales de potencia del termostato.
2. Cablee los conductores blancos/cafés de contactos secos del mazo de cables a las terminales del dispositivo remoto de puesta a cero del termostato.
3. Enchufe el mazo de cables en el receptor. El mazo es enchavetado y encaja en una sola posición.
4. Conecte el termostato a la alimentación.
5. El LED del receptor parpadea dos veces para indicar que tiene energía.
6. Continúe con "Configuración del retraso en el receptor".

## Configuración del retraso en el receptor

Consulte la Fig. 4 y seleccione la opción de retraso deseada para el puente conector:

Ubique el puente conector cerca del pulsador:

- Puerta delantera: retraso de 3 minutos
- 2ª puerta opcional: retraso de 1 minuto

Ubique el puente conector lejos del pulsador (ubicación predeterminada):

- Puerta delantera: retraso de 15 segundos
- 2ª puerta opcional: retraso de 1 minuto

El retraso del receptor y el retraso programado en el termostato se combinarán en un retraso promedio.

## Montaje

### Montaje del receptor

El receptor se puede montar detrás del termostato dentro de la pared, dentro del ventilador o en la superficie de la pared.

Se puede usar tornillos de montaje o cinta adhesiva de doble faz para montar el receptor.

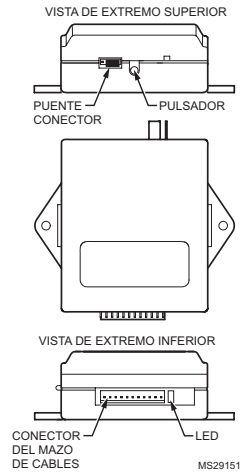


Fig. 4. Componentes del receptor.

### Montaje del sensor de puerta

1. Retire la lengüeta de la batería antes de comenzar la instalación. Consulte la Fig. 5.

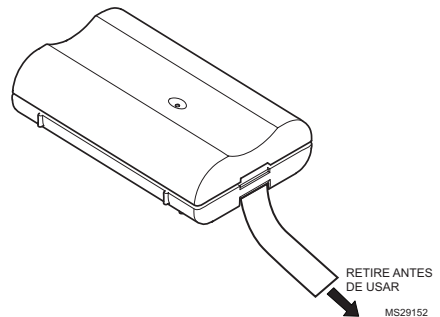


Fig. 5. Retiro de la lengüeta de la batería.

2. Retire el soporte de montaje plástico del alojamiento del sensor de puerta.
3. Coloque el soporte de montaje del sensor de puerta alto en el marco de la puerta delantera. Fije el soporte en el marco de la puerta con los dos tornillos o la cinta adhesiva proporcionada. Consulte la Fig. 6 en la página 5.

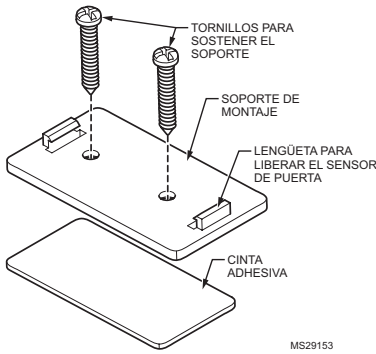


Fig. 6. Montaje del soporte del sensor de puerta.

4. Asegúrese de que el lado con muescas del sensor de puerta apunte a la dirección en la que montará el imán. Consulte la Fig. 7 y Fig. 8.

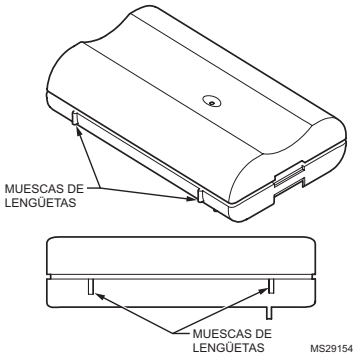


Fig. 7. Muecas de lengüetas del sensor de puerta.

5. Inserte el sensor en su posición.
6. Alinee un extremo del imán con el lado con muescas del alojamiento del sensor de puerta.
7. Monte el imán a un máximo de 19 mm (3/4 pulg.) del sensor de puerta, como se ilustra en la Fig. 8.



Fig. 8. Distancia máxima entre el sensor de puerta y el imán.

8. Fije el imán a la puerta con los dos tornillos o la cinta adhesiva proporcionada. También se proporciona un distanciador opcional. Consulte la Fig. 9.

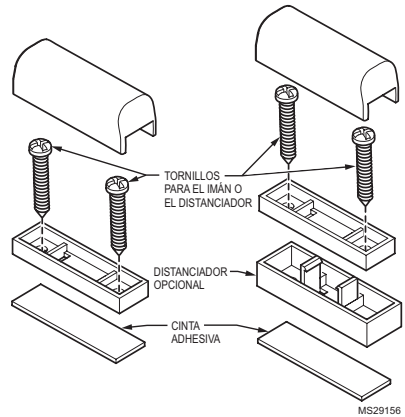


Fig. 9. Opciones de montaje del imán de puerta.

9. Abra y cierre la puerta para asegurarse de que no haya interferencia.

**COMPRUEBE EL FUNCIONAMIENTO DEL SENSOR DE PUERTA**

1. Abra la puerta y verifique que el LED del sensor de puerta parpadee tres veces si el contacto está abierto.
2. Cierre la puerta y verifique que el LED del sensor de puerta parpadee otras tres veces.

**Montaje del sensor de movimiento de ocupación de PIR**

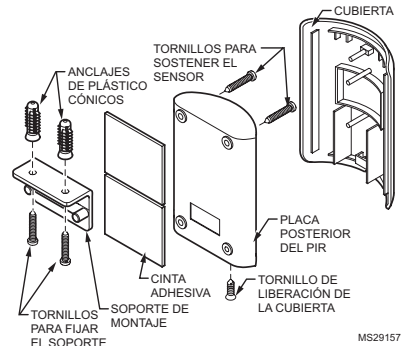


Fig. 10. Opciones de montaje del sensor de movimiento de ocupación de PIR.

1. Retire la cubierta sacando el tornillo de liberación de la cubierta en la parte inferior de la placa posterior del PIR.
2. Inserte las tres baterías AAA proporcionadas para encender el sensor de PIR. Consulte la Fig. 12 para conocer la orientación correcta de la batería.
3. Fije el sensor de PIR a la pared mediante una de las siguientes tres opciones

- Montaje en pared, opción 1: use la cinta adhesiva para fijar la placa posterior del PIR a la pared.
  - Montaje en pared, opción 2: inserte los dos tornillos largos en los dos orificios superiores o inferiores de la placa posterior del PIR para fijarla a la pared.
  - Opción de montaje en el techo: alinee el soporte de montaje y la placa posterior del PIR como se muestra en la Fig. 10. Inserte los dos tornillos pequeños en los orificios superiores de la placa posterior y fíjela al soporte. Con los dos tornillos largos (y, si es necesario, los anclajes de plástico opcionales) monte el soporte y la placa posterior del PIR al techo.
- Vuelva a colocar la cubierta del sensor del PIR y el tornillo de liberación de la cubierta en la parte inferior del sensor.

#### COMPRUEBE EL FUNCIONAMIENTO DEL SENSOR DE MOVIMIENTO DE OCUPACIÓN DE PIR

- Genere movimiento delante del sensor de PIR y verifique que el LED parpadee tres veces si detecta movimiento.
  - El sensor de PIR continúa parpadeando mientras no se detecte movimiento.
- Cubra el sensor de PIR y verifique que el LED deje de parpadear.
- Destape el sensor de PIR.

### Reemplazo de la batería

Para el correcto reemplazo de la batería, observe las orientaciones de polaridad de la batería en la Fig. 11 y en la Fig. 12.

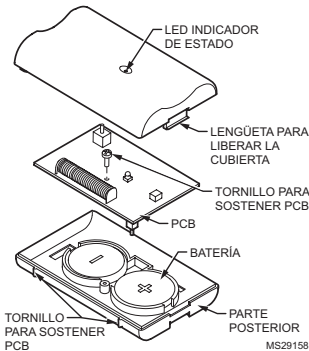


Fig. 11. Reemplazo de la batería del sensor de puerta

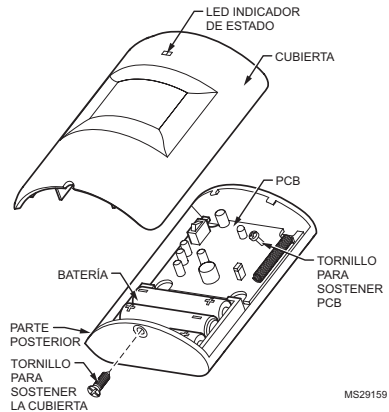


Fig. 12. Reemplazo de la batería del sensor de ocupación de PIR

### Indicación de batería baja

Cuando se detecta un estado de batería baja del sensor de puerta o del sensor de ocupación de PIR, el LED indicador de estado del dispositivo parpadea durante cuatro (4) segundos.

## OPERACIÓN

### Sensor de puerta (zona 1) y sensor de movimiento de ocupación de PIR (zona 2)

El sensor de puerta y el sensor de movimiento de ocupación de PIR vienen configurados de fábrica con el receptor. No es necesario que el receptor descubra estos sensores. Los sensores de puerta y de PIR se conectan de manera inalámbrica al receptor apenas se sacan de la caja. Sólo cablee y monte el receptor y los sensores, y el sistema funcionará correctamente.

Cuando se abre y luego se cierra la puerta, se envía una señal al sensor de PIR para que comience a buscar movimiento. Apenas el PIR detecta la presencia de alguien en la habitación, el receptor chasquea el relé para que devuelva al termostato a los puntos de ajuste de habitación ocupada. Si la persona no sale de la habitación, el termostato siempre permanecerá en el modo ocupado, sin importar si el sensor de PIR deja de detectar movimiento, lo que ofrece un ambiente cómodo para los visitantes y asegura que el equipo de climatización no se apague mientras la persona está durmiendo.

Cuando un visitante abre y cierra la puerta y sale de la habitación, el sensor de PIR comienza a buscar movimiento nuevamente. Si el sensor de PIR no detecta movimiento, el receptor cierra el retraso después de 15 segundos o 3 minutos (dependiendo de la ubicación del puente conector) y el termostato pasa al modo de economía de habitación desocupada. El retraso promedio depende del retraso programado en el termostato.

El sensor de PIR siempre anula el modo de economía de habitación desocupada apenas detecta movimiento. Por ejemplo, si hay dos visitantes en la habitación, y el

visitante A está en el baño mientras el visitante B sale de la habitación, el termostato pasa al modo inicial de economía si no se detecta movimiento. Apenas el visitante A salga del baño y entre en la habitación principal, el PIR detecta movimiento y devuelve al termostato a la operación normal. El termostato continúa en operación normal hasta que alguien abra y cierre la puerta delantera y el PIR deje de detectar movimiento.

## Sensor opcional para puerta o ventana corrediza (zona 3)

Dado que el sensor de puerta o ventana corrediza es un accesorio opcional, el receptor debe descubrir esta nueva zona. Después de que el sensor de puerta o ventana corrediza se conecta a la alimentación, siga los pasos que se indican a continuación para agregar el sensor de puerta o ventana corrediza opcional. Este procedimiento es más fácil si se realiza antes de montar el sensor.

**NOTE:** El sensor de puerta o ventana corrediza es idéntico al sensor de puerta proporcionado con la solución inalámbrica de detección de ocupación WSK-24.

1. Retire la lengüeta de la batería del sensor de puerta o ventana corrediza. Consulte la Fig. 5 en la página 4.
2. Asegúrese de que el sensor de puerta o ventana corrediza y el imán se encuentren cerca el uno del otro, dentro de 19 mm (3/4 pulg.), y de que las muescas de lengüeta del sensor estén de cara al imán. Consulte la Fig. 8 en la página 5.
3. En el receptor oprima el pulsador negro tres veces para la zona 3 (consulte la Fig. 4 en la página 4). El LED rojo en el lado opuesto del receptor parpadeará tres veces. Consulte la Fig. 4 en la página 4 para conocer la ubicación del pulsador y del LED.
4. Abra y cierre la zona 3 alejando el imán del sensor de puerta o ventana corrediza y devolviéndolo al contacto. El LED rojo del receptor parpadeará otras 3 veces para indicar que se descubrió la zona 3.
5. Monte el sensor de puerta o ventana corrediza y el imán con el mismo procedimiento de montaje descrito en "Montaje del sensor de puerta" en la página 4.

Después de que la puerta o ventana corrediza se dejan abiertas durante más de 1 minuto, el receptor cierra el retraso y el termostato pasa al modo de economía de habitación desocupada. El retraso promedio depende del retraso programado en el termostato. El ocupante no puede cambiar la configuración del termostato mientras la puerta o ventana corrediza estén abiertas. Apenas se cierran la puerta o ventana corrediza, el termostato vuelve a la operación normal.

## DESCUBRIMIENTO DEL SENSOR

**NOTE:** La solución inalámbrica de detección de ocupación WSK-24 viene con el sensor de puerta delantera y el sensor de movimiento de ocupación de PIR ya detectados por el receptor. No debe haber necesidad de volver a descubrir estos dispositivos. Sin embargo, esta información se proporciona para propósitos de solución de problemas.

## Eliminación de todos los sensores

1. Mantenga oprimido el pulsador negro (consulte la Fig. 4 en la página 4) del receptor durante seis (6) segundos.
2. El LED del receptor parpadea una vez para confirmar que todos los sensores se han eliminado.

## Agregar la zona 1 (sensor de puerta)

1. Asegúrese de que el sensor de PIR esté cubierto.
2. Asegúrese de que el contacto de puerta esté cerrado.
3. Oprima el pulsador negro del receptor una vez. El LED rojo del receptor parpadea una vez.
4. Ahora, active el sensor de puerta retirando el imán. El LED rojo del receptor parpadea una vez para confirmar que se ha descubierto el dispositivo.
5. Destape el sensor de PIR.

## Agregar la zona 2 (sensor de movimiento de ocupación de PIR)

1. Asegúrese de que el sensor de PIR esté cubierto.
2. Oprima el pulsador negro del receptor dos veces. El LED rojo del receptor parpadea dos veces.
3. Ahora, active el sensor de PIR destapando el sensor y moviéndose frente a él. El LED rojo del receptor parpadea dos veces para confirmar que se ha descubierto el dispositivo.

## Agregar la zona 3 (sensor opcional de puerta o ventana corrediza)

1. Asegúrese de que el sensor de PIR esté cubierto.
2. Asegúrese de que el contacto de puerta o ventana corrediza esté cerrado.
3. Oprima el pulsador negro del receptor tres veces. El LED rojo del receptor parpadea tres veces.
4. Ahora active el sensor de puerta o ventana corrediza retirando el imán. El LED rojo del receptor parpadea tres veces para confirmar que se ha descubierto el dispositivo.
5. Destape el sensor de PIR.

## PRUEBA DEL SISTEMA

Realice la siguiente prueba en los sensores.

### Sensor de puerta delantera y sensor de PIR

1. Ubique el puente conector lejos del pulsador para establecer el retraso de tiempo mínimo (15 segundos).
2. Cubra el sensor de PIR para que no pueda detectar movimiento.
3. Abra y cierre el sensor de puerta delantera. El receptor cierra el retraso después de 15 segundos; oírá al relé hacer clic en el receptor.
4. Espere a que el termostato pase al modo de habitación desocupada. El retraso promedio depende del retraso de tiempo adicional configurado en el termostato.
5. Descubra el sensor de PIR para que ahora pueda detectar movimiento.
6. El receptor abre el retraso y el termostato vuelve inmediatamente al modo de habitación ocupada.
7. Seleccione nuevamente el retraso de tiempo deseado en el puente conector. (Consulte la "Configuración del retraso en el receptor" on page 4.)

## 2º sensor de puerta

1. Abra el 2º sensor de puerta. El receptor cierra el retraso después de 1 minuto; oír al relé hacer clic en el receptor.
2. Espere a que el termostato pase al modo de habitación desocupada. El retraso promedio depende del retraso de tiempo adicional configurado en el termostato.
3. Mantenga la puerta abierta y genere movimiento delante del sensor de PIR para que pueda detectarlo. El termostato debe permanecer en el modo de habitación desocupada.
4. Cierre el 2º sensor de puerta. El receptor abre el retraso, y el termostato vuelve inmediatamente al modo de habitación ocupada.

## GARANTÍA LIMITADA DE DOS AÑOS

Honeywell garantiza que este producto, excepto la batería, no presenta defectos de mano de obra ni de materiales, en uso y servicio normal, durante un período de dos (2) años a partir de la fecha de compra por parte del consumidor. Si, en cualquier momento durante el período de la garantía, este producto falla o se descompone, Honeywell lo reparará o reemplazará (a opción de Honeywell) dentro de un tiempo razonable.

Si el producto falla,

- (i) devuélvalo, con el recibo de venta u otro comprobante de compra que indique la fecha, al detallista donde lo compró, o
- (ii) empáquelo cuidadosamente, junto con el comprobante de compra (que incluye la fecha de la compra) y una breve descripción de la falla, y envíelo por correo, con franqueo pagado, a la siguiente dirección:

Honeywell Return Goods  
Dock 4 - MN10-3860  
1885 Douglas Dr. N  
Golden Valley, MN 55422

Esta garantía no cubre costos de remoción o reinstalación. Esta garantía no se aplica si Honeywell demuestra que el defecto o falla fue provocado por daño ocurrido mientras el producto estaba en poder del consumidor.

La única responsabilidad de Honeywell será la de reparar o reemplazar el producto según los términos establecidos anteriormente. HONEYWELL NO SERÁ RESPONSABLE POR PÉRDIDAS NI DAÑOS DE NINGÚN TIPO, ENTRE ELLOS DAÑOS INHERENTES O CONSECUENTES QUE RESULTEN, DIRECTA O INDIRECTAMENTE, DEL INCUMPLIMIENTO DE CUALQUIER GARANTÍA, EXPRESA O TÁCITA, O CUALQUIERA OTRA FALLA DE ESTE PRODUCTO. Algunos estados no permiten la limitación o exclusión de daños inherentes o consecuentes, por lo que esta limitación puede no aplicarse a usted.

MultiPro™ y SuitePro™ son marcas comerciales de Honeywell International Inc.

### Automatización y control desenlace

Honeywell International Inc.  
1985 Douglas Drive North  
Golden Valley, MN 55422  
customer.honeywell.com

Honeywell Limited-Honeywell Limitée  
35, Dynamic Drive  
Toronto, Ontario M1V 4Z9

ESTA GARANTÍA ES LA ÚNICA GARANTÍA EXPRESA QUE HONEYWELL REALIZA SOBRE ESTE PRODUCTO. MEDIANTE ESTE DOCUMENTO, LA DURACIÓN DE CUALQUIER GARANTÍA IMPLÍCITA, INCLUIDAS LA GARANTÍA DE CONDICIONES APTAS PARA LA VENTA Y ADECUACIÓN PARA FINES ESPECÍFICOS, SE LIMITA A LA DURACIÓN DE DOS AÑOS DE ESTA GARANTÍA. Algunos estados no permiten limitaciones sobre la duración que debe tener una garantía implícita, por lo que esta limitación puede no aplicarse a usted.

Esta garantía le otorga derechos legales específicos, sin perjuicio de los cuales puede tener otros derechos según el estado.

Si tiene preguntas acerca de esta garantía, escriba a Honeywell Customer Relations, 1985 Douglas Dr., Golden Valley, MN 55422 o llame al 1-800-468-1502, de lunes a viernes de 7:00 a.m. a 5:30 p.m. hora del centro. En Canadá, escriba a Retail Products ON15-02H, Honeywell Limited/Honeywell Limitée, 35 Dynamic Drive, Scarborough, Ontario M1V4Z9.

## ASISTENCIA AL CLIENTE

Si tiene preguntas acerca de la operación de su termostato o de este sistema, visite <http://customer.honeywell.com>





## Free Manuals Download Website

<http://myh66.com>

<http://usermanuals.us>

<http://www.somanuals.com>

<http://www.4manuals.cc>

<http://www.manual-lib.com>

<http://www.404manual.com>

<http://www.luxmanual.com>

<http://aubethermostatmanual.com>

Golf course search by state

<http://golfingnear.com>

Email search by domain

<http://emailbydomain.com>

Auto manuals search

<http://auto.somanuals.com>

TV manuals search

<http://tv.somanuals.com>