

QUADRA-FIRE®

CASTILE PELLET INSERT

Owner's Manual Installation and Operation

Models:

810-02901 (MBK)

810-03201 (PMH)

CASTINS-CSB

CASTINS-CWL



Tested and
Listed by  Portland
Oregon USA
OMNI-Test Laboratories, Inc.



CAUTION



DO NOT DISCARD THIS MANUAL

- Important operating and maintenance instructions included.
- Read, understand and follow these instructions for safe installation and operation.
- Leave this manual with party responsible for use and operation.



WARNING



Please read this entire manual before installation and use of this pellet fuel-burning room heater. Failure to follow these instructions could result in property damage, bodily injury or even death.

- Do not store or use gasoline or other flammable vapors and liquids in the vicinity of this or any other appliance.
- Do not overfire - If any external part starts to glow, you are overfiring. Reduce feed rate. Overfiring will void your warranty.
- Comply with all minimum clearances to combustibles as specified. Failure to comply may cause house fire.



WARNING



HOT! DO NOT TOUCH.
SEVERE BURNS MAY RESULT.
CLOTHING IGNITION MAY RESULT.

Glass and other surfaces are hot during operation and cool down.


- Keep children away.
- CAREFULLY SUPERVISE children in same room as appliance.
- Alert children and adults to hazards of high temperatures.
- Do NOT operate with protective barriers open or removed.
- Keep clothing, furniture, draperies and other combustibles away.

CAUTION

Tested and approved for wood pellets and shelled field corn fuel only. Burning of any other type of fuel voids your warranty.

CAUTION

- Check building codes prior to installation.
- Installation MUST comply with local, regional, state and national codes and regulations.
 - Consult local building, fire officials or authorities having jurisdiction about restrictions, installation inspection, and permits.

Congratulations 
and Welcome to the Quadra-Fire Family!

Hearth & Home Technologies welcomes you to our tradition of excellence! In choosing a Quadra-Fire appliance, you have our assurance of commitment to quality, durability, and performance.


This commitment begins with our research of the market, including 'Voice of the Customer' contacts, ensuring we make products that will satisfy your needs.

Our Research and Development facility then employs the world's most advanced technology to achieve the optimum operation of our stoves, inserts and fireplaces. And yet we are old-fashioned when it comes to craftsmanship. Each unit is meticulously fabricated and are hand-finished for lasting beauty and enjoyment.


Our pledge to quality is completed as each model undergoes a quality control inspection. From design, to fabrication, to shipping: We wish you and your family many years of enjoyment in the warmth and comfort of your hearth appliance.

Thank you for choosing Quadra-Fire.

SAMPLE OF CLEARANCE TO COMBUSTIBLES LABEL
LOCATION: On beaded chain behind right access panel. Panel hinges open.

Tested and Listed by  Portland Oregon USA
OMNI Test Laboratories, Inc.

Report No. #061-S-42-2

Manufactured by: 
1445 Highway North, Colville, WA 99114
www.quadrafire.com

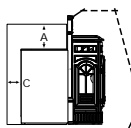
SAFETY LABEL
QUADRA-FIRE
Castile Pellet Insert

Input Rating: 30,000 BTU/HR.
Electrical Rating: 115 VAC, 60 Hz, Start 4.1 Amps, Run 1.1 AMPS.

Listed Solid Fuel Room Heater/Pellet Type Insert. Also suitable for Mobile Home Installation. This appliance has been tested and listed for use in Manufactured Homes in accordance with OAR 814-23-9000 through 814-23-909.

Tested to: ASTM E-1509-95, ULC S628-93, ULC/ORD-C148, M1990 Room Heating Pellet Burning Type, (UM) 84-HUD FOR USE ONLY WITH PELLETTIZED WOOD OR SHELFED FIELD CORN FUEL.
Route power cord away from unit. Do not route cord under in front of appliance.

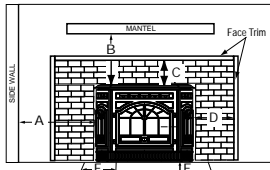
MINIMUM CLEARANCES TO COMBUSTIBLE MATERIALS
AS A BUILT-IN UNIT



A	Top of Hopper	Top/Rear Vent	0 in. (0mm)
B	Side of Outside Skin	Top/Rear Vent	0 in. (0mm)
C	Back of Hopper	Rear Vent	0 in. (0mm)
		Top Vent	2.5 in. (64mm)
D	Vent Pipe to Combustible	Rear Vent	3.0 in. (76mm)
E	From Panel Edge		0 in. (0mm)

0 in. Clearance To Exposed Section and Face Trim


Masonry or Zero Clearance



A	Insert side to combustible	0 in.	0mm
B	Insert top to mantel	12 in.	305mm
C	Insert top to face trim	0 in.	0mm
D	Insert side face trim	0 in.	0mm
E	Hearth extension from door opening	6 in.	152mm
F	Hearth extension from side of door opening	6 in.	152mm

DO NOT REMOVE THIS LABEL 7014-143

SAMPLE OF SERIAL NUMBER & DATE OF MANUFACTURE LABEL
LOCATION: Inside hopper on the top



CT
TTE T

TESTER
TTE T

Report / Rapport #061-S-42-2

QUADRA-FIRE CASTILE PELLETT INSERT

U.S. ENVIRONMENTAL PROTECTION AGENCY
This model is exempt from EPA certification under 40 CFR 60.531 by definition [Wood Heater (A) "Air-to-Fuel Ratio"].

SERIAL NO. / NUM. RO DU S. RIE
007

00 00 010
AN FEB MAR APR MAY UNE JULY AU SEPT OCT NOV DEC

Test Lab & Rpt Nbr. Mfg Date Model Name Serial No.

TABLE OF CONTENTS

Section 1: Listing and Code Approvals

- A. Appliance Certifications4
- B. Mobile Home Approved4
- C. Glass Specifications.....4
- D. Electrical Rating4
- E. BTU & Efficiency Specifications4

Section 2: Getting Started

- A. Design, Installation & Location Considerations.....5
- B. Fire Safety5
- C. Tools & Supplies Needed6
- D. Measuring Standards.....6
- E. Inspect Appliance, Components and Pre-Check List6

Section 3: Dimensions & Clearances

- A. Appliance Dimensions7
- B. Clearances to Combustibles As A Built-In, UL and ULC8
- C. Clearances to Combustibles, Masonry & Zero Clearance.....9
- D. Floor Protection9
- E. Minimum Opening for Factory Built Fireplace9
- F. Removing Floor of Factory Built Fireplace10

Section 4: Vent Information

- A. Chimney & Exhaust Connections11
- B. Venting Termination Requirements11
- C. Equivalent Feet of Pipe.....12
- D. Pipe Selection Chart.....12

Section 5: Venting Systems

- A. Direct Connect with Outside Air13
- B. Direct Connect without Outside Air13
- C. Full Reline with Outside Air.....14

Section 6: Mobile Home15

Section 7: Appliance Set-Up

- A. Reverse Top or Rear Flue Adapter.....16
- B. Leveling System16
- C. Outside Air Kit.....17
- D. Zero Clearance Trim Support17-18
- E. Panel Set & Cast Trim Set19
- F. Panel & Trim Set, Econo.....19
- G. Log Set Placement.....20
- H. Thermostat Installation21

Section 8: Operating Instructions

- A. Fuel Size & Material22
- B. General Operation Information22
- C. Before Your First Fire23
- D. Starting Your First Fire.....23
- E. Fire Characteristics.....23
- F. Feed Rate Adjustment23
- G. Ignition Cycles24
- H. Frequently Asked Questions.....24

Section 9: Troubleshooting25-27

Section 10: Maintaining & Servicing Appliance

- A. Proper Shutdown Procedures28
- B. Quick Reference Maintenance Chart..28
- C. General Maintenance & Cleaning28-32
- D. High Ash Content Maintenance32
- E. Igniter Replacement.....33
- F. Glass Replacement.....33
- G. Baffle & Brick Removal & Replace.....34-35

Section 11: Reference Material

- A. Component Functions.....36-37
- B. Component Locations.....38
- C. Exploded Drawings.....39-40
- D. Service Parts & Accessories41-42
- E. Service & Maintenance Log43-44
- F. Homeowner's Notes.....45
- F. Warranty Policy46-47
- G. Contact Information.....48

1

Listing and Code Approvals

A. Appliance Certification

MODEL:	Castile Pellet Insert
LABORATORY:	OMNI Test Laboratories, Inc
REPORT NO.	061-S-42-2
TYPE:	Solid Fuel Room Heater/Pellet Fuel Burning Type Insert
STANDARD:	ASTM E1509-95, ULC S628-93 and ULC/ORD-C1482-M1990 Room Heater Pellet Fuel Burning Type and (UM) 84-HUD, Mobile Home Approved
Colorado:	Approved 11-15-02

B. Mobile Home Approved

This appliance is approved for mobile home installations when not installed in a sleeping room and when an outside combustion air inlet is provided.

The structural integrity of the mobile home floor, ceiling, and walls must be maintained. The appliance must be properly grounded to the frame of the mobile home and use only listed pellet vent, Class "L" or "PL" connector pipe. A Quadra-Fire Outside Air Kit must be installed in a mobile home installation.

C. Glass Specifications

This appliance is equipped with 5mm ceramic glass. Replace glass only with 5mm ceramic glass. Please contact your dealer for replacement glass.

NOTE: This installation must conform with local codes. In the absence of local codes you must comply with the **ASTM E1509-95, ULC S628-93, ULC/ORD-C-1482 and (UM) 84-HUD**

D. Electrical Rating

115 VAC, 60 Hz, Start 4.1 Amps, Run 1.1 Amps

E. BTU & Efficiency Specifications

Particulate Emissions Rating:	.7 grams/hr
*BTU Output:	8,000 - 30,000 / hr
Heating Capacity:	up to 1,500 sq. ft. depending on climate zone
Hopper Capacity:	45 lbs
Fuel:	Wood Pellets or Shelled Corn
Shipping Weight:	260 lbs

*BTU output will vary, depending on the brand of fuel you use in your appliance. Consult your Quadra-Fire dealer for best results.

NOTE: Hearth & Home Technologies, manufacturer of this appliance, reserves the right to alter its products, their specifications and/or price without notice.

2

Getting Started

A. Design, Installation & Location Considerations

1. Appliance Location

Consideration must be given to safety, convenience, traffic flow, and the fact that the appliance will need a chimney and chimney connector. It is a good idea to plan your installation on paper, using exact measurements for clearances and floor protection, before actually beginning the installation.

If you are not using an existing chimney, place the appliance in a location to maintain a clear passage for the installation of any listed and approved pellet venting system. This appliance may be vented vertically or horizontally.


Maintain specified vent clearance to combustible requirements listed by the pellet manufacturer's venting instructions and all clearance to combustibles listed in this manual.

Check with your local building code agency before you begin your installation. Be sure local building codes do not supersede UL specifications and always obtain a building permit so that insurance protection benefits cannot be unexpectedly cancelled. If any assistance is required during installation, please contact your local dealer.

We recommend that a qualified building inspector and your insurance company representative review your plans before and after installation.

2. Thermostat Location

The thermostat's location will have some effect on the appliance's operation. When the thermostat is located close to the appliance, it may require a slightly higher temperature setting to keep the rest of the house comfortable. If the thermostat location is in an adjacent room or on a different floor level, you will notice higher temperatures near the appliance.




 CAUTION
<ul style="list-style-type: none"> • Do NOT connect this unit to a chimney flue servicing another appliance. • Do NOT connect to any air distribution duct or system.

B. Fire Safety

Maintain the designated clearances to combustibles. Insulation must not touch the chimney. You must maintain the designated air space clearance around the chimney. This space around a chimney is necessary to allow natural heat removal from the area. Insulation in this space will cause a heat buildup, which may ignite wood framing. **NOTE: Clearances may only be reduced by means approved by the regulatory authority having jurisdiction.**

To provide reasonable fire safety, the following should be given serious consideration:

1. Install at least one smoke detector on each floor of your home to ensure your safety. They should be located away from the heating appliance and close to the sleeping areas. Follow the smoke detector manufacturer's placement and installation instructions, and be sure to maintain regularly.
2. A conveniently located Class A fire extinguisher to contend with small fires resulting from burning embers.
3. A practiced evacuation plan, consisting of at least 2 escape routes.
4. A plan to deal with a hopper fire as follows:
 In the event of a hopper fire:
 - a. Evacuate the house immediately.
 - b. Notify fire department.

 WARNING
<div style="display: flex; align-items: center;">  <div> <p>Fire Risk.</p> <ul style="list-style-type: none"> • Do not operate appliance before reading and understanding operating instructions. • Failure to operate appliance properly may cause a house fire. </div> </div>


C. Tools And Supplies Needed

Tools and building supplies normally required for installation, unless installing into an existing masonry fireplace:	
Reciprocating Saw	Safety Glasses
Hammer	Framing Square
Phillips Screwdriver	Electric Drill & Bits (1/4")
Tape Measure	1/4" Self-Tapping Screws
Plumb Line	
Level	<u>May also need:</u>
Framing Material	Vent Support Straps
Hi-temp Caulking Material	Venting Paint
Gloves	

D. Inspect Appliance & Components and Pre-Use Check List



1.		Place the appliance in a location near the final installation area and follow the procedures below:
2.		Open the appliance and remove all the parts and articles packed inside the Component Pack. Inspect all the parts and glass for shipping damage. Contact your dealer if any irregularities are noticed.
3.		All safety warnings have been read and followed.
4.		This Owner's Manual has been read.
5.		Floor protection requirements have been met.
6.		Venting is properly installed.
7.		The proper clearances from the appliance and chimney to combustible materials have been met.
8.		The masonry chimney is inspected by a professional and is clean, or the factory built metal chimney is installed according to the manufacturer's instructions and clearances.
9.		The chimney meets the required minimum height.
10.		All labels have been removed from the glass door.
11.		Plated surfaces have been wiped clean, if applicable.
12.		Thermostat or remote has been installed.
13.		A power outlet is available nearby.

	WARNING
	<p>Inspect appliance and components for damage. Damaged parts may impair safe operation.</p> <ul style="list-style-type: none"> • Do NOT install damaged components. • Do NOT install incomplete components. • Do NOT install substitute components. <p>Report damaged parts to dealer.</p>

	WARNING
	<p>Fire Risk.</p> <p>Hearth & Home Technologies disclaims any responsibility for, and the warranty will be voided by, the following actions:</p> <ul style="list-style-type: none"> • Installation and use of any damaged appliance. • Modification of the appliance. • Installation other than as instructed by Hearth & Home Technologies. • Installation and/or use of any component part not approved by Hearth & Home Technologies. • Operating appliance without fully assembling all components. • Do NOT Overfire. <p>Or any such action that may cause a fire hazard.</p>

3 Dimensions and Clearances

A. Appliance Dimensions

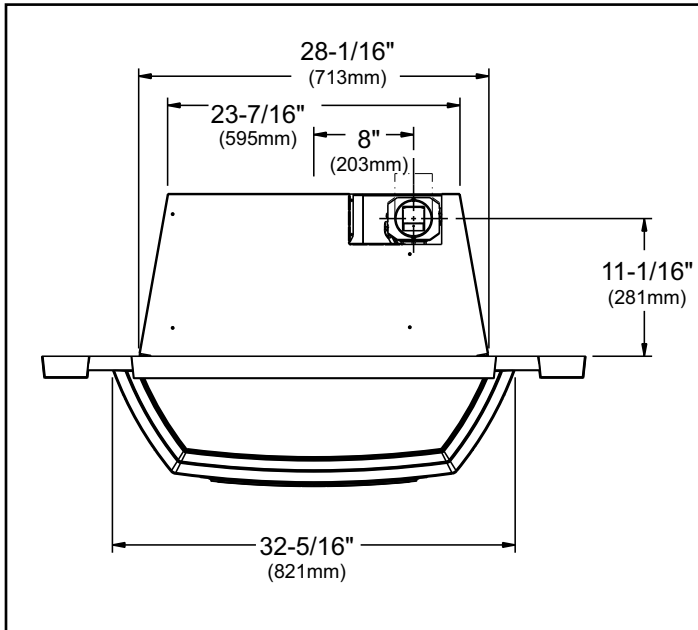


Figure 7.1 - Top View

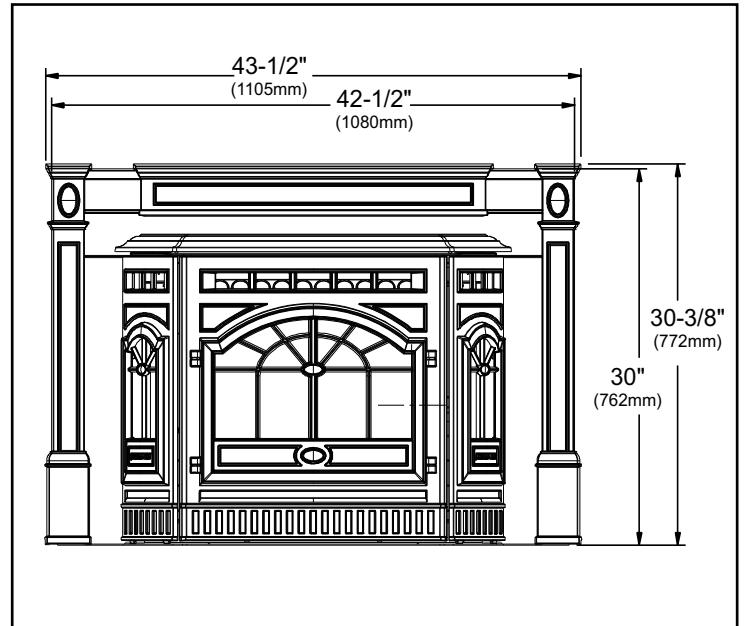


Figure 7.2- Front View

Panel Size	Height		Width	
	inch	mm	inch	mm
Small Cast	30	762	42-1/2	1078
Large Cast	34	864	48	1219
Small Econo	30	762	40	1016

NOTE: All views are shown with Panel & Cast Trim Set installed.

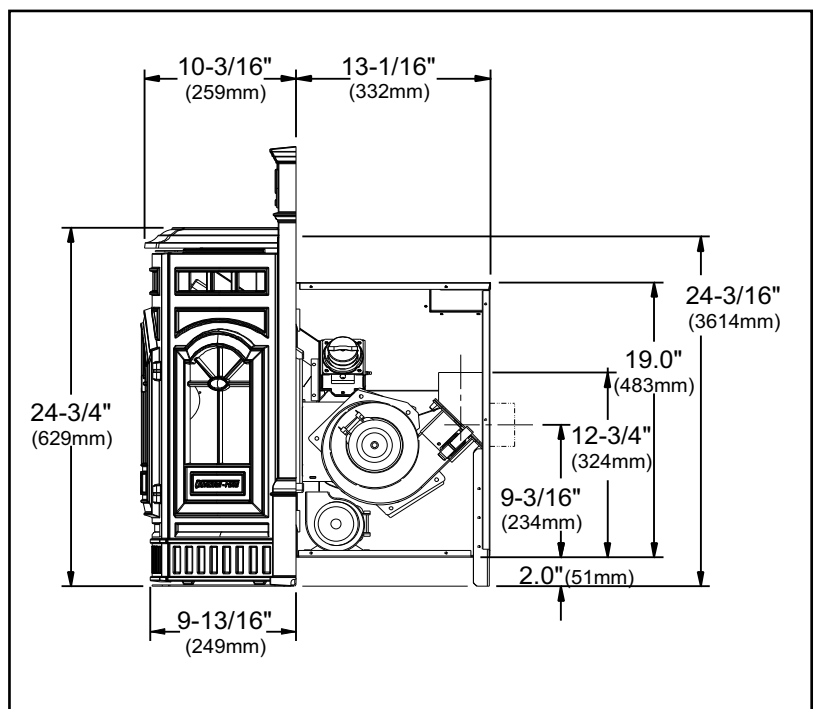


Figure 7.3 -Side View

B. Clearance To Combustibles, UL and ULC

AS A BUILT-IN

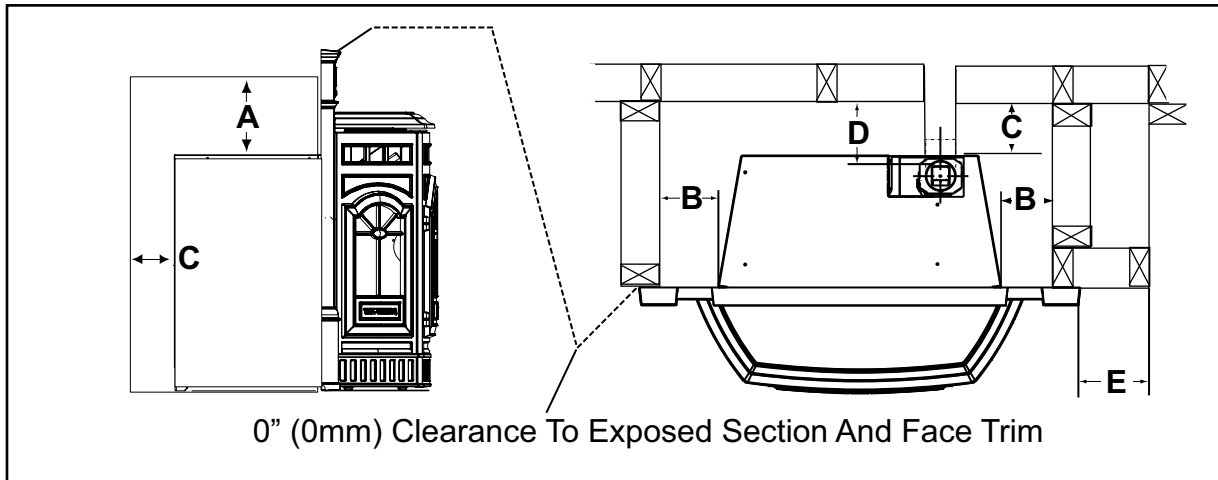


Figure 8.1

			Inches	Millimeters
A	Top of Hopper	Top or Rear Vent	0	0
B	Side of Outside Skin	Top or Rear Vent	0	0
C	Back of Hopper	Top Vent	2.5	64
		Rear Vent	0	0
D	Vent Pipe to Combustible	Top or Rear Vent	3.0	76
E	Front Panel Edge	Top or Rear Vent	0	0

INSTALLED AS A BUILT-IN UNIT
Shown Optional Outside Air

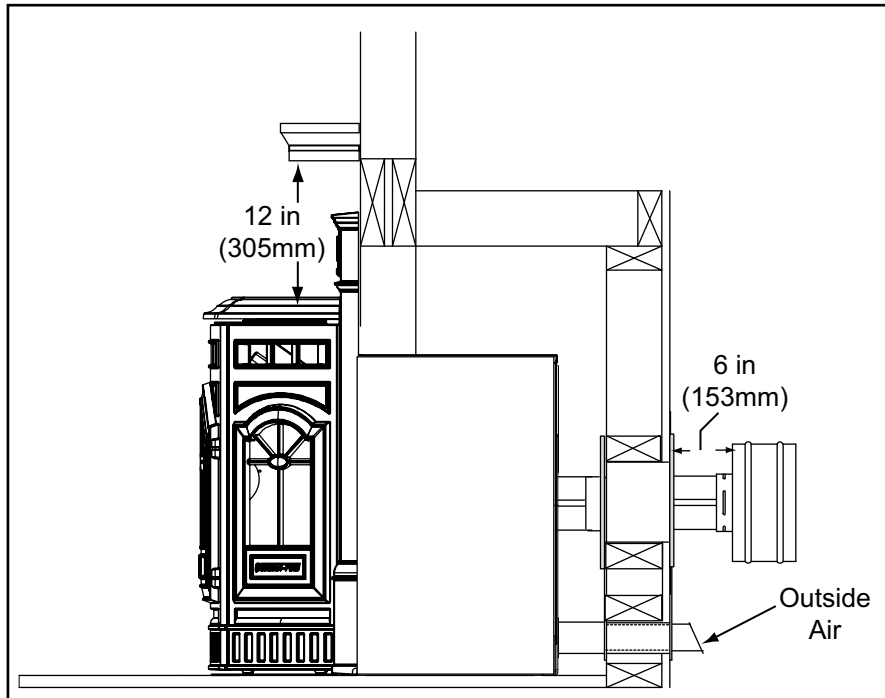


Figure 8.2

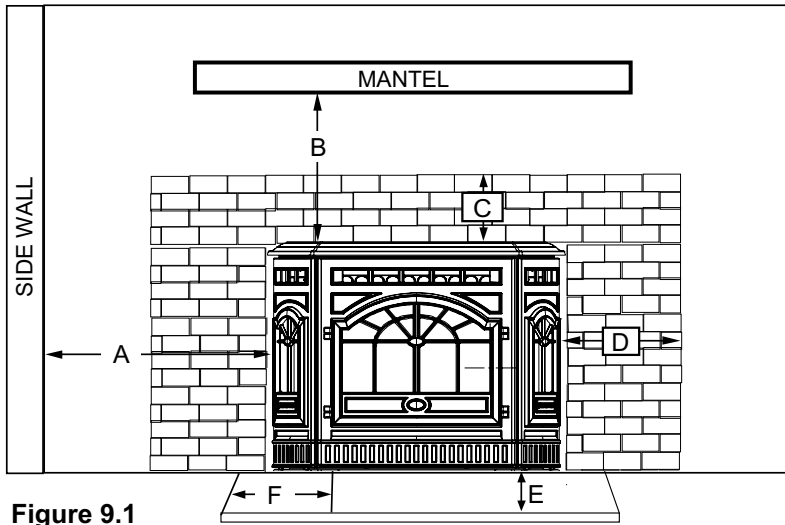
WARNING

Fire Risk.
Comply with all minimum clearances to combustibles as specified.
Failure to comply may cause house fire.

NOTE:

- Illustrations reflect typical installations and are FOR DESIGN PURPOSES ONLY.
- Illustrations/diagrams are not drawn to scale.
- Actual installation may vary due to individual design preference.

C. Masonry and Zero Clearance Fireplaces



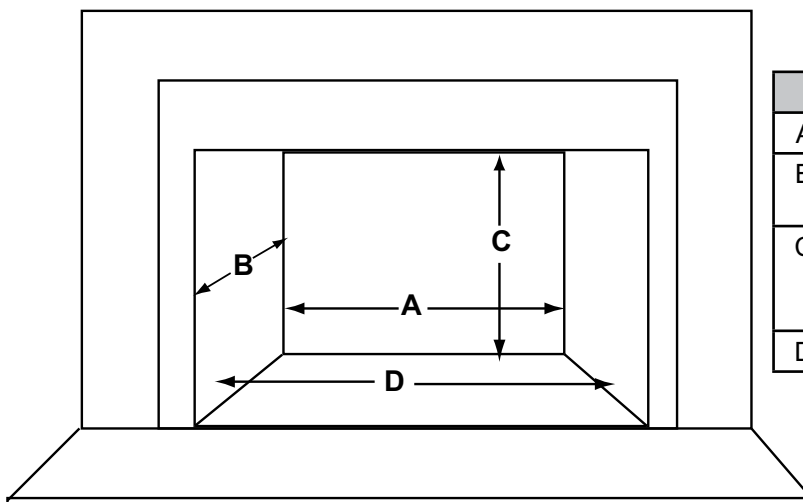
		Inches	Millimeters
A	Insert side to combustible side wall	0	0
B	Insert top to mantel	12	305
C	Insert top to face trim	0	0
D	Insert side to face trim	0	0

Figure 9.1

D. Floor Protection

		Inches	Millimeters
E	Floor protection hearth extension from door opening	6	152
F	Floor protection to the side of door opening	6	152

E. Minimum Opening for Masonry and Zero Clearance Fireplaces



	Location	Inches	Millimeters
A	Rear Width	23-7/16	595
B	Depth	18 for Zero Clearance 14 for Masonry	457 356
C	Height	19-1/4 if drop down 21-1/4 if flush or hearth mount	489 540
D	Front Width	28-1/4	718

Figure 9.2

F. Removing Metal Floor of Factory-Built Firebox

- The firebrick (refractory), glass doors, screen rails, screen mesh and log grates can be removed from a factory-built firebox in order to gain minimum insert opening requirements.
- Any smoke shelves, shields and baffles may be removed from a factory-built firebox if attached with mechanical fasteners.
- The metal floor of the factory-built firebox may be removed to facilitate the installation of the insert only when a 1/4 (6mm) inch airspace is provided between the insert and the floor of outer wrap.

The following is only one example as there are many different models of factory-built fireplaces.

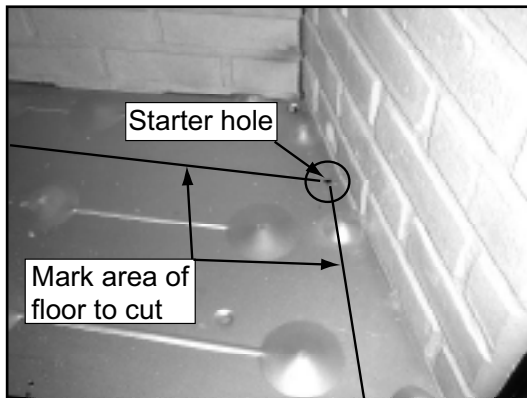


Figure 10.1. Measure and mark the metal floor for cutting. With a drill, make a starter hole in each corner.



Figure 10.2. Using a saws-all, cut out the floor

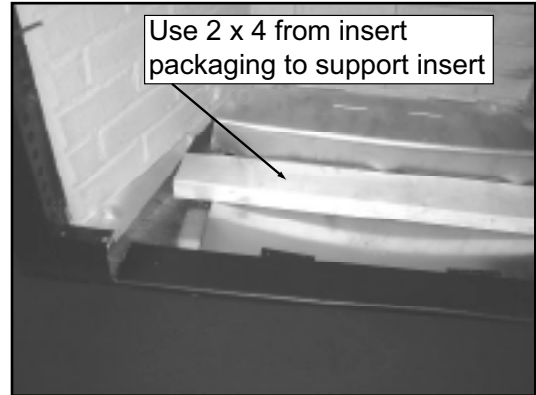


Figure 10.3. If the floor is made of thin metal, we recommend using the 2 x 4 from the insert packaging to support the insert. The 2 x 4 may need to be cut to the appropriate size.

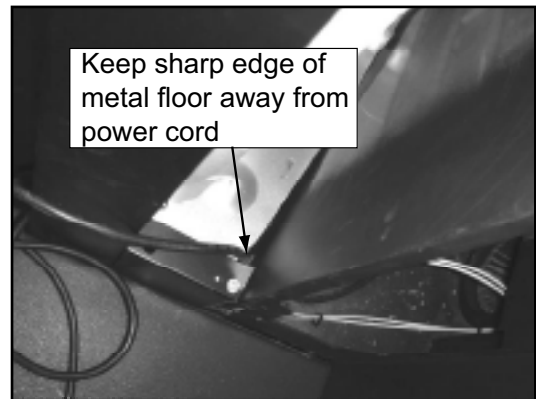


Figure 10.4. Place the insert into the factory-built firebox. Ensure that the power cord can not be damaged by the sharp metal edge. You may need to cut out a notch to accommodate the cord.

NOTE: Ensure that the leveling leg is positioned over the 2 x 4 before leveling the insert. See **page 16**, for detailed instructions on how to adjust the leveling legs.


4 Vent Information


A. Chimney and Exhaust Connection

1. **Chimney & Connector:** Use 3 or 4 inch (76-102mm) diameter type "L" or "PL" venting system. It can be vented vertically or horizontally.
2. **Mobile Home:** Approved for all Listed pellet vent. Use Listed double wall flue connector. A Quadra-Fire outside air kit must be used with manufactured home installations.
3. **Residential:** Use 24 gauge single wall flue connector or a Listed double wall flue connector to Class A Listed metal chimneys, or masonry chimneys meeting national and/or local codes for solid fuel appliances.
4. **INSTALL VENT AT CLEARANCES SPECIFIED BY THE VENT MANUFACTURER.**
5. Secure exhaust venting system to the appliance with at least 3 screws. Also secure all connector pipe joints with at least 3 screws through each joint.

NOTE: All pipe must be welded seam pipe whenever possible. Seal pipe joints with high temperature silicone (500°F [260°C] minimum rated only).

NOTE: If burning shelled field corn, you must use approved venting specifically designed for corn. Follow the instructions from the venting manufacturer.

	WARNING
	<p>Fire Risk.</p> <ul style="list-style-type: none"> • Only LISTED venting components may be used. • NO OTHER vent components may be used. Substitute or damaged vent components may impair safe operation.

	WARNING
	<p>Vent surfaces get HOT, can cause burns if touched. Non-combustible shielding or guards may be required.</p>

B. Venting Termination Requirements

CAUTION
<p>Do not terminate vent in any enclosed or semi-enclosed area such as a carport, garage, attic, crawl space, under a sun deck or porch, narrow walkway or closely fenced area, or any location that can build up a concentration of fumes such as a stairwell, covered breezeway, etc.</p>

1. Termination must exhaust above air inlet elevation. It is recommended that at least 60 inches (1524mm) of vertical pipe be installed when appliance is vented directly through a wall. This will create a natural draft, which will help prevent the possibility of smoke or odor venting into the home during a power outage. It will also keep exhaust from causing a nuisance or hazard by exposing people or shrubs to high temperatures. The safest and preferred venting method is to extend the vent vertically through the roof.
2. Distance from doors and opening windows, or gravity or ventilation air inlets into building:
 - a. Not less than 48 inches (1219mm) below;
 - b. Not less than 48 inches (1219mm) horizontally from;
 - c. Not less than 12 inches (305mm) above.
3. Distance from permanently closed windows:
 - a. Not less than 12 inches (305mm) below, horizontally from or above.
4. Distance between bottom of termination and grade should be 12 inches (305mm) minimum. This is conditional upon plants in the area, and nature of grade surface. The grade surface must be a non-combustible material (i.e., rock, dirt). The grade surface must not be lawn. Distance between bottom of termination and public walkway should be 84 inches (2134mm) minimum.
5. Distance to combustible materials must be 24 inches (610mm) minimum. This includes adjacent buildings, fences, protruding parts of the structure, roof overhang, plants and shrubs, etc.
6. Termination Cap Location (Home Electrical Service)
 - Side-to-side clearance is to be the same as minimum clearance to vinyl inside corners.
 - Clearance of a termination cap below electrical service shall be the same as minimum clearance to vinyl soffits.
 - Clearance of a termination cap above electrical service will be 12 inches (305mm) minimum.
 - Location of the vent termination must not obstruct or interfere with access to the electrical service.

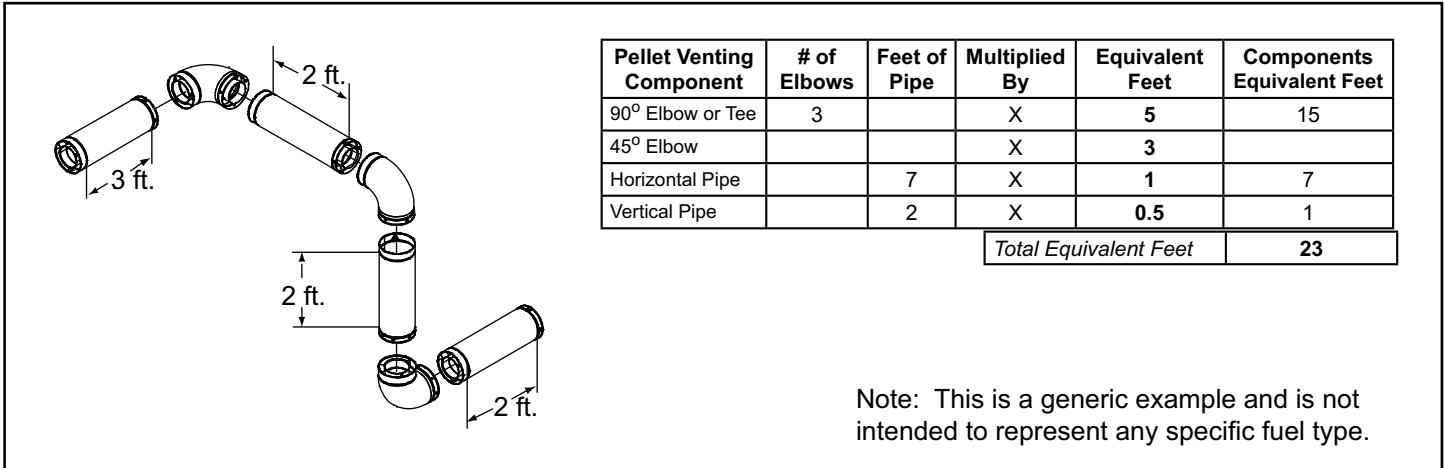
C. Equivalent Feet of Pipe

The table below can help you calculate the equivalent feet of pipe which is a method used to determine pellet vent size. **Figure 12.1.**

WARNING

Improper installation, adjustment, alteration, service or maintenance can cause injury or property damage. Refer to the owner's information manual provided with this appliance. For assistance or additional information consult a qualified installer, service agency or your dealer.

Example of 3 Elbow-Rear Vent Termination Calculation



Note: This is a generic example and is not intended to represent any specific fuel type.

Figure 12.1

D. Pipe Selection Chart

The chart will help you in determining proper venting size according to the equivalent feet of pipe calculated above and the altitude above sea level of this installation. **Figure 12.2.**

Locate the calculated equivalent feet of pipe on the vertical left side of the chart. Move to the right horizontally on the chart until you reach your altitude above sea level.

If you fall below the diagonal line, 3 or 4 inch (76 to 102mm) pipe may be used. If it is anywhere above the diagonal line, a 4 inch (102mm) diameter pipe is required.

The chart reveals that a 90° elbow is 5 times as restrictive to the flow of exhaust gases under positive pressure as 1 foot of horizontal pipe, and a foot of horizontal pipe is twice as restrictive as a foot of vertical pipe.

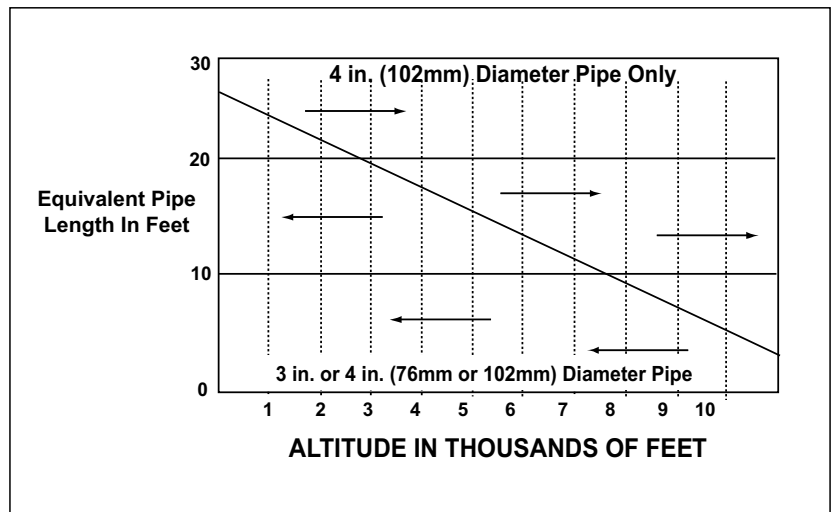


Figure 12.2

5 Venting Systems

A. Direct Connect With Outside Air

B. Direct Connect Without Outside Air

NOTE: In Canada, only a full reline is allowed per ULC S-628, ORD ULC C1482.

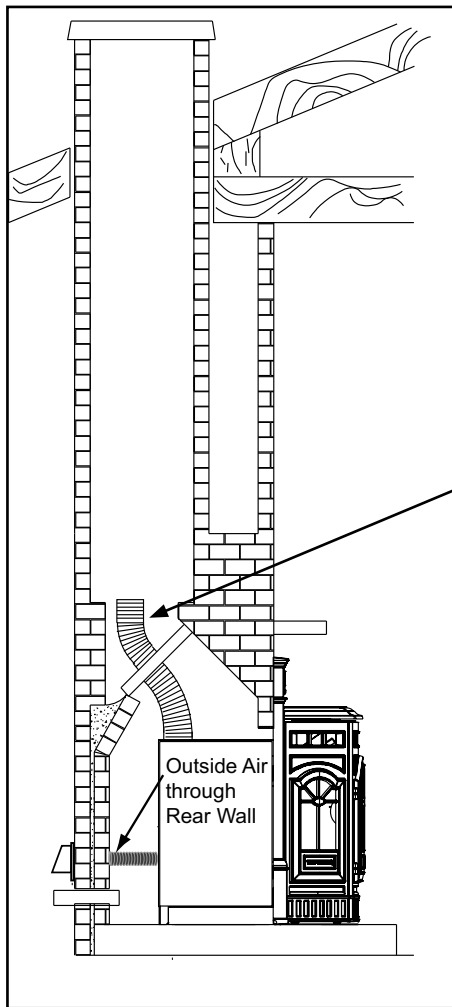


Figure 13.1

NOTE; Use metal plate around exhaust vent pipe and seal all edges with non-flammable insulation such as fiberglass, mineral wool or ceramic material.

Do not use high temperature caulking materials to seal any edge to prevent future serviceability.

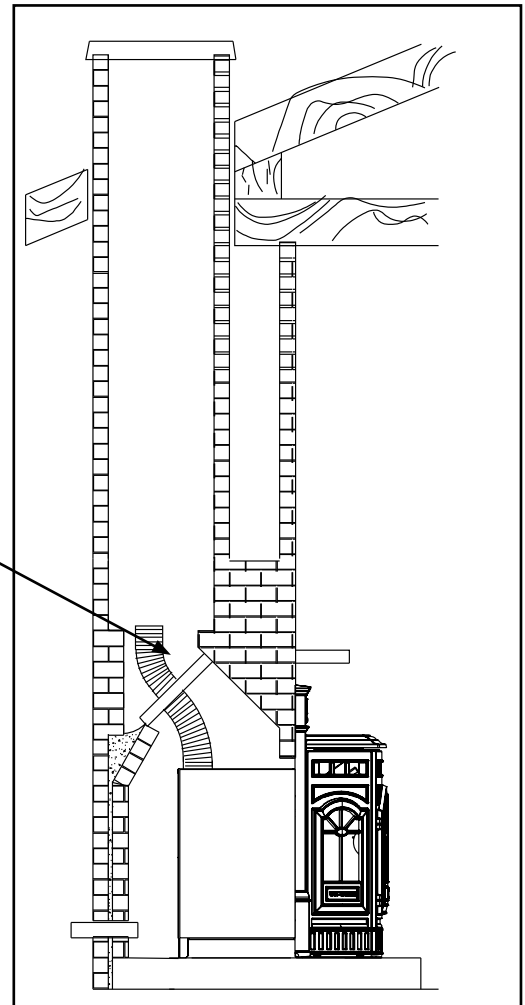


Figure 13.2

NOTE:

- Illustrations reflect typical installations and are FOR DESIGN PURPOSES ONLY.
- Illustrations/diagrams are not drawn to scale.
- Actual installation may vary due to individual design preference.

CAUTION

- Never draw outside combustion air from:
- Wall, floor or ceiling cavity
 - Enclosed space such as an attic or garage



WARNING



Fire Risk.

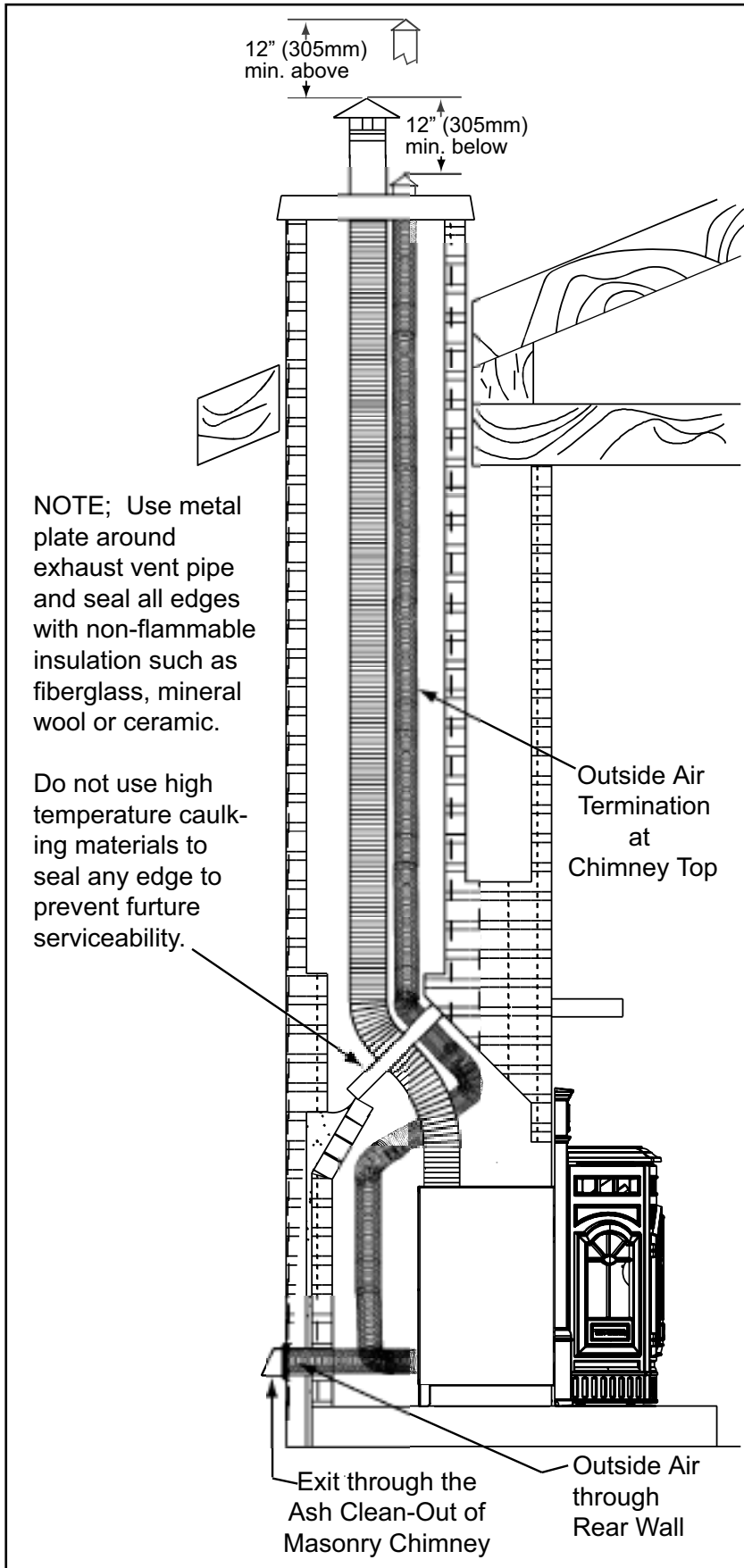
Inspection of Chimney:

- Masonry chimney must be in good condition.
- Meets minimum standard of NFPA 211
- Factory-built chimney must be 6 inch (152mm) UL103 HT.

NOTE:

In Canada, where passage through a wall or partition of combustible construction is desired, the installation shall conform to CAN/CSA-B365.

C. Full Reline With Outside Air



NOTE; Use metal plate around exhaust vent pipe and seal all edges with non-flammable insulation such as fiberglass, mineral wool or ceramic.

Do not use high temperature caulking materials to seal any edge to prevent future serviceability.

NOTE: Check clearances carefully for this type of installation to ensure adequate room for outside air venting.

CAUTION

Check building codes prior to installation.

- Installation **MUST** comply with local, regional, state and national codes and regulations.
- Consult local building, fire officials or authorities having jurisdiction about restrictions, installation inspection, and permits.

NOTE: In Canada, only a full reline is allowed per ULC S-628, ORD ULC C1482.

Figure 14.2

6 Mobile Home

A. Mobile Home Installation

You must use a Quadra-Fire Outside Air Kit for installation in a mobile home.

1. An outside air inlet must be provided for the combustion air and must remain clear of leaves, debris, ice and/or snow. It must be unrestricted while the appliance is in use to prevent room air starvation which causes smoke spillage. Smoke spillage can also set off smoke alarms.
2. The combustion air duct system must be made of metal. It must permit zero clearance to combustible construction and prevent material from dropping into the inlet or into the area beneath the dwelling and contain a rodent screen.
3. The appliance must be secured to the mobile home structure by bolting it to the floor (using lag bolts). Use the same holes that secured the appliance to the shipping pallet.
4. The appliance must be grounded with #8 solid copper grounding wire or equivalent, terminated at each end with an NEC approved grounding device.
5. Refer to clearances to combustibles and floor protection requirements on **pages 8 & 9** for listings to combustibles and appropriate chimney systems.
6. Use silicone to create an effective vapor barrier at the location where the chimney or other component penetrates to the exterior of the structure.
7. Follow the chimney manufacturer's instructions when installing the vent system for use in a mobile home.
8. Installation shall be in accordance with the Manufacturers Home & Safety Standard (HUD) CFR 3280, Part 24.

CAUTION
Maintain structural integrity of mobile home: <ul style="list-style-type: none"> • Floor, wall, ceiling and/or roof. Do NOT cut through: <ul style="list-style-type: none"> • Floor joist, wall studs or ceiling trusses. • Any supporting material that would affect the structural integrity.

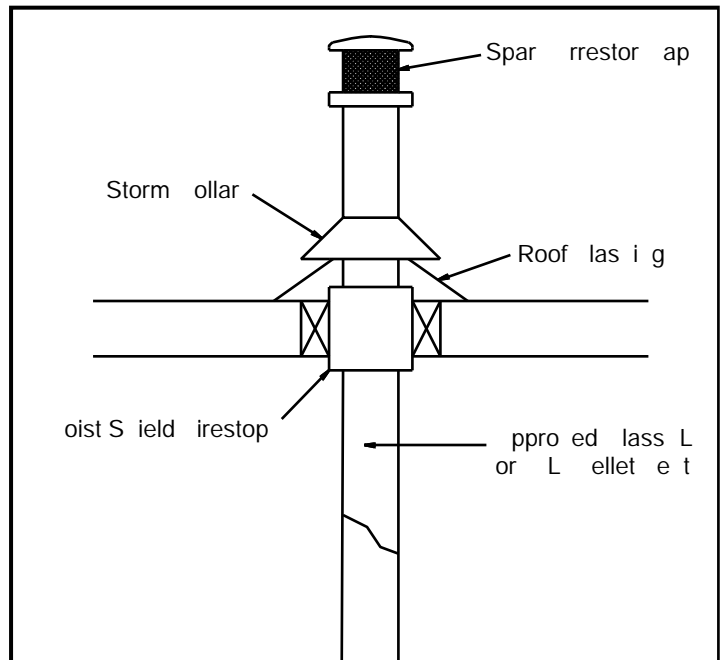




Figure 15.1

 WARNING
Installation must comply with Manufactured Home and Safety Standard (HUD), CFR 3280, Part 24.

 WARNING
Never install in a sleeping room.

7 Appliance Set-Up

A. Reversible Top or Rear Flue Adapter

Top Vent Installation

1. Release ammo can latches on each side. **Figure 16.1.**
2. Place the reversible adapter in the correct position for your installation.
3. Make sure BOTH latches are in position before securing them.

Rear Vent Installation

1. Remove the 90° adapter and installation screws from the packaging.
2. Attach the 90° adapter onto the vent adapter, using the 3 screws provided. You will need to pre-drill the holes for screw placement. Be sure to adjust the 90° adapter to the desired position for venting before drilling.
3. Silicone the pipe joints according to the Note below.

NOTE: All pipe must be sealed using welded seam pipe whenever possible. Seal pipe joints with high temperature silicone, minimum rate of 500°F (260°C).

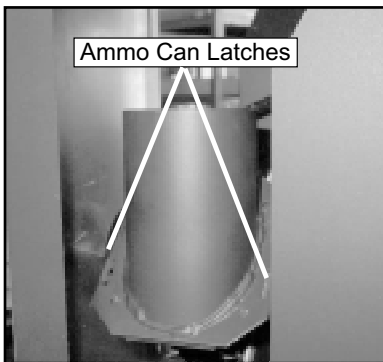


Figure 16.1 - Top Vent



Figure 16.2 - Rear Vent

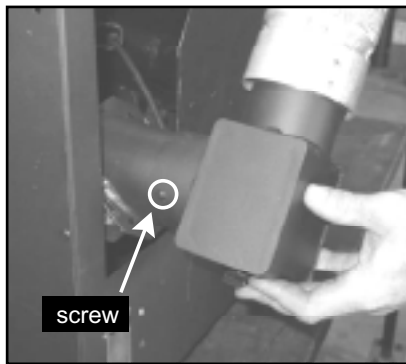


Figure 16.3 - Rear Vent

B. Leveling System

The back legs are adjustable to allow for customized fit into zero clearance boxes.

1. Loosen 2 top screws and remove 2 bottom screws.
2. Adjust leg to desired height. Leg can slide up (shorter) or down (longer) to level the insert.
3. Tighten 2 top screws.
4. Drill 2 holes for the bottom 2 screws and re-install screws. **Figure 16.5.**

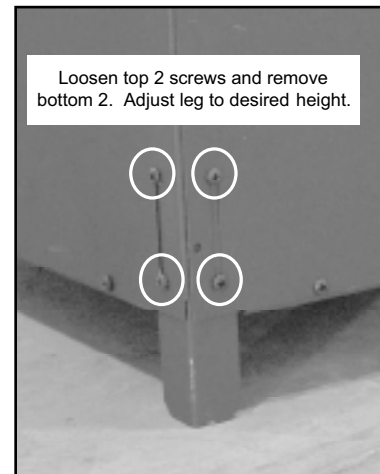


Figure 16.4

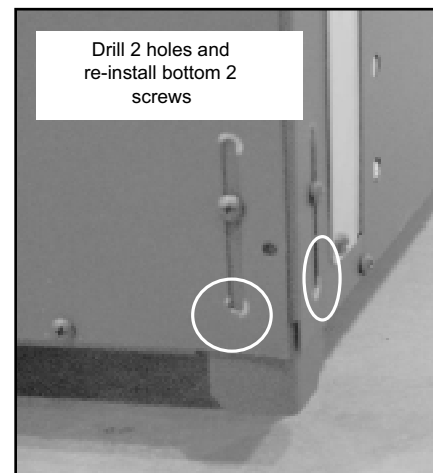


Figure 16.5

C. Outside Air Kit Instructions

Parts Included in Kit: 1 piece of 2 inch x 3 ft. flex hose, 2 hose clamps, 1 collar assembly, 1 termination cap assembly, 1 trim ring, fasteners.

Tools Needed: Phillips head screwdriver; wire cutters; hole saw or jig saw.

1. Attach collar assembly to appliance. **Figure 17.1.** Measure distance from floor to air vent opening in appliance and mark location on wall.
3. Use saw to cut opening in wall. Cut a 2-1/2 to 3 inch (64-76mm) opening on inside wall and a 3 to 3-1/2 inch (76-89mm) opening on outside of house.
4. Use hose clamp to secure flex pipe to collar assembly.
5. Slide trim ring over flex pipe and run pipe through pre-cut hole in back of appliance and through the wall.
6. Attach hose to outside termination cap with second hose clamp.
7. Secure termination cap to outside surface.
8. Secure trim ring to interior wall.

CAUTION

- Never draw outside combustion air from:
- Wall, floor or ceiling cavity
 - Enclosed space such as an attic or garage

D. Zero Clearance Trim Support Instructions

NOTE: Only for use on small size panels.

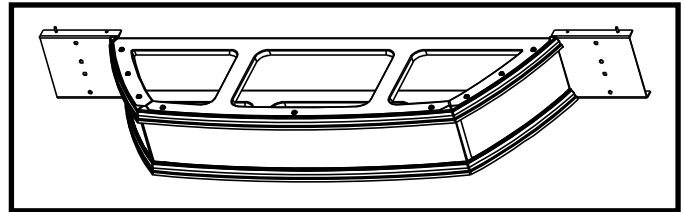


Figure 17.2 - Assembled View

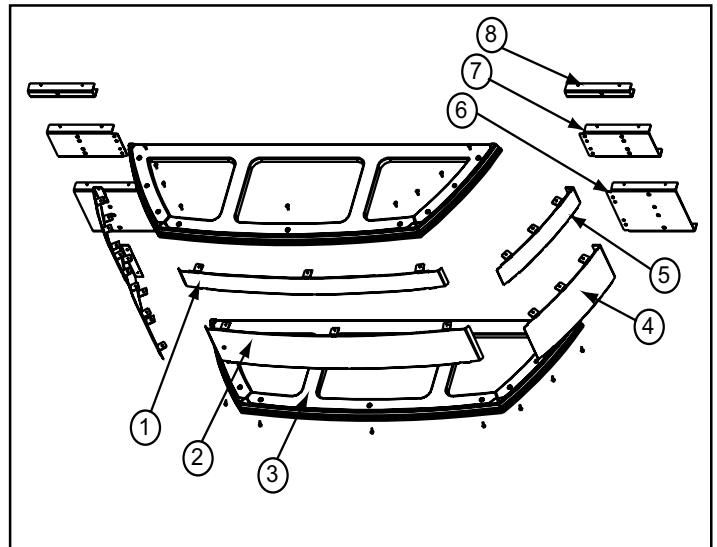


Figure 17.3

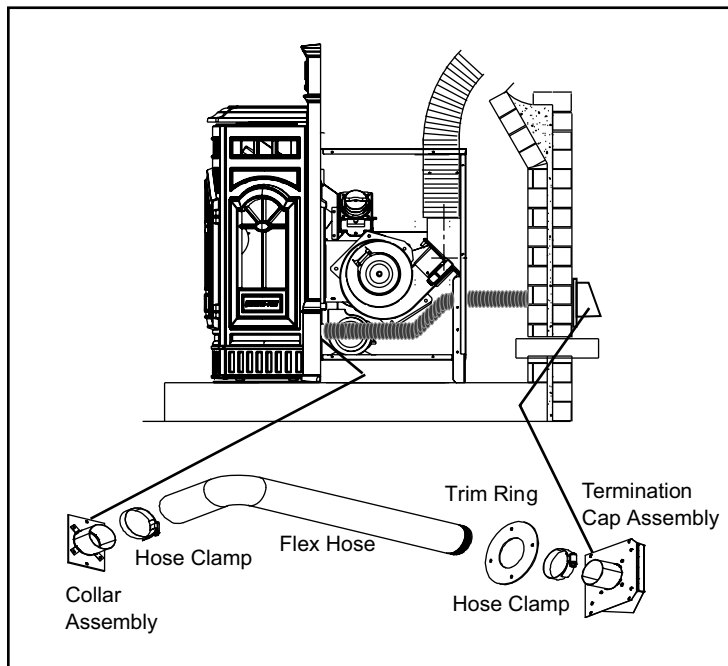


Figure 17.1

Item	Description
1	Front, 3 inch
2	Front, 5 inch
3	Cast Ring, Top & Bottom, Interchangeable
4	Side, 5 inch
5	Side, 3 inch
6	Panel Extension, 5 inch
7	Panel Extension, 3 inch
8	Panel Extension, Base Plate Only

D. Zero Clearance Trim Support (Cont'd)

Kit Includes: See Page 17

Tools Needed: Phillips head screwdriver

1. Remove contents from box and lay on protective surface to avoid scratching the paint.
2. Lay zero clearance front and sides face down. Bend the tab down toward the inside.
3. The side pieces are shipped flat. It is much easier to manually flex the sides into a bowed position before installing.
4. Lay 1 cast ring face up, which will become the bottom ring when installed. Attach the 2 sides FIRST and then the front piece. **Figure 18.1.**
5. Now turn the cast ring right side up and attach the top cast ring. **Figure 18.2.**
6. Attach the zero clearance panel extensions. **Figure 18.3**
7. Attach cast footers. **Figure 18.4.**
8. Place the assembled zero clearance trim support under the insert. **Figure 18.5.**

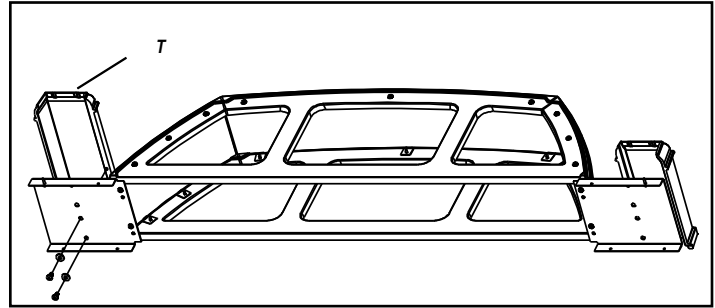


Figure 18.4

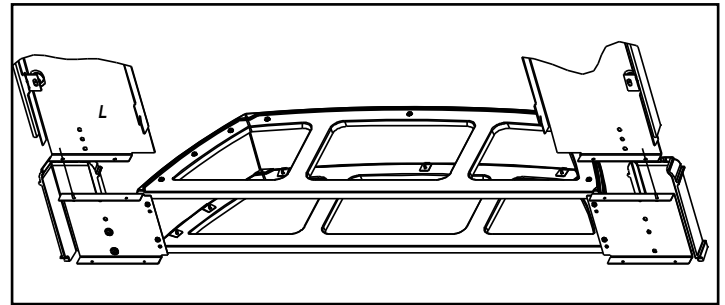


Figure 18.5

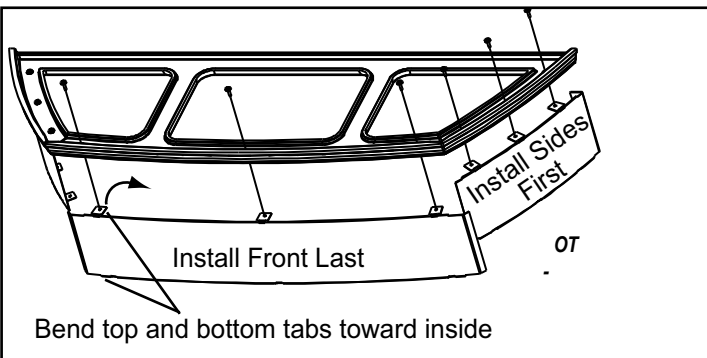


Figure 18.1

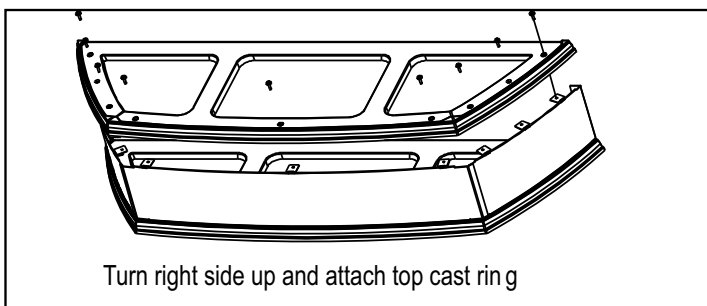


Figure 18.2

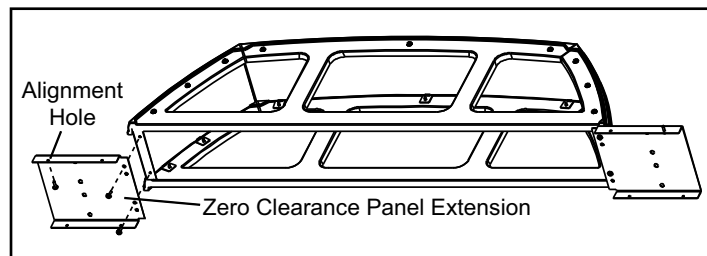


Figure 18.3

Base Plate Only Installation

Parts Needed: (1) cast ring (2) base zero clearance panel extensions. Discard balance of parts.

Tools Needed: Phillips head screwdriver

1. Attach base zero clearance panel extensions to cast ring.
2. Place assembly under appliance.

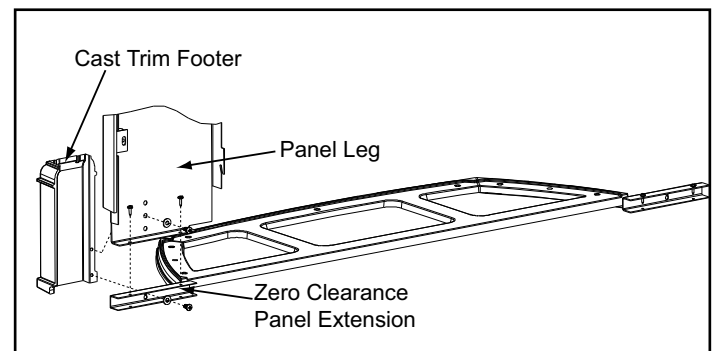


Figure 18.6

E. Panel Set And Cast Trim Set

Included in Panel Kit: (2) side panels, left and right; (1) panel top; (1) fastener package.

Included in Cast Trim Kit: (2) cast trim legs, left and right; (1) cast trim header; (2) cast trim footers, left and right; (1) fastener package.

Tools Needed: Powered Phillips head screw driver

1. Remove contents from box being careful not to scratch or damage the cast trim pieces.
2. Lay the panel set face down on protective covering to prevent scratching the painted surface.
3. Secure the panels legs to top panel with the screws provided.
4. Now bend the tabs down toward the backside of the panel set, 5 on top and 2 on each leg. Leave the panel set face down.
5. Place the corresponding cast trim pieces (2 cast trim legs and 1 cast trim header) underneath the panel set, also face down.
6. Place washer provided over tab and secure the trim and panel together with screw. Continue for all tabs.
7. Secure cast footers with screws.
8. Remove both left and right cast sides from insert, **See Figures 28A, 28B and 28C on page 28.**
9. Slide panel and trim over the top of the insert into place matching the mounting tabs on the panel with the slots on the insert.

CAUTION

- Do NOT pick up assembled unit by corners.
- It is too heavy and may damage the panels.
- Pick up from center.

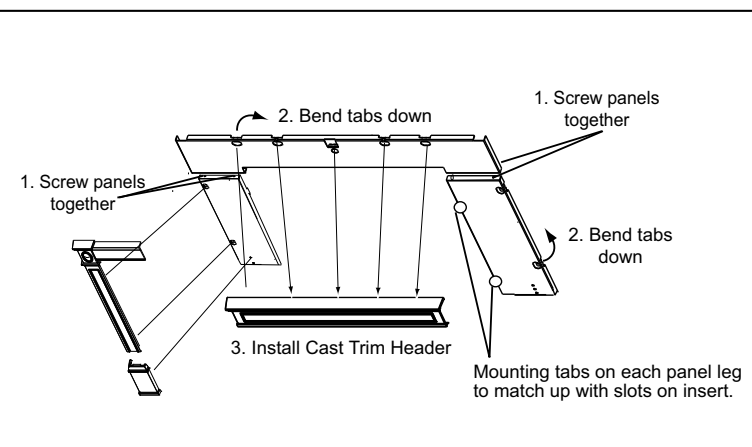


Figure 19.1



Figure 19.2 - Completed View of Panel Set & Cast Trim Set

F. Panel & Trim Set, Econo

Included in Panel & Trim Kit: (2) corner brackets and set screws; (1) trim set, 3 piece; (2) side panels; (1) top panel; (4) screws;

Tools Needed: Powered Phillips head screw driver

1. Secure the top panel to the panel sides with the screws provided. **Figure 19.3.**
2. Assemble the gold trim with the (2) corner brackets provided. **Figure 19.4.**
3. Slide the assembled trim over the assembled panel set.
4. Slide panel and trim over the top of the insert into place matching the mounting tabs on the panel with the slots on the insert.

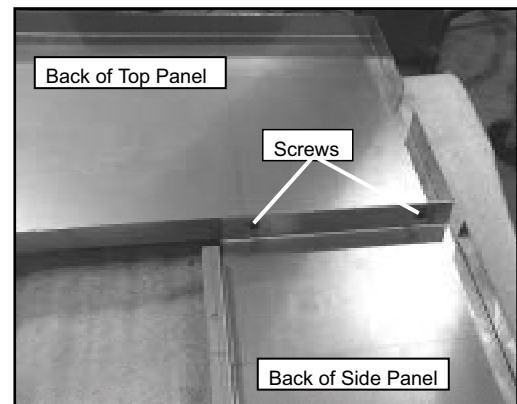


Figure 19.3

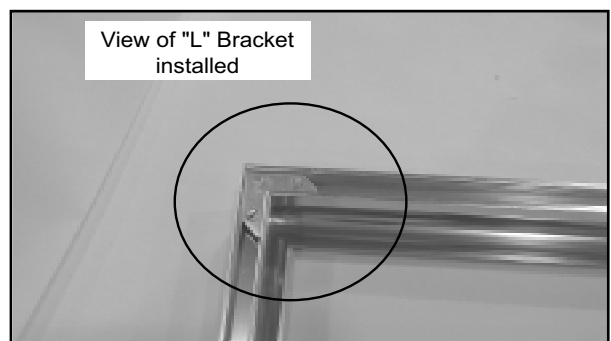


Figure 19.4

G. Optional Log Set Placement Instructions

CAUTION

Logs are FRAGILE. Use extreme care when handling or cleaning logs.

Four Piece Log Set Installation

1. Open the hinged cast face and open the glass door assembly.
2. Positioning the logs.

Place the right rear log as shown. There is a notch in the bottom of the log for clearance for the thermocouple and thermocouple cover (ceramic protection tube).

Figure 20.1

Continue placing the last 3 logs around the firepot as show in **Figures 20.2, 20.3 and 20.4**. Be careful not to block the drop tube in the back of the firebox where pellets feed into the firepot.

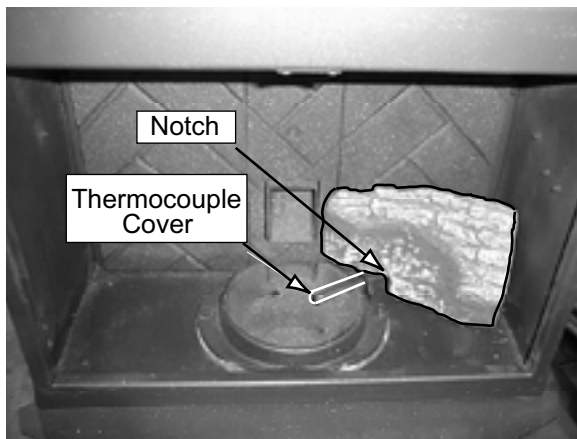


Figure 20.1

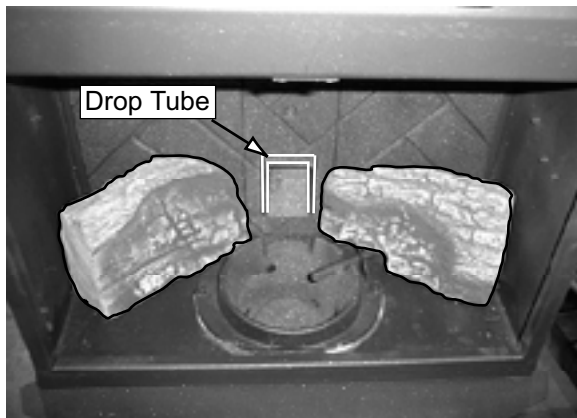


Figure 20.2

NOTE:

Due to the abrasive nature of a pellet appliance fire, the logs are not covered under warranty. Any placement variation other than shown here can cause excessive heat and shall void the appliance warranty.

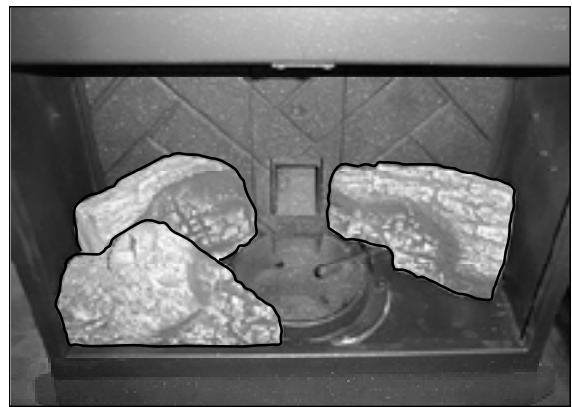


Figure 20.3

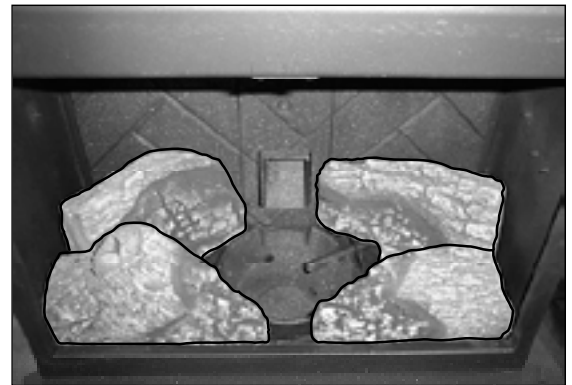


Figure 20.4

Top Log Installation

Place the log over the firepot. The charred area on the log is turned toward the back, not the front.

The log will be about 2-1/2 inches (64mm) above the firepot when in place. It must rest on the 3 logs in a stable position to prevent it from falling into the firepot. **Figure 20.5.**

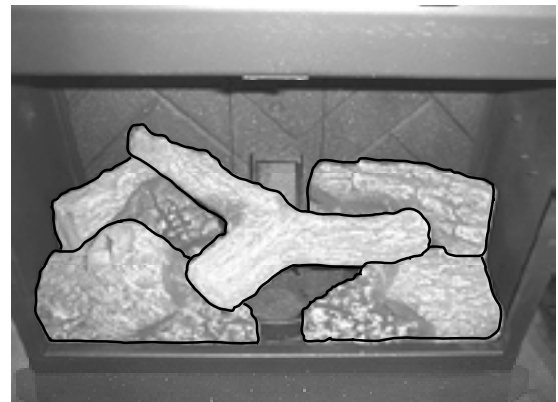


Figure 20.5

H. Thermostat Installation

1. A 12 volt AC thermostat is required to operate this pellet appliance. You may use the included wall mount thermostat or purchase an optional programmable thermostat or remote control. The included thermostat is equipped with an adjustable heat anticipator. The current rating is .05 amps. The anticipator needs to be adjusted to the lowest setting available.
2. When mounting a thermostat on a wall, be sure to follow your thermostat installation instructions carefully.

NOTE: Thermostat must be mounted level for accurate readings. The thermostat should be mounted on an inside wall and not in direct line with the appliance convection air. Remove any packaging from inside the thermostat before using.

NOTE: If the thermostat is located too close to the appliance, you may need to set the temperature setting slightly higher to maintain the desired temperature in your home.

3. There is a 4 screw terminal block located on the junction box to the left of the power cord inlet. The center 2 screws are for the thermostat wires. The outer 2 are the mounting screws for the terminal block. **Figure 21.1.**

CAUTION

Shock hazard.

- Do NOT remove grounding prong from plug.
- Plug directly into properly grounded 3 prong receptacle.
- Route cord away from appliance.
- Do NOT route cord under or in front of appliance.

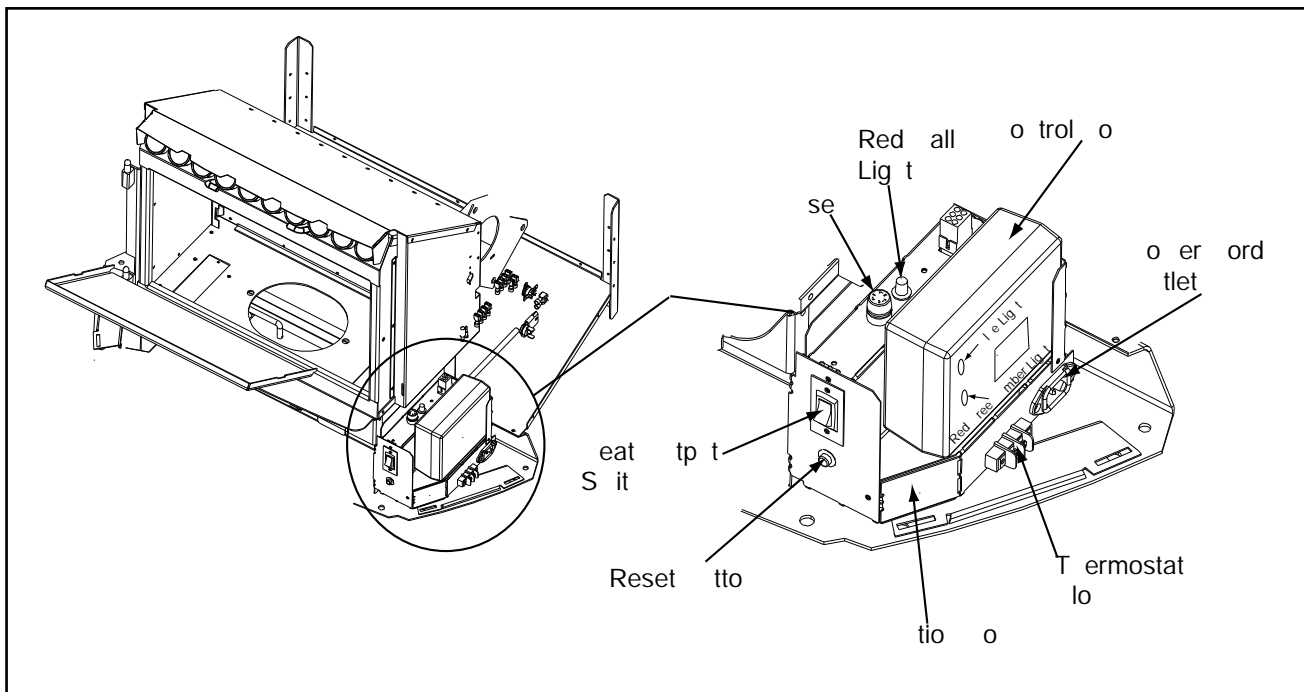


Figure 21.1

8

Operating Instructions

A. Fuel Size And Material

1. Wood Pellets

Fuel pellets are made from sawdust or wood by-products. If the source material is hardwood, they can have a higher mineral content, creating more ash. Fuels containing bark will also have higher ash content. Minerals and other non-combustible materials such as sand will turn into a hard, glass-like substance called a clinker when heated to the extreme temperatures our firepot reaches. This is what forms clinkers in the bottom of the firepot. Trees from different areas will vary in mineral content. That is why some fuels produce more clinkers than others. Pellets are manufactured in either 1/4 inch or 5/16 inch (6-8mm) diameter and should be **no more than 1-1/2 inches (38mm) in length**. Pellet lengths may even vary by lot from the same manufacturer which is why the feed rate may need to be adjusted occasionally. **If you burn pellets longer than 1-1/2 inches (38mm) you may have an inconsistent fuel feed rate and/or missed ignitions.**

Pellet fuel quality can greatly fluctuate. We recommend using premium grade fuel with ash content less than 1%. Even in some fuel labeled "premium" ash content can vary from bag to bag and possibly exceed 1%. High ash fuel, or lack of maintenance, can cause the firepot to fill up and thus create a potential for smoking, sooting and possible hopper fires.

Always burn dry fuel. Burning fuel with high moisture content takes heat from the fuel and tends to cool the appliance, robbing heat from your home. Damp pellet fuel can clog the feed system.

We recommend that you buy fuel in multi-ton lots whenever possible. Buying large quantities of fuel at once will greatly reduce the number of times the feed adjustments will need to be made. However, we do recommend trying various brands before purchasing multi-ton lots to ensure your satisfaction.

WARNING

Fire Risk.

- High ash fuels, or lack of maintenance, can cause the firepot to fill with ash and clinker. If the firepot fills to the top, immediately shut down the appliance and clean.
- Failure to do so could result in smoking, sooting and possible hoper fires.

2. Shelled Field Corn

Shelled field corn can be an efficient and economical fuel. We recommend using a 50-50 blend of corn and wood pellets. The only change in operation; 1) the feed rate may require a slight adjustment and 2) firepot will require more frequent cleanings. The BTU output varies slightly compared to pellets, depending on the quality of the corn used. In cases where it is acceptable for the appliance to run full time, 100% corn will work after the fire has been started using wood pellets.

B. General Operating Information

1. Thermostat Calls For Heat

The appliance is like most modern furnaces; when the thermostat calls for heat, your appliance will automatically light and deliver heat. When the room is up to temperature and the thermostat is satisfied, the red call light will shut off and the appliance will shut down. The red call light is located behind the left access panel.

2. Heat Output Controls

This appliance is equipped with a heat output control switch that has three settings or burn rates; low, medium and high. The appliance will turn on and off as the thermostat demands. When the thermostat calls for heat, the appliance will always start up on High. After burning approximately 4 minutes, the appliance will then burn at the rate at which it was originally set. If the appliance is set at one of the lower settings, it will run quieter but takes longer to heat up an area than if it were set at a higher burn rate. Regardless of the burn rate, when the area is warm enough to satisfy the thermostat, the appliance will shut off.

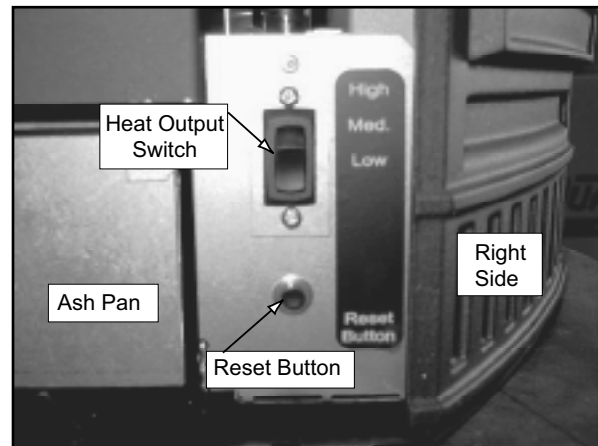


Figure 22.1

WARNING

Fire Risk.

Keep combustible materials, gasoline and other flammable vapors and liquids clear of appliance.

- Do NOT store flammable materials in the appliance's vicinity.
- Do NOT use gasoline, lantern fuel, kerosene, charcoal lighter fluid or similar liquids to start or "freshen up" a fire in this heater.
- Keep all such liquids well away from the heater while it is in use.
- Combustible materials may ignite.

C. Before Your First Fire

1. First, make sure your appliance has been properly installed and that all safety requirements have been met. Pay particular attention to the fire protection, venting and thermostat installation instructions.
2. Double check that the ash pan and firebox are empty!
3. Check the position of the thermocouple, located above the firepot, and make sure that it protrudes approximately 3/4 inch (19mm) into the firepot.
4. Close the front door.

CAUTION

Tip of thermocouple must be in contact with the inside end of the thermocouple cover.

Missed ignitions can occur.

D. Starting Your First Fire

1. A thermostat is required for proper operation of this appliance, except for corn. At this time, fill the hopper with pellets, set the thermostat to its lowest setting. Plug the power cord into nearby outlet.
2. The exhaust blower will stay on for approximately 18 minutes even though the thermostat is not calling for heat. This is normal.
3. Locate the heat output control switch behind the right face on the lower right side of the firebox. Set to the HIGH setting and then adjust the thermostat to its highest setting. The red call light will be on which is located on the top of the junction box behind the right cast side. This indicates the thermostat is calling for heat. **Figure 23.1.**
4. The fuel feed system and the igniter should now be on.
5. For your first fire it will be necessary to press the reset button once a minute until pellets start to drop into the firepot, then press button 1 more time. This will fill the feed system and allow the appliance to begin dropping pellets. The appliance will continue to run as long as the thermostat is calling for heat.
6. Once the appliance has ignited, let it burn for approximately 15 minutes, then set the thermostat to the desired room temperature. Adjust the heat output control switch to the desired setting.

E. Fire Characteristics

A properly adjusted fire with the heat output control switch set on "HIGH" has a short active flame pattern that extends out of the firepot approximately 4 inches (102mm). If the fire has tall flames with black tails and seems somewhat lazy, the feed rate will need to be reduced. If the fire is not 4 inches (102mm) tall, increase the feed rate. A medium and low setting will give a shorter flame. The flame will rise and fall somewhat. This is normal.

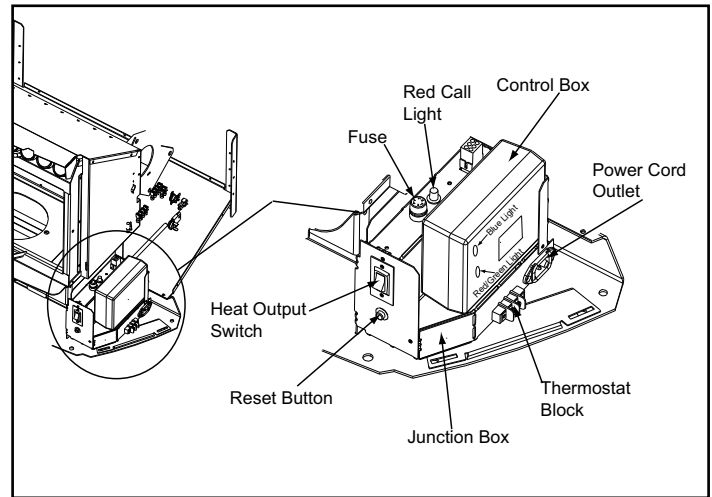


Figure 23.1

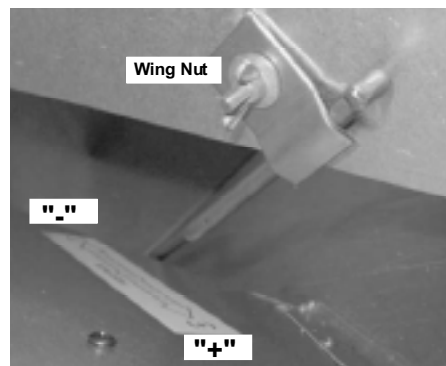
F. Feed Rate Adjustment

The fuel adjustment control rod is factory set, and should be adequate for most fuels.

The set screw is located at the bottom of the hopper and set loose at the factory so the fuel adjustment control rod will slide by only loosening the wing nut. Do not re-tighten bottom set screw.

However, if the flame height is too high or too low, you will need to adjust the feed rate. Wait until the appliance has been burning for 15 minutes before making your adjustments and allow 15 minutes for feed adjustment to take effect. Make adjustments in approximately 1/2 inch increments.

1. Loosen the wing nut. **Figure 23.2.**
2. Adjust the fuel adjustment control rod towards the "+" symbol to increase the feed rate and flame height or towards the "-" symbol, to decrease the feed rate and flame height.
3. Re-tighten the wing nut.



G. Ignition Cycles

1. During each ignition cycle, it is normal to see some smoke in the firebox. The smoke will stop once the fire starts.
2. The convection blower will automatically turn on after your appliance has reached the set temperature. This blower transfers heat from your appliance into the room, and will continue to run after the thermostat has stopped calling for heat until the appliance has cooled down.
3. Occasionally the appliance may run out of fuel and shut itself down. When this happens, the red call light will be on. To restart it, fill the hopper and press the reset button. **See Figure 21.1 on page 21.** When you press the reset button the red call light will go out. Release the button and the light will come back on. You should see a fire shortly. If not, follow the instructions on **page 23**, "Starting Your First Fire".

 WARNING
<div style="display: flex; align-items: center;">  <div> <p>Fire Risk Do NOT operate appliance:</p> <ul style="list-style-type: none"> With appliance door open. Firepot floor open. Cleaning slide plates open. <p>Do NOT store fuel:</p> <ul style="list-style-type: none"> Closer than required clearances to combustibles to appliance Within space required for loading or ash removal. </div> </div>

CAUTION
<p>Odors and vapors released during initial operation.</p> <ul style="list-style-type: none"> Curing of high temperature paint. Open windows for air circulation. <p>Odors may be irritating to sensitive individuals.</p>

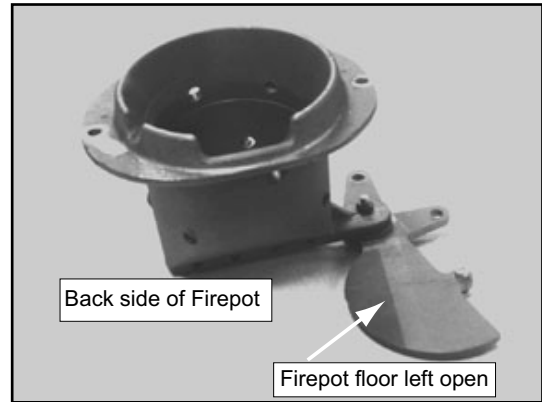


Figure 24.1 - DO NOT LEAVE FIREPOT FLOOR OPEN

H. Frequently Asked Questions

ISSUES	SOLUTIONS
1. Metallic noise.	1. Noise is caused by metal expanding and contracting as it heats up and cools down, similar to the sound produced by a furnace or heating duct. This noise does not affect the operation or longevity of your appliance.
2. Ash buildup on glass.	2. This is normal. Clean the glass.
3. Glass has turned dirty.	3. Excessive build up of ash. The lower burn settings will produce more ash, the higher burn settings produce less. The more it burns on low the more frequent cleaning of the glass is required.
4. Fire has tall flames with black tails and is lazy.	4. The feed rate needs to be reduced or the firepot needs cleaning. Heat exchanger or exhaust blower needs cleaning.
5. Smokey start-up or puffs of smoke from the airwash.	5. Either the firepot is dirty or there is too much fuel at start-up and not enough air. Close down feed rate 1/4 (6mm) inch at a time until this no longer happens.
6. Large flame at start-up.	6. This is normal. Flame will settle down once the fire is established.

9

Troubleshooting

With proper installation, operation, and maintenance your appliance will provide years of trouble-free service. If you do experience a problem, this troubleshooting guide will assist a qualified service person in the diagnosis of a problem and the corrective action to be taken. This troubleshooting guide can only be used by a qualified service technician.

Symptom	Possible Cause	Corrective Action
Plug in appliance - No response.	No current to outlet. .7 amp fuse defective. #3 snap disc tripped or defective. Control box defective.	Check circuit breaker at service panel. Replace fuse. Reset or replace snap disc. Replace control box.
Call light on. No fire. No fuel in firepot.	Out of fuel. #2 snap disc may be defective. Vacuum switch not closing, no vacuum. Control box defective.	Check hopper. Fill with fuel. Replace snap disc. Check exhaust blower is plugged in and operating. Check vacuum switch is plugged in. Check vacuum hose is in good condition, clear and connected at both ends. Check thermocouple is in good condition and plugged in properly. Make sure venting system is clean. Make sure front door is closed. Replace control box.
Call light on. No fire. Partially burned fuel in firepot.	Firepot clean-out plate not closed. Firepot is dirty (missed ignition).	Check that firepot clean-out plate is fully closed. Clean firepot. Make sure there is no clinker in the firepot. Clinkers may have to be broken up with firepot scraper tool or other means.
Call light on. No fire. Unburned pellets in firepot.	Firepot clean-out plate not closed. Firepot is dirty. Ignition hole blocked. Igniter not working. Control box defective.	Check that firepot clean-out plate is fully closed. Clean firepot. Make sure there is not a clinker in the firepot. Clinkers may have to be pushed out of firepot with firepot scraper tool or other means. Scrape with solid piece of wire. Remove ash drawer to see if igniter is glowing red on start-up. Check igniter wires for good connection. Replace igniter using 1/4 inch (6mm) male /female spade connectors. Replace control box.
Slow or smoky start-up.	Firepot clean-out plate not closed. Firepot is dirty. Excessive amount of fuel at start-up.	Check that firepot clean-out is fully closed. Clean firepot. Make sure there is not a clinker in the firepot. Clinkers may have to be pushed out of firepot with firepot scraper tool or other means. Reduce feed rate using feed rate adjustment control rod located inside hopper.

Symptom	Possible Cause	Corrective Action
Slow or smoky start-up (Cont'd)	Dirty exhaust and/or venting system.	Check for ash build up in appliance, including behind rear panels, firebox, heat exchanger, exhaust blower and venting.
Feed system fails to start.	Out of fuel. #2 snap disc may be defective. Vacuum switch not closing. No vacuum. Feed system jammed or blocked. Feed spring not turning with feed motor. Feed motor defective or not plugged in.	Check hopper, fill with fuel. Replace snap disc. Firebox door must be closed securely. Check exhaust blower is plugged in and operating. Check vacuum switch is plugged in. Check vacuum hose is in good condition, clear and connected at both ends. Check thermocouple is in good condition and plugged in properly. Make sure venting system is clean. NOTE: High winds blowing into the venting system can pressurize the firebox causing loss of vacuum. Empty hopper of fuel. Use a wet/dry vacuum cleaner to remove remaining fuel, from hopper, including feed tube. Check feed chute for obstructions. Loosen 2 screws and jiggle feed assembly. Check that set screw is tight on feed spring shaft at end of feed motor. Check connections on feed motor, replace if defective.
No call light. Appliance does not begin start sequence.	Thermostat not set to a high enough temperature. Snap Disc #3 tripped. No power. Fuse blown. Connections at thermostat and/or appliance not making proper contact. Defective thermostat or thermostat wiring. Control box defective.	Adjust thermostat above room temperature. Reset snap disc. Connect to power. Replace fuse. Check connections at thermostat and appliance. Replace thermostat or wiring. NOTE: To test thermostat and wiring, use a jumper wire at the thermostat block on the appliance to by-pass thermostat and wiring. Replace control box.
Appliance fails to shut off.	Call light on.	Turn thermostat off. If call light does not go out, disconnect thermostat wires from appliance. If call light does go out, thermostat or wires are defective.

Symptom	Possible Cause	Corrective Action
Convection blower fails to start.	No call light. #1 snap disc defective. Blower not plugged in. Blower is defective. Control box is defective.	Defective control box. Replace snap disc. Check that blower is plugged into wire harness. Replace blower. Replace control box.
Exhaust blower fails to start or does not shut off.	Blower not plugged in. Blower is clogged with ash. Blower is defective. Control box is defective.	Check that blower is plugged into wire harness. Clean exhaust system. Replace blower. Replace control box.
Large, lazy flame, orange color. Black ash on glass.	Dirty appliance. Poor fuel quality, high ash content. Firepot clean-out plate not completely closed. Excessive amount of fuel.	Clean appliance, including firepot, heat exchangers and venting system. Remove stainless steel baffle from firebox to clean ash from on top of baffle. Clean behind rear brick panels. Change fuel brand to premium. Check that firepot clean-out plate is fully closed. Reduce feed rate using feed rate adjustment control rod located inside hopper.
Nuisance shutdowns.	Low flame. Sawdust buildup in hopper. Feed motor is reversing. Defective thermocouple. Defective control box Firepot more than 1/2 full	Increase feed by opening feed rate adjustment control rod located inside hopper. Clean hopper, see page 31 . Check for good connections between feed motor and wire harness. Replace thermocouple. Replace control box. See page 31 for detailed instructions for "High Ash Fuel Content Maintenance"
Appliance calls for heat. Call light illuminates. Exhaust blower starts. No feed or igniter.	Thermocouple is defective or not properly plugged in. Defective control box	Check connections on thermocouple or replace if defective. A flashing yellow light on the control box indicates a problem with the thermocouple. Replace control box.

10 Maintaining & Servicing Your Appliance

A. Proper Shutdown Procedure

CAUTION

Shock and Smoke Hazard

- Turn down thermostat, let appliance completely cool and exhaust blower must be off. Now you can unplug appliance before servicing.
- Smoke spillage into room can occur if appliance is not cool before unplugging.
- Risk of shock if appliance not unplugged before servicing appliance.

C. General Maintenance

1. Types of Fuel

Depending on the type of fuel you are burning will dictate how often you have to clean your firepot.

If the fuel you are burning has a high dirt or ash content or you are burning shelled field corn, it may be necessary to clean the firepot more than once a day.

Dirty fuel will cause clinkers to form in the firepot. A clinker is formed when dirt, ash or a non-burnable substance is heated to 2000°F (1093°C) and becomes glass-like. See “**C**” page 32 in this section for more details on fuels with high ash content.

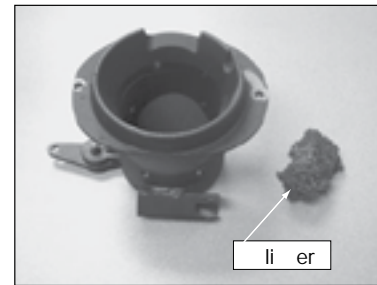


Figure 27.1 - Clinker

B. Quick Reference Maintenance Chart

Cleaning or Inspection	Frequency		Daily	Weekly	Monthly	Yearly
Ash Pan	Every 5 bags of fuel	OR		X		
Ash Removal from Firebox	More frequently depending on the fuel type or ash build-up	OR		X		
Beneath Heat Exchanger	Every 1 ton of fuel	OR			X	
Blower, Combustion (Exhaust)	More frequently depending on the fuel type	OR				X
Blower, Convection	More frequently depending on the fuel type	OR				X
Door Latch Inspection	Prior to heating season	OR			X	
Exhaust Path	More frequently depending on ash build-up	OR				X
Firebox - Prepare for Non-Burn Season	At end of heating season	OR				X
Firepot - Burning pellets	Every 3 bags	OR	X			
Firepot - Burning Corn	Every 1 bag	OR	X			
Glass	When clear view of firepot becomes obscure	OR		X		
Heat Exchanger & Drop Tube	Every 1 ton of fuel	OR			X	
Hopper	Every 1 ton of fuel or when changing fuel types	OR			X	
Top Vent Adapter	More frequently depending on the fuel type or ash build-up	OR				X
Venting System	More frequently depending on the fuel type	OR				X

2. Remove Cast Sides for Cleaning & Maintenance

- a. Loosen screw on top right corner directly under the cast top, but do not remove. **Figure 28.1.**
- b. With thumb, press upward on the frame to relieve the pressure on the cast side. **Figure 28.2.**
- c. Slide the cast side downward as shown in **Figure 28.3.** (The top has been removed to show the details.)
- d. Lay sides on protective padding to avoid scratching the paint or chipping the porcelain.
- e. Repeat for the other side.

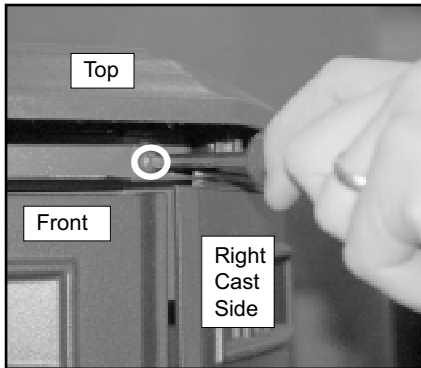


Figure 29.1

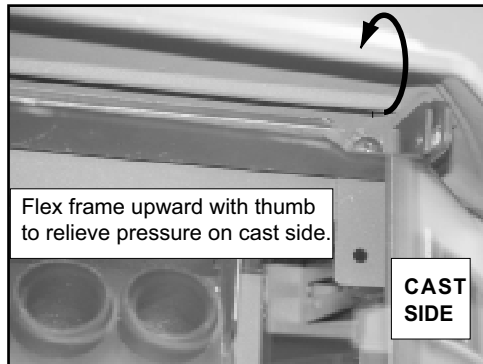




Figure 29.2



Figure 29.3

3. Cleaning Firepot with Cleaning Rod & Firepot Scraper

- **Frequency:** Daily or more often as needed
- **By:** Homeowner
 - a. The appliance must be in complete shutdown and cool and the exhaust blower off. If you are just cleaning the firepot, there is no need to unplug the appliance.
 - b. Pull firepot cleaning rod OUT a couple of times to help shake debris loose. **See Figure 30.1 on page 30.** If rod is hard to pull, it may be necessary to use your firepot clean-out tool to chip away material that has built up on the bottom plate of the firepot and to push out any clinkers. Larger clinkers may have to be removed from the top of the firepot. Corn clinkers can be especially difficult to break up.
 - c. The firepot floor plate must be fully closed when finished. **See Figure 24.1 on page 24.**

 WARNING	
	Fire Risk
	• NEVER pull firepot cleaning rod or cleaning slide plates out when appliance is operating.
	• The cleaning slide plates must be fully CLOSED when appliance is operating.
	• Hot pellets may fall into ashpan and start a fire or mis-starts due to lack of vacuum.

4. Ash Removal from Firebox

- **Frequency:** Weekly or more frequently depending on ash build-up.
- **By:** Homeowner
 - a. Allow the appliance to completely cool down. There must not be any hot ashes in the firebox during cleaning. Turn the thermostat on and then immediately off to start the exhaust blower on its cycle time. It will pull fly ash out the exhaust instead of into the room.
 - b. Frequent cleaning of the ash in the firebox will help slow down the build-up of ash in the exhaust blower and vent system.
 - c. Open door. There are 2 cleaning slide plates to the left and right of the firepot with finger holes. Pull both slide plates out and open the glass door and sweep the remaining ash from the firebox into the 2 open holes. A paint brush works well for this. Close slide plates.
 - d. This ash is deposited in the same ash pan as the firepot debris. The ash pan should be emptied every time you clean the firebox. Remember to place the ash and debris into a metal or non-combustible container. **See Disposal of Ashes.**




5. Cleaning Ash Pan

- **Frequency:** Weekly or every 5 bags of fuel
- **By:** Homeowner

Locate the ash pan underneath the firepot. Open the bottom ash door and slide the ash pan straight out. Empty into a non-combustible container and re-install ash pan. **See Disposal of Ashes.**



6. Cleaning Heat Exchanger Chambers & Drop Tube

- **Frequency:** Monthly or every 1 ton of fuel
- **By:** Homeowner

	WARNING
	Heat exchanger cleaning rods may be warm to the touch. For safety purposes wear gloves.
	Do not pull heat exchanger cleaning rods while appliance is operating. Push cleaning rods IN when done, DO NOT leave cleaning rods OUT. Injury can occur.

The amount of ash buildup in the firepot will be a good guide to determine how often you should clean the heat exchangers.

- Allow the appliance to completely cool down before pulling the cleaning rods. Turn the thermostat on and then immediately off to start the exhaust blower on its cycle time. It will pull fly ash out the exhaust instead of into the room. Open the cast front door to access the 2 cleaning rods. **See Figure 29.1 on page 29.**
- Locate the 2 rods directly underneath the heat exchanger tubes. Rods are bent at a 90° angle for easy handling.
- To clean, pull the rods straight out until it stops, approximately 10 inches (254mm). Slide the rods OUT and IN a couple of times.

	WARNING
	<p>Disposal of Ashes</p> <ul style="list-style-type: none"> • Ashes should be placed in metal container with tight fitting lid. • Ashes should be retained in closed container until all cinders have thoroughly cooled.

7. Disposal of Ashes

- **Frequency:** As needed
- **By:** Homeowner

Ashes should be placed in a metal container with a tight-fitting lid. The closed container of ashes should be placed on a non-combustible floor or on the ground, well away from all combustible materials, pending final disposal.

If the ashes are disposed of by burial in soil or otherwise locally dispersed, they should be retained in the closed container until all cinders have been thoroughly cooled.

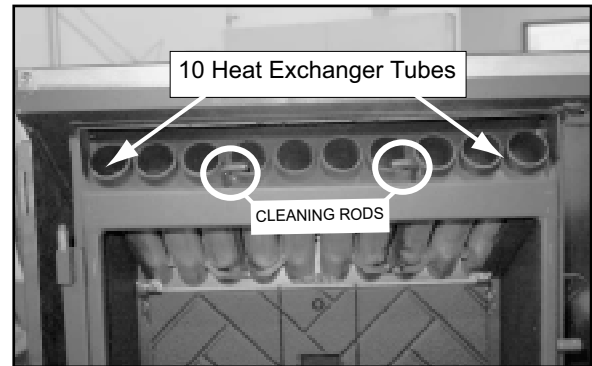


Figure 30.1

8. Cleaning Beneath Heat Exchanger

- **Frequency:** Monthly or after burning 1 ton of fuel
 - **By:** Homeowner
- Be sure the appliance is allowed to cool, has been unplugged and the exhaust blower is off
 - A more thorough cleaning is needed to remove the excess ash that is left behind from the use of the cleaning rods for the heat exchanger tubes.
 - The ash will be resting on the back of the baffle. This will require removing the cast baffle. Please refer to **page 33** for a detailed explanation of removing the baffle.

NOTE: There are heavy duty vacuum cleaners specifically designed for solid fuel appliance cleaning.

9. Cleaning the Exhaust Path

- **Frequency:** Yearly or more frequently depending on ash build-up.
 - **By:** Homeowner
- Appliance must be completely cool.
 - Open cast front door. Remove right brick and thoroughly vacuum the area and continue throughout the rest of the firebox. **See Figure 33.3 on page 33.**
 - Replace right brick and close cast front door.

10. Cleaning the Hopper

- **Frequency:** Monthly or after burning 1 ton of fuel
- **By:** Homeowner

After burning approximately 1 ton of fuel you will need to clean the hopper to prevent sawdust build-up.

A combination of sawdust and pellets on the auger reduces the amount of fuel supply to the firepot. This can result in nuisance shutdowns and mis-starts.

- a. The appliance must be in complete shutdown. Allow the appliance to completely cool down.
- b. Empty the hopper of any remaining pellets.
- c. Vacuum the hopper and feed tube.

11. Soot and Fly Ash: Formation & Need for Removal in Exhaust Venting System.

- **Frequency:** Yearly or more frequently depending on ash build-up.
- **By:** Qualified Service Technician/Homeowner

Be sure the appliance is allowed to cool, has been unplugged and the exhaust blower is off.


The products of combustion will contain small particles of fly ash. The fly ash will collect in the exhaust venting system and restrict the flow of the flue gases.

At start-up if there is incomplete combustion, or if there is a shutdown or incorrect operation of the appliance it will lead to some soot formation. This will collect in the exhaust venting system.

The venting system may need to be cleaned at least once a year or more often depending upon the quality of your fuel or if there is a lot of horizontal pipe sections. Ash will build up more quickly in the horizontal sections.

12. Cleaning the Glass

- **Frequency:** When clear view of the firepot becomes obscure
 - **By:** Homeowner
- a. Appliance must be completely cool before cleaning glass.
 - b. Use a damp paper towel or any non-abrasive glass cleaner. Wipe off with dry towel.

	<p style="text-align: center;">CAUTION</p> <p>Handle glass assembly with care.</p> <p>When cleaning glass:</p> <ul style="list-style-type: none"> • Avoid striking, scratching or slamming glass. • Do NOT clean glass when hot. <ul style="list-style-type: none"> • Do NOT use abrasive cleaners. • Use a hard water deposit glass cleaner on white film. • Refer to maintenance instructions.
---	--

13. Cleaning Convection Blower - Requires No Lubrication

- **Frequency:** Yearly or as needed
 - **By:** Qualified Service Technician
- a. The appliance must be in complete shutdown and completely cooled.
 - b. Remove both the left and right cast sides.
 - c. Use either a can of compressed air or an air compressor.
 - d. Reach as far back as possible and spray compressed air liberally from both sides at the blower. This will remove any lint or dust build-up on the impellers.

14. Cleaning Exhaust Blower - Requires No Lubrication



- **Frequency:** Yearly or as needed
- **By:** Qualified Service Technician
- **Task:** Contact your local dealer.

15. Door Latch Inspection

- **Frequency:** Prior to heating season
- **By:** Homeowner

The door latch is non-adjustable but the gasketing between the glass and firebox should be inspected periodically to make sure there is a good seal.

NOTE: There is no gasket on the bottom of glass.

	<p style="text-align: center;"> WARNING</p> <p>Handle glass with care.</p> <ul style="list-style-type: none"> • Inspect the gasket to ensure it is undamaged. • Do NOT strike, slam or scratch glass. • Do NOT operate appliance with glass assembly removed. <ul style="list-style-type: none"> • Do NOT operate with glass cracked, broken or scratched.
---	---

16. Door Gasket Inspection

- **Frequency:** Monthly or after burning 1 ton of fuel
- **By:** Homeowner

To inspect the door rope (gasket), open the door and see that the door rope extends approximately 1/8 to 3/16 inch (3 to 9.5mm) from the door rope channel.

It should show signs of compaction all the way around the door where the rope contacts the face of the insert.

17. Preparing Firebox for Non-Burn Season

- **Frequency:** Yearly
- **By:** Homeowner
 - a. Be sure the appliance is allowed to cool, has been unplugged and the exhaust blower is off.
 - b. Remove all ash from the firebox and vacuum thoroughly.
 - c. Paint all exposed steel, including cast-iron.
 - Use the Touch-Up paint supplied with the appliance; or;
 - Purchase paint from your local dealer.
 - Must use a high-temperature paint made specifically for heating appliances.

D. High Ash Fuel Content Maintenance

- **Frequency:** When the ash build-up exceeds more than half way up the firepot.
- **By:** Homeowner

Poor quality pellet fuel, or lack of maintenance, can create conditions that make the firepot fill quickly with ashes and clinkers.

This condition makes the appliance susceptible to overflowing the firepot with pellets which may result in smoking, sooting and possible hopper fires. **Figure 32.1** shows an example where the firepot overfills, pellets back up into the feed tube and ash has accumulated in the firebox.

An inefficient and non-economical method of burning of fuel caused by poor quality pellet fuel is shown in **Figure 32.2**.

The correct flame size when good quality, premium pellet fuel is burned is shown in **Figure 32.3**.

If the ash buildup exceeds the half way point in the firepot **IMMEDIATE ATTENTION AND CLEANING IS REQUIRED.**

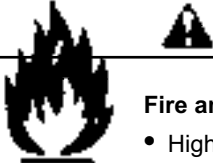

	<p>WARNING</p>
	<p>Fire and Smoke Risk.</p> <ul style="list-style-type: none"> • High ash fuels or lack of maintenance can cause firepot to overflow. Follow proper shutdown procedure if ash buildup exceeds half way point in firepot. • Failure to do so could result in smoking, sooting and possible hopper fires.



Figure 32.1

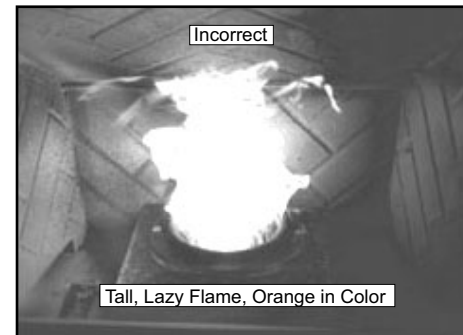


Figure 32.2

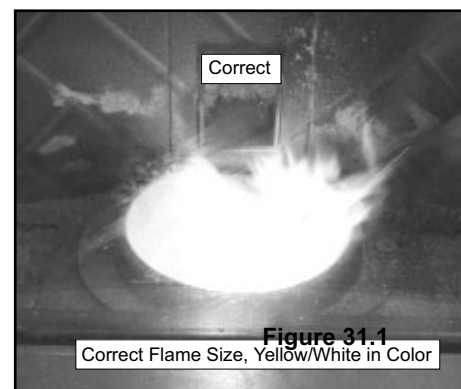


Figure 32.3

E. Igniter Replacement

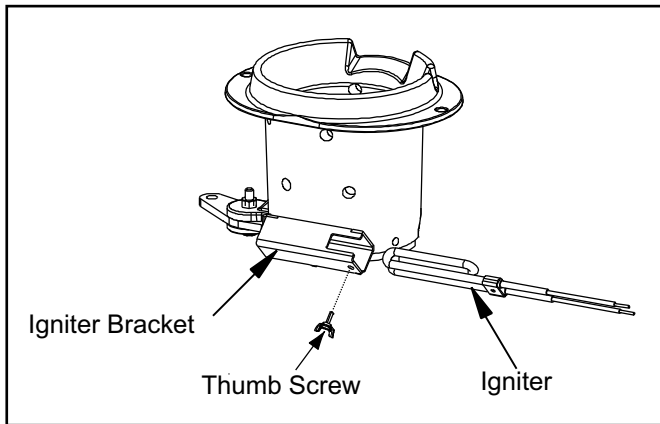


Figure 33.1

- a. Shut down the appliance by turning down the thermostat and let the appliance completely cool down. After the appliance has cooled down, unplug it and remove the ash pan.
- b. The wire leads to the igniter are connected to the wire harness with 1/4 inch (6mm) male / female spade connectors. These wires will pull forward approximately 4 to 5 inches (102 to 127mm). Disconnect the spade connections and remove the igniter from the chamber. Loosen the thumb screw and slide igniter out.
- c. Install new igniter into the chamber and tighten the thumb screw. Re-connect the wires to the 2 leads with the spade connectors.
- d. Remove the right cast side and pull the wire leads back toward the rear of the appliance to take-up the 4 to 5 inches (102mm to 107mm) previously pulled out. This will keep the wires out of the way of the ash pan. Double check that the igniter wires are clear of any movement, i.e. ash pan, firepot cleaning rod, cleaning slide plates, etc.
- f. Re-install the ash pan and then re-install the cast side panel and re-connect the power.

F. Glass Replacement

⚠ WARNING

- Glass is 5mm thick high temperature heat-resistant ceramic glass.
- DO NOT REPLACE with any other material.
- Alternate material may shatter and cause injury

- a. Open hinged cast face and lift door assembly off from the insert and lay on a flat surface face down.
- b. Using a screwdriver, tap the bottom of the rope retainer rod to push it up out of the hole. The top end of the rod will slide up. Swing the rod toward you from the bottom and remove the rod. Repeat for other side.
- c. Remove old glass and replace with new glass.
- d. Slide the retainer rod into the top hole first, and then line up the bottom crimped end with the hole in the door. The crimped end must be parallel with the glass in order to insert it into place. **Figure 33.2.**

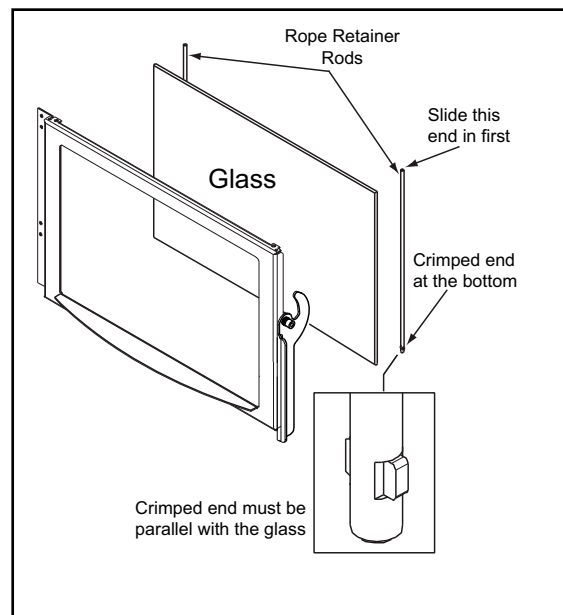


Figure 33.2

G. Baffle & Brick Set Removal

1. Follow proper shutdown procedures on **Page 28**.
The top baffle has a hook on the bottom left side that rests on the top lip of the cast brick. There is a tab on the bottom right side that hooks into the side bracket. Remove the top baffle by first pulling the baffle forward until back edge drops down. Then slide baffle back until the front edge clears the shelf that it had been resting on. **Figure 34.1**.
3. The top baffle must be removed before you can remove the right and left brick. Remove the right brick by holding top lip of brick and lifting up, then push outside edge back. Slide brick to the right until it is flush with the firebox. Rotate the inside edge of the brick forward and remove brick. Repeat for left brick. **Figure 34.2**.

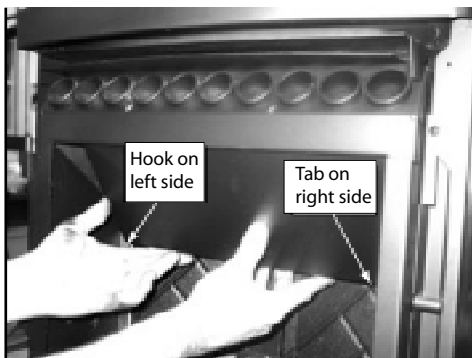


Figure 34.1

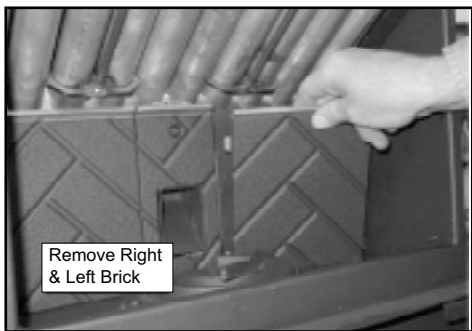


Figure 34.2

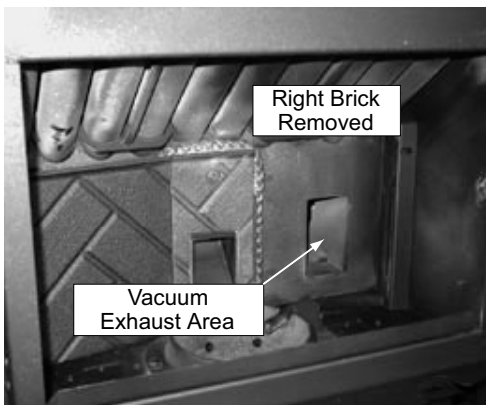


Figure 34.3

Re-installing Baffle & Brick Set

1. Place right brick in behind the right bracket, and then slide to the left so the tabs are behind the center brick. **Figure 34.4**
2. The brick will be flush against the back wall and notches exposed in the side bracket. **Figure 34.5**.
3. Lift slightly and pull the right edge of the brick forward until it stops and then drops down into both top and bottom notches of right bracket and locks into place. **Figures 35.1 and 35.2**.
4. Repeat for left brick.
5. Insert baffle into top front inside the firebox and pull forward. Then raise up the bottom end and insert baffle tab into slot on the top of the right bracket to lock into place. **Figure 35.3**. Place the left side hook at the bottom of the baffle over the top edge of brick for stability. **Figure 35.4**.
6. The baffle does not completely cover the top of the firebox. There is an opening on the left as shown in **Figure 35.5**.

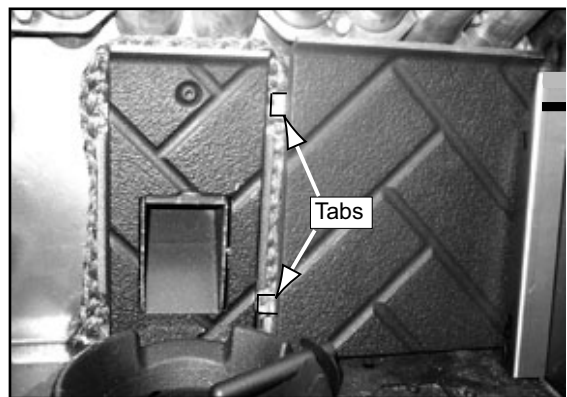


Figure 34.4

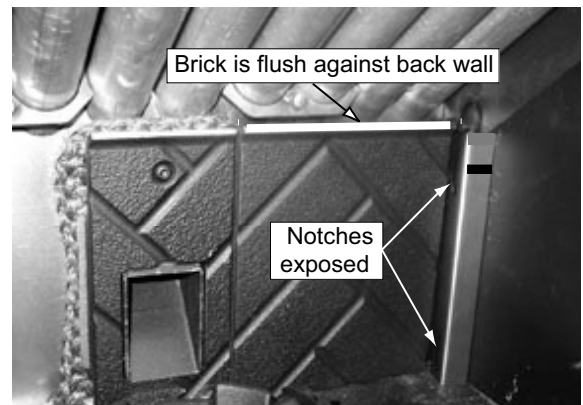


Figure 34.5

Re-installing Baffle & Brick Set (Cont'd)



Figure 35.1

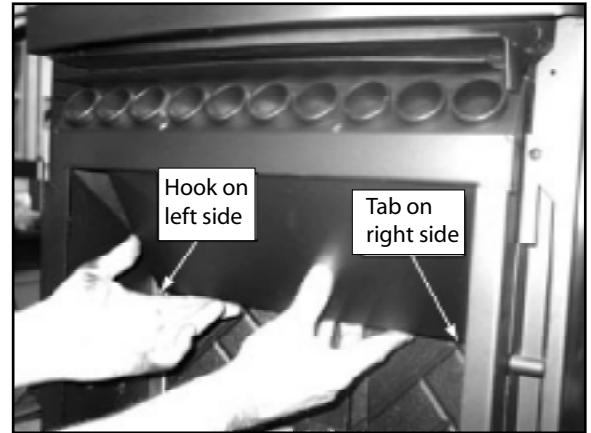


Figure 35.4



Figure 35.2



Figure 35.5



Figure 35.3

11

Reference Materials



When describing the location of a component part it is always **AS YOU FACE THE FRONT OF THE APPLIANCE**.

A. Component Function

1. Control Box

- The control box is located on lower right side of appliance, behind cast side on top of the junction box.
- There is a light located inside of the control box. The internal light will turn green when the appliance has reached a temperature of 200°F (93°C) in the firepot. and will turn red when it reaches 600°F (315°C).
- There is also an internal blue light located in the upper left corner of the control box. When you plug in the appliance the blue light will automatically start blinking 6 blinks every 10 seconds for 60 seconds and then will stop.

NOTE:

Do **NOT** open the control box. This will void the warranty. If you need to plug in or remove the control box you must first **unplug the appliance**.

2. Convection Blower

The convection blower is mounted at the bottom rear of the appliance. There are 2 impellers, one on each side of the motor. The convection blower pushes heated air through the heat exchange system into the room.

3. Exhaust Blower

The exhaust blower is mounted on the right side of the appliance behind the right cast side. The exhaust blower is designed to pull the exhaust from the appliance and push it out through the venting system.

4. Feed System

The feed system is located on the right side and can be removed as an entire assembly. The assembly includes the feed motor, mounting bracket, bearing and feed spring (auger). The hollow feed spring (auger) pulls pellets up the feed tube from the hopper area and drops them down the feed chute into the firepot.

5. Firepot

The firepot is made of high quality ductile iron and has a cleaning pull-out rod. The floor of the firepot opens for cleaning when you pull out the rod. Be sure that the floor returns to a completely closed position or your appliance will not operate properly.

6. Fuse

The fuse is located on the right side behind the control box. The fuse will blow should a short occur and shut off power to the appliance.

7. Heat Exchangers

The heat exchangers transfer heat from the exhaust system into convection air. There are 2 clean out rods located under the heat exchangers.

8. Heat Output Switch

The heat output switch is located on the lower right side of firebox, behind the right face above the reset button. The function of the heat output switch is to regulate the burn rates; low, medium and high settings.

9. Igniter

The igniter is mounted on the base of the firepot. Combustion air travels over the red hot igniter creating super heated air that ignites the pellets.

10. Junction Box And Wiring Harness

The junction box is located behind right cast side of the appliance. The junction box and wiring harness are replaced as one component.

11. Power Supply

The power outlet is located behind the right cast side of the appliance behind the thermostat block on the junction box. Check the wall receptacle for 120 volt, 60 Hz (standard current). Make sure the outlet is grounded and has the correct polarity. A good surge protector is recommended. When operating with a generator you need at least 600 watts of power, or with an inverter at least 800 watts of power available for the appliance during the start cycle.

12. Red Call Light

The red call light is located behind the fuse behind the right cast side. The function of the red call light is to indicate that the thermostat is calling for heat.

13. Reset Button

The reset button is located on the lower right side of firebox behind right face and below the heat output control switch. The function of the switch is to momentarily open the thermostat circuit, which restarts the system.

14. Thermocouple

The thermocouple is located on top of the firepot inside the thermocouple cover (ceramic protection tube). The thermocouple sends a millivolt signal to the control box indicating the preset temperatures of the green and red lights have been obtained.

15. Thermostat

The appliance is designed to run on a 12 volt AC thermostat. The heat anticipator, if present, should be set on the lowest setting available.

16. Snap Disc #1 (Convection Blower) 110°F

Snap disc #1 is located behind the right cast side of the firebox above the red call light. There are 2 purple wires connected to it. This snap disc turns the convection blower on and off as needed. Power is always present at snap disc #1.

17. Snap Disc #2 (Fuel Delivery Interrupt) 250°F

Snap disc #2 is located on the back side of the feed drop tube. There is 1 orange wire and 1 black wire connected to it. This snap disc will turn off the feed system, which will turn off the appliance if an overfire condition should occur or if the convection blower should fail to operate. If this occurs the snap disc will automatically reset itself.

18. Snap Disc #3 (Burn Back Protector) 250°F

Snap disc #3 is mounted on the back of the auger tube in the center of the appliance and has a reset button. To access it remove the right cast side. If the fire tries to burn back into the feed system or push exhaust up the feed tube, this snap disc will shut the entire system off. This disc must be manually reset.

19. Vacuum Switch

The vacuum switch is located at the back of the appliance. This switch turns the feed system on when vacuum is present in the firebox. The vacuum switch is a safety device to shut off the feed motor if the exhaust or the heat exchanger system is dirty or plugged or if the firebox door is open.

20. Wiring Harness

See Figure 37.1 below

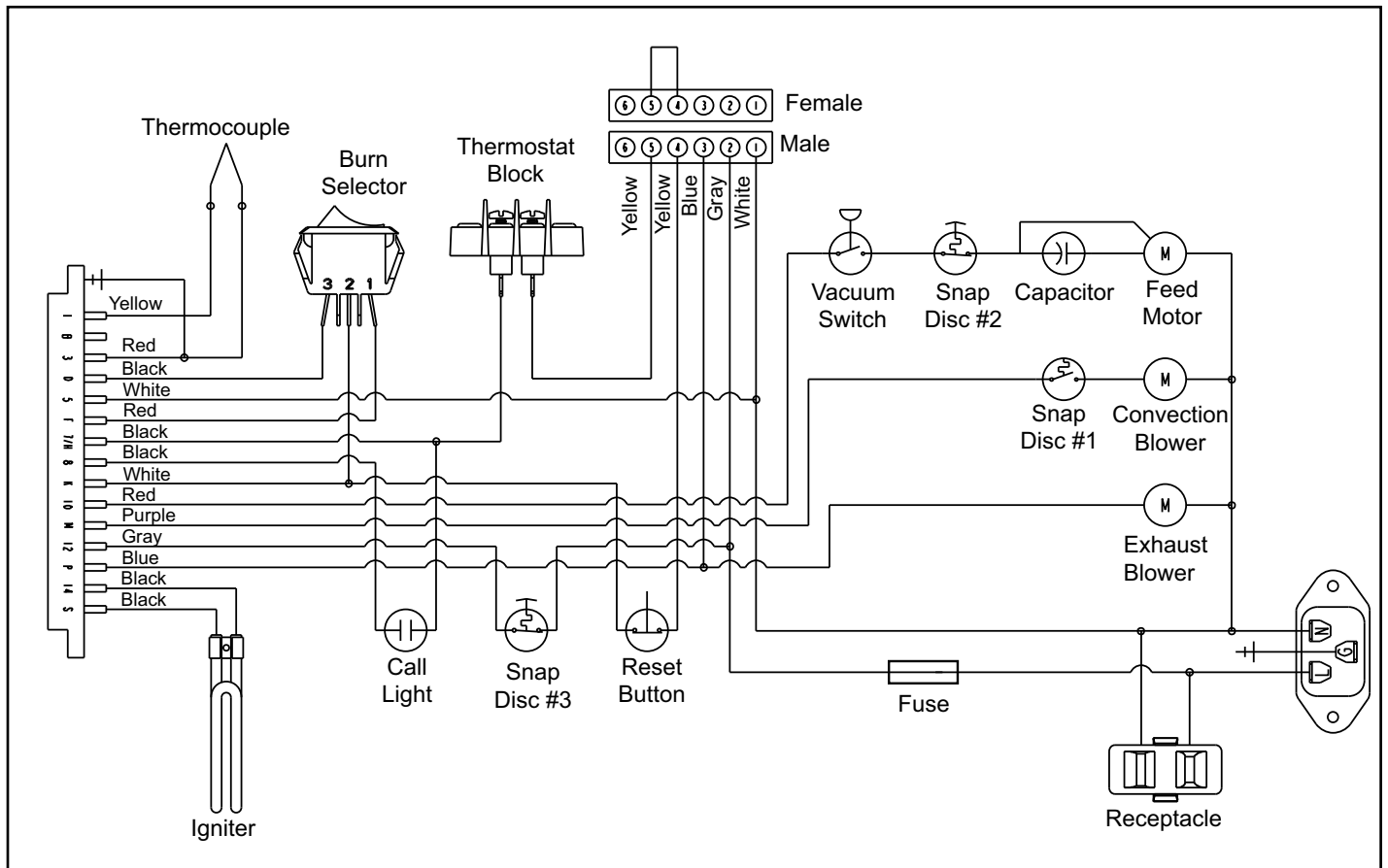
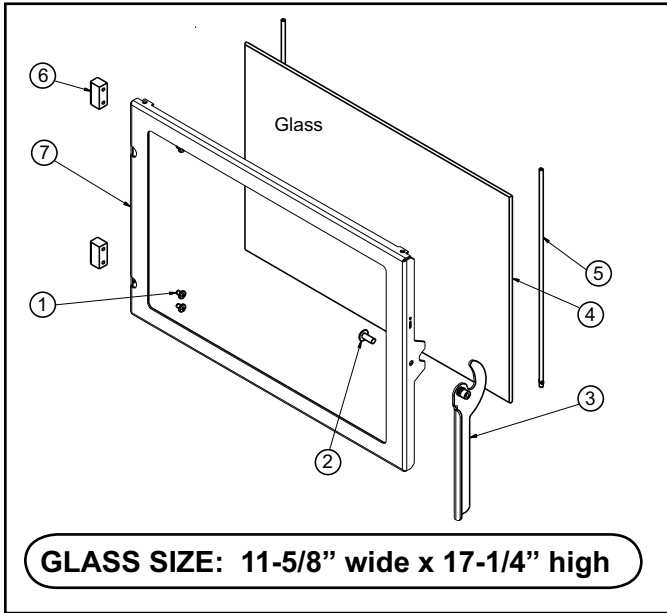


Figure 37.1

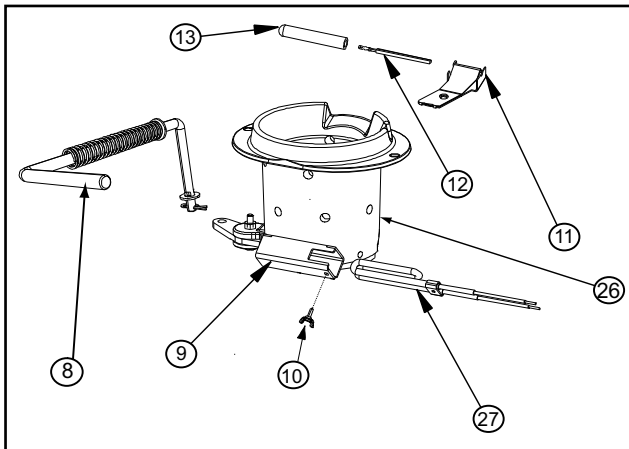
C. Exploded Views

Beg. Manufacture Date: July, 2005



Item	Description	Part Number
1	Screw 10-32 x 5/16 PH PHL MS ZC	229-1230
2	Screw 1/4-20 x 5/8 TH PHL	220-0440
3	Door Latch Assembly	413-5200
4	Glass Assembly	7001-038
5	Rope Retainer	7001-192
6	Hinge, Female	450-2910
7	Door	414-0400

Figure 38.1 - Door, Glass, & Handle Assembly



Item	Description	Part Number
8	Firepot Pull Rod Assy	414-5270
9	Igniter Bracket	not sellable
10	Thumb Screw	7000-223
11	Thermocouple Clamp	7001-203
12	Thermocouple	812-4470
13	Thermocouple Cover	812-1322
26	Firepot	SRV414-5200
27	Igniter	SRV7000-226

Figure 38.2 - Firepot Assembly

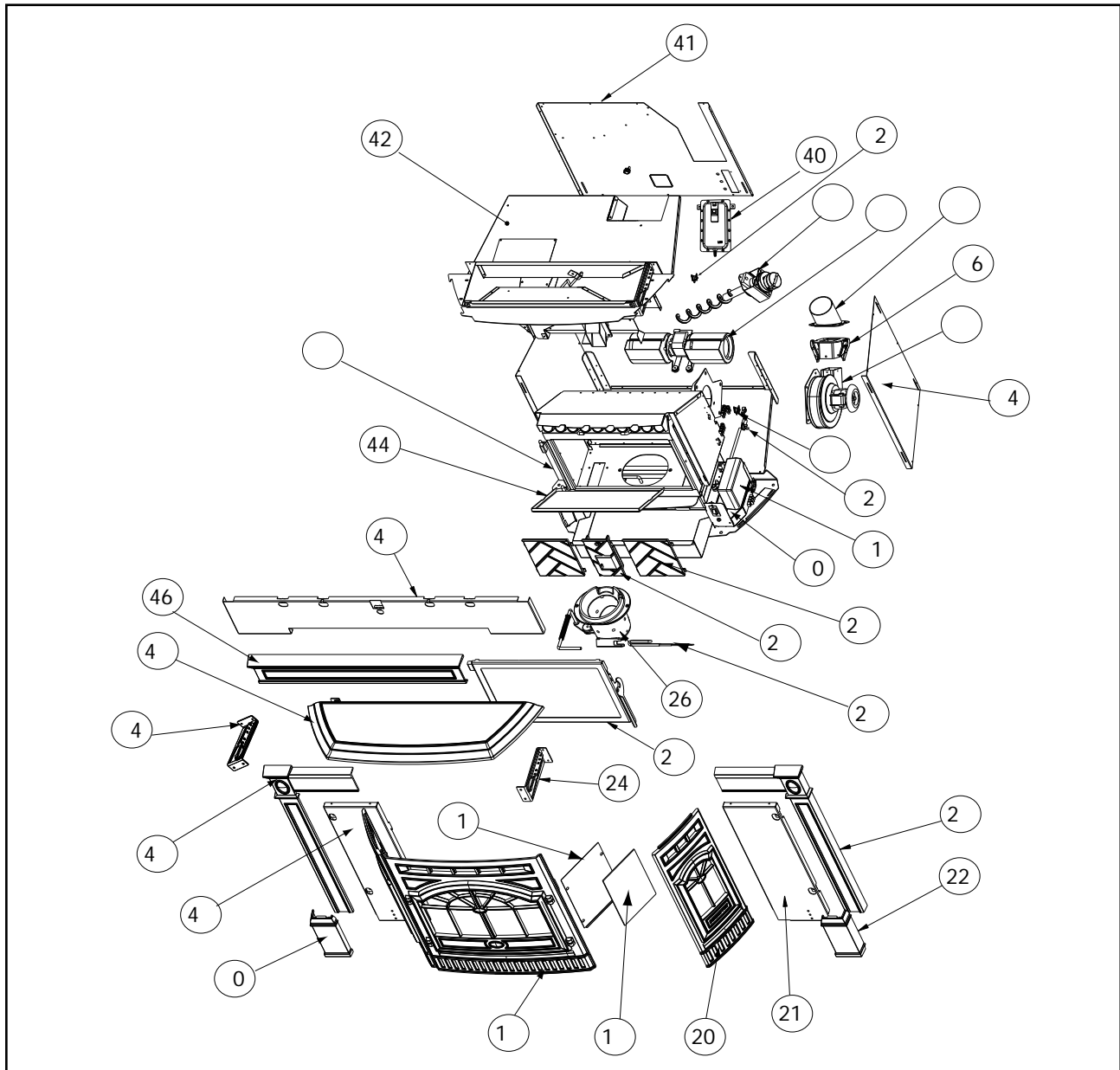


Figure 40.1

#	Description	#	Description	#	Description	#	Description
18	Face, Cast	27	Igniter	36	Exhaust Transition	46	Trim, Cast, Header
19	Glass, Side Window	28	Brick, Center, Cast	37	Exhaust Adapter, Top/Rear	47	Top, Cast
20	Side, Cast	29	Brick, Side, Cast	38	Blower, Convection	48	Trim, Cast, Leg, Left
21	Panel, Side, Right (not sellable)	30	Junction Box	39	Feed Motor Assembly	49	Panel, Side, Left (not sellable)
22	Trim, Cast, Footer, Right	31	Control Box	40	Vacuum Switch	50	Trim, Cast Footer, Left
23	Trim, Cast, Leg, Right	32	Snap Disc #3	41	Hopper Back (not sellable)	51	Side Glass Backer
24	Hopper Top Slide, Right	33	Snap Disc #1	42	Hopper (not sellable)	52	Snap Disc #2
25	Door & Glass Assembly	34	Outerskin, Interchangeable	44	Baffle	53	Bracket, Hinge
26	Firepot	35	Blower, Exhaust	45	Panel, Top (not sellable)	54	Hopper Top Slide, Left

D. Service Parts and Accessories

IMPORTANT: THIS IS DATED INFORMATION. The most current information is located on the Quadra-Fire web site at www.quadrafire.com. When ordering, supply serial and model numbers to ensure correct service parts.

Item #	Part Description, Alphabetical Order	Part Number
	Ash Pan	414-0130
44	Baffle Assembly	UK-30KPEL
38	Blower, Convection	812-4900
35	Blower, Exhaust with Gasket & Housing	812-4400
	Bracket, Hinge	SRV414-0610
28	Brick, Center, Cast	414-0260
29	Brick, Side, Cast, (interchangeable)	414-0270
	Call Light, Fluorescent	SRV7000-122
	Component Pack (Includes firepot scraper, touch-up paint, power cord & wiring harness to thermostat and manual, owner's manual, warranty card, consumer's view card and "How-to-Operate" DVD	MBK: 414-5390 PMH: 414-5460 CCR: 414-5480 CLG: 414-5410 CME: 414-5420 CSB: 414-5510 CWL: 414-5520
31	Control Box	SRV7000-205
25	Door Assembly with Glass & Gasket	414-5190
3	Door Latch Assembly	413-5200
18	Face, Cast, Matte Black	414-0040BK
18	Face, Cast, Porcelain (specify color)	414-0040POR
19	Face, Cast, Powder Coat, (specific color)	414-0040PWD
39	Feed Assembly	414-5400
	Feed Motor Bracket Assembly	7001-039
	Feed Motor Only w/capacitor	812-4421
	Feed Spring Only	812-3600
	Firepot Bottom Slide Plate	414-0290
8	Firepot Pull Rod Assembly	414-5270
26	Firepot, EZ Clean	SRV414-5200
	Fuse, .7 amp, Junction Box	812-0380
	Gasket, Exhaust Blower (Round White) between blower & housing	812-4710
	Gasket, Firepot	240-0930
	Gasket, Tadpole, 10 feet	842-5130
4	Glass Assembly with Gasket for Door	7001-038
19	Glass Assembly, side (interchangeable)	414-5380
	Heat Ouput Control Switch, (Rocker Switch), 3 position	812-3500
	Hopper Top Slide Assembly, Left	414-5180
	Hopper Top Slide Assembly, Right	414-5170
27	Igniter, Loop (Heating Element)	SRV7000-226
30	Junction Box & Wiring Harness	SRV414-0720
	Magnet Bracket	414-0930
	Magnet	SRV7000-140

Item #	Part Description, Alphabetical Order	SKU
	Power Cord	812-1180
20	Side, Cast, Matte Black	414-0050BK
20	Side, Cast, Porcelain, (specify color)	414-0050POR
20	Side, Cast, Powder Coat, (specific color)	414-0050PWD
33	Snap Disc #1, 110 degree	230-1220
52	Snap Disc #2, 250 degree, automatic reset	230-1290
32	Snap Disc #3, 250 degree, manual reset	SRV7000-268
13	Thermocouple Cover	812-1322
12	Thermocouple, 14 inches	812-4470
11	Thermocouple Clamp	7001-203
10	Thumb Screw for Igniter, pkg of 24	7000-223/24
47	Top, Cast, Matte Black	414-0060BK
47	Top Cast, Porcelain (specify color)	414-0060POR
47	Top, Cast, Powder Coat (specific color)	414-0060PWD
47	Vacuum Switch, Rectangular	SRV7000-447

Item No.	Accessories, Alphabetical Order	Part No.
	Adjustable Hearth Support, 12 inches x 50 inches, 2 inches to 10 inches high	ADJSPT-12
	Log Set, 4 piece	811-0852
	Log, Top, (to cover firepot)	811-0900
	Outside Air Kit	811-0872
	Panel Set, Small, 30" w x 42-1/2" h (use with cast trim)	811-0910
	Panel Set, Large, 34" w x 48" h (use with cast trim)	811-0920
	Panel & Trim Set, Econo, Small, 30" w x 40" h	811-0990
	Thermostat, Mechanical	812-3760
	Thermostat, Programmable, #9600	811-0520
	Trim, Panel, Cast, Matte Black, MBK	811-0930
	Trim, Panel, Cast, Porcelain, Mahogany, PMH	811-0960
	Trim, Panel, Cast, Powder Coat, Sienna Bronze	TR-CAST-CSB
	Trim, Panel, Cast, Powder Coat, Willow	TR-CAST-CWL
	Zero Clearance Adjustable Trim Support (only fits small size panels)	811-0980

Item No.	Appliance	Part No.
	Castile Insert, Matte Black	810-02901
	Castile Insert, Porcelain, Mahogany	810-03201
	Castile Insert, Powder Coat, Sienna Bronze	CASTINS-CSB
	Castile Insert, Powder Coat, Willow	CASTINS-CWL

F. Homeowner's Notes

G. Warranty Policy

Hearth & Home Technologies LIMITED WARRANTY

Hearth & Home Technologies (“HHT”) and its respective brands extends the following warranty for HHT gas, wood, pellet and electric appliances purchased from an authorized HHT dealer and installed in the United States of America or Canada. Warranty starts with date of purchase by the original owner (End User) except as noted for replacement parts.

Warranty Period		HHT Manufactured Appliances and Venting						Components Covered
Parts	Labor	Gas	Wood	Pellet	EPA Wood	Electric	Venting	
1 Year		X	X	X	X	X	X	All Parts and Material Except as covered by Conditions, Exclusion, and Limitations listed
2 years				X	X			Igniters, Electronic Components, and Glass
		X	X	X	X			Blowers
			X					Molded Refractory Panels
3 years				X				Firepots
5 years	3 years			X	X			Castings & Baffles
7 years	3 years		X	X	X			Firebox, HHT Chimney, Termination & Heat Exchanger
10 years	1 year	X						Burners, Logs & Refractory
Limited Lifetime	1 year	X						Firebox & Heat Exchanger
90 Days		X	X	X	X	X	X	All Replacement Parts
See Conditions, Exclusions, and limitations.							9-01-08	

CONDITIONS, EXCLUSIONS & LIMITATION OF LIABILITY

- This warranty applies to the original owner and is transferable up to two years from date of purchase to the new homeowner, provided the purchase was made through an authorized dealer or distributor of HHT, and the appliance remains in its original place of installation.
- The maximum amount recoverable under this warranty is limited to the purchase price of the product.
- In no event shall HHT be liable for any incidental or consequential damages caused by defects in the product.
- Adjustments, regular maintenance, cleaning and temporary repairs, or the failure to duplicate the problem in the home is not covered under this warranty.
- This limited warranty does not extend to or include surface finish on the appliance or terminations, door gasketing, glass gasketing, glass discoloration, firebrick, pellet logs, kaowool or other ceramic insulating materials. Rust and/or corrosion on any of the metal surfaces, cast iron components, baffles, firepots, doors, or firebox area are not covered by this warranty.
- Noise resulting from minor expansion, contraction, or movement of certain parts is normal and complaints related to this noise are not covered by this warranty.

Hearth & Home Technologies LIMITED WARRANTY (Cont'd)

- HHT's obligation under this warranty does not extend to damages resulting from: (1) installation, operation or maintenance of the appliance not in accordance with the installation instructions; operating instructions and the listing agent identification label furnished with the appliance; (2) installation which does not comply with local building codes; (3) shipping, improper handling, improper operation, abuse, misuse, accident or unworkmanlike repairs; (4) environmental conditions, inadequate ventilation or drafting caused by tight sealing construction of the structure or handling devices such as exhaust fans or forced air furnaces or other such causes; (5) use of fuels other than those specified in the operating instructions; (6) installation or use of components not supplied with the appliance or any other components not expressly authorized and approved by HHT; and/or (7) modification of the appliance not expressly authorized and approved by HHT in writing.
- This warranty does not apply to non-HHT venting components, hearth components or other accessories used in conjunction with the installation of this product.
- This warranty is void if the appliance has been over-fired or operated in atmospheres contaminated by chlorine, fluorine, or other damaging chemicals the appliance is subject to prolonged periods of dampness or condensation, or there is any damage to the appliance or other components due to water or weather damage which is the result of, but not limited to, improper chimney or venting installation.
- HHT's liability under this warranty is limited to the replacement and repair of defective components or workmanship during the applicable period. HHT may fully discharge all of its obligations under such warranties by repairing the defective component(s) at HHT's discretion. Shipping costs are not covered under this warranty.
- Some states do not allow exclusions or limitation of incidental or consequential damages, so those limitations may not apply to you. This warranty gives you specific rights; you may also have other rights, which vary from state to state.
- EXCEPT TO THE EXTENT PROVIDED BY LAW, HHT MAKES NO EXPRESS WARRANTIES OTHER THAN THE WARRANTY SPECIFIED HEREIN. THE DURATION OF ANY IMPLIED WARRANTY IS LIMITED TO DURATION OF THE WARRANTY SPECIFIED ABOVE.

This Limited Warranty is effective on all HHT appliances sold after September 01, 2008 and supersedes any and all warranties currently in existence.



If warranty service is needed, you should contact your installing dealer. If the installing dealer is unable to provide necessary parts or components, contact the nearest authorized HHT dealer or supplier.


QUADRA-FIRE®

O T T O T O :

Hearth & Home Technologies
1445 North Highway
Colville, WA 99114
Division of HNI INDUSTRIES

Please contact your Quadra-Fire dealer with any questions or concerns.
For the number of your nearest Quadra-Fire dealer
please visit our web site at www.quadrafire.com

	CAUTION
	Do NOT discard this manual. <ul style="list-style-type: none">• Important operating and maintenance instructions included.• Read, understand and follow these instructions for safe installation and operation.• Leave this manual with party responsible for use and operation.
	

	Your Records for Model:	
	Castile Pellet Insert	
	SERIAL NUMBER:	WHERE PURCHASED:
	_____	_____
	DATE PURCHASED:	_____
	_____	_____
	DATE INSTALLED:	_____
	_____	_____
	TELEPHONE:	_____

This product may be covered by one or more of the following patents: (United States) 4593510, 4686807, 4766876, 4793322, 4811534, 5000162, 5016609, 5076254, 5113843, 5191877, 5218953, 5263471, 5328356, 5341794, 5347983, 5429495, 5452708, 5542407, 5601073, 5613487, 5647340, 5688568, 5762062, 5775408, 5890485, 5931661, 5941237, 5947112, 5996575, 6006743, 6019099, 6048195, 6053165, 6145502, 6170481, 6237588, 6296474, 6374822, 6413079, 6439226, 6484712, 6543698, 6550687, 6601579, 6672860, 6688302B2, 6715724B2, 6729551, 6736133, 6748940, 6748942, 6769426, 6774802, 6796302, 6840261, 6848441, 6863064, 6866205, 6869278, 6875012, 6880275, 6908039, 6919884, D320652, D445174, D462436; (Canada) 1297749, 2195264, 2225408, 2313972; (Australia) 780250, 780403, 1418504 or other U.S. and foreign patents pending.



Free Manuals Download Website

<http://myh66.com>

<http://usermanuals.us>

<http://www.somanuals.com>

<http://www.4manuals.cc>

<http://www.manual-lib.com>

<http://www.404manual.com>

<http://www.luxmanual.com>

<http://aubethermostatmanual.com>

Golf course search by state

<http://golfingnear.com>

Email search by domain

<http://emailbydomain.com>

Auto manuals search

<http://auto.somanuals.com>

TV manuals search

<http://tv.somanuals.com>