

# QUADRA-FIRE®

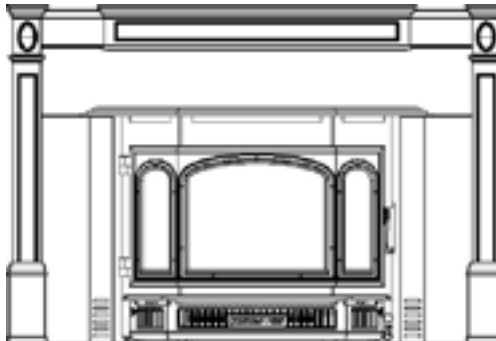
## 4100- I ACT WOOD INSERT

### Advanced Combustion Technology (ACT)

#### Models:

4100I-GD-B

4100I-NL-B



Tested and  
Listed by  Portland  
Oregon USA  
C US  
OMNI-Test Laboratories, Inc.

#### NOTICE



#### DO NOT DISCARD THIS MANUAL

- Important operating and maintenance instructions included.
- Read, understand and follow these instructions for safe installation and operation.
- Leave this manual with party responsible for use and operation.



#### **WARNING**



If the information in these instructions is not followed exactly, a fire may result causing property damage, personal injury, or death.

- Do not store or use gasoline or other flammable vapors and liquids in the vicinity of this or any other appliance.
- Do not overfire - If heater or chimney connector glows, you are overfiring. Overfiring will void your warranty.
- Comply with all minimum clearances to combustibles as specified. Failure to comply may cause house fire.

#### **WARNING**



#### HOT SURFACES!

**GLASS AND OTHER SURFACES ARE HOT DURING OPERATION AND COOL DOWN.**

#### Hot glass will cause burns.

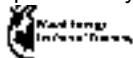
- Do not touch glass until it is cooled
- NEVER allow children to touch glass
- Keep children away
- CAREFULLY SUPERVISE children in the same room as appliance
- Alert children and adults to hazards of high temperatures

#### High temperatures may ignite clothing or other flammable materials.

- Keep clothing, furniture, draperies and other combustibles away.



Installation and service of this appliance should be performed by qualified personnel. Hearth & Home Technologies recommends NFI certified professionals, or technicians supervised by an NFI certified professional.



#### **WARNING**



#### Fire Risk.

For use with solid wood fuel only. Other fuels may overfire and generate poisonous gases (i.e. carbon monoxide).

*Congratulations* 

**and Welcome to the Quadra-Fire Family!**

Hearth & Home Technologies welcomes you to our tradition of excellence! In choosing a Quadra-Fire appliance, you have our assurance of commitment to quality, durability, and performance.

This commitment begins with our research of the market, including 'Voice of the Customer' contacts, ensuring we make products that will satisfy your needs. Our Research and Development facility then employs the world's most

advanced technology to achieve the optimum operation of our stoves, inserts and fireplaces. And yet we are old-fashioned when it comes to craftsmanship. Each unit is meticulously fabricated and surfaces are hand-finished for lasting beauty and enjoyment. Our pledge to quality is completed as each model undergoes a quality control inspection. We wish you and your family many years of enjoyment in the warmth and comfort of your hearth appliance. Thank you for choosing Quadra-Fire.

**SAMPLE: CLEARANCE TO COMBUSTIBLES LABEL**

**LOCATION: Back side of left side panel.**

**CAUTION:** HOT WHILE IN OPERATION DO NOT TOUCH, KEEP CHILDREN AND CLOTHING AWAY. CONTACT MAY CAUSE SKIN BURNS. KEEP FURNISHINGS AND OTHER COMBUSTIBLE MATERIAL FAR AWAY FROM THE APPLIANCE. SEE NAMEPLATE AND INSTRUCTIONS.

Tested and Listed by **OMNI-Test Laboratories, Inc.** Report #061-S-40-2 TESTED TO: UL 1482, ULC S628

**QUADRA-FIRE** Model: **4100-I INSERT** Serial No / Numéro De Série **007**

LISTED ROOM HEATER, SOLID FUEL TYPE. "For Use with Solid Wood Fuel Only." Also for use in Mobile Home.

**PREVENT HOUSE FIRES**

**Diagram:** Shows a wood insert with clearances labeled A through F. A: Side Wall; B: Fascia or Trim; C: Mantel; D: Side Trim to Stove; E: Hearth Extension from Glass; F: Hearth Extension from Side of Insert.

Minimum Clearances to Combustible Material (Masonry, Heat Insulating & Zero Clearance)	
Refer to Clearances on reverse side for Canada	
USA	
Sidewall to Stove	15"
Mantel to Stove	26"
Trim to Stove	20"
Side Trim to Stove	6"
Hearth Extension from Glass	16"
Hearth Extension from Side of Insert	8"

Thermal Protection USA & Canada  
1/2 inch (12.7mm) of k=0.84  
\*Zero Clearance Installations USA Only

Manufactured by: **HEARTH & HOME Technologies**  
15 N. Highway, Colville, WA 99114  
www.quadrafire.com

DO NOT REMOVE THIS LABEL  
Made in U.S.A.

U.S. ENVIRONMENTAL PROTECTION AGENCY - Certified to comply with July 1990 particulate emission standards.

2005	2006	2007	Jan	Feb	Mar	Apr	May	June	July	Aug	Sept	Oct	Nov	Dec
■	■	■	■	■	■	■	■	■	■	■	■	■	■	■

250-7191

Test Lab & Report No.

Serial Number

Model Name

Manufactured Date

## Table of Contents

### SAFETY & OVERVIEW OF APPLIANCE

Dimensions-----	4
Minimum Clearances to Combustibles-----	5
Listings-----	6
Chimney Height & Draft and 2-10-3 Rule-----	6
Installation Recommendations-----	6
General Installation Procedures-----	7
Alternate Floor Protection Worksheet-----	7
Chimney Requirements-----	8
Ovalizing Round Stainless Steel Liner-----	8

### INSTALLATION OPTIONS

Mobile Home-----	9
Masonry Fireplace-----	10
Metal Heat Circulating Masonry-----	10
Factory-Built Zero Clearance Fireplace-----	11
Canadian Masonry & Heat Circulating-----	12
Leveling Bolts and Sheet Metal Shims-----	12
Securing Liner to Chimney Ring-----	13

### PARTS & ACCESSORY INSTALLATION

Outside Air Installation-----	13
Panel Sets and Trim Sets-----	14
Blower Cord Installation-----	15
Blower Control Box with Switch-----	15
Fan (Blower) Replacement-----	15
Zero Clearance Adjustable Trim Support-----	16
Door Handle Assembly-----	16
Door Latch Adjustment-----	16

### OPERATION OVERVIEW

Wood Selection & Storing-----	17
Overfiring-----	17
Building A Fire-----	17
Operating Tips-----	18
Burn Rates & Opacity-----	18
Fan Operation Instructions-----	18
Ash Removal-----	18
Burning Process-----	19
Air Controls, Primary & Start-up-----	19

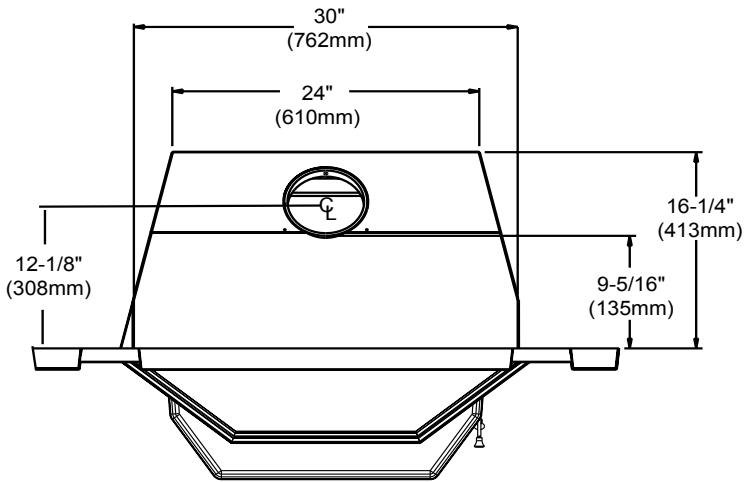
### MAINTENANCE

Gold/Nickel Plated Surfaces-----	20
Glass Cleaning & Replacement-----	20
Creosote Formation & Removal-----	20
Chimney-----	20
Brick Replacement-----	21
Baffle Removal-----	21
Exploded View-----	22

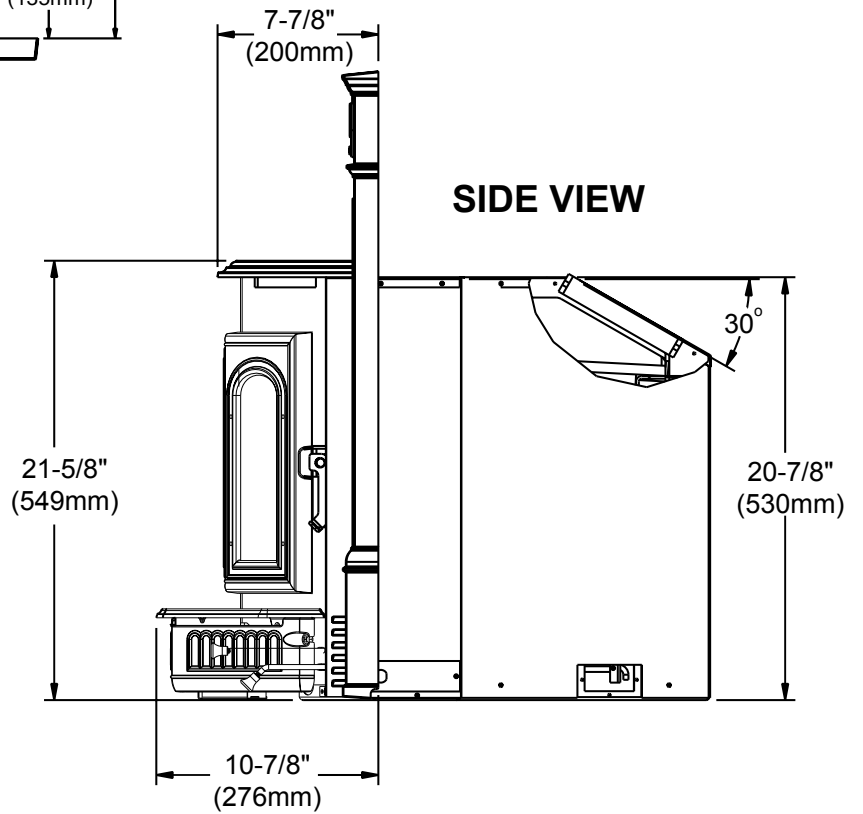
### PARTS & ACCESSORIES LIST----- 23-24

Service & Maintenance Log-----	25
Warranty Policy-----	26-27
Contact Information-----	28

**DIMENSIONS**

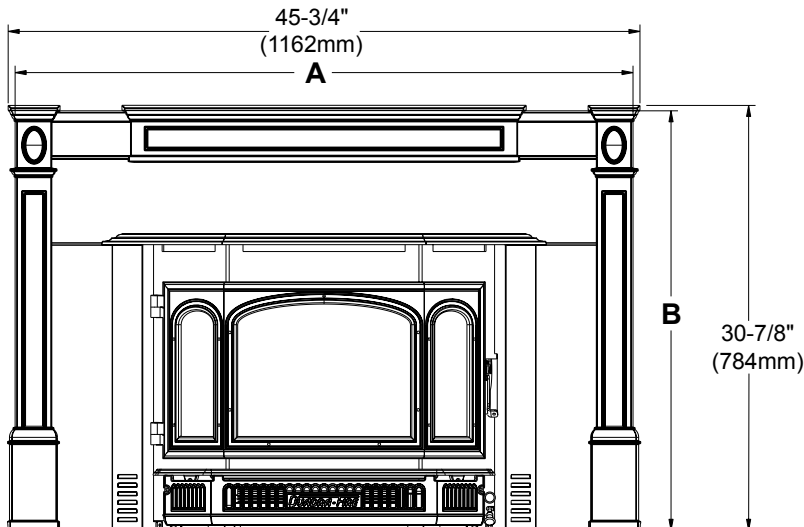


**TOP VIEW**



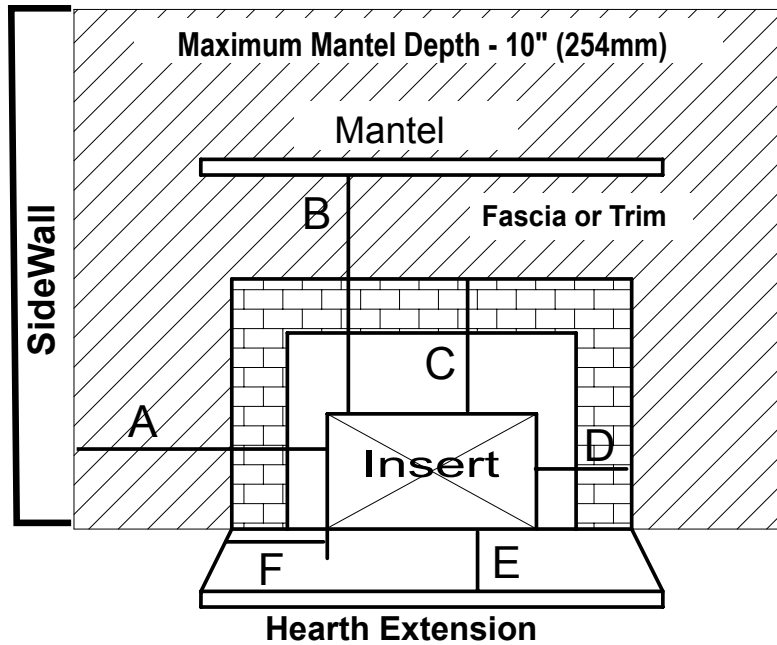
**SIDE VIEW**

**FRONT VIEW**



Panel Size	A	B
Standard	44-3/4" (1137mm)	30-1/2" (775mm)
Large	48" (1219mm)	34" (867mm)

**CLEARANCES TO COMBUSTIBLES**  
**United States and Canada**



Omni Report #061-S-40-2

	<b>USA</b>	<b>CANADA</b>
A Sidewall to Stove	15" (381mm)	15" (381mm)
B Mantel to Stove	26" (660mm)	23" (584mm)
C Top Trim to Stove	20" (508mm)	20" (508mm)
D Side Trim to Stove	6" (152mm)	6" (152mm)
E Hearth Extension from Glass	16" (406mm)	18" (457mm)
F Hearth Extension from Side of Insert	8" (203mm)	8" (203mm)
<b>Thermal Protection USA &amp; Canada</b>		
Thermal protection must be 1/2 Inch (12.7mm) minimum thickness ("k" value = 0.84) or equivalent material*		
<b>*Zero Clearance Installations USA Only</b>		

**\*See Alternative Floor Protection Worksheet on page 7.**

In Canada a full length six inch (152mm) S635 flue liner required as per ULC S628.

**NOTE:** When installing into a masonry fireplace, the fireplace must be built to UBC Chapter 37 standards. Do not remove brick or mortar from masonry fireplace to accommodate insert. The permanent metal warning plate provided must be attached to the back of the fireplace stating the fireplace may have been altered to accommodate the insert and must be returned to original condition for use as a conventional fireplace.

**LISTINGS**

These installation instructions describe the installation and operation of the Quadra-Fire 4100-I Wood Insert. This insert meets the U.S. Environmental Protection Agency's 1990 particulate emission standards. This product is listed by OMNI-Test Laboratories, Inc. to UL Safety Standard 1482, and ULC S628, and (UM) 84-HUD. This insert is approved for mobile home installations when not installed in a sleeping room and when an outside combustion air inlet is provided. The structural integrity of the mobile home floor, ceiling, and walls must be maintained. The insert must be properly grounded to the frame of the mobile home.

Check with your local building code agency before you begin your installation to ensure compliance with local codes, including the need for permits and follow-up inspections. Be sure local building codes do not supersede UL specifications and always obtain a building permit so that insurance protection benefits cannot be unexpectedly cancelled. If any assistance is required during installation, please contact your local dealer.

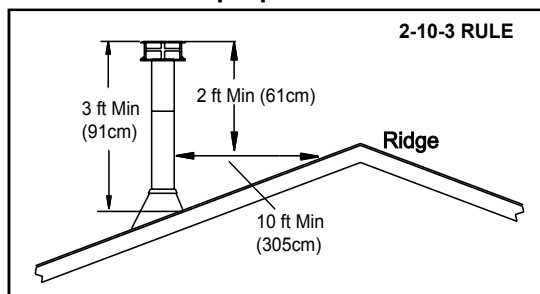
**CHIMNEY HEIGHT/DRAFT**

To be sure that your Quadra-Fire insert burns properly, the chimney draft (static pressure) should be approximately -0.10" water column (W.C.) during a high burn and -0.04" W.C. during a low burn, measured six inches (152mm) above the top of the insert after one hour of operation at each burn setting.

**NOTE:** These are guidelines only, and may vary somewhat for individual installations.

The insert was designed for and tested on a six inch (152mm) chimney, 12 ft-14 ft (360-420cm) high, measured from the base of the insert. The further your stack height or diameter varies from this configuration, the possibility of performance problems increases. In addition, exterior conditions such as roof line, surrounding trees, prevailing winds and nearby hills can influence insert's performance.

A masonry chimney or a listed factory-built UL103 HT Class "A" chimney must be the required height above the roof and any other nearby obstructions. The chimney must be at least 3 ft (91cm) higher than the highest point where it passes through the roof and at least 2 ft (61cm) higher than the highest part of the roof or structure that is within 10 ft (305cm) of the chimney, measured horizontally. **See 2-10-3 Rule (Figure 6A). These are safety requirements and are not meant to assure proper flue draft.**



**Figure 6A**

**CHIMNEY HEIGHT/DRAFT (CONT'D)**

**AVOID FIRE:** To ensure that insulation or any other combustible material does not contact the chimney, a chimney inside the house must have at least 2 inches (51mm) of air space clearance around the chimney. A chimney outside the house must have at least one inch (25mm) clearance to the combustible structure. Noncombustible fire stops must be installed at the spaces where the chimney passes through floors and/or ceilings. **Refer to Figures 8A & 8B on page 8. Canadian installations require a full reline of the chimney**

**NOTE:** Clearances may only be reduced by means approved by the regulatory authority having jurisdiction.

**WE RECOMMEND that a qualified building inspector and your insurance company representative review your plans before and after installation.**

**INSTALLATION RECOMMENDATIONS**

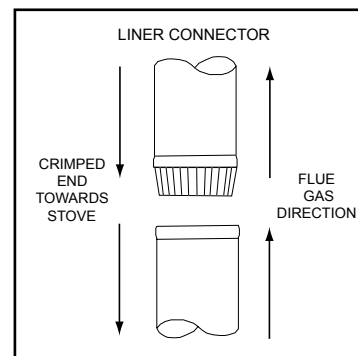
This product has met and surpassed the most stringent emissions standards in the United States. The sophistication of the interior firebox design requires that a proper draft be supplied by the chimney, therefore adherence to the following factors will enable your insert to operate at its optimum capability.

**REQUIRED:** A minimum NFPA 211 required stainless steel liner connector pipe extending to the first flue liner of the existing code approved masonry chimney. To eliminate dilution air in the chimney, seal the damper area of the chimney around the chimney connector.

**BEST:** A complete relining of the chimney system with a six inch (152mm) diameter listed, stainless steel liner. The liner must be connected to the insert flue collar and extend the entire height of the chimney, terminating slightly above a plate that seals the top of the chimney. All joints should be secured with 3 sheet metal screws. The sections must be attached to the insert and to each other with the crimped (male) end pointing toward the insert. **Figure 6B.**

Minimum clearances to combustibles must be maintained.

A full reline is required for factory-built fireplace installations in Canada and is highly recommended in USA.



**Figure 6B**

## GENERAL INSTALLATION PROCEDURE

- **DO NOT CONNECT THIS UNIT TO A CHIMNEY FLUE SERVING ANOTHER APPLIANCE.**
- Install liner, if required, for your chosen installation.
- Attach metal warning plate to the back of the fireplace with screws or nails.
- Set appliance on the hearth (See Hearth Requirements **page 5** and Support Kit information on **page 16**.)
- Complete the vent connection required for your installation type.
- Relocate plate for Outside Air. (Required for Mobile Home Installation) **page 13**; Assemble Panel Set and Cast Trim Set or the Basic Panel & Trim Set and install as one piece. **See page 14**.
- Position unit into fireplace leaving width enough for fiberglass batting to be inserted around face seal.
- Work unit securely into the fireplace using sheet metal shims if leveling bolts are needed. **See Figure 12B on page 12**.
- Remove all labels from glass prior to building first fire.
- Ensure that plated surfaces are cleaned prior to building first fire. **See page 20**.
- Read Operation Instructions found on **pages 18 and 19**.

**IF INSTALLING THIS MODEL TO A MASONRY CHIMNEY, ALWAYS BE SURE THE CHIMNEY IS IN GOOD CONDITION AND THAT IT MEETS THE MINIMUM STANDARDS OF THE NATIONAL FIRE PROTECTION ASSOCIATION (NFPA) STANDARD 211. A FACTORY BUILT CHIMNEY MUST BE 6 INCH (152mm) UL103 HT AND ULC S629.**

**THIS APPLIANCE IS MADE WITH A 6 INCH (152mm) DIAMETER CHIMNEY CONNECTOR AS THE FLUE COLLAR ON THE UNIT. CHANGING THE DIAMETER OF THE CHIMNEY CAN AFFECT DRAFT AND CAUSE POOR PERFORMANCE. IT IS NOT RECOMMENDED TO USE OFFSETS OR ELBOWS AT ALTITUDES ABOVE 4000 FEET ABOVE SEA LEVEL OR WHEN THERE ARE OTHER FACTORS THAT AFFECT FLUE DRAFT. SEE PAGE 5.**

**CAUTION: THIS APPLIANCE IS HOT WHILE IN OPERATION AND MAY REMAIN SO UP TO 40 MINUTES OR LONGER AFTER THERE IS NO FUEL IN THE FIREBOX. IF THIS APPLIANCE IS IN A HIGH TRAFFIC AREA OR CHILDREN MAY BE NEAR, IT IS RECOMMENDED THAT YOU PURCHASE A DECORATIVE BARRIER TO GO IN FRONT OF THE APPLIANCE.**

## CALCULATING ALTERNATE FLOOR PROTECTION MATERIAL

### Thermal Conductivity: k value

The k value indicates the amount of heat (in BTU's) that will flow in 1 hour through 1 square foot of a uniform material 1 inch thick for each degree (F) of temperature difference from one side of the material to the other. The LOWER the k factor means less heat is being conducted through the non-combustible material to the combustible material beneath it. The k value of a material must be equal or smaller then the required k value to be acceptable.

$$\frac{(\text{BTU}) (\text{inch})}{(\text{foot}^2 (\text{hour}) (^\circ\text{F}))}$$

### Thermal Resistance: R value

The R value is a measure of a material's resistance to heat transfer. R value is convenient when more than one material is used since you can add the R values together, whereas you can not do this for k value. The HIGHER the R factor means less heat is being conducted through the non-combustible material to the combustible material beneath it. The R value of a material must be equal or larger then the required R value to be acceptable.

### Converting k to R:

Divide 1 by k and multiply the results times the thickness in inches of the material.

$$R = 1/k \times \text{inches of thickness}$$

### Converting R to k:

Divide the inches of thickness by R.

$$k = \text{inches of thickness}/R$$

### Calculations:

Example: Floor protection requires k value of 0.84 and 3/4 inch thick.

Alternative material has a k value of 0.6 and is 3/4 inch thick.

Divide 0.6 by .75 = k value of 0.80. This k value is smaller than 0.84 and therefore is acceptable.

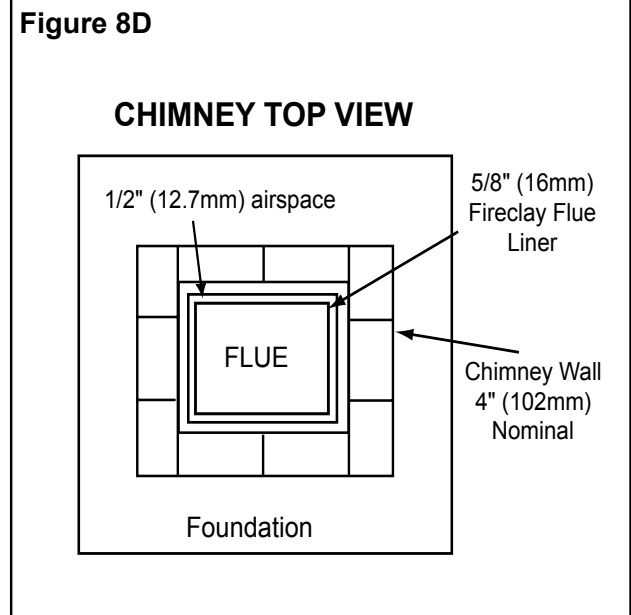
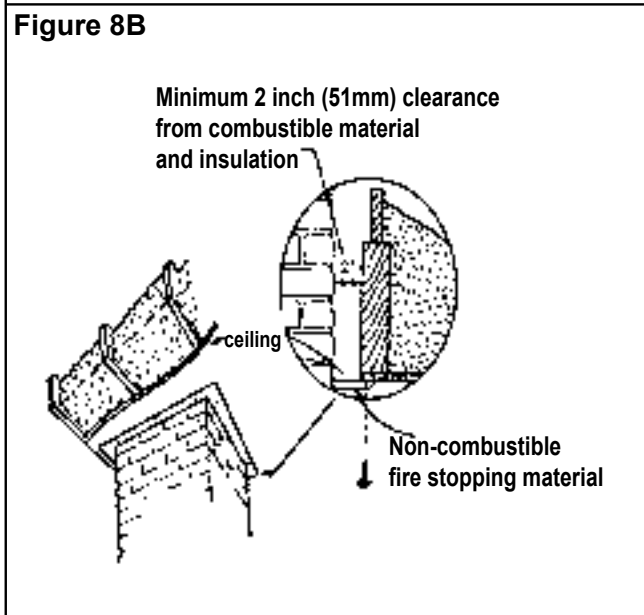
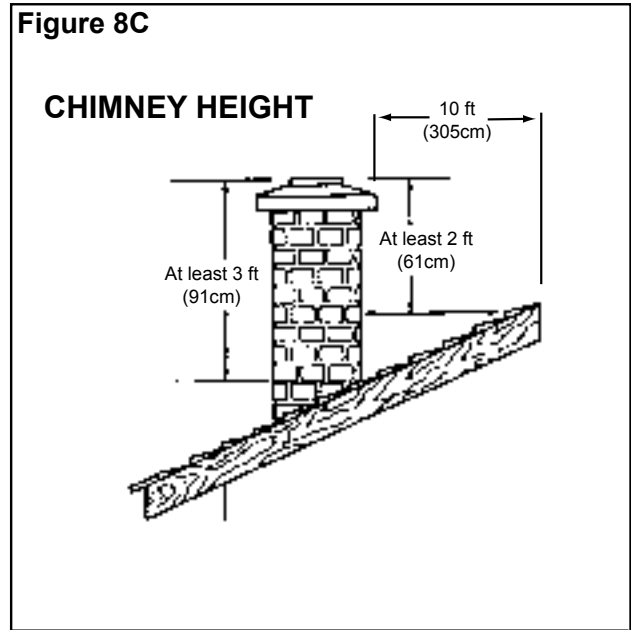
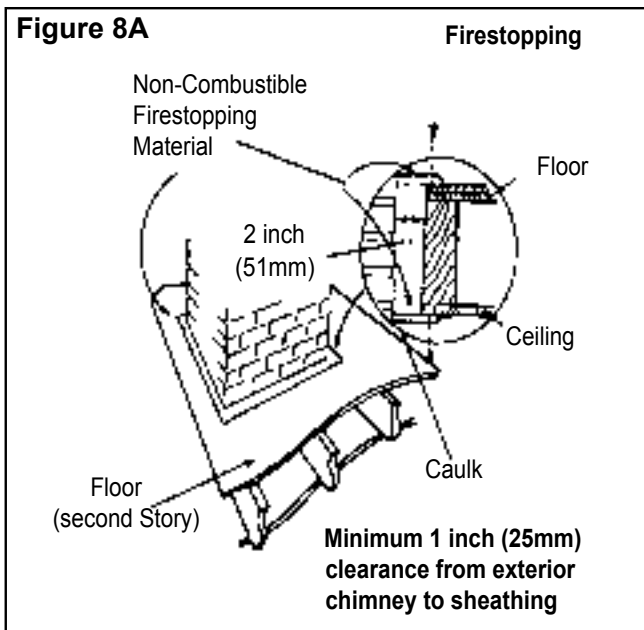
**CHIMNEY REQUIREMENTS**

A chimney must be the required height above the roof or other obstruction for safety and for proper draft operation. The requirement is that the chimney must be at least 3 feet (91cm) higher than the highest point where it passes through the roof, and at least 2 feet (61cm) higher than the highest part of the roof or structure that is within 10 feet (305cm) of the chimney, measured horizontally. **Refer to Figure 8C.**

**OVALIZING ROUND STAINLESS STEEL LINERS**

Ovalizing round stainless steel liners to accommodate the liner passing through the damper region of a fireplace is an allowable and acceptable practice.

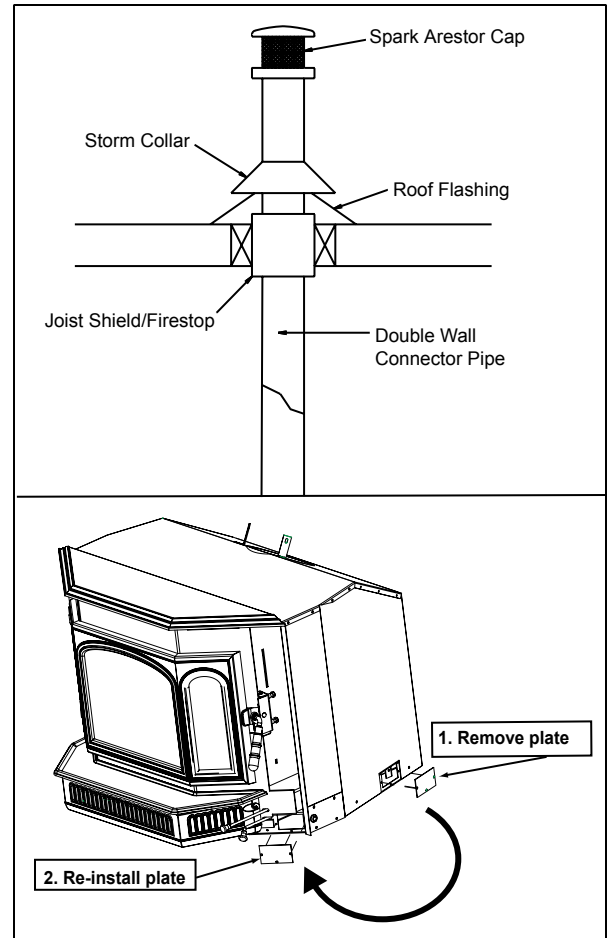
Ensure that the ovalization is minimized to the extent required to fit through the damper.





## INSTALLATIONS INTO ZERO CLEARANCE FIREPLACES IN MOBILE HOMES (IN USA ONLY)

- An outside air inlet must be provided for combustion and must remain clear of leaves, debris, ice and/or snow. It must be unrestricted while unit is in use to prevent room air starvation which can cause smoke spillage and an inability to maintain a fire. Smoke spillage can also set off smoke alarms.
  - Unit must be secured to the mobile home structure. Remove bolts from each side of insert and use plumbers tape to secure to structure (a washer may be required). Re-install bolts.
  - Unit must be grounded with #8 solid copper grounding wire or equivalent and terminated at each end with N.E.C. approved grounding device.
  - The factory-built fireplace must meet (UM)84-HUD requirements for outside combustion air supply to the fireplace fire chamber and the chimney must be listed to UL03 HT or a listed UL-1777 full length six inch (152mm) diameter liner must be used. It must be equipped with a spark arrester cap and the outside air must be installed on the insert. (See Figure 9A and installation instructions of page 13.)
  - Refer to **page 5** of this manual or the serial number/safety label for clearances to combustibles. The label is located on a beaded chain on the left side behind outer skin.
  - Floor protections requirements on **page 5** must be followed precisely.
  - Use silicone to create an effective vapor barrier at the location where the chimney or other component penetrates to the exterior of the structure.
  - Follow the chimney and chimney connector manufacturer's instructions when installing the flue system for use in a mobile home.
- NOTE:** Offsets from the vertical, not exceeding 45°, are allowed per Section 905(a) of the Uniform Mechanical Code (UMC). Offsets greater than 45° are considered horizontal and are also allowed, providing the horizontal run does not exceed 75% of the vertical height of the vent. Construction, clearance and termination must be in compliance with the UMC Table 9C. This installation must also comply with NFPA 211.
- NOTE:** Top sections of chimney must be removable to allow maximum clearance of 13.5 ft. (405cm) from ground level for transportation purposes.
- Burn wood only. Other types of fuels may generate poisonous gases (e.g., carbon monoxide).



**Figure 9A - Installing Outside Air**

**CAUTION:**  
THE STRUCTURAL INTEGRITY OF THE MOBILE HOME FLOOR, WALL AND CEILING/ROOF MUST BE MAINTAINED. (i.e., DO NOT CUT THROUGH FLOOR JOIST, WALL STUD, CEILING TRUSS, ETC.)

**WARNING: DO NOT INSTALL IN SLEEPING ROOM.**

**WARNING: NEVER DRAW COMBUSTION AIR FROM A WALL, FLOOR OR CEILING CAVITY OR FROM ANY ENCLOSED SPACE SUCH AS AN ATTIC OR GARAGE.**

**INSTALLATION OPTIONS**

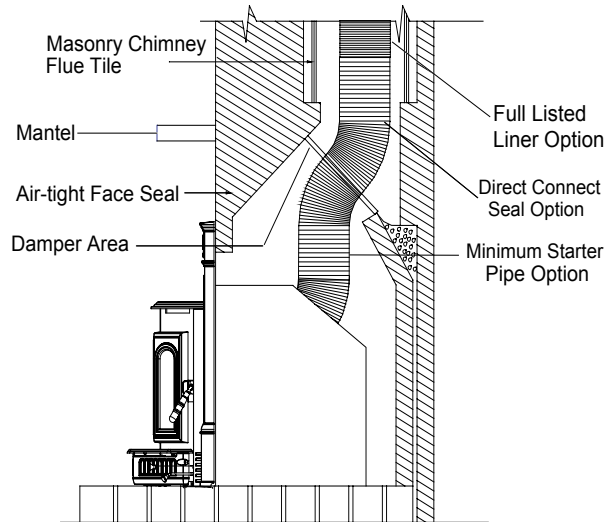
**Refer to: Clearances to Combustibles on page 5, Canadian Installation requirements on page 12, Hearth Requirements on page 5 and Zero Clearance Adjustable Support Kit on page 16.**

**MASONRY FIREPLACE  
USING DIRECT-CONNECT METHOD**

This product conforms with the UL Standard for Safety 1482 (USA) and ULC S628 (Canada) in all respects, and is approved to UL & ULC safety standards for installation and use within a fireplace with a masonry chimney in accordance with NFPA 211, with or without a direct flue collar connection. A starter pipe is required to reach to the bottom of the existing flue.

1. Secure the fireplace damper in the open position. If this cannot be accomplished, it will be necessary to remove the damper.
2. Seal either the damper area around the chimney liner with a high temperature sealant or the fireplace front with fiberglass batting.
3. The chimney should be examined for cracks, loose mortar, and other signs of deterioration and blockage. The insert should not be installed until it is determined that the chimney is safe for use. Since an oversized flue contributes to the accumulation of creosote, the size of the flue should be checked to determine that it is not too large for the insert. The chimney should also be checked to ensure it meets the minimum standard of the National Fire Protection Association (NFPA) Standard 211. The following bullets list the more critical requirements for a properly constructed chimney:
  - The masonry wall of the chimney, if brick or modular block, must be a minimum of 4 inches (102mm) nominal thickness. A chimney of rubble stone must be at least 12 inches (305mm) thick
  - The chimney must have a fire clay flue liner (or equivalent) with a minimum thickness of 5/8" (16mm) and must be installed with refractory mortar. An equivalent liner must be a listed chimney liner system or other approved material.
  - Cross-sectional area should be no more than 3 times the cross-sectional area of the flue collar of the insert. (28 sq inch flue area x 3 inches = 84 square inches maximum chimney area).
  - A chimney inside the house must have at least two inches (51mm) of clearance to the combustible structure. A chimney outside the house must have at least 1 inch (25mm) clearance to the combustible structure. Non-combustible fire stops must be installed at the spaces where the chimney passes through floors and/or ceiling (See Figure 8A and 8B on page 8).

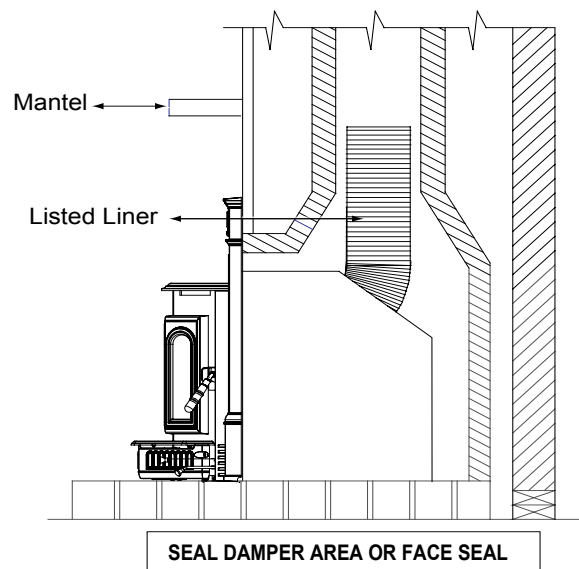
**NOTE: In Canada, a full reline is required.**



**Figure 10A - Installation Into Masonry Fireplace**

**METAL HEAT CIRCULATING MASONRY**

This product conforms with the safety standard UL1482 (USA) and ULC S628 (Canada) in all respects and is approved to UL & ULC safety standards for installation and use within a fireplace with masonry chimney, in accordance with NFPA 211, with or without a direct flue collar connection. A starter pipe is required into existing chimney.



**Figure 10B - Installation Into Metal Heat Circulating Showing Use Of Starter Pipe**

## FACTORY-BUILT ZERO CLEARANCE FIREPLACE (USA INSTALLATIONS ONLY)

The Quadra-Fire 4100-I ACT Wood Stove Insert is listed to UL 1482 Standard and approved for installation into listed factory built zero clearance fireplaces listed to UL 127 conforming to the following specifications and instructions:

The original factory-built clearance fireplace chimney cap must be re-installed after installing the approved chimney liner meeting type H.T. requirements (2100°F) per UL 1777. The air flow of the factory-built zero-clearance fireplace system must not be altered. The flue liner top support attachment must not reduce the air flow for the existing air-cooled chimney system.

**NOTE: Refer to chimney liner manufacturer for recommendations on supporting the liner.**

Minimum Width of cavity opening:	30 in.
Minimum Height:	21 in.
Minimum Depth from front to rear:	16-1/4 in.

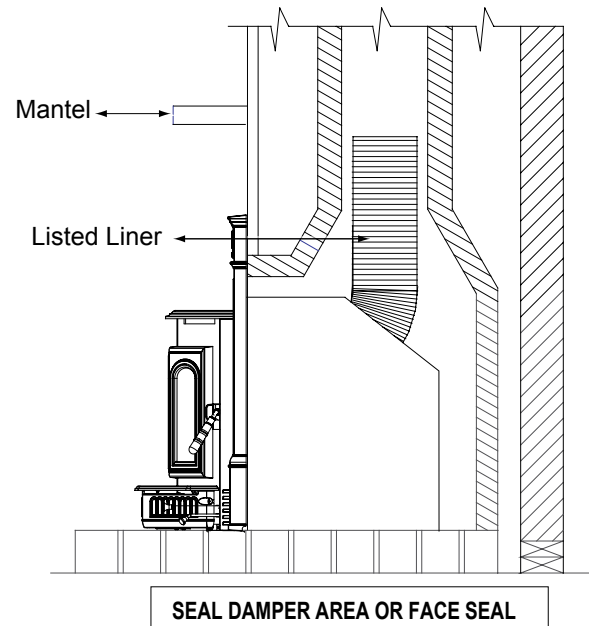
The following modifications of factory built fireplaces are permissible: 1) removal of damper; 2) removal of smoke shelf or baffle; 3) removal of ember catches; 4) removal of fire grate; 5) removal of viewing screen/curtain; and, 6) removal of doors.

**NOTE: Installation into fireplaces without a permit will void the listing.**

The factory built chimney must be listed per UL 127 and meet the type HT requirements of UL 103. Factory built fireplace chimneys tested to UL 127-1998, may be at the fireplace manufacturer's option, tested to the same criteria as UL 103 HT requirements. If the chimney is not listed as meeting HT requirements, or if the factory built fireplace was tested prior to 1998, a full height listed chimney liner must be installed from the appliance flue collar to the chimney top. The liner must meet type HT requirements (2100°F) per UL 1777.

The liner must be securely attached to the insert flue collar and the chimney top. To prevent room air passage to the chimney cavity of the fireplace, seal either the damper area around the chimney liner with high temperature sealant or the fireplace front with fiberglass batting.

The fireplace must not be altered, except that the damper may be removed to accommodate a direct-connect starter pipe or chimney liner, and external trim pieces which do not affect the operation of the fireplace may be removed providing they can be stored on or within the fireplace for reassembly if the insert is removed.




**Figure 11A - Installation Into A Factory Built Zero Clearance Fireplace**

The permanent metal warning label provided must be attached to the back of the fireplace, with screws or nails, stating that the fireplace may have been altered to accommodate the insert, and must be returned to original condition for use as a conventional fireplace.

If the hearth extension is lower than the fireplace opening, the portion of the insert extending onto the hearth must be supported. Manufacturer designed adjustable support kit can be ordered from your dealer. **(See page 14).**

Final approval of this installation type is contingent upon the authority having jurisdiction.

	<b>WARNING</b>
<b>Fire Risk.</b>	When lining air-cooled factory-built chimneys: <ul style="list-style-type: none"> <li>• Run chimney liner approved to UL 1777 Type HT requirements (2100 degrees F)</li> <li>• Re-install original factory built chimney cap ONLY</li> <li>• DO NOT block cooling air openings in chimney</li> <li>• Blocking cooling air will overheat the chimney</li> </ul>

**INSTALLATION IN CANADA**

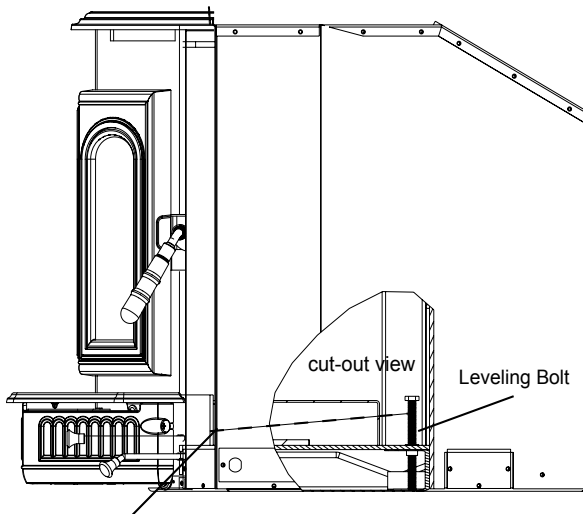
**MASONRY and HEAT-CIRCULATING**

*(INSTALLATIONS INTO FACTORY-BUILT FIREPLACES ARE PROHIBITED IN CANADA)*

Whether installed in a masonry or heat-circulating fireplace, this fireplace insert must be installed with a continuous chimney liner of six inch (152mm) diameter extending from the fireplace insert to the top of the chimney. The chimney liner must conform to the Class 3 requirements of CAN/ULC-S635, Standard for Lining Systems for Existing Masonry or Factory-Built Chimneys and Vents, or CAN/ULC-S640, Standard for Lining Systems for New Masonry Chimneys.

- Do not remove bricks or mortar from fireplace to accommodate insert.
- The face of the fireplace must be sealed to prevent room air passage into the chimney cavity.
- The permanent metal warning label provided must be affixed to the back of the fireplace with screws or nails to the fireplace, in a location readily visible should the fireplace insert be removed, stating that the fireplace may have been altered to accommodate the insert, and must be returned to original condition for use as a conventional fireplace.
- Circulating air chambers may not be blocked.

**LEVELING BOLTS AND SHEET METAL SHIMS**



Reach between side of insert and outer skin

**Figure 12A**

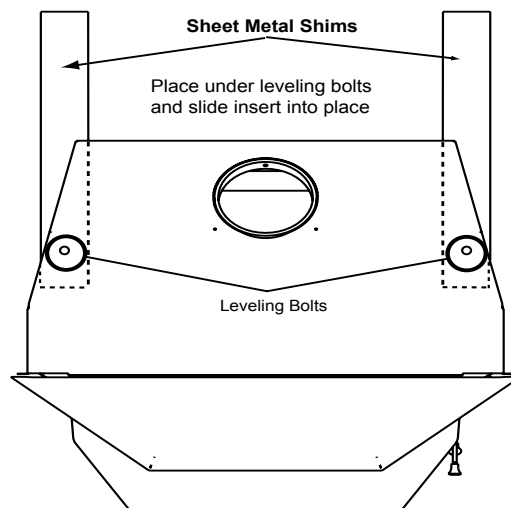
This product shipped with two leveling bolts, and two sheet metal guides for ease in sliding the insert into place when using the leveling bolts. Not all installations will require the use of the leveling bolts. The sheet metal guides are used only when the leveling bolts are necessary. Discard if not needed.

**ADJUSTING THE LEVELING BOLTS**

It is best to use a 1/2 inch (12.7mm) socket wrench with an extended handle for ease in adjusting bolts to the desired level. The bolts will adjust from 0 to 2 inches (0 - 51mm). You can also reach in and adjust the bolts by hand, although space is limited. **Figure 12A.**

**SHEET METAL GUIDES**

Slide each guide under the insert on each side placing them directly under leveling bolts. If they are not directly under the bolts, the bolts may hang up on uneven material when sliding the insert into place. **See Figure 12B.**



**Figure 12B**

## SECURING LINER TO CHIMNEY RING

There are two options to secure the liner to the chimney ring: **See Figure 13A.**

**Option One:** If there is enough room on the top of the insert to work, hand bend the two tabs upward 90°. Secure the liner with the supplied hex head bolts 1/4-20-3/4.

**Option Two:** Remove the manifold tubes, fiberboard baffle and ceramic blanket. From inside the firebox, pull liner down through the chimney ring below the outer skin. There are two pre-drilled holes in the chimney ring 180° apart. Secure the liner with the supplied hex head bolts 1/4-20-3/4.

**NOTE:** Tabs are shipped from factory in a flat position. Bend upwards 90 degrees.

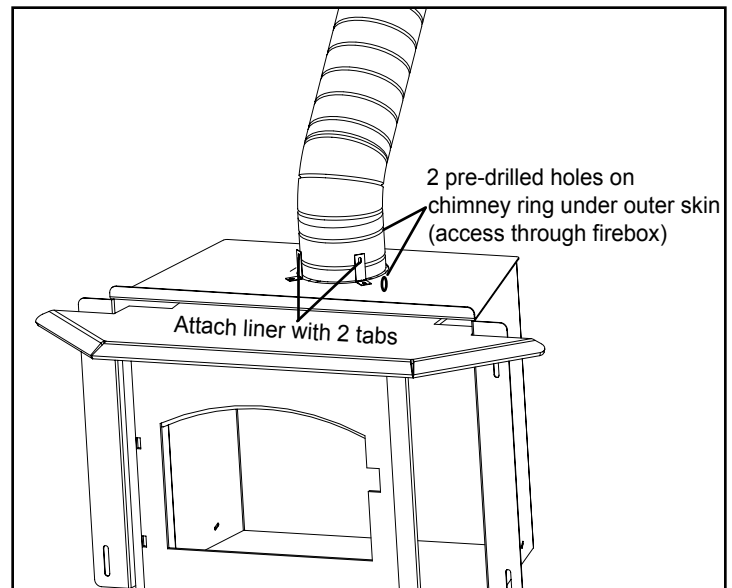


Figure 13A

## OUTSIDE AIR INSTALLATION

**IMPORTANT!**  
THE ZERO CLEARANCE  
FIREPLACE OUTSIDE  
AIR MUST BE TURNED  
TO "ON"

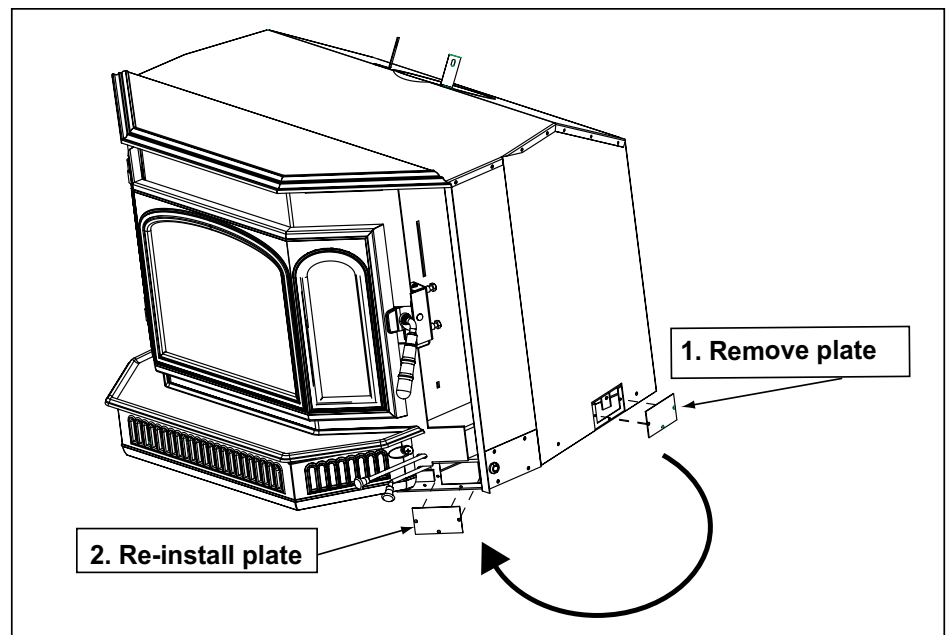


Figure 13B

### Tools Needed: Phillips Head Screwdriver

1. Remove three screws and cover plate from back side of insert. Save the screws.
2. Re-attach the cover plate using the same screws to front side of the insert as shown in **Figure 13B.**
3. Repeat same procedure for other side of insert.

**NOTE:** This insert requires replacement of combustion air. If your home is fairly air-tight, it is recommended that you install outside air. If you are installing into a Mobile Home, outside air is required. See page 9.

**PANEL SET and CAST TRIM SET**

**STANDARD SIZE: 30-1/2" h x 44-3/4"w**

**LARGE SIZE: 34"h x 48"w**

**Panel and Cast Trim must be ordered separately.**

**Included in Panel Kit:** (2) side panels, left and right; (1) panel top; (2) trim pieces; (1) trim top; (1) fastener package.

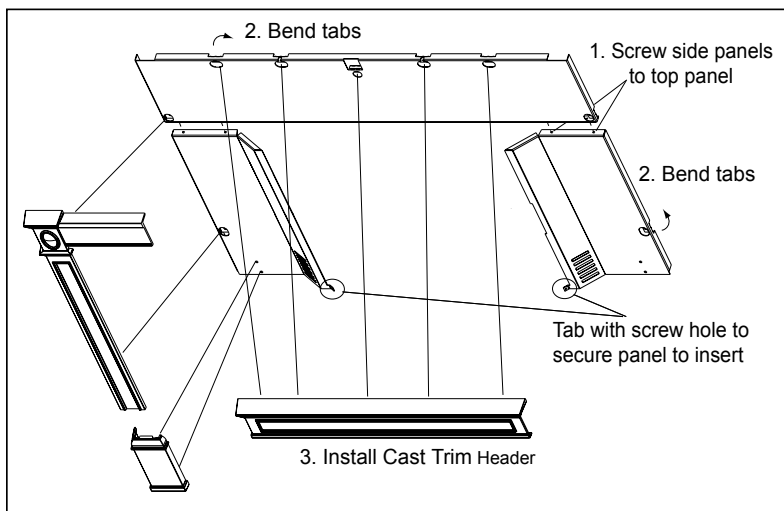
**Included in Cast Trim Kit:** (2) cast trim legs, left and right; (1) cast trim header; (2) cast trim footers, left and right.

**Tools Needed:** Powered Phillips Head Screw Driver

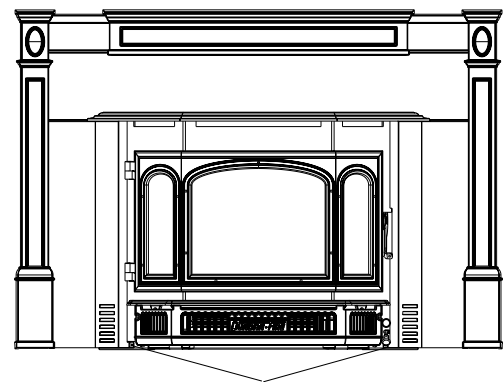
1. Remove contents from box being careful not to scratch or damage cast trim pieces.
2. Lay the panel set face down on protective covering to prevent scratching the painted surface.
3. Secure panel set together with screws provided. **Figure 14A**
4. Now bend the tabs down toward the backside of the panel set, on top piece and on each leg. Leave panel set face down.
5. Place the corresponding cast trim pieces (2 cast trim legs and 1 cast trim header) underneath panel set, also face down.
6. Place washer provided over tab and secure the trim and panel together with screw. Continue for all tabs.
7. Secure cast footers with screws.

**NOTE: DO NOT PICK UP ASSEMBLED UNIT BY CORNERS. IT IS TOO HEAVY AND MAY DAMAGE THE PANELS. PICK UP FROM CENTER.**

8. Slide assembled panel and trim over top of the insert into place.
9. Secure panels to insert with 8-32 sheet metal screws through tabs on bottom lower inside corners on side panels. **Figure 13B.**



**Figure 14A**



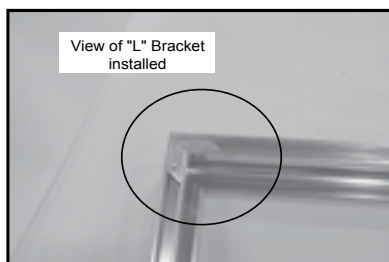
Secure side panels to insert with screws

**Figure 14B  
COMPLETED VIEW**

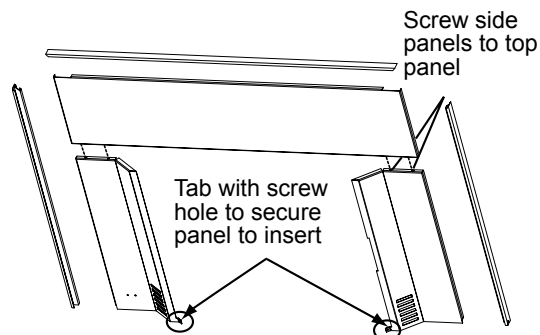
**PANEL and GOLD TRIM SET**

**BASIC STANDARD SIZE: 30"h x 40"w**

1. Repeat Steps 1 - 3 above.
2. To assemble the trim, attach the 2 side trim pieces to the top trim at each corner using the "L" bracket included in fasteners package. **Figure 14C**
3. Slide panel and trim over top of the insert and into position.



**Figure 14C**



**Figure 14D**

## BLOWER CORD LOCATION & BLOWER CONTROL BOX WITH SWITCH

This insert comes standard with a blower, installed at the factory with blower cord on right side of insert (as you face the unit). The blower cord can also be installed on the left side. Disconnect the cord from right side. ROUTE WIRES IN FRONT OF FAN. Re-install on the left side. Do not route cord behind the cooling fan.

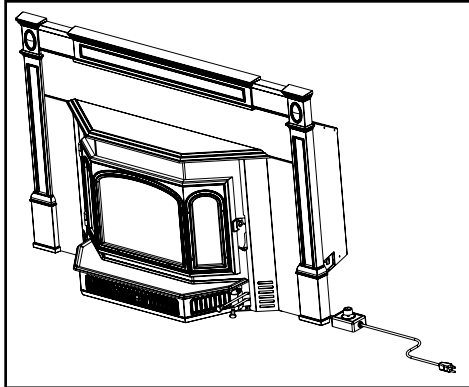


Figure 15A

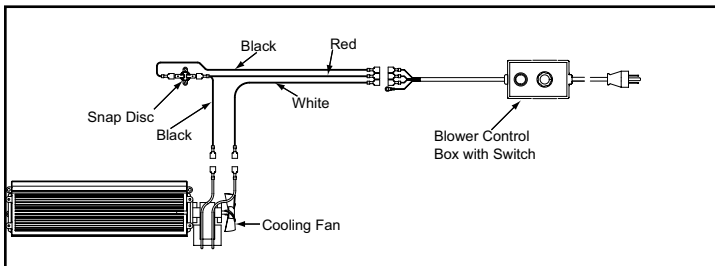


Figure 15B - Right Side Location

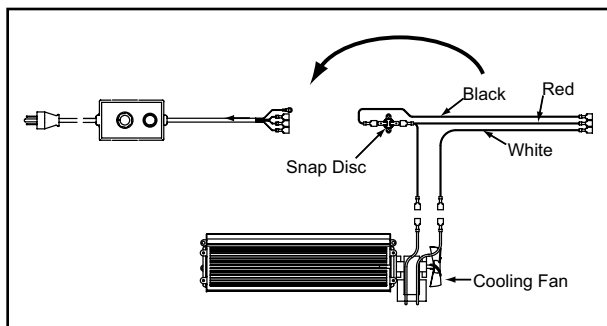


Figure 15C - Left Side Location

## FAN (BLOWER) REPLACEMENT

**Included in Kit:** Replacement Blower

**Tools Needed:** 5-32 Wrench and Phillips Head Screwdriver.

1. Remove bolts from both sides of the insert and slide the lower cast cover towards you. **See Figure 15D**
2. Loosen 4 screws (2 on each side of the motor) that secures motor to the housing. Remove the motor. **See Figure 15E.**
3. Attach new motor using the same screws to the blower housing.
4. Re-attach lower cast cover to insert using the bolts removed in Step 1.

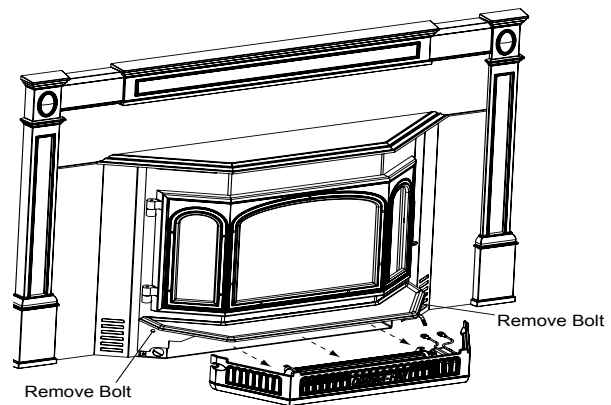


Figure 15D

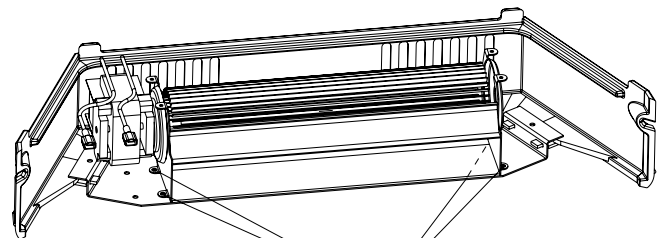


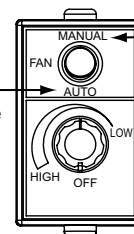
Figure 15E

Remove 4 screws, lift motor from housing

## Operating the Blower Control Box with Switch

1. The blower will turn on/off automatically when set to AUTO.
2. When set to MANUAL, the fan will turn on/off only when you turn it on or off. This setting over-rides the internal snap disc.
3. Adjust the speed of the fan by turning the HIGH/LOW knob to the desired setting.

AUTO: Fan will turn ON/OFF automatically and is controlled by the internal Snap Disc



MANUAL: Over-rides the internal Snap Disc

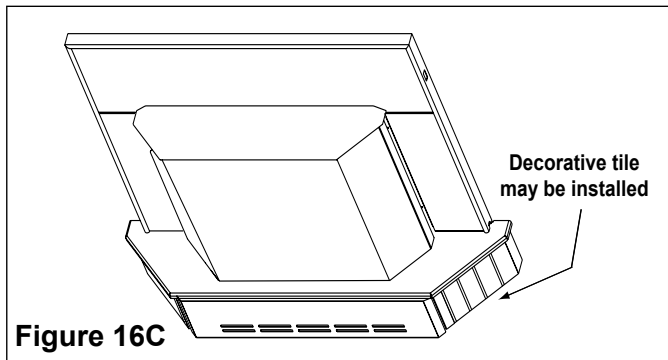
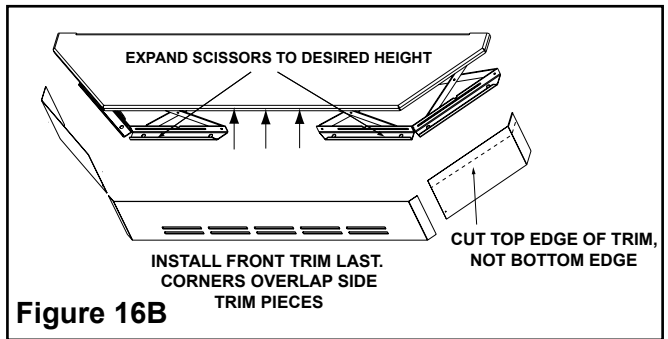
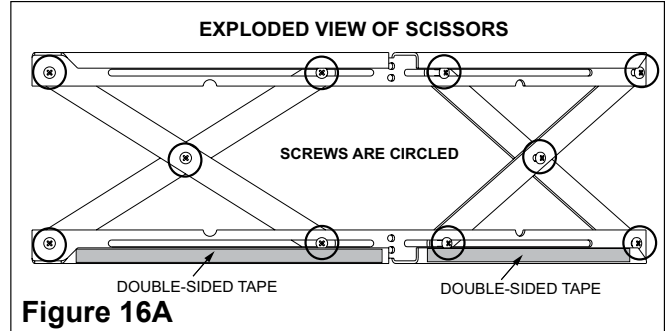
**ZERO CLEARANCE ADJUSTABLE TRIM SUPPORT**

**Two sizes: 9”d x 45”w and 12”d x 50”w, both 2” to 10” Height Adjustment**

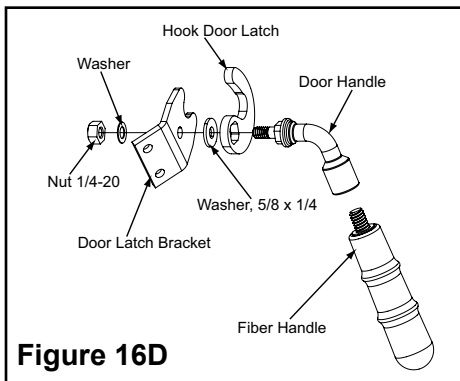
**Included in Kit:** (1) Trim Top, (1) Trim Front, (2) Trim Sides, Double-Sided Tape (already installed)

**Tools Needed:** Phillips Head Screwdriver, Sheet Metal Shears, Measuring Tape, Gloves

1. The 10 screws on each set of scissors will already be loose when shipped. **Figure 16A.**
2. Expand scissors to desired height. Tighten screws to hold in place using Phillips Head screwdriver. **Figure 16B.**
3. Measure front and side trims to required height to cover scissors and mark pieces for cutting. Cut excess material from **top** of trim’s edge, not bottom. This edge will be sharp; wear gloves to prevent injury to your hands. **Figure 16B.**
4. Using sheet metal shears, cut trim along the marked edge. The cut edge fits under lip of top trim, so it allows for some variance in your straight edge.
5. The double-sided tape that holds front and side trims to scissors has a powerful bonding adhesive. Adjustments are extremely difficult once trim has adhered to tape. Do a dry run first without removing paper from tape.
6. Place cut edge of trim under top lip and into position on scissors. Place side pieces on first and then front piece. The front piece overlaps side pieces. **NOTE:** The trim in the Flush Mount Kit is one piece.
7. Once you are satisfied with the positioning, remove trim and set aside.
8. Remove the paper from double-sided tape that is to accept trim side. Align side and then press hard against tape to secure side piece. Repeat for other side. Install front trim piece last. **NOTE:** 3/8” (9.5mm) thick tile or like material can be cut to size and fit under lip of top trim edge for a decorative touch. **Figure 16C.**



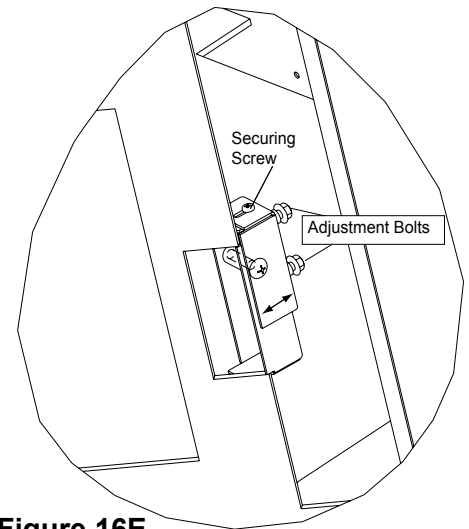
**DOOR HANDLE ASSEMBLY**



**DOOR LATCH ADJUSTMENT**

It is important the door gasket has a proper seal. As the gasket compresses or “seats” during use, it may become necessary to adjust or tighten the door latch.

1. Loosen securing screw (do not remove).
2. Turn adjustment bolts as need for adjustment (in or out) using 7/16” end wrench.
3. Tighten securing screw to hold adjusted position in place.





## OPERATION

### WOOD SELECTION AND STORAGE

Burn only dry seasoned wood. Dry, well-seasoned wood will not only minimize the chance of creosote formation but will give you the most efficient heat output. Even dry wood contains at least 15% moisture by weight and should be burned hot enough to keep the chimney hot enough to maintain particulate (smoke) burning. Burning unseasoned wood of any variety defeats the inserts' efficiency.

Dead wood lying on the forest floor should be considered wet, and requires full seasoning time. Standing wood can be considered to be about two-thirds seasoned. Wood is dry enough to burn if the ends of the logs have cracks radiating in all directions from the center. If your wood sizzles in the fire, even though the surface is dry, it may not be fully cured.

Drying time can be reduced by splitting wood prior to storage. Since the majority of drying occurs through the cut ends rather than the sides, stack the wood so both ends of each piece are exposed to air. Store wood under cover, such as in a shed, or covered with a tarp, plastic, tar paper, sheets of scrap plywood, etc.

### OVERFIRING

Do not overfire. Overfiring can result in crazing, an effect causing a white, non-removable film to be deposited on the inside of the glass. Using flammable liquids or too much wood, or burning trash in the insert, may result in overfiring. If the chimney connector or insert glows red, or worse, white, the insert is overfired. This condition may ignite creosote in the chimney, possibly causing a house fire. If any part of the insert starts to glow, you are in an overfire situation. If you overfire, immediately close the insert controls and door, if open, to reduce the air supply to the fire. **Overfiring your insert voids your warranty.**

### BUILDING A FIRE

**NOTE: Remove all labels from glass front prior to lighting the first fire.**

Before lighting your first fire in the insert, make certain that the baffle is correctly positioned. It should be resting against the rear support. Also refer to care and cleaning of plated surfaces on **page 19** before lighting your first fire.

**CAUTION: Never use gasoline, gasoline-type lantern fuel, kerosene, charcoal lighter fluid, or similar liquids to start or "freshen up" a fire in this heater. Keep all such liquids well away from the heater while it is in use.**

There are many ways to build a fire. The basic principle is to light easily-ignitable tinder or paper, which ignites the fast-burning kindling, which in turn ignites the slow-burning firewood. Here is one method that works well:

1. Place several wads of crushed paper on the firebox floor. *Heating flue with slightly crumpled newspaper before adding kindling keeps smoke to a minimum.*
2. Lay small dry sticks of kindling on top of the paper.
3. Open Start-Up Air Control (bottom rod) and Primary Air Control (top rod) fully. **See Figure 19A on page 19.**
4. Ensure that no matches or other combustibles are in the immediate area of the insert, that the room is adequately ventilated, and the flue is unobstructed.
5. Light the paper in the insert. NEVER light or rekindle insert with kerosene, gasoline, or charcoal lighter fluid; the results can be fatal.
6. Once the kindling is burning quickly, add several full-length logs three inches (76mm) or four inches (102mm) in diameter. Be careful not to smother the fire. Stack the pieces of wood carefully. They should be near enough to keep each other hot, but far enough away from each other to allow adequate air flow between them.
7. When ready to reload the insert, add more logs. Large logs burn slowly, holding a fire longer. Small logs burn fast and hot, giving quick heat.
8. Adjust the Start-Up Air Control and Primary Air Control, maintaining flames above the fuel. The more you close down the Primary Control, the lower and slower the fire will burn. The more you open the Primary Control the more heat will be produced. The Start-Up Air Control (bottom rod) is only used for the first 5 to 15 minutes.

As long as there are hot coals, repeating steps 7 and 8 will maintain a continuous fire.

**NOTE: The special high temperature finish paint applied to the insert will cure as your insert heats. You will notice an odor and perhaps see some vapor rise from the insert surface, this is normal. We recommend that you open a window until the odor dissipates and the paint is cured.**

## OPERATING TIPS HEAT OUTPUT RATES

For maximum operating efficiency with the lowest emissions, follow these operating procedures:

1. Regardless of desired heat output, when loading insert, burn your Quadra-Fire with both air controls wide open for a minimum of 5 to 15 minutes.
2. Regulate burn rate (heat output) by using the Primary Control (top rod). The Start-Up Air Control (bottom rod) is used for initial start-up and reloading.
3. Heat output settings: Follow burn rate instructions listed below.
4. **Burn only dry, well-seasoned wood.**

**WARNING:** Do not operate with Start-Up Air Control in the open position in excess of 15 minutes! Risk of extreme temperatures! Prolonged operation of this unit with the Start-Up Air Control in the open position may cause the combustible materials around the stove to exceed safe temperature limits.

BTU / Hr	Start-Up Air Control	Primary Control
Below 10,000	Closed after 5 to 15 minutes	Pull to Stop
10,000 - 15,000	Closed after 5 to 15 minutes	1" - 1-1/4" open
15,000 - 30,000	Closed after 5 to 15 minutes	1-1/4" - 2-1/2" open
Maximum Heat	Closed after 5 to 15 minutes	Fully open

**\*NOTE:** These are approximate settings, and will vary with type of wood or chimney draft. Due to altitude and other environmental circumstances, this operational information is a guideline only. Similar burn rates may be obtained using other settings unique to your situation.

### BURN RATES

**STARTING FIRE:** Open both controls (push in) completely. After a wood load has been burning on high for 5 to 15 minutes or longer for very large pieces, close the Start-Up Air Control (bottom rod) by pulling it out.

**HIGH:** Leave the Primary Air Control fully open (top rod). It is especially important to fully open both controls when reloading the insert as failure to do so could result in excessive emissions, also referred to as 'opacity'.

**After a wood load has been burning on high for 5 to 15 minutes on High to achieve the following burn rates set the controls as listed below:**

**MEDIUM HIGH:** Close the Primary Air Control to 1-1/4" to 2-1/2" (32mm to 64mm) open. Start-Up Air is closed.

**MEDIUM LOW:** Close the Primary Air Control to 1" to 1-1/4" (25mm to 32mm) open. Start-Up Air is closed.

**LOW:** Gradually close down the Primary Air Control by pulling out making sure to maintain flames in the insert. (Start-Up Air is closed). It is very important to maintain flames in your insert during the first few hours of a low burn to avoid excessive air pollution.

### OPACITY

Opacity is the measure of how clean your insert is burning and is measured in percentages. An opacity of 100% in the smoke column from a chimney will totally obscure an object. Whereas 0% opacity means that no smoke column can be seen. A periodic check of the opacity emitted from your chimney will enable you to burn your insert as smoke free as possible.

### FAN OPERATING INSTRUCTIONS

1. **Initial (cold) startup:** Leave fan off until your insert is hot and a good coal bed is established, approximately 30 minutes after fuel is lit.
2. **High Burn Setting:** The fan may be left on throughout the burn.
3. **Medium Low or Medium High Burn Setting:** The fan should be left off until a good burn is established, then turned on a medium or high rate.
4. **Low Burn Setting:** The fan tends to cool the insert. Leave fan off until the burn is well established; then, if you wish, turn the fan on at a low rate.
5. The fan is equipped with a rheostat (speed control) with a snap disc. The blower will turn on/off automatically when the speed control is set to AUTO. When set to MANUAL, the fan will turn on/off only when you turn it on or off. This setting overrides the snap disc. Adjust the speed of the fan by turning the HIGH/LOW knob to the desired setting.

### ASH REMOVAL

Remove cold ashes (not hot) from the insert at regular intervals, depending on your usage. Ashes should be placed in a metal container with a tight fitting lid. The closed container of ashes should be placed on a non-combustible floor or on the ground, well away from all combustible materials, pending final disposal. If the ashes are disposed of by burial in soil or otherwise locally dispersed, they should be retained in the closed container until all cinders have thoroughly cooled. Always treat ashes as if they contain hot coals.

## BURNING PROCESS

In recent years there has been an increasing concern about air quality. Much of the blame for poor air quality has been placed on the burning of wood for home heating. In order to improve the situation, we at Quadra-Fire have developed cleaner-burning wood stoves and inserts that surpass the requirements for emissions established by our governing agencies. These appliances must be properly operated in order to insure that they perform the way they are designed to perform. Improper operation can turn most any wood stove or insert into a smoldering environmental hazard.

### Kindling or First Stage

It helps to know a little about the actual process of burning in order to understand what goes on inside a wood burning appliance. The first stage of burning is called the kindling stage. In this stage, the wood is heated to a temperature high enough to evaporate the moisture which is present in all wood. The wood will reach the boiling point of water (212°F) and will not get any hotter until the water is evaporated. This process takes heat from the coals and tends to cool the appliance.

Fire requires three things to burn - fuel, air and heat. So, if heat is robbed from the appliance during the drying stage, the new load of wood has reduced the chances for a good clean burn. For this reason, it is always best to burn dry, seasoned firewood. When the wood isn't dry, you must open the air controls and burn at a high burn setting for a longer time to start it burning. The heat generated from the fire should be warming your home and establishing the flue draft, not evaporating the moisture out of wet, unseasoned wood, resulting in wasted heat.

The air control in the right side of the grille, bottom rod, is called the Start-Up Air Control; it is used during the kindling stage of burning. It must be closed (pulled out) after the first 5 to 15 minutes.

### Second Stage

The next stage of burning, the secondary stage, is the period when the wood gives off flammable gases which burn above the fuel with bright flames. During this stage of burning it is very important that the flames be maintained and not allowed to go out. This will ensure the cleanest possible fire. If you are adjusting for a low burn rate, you should close down the air to the point where you can still maintain some flame. If the flames tend to go out, it is set too low for your burning conditions. The air control, located at the right of the grille, top rod, is the one used to adjust for burn rates. This is called the Primary Air Control. **Figure 19A.**

### Final Stage

The final stage of burning is the charcoal stage. This occurs when the flammable gases have been mostly burned and only charcoal remains. This is a naturally clean portion of the burn. The coals burn with hot blue flames.

It is very important to reload your appliance while enough lively hot coals remain in order to provide the amount of heat needed to dry and rekindle the next load of wood. It is best to open the air controls for a short while **before reloading**. This livens up the coal bed. Open door slowly so that ash or smoke does not exit appliance through opening. You should also break up any large chunks and distribute the coals so that the new wood is laid on hot coals.

Air quality is important to all of us, and if we choose to use wood to heat our homes we should do so responsibly. To do this we need to learn to burn our stoves in the cleanest way possible. Doing this will allow us to continue using our wood stoves for many years to come.

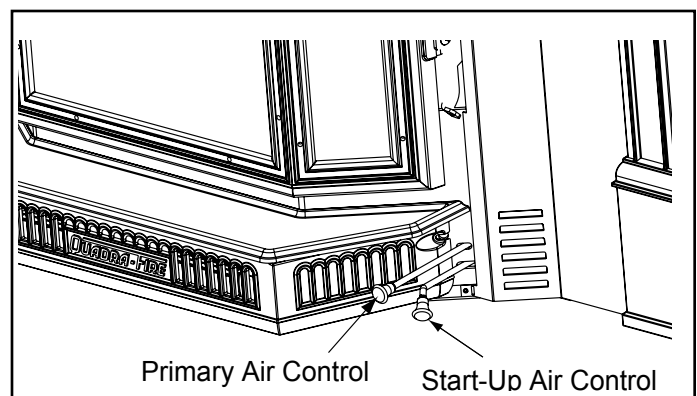
## AIR CONTROLS

### Start-up System

The combustion air enters at the rear of the firebox through the rear air tubes. This air supply is controlled by the Start-up Air Control.

### Primary Air System

The primary air enters at the upper front of the firebox, near the top of the glass door. This preheated air supplies the necessary fresh oxygen to mix with the unburned gases, helping to create second, third and fourth combustions. This air is regulated by the Primary Air Control. For more primary air push control "IN", for less air pull control "OUT".



**Figure 19A**

**OPEN - PUSH IN**

**CLOSE - PULL OUT**

## MAINTENANCE

### CARE AND CLEANING OF PLATED SURFACES

**IMPORTANT:** You must clean all the fingerprints and oils from the plated surfaces before firing the insert for the first time. Use warm soapy water and a soft rag, glass cleaner and a paper towel, or vinegar and a paper towel to remove the oils. **DO NOT** use abrasive cleaners! If not cleaned properly prior to lighting the first fire, the oils can cause permanent stains. The plating will be cured upon firing of the insert and oils will no longer affect the finish. Subsequently, little maintenance is then required. Wipe clean as needed with a soft towel.

### CARE AND CLEANING OF GLASS

**NOTE:** Remove all labels from glass prior to lighting the first fire.

Quadra-Fire inserts are equipped with super heat resistant ceramic glass which can only be broken by impact or misuse. Clean glass with any non-abrasive glass cleaner. Abrasive cleaners may scratch and cause glass to crack. Inspect glass regularly. If you find a crack or break, immediately put the fire out and return the door to your authorized dealer for replacement of glass before further use. Do not substitute materials for glass replacement.

**WARNING! DO NOT SLAM INSERT DOOR OR IMPACT THE GLASS WHEN CLOSING THE DOOR, MAKE SURE THAT LOGS DO NOT PROTRUDE AGAINST THE GLASS.**

**WARNING! DO NOT OPERATE WITH BROKEN GLASS.**

**WARNING! DO NOT CLEAN GLASS WHEN HOT.**

### GLASS REPLACEMENT INSTRUCTIONS

**Replace with 5mm ceramic glass only**

1. Remove door from insert and lay on a padded flat surface.
2. Remove glass retainer screws using a Phillips screwdriver.
3. Lift glass out of the door frame and/or side frames.
4. Lay new glass with fiberglass tape around it into door frame and/or side frames.
5. Place glass retainers over the fiberglass tape on the edges of the glass and re-install screws. Be sure glass is centered in the opening (i.e. same space top and bottom, left and right).
6. Tighten screws enough to hold frame and glass in place.
7. Check again for centering of glass in door and/or side frames and give all screws a final tightening.

### CREOSOTE FORMATION AND NEED FOR REMOVAL

When wood is burned slowly it produces tar and other organic vapors which combine with expelled moisture, and, in turn forms creosote. These creosote vapors condense in the relatively cool chimney flue when a fire is newly started, or from a slowly burning fire, and accumulate on the flue lining of the chimney.

A build up of creosote can then be ignited by sparks rising up the chimney. When ignited, this situation makes an extremely hot fire which may damage the chimney and even destroy your home. The chimney connector and chimney should be inspected at least once every two months during the heating season to determine if a creosote buildup has occurred. It is extremely important that this residue is removed at regular intervals, usually once a year depending on your burning habits, to prevent the occurrence of a chimney fire. It is highly recommended that you contact a professional chimney cleaner for this area of maintenance.

### CHIMNEY

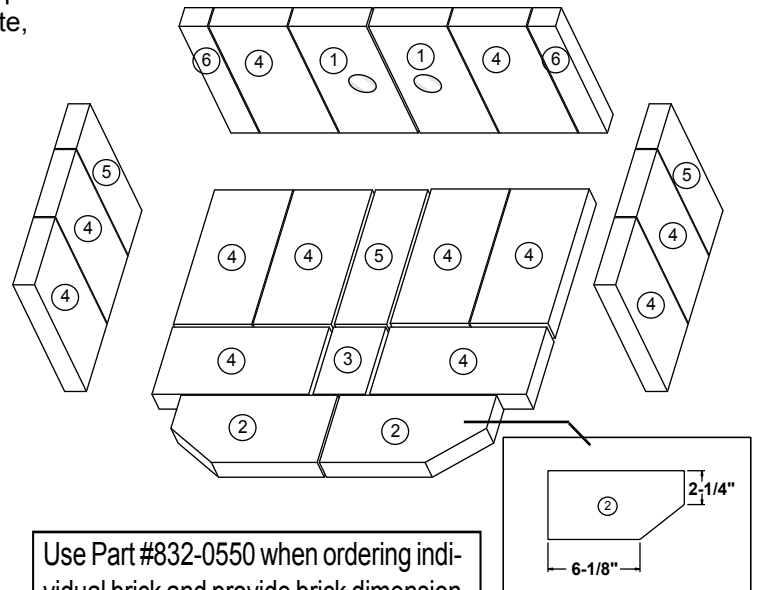
If your type of installation involves a full reline of the chimney, it will be necessary to either remove the baffle from the insert, or remove the insert from the fireplace and disconnect the vent prior to cleaning the chimney. Refer to **page 20** in this manual for instructions on Baffle Removal.

If your type of installation is direct connect within a masonry chimney, the insert will need to be pulled out from the fireplace and disconnected from the flue prior to cleaning the chimney. The creosote can either be caught in a large garbage bag secured to the pipe or swept and vacuumed out of the fireplace. Reconnect the pipe and re-install the insert following installation instructions in this manual on **page 9**.

## BRICK REPLACEMENT INSTRUCTIONS

The firebox is lined with high quality firebrick which has exceptional insulating properties. There is no need for a grate, simply build a fire on the firebox of your insert.

1. Be certain coals are completely cold. Remove all old brick and ash from unit and vacuum out firebox.
2. Remove new brick set from box and lay out to THE diagram as shown.
3. Lay bottom bricks in unit.
4. Install rear bricks on the top of the bottom bricks. Slide top of bricks under clip on back of firebox wall and push bottom of brick back.
5. Install side bricks. Slide top of brick under clips on side of firebox and push the bottom of the brick until it is flush with the side of the unit.



Use Part #832-0550 when ordering individual brick and provide brick dimension or copy this page and mark the desired brick and take it to your authorized dealer.

Item	Brick Size	Qty in Set
1	9 x 4-1/2 x 1-1/4" with hole	2
2	9 x 4 x 1-1/4" with cut	2
3	4-1/2 x 3 x 1-1/4"	1
4	9 x 4-1/2 x 1-1/4"	12
5	9 x 3 x 1-1/4"	3
6	9 x 1-1/2 x 1-1/4"	2

## BAFFLE REMOVAL & INSTALLATION

**NOTE:** The baffle material is 2700° Fiber Board. Removing hardware exposed to combustion processes can be frustrating. If your reason for removing the baffle is simply to clean the chimney, you have alternatives which will save time and effort. Call a qualified chimney sweep or an authorized Quadra-Fire dealer for details.

1. Remove all ash from firebox, and extinguish all hot embers before disposal into a metal container.
2. Remove ceramic blanket from above the baffle.
3. With a 3/16" Allen wrench, remove 2 front manifold tube retainer bolts on the air channel under the end of the front tubes. **NOTE:** Soak the bolts with penetrating oil for at least 15 minutes before trying to remove them. **Figure 21A.**
4. To remove manifold tubes, slide the tube to one side until one end is out of its hole. Then, while lifting that end of the fiber board baffle, pull tube up over the air channel and out of hole at the other end. It is necessary to remove the first two tubes in order to remove the baffle. **NOTE:** When replacing the manifold tubes, be sure the tube with the larger holes is placed in the front for your insert to operate properly.
5. Slide fiber board baffle forward to front of stove and straight out through door. **Figure 21B.**
6. To install the fiber board baffle, repeat steps 2 through 4 in reverse. Be sure the fiber board baffle and ceramic blanket are pushed back fully into position and the ceramic blanket lays flat.

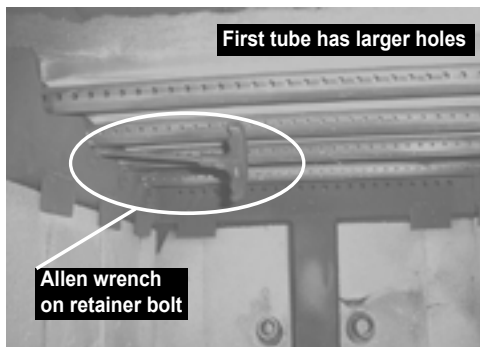


Figure 21A - Manifold tubes retaining bolt.

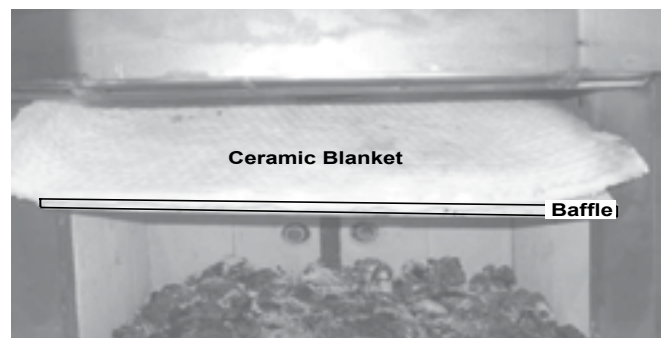
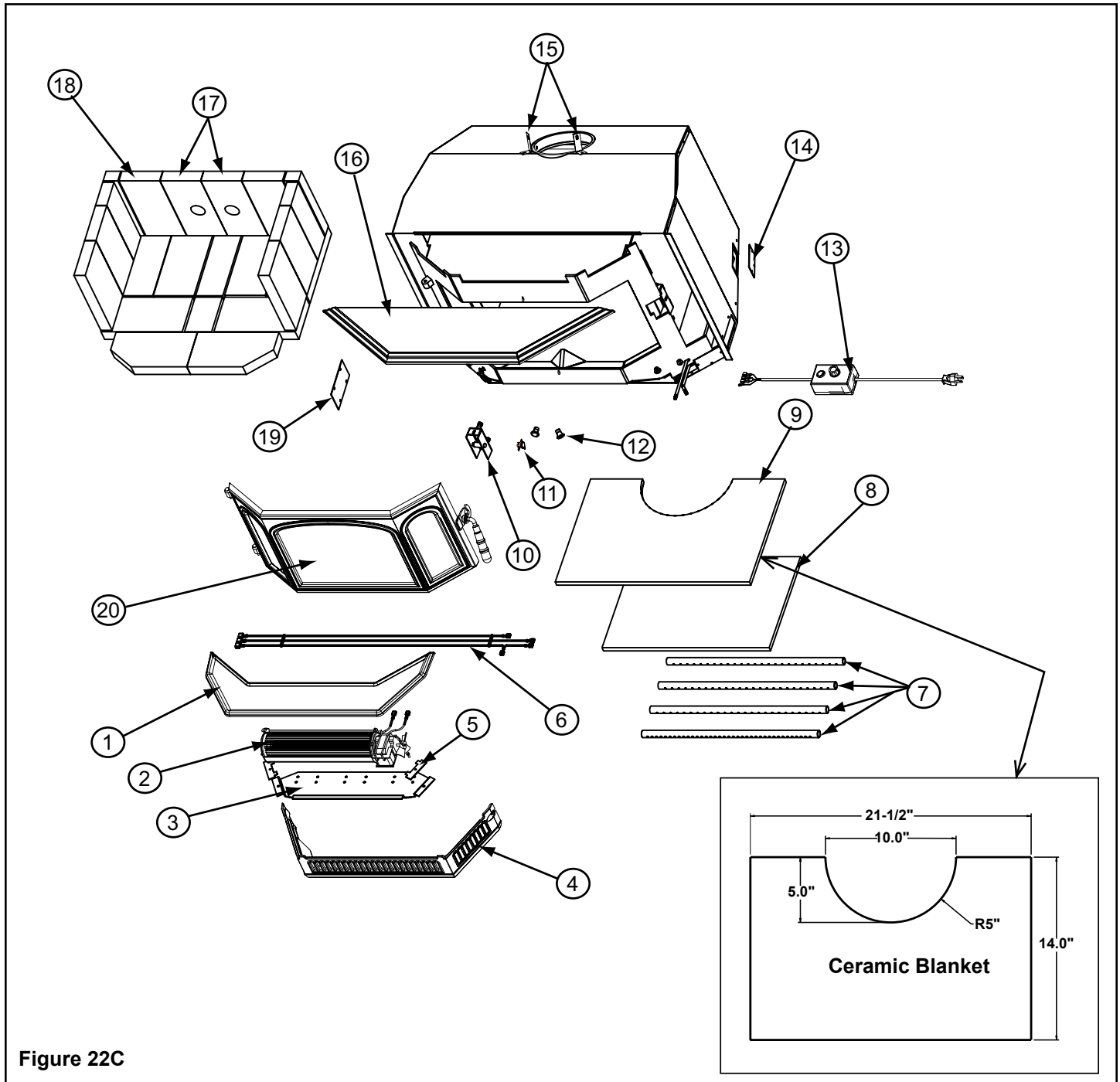


Figure 21B - Baffle & Ceramic Blanket on top.

**EXPLODED VIEWS**



**Figure 22C**

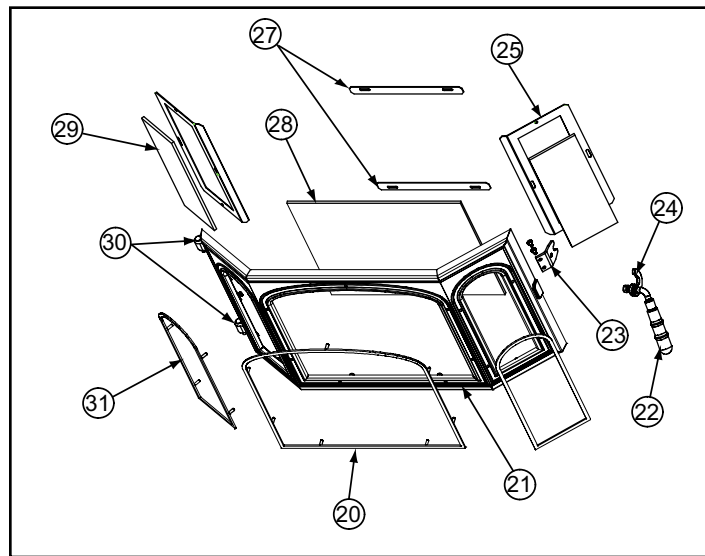
Item	Description	Item	Description	Item	Description
1	Ashcatcher	8	Baffle, Fiberboard	15	Flue Tab
2	Blower, 180 cfm	9	Ceramic Blanket, 1/2"	16	Top, Cast
3	Blower Mount Base	10	Door Latch Box Assembly	17	Brick (2) with holes
4	Blower Housing, Cast	11	Snap Disc 110 degree	18	Brick, Set
5	Blower Mount Clamp	12	Knob, Air Control	19	Wire Access Panel
6	Wire Harness	13	Blower Control Box w/Switch	20	Door Assy w/Glass
7	Manifold Tubes Set	14	Outside Air Cover Plate		

## Service Parts and Accessories

**IMPORTANT:** THIS IS DATED INFORMATION. The most current information is located on the Quadra-Fire web site at [www.quadrafire.com](http://www.quadrafire.com). When ordering, supply serial and model numbers to ensure correct part.

Item #	Part Description Alphabetical Order	SKU
1	Ashcatcher	435-0310
8	Baffle, Fiberboard	832-3520
9	Blanket, Ceramic 1/2" thick	832-3390
3	Blower Mount Base	435-0320
5	Blower Mount Clamp	435-0400
2	Blower Assembly, 180 cfm	832-3491
13	Blower Control Box with Switch (included wire harness)	SRV7000-194
4	Blower Housing, Cast	435-0590
18	Brick Set	832-3500
	Brick, Single (give dimensions of brick, see page 21)	832-0550
17	Brick, with holes (Set of 2)	SRV435-0800
	Brick, Uncut Set of 6	832-3040
	Component Pack (includes Owner's Manual, Touch-up Paint, Warranty Card, Door Handle, 2 Screws, Permanent Label "If Fireplace Altered").	435-5310
19	Door Assembly with Glass, Gold	435-5190
19	Door Assembly with Glass, Nickel	435-5300
19	Door Assembly with Glass, Gold	435-5340
19	Door Assembly with Glass, Nickel	435-5390
22	Door Handle, Fiber	SRV433-1380
21	Door Frame, Cast	435-0050
	Door Handle Assembly	832-3570
	Door Handle Assembly	
	Door Handle Assembly	
	Latch Replacement Kit	SRV435-5510
	Door Handle Arm (Metal)	435-1470
30	Door Latch Arm	435-0250
24	Hook, Door Latch	435-1190
23	Door Latch Bracket	435-1480
29	Door Latch Bracket	435-1370
10	Door Latch Box Assembly	435-5270
27	Glass Frame, Front	435-0960
25	Glass Frame, Side	435-0950
28	Glass Assembly, Front	435-5470
29	Glass Assembly, Side (1 piece)	435-5480
30	Hinge Pin, Gold	72171
30	Hinge Pin, Nickel	433-1590
12	Knob, Air Control	32284
7	Manifold Tubes, Set of 4	832-3530
	Manifold Clips & Screws	832-0661
14	Outside Air Cover Plate	435-0290
19	Panel, Wire Access	435-0900
11	Snap Disc, 110 degrees	230-1220

Item #	Part Description Alphabetical Order	SKU
16	Top, Cast	435-0300
	Trim, Cast, Footer, Left	414-7090MBK
	Trim, Cast, Footer, Right	414-7100MBK
	Trim, Cast, Header	414-7110MBK
	Trim, Cast, Leg, Left	414-7120MBK
	Trim, Cast, Leg, Right	414-7130MBK
	Trim, Cast, Set, Matte Black (5 piece)	811-0930
20	Trim, Ring, Front, Gold	435-0570
20	Trim, Ring, Front, Nickel	435-0990
31	Trim, Ring, Side, Gold	435-0580
31	Trim, Ring, Side, Nickel	435-1000
6	Wire Harness Only	435-1420



**Figure 24A**

Accessories	Part No.
Cast Trim Set, Matte Black, 5 pc	811-0930
Panel Set Standard, 30-1/2" h x 44-3/4" w (order cast trim separately)	831-2010
Panel Set, Large, 34" h x 48" w, (order cast trim separately)	831-2020
Panel & Trim Set, Gold, Basic, Standard, 30-1/2" h x 44-3/4" w	SP-BB3044-GD
Panel & Trim Set, Nickel, Small, 30-1/2" h x 44-5/8" w	SP-BB3044-NL
Zero Clearance Trim Support, Adjustable, 9" d x 45" w, 2" - 10" high	841-0990
Zero Clearance Trim Support, Adjustable, 12" d x 50" w, 2" - 10" high	ADJSPT-12





**Warranty Policy**

**Hearth & Home Technologies LIMITED WARRANTY**

Hearth & Home Technologies (“HHT”) and its respective brands extends the following warranty for HHT gas, wood, pellet and electric appliances purchased from an authorized HHT dealer and installed in the United States of America or Canada. Warranty starts with date of purchase by the original owner (End User) except as noted for replacement parts.

Warranty Period		HHT Manufactured Appliances and Venting						Components Covered
Parts	Labor	Gas	Wood	Pellet	EPA Wood	Electric	Venting	
1 Year		X	X	X	X	X	X	All Parts and Material Except as covered by Conditions, Exclusion, and Limitations listed
2 years				X	X			Igniters, Electronic Components, and Glass
		X	X	X	X			Blowers
			X					Molded Refractory Panels
3 years				X				Firepots
5 years	3 years			X	X			Castings & Baffles
7 years	3 years		X	X	X			Firebox, HHT Chimney, Termination & Heat Exchanger
10 years	1 year	X						Burners, Logs & Refractory
Limited Lifetime	1 year	X						Firebox & Heat Exchanger
90 Days		X	X	X	X	X	X	All Replacement Parts
See Conditions, Exclusions, and limitations.								9-01-08

**CONDITIONS, EXCLUSIONS & LIMITATION OF LIABILITY**

- This warranty applies to the original owner and is transferable up to two years from date of purchase to the new homeowner, provided the purchase was made through an authorized dealer or distributor of HHT, and the appliance remains in its original place of installation.
- The maximum amount recoverable under this warranty is limited to the purchase price of the product.
- In no event shall HHT be liable for any incidental or consequential damages caused by defects in the product.
- Adjustments, regular maintenance, cleaning and temporary repairs, or the failure to duplicate the problem in the home is not covered under this warranty.
- This limited warranty does not extend to or include surface finish on the appliance or terminations, door gasketing, glass gasketing, glass discoloration, firebrick, pellet logs, kaowool or other ceramic insulating materials. Rust and/or corrosion on any of the metal surfaces, cast iron components, baffles, firepots, doors, or firebox area are not covered by this warranty.
- Noise resulting from minor expansion, contraction, or movement of certain parts is normal and complaints related to this noise are not covered by this warranty.

4021-645A 09-01-08

**Hearth & Home Technologies LIMITED WARRANTY (Cont'd)**

- HHT's obligation under this warranty does not extend to damages resulting from: (1) installation, operation or maintenance of the appliance not in accordance with the installation instructions; operating instructions and the listing agent identification label furnished with the appliance; (2) installation which does not comply with local building codes; (3) shipping, improper handling, improper operation, abuse, misuse, accident or unworkmanlike repairs; (4) environmental conditions, inadequate ventilation or drafting caused by tight sealing construction of the structure or handling devices such as exhaust fans or forced air furnaces or other such causes; (5) use of fuels other than those specified in the operating instructions; (6) installation or use of components not supplied with the appliance or any other components not expressly authorized and approved by HHT; and/or (7) modification of the appliance not expressly authorized and approved by HHT in writing.
- This warranty does not apply to non-HHT venting components, hearth components or other accessories used in conjunction with the installation of this product.
- This warranty is void if the appliance has been over-fired or operated in atmospheres contaminated by chlorine, fluorine, or other damaging chemicals the appliance is subject to prolonged periods of dampness or condensation, or there is any damage to the appliance or other components due to water or weather damage which is the result of, but not limited to, improper chimney or venting installation.
- HHT's liability under this warranty is limited to the replacement and repair of defective components or workmanship during the applicable period. HHT may fully discharge all of its obligations under such warranties by repairing the defective component(s) at HHT's discretion. Shipping costs are not covered under this warranty.
- Some states do not allow exclusions or limitation of incidental or consequential damages, so those limitations may not apply to you. This warranty gives you specific rights; you may also have other rights, which vary from state to state.
- EXCEPT TO THE EXTENT PROVIDED BY LAW, HHT MAKES NO EXPRESS WARRANTIES OTHER THAN THE WARRANTY SPECIFIED HEREIN. THE DURATION OF ANY IMPLIED WARRANTY IS LIMITED TO DURATION OF THE WARRANTY SPECIFIED ABOVE.

*This Limited Warranty is effective on all HHT appliances sold after September 01, 2008 and supersedes any and all warranties currently in existence.*


If warranty service is needed, you should contact your installing dealer. If the installing dealer is unable to provide necessary parts or components, contact the nearest authorized HHT dealer or supplier.

# QUADRA-FIRE®

## CONTACT INFORMATION:

Hearth & Home Technologies  
1445 North Highway  
Colville, WA 99114  
Division of HNI INDUSTRIES

Please contact your Quadra-Fire dealer with any questions or concerns.  
For the number of your nearest Quadra-Fire dealer,  
log onto [www.quadrafire.com](http://www.quadrafire.com)

	<b>CAUTION</b>
	<ul style="list-style-type: none"><li>• Do NOT discard this manual.</li><li>• Important operating and maintenance instructions included.</li><li>• Read, understand and follow these instructions for safe installation and operation.</li><li>• Leave this manual with party responsible for use and operation.</li></ul>



## Your Records for Model:

**4100-I ACT Wood Insert**

### WHERE PURCHASED:

SERIAL NUMBER: \_\_\_\_\_

DATE PURCHASED: \_\_\_\_\_

DATE INSTALLED: \_\_\_\_\_

TELEPHONE: \_\_\_\_\_

This product may be covered by one or more of the following patents: (United States) 4593510, 4686807, 4766876, 4793322, 4811534, 5000162, 5016609, 5076254, 5113843, 5191877, 5218953, 5263471, 5328356, 5341794, 5347983, 5429495, 5452708, 5542407, 5601073, 5613487, 5647340, 5688568, 5762062, 5775408, 5890485, 5931661, 5941237, 5947112, 5996575, 6006743, 6019099, 6048195, 6053165, 6145502, 6170481, 6237588, 6296474, 6374822, 6413079, 6439226, 6484712, 6543698, 6550687, 6601579, 6672860, 6688302B2, 6715724B2, 6729551, 6736133, 6748940, 6748942, D320652, D445174, D462436; (Canada)1297749, 2195264, 2225408; or other U.S. and foreign patents pending.



## Free Manuals Download Website

<http://myh66.com>

<http://usermanuals.us>

<http://www.somanuals.com>

<http://www.4manuals.cc>

<http://www.manual-lib.com>

<http://www.404manual.com>

<http://www.luxmanual.com>

<http://aubethermostatmanual.com>

Golf course search by state

<http://golfingnear.com>

Email search by domain

<http://emailbydomain.com>

Auto manuals search

<http://auto.somanuals.com>

TV manuals search

<http://tv.somanuals.com>