

## ***Installation Guide for the 36-EBU and 42-EBU Electric Fireplace***

### **LISTINGS AND CODE APPROVALS**

The EBU series fireplaces have been tested in accordance with the UL 2021 and CSA C22.2 No. 46 standards for fixed and location-dedicated electric room heaters.

### **MODEL SPECIFICATIONS**

Model Number	Description	Voltage Volts	Rated Power Watts	Remote Control	Wall Thermostat	Mesh Screen	AMPS 120Volt	AMPS 208Volt	AMPS 240Volt
36-EBU	36" Standard	120/208/240	1650/2340/3025	Included	Included	Included	13.75	11.25	12.6
42-EBU	42" Standard	120/208/240	1650/2340/3025	Included	Included	Included	13.75	11.25	12.6

**NOTE:** Power ratings shown include the light bulbs and motor (275 watts)

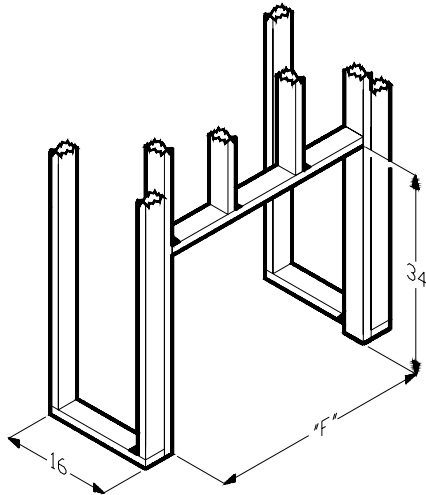
### **STEP-BY-STEP INSTALLATION** (Note: Please read all instructions before installing)

1. Rough in framing opening following the recommended dimensions (Section A: Framing).
2. Allow 8" of service cable for connecting to the junction box on the fireplace. Remove the outer jacket and strip the individual conductors ½" from the end.
3. Loosen the screw securing junction box cover and remove the cover.
4. Remove knockouts if necessary or use the provided cable clamp.
5. Place unit in position in the opening, level with shims if necessary and attach unit to frame using nailing flanges provided.
6. Unit is factory wired for 208/240 volt power supply. If 120 volt operation is required, slide the switch and reconfigure the wiring as covered in section C wiring. Wires L1, L2, N & G are attached to the rear of the junction box cable clamp for easy access.
7. Wire a dedicated, properly fused circuit with a 20amp rating for the appropriate voltage (120, 208/240).
8. Make wall mounted thermostat connections as outlined in Section C: Wiring.
9. Place all connectors inside the unit and replace the junction box cover, ensuring that the cable clamp grips only the jacket of service or thermostat.

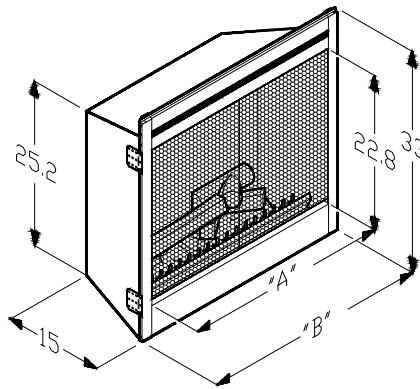
## SECTION A: FRAMING

EBU Dimensions

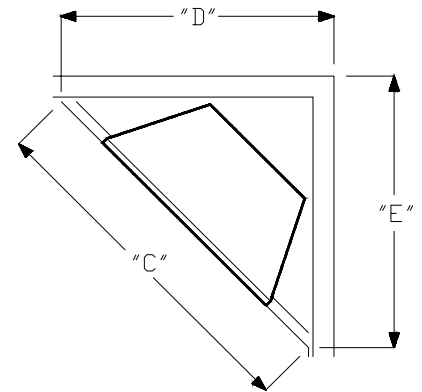
MODEL	A	B	C	D	E	F
36-EBU	35.5"	38.7"	54.0"	38.0"	38.0"	40.0"
42-EBU	41.5"	44.7"	60.0"	42.0"	42.0"	46.0"



Rough-in framing dimensions



EBU dimensions



Rough-in corner framing dimensions

This fireplace is a zero clearance design. Combustibles may be installed to the edge of the unit. A drywall lip at the top of the unit and four nailing flanges on the sides of the unit are provided on each unit to facilitate installation. Insulation and vapor barrier can be placed a minimum of 2 inches from the unit.

## SECTION B: RECOMMENDED POWER SUPPLY WIRE SPECIFICATIONS

For 120 volt installations use two conductors, non-metallic sheath cable with ground wire for the incoming power supply on EBU fireplace inserts. Use the appropriate wire to meet local and national electrical codes for rated power consumption.

For 208 / 240 volt installations use three conductors, non-metallic sheath cable with ground wire for the incoming power supply on EBU fireplaces. Use the appropriate wire to meet local and national electrical codes for rated power consumption.

Two conductors, non-metallic sheath cable with ground wire is recommended for installation of a wall mounted thermostat on EBU fireplaces. Use appropriate wire to meet local and national electrical codes for rated power consumption. Thermostat switch wire gauge must match the recommended wire sizes shown below.

### RECOMMENDED WIRE AND FUSING REQUIREMENTS

VOLTS	WIRE GAUGE	FUSE RATING
120 VOLT	12 GAUGE	20 AMP
208 VOLT	14 GAUGE	15 AMP
240 VOLT	12 GAUGE	20 AMP

## SECTION C: WIRING

**NOTE:** The unit is factory configured for 208/240 volt operation

**NOTE:** All wiring must be completed prior to installing the unit.

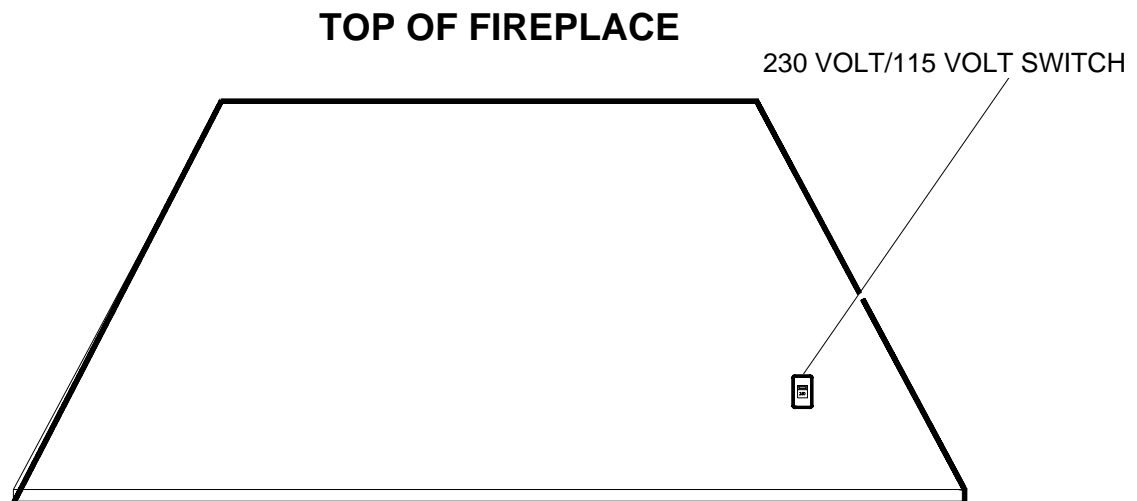
**NOTE:** Ensure that the power conversion switch is in the proper position for the required supply voltage prior to connecting the unit to power supply.

### 240 VOLT INSTALLATIONS

1. Locate the switch on the top corner of the unit.
2. Ensure that the switch is in the 230 volt position.
3. Loosen the screw securing the junction box cover and remove the cover.
4. Remove the knockouts (if necessary) or use the provided cable clamp.
5. Pull out the four wires marked L1, L2, N, and G.
6. Connect the black L1 wire from the unit to the L1 from the power supply. Connect the red L2 wire from the unit to the L2 from the power supply. Connect the white N wire from the unit to the neutral from the power supply. Connect the green ground wire from the unit to the ground from the power supply.
7. When the unit has been configured for the appropriate power supply voltage, ensure that all connections are tight. Insert all the wiring into the unit and secure with a cable clamp.

### TO RECONFIGURE FROM 240 VOLT TO 120 VOLT

1. Locate the switch on the top corner of the unit.
2. Flip the switch from 230 volt to 115 volt configuration.
3. Loosen the screw securing the junction box cover and remove the cover.
4. Remove the knockouts (if necessary) or use the provided cable clamp.
5. Pull out the four wires marked L1, L2, N, and G.
6. Connect the black L1 wire from the unit to the L1 from the power supply. Connect the red L2 and white N wires to the neutral from the power supply. Connect the green ground wire from the unit to the ground from the power supply.
7. When the unit has been configured for the appropriate power supply voltage, ensure that all connections are tight. Insert all the wiring into the unit and secure with a cable clamp.



## WALL MOUNTED THERMOSTAT WIRING

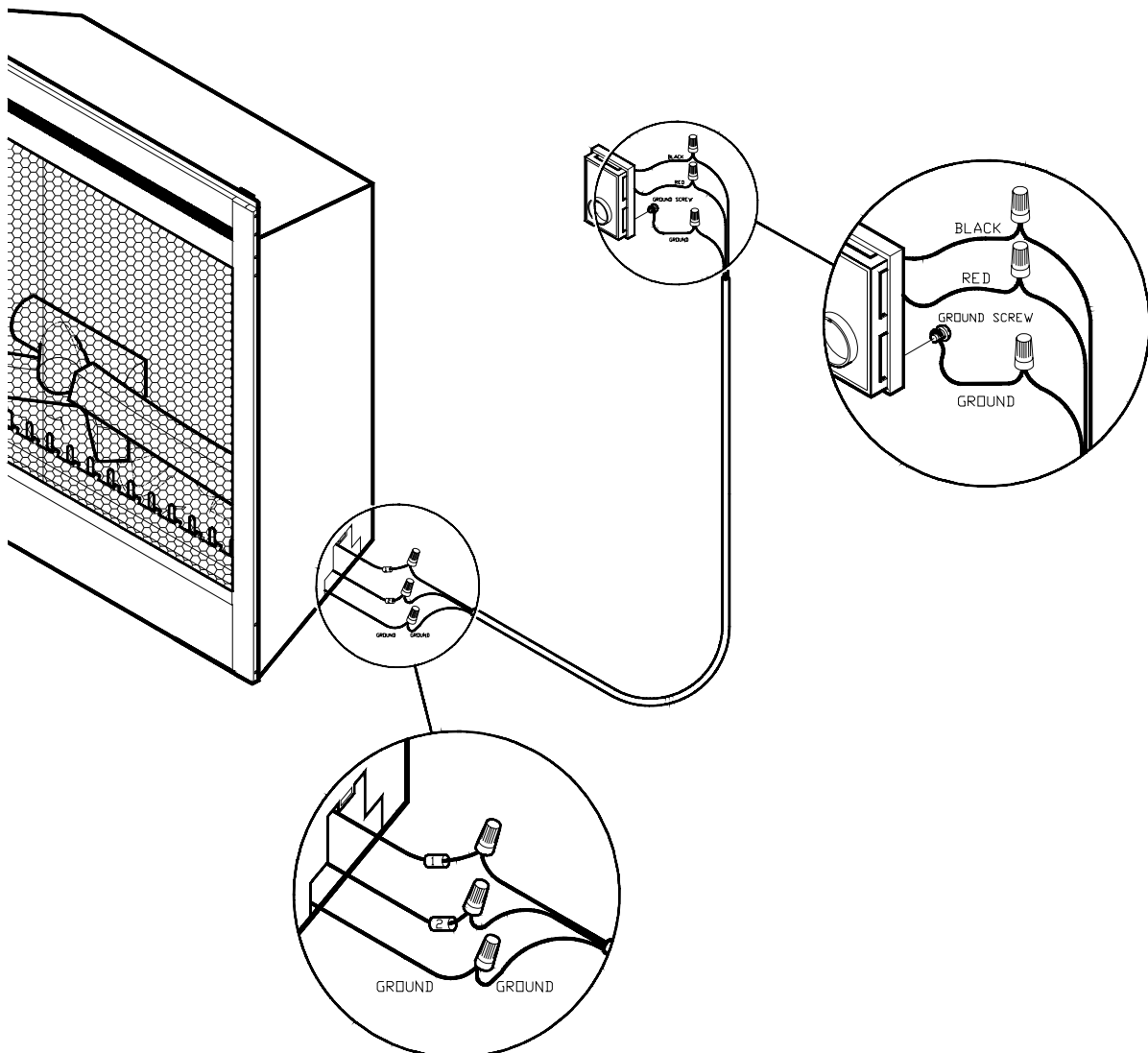
**NOTE:** Wiring of the thermostat must be completed prior to installing the unit.

**NOTE:** The following installation instructions are for a single pole thermostat included with the unit.

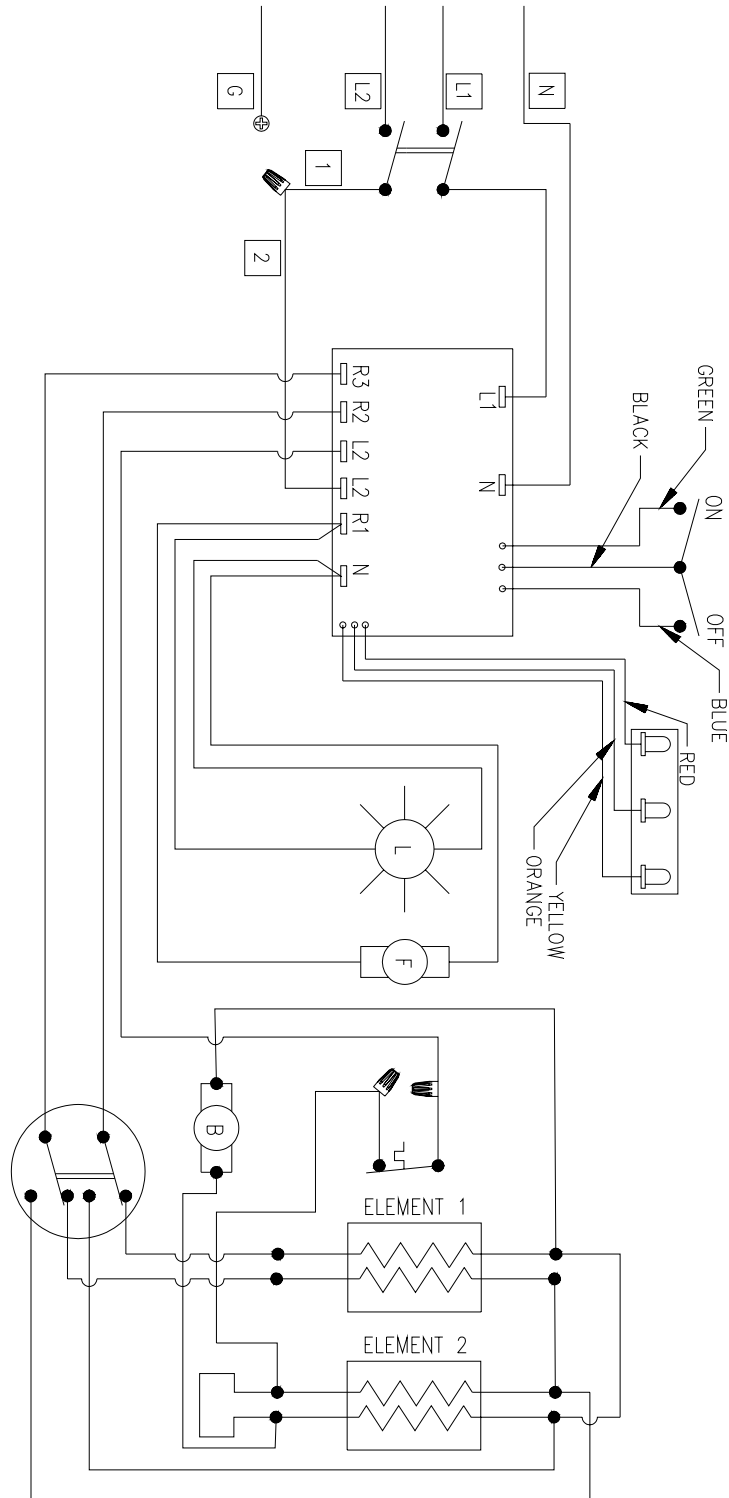
### 120 / 240VOLT INSTALLATIONS

The wall mounted thermostat is connected to the fireplace by running a 2 conductor wire with a ground from the junction box on the back of the unit to the thermostat.

1. Locate the switch on the top corner of the unit and ensure that the power conversion switch is in the proper position for the required supply voltage.
2. Loosen the screw securing the junction box and remove the cover. Pull out the wire nut that contains wires marked 1 & 2.
3. Remove the wire nut and separate the wires marked 1 & 2.
4. Connect one of the wires from the thermostat to the wire marked 1 and the other wire to the wire marked 2.
5. Connect the ground wire from the thermostat to the ground wire grouping from the power supply.
6. Ensure that all connections are tight. Insert all the wiring into the unit and secure with a cable clamp.



# WIRING DIAGRAM WITH REMOTE CONTROL

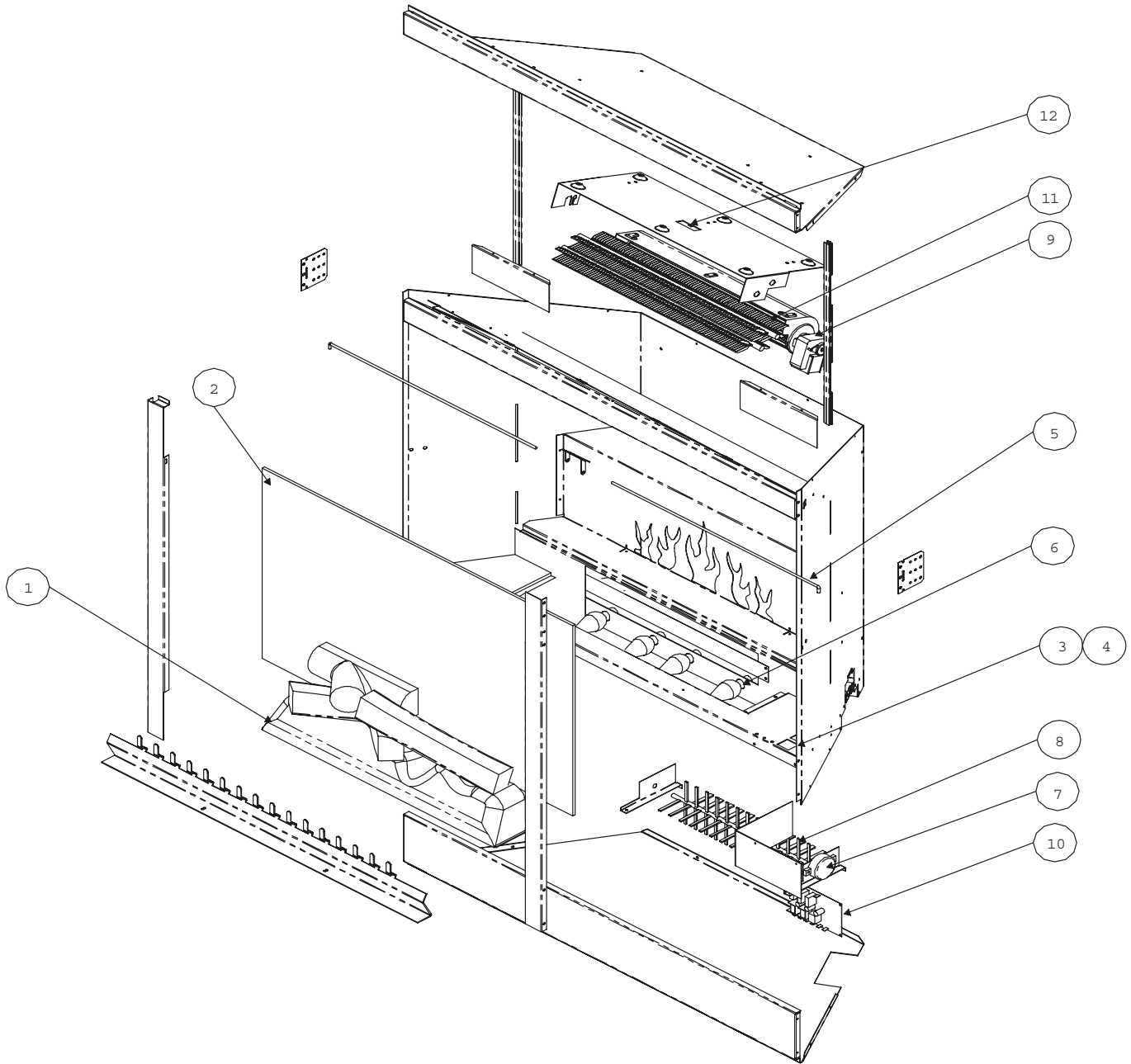


# Service Parts

(NG, LP) Exploded Part Diagram  
(GN, PL) Vue éclatée des pièces

## 36-EBU, 42-EBU

Beginning Manufacturing Date: 6-01  
Ending Manufacturing Date: \_\_\_\_\_



## 36-EBU, 42-EBU Electric Fireplace Service Parts List

		MODEL >	36-EBU	42-EBU
		MOD. LEVEL >	None	None
ITEM	REPLACEMENT PART	PART NUMBER		
1	LOG SET		0438200300RP	0438200300RP
1	30" LOG SET		0438440100RP	0438440100RP
2	MIRROR ASSEMBLY		5900160100RP	5900160200RP
3	POWER ON/OFF SWITCH		2800070400RP	2800070400RP
4	AUXILARY CONTROL SWITCH		2800070500RP	2800070500RP
5	MESH CURTAIN		8800240103RP	8800240203RP
6	LOWER LIGHT HARNESS		2500130100RP	2500130100RP
7	AC MOTOR		6900360100RP	6900360100RP
8	REFLECTOR ROTISSERIE		6900190500RP	6900190500RP
9	BLOWER ASSEMBLY		5300110300RP	5300110300RP
10	REMOTE CONTROL ASSEMBLY		3000200300RP	3000200300RP
11	ELEMENT		2200460100RP	2200460100RP
12	TEMPERATURE LIMITING SWITCH		2300200200RP	2300200200RP
	HIGH LIMIT CUTOUT		2300200100RP	2300200100RP
	WALL MOUNTED THERMOSTAT		TS901W	TS901W
	REMOTE CONTROL TRANSMITTER		3000200600RP	3000200600RP
	CIRCUIT BOARD		3000200700RP	3000200700RP
	MIRROR CHANNEL		0438290100RP	0438290100RP
	MESH SCREEN ROD		8800250100RP	8800250200RP
	VOLTAGE SELECTOR SWITCH WITH WIRES		2500180100RP	2500180100RP

Use Sylvania light bulbs item #SL13460 that can be ordered via the website [www.lite-house.com](http://www.lite-house.com) or by call 1-800-838-0977. You can also buy replacement bulbs at most hardware stores and home centers: clear chandelier Candelabra bulbs with E-12 (small) socket base, 60 watts rating. Ex. GE 60BC or Phillips 60CTC.

## Free Manuals Download Website

<http://myh66.com>

<http://usermanuals.us>

<http://www.somanuals.com>

<http://www.4manuals.cc>

<http://www.manual-lib.com>

<http://www.404manual.com>

<http://www.luxmanual.com>

<http://aubethermostatmanual.com>

Golf course search by state

<http://golfingnear.com>

Email search by domain

<http://emailbydomain.com>

Auto manuals search

<http://auto.somanuals.com>

TV manuals search

<http://tv.somanuals.com>