

U32 Gas Insert

Owners & Installation Manual



MODELS: U32-NG5 Natural Gas U32-LP5 Propane

WARNING:

Improper installation, adjustment, alteration, service or maintenance can cause injury or property damage. Refer to this manual. For assistance or additional information consult an authorized installer, service agency or the gas supplier.

FOR YOUR SAFETY

Do not store or use gasoline or other flammable vapours and liquids in the vicinity of this or any other appliance.

Installation and service must be performed by an authorized installer, service agency or the gas supplier.

FOR YOUR SAFETY

What to do if you smell gas:

- Do not try to light any appliance
- Do not touch any electrical switch: do not use any phone in your building.
- Immediately call your gas supplier from a neighbour's phone. Follow the gas supplier's instructions.
- If you cannot reach your gas supplier, call the fire department.

Tested by:



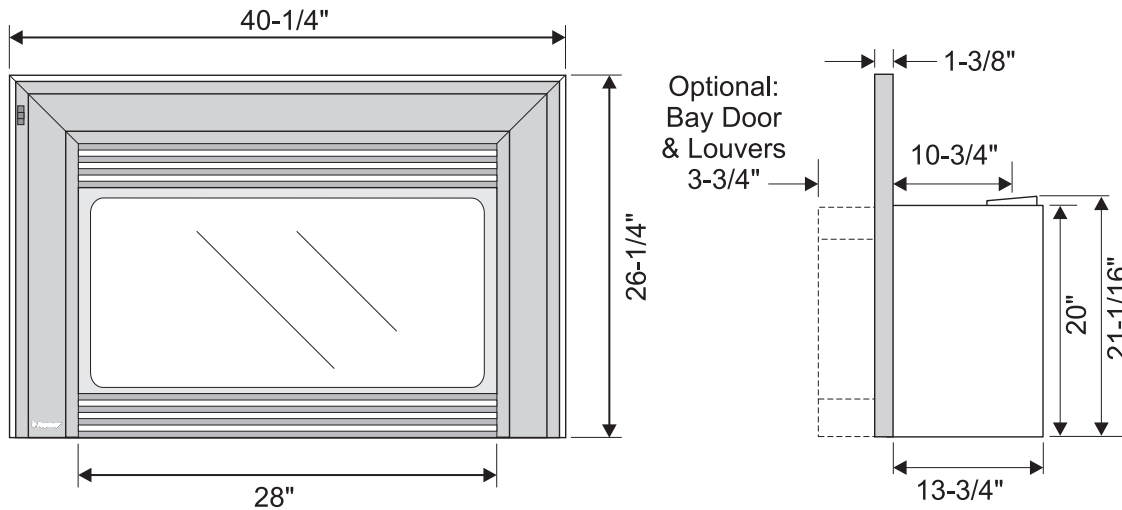
Installer: Please complete the details on the back cover and leave this manual with the homeowner.
Homeowner: Please keep these instructions for future reference.

TO THE NEW OWNER

Congratulations! You are the owner of a state-of-the-art Gas Insert by FPI.

The FPI Gas Insert Series of hand crafted appliances has been designed to provide you with all the warmth and charm of a fireplace, at the flick of a switch. The models U32-NG5 and U32-LP5 of this series have been approved by Warnock Hersey for both safety and efficiency. As it also bears our own mark, it promises to provide you with economy, comfort and security for many trouble free years to follow.

Please take a moment now to acquaint yourself with these instructions and the many features of your FPI Fireplace.



Note: Oversize faceplate is 44" x 28"

INFORMATION FOR MOBILE/MANUFACTURED HOMES AFTER FIRST SALE

This FPI product has been tested and listed by Warnock Hersey as a Direct Vent Wall Furnace to the following standards: CAN/CGA-2.17-M91, and ANSI Z21.88b-2003/CSA 2.33b-2003.

This Direct Vent System Appliance must be installed in accordance with the manufacturer's installation instructions and the Manufactured Home Construction and Safety Standard, Title 24 CFR, Part 3280, or the current Standard of Fire Safety Criteria for Manufactured Home Installations, Sites, and Communities ANSI/NFPA 501A, and with CAN/CSA Z240-MH Mobile Home Standard in Canada. See section "Manufactured Mobile Home Additional Requirements" for additional requirements.

This appliance installation must comply with the manufacturer's installation instructions and local codes, if any. In the absence of local codes follow the current National Fuel Gas Code, ANSI Z223.1 and the current National Electrical Code ANSI/NFPA 70 in the U.S.A., and the current CAN/CGA B149 Gas Installation Code and the current Canadian Electrical Code CSA C22.1 in Canada.

This FPI Mobile/Manufactured Home Listed appliance comes factory equipped with a means to secure the unit.

This FPI Mobile/Manufactured Home listed appliance comes equipped with a dedicated #8 ground lug to which an 18 gauge copper wire from the steel chassis ground must be attached.

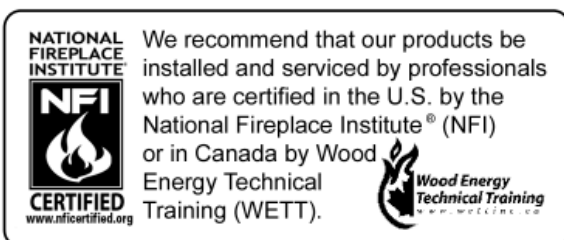


TABLE OF CONTENTS

SAFETY LABEL

Serial No. Decal	4
------------------------	---

REQUIREMENTS

MA Code - CO Detector (for the State of Massachusetts only).....	5
---	---

INSTALLATION

Important Message	6
For Your Safety.....	6
Specifications	6
Gas Pressure Testing	6
Installation Into A Solid Fuel Burning Fireplace Or Factory Built Fireplace	6
Before You Start	6
Installation Checklist.....	7
Manufactured Mobile Home Additional Requirements ..	7
Materials Required	7
Minimum Fireplace Dimensions	7
Clearances To Combustibles.....	7
Gas Connection	8
Venting	8
Flue Liner Installation	8
Gas Pipe Pressure Testing.....	9
Gas Insert Aeration System.....	9
Optional Brick Panel.....	9
Log Set Installation	10
Regency Faceplate & Trim Installation	14
Standard Flush Door	15
Optional Flush Trim	15
Optional Double Screen Doors.....	15
Flush Louvers.....	15
Bay Louvers	16
Optional Bay Door	16
Optional Bay Trim.....	16
Conversion Kit #514-969 from NG to LP	17
Full Screen Doors.....	20
Hampton® Cast Faceplate Installation	22
Hampton® Cast Grill Installation	23
The Kensington® Front Installation	24
The Kensington® 2-panel Door Installation.....	25
The Kensington® 3-panel Door Installation	26
Optional Wall Thermostat	26
Optional Remote Control	26
Final Check	26
Wiring Diagrams	27

OPERATING INSTRUCTIONS

Operating Instructions	29
Lighting Procedure	29
Shutdown Procedure	29
First Fire	29
Automatic Convection Fan Operation	29
Normal Operating Sounds Of Gas Appliances	29
Copy Of Lighting Instruction Plate.....	30

MAINTENANCE

Maintenance Instructions	30
General Vent Maintenance.....	31
Log Replacement	31
Glass Gasket.....	31
Gold-plated Trim	31
Door Glass	31
Fan Maintenance.....	32
Valve Replacement.....	33

PARTS LIST

Main Assembly	34
Burner Assembly & Log Set	35
Bay & Flush Front Assembly	36
Faceplate Assembly	37
Hampton® Cast - Faceplate Assembly.....	38




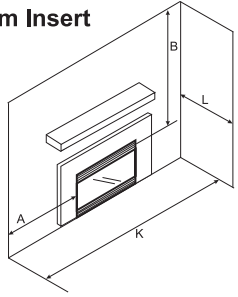
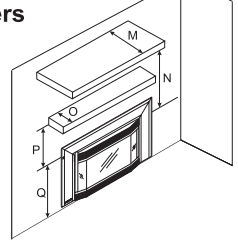
WARRANTY

The Warranty: Limited Lifetime.....	39
-------------------------------------	----

SAFETY LABEL

This is a copy of the labels that accompany each U32-5 Gas Insert. We have printed a copy of the contents here for your review. The safety label is located on a plate inside the base of the unit visible when the bottom louver is opened.

NOTE: FPI units are constantly being improved. Check the label on the unit and if there is a difference, the label on the unit is the correct one.

<i>Duplicate Serial number</i>		328																								
	DO NOT REMOVE THIS LABEL /NE PAS ENLEVER CETTE ETIQUETTE																									
	Listed: VENTED GAS FIREPLACE HEATER Tested to: CAN/CGA-2.17-M91, ANSI Z21.88b-2003 / CSA 2.33b-2003 Certified for / Certifiée pour: CANADA AND U.S.A. WH# 15946																									
		328 <i>Serial No. / No de serie</i>																								
 Model/Modelo: U32-NG5	NATURAL GAS FIREPLACE INSERT: MODEL U32-NG5 Factory Equipped For Altitude 0-4500ft. (0-1370m) <table border="0"> <tr> <td>Min. supply pressure</td> <td>5"</td> <td>WC</td> <td>(1.25 kpa)</td> </tr> <tr> <td>Low Setting Man. pressure</td> <td>1.1"</td> <td>WC</td> <td>(0.27 kpa)</td> </tr> <tr> <td>Max. Manifold pressure</td> <td>3.8"</td> <td>WC</td> <td>(0.95 kpa)</td> </tr> <tr> <td>Orifice size</td> <td>37</td> <td>DMS</td> <td></td> </tr> <tr> <td>Minimum input</td> <td>15,300</td> <td>Btu/h</td> <td>(4.48 kW)</td> </tr> <tr> <td>Maximum input</td> <td>30,000</td> <td>Btu/h</td> <td>(8.79 kW)</td> </tr> </table>	Min. supply pressure	5"	WC	(1.25 kpa)	Low Setting Man. pressure	1.1"	WC	(0.27 kpa)	Max. Manifold pressure	3.8"	WC	(0.95 kpa)	Orifice size	37	DMS		Minimum input	15,300	Btu/h	(4.48 kW)	Maximum input	30,000	Btu/h	(8.79 kW)	WARNING: This fireplace has been converted for use with a gas fireplace insert only and cannot be used for burning wood or solid fuels unless all original parts have been replaced, and the fireplace re-approved by the authority having jurisdiction. This vented gas fireplace heater is not for use with air filters. For installation in Solid Fuel Burning Fireplaces. This appliance must be installed in accordance with local codes, if any. If not, follow ANSI Z223.1 / CAN 1-B149 For Manufactured Home Installation: This Direct Vent System Appliance must be installed in accordance with the manufacturer's installation instructions and Manufactured Home Construction and Safety Standard Title 24 CFR, Part 3280, or the current Standard for Fire Safety Criteria for Manufactured Home Installation, Sites, and Communities ANSI/NFPA 501A, and with CAN/CSA Z240 MH Mobile Home Standard in Canada. Electrical Supply: 115 V, 56 WATTS, 60 Hz NOT FOR USE WITH SOLID FUELS
Min. supply pressure	5"	WC	(1.25 kpa)																							
Low Setting Man. pressure	1.1"	WC	(0.27 kpa)																							
Max. Manifold pressure	3.8"	WC	(0.95 kpa)																							
Orifice size	37	DMS																								
Minimum input	15,300	Btu/h	(4.48 kW)																							
Maximum input	30,000	Btu/h	(8.79 kW)																							
 Model/Modelo: U32-LP5	PROPANE GAS FIREPLACE INSERT: MODEL U32-LP5 Factory Equipped For Altitude 0-4500ft. (0-1370m) <table border="0"> <tr> <td>Min. supply pressure</td> <td>12"</td> <td>WC</td> <td>(2.99 kpa)</td> </tr> <tr> <td>Low Setting Man. pressure</td> <td>2.9"</td> <td>WC</td> <td>(0.72 kpa)</td> </tr> <tr> <td>Max. Manifold pressure</td> <td>11"</td> <td>WC</td> <td>(2.74 kpa)</td> </tr> <tr> <td>Orifice size</td> <td>52</td> <td>DMS</td> <td></td> </tr> <tr> <td>Minimum input</td> <td>15,000</td> <td>Btu/h</td> <td>(4.48 kW)</td> </tr> <tr> <td>Maximum input</td> <td>30,000</td> <td>Btu/h</td> <td>(8.79 kW)</td> </tr> </table>	Min. supply pressure	12"	WC	(2.99 kpa)	Low Setting Man. pressure	2.9"	WC	(0.72 kpa)	Max. Manifold pressure	11"	WC	(2.74 kpa)	Orifice size	52	DMS		Minimum input	15,000	Btu/h	(4.48 kW)	Maximum input	30,000	Btu/h	(8.79 kW)	
Min. supply pressure	12"	WC	(2.99 kpa)																							
Low Setting Man. pressure	2.9"	WC	(0.72 kpa)																							
Max. Manifold pressure	11"	WC	(2.74 kpa)																							
Orifice size	52	DMS																								
Minimum input	15,000	Btu/h	(4.48 kW)																							
Maximum input	30,000	Btu/h	(8.79 kW)																							
Minimum Clearances to Combustibles from Insert <table border="0"> <tr> <td>Side wall</td> <td>A</td> <td>10"</td> <td>(255mm)</td> </tr> <tr> <td>Ceiling</td> <td>B</td> <td>47-1/2"</td> <td>(1205mm)</td> </tr> <tr> <td>Alcove Width</td> <td>K</td> <td>48"</td> <td>(1220mm)</td> </tr> <tr> <td>Max. Alcove Depth</td> <td>L</td> <td>36"</td> <td>(915mm)</td> </tr> </table> 		Side wall	A	10"	(255mm)	Ceiling	B	47-1/2"	(1205mm)	Alcove Width	K	48"	(1220mm)	Max. Alcove Depth	L	36"	(915mm)	FPI Fireplace Products International Ltd., Delta BC, CANADA MADE IN CANADA / FABRIQUE AU CANADA								
Side wall	A	10"	(255mm)																							
Ceiling	B	47-1/2"	(1205mm)																							
Alcove Width	K	48"	(1220mm)																							
Max. Alcove Depth	L	36"	(915mm)																							
Mantel Clearances with Bay & Flush Louvers in Masonry Fireplace Installation <table border="0"> <tr> <td>Mantel width</td> <td>M</td> <td>12"</td> <td>(305mm)</td> </tr> <tr> <td>Mantel height</td> <td>N</td> <td>17"</td> <td>(432mm)</td> </tr> <tr> <td>Mantel width</td> <td>O</td> <td>3-1/2"</td> <td>(89mm)</td> </tr> <tr> <td>Mantel height</td> <td>P</td> <td>13"</td> <td>(330mm)</td> </tr> <tr> <td>Floor to top of unit</td> <td>Q</td> <td>20"</td> <td>(508mm)</td> </tr> </table> 		Mantel width	M	12"	(305mm)	Mantel height	N	17"	(432mm)	Mantel width	O	3-1/2"	(89mm)	Mantel height	P	13"	(330mm)	Floor to top of unit	Q	20"	(508mm)					
Mantel width	M	12"	(305mm)																							
Mantel height	N	17"	(432mm)																							
Mantel width	O	3-1/2"	(89mm)																							
Mantel height	P	13"	(330mm)																							
Floor to top of unit	Q	20"	(508mm)																							

918-678a

For the State of Massachusetts, installation and repair must be done by a plumber or gasfitter licensed in the Commonwealth of Massachusetts.

For the State of Massachusetts, flexible connectors shall not exceed 36 inches in length.

For the State of Massachusetts, the appliances individual manual shut-off must be a t-handle type valve.

The State of Massachusetts requires the installation of a carbon monoxide alarm in accordance with NFPA 720 and a CO alarm with battery back up in the same room where the gas appliance is installed.

MA Code - CO Detector (for the State of Massachusetts only)

5.08: Modifications to NFPA-54, Chapter 10

(2) Revise 10.8.3 by adding the following additional requirements:

(a) For all side wall horizontally vented gas fueled equipment installed in every dwelling, building or structure used in whole or in part for residential purposes, including those owned or operated by the Commonwealth and where the side wall exhaust vent termination is less than seven (7) feet above finished grade in the area of the venting, including but not limited to decks and porches, the following requirements shall be satisfied:

1. **INSTALLATION OF CARBON MONOXIDE DETECTORS.** At the time of installation of the side wall horizontal vented gas fueled equipment, the installing plumber or gasfitter shall observe that a hard wired carbon monoxide detector with an alarm and battery back-up is installed on the floor level where the gas equipment is to be installed. In addition, the installing plumber or gasfitter shall observe that a battery operated or hard wired carbon monoxide detector with an alarm is installed on each additional level of the dwelling, building or structure served by the side wall horizontal vented gas fueled equipment. It shall be the responsibility of the property owner to secure the services of qualified licensed professionals for the installation of hard wired carbon monoxide detectors

a. In the event that the side wall horizontally vented gas fueled equipment is installed in a crawl space or an attic, the hard wired carbon monoxide detector with alarm and battery back-up may be installed on the next adjacent floor level.

b. In the event that the requirements of this subdivision can not be met at the time of completion of installation, the owner shall have a period of thirty (30) days to comply with the above requirements; provided, however, that during said thirty (30) day period, a battery operated carbon monoxide detector with an alarm shall be installed.

2. **APPROVED CARBON MONOXIDE DETECTORS.** Each carbon monoxide detector as required in accordance with the above provisions shall comply with NFPA 720 and be ANSI/UL 2034 listed and IAS certified.

3. **SIGNAGE.** A metal or plastic identification plate shall be permanently mounted to the exterior of the building at a minimum height of eight (8) feet above grade directly in line with the exhaust vent terminal for the horizontally vented gas fueled heating appliance or equipment. The sign shall read, in print size no less than one-half (1/2) inch in size, "**GAS VENT DIRECTLY BELOW. KEEP CLEAR OF ALL OBSTRUCTIONS**".

4. **INSPECTION.** The state or local gas inspector of the side wall horizontally vented gas fueled equipment shall not approve the installation unless, upon inspection, the inspector observes carbon monoxide detectors and signage installed in accordance with the provisions of 248 CMR 5.08(2)(a)1 through 4.

(b) **EXEMPTIONS:** The following equipment is exempt from 248 CMR 5.08(2)(a)1 through 4:

1. The equipment listed in Chapter 10 entitled "Equipment Not Required To Be Vented" in the most current edition of NFPA 54 as adopted by the Board; and

2. Product Approved side wall horizontally vented gas fueled equipment installed in a room or structure separate from the dwelling, building or structure used in whole or in part for residential purposes.

(c) **MANUFACTURER REQUIREMENTS - GAS EQUIPMENT VENTING SYSTEM PROVIDED.** When the manufacturer of Product Approved side wall horizontally vented gas equipment provides a venting system design or venting system components with the equipment, the instructions provided by the manufacturer for installation of the equipment and the venting system shall include:

1. Detailed instructions for the installation of the venting system design or the venting system components; and

2. A complete parts list for the venting system design or venting system.

(d) **MANUFACTURER REQUIREMENTS - GAS EQUIPMENT VENTING SYSTEM NOT PROVIDED.** When the manufacturer of a Product Approved side wall horizontally vented gas fueled equipment does not provide the parts for venting the flue gases, but identifies "special venting systems", the following requirements shall be satisfied by the manufacturer:

1. The referenced "special venting system" instructions shall be included with the appliance or equipment installation instructions; and

2. The "special venting systems" shall be Product Approved by the Board, and the instructions for that system shall include a parts list and detailed installation instructions.

(e) A copy of all installation instructions for all Product Approved side wall horizontally vented gas fueled equipment, all venting instructions, all parts lists for venting instructions, and/or all venting design instructions shall remain with the appliance or equipment at the completion of the installation.

INSTALLATION

IMPORTANT MESSAGE SAVE THESE INSTRUCTIONS

The FPI Gas Insert must be installed in accordance with these instructions. Carefully read all the instructions in this manual first. Consult the building authority having jurisdiction to determine the need for a permit prior to starting the installation.

NOTE: Failure to follow the instructions could cause a malfunction of the heater which could result in death, serious bodily injury, and/or property damage. Failure to follow these instructions may also void your fire insurance and/or warranty.

FOR YOUR SAFETY

This appliance requires air for proper combustion. Always provide adequate combustion and ventilation air. Follow instructions and information in CAN/CGA B149 (in Canada) or the National Fuel Gas Code ANSI Z223.1 (in the USA), regarding requirements for combustion and ventilation air.

SPECIFICATIONS

At pressures over 1/2 psig, the pipe to the unit must be disconnected.

Gas Input Capacity:

Natural Gas	30,000	Btu/h
Propane	30,000	Btu/h

Min. Input

Natural Gas	15,300	Btu/h
Propane	15,000	Btu/h

Fuels: Approved for use with both natural gas, and propane. Approved as is for use at 0' to 4,500' (0-1370m).

Electrical: 120V A.C. system.

Circulation Fan: Variable speed, 110 CFM.

Log Set: Ceramic fibre, 7 per set.

Vent System: 3" co-linear aluminum flex.

The efficiency rating of the appliance is a product thermal efficiency rating determined under continuous operating conditions and was determined independent of any installed system.

GAS PRESSURE TESTING

The appliance must be isolated from the gas supply piping system by closing its individual manual shut off valve during any pressure testing of the gas supply piping system at test pressures equal to or less than 1/2 psig. (3.45 kPa).

INSTALLATION INTO A SOLID FUEL BURNING FIREPLACE OR FACTORY BUILT FIREPLACE

The U32-5 Gas Inserts have been tested and approved to be vented into any masonry fireplace or approved solid fuel burning factory built fireplace that will allow the insert to physically fit into the firebox. Refer to "Minimum Fireplace Dimensions" section for minimum fireplace clearances.

If the factory built fireplace* height is too low for your Insert, you may remove the smoke baffle plate, damper, refractory (firebricks), glass doors, screen rails, screen mesh and log grates from the factory built fireplace as long as these items are saved and are reinstalled in the event that the Insert is removed.

Smoke shelves, shields and baffles may be removed if attached by mechanical fasteners. If any part is removed it must not weaken the structural integrity of the factory built fireplace.

NOTE: Any alterations made to the listed solid fuel burning factory built fireplace may void the listing of the fireplace.

*Check with your local inspector before commencing with this installation.

Installer must mechanically attach the supplied label to the inside of the firebox of the fireplace into which the gas fireplace insert is installed.

"WARNING: This fireplace has been converted for use with a gas fireplace insert only and cannot be used for burning wood or solid fuels unless all original parts have been replaced, and the fireplace re-approved by the authority having jurisdiction."

BEFORE YOU START

Safe installation and operation of this appliance requires common sense, however, we are required by the Canadian Safety Standards and ANSI Standards to make you aware of the following:

General Safety Information

- 1) The appliance installation must conform with local codes or in the absence of local codes, with CAN/CGA B149 (in Canada) or the National Fuel Gas Code ANSI Z223.1 in the U.S.A. This appliance should be installed by a qualified gas fitter technician only.
- 2) **Installation and repair should be done by a qualified service person.**
- 3) The appliance should be inspected before use and at least annually by a professional service person. More frequent cleaning may be required due to excessive lint from carpeting, bedding material, animal hair, etc. It is imperative that control compartments, burners and circulating air passageways of the appliance be kept clean.
- 4) See general construction and assembly instructions. This appliance may only be installed in a vented, noncombustible fireplace.
- 5) This appliance is Listed for bedroom installations when used with a Listed Millivolt Thermostat. Some areas may have further requirements, check local codes before installation.
- 6) Always connect this insert to a vent system venting to the outside of the building envelope. Never vent to another room or inside a building. Make sure that the vent is properly sized and is of adequate height to provide the proper draft.
- 7) Inspect the venting system annually for blockage and any signs of deterioration.
- 8) Any glass removed for servicing must be replaced prior to operating the appliance.
- 9) To prevent injury, do not allow anyone who is unfamiliar with the operation to use the fireplace.
- 10) Due to high temperatures, the appliance should be located out of high traffic areas and away from furniture and draperies. Children and adults should be alerted to the hazards of high surface temperatures, especially the fireplace glass and gold trims, and should stay away to avoid burns or clothing ignition. Young children should be carefully supervised when they are in the same room as the appliance. Clothing or other flammable material should not be placed on or near the appliance.

Emissions from burning wood or gas could contain chemicals known to the State of California to cause cancer, birth defects or other reproductive harm.

INSTALLATION CHECKLIST

Before installing vent system ensure that the damper plate is open and secure to prevent the damper plate from falling down and crushing the liner.

The FPI Gas Insert is installed as listed.

- 1) Check all clearances to combustibles. (Refer to sections "Minimum Fireplace Dimensions and Clearances to Combustibles")
- 2) Make the gas connection. (Refer to section "Gas Connection")
- 3) Install the 3" flue liner to the sliding connector plate. (Refer to section "Flue Liner Installation.")
- 4) Slide the unit half way into the fireplace.
- 5) Pull the vent connector plate through the tapered brackets and fasten to the front plate. Refer to section "Flue Liner Installation."
- 6) Slide the unit fully into the fireplace.
- 7) Test gas pressure (Refer to section "Gas Pipe Pressure Testing"). Check aeration system (Refer to section "Gas Insert Aeration System").
- 8) Install standard and optional features. Refer to the following sections:

- a. Brick Panel
- b. Lot Set
- c. Faceplate & Trim
- d. Standard Flush Door
- e. Flush Trim
- f. Double Screen Door
- g. Flush Louvers
- h. Bay Louvers
- i. Bay Door
- j. Bay Trim
- k. Full Screen Doors
- l. Hampton Cast Faceplate
- m. Hampton Cast Grills
- n. The Kensington Front
- o. Wall Thermostat
- p. Remote Control

- 9) **Final check:** Before leaving this unit with the customer, the installer must ensure that the appliance is firing correctly. This includes:
 - a) Clocking the appliance to ensure the correct firing rate.
 - b) Adjusting the primary air, if required, to ensure that the flame does not carbon. See "Gas Insert Aeration System" section.
 - c) Ensuring that the appliance is venting correctly.

MANUFACTURED MOBILE HOME ADDITIONAL REQUIREMENTS

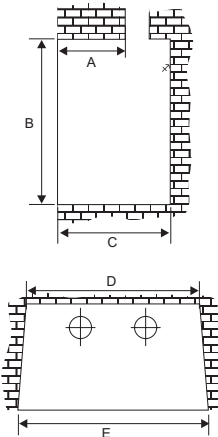
- 1) Ensure that structural members are not cut or weakened during installation.
- 2) Ensure proper grounding using the #8 ground lug provided.
- 3) Appliance must be anchored to the floor with the supplied anchoring methods.

MATERIALS REQUIRED

No electrical power supply is required for the gas control to operate. A 120 Volt AC power cord is hooked up to the fan. Plug the 3 wire cord into a suitable receptacle. **Do not cut the ground terminal off under any circumstances.** When connected with 120 volts, the appliance must be electrically grounded in accordance with local codes, current version of CSAC22.1 (in Canada) or in the absence of local codes, with the National Electrical Code ANSI/NFPA 70-1987.

MINIMUM FIREPLACE DIMENSIONS

The minimum fireplace clearances & dimensions for the FPI gas insert are shown in the following diagrams:



CLEARANCES TO COMBUSTIBLES

Minimum Clearances to Combustibles

	From Unit	
Sides	A	10" / 255 mm
Ceiling	B	47.5" / 1205 mm
Mantel	C	see Dia. 2 & 3
Max. Mantle Depth	G	12" / 305 mm (see Dia. 2)
Min. Alcove Width	K	48" / 1220 mm
Max. Alcove Depth	L	36" / 915 mm

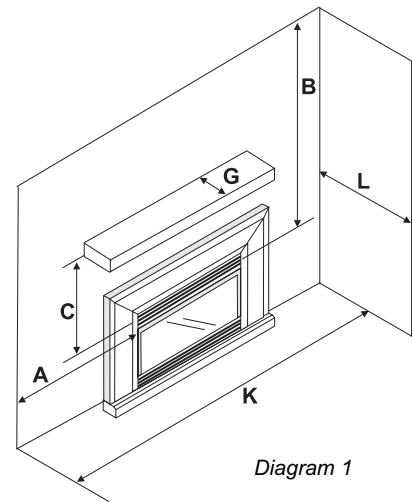


Diagram 1

Combustible Mantel Clearances with Bay & Flush Louvers in Masonry and Factory Built Fireplace Installation

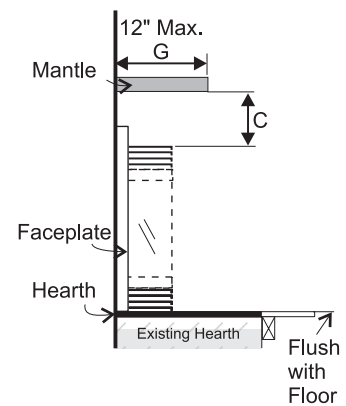


Diagram 2

	Max Lenthil Bar Depth A	Height B	Depth C	Width (rear) D	Width (front) E
Regency Countour Faceplate	9"	22"	14"	22-1/2"	26-1/2"
Regency Molded Faceplate	10"	22"	15"	22-1/2"	29"
Palace Front	10"	22"	15"	22-1/2"	29"
Hampton Cast Faceplate	9"	22"	14"	22-1/2"	26-1/2"
Full Screen Doors	9"	22"	14"	22-1/2"	26-1/2"

INSTALLATION

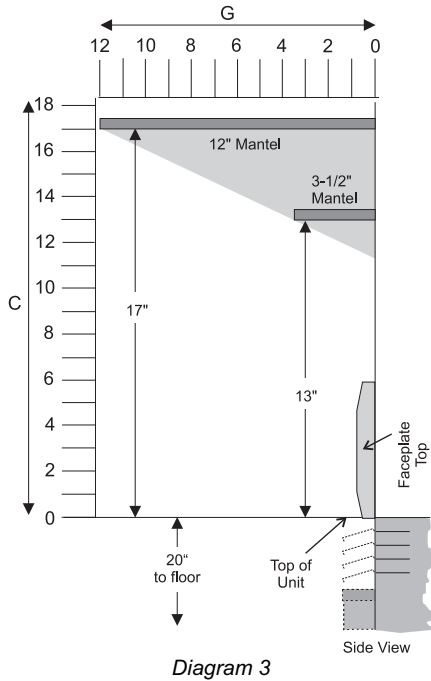


Diagram 3

Note: A noncombustible mantel may be installed at a lower height if the framing is made of metal studs covered with a noncombustible board.

VENTING

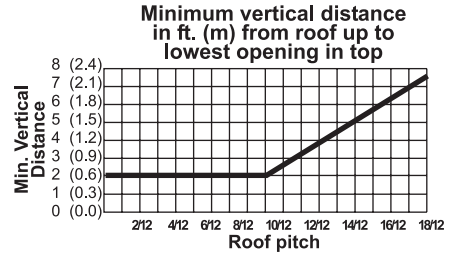
THE APPLIANCE MUST NOT BE CONNECTED TO A CHIMNEY FLUE SERVING A SEPARATE SOLID FUEL BURNING APPLIANCE.

This appliance is designed to be attached to two 3" (76mm) co-linear aluminium flex running the full length of the chimney. The flue length must be a minimum length of 8' (2.44m) and a maximum of 35' (10.7m). See chart below for minimum distances from roof. Periodically check that the vent is unrestricted.

Masonry chimneys may take various contours which the flexible liner will accommodate. However, **keep the flexible liner as straight as possible**, avoid unnecessary bending.

The Air Intake pipe must be attached to the inlet air collar of the termination cap.

The Air Intake pipe must be attached to the inlet air collar of the termination cap.



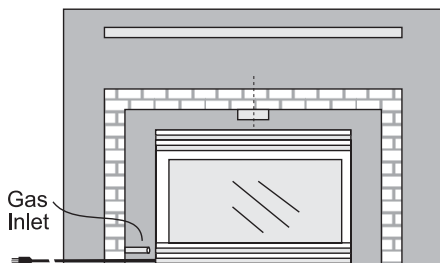
FLUE LINER INSTALLATION

- 1) Cut the flex liner as required.
- 2) **Mark the end of one liner to indicate Inlet.**
- 3) Connect the other end of the above liner to the inlet side of the termination adaptor, seal connection with high temperature silicone. Secure with gear clamp.
- 4) Connect the 2nd liner to the exhaust side of the adaptor, seal connection with high temperature silicone. Secure with gear clamp.

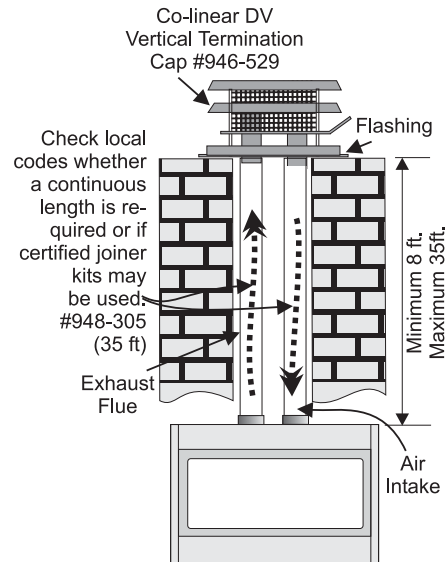
GAS CONNECTION

GAS CONNECTION WARNING: Only persons licensed to work with gas piping may make the necessary gas connections to this appliance.

- 1) If the appliance is to be installed into an existing chimney system, thoroughly clean the masonry or factory built fireplace.
- 2) The appliance is provided with an opening on the left hand side of the control compartment. A 3/8" NPT gas supply pipe must be brought near this inlet hole.
- 3) Locate the center point where the vent will pass through the chimney above the appliance. Move the appliance into the exact location where it is to be installed. Ensure that the Insert is level.



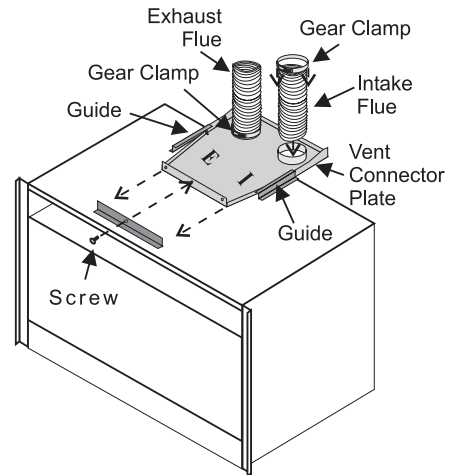
Part #	Description
948-305	3" Flex - 35 ft.
946-529	Co-linear DV Vertical Termination Cap



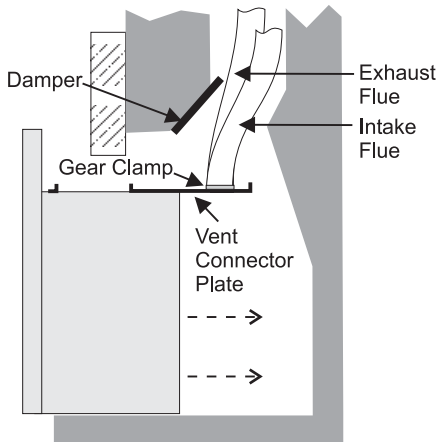
Alternate Approved Caps

980	Vertical Termination Cap
991	High Wind Cap
923GK	3" Co-linear Adaptor with flashing

In areas of consistently high winds, we recommend using the Simpson Dura-Vent System (923GK adaptor and 991 high-wind cap).

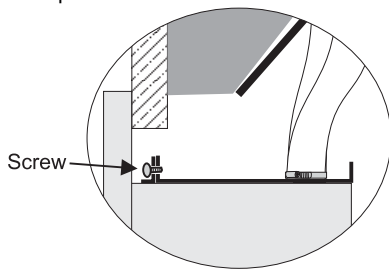


- 5) Install flashing.
- 6) Insert both liners into chimney, passing through the damper opening.
- 7) Install termination cap.
- 8) Connect the **marked end** of the liner to the inlet collar of the vent connector plate marked with an "I", seal connection with high temperature silicone. Secure with gear clamp.



Be careful not to damage thermal insulation when sliding on vent connector plate. This could cause blockage.

- Connect the 2nd liner to the exhaust collar marked with an "E", seal connection with high temperature silicone. Secure with gear clamp.



NOTES:

- Final gas connection should be made after unit is in place to avoid damage to line when pushing the unit into position.
- Mill-pac may be used instead of high temperature silicone and screws may be used instead of gear clamps at connections of liner to inlet and vent collars.

GAS PIPE PRESSURE TESTING

The appliance must be isolated from the gas supply piping system by closing its individual manual shut-off valve during any pressure testing of the gas supply piping system at test pressures equal to or less than 1/2 psig. (3.45 kPa). Disconnect piping from valve at pressures over 1/2 psig.

The manifold pressure is controlled by a regulator built into the gas control, and should be checked at the pressure test point.

Note: To properly check gas pressure, both inlet and manifold pressures should be checked using the valve pressure ports on the valve.

- Make sure the valve is in the "OFF" position.
- Loosen the "IN" and/or "OUT" pressure tap(s), turning counterclockwise with a 1/8" wide flat screwdriver.
- Attach manometer to "IN" and/or "OUT" pressure tap(s) using a 5/16" ID hose.
- Light the pilot and turn the valve to "ON" position.
- The pressure check should be carried out with the unit burning and the setting should be within the limits specified on the safety label.
- When finished reading manometer, turn off the gas valve, disconnect the hose and tighten the screw (clockwise) with a 1/8" flat screwdriver. **Note: Screw should be snug, but do not over tighten.**

GAS INSERT AERATION SYSTEM

The air shutter can be adjusted by moving the adjusting wire up or down. The wire is accessed through the bottom louver opening. Open the air shutter for a blue flame or close for a yellow flame. The burner aeration is factory set but may need adjusting due to either the local gas supply or altitude.

Minimum Air Shutter Opening:
3/16" Natural Gas
1/4" Propane



Aeration Adjustment Wire

PULL = Open
PUSH = Close

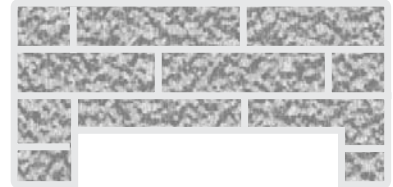
CAUTION: Carbon will be produced if air shutter is closed too much.

Note: any damage due to carboning resulting from improperly setting the aeration controls is NOT covered under warranty.

Note: Aeration Adjustment should only be performed by an authorized FPI Installer at the time of installation or service.

OPTIONAL BRICK PANEL

- Unwrap the brick pattern panels from the protective wrapping.
- Remove the glass front if it is already installed, see "Standard Flush Door" section.
- Put the rear brick panel flat against the back of the unit.



Rear Brick Panel

- Before installing the side brick panels, loosen the screws for the brick tabs enough so that you can slide the brick tabs on to the screws easily but that the tabs are secure. For the location of the side brick tab screws see diagram 1.

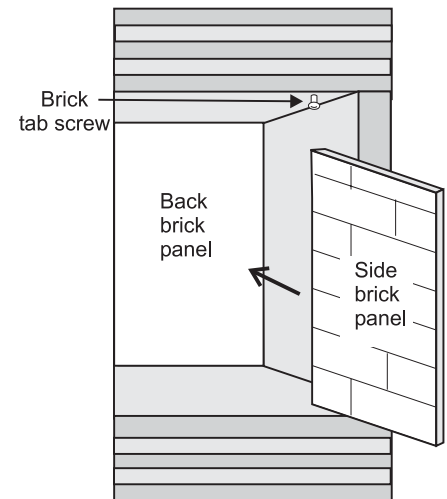


Diagram 1

- Remove the brick tabs and slide the side brick panels into position. See diagram 1. Install the brick tabs. See diagram 2.

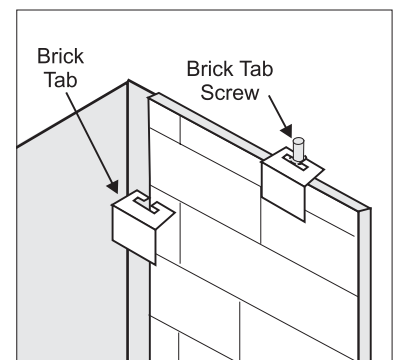


Diagram 2

INSTALLATION

LOG SET INSTALLATION

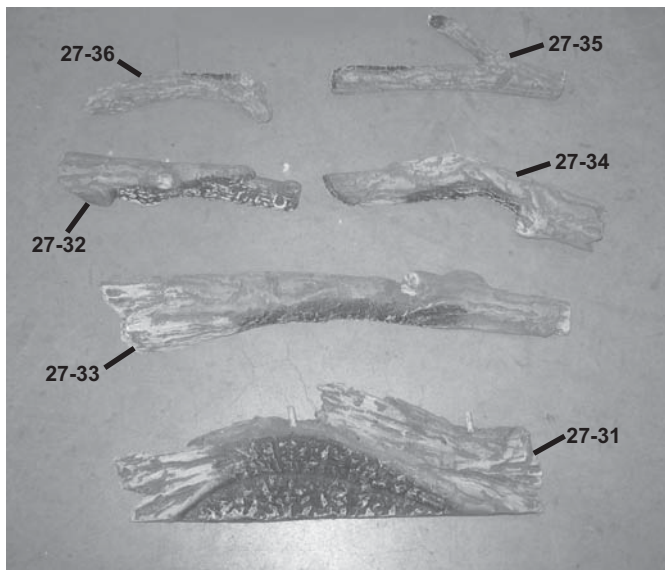
Read the instructions below carefully and refer to the images. Dangerous operating conditions may occur if the logs are not positioned in their correct locations. If the logs are broken do not use the unit until they are replaced. Broken logs can interfere with the pilot operation.

IMPORTANT

For LP units the Air Deflector **MUST** be installed prior to log installation. See "Conversion from NG to LP" section in manual for installation instructions.

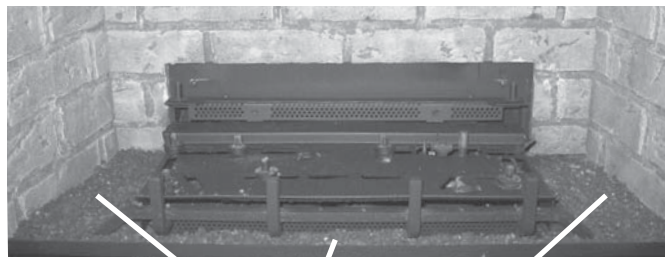
Log kit (Part # 425-930) contains the following pieces:

- a) 27-31 Rear Log
- b) 27-32 Middle Left Log
- c) 27-33 Front Log
- d) 27-34 Middle Right Log
- e) 27-35 Left Log
- f) 27-36 Right Log
- g) 902-154 Embers Lava
- h) 902-179 Vermiculite
- i) 902-153 Rock Wool
- j) 946-669 Platinum Embers (supplied with packaged manual)



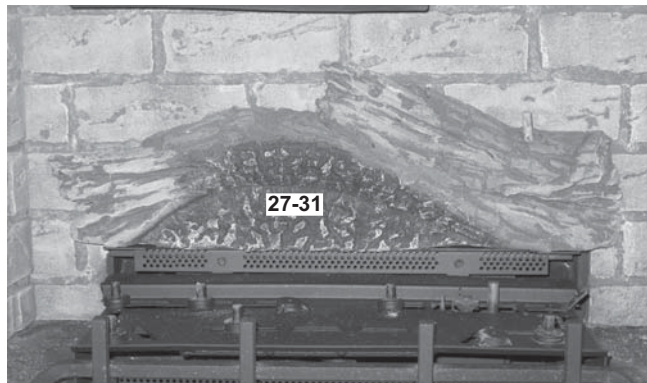
- 1) Carefully remove the logs from the box and unwrap them. The logs are fragile, handle with care - **do not force into position.**

- 2) Spread vermiculite around the exposed firebox base. Then take some embers and spread them over the vermiculite as shown.

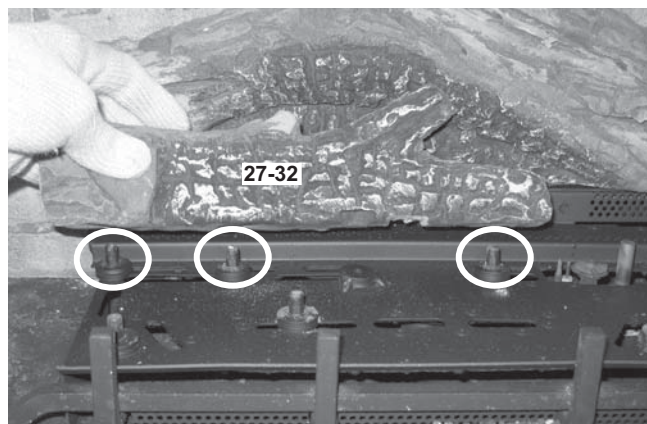


Vermiculite and Embers

- 3) Fit log 27-31 into the pins on the rear log tray.



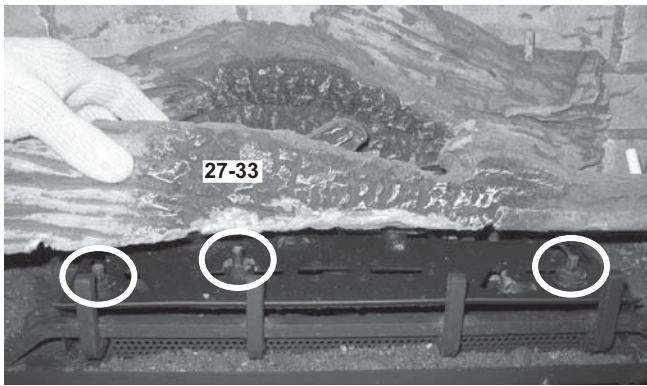
- 4) Fit log 27-32 into the pins on the middle left hand side of the burner.



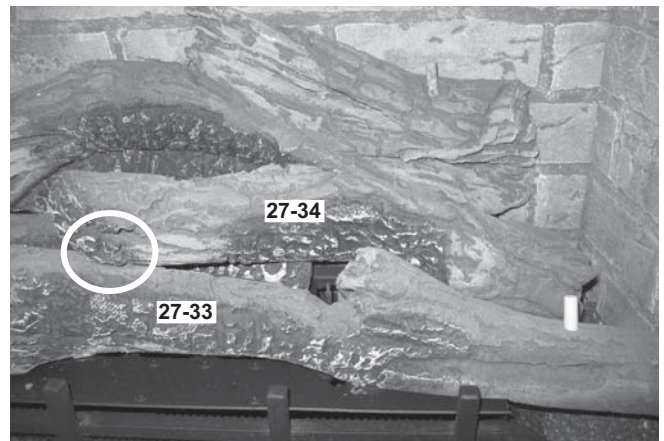
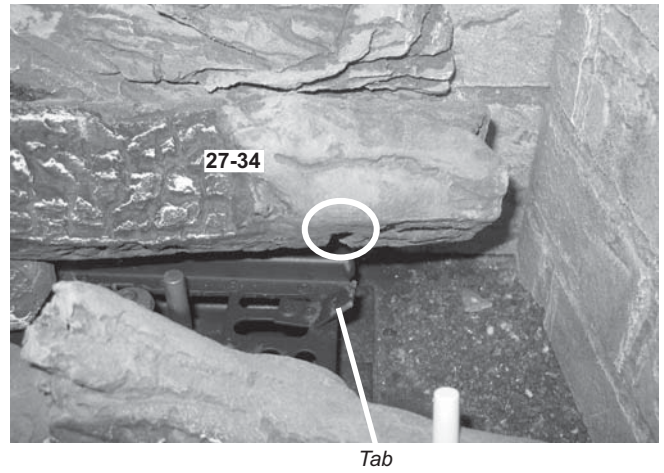
INSTALLATION



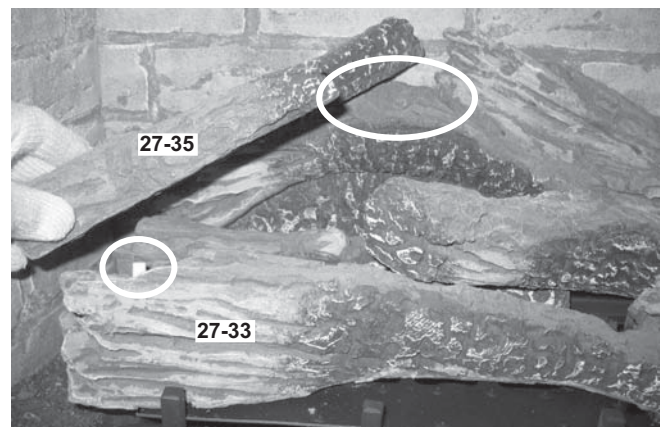
- 5) Fit log 27-33 into the pins at the front of the burner.



- 6) Fit the groove in log 27-34 into the tab on the right side of the burner. Rest the other end of log 27-34 on the notch in log 27-33.



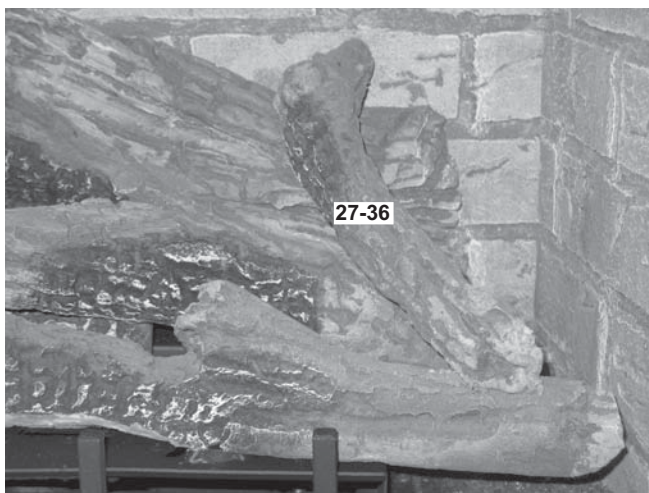
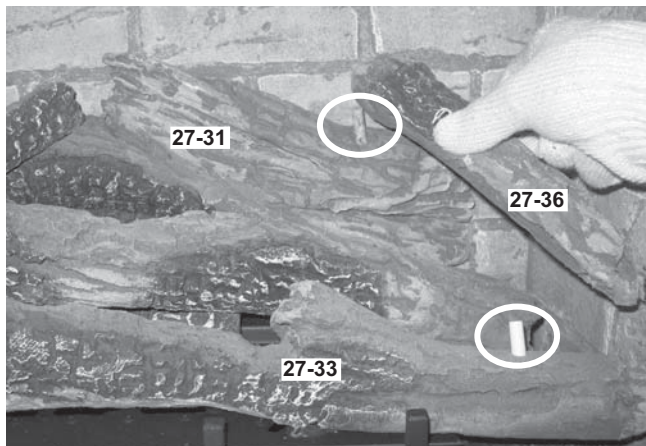
- 7) Fit the bottom end of log 27-35 into the pin in log 27-33 and rest the top end of log 27-35 on the notch in log 27-31.



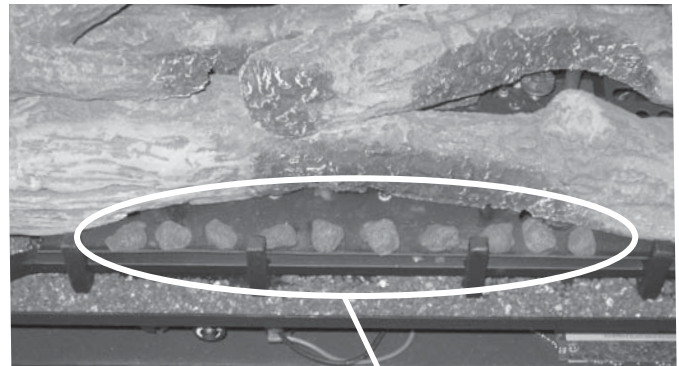
INSTALLATION



- 8) Fit log 27-36 into the pins on logs 27-33 and 27-31.

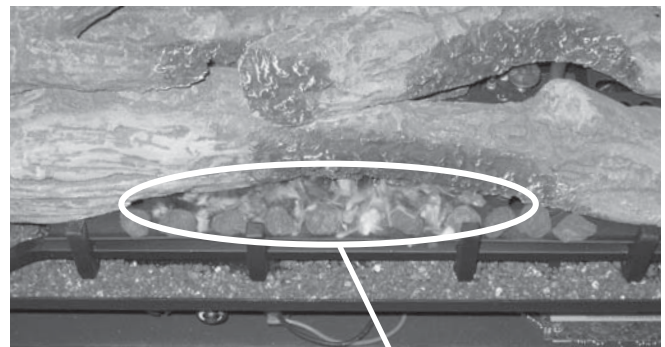


- 9) Place embers along the front of the burner as shown. Ensure not to cover any burner ports.



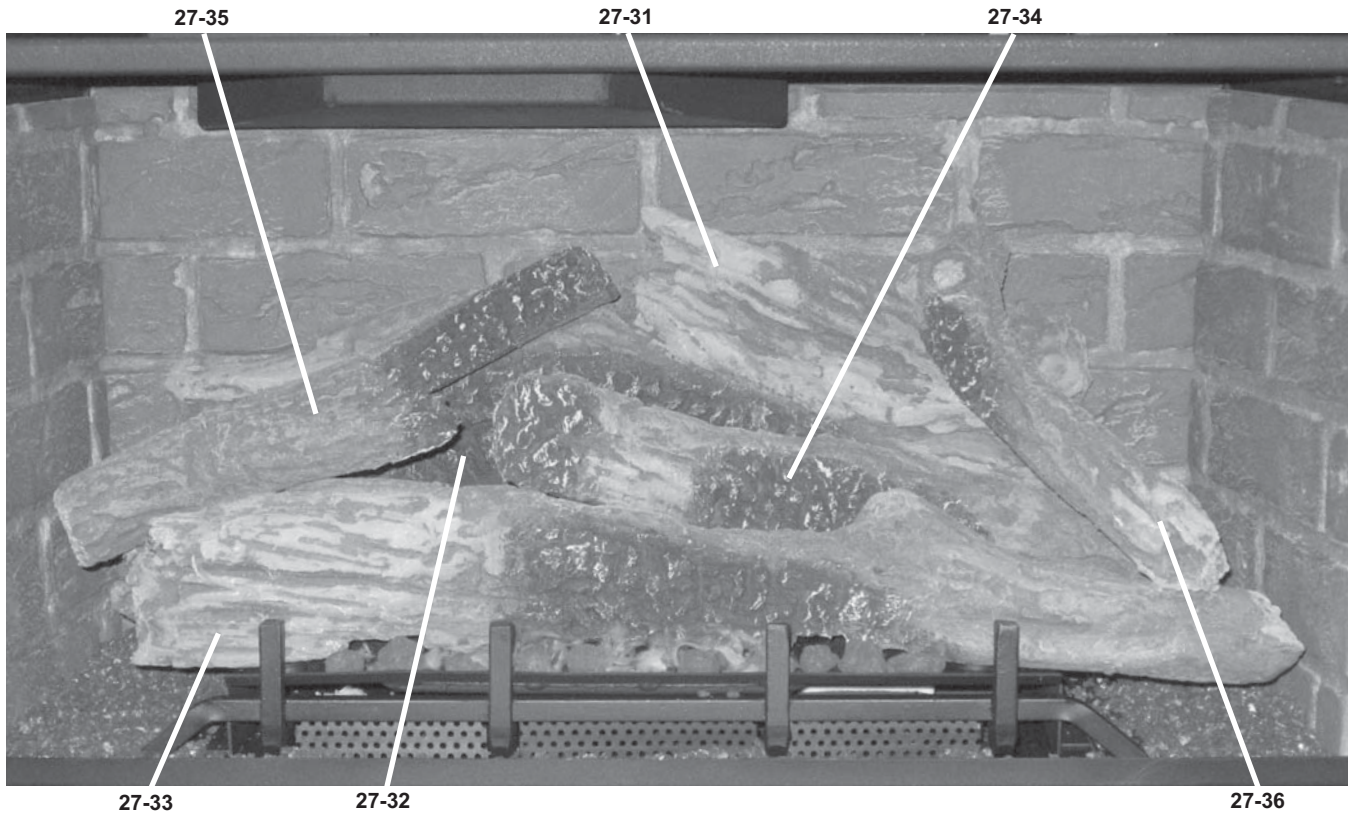
Embers

- 10) Separate platinum embers and place on the burner just in front of the logs as shown. Avoid stacking platinum embers.



Platinum Embers

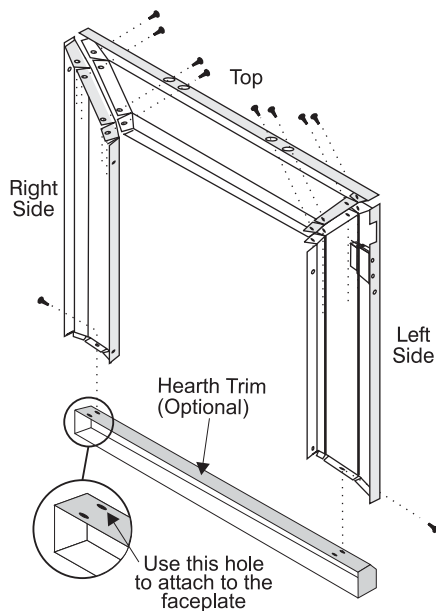
Completed Log Set Installation



INSTALLATION

REGENCY FACEPLATE & TRIM INSTALLATION

- 1) Lay the faceplate panels flat, face down on something soft so they don't scratch.
- 2) Take the top faceplate and align the holes in it with the holes in the side panels. Using the screws provided, attach from the top of the panel (the holes in the top panel are slightly larger than the holes in the side panel to facilitate easier installation). Diagram 1.

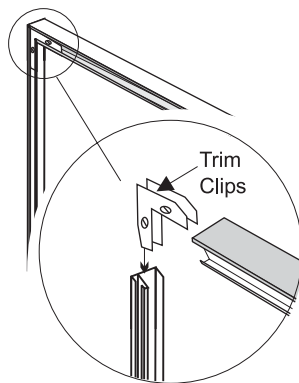


Rear View: Faceplate Assembly
Diagram 1

Hint: Don't tighten the screws down completely at this point, continue on with steps 3 and 4 and do a trial fit to the unit. Make any necessary adjustments and when it fits properly then tighten down the screws.

Hearth Trim Option: Hearth Trim is an option that can be used to finish off the installation when the bottom of the fireplace is higher than the hearth or to raise the fireplace. Attach the Hearth Trim to the bottom of the faceplate side panels with the screws provided. See Diagram 1.

- 3) Using the connectors provided, join the left side trim (with the ON/OFF switch) to the top trim. Diagram 2. Connect the right side trim to the top trim.
- 4) Place the trim on the assembled faceplate panels, aligning the wire connections from the switches with the notch on the left side panel.



Rear View: Trim Assembly
Diagram 2

- 5) Connect the fan switch wires by taking the black and red wires with the male ends (in the grey harness) and connect them with the wire connectors from the fan speed control.
- 6) Connect the ON/OFF switch wires by taking the black and red wires with the female ends and connect them to the ON/OFF switch.
- 7) Tuck the wires into the faceplate to keep them away from the insert using the clip provided. Attach the clip to the rear of the faceplate to ensure that the wires do not touch the side of the unit. Diagram 3.

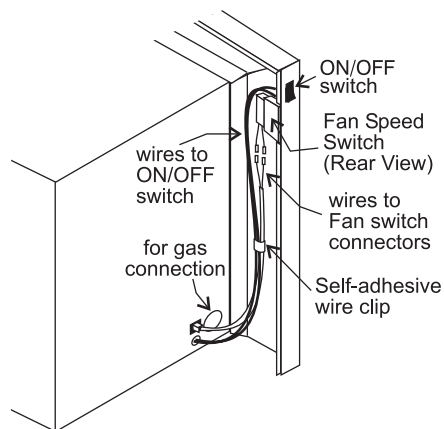


Diagram 3

- 8) The power cord should be run behind the faceplate panel.
- 9) Attach the brass trim to the faceplate by drilling a 1/8" hole through into the faceplate using the hole in the trim as a guide. Fasten the trim to the faceplate panels using the plated screws. Diagram 4.
- 10) Attach the faceplate panels to the insert body using the 4 remaining black screws. Diagram 5.

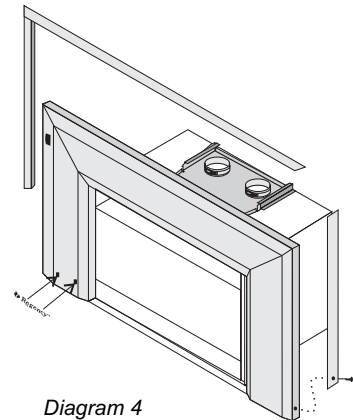


Diagram 4

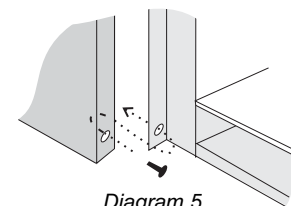


Diagram 5

- 11) Push the Regency® logo plate into the two holes in the bottom left corner of the faceplate.

STANDARD FLUSH DOOR

The standard flush door comes with a black frame. To install the frame, simply hook the top door flange onto the top of the unit and swing the door towards the unit, diagram 1. Be careful that the glass gasket does not roll up; there must be a gap between the gasket and the door lip to ensure that the door sits securely on the unit. Diagram 2.

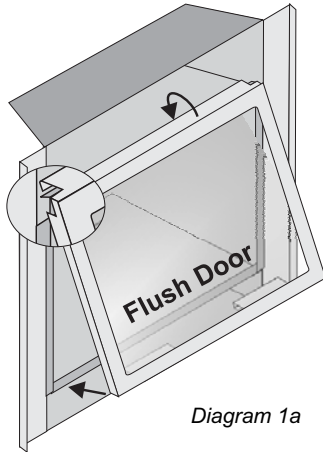


Diagram 1a

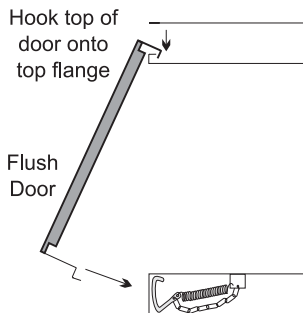


Diagram 1b

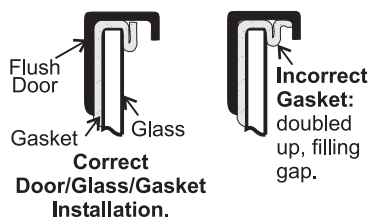


Diagram 2

Use the hook to pull the spring out until you can put the hook into the slot on the bottom door bracket. Repeat for 2nd spring. See diagram 3.

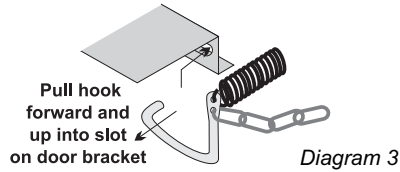
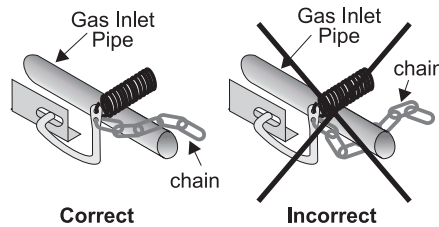


Diagram 3

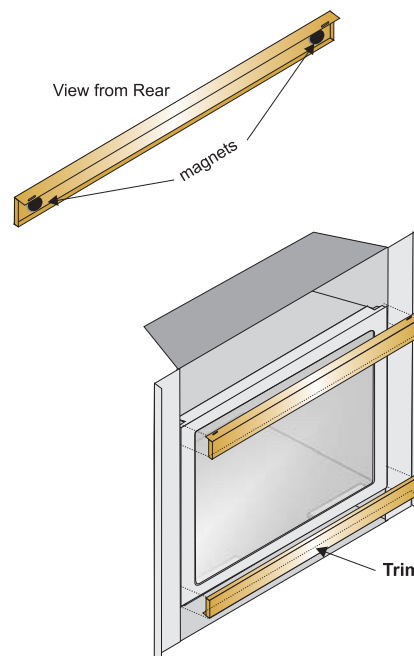
To remove the flush door, reverse the above steps.

NOTE: The chain must rest on **TOP** of the gas inlet pipe never under it.



OPTIONAL FLUSH TRIM

Attach 2 round magnets to the back of the top trim piece and the other 2 to the bottom trim piece, then attach trim to the top and bottom of Flush door.



OPTIONAL DOUBLE SCREEN DOORS

- 1) Pull out the top louver.
- 2) Center the screen door and hook over the flush door.

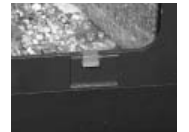


- 3) Open the screen door(s) and secure the screen door to the flush door front with 2 clips on the bottom left and right side.



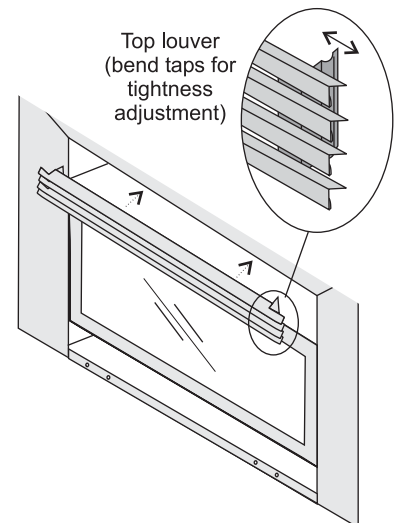
Clip locations

Clip installed on right side.



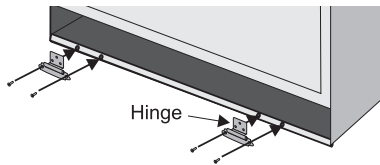
FLUSH LOUVERS

- 1) The top louver is held in place by friction fit, if the louver needs to be adjusted; bend the bracket out as shown in the diagram.

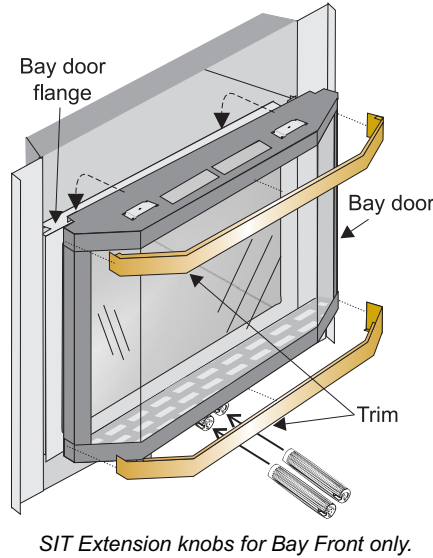
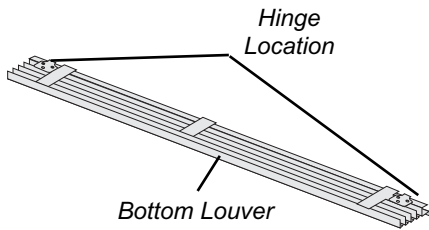


INSTALLATION

- 2) Install the Spring Hinges on the left and right side of the bottom of the Firebox using 2 screws per hinge.



- 3) Place the Bottom Louver near the hinge. Flip hinge over the Bottom Louver and secure using 3 screws.



Removing Bay Door

To remove **only the Bay Door** - use a screwdriver to unclip the Bay Bottom bracket from the flush door and then swing up and unhook from the top flush door flange.

To remove the **Bay Door & the Flush Front together**, pull the hook from the slot in the bottom door bracket under the unit (see Standard Flush Door instructions above). Then pull the Bay Door and Flush door out and lift off of the flange at the top of the unit.

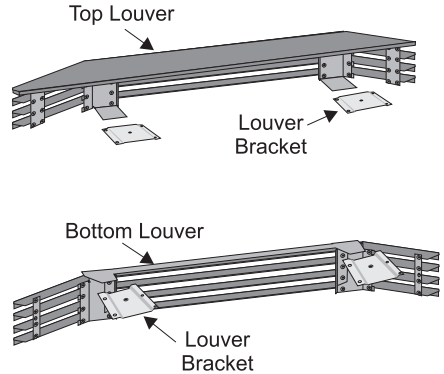
Note: If any maintenance etc. must be done in the firebox, first remove the Bay louvers and door.

OPTIONAL BAY TRIM

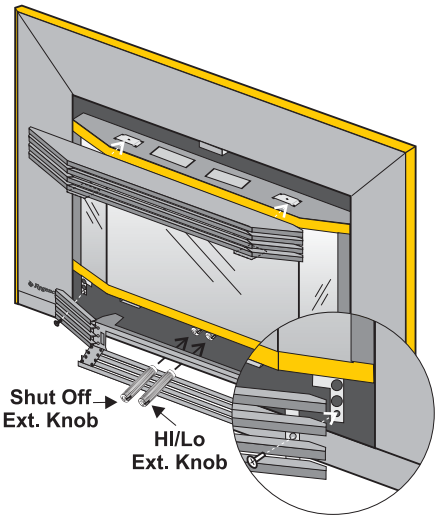
Attach the 4 supplied magnets, each to the back of the top and bottom trim pieces (space out evenly) and attach trim to the top and bottom of Bay door.

BAY LOUVERS

- 1) Install top louver by sliding the two bracket clips into the brackets located on top of the bay door. See below. The fitted louver leaves a small gap between faceplate bottom and louver top.



- 2) Install bottom louver by sliding the two bracket clips into the brackets located underneath the bay door. Secure with 1 screw into each Bottom Louver Mounting Bracket as per diagram below. Use the bottom hole in the bracket.

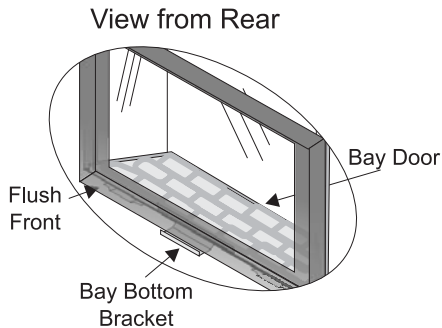


- 3) Slide the valve extension knobs onto the valve knobs. Match each extension knob with the corresponding valve knob. **Extension knobs are for Bay Front installations only.**

OPTIONAL BAY DOOR

The Bay louvers MUST be used with the Bay glass option.

The optional Bay door is an overlay on the flush front. The standard flush door and glass must remain on the unit. Hook the top of the bay door over the flush door flange and swing the bottom against the bottom flange of the flush door. Press down on the Bay Bottom bracket and push in until it clips behind the bottom of the flush front.



CONVERSION KIT #514-969 FROM NG TO LP

for P36D-1 / P36-4 / U32-5 / U37-1 using SIT 820 NOVA Gas Valve

**THIS CONVERSION MUST BE DONE BY A QUALIFIED GAS FITTER
IF IN DOUBT DO NOT DO THIS CONVERSION !!**

Each Kit contains one LPG Conversion Kit and one DC Sparker Kit.

Conversion Kit Contains:

Qty.	Part #	Description
1	904-390	Burner Orifice #52
1	904-529	5/32" Allen Key
1	918-590	Decal "Converted to LPG"
1	908-528	Red "LPG" label
1	910-037	LPG Injector (Pilot Orifice)
1	918-481	Instruction Sheet

DC Sparker Kit Contains:

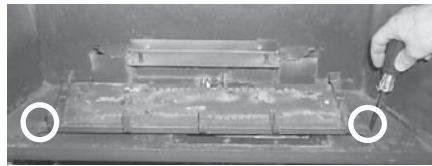
Qty.	Part #	Description
1	820-475	Bracket DC Sparker
1	820-476	Bracket DC Sparker
1	904-153	Washer #8 External Star
1	904-330	Nut 8-32 Hex
2	904-531	Bushing Split Plastic 0.500 in.
1	904-543	Screw 8-32 x 3/4 Pan Head
2	904-553	Screw #8 x 1/2 Type "B", Black Oxide
1	910-073	Spark Generator Battery Holder
1	910-074	Spark Generator Switch C/W Wire
1	910-078	Battery Size AA Energizer En91
2	910-199	Clip Wire Holder
1	910-903	Wire Fan To Power Cord Ground 30 in.
	904-781	Velcro Hook, Black
	904-782	Velcro Hook, Black

Installation of LPG Conversion Kit:

- 1) Shut off the gas supply.
- 2) Remove the louvers (and bay door if it is installed).
- 3) Open the flush door and remove the door.
- 4) Remove the logs and embers (if already installed).

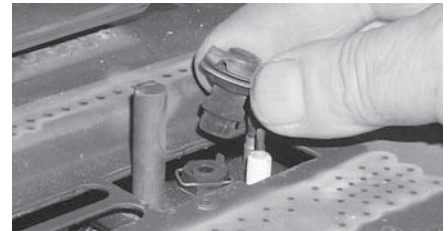
For P36D-1 / P36-4 Only:

- 5) Remove the 2 screws holding the Burner Assembly to the firebox base. Push the Burner Assembly to the left and lift out.

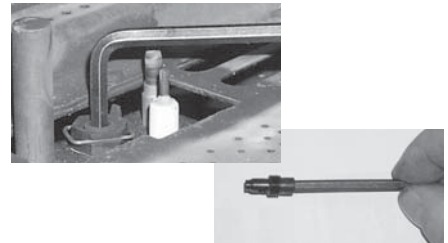


Remove the 2 screws, push Burner Assembly to the left and lift out.

- 6) Pull off the pilot cap to expose the pilot orifice.

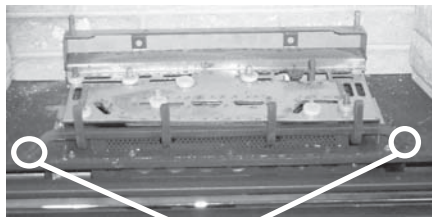


- 7) Unscrew the pilot orifice with the allen key; then replace with the LPG pilot orifice and the pilot cap, provided in the kit.



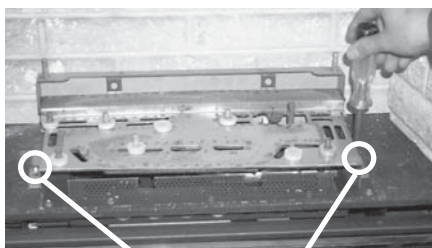
For U32-5 Only:

- 5a) Remove the grate by removing the screws on each side of the grate.



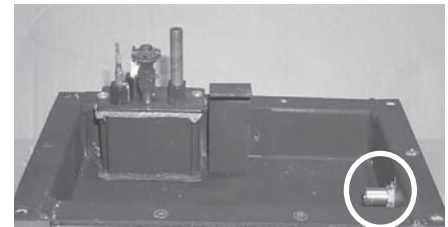
Remove the 2 screws holding the grate in position.

- 5b) Remove the Burner Tray by removing the screws on each side of the tray. Push the tray to the left and lift up.



Remove the 2 screws, push Burner Tray to the left, and lift off.

- 8) Remove burner orifice with a 1/2" wrench. Use another wrench to hold on to the elbow behind the orifice. Discard orifice.



Burner Orifice

IMPORTANT
Before re-installation of the burner (once the LP conversion is complete), the air deflector must be installed. See step 18a.

INSTALLATION

- 9) Reinstall new burner orifice LPG stamped #52 and tighten.
- 10) Turn control knob to the "OFF" position.

- 11) Remove the black protection cap by hand from the hi-low knob (Fig. 1).



Fig. 1



Fig. 2

- 12) Insert a 5/32" or 4mm Allen wrench into the hexagonal key-way of the screw (Fig. 2), rotate it counter-clockwise until it is free and extract it.

- 13) Check that the screw is clean and if necessary remove dirt.

- 14) Flip the screw (Fig. 3).

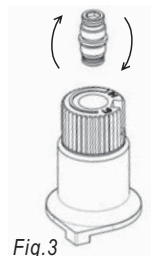


Fig. 3

- 15) Using the Allen wrench as shown in Fig. 4, rotate the screw clockwise until snug, do not overtighten.

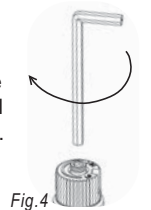


Fig. 4

WARNING!
Do not over tighten the screw.
Recommended to grip the wrench by the short side.

- 16) Verify that if the conversion is from NG to LPG, the screw must be re-assembled with the red o-ring visible (Fig. 5).

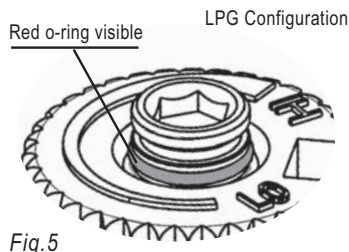


Fig. 5

- 17) Re-assemble the black protection cap (Fig. 6).

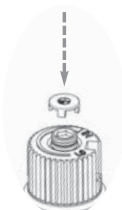
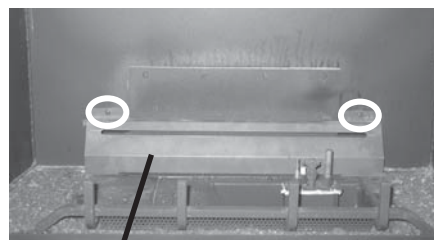


Fig. 6

- 18) Reverse steps 6 - 1.

For U32-5 Only:

- 18a) Install the air deflector to the back wall of the firebox using 2 screws.



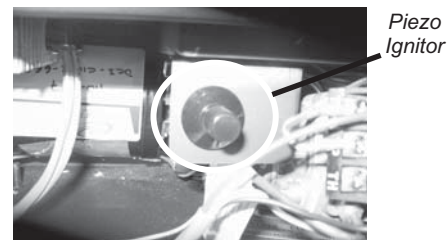
Air Deflector

WARNING!
Also check that the pilot and main burner injectors are appropriate for the gas type.

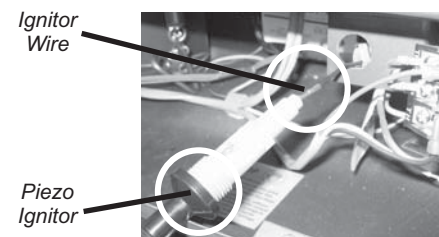
- 19) Attach the label "This unit has been converted to LPG" near or on top of the serial # decal.
- 20) Replace yellow "NG" label with red "LPG" label.

Installation of the DC Sparker:

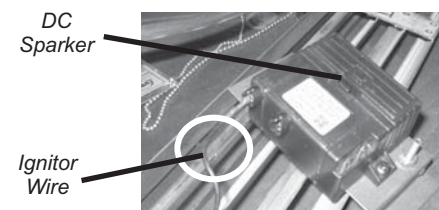
- 21) Locate the Piezo Ignitor situated at the side of valve.



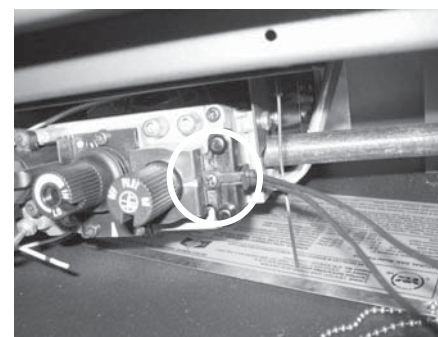
- 22) Remove the Piezo Ignitor by unscrewing the nut at the back of the mounting bracket.



- 23) Disconnect the ignitor wire from the Piezo Ignitor and connect it to the DC Sparker.



- 24) Connect the DC spark generator wires to the SIT Valve with the screw, which is provided in the kit.

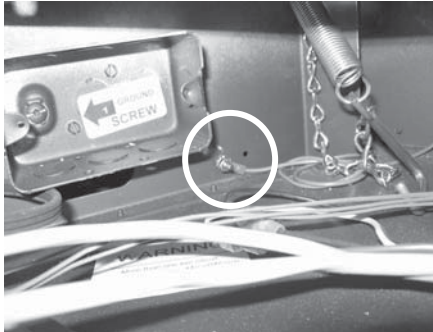


INSTALLATION

25) Locate the ground lug.

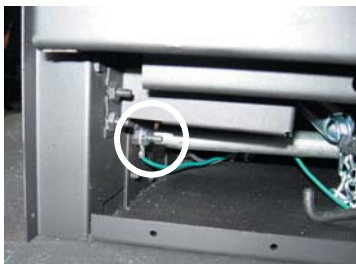
For P36D-1 / P36-4 Only:

25a) By the receptacle box, left of the unit.

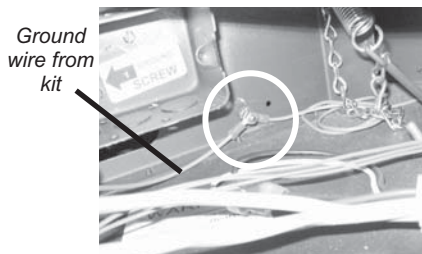


For U32-5 Only:

25b) Located on the left side of the unit.

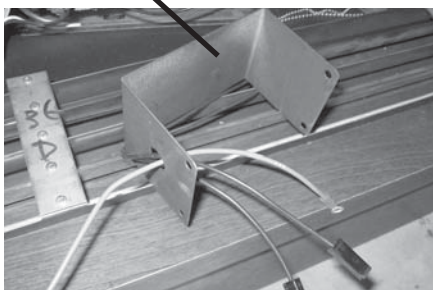


26) Connect one end of the supplied green ground wire to the lug with the nut and washer from the kit.

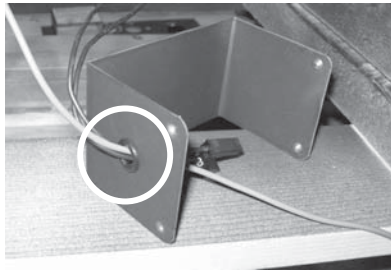


27) Run the other end of the ground wire and DC spark generator wires through the bushing on the heat shield.

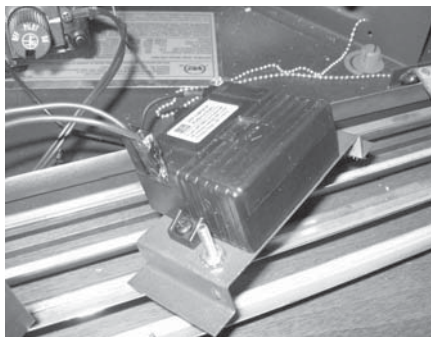
Heat Shield



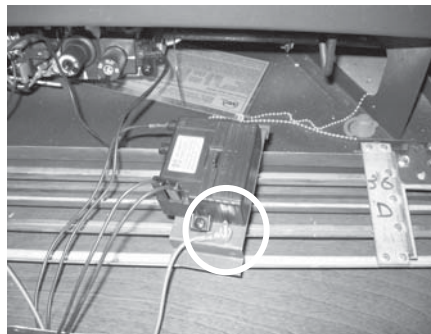
28) Install the 1/2" bushing to the heat shield.



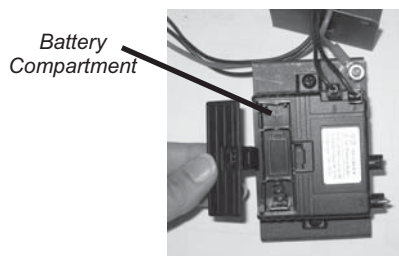
29) Plug the DC spark generator wires to the DC Sparker.



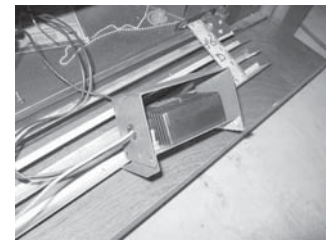
30) Connect the ground wire to the DC Sparker mounting bracket.



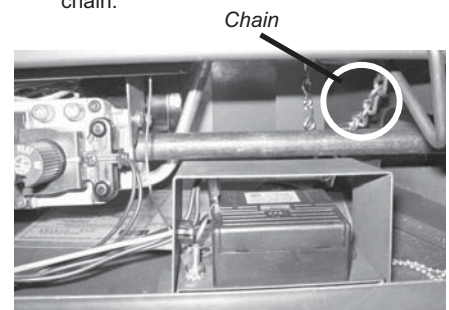
31) Install the supplied battery into the DC Sparker Box by opening the battery compartment.



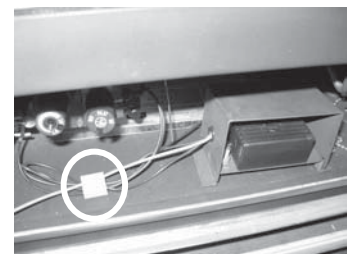
32) Mount the heat shield to the DC Sparker. Secure into place with the velcro, which is provided in the kit.



33) Find a location which is not too hot and is easy to reach for changing the battery. Note: It should be kept away from the chain.



34) Tie up the loose wires with the wire clip.



35) Check for gas leaks.

36) Check inlet and outlet pressures.

37) Check operation of flame control.

38) Check for proper flame appearance and glow on logs.

NOTE: The battery in the DC Sparker Box will need to be replaced annually.

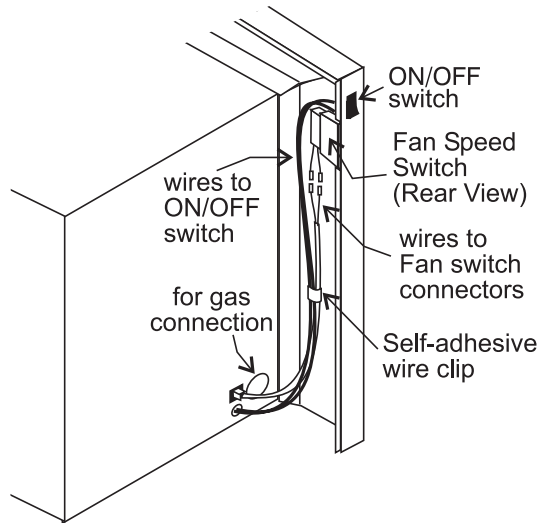
INSTALLATION

FULL SCREEN DOORS

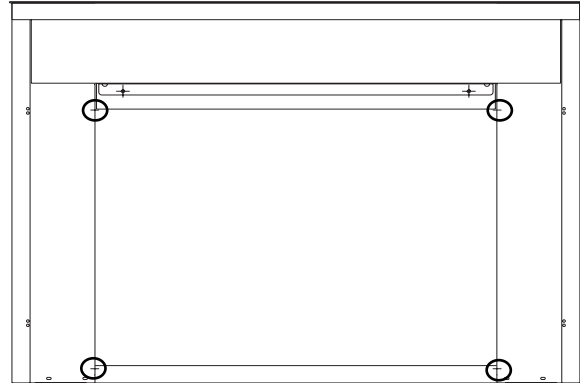
- 1) Hold the full screen door frame up against the unit in order to make the following wire connections.

Pull the ON/OFF connector wires from the firebox and connect them to the switch.

Connect the fan switch wires with the wire connectors from the fan speed control. Place clips over wires and tuck into side trim.

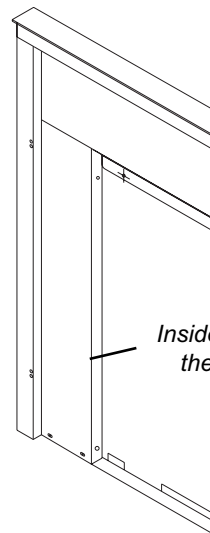
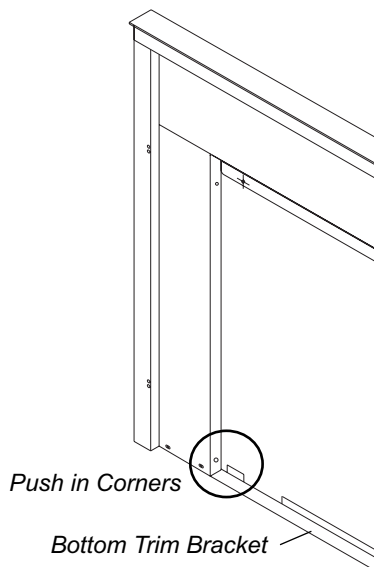


- 3) Completely secure the full screen door frame to the unit by securing 4 screws to the Left and Right Side Trims.



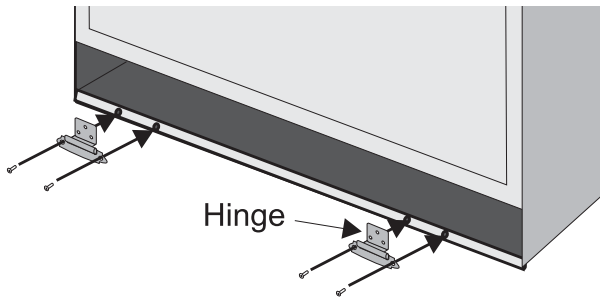
NOTE: When mounting the full screen door frame to the unit, the inside flange of the side trims are to fit over the inner side of the unit flange and **NOT** next to the outer side of the unit flange.

- 2) Lift unit up slightly and push down on the corners of the Bottom Trim Bracket and slide under unit. Unit should touch tabs on Bottom Trim Bracket.

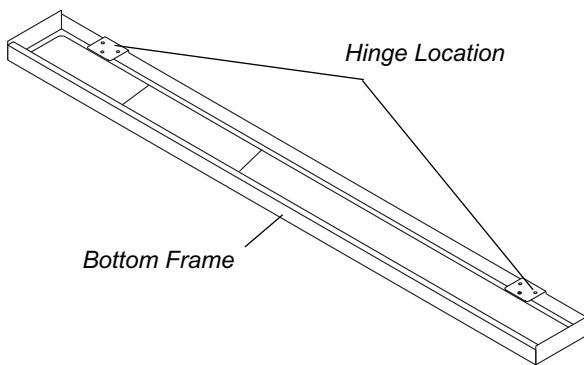


INSTALLATION

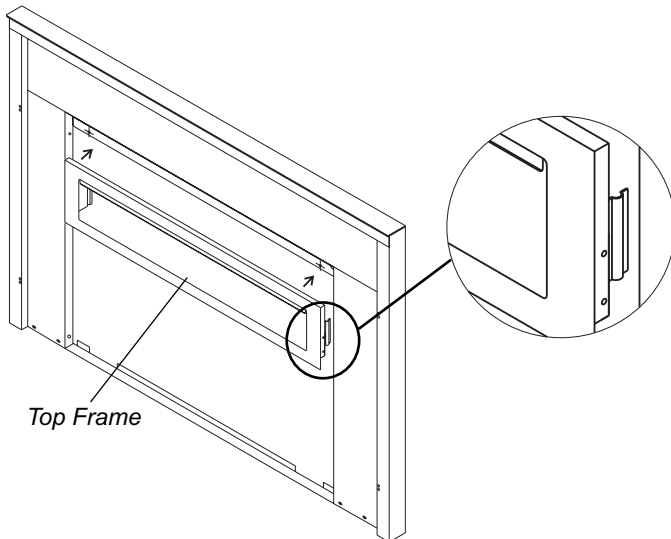
- 4) Install Spring Hinges on the Left and Right Side of the bottom of the firebox using 2 screws per hinge.



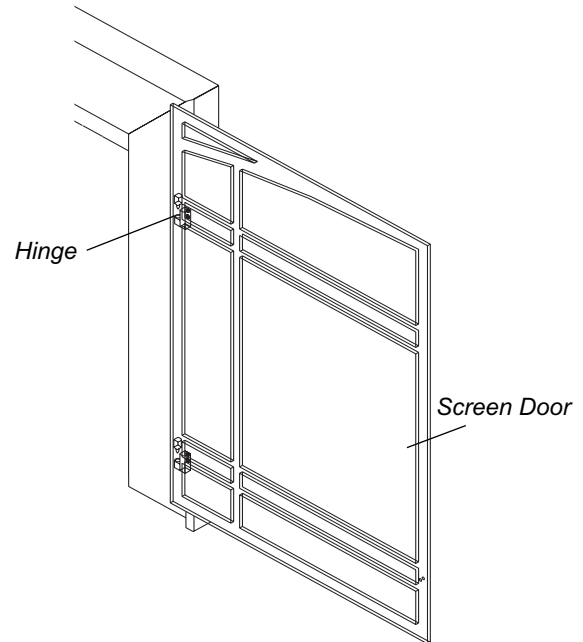
- 5) Place Bottom Frame near hinge. Flip hinge over Bottom Frame and secure with 3 screws.



- 6) The Top Frame is held in place by friction fit, if the frame needs to be adjusted; bend the bracket accordingly.



- 7) Install the Left and Right Side Screen Doors in the fully open position by placing over top of the hinges on the full screen door frame.



- 8) Close screen doors.

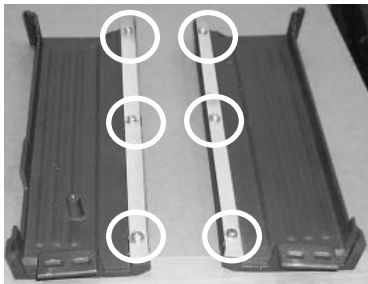
NOTE: If you find that the doors do not align properly, adjust the hinges on the door(s) by loosening them and adjust accordingly.

INSTALLATION

HAMPTON® CAST FACEPLATE INSTALLATION

- 1) Lay the faceplate panels flat, face down on something soft so they don't scratch.
- 2) Attach the side filler brackets to the left and right sides using 3 screws and washer per side.

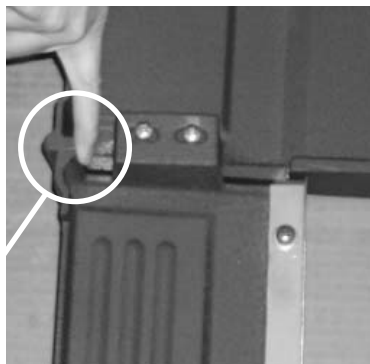
NOTE: There are filler brackets specifically for each side. The way to differentiate this is that on the side of the brackets there are 2 mounting holes. The side where there is a 7/16" gap from the top of the bracket to the mounting hole, must face the top.



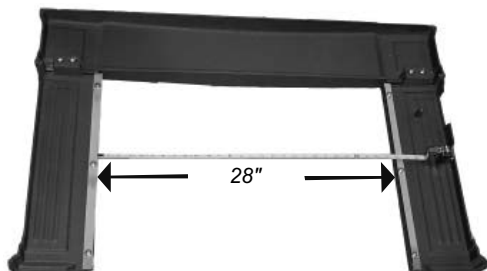
- 3) Attach the right and left cast sides to the top using 2 screws per side.



Ensure that the top and sides are aligned.



- 4) Use a measuring tape to ensure that the distance between the left and right side pieces is 28" (711mm).



- 5) Connect the ON/OFF switch wires by taking the black and red wires with the blue female ends thru the hole provided and connecting them to the ON/OFF switch.



- 6) Connect the fan switch wires by taking the black and red wires with the male ends (in the grey harness) thru the hole provided and connect them with the wire connectors from the fan speed control.

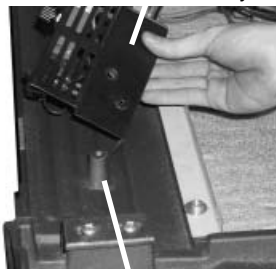


- 7) Insert wires into the strain relief and install into switch box assembly.



- 8) Place the switch box assembly over the boss on the rear left side piece and secure with one screw.

Switch Box Assembly



Boss on rear left side piece.



- 9) Tuck the wires into the faceplate to keep them away from the insert using the clip provided. Attach the clip to the rear of the faceplate to ensure that the wires do not touch the side of the unit.



- 10) The power cord should be run behind the faceplate panel.

- 11) Mount the cast faceplate panels onto the insert body, sliding the side filler brackets into the space between the glass and the firebox. Secure using the 4 remaining black screws, 2 per side.

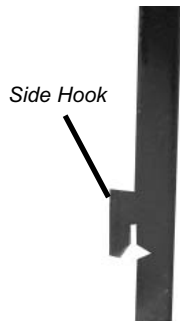


Slide side filler bracket into gap between glass and fire box.



U31 ONLY:

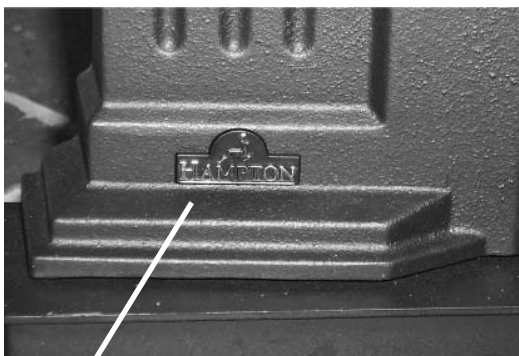
Install the glass trim by inserting the side hooks on the glass trim into the 4 slots between the faceplate and the glass. Push the glass trim down firmly with both hands to lock into place.



Slots



- 12) To put on the Hampton® logo, peel the sticker from the back of the logo and place it centered on the bottom left hand corner of the faceplate.



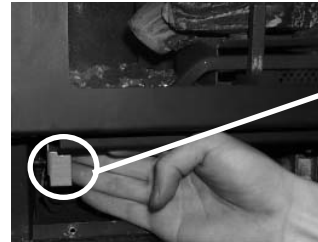
Hampton® Logo

Left Side Faceplate

HAMPTON® CAST GRILL INSTALLATION

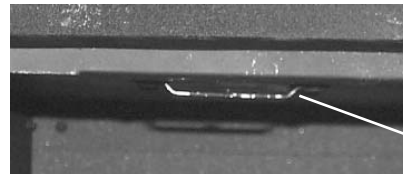
Before the grills are installed, a grill stop bracket needs to be put in place.

- 1) The U32 grill stop bracket is installed in the bottom left corner just under the firebox as shown below.

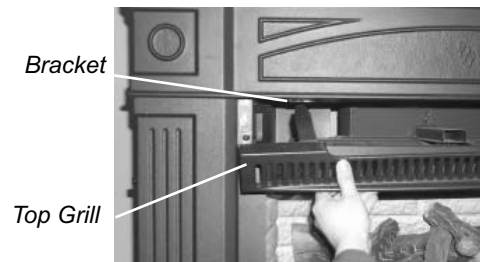


U32 Grill Stop Bracket

- 2) Place top grill into brackets located inside top of firebox as shown.



Bracket inside top of firebox.

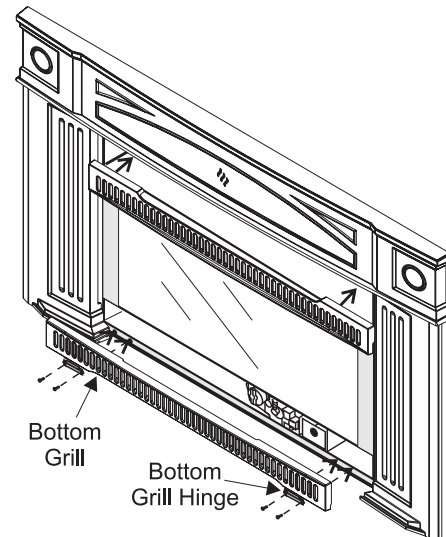


Bracket

Top Grill

Note: The top grill should be placed with the curved cut-out facing up.

- 3) The bottom grill, shown in the diagram below, has 2 hinges that are attached to the lip on the bottom of the unit. Secure using 2 screws per hinge.



Bottom Grill

Bottom Grill Hinge

INSTALLATION

THE KENSINGTON® FRONT INSTALLATION

IMPORTANT: Please use the gloves provided when handling the Kensington® Front to avoid fingerprints.

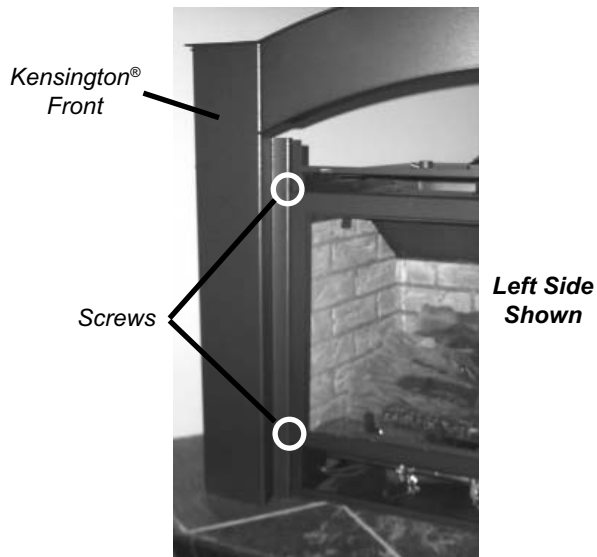
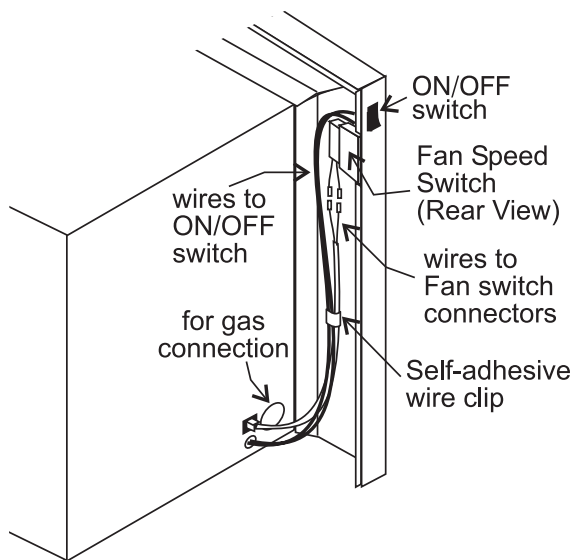
- 1) Place the Kensington® Front up against the unit, but do not secure. Make the following wire connections:
- 2) Mount the Kensington® Front onto the firebox by securing in place using 4 screws, 2 per side.

Connect the fan switch wires by taking the black and red wires with the male ends (in the grey harness) and connect them with the wire connectors from the fan speed control.

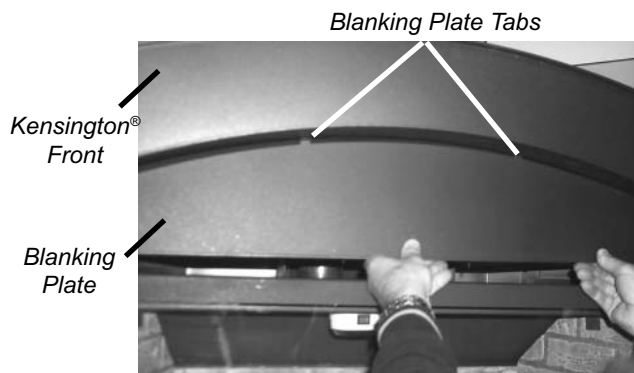
Connect the ON/OFF switch wires by taking the black and red wires with the female ends and connect them to the ON/OFF switch.

Tuck the wires into the faceplate to keep them away from the insert using the clip provided. Attach the clip to the rear of the faceplate to ensure that the wires do not touch the side of the unit.

The power cord should be run behind the faceplate panel.

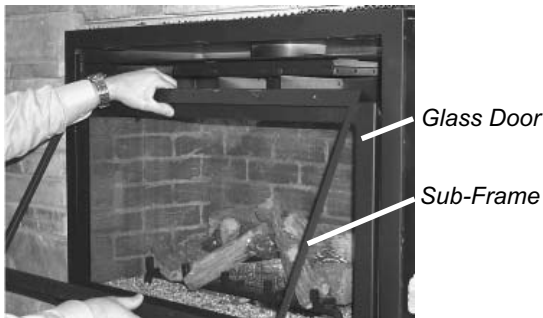


- 3) Slide the Tabs on the Blanking Plate into the slots located on Front and secure using 2 screws.



THE KENSINGTON® 2-PANEL DOOR INSTALLATION

- 1) Install the Sub-Frame by hooking the top flange onto the top of the Glass Door and swing the Sub-Frame towards the unit. Pull out the hooks which already secure the Glass Door and place them thru the holes in the bottom of the Sub-Frame to secure both the Glass Door and Sub-Frame in place together.

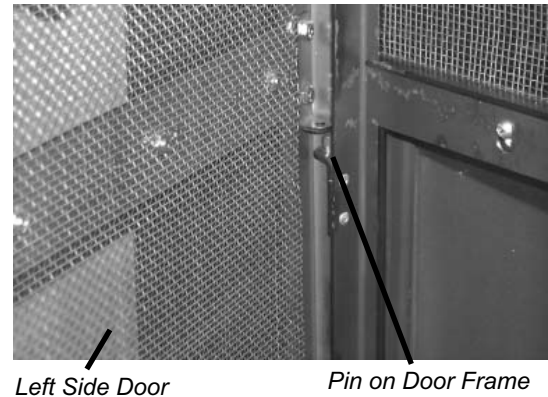


- 2) Mount the 2-panel Door Frame to the flange on Sub-Frame, ensuring to line up holes. Secure using the 6 screws provided.



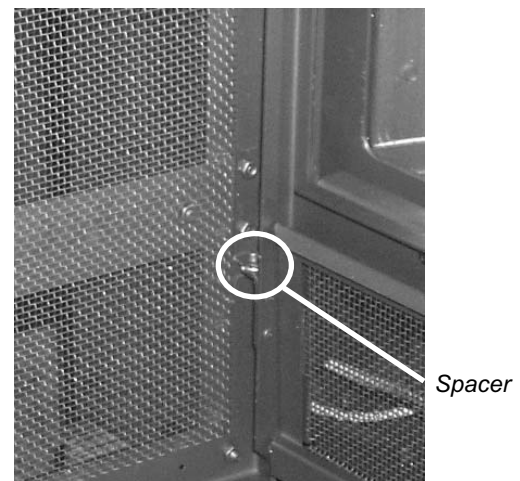
- 3) Hook the Left Side Screen Door to the Door Frame by placing the door hinges (top & bottom) over the pins on the Door Frame. Repeat for Right Side Screen Door.

Note: It will be easier to put the Screen Door in place by starting with the bottom hinge.



Note: If you find that the Left or Right Side Screen Door is lower than the other, use the spacer provided to help align the Doors.

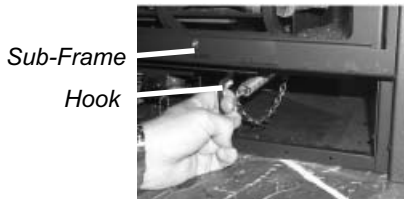
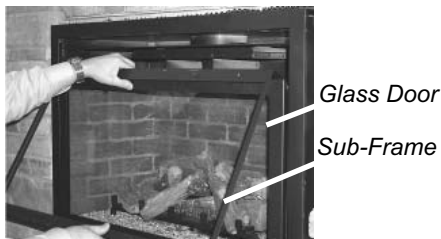
The spacer is to be placed over the bottom pin before installing the Screen Door.



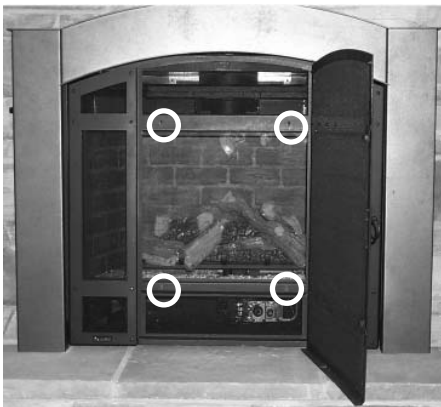
INSTALLATION

THE KENSINGTON® 3-panel Door Installation

- 1) Install the Sub-Frame by hooking the top flange onto the top of the Glass Door and swing the Sub-Frame towards the unit. Pull out the hooks which already secure the Glass Door and place them thru the holes in the bottom of the Sub-Frame to secure both the Glass Door and Sub-Frame in place together.



- 2) Mount the 3-panel Screen Door / Frame Assembly to the flange on Sub-Frame, ensuring to line-up holes. Secure using the 4 screws provided.



OPTIONAL WALL THERMOSTAT

A wall thermostat may be installed if desired, follow the wiring diagram below. FPI offers an optional programmable thermostat but any 250-750 millivolt rated non-anticipator type thermostat that is CSA, ULC or UL approved may be used.

Thermostat Wire Table

Recommended Maximum Lead Length (Two-Wire) When Using Wall Thermostat (CP-2 System)	
Wire Size	Max. Length
14 GA.	50 Ft.
16 GA.	32 Ft.
18 GA.	20 Ft.
20 GA.	12 Ft.
22 GA.	9 Ft.

CAUTION
Do not connect the millivolt wall
thermostat wires
to the 120V wires.

OPTIONAL REMOTE CONTROL

Use the FPI Remote Control Kit approved for this unit. Use of other systems may void your warranty.

The remote control kit comes with a hand held transmitter, a receiver and a wall mounting plate.

- 1) Choose a convenient location on the wall to install the receiver and the receptacle box (protection from extreme heat is very important). Run wires from the fireplace to that location. Use Thermostat Wire Table.
- 2) Connect the wires as per the wiring diagrams below.

CAUTION
Do not connect the millivolt
remote control wires for
to the 120V wires.

- 3) Install 3AAA alkaline batteries in transmitter and 4 AA alkaline batteries in the receiver. Install the receiver and its cover in the wall. Switch the remote receiver to "remote" mode. The remote control is now ready for operation.

FINAL CHECK

Before leaving this unit with the customer, the installer must ensure that the appliance is firing correctly. This includes:

- 1) Locking the appliance to ensure the correct firing rate (rate noted on label) at 15 minutes.
- 2) If required, adjusting the primary air to ensure that the flame does not carbon. First allow the unit to burn for 15 min. to stabilize.
- 3) Check for proper draft.

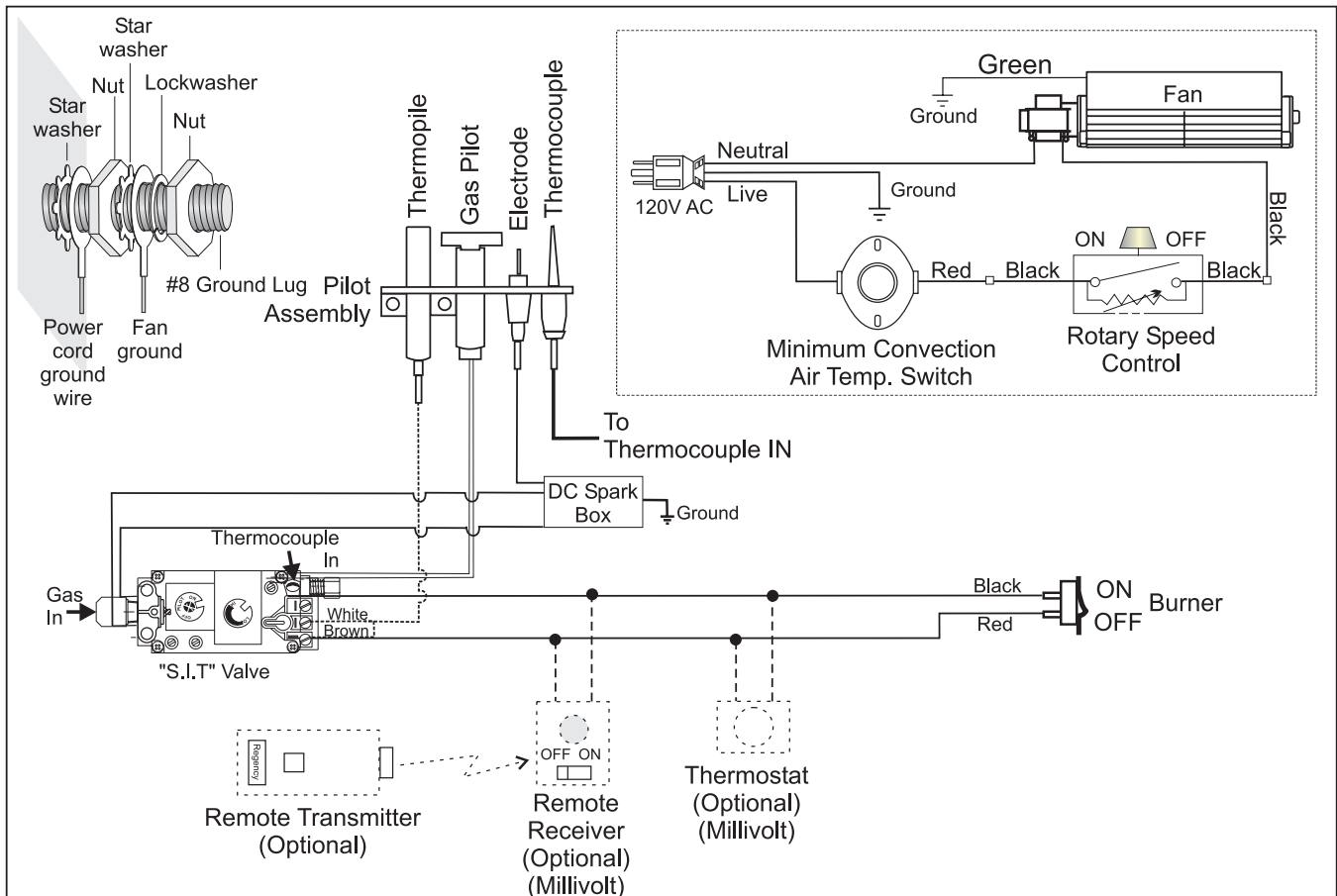
CAUTION

Any alteration to the product that causes sooting or carboning that results in damage to the exterior facia is not the responsibility of the manufacturer.

INSTALLATION

For PROPANE Units and Units Equipped with DC Spark Boxes*

*For installation of the DC Spark Box refer to the LP Conversion instructions in this manual.



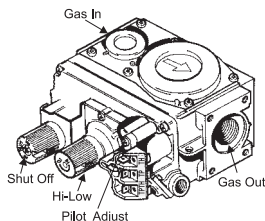
OPERATING INSTRUCTIONS

OPERATING INSTRUCTIONS

Before operating this appliance, proceed through the following check list.

- 1) Read and understand these Instructions before operating this appliance.
- 2) Check to see that all wiring is correct and enclosed to prevent possible shock.
- 3) Check to ensure there are no gas leaks.
- 4) Make sure the glass door is in place. Never operate the appliance with the door glass removed.
- 5) Verify that all venting and the cap is unobstructed.
- 6) Verify log placement. If the pilot cannot be seen when lighting the unit - the logs or the embers have been incorrectly positioned.
- 7) The unit should never be turned off and on again without a minimum of a 60 second wait.
- 8) When lighting the appliance, the inside of the glass may fog up. This will burn off after a few minutes of operation.

DO NOT BURN THE APPLIANCE WITH THE GLASS ASSEMBLY REMOVED.



LIGHTING PROCEDURE

IMPORTANT

To ignite or reignite the pilot, you must first release the tension springs below the door.

Only when the pilot holds, without pressure being applied to the control knob, reapply the tension springs to the door. The unit **must not** be operated with the tension springs unattached.

NOTE: For all propane units and units equipped with electric spark boxes, see "Copy of Lighting Plate Instructions" section for more details.

IMPORTANT: Gas on/off knob cannot be turned from "PILOT" to "OFF" unless it is partially depressed.

- 1) Open the bottom louver assembly
- 2) If the control knob is in the "OFF" position proceed to Step 5.
- 3) Push in gas control knob slightly and turn clockwise to "OFF". Knob cannot be turned from "PILOT" to "OFF" unless knob is pushed in slightly. Do not force.
- 4) Wait five minutes to allow gas, that may have accumulated in the main burner compartment, to escape. If you do smell gas, follow the instructions on the front of this manual. If you don't smell gas continue on to the next step.
- 5) Turn the gas control counter clockwise to "PILOT".
- 6) Push in control knob all the way and hold in. Continually push and release the black button on spark igniter until pilot lights. Continue to hold the control knob in for approximately one minute, then release the gas control knob. The pilot flame should continue to burn. If the pilot does not remain lit, repeat operation allowing a longer period before releasing gas control knob.
- 7) Turn gas control knob counter clockwise to "ON".
- 8) Use the rocker switch to operate main burner.
- 9) Rotate the variable flame control to adjust the flame height higher or lower.
- 10) Close the bottom louver assembly.

SHUTDOWN PROCEDURE

- 1) Use the rocker switch to turn off the main burner.
- 2) Open the bottom louver assembly.
- 3) Push in the gas control knob slightly and turn clockwise to "OFF". Do not force.
- 4) Disconnect all electric power and gas to the appliance if service is to be performed.

FIRST FIRE

The first fire in your stove is part of the paint curing process. To ensure that the paint is properly cured, it is recommended that you burn your fireplace for at least four (4) hours the first time you use it with the fan on. When first operated, the unit will release an odour caused by the curing of the paint, the burning off of any oils remaining from manufacturing. Smoke detectors in the house may go off at this time. Open a few windows to ventilate the room for a couple of hours.

The glass panel may require cleaning after the unit has cooled down. **DO NOT ATTEMPT TO CLEAN THE GLASS WHILE IT IS HOT.**

Note: When the glass is cold and the appliance is lit, it may cause condensation and fog the glass. This condensation is normal and will disappear in a few minutes as the glass heats up.

DO NOT BURN THE APPLIANCE WITHOUT THE GLASS FRONT IN PLACE.

During the first few fires, a white film may develop on the glass front as part of the curing process. The glass should be cleaned or the film will bake on and become very difficult to remove. Use a non-abrasive cleaner and NEVER clean the glass while it is hot.

AUTOMATIC CONVECTION FAN OPERATION

The fan operates automatically, turn the knob on the side of the faceplate to adjust to the desired speed. The fan will turn on as the stove comes up to operating temperature. After the unit has been turned off and the unit cooled to below a useful heat output range the fan will shut off automatically.

NORMAL OPERATING SOUNDS OF GAS APPLIANCES

It is possible that you will hear some sounds from your gas appliance. This is perfectly normal due to the fact that there are various gauges and types of steel used within your appliance. Listed below are some examples. All are **normal operating sounds** and should not be considered as defects in your appliance.

Blower:

FPI gas appliances use high tech blowers to push heated air farther into the room. It is not unusual for the fan to make a "whirring" sound when ON. This sound will increase or decrease in volume depending on the speed setting of your fan speed control.

Burner Tray:

The burner tray is positioned directly under the burner tube(s) and logs and is made of a different gauge material from the rest of the firebox and body. Therefore, the varying thicknesses of steel will expand and contract at slightly different rates which can cause "ticking" and "cracking"

OPERATING INSTRUCTIONS

sounds. You should also be aware that as there are temperature changes within the unit these sounds will likely re-occur. Again, this is normal for steel fireboxes.

Blower Thermodisc:

When this thermally activated switch turns ON it will create a small "clicking" sound. This is the switch contacts closing and is normal.

Pilot Flame:

While the pilot flame is on it can make a very slight "whisper" sound.

Gas Control Valve:

As the gas control valve turns ON and OFF, a dull clicking sound may be audible, this is normal operation of a gas regulator or valve.

Unit Body/Firebox:

Different types and thicknesses of steel will expand and contract at different rates resulting in some "cracking" and "ticking" sounds will be heard throughout the cycling process.

MAINTENANCE INSTRUCTIONS

- 1) Always turn the gas valve to off before cleaning. For relighting, refer to lighting instructions. Keep the burner and control compartment clean by brushing and vacuuming at least once a year. When cleaning the logs, use a clean soft paint brush as the logs are fragile and easily damaged.
- 2) Clean (never when unit is hot) appliance, door and louvers with a damp cloth. Never use an abrasive cleaner. The gold louvers (and optional gold door) may be scratched if abrasives are used to clean them. The heater is finished in a heat resistant paint and should only be refinished with heat resistant paint (not with wall paint). FPI uses StoveBrite Paint - Metallic Black #6309.
- 3) Make a periodic check of burner for proper position and condition. Visually check the flame of the burner periodically, making sure the flames are steady; not lifting or floating. If there is a problem, call a qualified service person.
- 4) The appliance and venting system must be inspected before use, and at least annually, by a qualified field service person, to ensure that the flow of combustion and ventilation air is not obstructed. During the annual service call, the burners should be removed from the burner tray and cleaned. Replace the embers but do not block the pilot.
- 5) Keep the area near the appliance clear and free from combustible materials, gasoline and other flammable vapours and liquids.

COPY OF LIGHTING INSTRUCTION PLATE

FOR YOUR SAFETY READ BEFORE LIGHTING

This appliance must be installed in accordance with local codes, if any; if none, follow the National Fuel Gas Code, ANSI Z223.1/NFPA 54, or Natural Gas and Propane Installation Codes, CSA B149.1. (Australia: AS5601-2004, New Zealand: NZS 5261)

WARNING: If you do not follow these instructions exactly, a fire or explosion may result causing property damage, personal injury or loss of life. Improper installation, adjustment, alteration, service or maintenance can cause injury or property damage. Refer to the owner's information manual provided with this appliance. For assistance or additional information consult a qualified installer, service agency or gas supplier.

A) This appliance has a pilot which must be lighted by hand, following the instructions below exactly.
B) BEFORE LIGHTING smell all around the appliance area for gas. Be sure to smell next to the floor because some gas is heavier than air and will settle on the floor.

WHAT TO DO IF YOU SMELL GAS

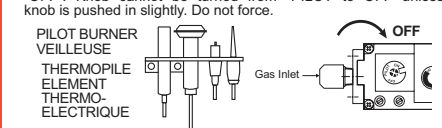
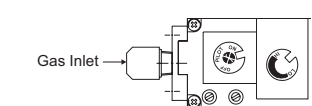
- Do not try to light any appliance
- Do not touch any electric switch, do not use any phone in your building
- Immediately call your gas supplier from a neighbors phone. Follow the gas supplier's instructions.
- If you cannot reach your gas supplier, call the fire department.

C) Use only your hand to push in or turn the gas control knob. Never use tools. If the knob will not push in or turn by hand, don't try to repair it, call a qualified service technician. Force or attempted repair may result in a fire or explosion.
D) Do not use this appliance if any part has been under water. Immediately call a qualified service technician to inspect the appliance and to replace any part of the control system and any gas control which has been under water.
E) This appliance needs fresh air for safe operation and must be installed so there are provisions for adequate combustion and ventilation air.

CAUTION: Hot while in operation. Do not touch. Severe Burns may result. Due to high surface temperatures keep children, clothing and furniture, gasoline and other liquids having flammable vapors away. Keep burner and control compartment clean. See installation and operating instructions accompanying appliance.

LIGHTING INSTRUCTIONS

STOP! Read the safety information above on this label.

FOR UNITS NOT EQUIPPED WITH ELECTRIC SPARK:	FOR ALL PROPANE UNITS AND UNITS EQUIPPED WITH ELECTRIC SPARK BOXES:
<ol style="list-style-type: none">1) Push in gas control knob slightly and turn clockwise to "OFF". Knob cannot be turned from "PILOT" to "OFF" unless knob is pushed in slightly. Do not force.  <ol style="list-style-type: none">2) Wait five (5) minutes to clear out any gas. If you then smell gas STOP! follow "B" in the safety information above on this label. If you don't smell gas, go to the next step.3) Turn knob on gas control counterclockwise to "PILOT".4) Push in control knob all the way and hold in. Immediately push black button on spark igniter until pilot lights. Continue to hold the control knob in for about 1/2 minute after the pilot is lit. Release knob and it will pop back up. Pilot should remain lit. If it goes out, repeat steps 3) and 4). If knob does not pop up when released, stop and immediately call your service technician or gas supplier. If the pilot will not stay lit after several tries, turn the gas control knob to "OFF" and call your service technician or gas supplier.5) Turn gas control knob counterclockwise to "ON".6) Use rocker switch to operate main burner.	<ol style="list-style-type: none">1) Push in gas control knob slightly and turn to "PILOT" position.2) Push in control knob all the way and hold in until the pilot lights up. Continue to hold the control knob in for about 20 seconds after the pilot is lit. Release knob.3) Push in gas control knob slightly and turn to "ON" position.4) Turn ON the flame switch. 

TO TURN OFF GAS APPLIANCE

- 1) Turn off the flame switch.
- 2) Push in the gas control knob slightly and turn clockwise to "OFF". Do not force.
- 3) Turn off all electric power to the appliance if service is to be performed.

You may shut off the pilot during prolonged non use periods to conserve fuel.

DO NOT REMOVE THIS INSTRUCTION PLATE 918-474a

WARNING: CHILDREN AND ADULTS SHOULD BE ALERTED TO THE HAZARDS OF HIGH SURFACE TEMPERATURE AND SHOULD STAY AWAY TO AVOID BURNS OR CLOTHING IGNITION. YOUNG CHILDREN SHOULD BE CAREFULLY SUPERVISED WHEN THEY ARE IN THE SAME ROOM AS THE APPLIANCE.

CAUTION: ANY SAFETY SCREEN OR GUARD REMOVED FOR SERVICING AN APPLIANCE MUST BE REPLACED PRIOR TO OPERATING THE APPLIANCE.

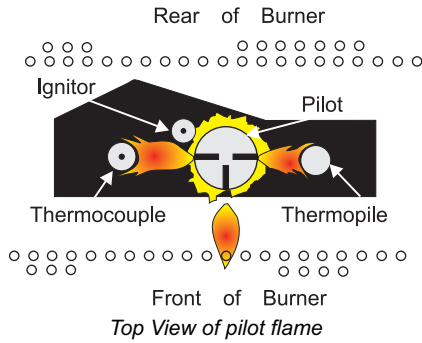
CLOTHING OR OTHER FLAMMABLE MATERIAL SHOULD NOT BE PLACED ON OR NEAR THE APPLIANCE.

- 6) Each time the appliance is lit, it may cause condensation and fog the glass. This condensation and fog is normal and will disappear in a few minutes as the glass heats up.

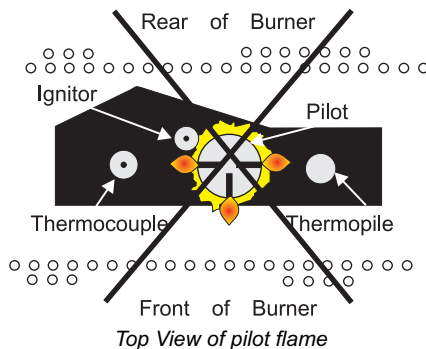
Never operate the appliance without the glass properly secured in place or with the door open.

- 7) Do not use this appliance if any part has been under water. Immediately call a qualified service technician to inspect the appliance and to replace any part of the control system and any gas control which has been under water.

- 8) Periodically check the pilot flames. Correct flame pattern has three strong blue flames: 1 flowing around the thermopile and 1 around the thermocouple, and 1 flowing across the rear of the burner (it does not have to be touching the burner).



Incorrect flame pattern will have small, probably yellow flames, not coming into proper contact with the rear of the burner or thermopile.



If you have an incorrect flame pattern, contact your FPI dealer for further instructions.

GENERAL VENT MAINTENANCE

Conduct an inspection of the venting system semi-annually. Recommended areas to inspect as follows:

- 1) Check the Venting System for corrosion in areas that are exposed to the elements. These will appear as rust spots or streaks, and in extreme cases, holes. These components should be replaced immediately.
- 2) Remove the Termination Cap, and shine a flashlight down the Vent. Remove any bird nests, or other foreign material.
- 3) Check for evidences of excessive condensation, such as water droplets forming in the inner liner, and subsequently dripping out the joints. Continuous condensation can cause corrosion of caps, pipe, and fittings. It may be caused by having excessive lateral runs, too many elbows, and exterior portions of the system being exposed to cold weather.
- 4) Inspect joints, to verify that no pipe sections or fittings have been disturbed, and consequently loosened. Also check mechanical supports such as Wall Straps, or plumbers' tape for rigidity.

LOG REPLACEMENT

The unit should never be used with broken logs. Turn off the gas valve and allow the unit to cool before opening door to carefully remove the logs. The pilot light generates enough heat to burn someone. If for any reason a log should need replacement, you must use the proper replacement log. The position of these logs must be as shown in the diagram under Log Installation.

NOTE: Improper positioning of logs may create carbon build-up and will alter the unit's performance which is not covered under warranty.

GLASS GASKET

If the glass gasket requires replacement use glass gasket (Part # 936-265) for the Bay Front and a tadpole gasket for the Flush Front (Part # 936-155).

GOLD-PLATED TRIM

The 24 carat gold plated finish on the trim requires little maintenance, and need only be cleaned with a damp cloth. **DONOT** use abrasive materials or chemical cleaners, as they may harm the finish and void the warranty. **Clean any fingerprints off before turning the unit on. If the top louvers start to discolour, check the door gasket seal and replace if necessary.**

DOOR GLASS

Your FPI insert is supplied with high temperature, 5mm Neoceram ceramic glass that will withstand the highest heat that your unit will produce. If your glass requires cleaning, we recommend using an approved glass cleaner available at all authorized dealers. Do not use abrasive materials. Do not clean the glass when hot.

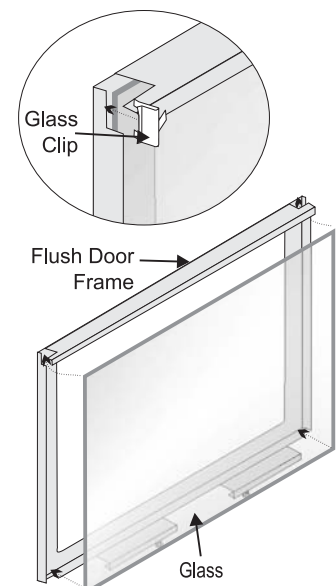
In the event that you break your glass by impact, purchase your replacement from an authorized FPI dealer only, and follow our step-by-step instructions for replacement.

Warning: Do not operate appliance with glass panels removed, cracked or broken. Replacement of the glass should be done by a licensed or qualified service person.

Caution: Wear gloves when removing damaged or broken glass.

Flush Glass Replacement

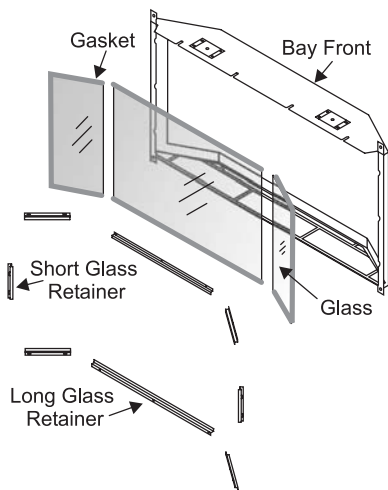
Remove the flush door front (as per instructions in section "Standard Flush Door"). Remove the 4 glass clips from each corner. Slide in the new replacement glass. Push the 4 glass clips back onto the frame.



MAINTENANCE

Bay Glass Removal

- 1) Remove the door from the unit and place on a soft surface to prevent scratching.
- 2) Remove the nuts holding the glass retainers in place.
- 3) Remove the glass retainers (sides, top and bottom).
- 4) Replace the glass. **The glass must have gasketing around it.**
- 5) Reverse the previous steps, replace the retainers and fasten with the nuts but do not over tighten, as this can break the glass.
- 6) Replace door on the stove and check the seal.

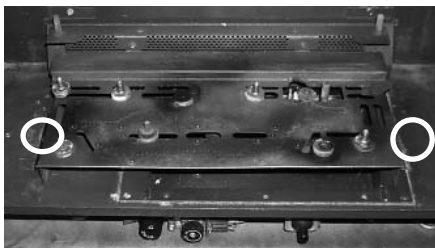


TO REMOVE FAN:

- 1) Turn the unit off and allow it to cool to room temperature.
- 2) Unplug or disconnect power source to stove.
- 3) Remove glass front (see section "Standard Flush Door.")
- 4) Remove logs and brick panels, if used.
- 5) Remove the grate by loosening the two screws and sliding the grate out.
- 6) Remove the burner/front log support assembly by removing the 2 screws and lifting it out.



- 7) Remove the 2 screws holding the Air Intake Hood to the rear firebox wall and lift out.

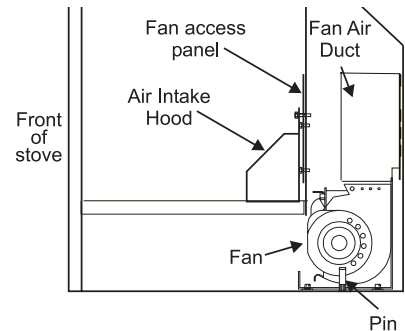
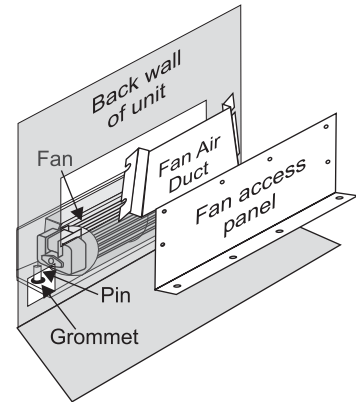


- 8) Remove the 10 screws holding the Access Panel in place.



- 9) Remove the Fan Air Duct by loosening the 3 screws, squeeze the sides together to remove.

- 10) Unplug the wires from the fan motor (from inside the stove).
- 11) Lift Fan Assembly off of the 2 pins, tip forward and pull through firebox opening.
- 12) Disconnect green wire from power cord.



Replacing fan:

Reverse above steps. Hint for pushing fan down onto pins - rub a bit of dish soap on the grommet so it will slide more easily onto the pin.

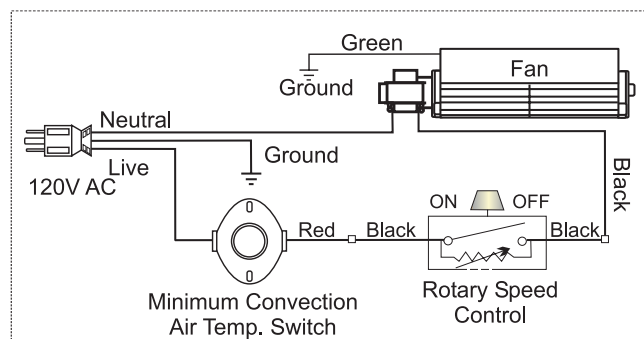
Check to make sure the fan is seated properly on the pins, this is very important- try to move the fan back and forth, there should be no noise, if there is check that the grommets haven't come loose.

Seal fan access panel using high temperature silicone (sparingly).

FAN MAINTENANCE

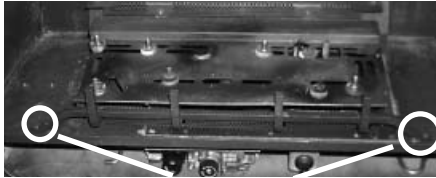
If your fan requires maintenance or replacement, access to the fan is through the plate on the rear wall of the firebox. **NOTE: the unit MUST NOT be operated without the fan access panel securely in place.**

Caution: Label all wires prior to disconnecting when servicing controls. Wiring errors can cause improper and dangerous operation. Verify proper operation after servicing.



VALVE REPLACEMENT

- 1) Shut off the gas supply.
- 2) Remove the louvers (and bay door if it is on).
- 3) Open the flush door and remove the door.
- 4) Remove the logs and brick panels.
- 5) Remove the grate by loosening the two screws and sliding the grate out.



Grate screws

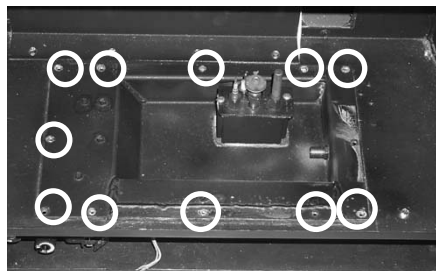
- 6) Remove the burner assembly by removing the 2 screws and lifting it out.



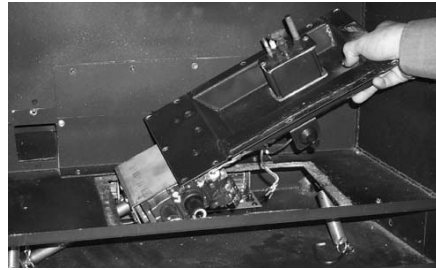
- 7) Remove the 2 screws holding the Air Intake Hood to the rear firebox wall and lift out.



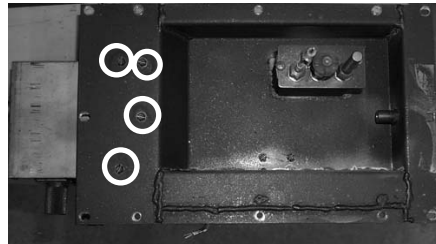
- 8) Disconnect the inlet gas line.
- 9) Disconnect the TP wire, the TH wire, and the TH/TP wire from the valve.
- 10) Remove the 11 Phillips head screws securing the valve tray in place, and then lift the entire assembly out.



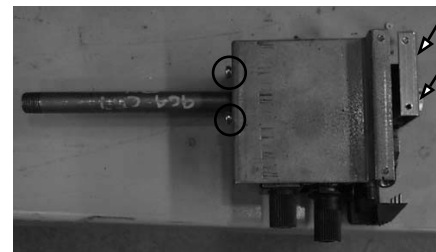
- 11) Push the valve assembly to the left and lift the entire assembly out.



- 12) Remove the valve by removing the 4 screws in the base of the valve tray.



- 13) Undo the pilot tube from the valve with a 7/16" wrench.
- 14) Undo the quick drop out thermocouple nut on the valve with a 9mm (metric) wrench.
- 15) Undo the "gas out" flare nut with a 13/16" wrench.
- 16) Undo the "gas out" flare fitting with an 11/16" wrench.
- 17) Remove the valve mounting brackets.



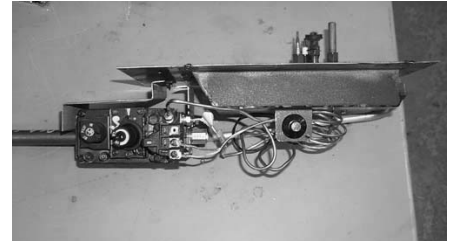
Hint: If you are using black pipe, ensure that there is a union by the valve, otherwise removal will be almost impossible.

INSTALLING VALVE

- 1) Re-attach the valve mounting brackets to the valve.
- 2) Reconnect the "gas out" flare fitting with an 11/16" wrench.
- 3) Reconnect the "gas out" flare nut with a 13/16" wrench.
- 4) Reconnect the quick drop out thermocouple nut with a 9mm wrench.

- 5) Reconnect the pilot tube nut with a 7/16" wrench.

- 6) Re-attach the valve mounting bracket to the valve tray.



- 7) Scrape off the old gasket from the floor of the firebox and from the valve tray.

- 8) Install a new gasket and reinstall the valve assembly.

Note: Failure to install a new gasket may severely affect the appliance performance.

- 9) Reinstall the 11 hold down screws.

- 10) Hook up the TP, TH, and TP/TH wires to the appropriate connections on the valve.

- 11) Reinstall the burner assembly.



Note: when installing the burner assembly be sure to slide the aeration adjustment wire through the hole in the base of the burner tray.

- 12) Install the grate.

- 13) Hook up the gas line and check for gas leaks with a soap and water solution or a gas leak detector. (Do not use open flame for leak testing.)

- 13) Fire up the unit temporarily and check the manifold pressure.

- 14) Reinstall the vermiculite, embers, rockwool, logs and brick panels as needed.

- 15) Close the door and replace the louvers.

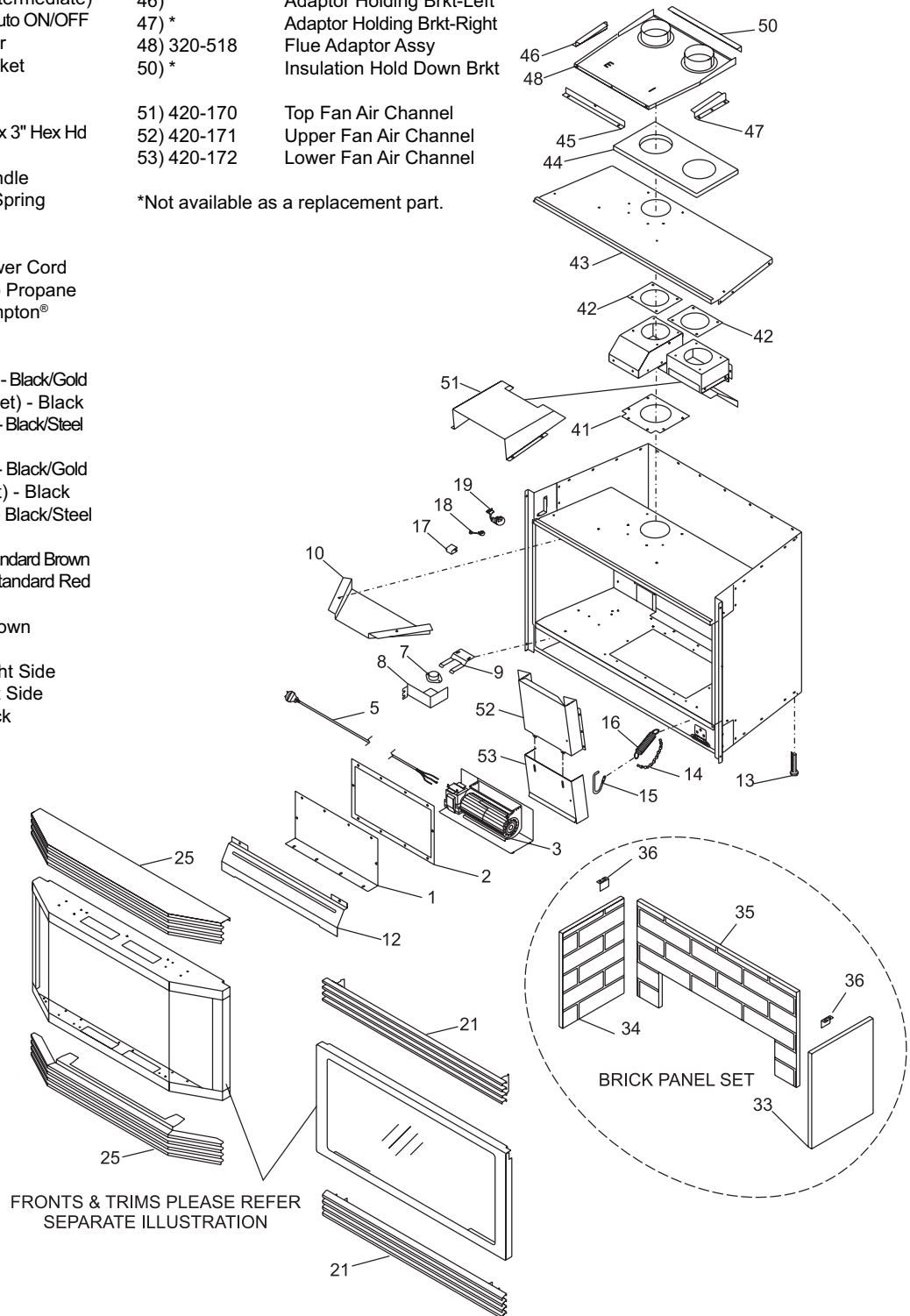
- 16) Fire up the unit again and check for proper flame appearance and glow on logs.

PARTS LIST

MAIN ASSEMBLY

Part #	Description	Part #	Description
1) 420-122	Fan Access Panel	41) 420-157	Gasket - Transition Box Bottom
2) 420-142	Gasket - Fan Access Panel	42) 420-054	Gasket - Transition Box Top
422-518/P	Fan Assembly:	43) *	Stove Top
3) 910-215/P	Fan Motor (120 V)	44) 420-048	Thermal Insulation
5) 910-750	Power Cord (120 V)	45) *	Adaptor Stop
910-752	Wire Harness (intermediate)	46) *	Adaptor Holding Brkt-Left
7) 910-142	Thermodisc-Fan Auto ON/OFF	47) *	Adaptor Holding Brkt-Right
8) *	Fan Switch Cover	48) 320-518	Flue Adaptor Assy
9) *	Thermodisc Bracket	50) *	Insulation Hold Down Brkt
10) 420-140	Flue Restrictor		
12) *	Air Hood	51) 420-170	Top Fan Air Channel
13) *	Levelling Bolt 5/16 x 3" Hex Hd	52) 420-171	Upper Fan Air Channel
14) 948-045	Jack Chain	53) 420-172	Lower Fan Air Channel
15) 948-247	Spring Lever Handle		
16) 948-025	Door Extension Spring		
17) *	Wire Holder Clip		
18) *	Strain Relief		
19) *	Grommet for Power Cord		
514-969	Conversion Kit to Propane		
948-220	Logo Plate - Hampton®		
918-677	Manual		
21) 420-920	Flush Louvers (Set) - Black/Gold		
420-922	Flush Louvers (Set) - Black		
420-923	Flush Louvers (Set) - Black/Steel		
25) 420-940	Bay Louvers (Set) - Black/Gold		
420-938	Bay Louvers (Set) - Black		
420-942	Bay Louver (Set) - Black/Steel		
422-901	Brick Panel Set - Standard Brown		
422-902	Brick Panel Set - Standard Red		
422-903	Brick Panel Set - Herringbone Brown		
33) *	Brick Panel - Right Side		
34) *	Brick Panel - Left Side		
35) *	Brick Panel - Back		
36) 400-090	Brick Clip		

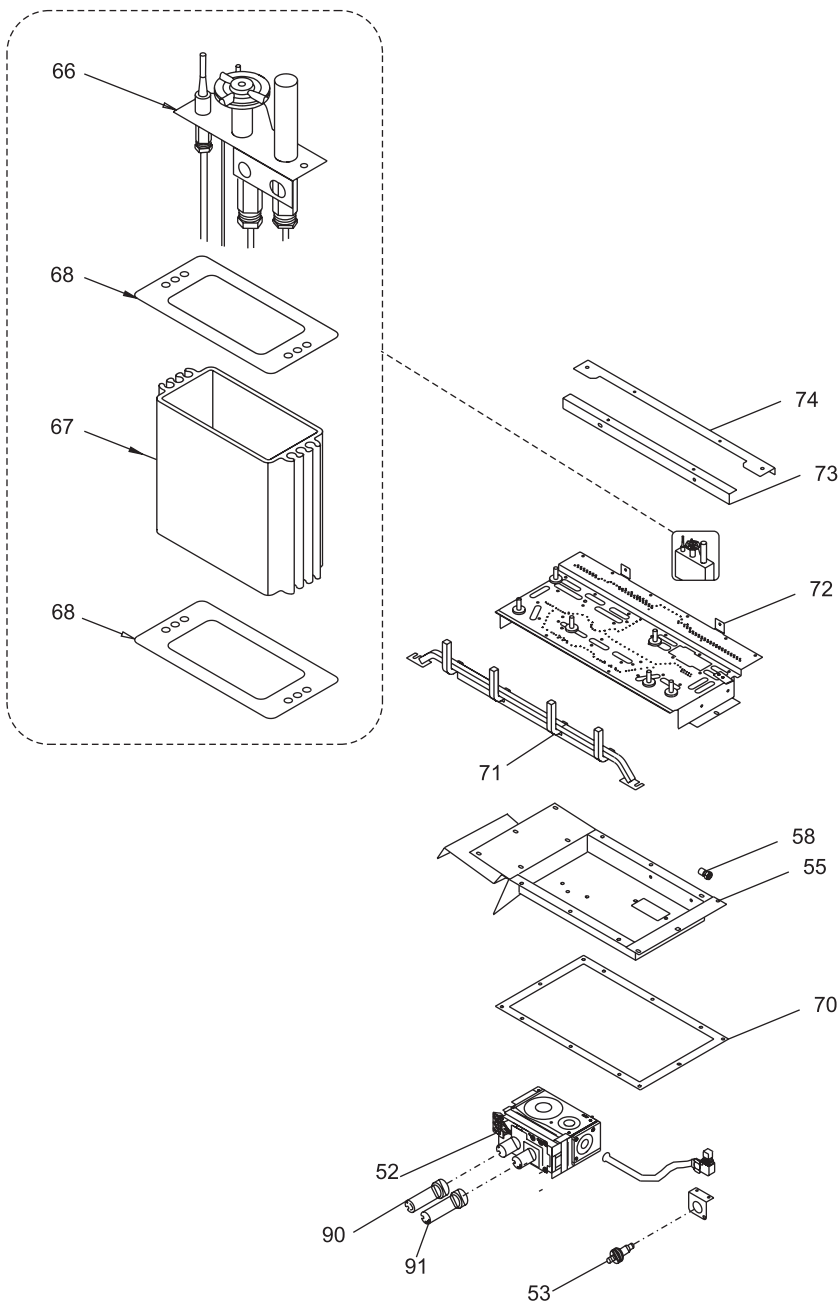
*Not available as a replacement part.



BURNER ASSEMBLY & LOG SET

Part #	Description
423-574/P	Valve Assembly - NG
423-576/P	Valve Assembly - LP
52) 910-478	Valve - SIT NG / LP
53) 910-190	Ignitor Piezo and Nut
55) *	Valve Tray
58) 904-240	Burner Orifice Nat. Gas #37
904-390	Burner Orifice LP # 52
936-170	Orifice Gasket
66) 910-038	Pilot Assembly - 3 Flame (NG)
910-039	Pilot Assembly - 3 Flame (LP)
67) *	Pilot Holder
68) W840470	Pilot Assembly Gasket
425-930	Log Set
70) 420-143	Valve Tray Gasket
71) 402-526	Grate/Diffuser Assy
72) 402-519	Burner Assembly (NG/LP)
73) *	Log Tray Mount Bracket
74) *	Log Tray Rear
90) 910-421	Pilot ON/OFF 3" (SIT) Extension Knob
91) 910-422	HI/LOW 3" (SIT) Extension Knob

*Not available as a replacement part.

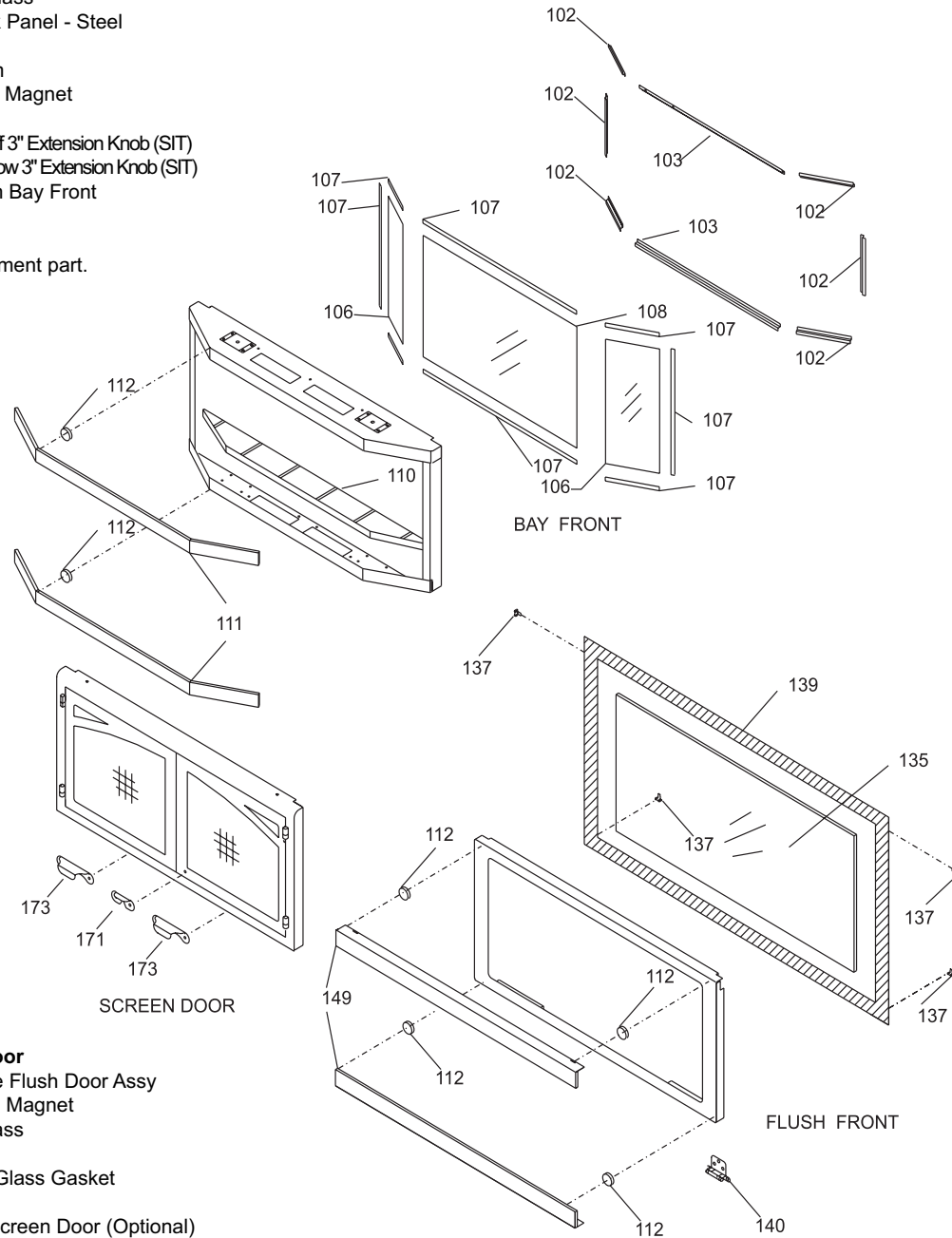


PARTS LIST

BAY & FLUSH FRONT ASSEMBLY

Part #	Description
Bay Door	
420-931	Complete Bay Door with Black Trim
102) *	Glass Retainer Side (Top & Btm)
103) *	Glass Retainer Front (Top & Btm)
106) 940-315/P	Side Glass
107) 936-243	Gasket
108) 940-314/P	Center Glass
110) 420-244	Bay Brick Panel - Steel
111) *	Door Trim
112) 904-196	1" Round Magnet
910-421	Pilot On/Off 3" Extension Knob (SIT)
910-422	Flame Hi/Low 3" Extension Knob (SIT)
402-956	Gold Trim Bay Front

*Not available as a replacement part.



Flush Door	
422-530	Complete Flush Door Assy
112) 904-196	1" Round Magnet
135) 940-307/P	Flush Glass
137) 904-691	U Clip
139) 936-155	Tadpole Glass Gasket
422-943	Double Screen Door (Optional)
171) 512-546	Door Latch Assembly
173) 430-133	Handle
904-712	U-clip for frame

FACEPLATE ASSEMBLY

Part # Description

402-919 Complete Faceplate (Set) Contour with Black Trim-Oversize

- 51) * Faceplate Side Right - Oversize
- 59) * Faceplate Top - Oversize
- 60) * Faceplate Side Left Assy-Oversize
- 402-534 Trims Pkg. Black - Oversize, Zero Clearance
- 65) * Faceplate Trim Right - Oversize
- 68) * Faceplate Trim Top - Oversize
- 70) * Faceplate Trim Left Assy - Oversize

- 97) 910-246 2-way Gold Contact Switch
- 98) 910-330 Fan Speed Control (120 V)
- 99) 904-569 Fan Speed Control Knob (120 V)

400-917 Complete Custom Faceplate (Set)

- 71) * Faceplate Side Right - Custom
- 72) * Faceplate Top - Custom
- 73) * Faceplate Side Left - Custom

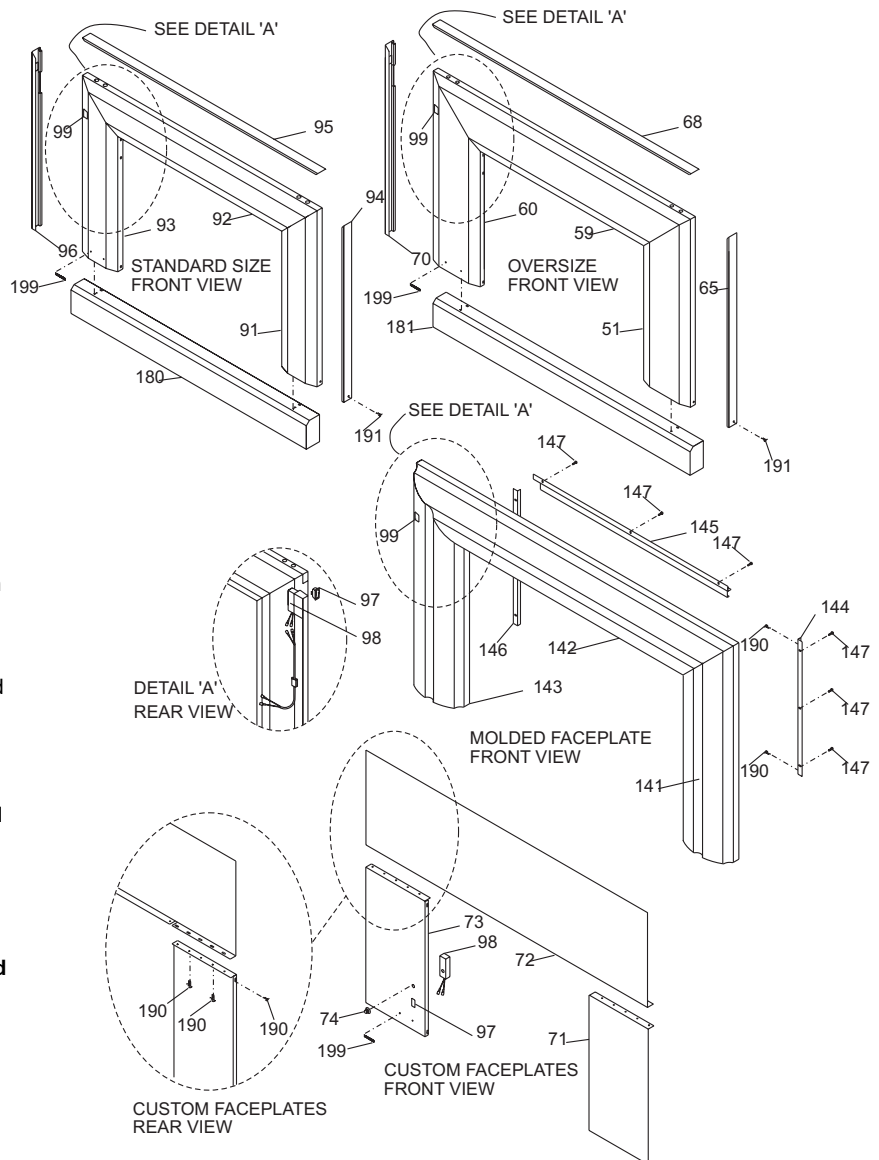
- 74) 904-586 Speed Control Knob c/w Spring Clip

Part # Description

- 180) **400-950** Hearth Trim 1" - Regular
- 181) **320-940** Hearth Trim 1" - Oversize
- 180) **400-926** Hearth Trim 2" - Regular
- 181) **320-942** Hearth Trim 2" - Oversize
- 180) **400-928** Hearth Trim 4" - Regular
- 181) **320-944** Hearth Trim 4" - Oversize
- 180) **400-959** Hearth Trim 6" - Regular
- 181) **320-946** Hearth Trim 6" - Oversize

- 190) * Screw #8 x 1/2" Black self-tapping
- 191) * Screw #8 x 1/2" Brass self-tapping
- 199) 948-216 Regency® Logo Plate

*Not available as a replacement part.



402-918 Complete Faceplate (Set) Standard Contour with Black Trim

- 91) * Faceplate Side Right - Standard
- 92) * Faceplate Top - Standard
- 93) * Faceplate Side Left Assy - Standard
- 402-532 Trims Pkg. - Standard Black
- 402-950 Trim Pkg. - Standard Brass
- 94) * Faceplate Trim Right - Standard
- 95) * Faceplate Trim Top - Standard
- 96) * Faceplate Trim Left Assy - Standard

- 97) 910-246 2-way Gold Contact Switch
- 98) 910-330 Fan Speed Control (120 V)
- 99) 904-569 Fan Speed Control Knob (120 V)

402-933 Complete Faceplate (Set) Molded

- 141) * Faceplate Side Right - Molded
- 142) * Faceplate Top - Molded
- 143) * Faceplate Side Left -Molded
- 144) * Mounting Bracket - Right
- 145) * Filler Bracket
- 146) * Mounting Bracket - Left
- 147) * Screw #8 x 3/4" Pan Head

PARTS LIST

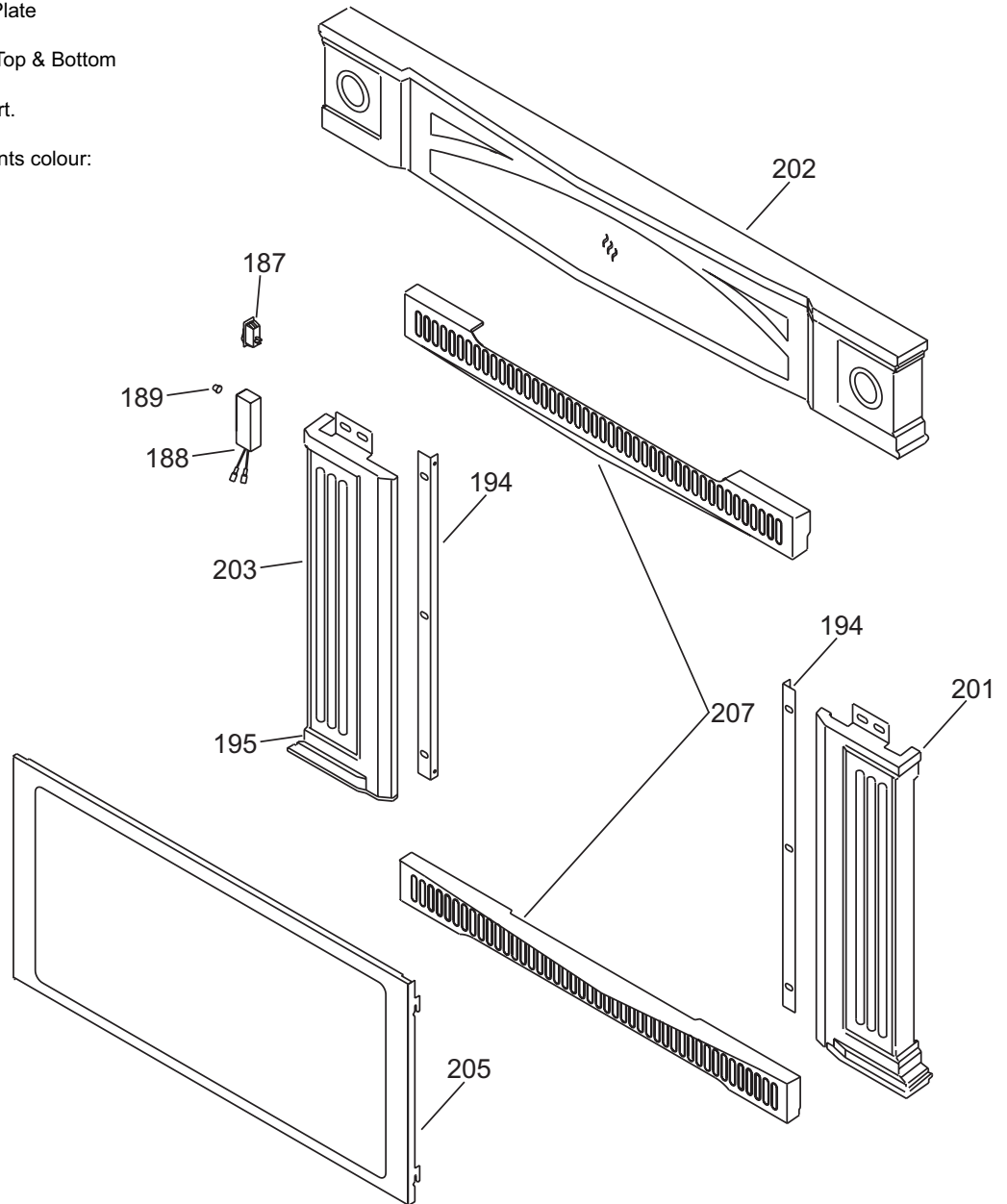
HAMPTON® CAST - FACEPLATE ASSEMBLY

Part #	Description
402-971**	Cast Faceplates (Set)
187) 910-246	Burner On/Off Switch
188) 910-330	Fan Speed Control (120 V)
189) 904-733	Knob - Black Cast Surround
201) *	Cast Faceplate - Right
202) *	Cast Faceplate - Top
203) *	Cast Faceplate - Left
205) *	Flush Glass Frame
194) *	Mounting Flange
195) *	Hampton® Logo Plate
207) 402-981**	Cast Grill (Set) - Top & Bottom

*Not available as a replacement part.

** Last digit of part number represents colour:

1=Black Metallic, 5=Enamel Brown





Regency Fireplace Products are designed with reliability and simplicity in mind. In addition, our internal Quality Assurance Team carefully inspects each unit thoroughly before it leaves our facility. FPI Fireplace Products International Ltd. is pleased to extend this limited lifetime warranty to the original purchaser of a Excalibur Product. This warranty is not transferable.

The Warranty: Limited Lifetime

The combustion chamber, heat exchanger, burner tubes/pans, logs, brick panels and gold plating (against defective manufacture only) are covered under the Limited Lifetime Warranty for five (5) years for parts and subsidized labour* and parts only thereafter.

Glass is covered for lifetime against thermal breakage only, parts and subsidized labour* for five (5) years and parts only thereafter from date of purchase.

External casting, surrounds and grills are covered against cracks and warps resulting from manufacturer defects, parts and subsidized labour* for three (3) years from the date of purchase and parts only thereafter.

Special Finishes - One year on brushed nickel and antique copper full screens and doors. You can expect some changes in color as the product "ages" with constant heating and cooling. FPI warranties the product for any manufacturing defects on the original product. However, the manufacturers warranty does not cover changing colors and marks, ie. finger prints, etc applied after the purchase of the product. Damage from the use of abrasive cleaners is not covered by warranty.

Electrical and mechanical components such as blowers, switches, wiring, thermodiscs, FPI remote controls, spill switches, thermopiles, thermocouples, pilot assembly components, and gas valves are covered for two years parts and one year subsidized labour* from the date of purchase. Blowers and valves replaced under warranty are considered repairs and continue as if new with appliance. ie. twelve (12) months from original purchase date of appliance with a minimum of three (3) months coverage from date of replacement.

FPI venting components are covered parts and subsidized labour* for three (3) years from date of purchase.

Simpson Dura-Vent venting components (Direct Vent units) are covered by Simpson Dura-Vent Inc. warranty.

Repair/replacement parts purchased by the consumer from FPI after the original coverage has expired on the unit will carry a 90 day warranty, valid with a receipt only. Any item shown to be defective will be repaired or replaced at our discretion. No labor coverage is included with these parts.

Conditions:

Any part or parts of this unit which in our judgement show evidence of such defects will be repaired or replaced at FPI's option, through an accredited distributor or agent provided that the defective part be returned to the distributor or agent Transportation Prepaid, if requested.

Porcelain/Enamel - Absolute perfection is either guaranteed nor commercially possible. Any chips must be reported and inspected by an authorized dealer within three days of installation. Reported damage after this time will be subject to rejection.

It is the general practice of FPI to charge for larger, higher priced replacement parts and issue credit once the replaced component has been returned to FPI and evaluated for manufacturer defect.

The authorized selling dealer is responsible for all in-field service work carried out on your Regency product. FPI will not be liable for results or costs of workmanship from unauthorized service persons or dealers.

At all times FPI reserves the right to inspect product in the field which is claimed to be defective.

All claims must be submitted to FPI by authorized selling dealers. It is essential that all submitted claims provide all of the necessary information including customer name, purchase date, serial #, type of unit, problem, and part or parts requested, without this information the warranty will be invalid.

Exclusions:

This limited Lifetime Warranty does not extend to or include paint, door or glass gasketing or trim.

At no time will FPI be liable for any consequential damages which exceed the purchase price of the unit. FPI has no obligation to enhance or modify any unit once manufactured. ie. as products evolve, field modifications or upgrades will not be performed.

FPI will not be liable for travel costs for service work.

Installation and environmental problems are not the responsibility of the manufacturer and therefore are not covered under the terms of this warranty policy.

Embers, rockwool, gaskets, door handles and paint are not covered under the terms of this warranty policy.

Any unit which shows signs of neglect or misuse is not covered under the terms of this warranty policy.

The warranty will not extend to any part which has been tampered with or altered in any way, or in our judgment has been subject to misuse, improper installation, negligence or accident, spillage or downdrafts caused by environmental or geographical conditions, inadequate ventilation, excessive offsets, negative air pressure caused by mechanical systems such as furnaces, fans, clothes dryer, etc.

Freight damage to stoves and replacement parts is not covered by warranty and is subject to a claim against the freight carrier by the dealer.

FPI will not be liable for acts of God, or acts of terrorism, which cause malfunction of the appliance.

Performance problems due to operator error will not be covered by this warranty policy.

Products made or provided by other manufacturers and used in conjunction with the operation of this appliance without prior authorization from FPI, may nullify your warranty on this product.

Any alteration to the unit which causes sooting or carboning that results in damage to the interior / exterior facia is not the responsibility of FPI.

* Subsidy according to job scale as predetermined by FPI.

FPI fireplaces are designed with reliability and simplicity in mind. In addition, our internal Quality Assurance Team carefully inspects each unit thoroughly before it leaves our door.

FPI Fireplace Products International Ltd. is pleased to extend this Limited Lifetime Warranty to the original purchaser of a FPI Product.

See the inside back cover for details.

**Register your Regency® online at
<http://www.regency-fire.com>**

**Register your Hampton® online at
<http://www.hampton-fire.com>**

Installer: Please complete the following information

Dealer Name & Address: _____

Installer: _____

Phone #: _____

Date Installed: _____

Serial No.: _____

Free Manuals Download Website

<http://myh66.com>

<http://usermanuals.us>

<http://www.somanuals.com>

<http://www.4manuals.cc>

<http://www.manual-lib.com>

<http://www.404manual.com>

<http://www.luxmanual.com>

<http://aubethermostatmanual.com>

Golf course search by state

<http://golfingnear.com>

Email search by domain

<http://emailbydomain.com>

Auto manuals search

<http://auto.somanuals.com>

TV manuals search

<http://tv.somanuals.com>