



RECIPES AND USER GUIDE

DRINK MIXER
PAGE 2

RECETTES ET GUIDE DE L'UTILISATEUR

MÉLANGEUR
À BOISSON
À LA PAGE 16

GUÍA DE USO

FUENTE DE SODAS
PÁGINA 32



READ BEFORE USE

USA: 1-800-851-8900
Canada: 1-800-267-2826

LIRE AVANT L'UTILISATION

Canada : 1-800-267-2826

LEA ANTES DE USAR

México : 01-800-71-16-100
Le invitamos a leer cuidadosamente este
instructivo antes de usar su aparato.

840141900

Dear Drink Mixer Owner,

Congratulations on your purchase. The Hamilton Beach® Eclectrics™ Collection adds a modern twist to those dependable, all-metal appliances you remember from yesteryear.

Owning a Hamilton Beach® is like owning a piece of history. In 1904, Louis Hamilton and Chester Beach teamed up to bring motorized appliances like vacuums, sewing machines, and mixers into American households. In honor of their 100-year legacy, we've combined the "built to last" metal construction of the past with the styling of today to bring lasting quality and style to your kitchen.

As you use your all-metal appliance, think about the history that came before it. Enjoy the confidence you have in a product backed by years of experience and a 3-year warranty. But most of all, fill your home with the delicious aroma of homemade recipes that your appliance helps you create!

I hope you enjoy your Hamilton Beach® Eclectrics™ appliance for many years to come.

Sincerely,



*Michael J. Morecroft
President and Chief Executive Officer
Hamilton Beach/Proctor-Silex, Inc.*

Table of Contents

Warranty Information	3	Recipes	8-15
Important Safeguards	4	<i>Smoothies/Fruit Drinks</i>	8
Assistance and Service Information	5	<i>Milk Shakes</i>	11
Parts and Features	6	<i>Alcoholic Frozen Drinks</i>	14
Using Your Drink Mixer	6	<i>Breakfast</i>	15
Drink Mixer Tips	7	<i>Soup and Salsa</i>	15
Cleaning Your Mixer	7		

Warranty Information

Standard Three Year Warranty

Congratulations! You now own one of the finest drink mixers. We're so confident in the quality and craftsmanship of your new drink mixer that we're backing your purchase with a No-Hassle 3-Year Replacement Warranty. If your drink mixer malfunctions within 3 years of purchase, we will deliver a brand new replacement mixer to your door and remove the old unit at no cost to you. Here's how it works:

Warranty Term	To fulfill the warranty:	Hamilton Beach® will	Hamilton Beach® will not pay for
<p>Three years from date of original purchase for drink mixers operated in the continental United States, Alaska, Hawaii, and Canada.</p> <p>This warranty applies only to the original consumer purchaser.</p>	<p>1. Follow the instructions in this Manual. Refer to Drink Mixer Tips section if you have any problems operating the unit. If you have any questions, call one of the Customer Service numbers on page 5.</p> <p>2. Keep your proof of purchase. If the unit malfunctions within 3 years of purchase, call one of the Customer Service numbers on page 5.</p>	<p>1. Send a pre-paid shipping label so you can send us the unit.</p> <p>2. Ship a brand new replacement unit to your address.</p>	<p>Product failures arising from abuse, misuse, neglect, use for commercial purposes, or use contrary to this Manual.</p> <p>THIS WARRANTY IS IN LIEU OF ANY OTHER WARRANTY OR CONDITION, EXPRESS OR IMPLIED, WRITTEN OR ORAL, INCLUDING ANY WARRANTY, STATUTORY WARRANTY OR CONDITION OF MERCHANTABILITY OR FITNESS FOR A PARTICULAR PURPOSE. ANY LIABILITY IS EXPRESSLY LIMITED TO THE PURCHASE PRICE PAID. ALL CLAIMS FOR SPECIAL, INCIDENTAL OR CONSEQUENTIAL DAMAGES ARE EXPRESSLY EXCLUDED.</p>

IMPORTANT SAFEGUARDS

When using electrical appliances, basic safety precautions should be followed, including the following:

1. Read all instructions.
2. To protect against risk of electrical shock, do not put base, motor, cord, or plug in water or other liquid.
3. Close supervision is necessary when any appliance is used by or near children.
4. Unplug cord from outlet when not in use, before putting on or taking off parts, and before cleaning.
5. Avoid contact with moving parts.
6. Keep hands, hair, clothing, as well as spatulas and other utensils out of container to prevent personal injury or damage to the mixer.
7. Do not operate any appliance with a damaged cord or plug, or after the appliance malfunctions or is dropped or damaged in any manner. Call our toll-free customer service number for information on examination, repair, or electrical or mechanical adjustment.
8. The use of attachments not recommended or sold by Hamilton Beach/Proctor-Silex, Inc., may cause fire, electrical shock, or injury.
9. Do not use outdoors.
10. Do not let cord hang over edge of table or counter or touch hot surfaces.
11. Never add ingredients to container while appliance is operating.
12. Container must be properly in place before operating appliance.
13. To wash mixing shaft, unplug mixer and follow the cleaning instructions provided on page 7.
14. Do not use this appliance for other than intended use.

SAVE THESE INSTRUCTIONS

Consumer Safety Information

This appliance is intended for household use only.

This appliance is equipped with a grounded-type 3-wire cord (3-prong plug). This type of plug will only fit into an electrical outlet made for a 3-prong plug. This is a safety feature intended to help reduce the risk of electrical shock. If the plug should fail to fit contact a qualified electrician to replace the obsolete outlet. Do not attempt to defeat the safety purpose of the grounding pin by modifying the plug in any way.

The length of the cord used on this appliance was selected to reduce the hazards of becoming tangled in, or tripping over a longer cord. If a longer cord is necessary, an approved extension cord may be used. The electrical rating of the extension cord must be equal to or greater than the rating of the drink mixer. Care must be taken to arrange extension cord so that it will not drape over countertop or tabletop where it can be pulled on by children or accidentally tripped over.

Assistance and Service

Before Calling for Assistance

Please read before calling:

- The drink mixer may warm up during use. Under heavy loads with extended mixing time periods, the top of the unit may feel warm to the touch. This is normal.
- The drink mixer may emit an odor, especially when new. This is common with electric motors.

If your drink mixer should malfunction or fail to operate, please check the following:

- Is the drink mixer plugged in?
- Is the fuse in the circuit to the drink mixer in working order? If you have a circuit breaker box, be sure the circuit is closed.
- If the problem is not due to one of the items mentioned above, see Customer Service Information.
- DO NOT return the drink mixer to the retailer as they do not provide service.

Customer Service Information

If you have a question about your drink mixer, call our toll-free customer service number. Before calling, please note the model, type, and series numbers and fill in that information below. These numbers can be found on the bottom of your drink mixer. This information will help us answer your question much more quickly.

MODEL: _____ **TYPE :** _____ **SERIES:** _____

CUSTOMER SERVICE NUMBERS

In the U.S. 1-800-851-8900 • In Canada 1-800-267-2826

hamiltonbeach.com

hamiltonbeach.ca

KEEP THESE NUMBERS FOR FUTURE REFERENCE!

Parts and Features

1. Control Switch

- = OFF
- = LOW
- = HIGH

2. Container Support

3. Container Rest

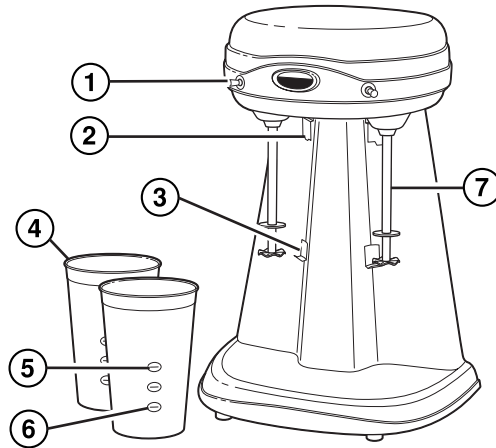
4. Container

5. Maximum Level, 12 ounces (350 ml)

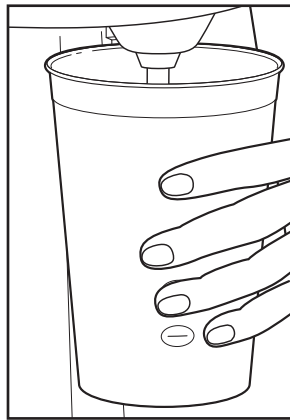
6. Minimum Level, 4 ounces (125 ml)

7. Mixing Shaft

NOTE: For proper air ventilation, always allow a minimum of one inch (2.5 cm) of space between the back of the drink mixer and other surface such as a wall.



Using Your Drink Mixer



- 1. BEFORE FIRST USE:** Wash container and mixing shaft before using. See Cleaning instructions.
- 2.** Set Control Switch to ○ (OFF). Plug into electrical outlet.
- 3.** Place ingredients to be mixed in container.
- 4.** Place container onto drink mixer, making certain that container's top edge is behind container support and container bottom is on container rest.
- 5.** Move Control Switch to desired speed to process. Start with Low Speed then increase to High Speed if desired.
- 6.** For hard ice cream or very thick shakes, remove the container from the rest and support. With mixing shaft still submerged in mixture, move the container around for more thorough mixing.
- 7.** When finished, turn unit to ○ (OFF). Remove container.
- 8.** Pour contents from container and serve.

WARNING

Moving Parts

- Inspect attachments before each use.
- Do not use cracked, bent or damaged attachments.
- Do not contact moving parts.

Drink Mixer Tips

- Most drinks can be mixed in less than two minutes.
- Whole fruit should not be used when making fruit drinks. Mash or puree fruit; add to drink, and mix. Fruit may be sliced if chunks are desired.
- The container must always be filled to at least the minimum level mark or the liquid will not reach mixing shaft. Do not fill above maximum level mark (12 ounces/350 ml) or liquid may overflow while mixing.
- For best results, all liquid ingredients should be as cold as possible. Milk drinks will taste best if milk is ice cold. The colder the milk, the thicker and more frothy the drink.
- All syrups and powdered mixes should be added just before mixing to prevent them from sinking to the bottom of the container.
- The drink mixer does not crush ice. For best results, use crushed ice if the recipe calls for ice.

Cleaning your Drink Mixer

1. To clean the mixing shaft, place 8 ounces (250 ml) warm, soapy water in stainless steel container. Place container onto Drink Mixer. Set Control Switch to Low for 30 seconds. When finished, turn unit to **O** (OFF).
2. Repeat Step 1 with warm water only to rinse mixer shaft.
3. With unit turned to **O** (OFF), unplug unit and wipe residual soap and water from the mixing shaft with a damp cloth or sponge.
4. The metal mixing container should be washed in warm, soapy water or in a dishwasher.
5. To clean drink mixer, wipe with damp cloth or sponge. Do not use abrasive cleansers of any type.

DO NOT IMMERSE APPLIANCE IN WATER OR OTHER LIQUID.

Smoothies/Fruit Drinks

Always add liquid ingredients first then remaining ingredients. Start mixing on LOW then increase Speed to HIGH. Process to desired consistency, about 1 to 2 minutes.

Citrus Burst Smoothie

$\frac{3}{4}$ cup (175 ml) lemonade
 $\frac{1}{4}$ cup (60 ml) lemon yogurt
 $\frac{1}{2}$ cup (125 ml) lime sherbet

Place all ingredients into stainless steel container. Mix until desired consistency is reached. **Yield: 1 serving.**

Simple Blueberry Smoothie

$\frac{1}{4}$ cup (60 ml) plain yogurt
 $\frac{1}{4}$ banana, mashed
 $\frac{1}{4}$ pound (115 g) frozen blueberries, thawed

Place all ingredients into stainless steel container. Mix until desired consistency is reached. **Yield: 1 serving.**

Orange Banana Smoothie

$\frac{1}{2}$ cup (125 ml) orange juice
 $\frac{1}{2}$ cup (125 ml) vanilla yogurt
 $\frac{1}{4}$ cup (60 ml) banana, mashed

Place all ingredients into stainless steel container. Mix until desired consistency is reached. **Yield: 1 serving.**

Nutritious Shake

$\frac{1}{2}$ cup (125 ml) soymilk
 $\frac{1}{4}$ ripe organic banana, mashed
 $\frac{1}{4}$ cup (60 ml) of frozen organic strawberries, thawed
2 teaspoons (10 ml) protein powder

Place all ingredients into stainless steel container. Mix until desired consistency is reached. Serve cold. **Yield: 1 serving.**

Pineapple Berry Smoothie

6 ounces (170 g) lowfat pineapple yogurt
1 scoop lemon sorbet
 $\frac{1}{2}$ cup (125 ml) cranberry juice
8 fresh raspberries

Place all ingredients into stainless steel container. Mix until desired consistency is reached. **Yield: 1 serving.**

Smoothies/Fruit Drinks

Always add liquid ingredients first then remaining ingredients. Start mixing on LOW then increase Speed to HIGH. Process to desired consistency, about 1 to 2 minutes.

Orange-Sicle Smoothie

¾ cup (175 ml) orange juice
2 scoops vanilla ice cream

Place all ingredients into stainless steel container. Mix until desired consistency is reached. **Yield: 1 serving.**

Bucket of Fruit Smoothie

6 ounces (170 g) lowfat peach yogurt
½ cup (125 ml) orange juice
2 fresh strawberries, mashed
½ kiwi fruit, peeled and mashed

Place all ingredients into stainless steel container. Mix until desired consistency is reached. **Yield: 1 serving.**

Strawberry Cooler

3 scoops frozen strawberry yogurt
¾ cup (175 ml) ginger ale

Place all ingredients into stainless steel container. Mix until desired consistency is reached. **Yield: 1 serving.**

Orange Smoothie

4 scoops vanilla yogurt
⅓ cup (80 ml) orange juice
1 teaspoon (5 ml) rum flavoring
1 tablespoon (15 ml) lime juice

Place all ingredients into stainless steel container. Mix until desired consistency is reached. **Yield: 1 serving.**

Lemon-Berry Frothy

1 cup (250 ml) cold lemonade
½ cup (125 ml) whole frozen strawberries

Place all ingredients into stainless steel container. Mix until desired consistency is reached. **Yield: 1 serving.**

Smoothies/Fruit Drinks

Always add liquid ingredients first then remaining ingredients. Start mixing on LOW then increase Speed to HIGH. Process to desired consistency, about 1 to 2 minutes.

Tropical Smoothie

- 1 scoop peach ice cream
- 5 tablespoons (75 ml) milk
- 1 teaspoon (5 ml) grenadine (optional)
- 1 teaspoon (5 ml) crushed pineapple & juice

Place all ingredients into stainless steel container. Mix until desired consistency is reached. **Yield: 1 serving.**

Health Drink

- ¼ cup (60 ml) pineapple juice
- ¼ ripe medium size banana, mashed
- ½ 8-ounce (115 g) carton vanilla or plain yogurt
- ¼ cup (60 ml) fresh strawberries
- 1 tablespoon (15 ml) wheat germ
- ½ teaspoon (2.5 ml) vanilla extract

Place pineapple juice, banana, yogurt, strawberries, wheat germ, and vanilla extract in container. Mix to desired consistency.

Fruit Smoothie

- ½ cup (125 ml) sliced fresh fruit
- ½ 8-ounce (115 g) carton vanilla or plain yogurt
- ½ cup (125 ml) milk
- 1 teaspoon (5 ml) honey
- ½ teaspoon (2.5 ml) vanilla extract (optional)

Place fruit, yogurt, milk, honey, and vanilla extract in container. Mix to desired consistency.

Protein Drink

- ¼ cup (60 ml) vanilla frozen yogurt or ice cream
- 1 cup (250 ml) milk
- ¼ ripe medium size banana, mashed
- 2 pecans, broken
- 1 teaspoon (5 ml) raw or toasted wheat germ
- 1 tablespoon (15 ml) protein powder

Place frozen yogurt or ice cream, milk, banana, pecans, wheat germ, and protein powder in container. Blend to desired consistency.

Milk Shakes

Always add liquid ingredients first then remaining ingredients. Start mixing on LOW then increase Speed to HIGH. Process to desired consistency, about 1 to 2 minutes.

Traditional Chocolate Malt Milkshake

- 1 scoop vanilla ice cream
- ¼ cup (60 ml) cold milk
- ½ teaspoon (2.5 ml) chocolate malt syrup

Place all ingredients into stainless steel container. Mix until desired consistency is reached. **Yield: 1 serving.**

Chocolate Covered Cherry Milkshake

- ½ cup (125 ml) cold milk
- 2 tablespoons (30 ml) chocolate syrup
- 1 scoop vanilla ice cream
- ¼ cup (60 ml) maraschino cherries (drained)

Place all ingredients into stainless steel container. Mix until desired consistency is reached. **Yield: 1 serving.**

S'More Shake

- ¼ cup (60 ml) milk
- 2 tablespoons (30 ml) marshmallow cream
- 1 tablespoon (15 ml) chocolate syrup
- ½ cup (125 ml) vanilla ice cream
- 1 graham cracker

In stainless steel container, combine milk, marshmallow creme, and chocolate syrup. Mix on High Speed until smooth. Break graham cracker into pieces. Place in stainless steel container and mix until desired consistency is reached. **Yield: 1 serving.**

Chocolate Milkshake

- ¼ cup (60 ml) cold milk
- 2 tablespoons (30 ml) chocolate syrup
- 2 scoops vanilla ice cream

Place all ingredients into stainless steel container. Mix until desired consistency is reached. Additional ice cream or milk may be added to achieve desired consistency. **Yield: 1 serving.**

Banana Milkshake

- 1 scoop vanilla ice cream
- ½ cup (125 ml) milk
- ½ banana, mashed

Place all ingredients into stainless steel container. Mix until desired consistency is reached. **Yield: 1 serving.**

Milk Shakes

Always add liquid ingredients first then remaining ingredients. Start mixing on LOW then increase Speed to HIGH. Process to desired consistency, about 1 to 2 minutes.

Chocolate Mint Mallow Milkshake

2 scoops chocolate ice cream
¼ cup (60 ml) cold milk
2 tablespoons (30 ml) marshmallow creme
2 tablespoons (30 ml) crushed peppermint candy pieces

Place all ingredients into stainless steel container. Mix until desired consistency is reached. **Yield: 1 serving.**

Creamy Orange Frosty Shake

2 scoops vanilla ice cream
1 cup (250 ml) orange juice

Place all ingredients into stainless steel container. Mix until desired consistency is reached. **Yield: 1 serving.**

PBC (Peanut Butter and Chocolate)

3 scoops vanilla ice cream
¾ cup (175 ml) milk
2 tablespoons (30 ml) peanut butter
2 tablespoons (30 ml) chocolate syrup

Place all ingredients into stainless steel container. Mix until desired consistency is reached. **Yield: 1 serving.**

Adult Coffee Shake

½ cup (125 ml) coffee flavored liqueur
½ cup (125 ml) milk
2 scoops vanilla ice cream

Place all ingredients into stainless steel container. Mix for 30 seconds or until desired consistency is reached. **Yield: 1 serving.**

Adult Mocha Shake

½ cup (125 ml) coffee flavored liqueur
½ cup (125 ml) milk
2 scoops chocolate ice cream

Place all ingredients into stainless steel container. Mix for 45 seconds or until desired consistency is reached. **Yield: 1 serving.**

Yogurt Shake

½ cup (125 ml) milk
½ cup (125 ml) vanilla frozen yogurt

Place milk and frozen yogurt or ice cream in container. Mix to desired consistency.

Milk Shakes

Always add liquid ingredients first then remaining ingredients. Start mixing on LOW then increase Speed to HIGH. Process to desired consistency, about 1 to 2 minutes.

Mocha Brownie Shake

2 scoops vanilla ice cream
 ¼ cup (60 ml) milk
 2 tablespoons (30 ml) instant cappuccino mix
 1 tablespoon (15 ml) chocolate syrup
 1 brownie, crumbled

Place all ingredients in container. Mix on high speed until desired consistency is reached. **Yield: 1 serving.**

Chocolate Strawberry Shake

2 scoops chocolate ice cream
 ¼ cup (60 ml) milk
 ¼ cup (60 ml) fresh strawberries, mashed
 2 tablespoons (30 ml) nuts in syrup
 Whipped cream (for garnish)
 Shaved chocolate (for garnish)

Place all ingredients in container. Mix on high speed until desired consistency is reached. Garnish with whipped cream and shaved chocolate **Yield: 2 servings.**

Chocolate Crunch Shake

3 scoops chocolate ice cream
 ½ cup (125 ml) milk
 2 tablespoons (30 ml) chocolate syrup
 2 chocolate cookies, crumbled

Place all ingredients in container. Mix on high speed until desired consistency is reached. **Yield: 2 servings.**

Raspberry Crunchy Shake

2 scoops vanilla ice cream
 ½ cup (125 ml) milk
 ¼ cup (60 ml) fresh raspberries
 2 tablespoons (30 ml) cookie pieces

Place all ingredients in container. Mix on high speed until desired consistency is reached. Garnish with raspberries.

Strawberry Milkshake

½ cup (125 ml) milk
 4 small strawberries
 2 scoops vanilla ice cream

Place milk, strawberries, and ice cream in container. Mix on high speed until smooth. Additional ice cream or milk may be added to achieve desired consistency.

Alcoholic Frozen Drinks

Always add liquid ingredients first then remaining ingredients. Start mixing on LOW then increase Speed to HIGH. Process to desired consistency, about 1 to 2 minutes.

Irish Cream Shake

¾ cup (175 ml) vanilla ice cream
2 tablespoons (30 ml) chocolate syrup
½ cup (125 ml) milk
Irish cream liqueur to taste

Place all ingredients into stainless steel container. Mix until desired consistency is reached. **Yield: 1 serving.**

Brandy Alexander

2 tablespoons (30 ml) crème de cacao
2 tablespoons (30 ml) brandy
1 cup (250 ml) vanilla ice cream

Place all ingredients into stainless steel container. Mix until desired consistency is reached. **Yield: 1 serving.**

Raspberry Margarita

2 ounces (60 ml) tequila
1 cup (250 ml) sweet and sour mix
2 ounces (60 ml) raspberry flavored liqueur

Place all ingredients into stainless steel container. Mix until desired consistency is reached. **Yield: 1 serving.**

Amaretto Smoothie

4 ounces (125 ml) Amaretto liqueur
4 ounces (125 ml) milk
½ cup (125 ml) vanilla ice cream

Place all ingredients into stainless steel container. Mix until desired consistency is reached. Pour into glass over ice. **Yield: 1 serving.**

Drunken Monkey

1 scoops vanilla ice cream
1 ounce (30 ml) coffee liqueur
1 ounce (30 ml) banana liqueur
¼ cup (60 ml) pineapple juice
1 tablespoon (30 ml) chocolate syrup

Place ice cream, coffee liqueur, banana liqueur, and pineapple juice into stainless steel container. Mix until desired consistency is reached. Drizzle chocolate syrup into bottom of glass. Pour into glass. **Yield: 1 serving.**

Frozen Grasshopper

1 ounce (30 ml) Crème de Menthe
1 ounce (30 ml) Crème de Cacao
1 cup (250 ml) vanilla ice cream

Place all ingredients into stainless steel container. Mix until desired consistency is reached. **Yield: 1 serving.**

Breakfast

Always add liquid ingredients first then remaining ingredients. Start mixing on LOW then increase Speed to HIGH. Process to desired consistency, about 1 to 2 minutes.

Mexican Cheese Omelet

3 eggs
2 ounces (50 g) Monterey Jack or Pepper Jack cheese, shredded
1 tablespoon (15 ml) water or milk
Salt and pepper to taste
1 teaspoon (5 ml) margarine or butter

Place eggs, cheese, water or milk, salt and pepper in stainless steel container. Mix on low speed about 10 seconds. Heat 1 teaspoon (5 ml) margarine or butter in skillet over medium heat. Pour omelet in skillet. Cook until set then flip over and cook until done. Fold and serve. **Yield: 1 omelet.**

Sunshine French Toast

2 eggs
2 tablespoons (30 ml) orange juice concentrate
¼ teaspoon (1.25 ml) cinnamon
1 teaspoon (5 ml) sugar
1 teaspoon (5 ml) vanilla
1 cup (250 ml) milk
8 slices bread

Combine all ingredients except bread slices in container. Process about 5 seconds. Pour mixture into shallow bowl. Dip bread slices in mixture. Melt a small pat of butter in skillet. Cook over medium heat about 2 minutes per side or until lightly brown. **Yield: 4 servings.**

Soup and Salsa

Chilled Strawberry Soup

1 cup (250 ml) frozen strawberries, thawed	¼ cup (60 ml) sour cream
1 cup (250 ml) milk	12 tablespoons (180 ml) white sugar or to taste
½ cup (125 ml) heavy cream	

Combine strawberries, milk, cream, and sour cream in stainless steel container and mix until desired consistency is reached. Mix in sugar to taste. Chill 8 hours overnight in refrigerator before serving.

Easy Salsa

8-ounce (225 g) can diced tomatoes, undrained	⅛ teaspoon (0,63 ml) cumin
1 teaspoon (5 ml) onion flakes	¼ of a 4 ounce can (25 g) green chiles, undrained
⅛ teaspoon (0,63 ml) minced garlic	Cilantro, to taste
½ teaspoon (2.5 ml) lime juice	Hot sauce, optional, to taste
⅛ teaspoon (0,63 ml) salt	

Place the tomatoes, onion, garlic, lime juice, salt, cumin, green chiles, cilantro, and hot sauce in container. Mix to desired consistency.

Cher propriétaire de mélangeur à boisson,

Félicitations pour votre achat. La Collection Hamilton Beach® Eclectrics™ ajoute une touche moderne à ces appareils électroménagers fiables, entièrement en métal, que vous vous rappelez d'hier.

Posséder un Hamilton Beach®, c'est posséder un morceau d'histoire. En 1904, Louis Hamilton et Chester Beach se sont associés pour amener dans les foyers américains des appareils électroménagers comme les aspirateurs, les machines à coudre et les mélangeurs. En l'honneur de leur 10ème anniversaire, nous avons réussi à construire pour durer, un appareil en métal du passé et à y ajouter le style d'aujourd'hui pour amener une qualité durable et du style dans votre cuisine.

Quand vous utiliserez votre appareil tout en métal, pensez à l'histoire qui l'a précédé. Profitez de la confiance que vous avez dans un produit soutenu par des années d'expérience et 3 années de garantie. Mais plus que tout, remplissez votre foyer de la senteur délicieuse des recettes maison que votre appareil électroménager vous aide à créer!

J'espère que vous profiterez de votre appareil Hamilton Beach® Eclectrics™ pendant de nombreuses années.

Sincèrement,



*Michael J. Morecroft
Président et PDG
Hamilton Beach/Proctor-Silex, Inc.*

Table des matières

Renseignements de garantie	17	Nettoyage de votre mélangeur à boisson	22
Précautions importantes	18	Recettes.....	23-31
Renseignements d'assistance et de service	19	<i>Yogourts fouettés/ Boissons aux fruits</i>	23
Pièces et caractéristiques	20	<i>Laits fouettés</i>	26
Utilisation de votre mélangeur à boisson	21	<i>Boissons alcoolisées glacées</i>	29
Conseils utiles sur votre mélangeur à boisson	22	<i>Petit déjeuners.....</i>	30
		<i>Soupes et salsas</i>	31

Garantie standard de trois ans

Félicitations! Vous êtes maintenant en possession de l'un des meilleurs mélangeurs à boisson. Notre confiance à l'égard de la qualité et de la conception de votre nouveau mélangeur à boisson est telle que nous assortissons votre achat d'une garantie de remplacement de 3 ans sans souci. En cas de dysfonctionnement de votre mélangeur à boisson dans les 3 ans suivant la date d'achat, l'appareil défectueux sera récupéré chez vous et un nouvel appareil vous sera remis sans frais. Voici comment cela fonctionne :

Conditions de la garantie	Pour bénéficier de la garantie	Hamilton Beach® s'engage à	Hamilton Beach® ne paiera pas pour
Trois ans à compter de la date de l'achat original pour les mélangeurs à boissons utilisés dans les États américains continentaux, en Alaska, à Hawaii et au Canada. Cette garantie ne s'applique qu'à l'acheteur d'origine.	1. Suivez les instructions de ce Manuel. Référez-vous à la section Conseils utiles si vous rencontrez le moindre problème pour faire fonctionner l'appareil. Si vous avez une question, appelez le Service à la clientèle dont les numéros se trouvent à la page 19. 2. Conservez la preuve d'achat. En cas de dysfonctionnement de l'appareil dans les 3 ans suivant l'achat, appelez l'un des numéros du Service à la clientèle se trouvant à la page 19.	1. Vous envoyer une étiquette prépayée pour l'expédition de votre appareil défectueux. 2. Vous livrer à domicile un appareil de rechange neuf.	Les vices du produit causés par l'abus, le mésusage, la négligence, l'usage à des fins commerciales ou tout autre usage non prescrit dans ce Manuel. LA PRÉSENTE GARANTIE REMPLACE TOUTE AUTRE GARANTIE OU CONDITION, EXPRESSE OU IMPLIQUÉE, ÉCRITE OU ORALE, CONTENANT TOUTE GARANTIE, GARANTIE LÉGALE OU CONDITION D'UTILISATION MARCHANDE OU DE CONVENANCE À UNE UTILISATION À DES FINS PARTICULIÈRES. TOUTE RESPONSABILITÉ EST EXPRESSÉMENT LIMITÉE À UN MONTANT ÉGAL AU PRIX D'ACHAT PAYÉ. TOUTES LES RÉCLAMATIONS POUR DOMMAGES SPÉCIAUX ET INDIRECTS SONT EXPRESSÉMENT EXCLUES.

PRÉCAUTIONS IMPORTANTES

Lors de l'utilisation d'appareils électromécaniques, des précautions d'usage doivent être respectées, y compris les consignes suivantes :

1. Lire toutes les instructions.
2. Pour se protéger contre le risque de choc électrique, ne pas immerger le cordon, la fiche ou le bloc moteur dans l'eau, ou autre liquide.
3. Assurer une surveillance étroite lorsque l'appareil est utilisé par des enfants ou dans leur voisinage.
4. Débrancher le cordon de la prise lorsque l'appareil ne sert pas, avant d'ajouter ou d'enlever des pièces et avant de le nettoyer.
5. Éviter le contact avec les pièces en mouvement.
6. Garder les mains, cheveux, vêtements ainsi que les spatules et autres ustensiles hors du contenant pour éviter les blessures ou l'endommagement du mélangeur.
7. Ne pas faire fonctionner un appareil présentant une fiche ou un cordon endommagé, après une défaillance, une chute ou encore après tout endommagement. Composer sans frais notre numéro de service à la clientèle pour tout renseignement sur la vérification, les réparations ou les réglages électriques ou mécaniques.
8. L'utilisation d'accessoires qui ne sont ni recommandés ni vendus par Hamilton Beach/Proctor-Silex, Inc. risque de provoquer un incendie, un choc électrique ou des blessures.
9. Ne pas utiliser à l'extérieur.
10. Ne pas laisser le cordon pendre du bord d'une table ou d'un comptoir, ni toucher des surfaces chaudes.
11. Ne jamais ajouter d'ingrédients au contenant pendant que l'appareil est en marche.
12. Le contenant doit être bien en place avant de faire fonctionner l'appareil.
13. Pour laver l'agitateur, débrancher le mélangeur et suivre les instructions de nettoyage fournies en page 4.
14. Ne pas utiliser cet appareil pour un usage autre que celui auquel il est destiné.

CONSERVER CES INSTRUCTIONS

Renseignements pour la sécurité du consommateur

Cet appareil est destiné à un usage domestique uniquement.

Cet appareil est muni d'une fiche polarisée. Ce type de fiche présente une broche plus large que l'autre. Par mesure de sécurité, la fiche peut être introduite dans une prise que dans un sens seulement. Il s'agit d'une caractéristique de sécurité visant à réduire le risque de choc électrique. Si la fiche ne peut pas être insérée dans la prise, contacter un électricien pour qu'il remplace la prise défectueuse. Ne pas essayer de contourner l'objectif de sécurité de la fiche polarisée en la modifiant de quelque manière que ce soit.

La longueur du cordon utilisé sur cet appareil a été choisie pour réduire le risque d'emmêlement ou de trébuchement posé par un cordon plus long. Si un cordon plus long est nécessaire, on peut utiliser un cordon de rallonge approuvé. La tension électrique du cordon doit être égale ou supérieure à celle du mélangeur à boisson. Il faut prendre soin d'arranger la rallonge de sorte qu'elle ne tombe pas du comptoir ou de la surface d'une table où elle peut être tirée par des enfants ou faire trébucher.

Assistance et service

Avant d'appeler pour obtenir de l'assistance

Veillez lire ces instructions avant de téléphoner :

- Il est possible que le mélangeur à boisson chauffe pendant l'utilisation. S'il est très chargé et si on l'utilise à plusieurs reprises pendant des périodes assez longues, il est possible que la base de l'appareil paraisse chaude au toucher. Ceci est normal.
- Il est possible qu'une odeur spéciale se dégage du mélangeur à boisson, particulièrement si celui-ci est neuf. Ceci arrive souvent avec les moteurs électriques.

Si votre mélangeur à boisson présente un défaut de fonctionnement ou ne fonctionne pas du tout, veuillez vérifier ce qui suit :

- Le mélangeur à boisson est-il bien branché?
- Le fusible situé dans le circuit relié au mélangeur à boisson fonctionne-t-il bien? Si vous possédez un boîtier-disjoncteurs, assurez-vous que le circuit est bien fermé.
- Si le problème ne correspond à aucun des cas mentionnés ci-dessus, contacter le Service à la clientèle.
- NE PAS rapporter le mélangeur à boisson chez le détaillant puisque ce dernier ne fournit pas d'assistance.

Service à la clientèle

Si vous avez une question au sujet du mélangeur à boisson, composez notre numéro sans frais du service à la clientèle. Avant de faire un appel, veuillez noter le numéro de modèle, de type, de série et inscrire ces renseignements ci-dessous. Ces numéros se trouvent à la base du mélangeur. Ces renseignements nous aideront à répondre beaucoup plus vite à toute question.

MODÈLE : _____ **TYPE :** _____ **SÉRIE :** _____

NUMÉRO DU SERVICE À LA CLIENTÈLE

Au Canada : 1-800-267-2826

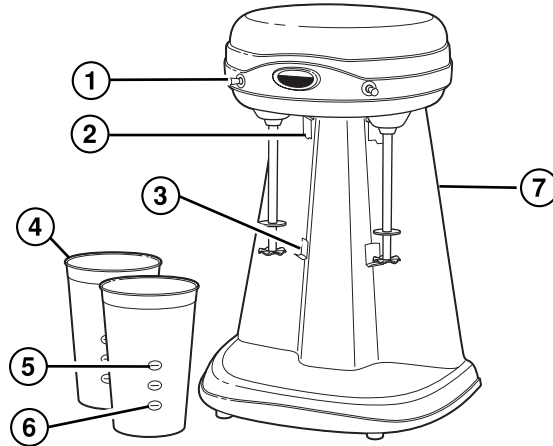
hamiltonbeach.com

hamiltonbeach.ca

CONSERVEZ CE NUMÉRO POUR RÉFÉRENCE ULTÉRIEURE !

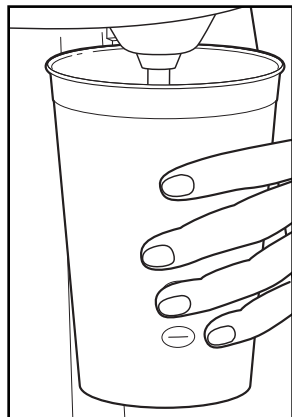
Pièces et caractéristiques

1. Commutateur
 - = ARRÊT
 - = FAIBLE
 - = ÉLEVÉ
2. Guide de récipient
3. Support de récipient
4. Récipient
5. Niveau maximum, 12 onces (350 ml)
6. Niveau minimum, 4 onces (125 ml)
7. Agitateur amovible



REMARQUE: Afin d'assurer une circulation d'air adéquate, il est recommandé de toujours laisser un espace minimum d'un pouce (2,5 cm) entre l'arrière du mélangeur à boisson et les autres surfaces, telles qu'un mur.

Utilisation de votre mélangeur à boisson



- 1. AVANT LA PREMIÈRE UTILISATION :** laver le récipient et l'agitateur avant l'utilisation. Voir Nettoyage.
- Régler le commutateur à **O** (arrêt). Brancher l'appareil sur une prise de courant.
- Placer les ingrédients à mélanger dans le récipient.
- Fixer le récipient au mélangeur à boisson en veillant à ce que le bord supérieur soit derrière le guide de récipient et que la base du récipient se trouve sur le support de récipient.
- Déplacer le commutateur sur la vitesse d'opération désirée. Commencer avec la vitesse basse puis passer à la vitesse élevée, si désiré.
- Pour de la crème glacée dure ou les laits fouettés très épais, retirer le récipient du guide et du support. En veillant à ce que l'agitateur reste immergé dans le mélange, déplacer le contenant autour de l'agitateur pour un mélange plus complet.
- Après avoir terminé, éteindre l'appareil en appuyant sur **O** (arrêt). Enlever le récipient.
- Verser le contenu du récipient et servir.

⚠ AVERTISSEMENT

Pièces mobiles

- Inspecter les accessoires avant chaque utilisation.
- Ne jamais utiliser d'accessoires fissurés, tordus ou endommagés.
- Ne jamais toucher aux pièces en mouvement.

Conseils utiles

- La plupart des boissons peuvent être mélangées en moins de deux minutes.
- On ne doit pas utiliser un fruit entier lors de la préparation de boisson aux fruits. Écraser ou réduire le fruit en purée puis l'ajouter et mélanger. Le fruit peut être coupé en rondelles si la présence de morceaux est souhaitée.
- Le récipient doit toujours être rempli au moins jusqu'au niveau minimum sinon le liquide n'atteindra pas l'agitateur. Lors du mélange de boissons claires telles que les boissons diètes en poudre, ne pas remplir au dessus du niveau maximum (12 onces/355 ml) sinon le liquide risque de déborder durant le mélange.
- Pour les meilleurs résultats, tous les ingrédients liquides devraient être aussi froids que possible. Les boissons à base de lait auront meilleur goût si le lait est froid. Plus le lait est froid plus la boisson sera épaisse et mousseuse.
- Tous les sirops et mélanges en poudre devraient être ajoutés juste avant de commencer le mélange pour les empêcher de descendre au fond du récipient.
- Le mélangeur à boisson ne concasse pas la glace. Pour les meilleurs résultats, utiliser de la glace concassée si la recette en fait la demande.

Nettoyage de votre mélangeur à boisson

1. Pour nettoyer l'agitateur amovible, mettre 8 onces (250 ml) d'eau tiède savonneuse dans le récipient en acier inoxydable. Placer le récipient sur le mélangeur à boisson. Régler le commutateur sur LOW pendant 30 secondes. Lorsque l'opération est finie, tourner l'appareil sur **O** (arrêt).
2. Répéter l'étape 1 avec de l'eau tiède uniquement pour rincer l'agitateur amovible.
3. Lorsque l'appareil est sur **O** (arrêt), débrancher l'appareil et essuyer avec un linge humide ou une éponge toute trace de savon et d'eau restant sur l'agitateur amovible.
4. Le récipient en métal doit être lavé dans de l'eau tiède savonneuse ou au lave-vaisselle.
5. Essuyer le mélangeur à boisson avec un linge ou une éponge humide. Ne pas utiliser de nettoyants abrasifs.

NE PAS IMMERGER L'APPAREIL DANS L'EAU OU AUTRE LIQUIDE.

Yogourts fouettés/ Boissons aux fruits

Verser d'abord les ingrédients liquides dans le récipient, puis le reste des ingrédients. Battre d'abord à vitesse minimale (1) puis augmenter à vitesse maximale (2). Actionner de 1 à 2 minutes, jusqu'à la consistance désirée.

Yogourt fouetté tout agrumes

¾ tasse (175 ml) de limonade
¼ tasse (60 ml) de yogourt au citron
½ tasse (125 ml) de sorbet à la lime

Mettre tous les ingrédients dans le récipient d'inox. Mélanger jusqu'à la consistance désirée. **Pour 1 personne.**

Yogourt fouetté aux bleuets

¼ tasse (60 ml) de yogourt nature
¼ banane, écrasée
¼ lb. (115 g) de bleuets surgelés, dégelés

Mettre tous les ingrédients dans le récipient d'inox. Mélanger jusqu'à la consistance désirée. **Pour 1 personne.**

Yogourt fouetté banane orange

½ tasse (125 ml) de jus d'orange
½ tasse (125 ml) de yogourt à la vanille
¼ tasse (60 ml) banane, écrasée

Mettre tous les ingrédients dans le récipient d'inox. Mélanger jusqu'à la consistance désirée. **Pour 1 personne.**

Fouetté nutritif

½ tasse (125 ml) de lait de soja
¼ banane biologique, écrasée
¼ tasse (60 ml) de fraises biologiques surgelées, dégelées
2 c. à thé (10 ml) de poudre protéinée

Mettre tous les ingrédients dans le récipient d'inox. Mélanger jusqu'à la consistance désirée. Servir froid. **Pour 1 personne.**

Yogourt fouetté à l'ananas et aux baies

6 oz (170 g) de yogourt à l'ananas faible en matières grasses
1 cuillerée (cuiller à crème glacée) de sorbet au citron
½ tasse (125 ml) de jus de canneberge
8 framboises fraîches

Mettre tous les ingrédients dans le récipient d'inox. Mélanger jusqu'à la consistance désirée. **Pour 1 personne.**

Yogourts fouettés/ Boissons aux fruits

Verser d'abord les ingrédients liquides dans le récipient, puis le reste des ingrédients. Battre d'abord à vitesse minimale (1) puis augmenter à vitesse maximale (2). Actionner de 1 à 2 minutes, jusqu'à la consistance désirée.

Yogourt fouetté orange glacée

¾ tasse (175 ml) de jus d'orange
2 cuillerées (cuiller à crème glacée) de crème glacée à la vanille

Mettre tous les ingrédients dans le récipient d'inox. Mélanger jusqu'à la consistance désirée. **Pour 1 personne.**

Yogourt fouetté tutti frutti

6 oz (170 g) de yogourt aux pêches faible en matières grasses
½ tasse (125 ml) de jus d'orange
2 fraises fraîches, écrasées
½ kiwi pelé et écrasé

Mettre tous les ingrédients dans le récipient d'inox. Mélanger jusqu'à la consistance désirée. **Pour 1 personne.**

Panaché fraise

3 cuillerées (cuiller à crème glacée) de yogourt glacé à la fraise
¾ tasse (175 ml) de soda gingembre (ginger ale)

Mettre tous les ingrédients dans le récipient d'inox. Mélanger jusqu'à la consistance désirée. **Pour 1 personne.**

Lait fouetté à l'orange

4 cuillerées (cuiller à crème glacée) de yogourt glacé à la vanille
⅓ tasse (80 ml) de jus d'orange
1 c. à thé (5 ml) d'essence de rhum
1 c. à table (15 ml) de jus de lime

Mettre tous les ingrédients dans le récipient d'inox. Mélanger jusqu'à la consistance désirée. **Pour 1 personne.**

Boisson mousseuse citron fraise

1 tasse (250 ml) de limonade froide
½ tasse (125 ml) de fraises surgelées entières

Mettre tous les ingrédients dans le récipient d'inox. Mélanger jusqu'à la consistance désirée. **Pour 1 personne.**

Yogourts fouettés/ Boissons aux fruits

Verser d'abord les ingrédients liquides dans le récipient, puis le reste des ingrédients. Battre d'abord à vitesse minimale (1) puis augmenter à vitesse maximale (2). Actionner de 1 à 2 minutes, jusqu'à la consistance désirée.

Lait fouetté des Tropiques

1 cuillerée (cuiller à crème glacée) de crème glacée à la pêche
5 c. à table (75 ml) de lait
1 c. à thé (5 ml) de grenadine (facultatif)
1 c. à thé (5 ml) d'ananas écrasé et son jus

Mettre tous les ingrédients dans le récipient d'innox. Mélanger jusqu'à la consistance désirée. **Pour 1 personne.**

Boisson santé

¼ tasse (60 ml) de jus d'ananas
¼ banane moyenne mûre, écrasée
½ 8 oz (115 g) de yogourt nature ou à la vanille
¼ tasse (60 ml) de fraises fraîches
1 c. à table (15 ml) de germe de blé
½ c. à thé (2.5 ml) d'extrait de vanille

Mettre tous les ingrédients dans le récipient. Mélanger jusqu'à la consistance désirée.

Yogourt fouetté aux fruits

½ tasse (125 ml) de fruits frais, tranchés
½ 8 oz (115 g) de yogourt nature ou à la vanille
½ tasse (125 ml) de lait
1 c. à thé (5 ml) de miel
½ c. à thé (2.5 ml) d'extrait de vanille (facultatif)

Mettre tous les ingrédients dans le récipient. Mélanger jusqu'à la consistance désirée.

Boisson protéinée

¼ tasse (60 ml) de yogourt glacé ou de crème glacée à la vanille
1 tasse (250 ml) de lait
¼ banane moyenne mûre, écrasée
2 pacanes en morceaux
1 c. à thé (5 ml) de germe de blé, nature ou rôti
1 c. à table (15 ml) de poudre protéinée

Mettre tous les ingrédients dans le récipient. Mélanger jusqu'à la consistance désirée.

Laits fouettés

Verser d'abord les ingrédients liquides dans le récipient, puis le reste des ingrédients. Battre d'abord à vitesse minimale (1) puis augmenter à vitesse maximale (2). Actionner de 1 à 2 minutes, jusqu'à la consistance désirée.

Lait malté fouetté au chocolat

1 cuillerée (cuiller à crème glacée) de yogourt glacé à la vanille
 ¼ tasse (60 ml) de lait froid
 ½ c. à thé (2.5 ml) de sirop de chocolat malté

Mettre tous les ingrédients dans le récipient d'inox. Mélanger jusqu'à la consistance désirée. **Pour 1 personne.**

Lait fouetté cerises et chocolat

½ tasse (125 ml) de lait froid
 2 c. à table (30 ml) de sirop de chocolat
 1 cuillerée (cuiller à crème glacée) de crème glacée à la vanille
 ¼ tasse (60 ml) de cerises au marasquin, égouttées

Mettre tous les ingrédients dans le récipient d'inox. Mélanger jusqu'à la consistance désirée. **Pour 1 personne.**

Lait fouetté... encore!

¼ tasse (60 ml) de lait
 2 c. à table (30 ml) de crème de guimauve
 1 c. à table (15 ml) de beurre d'arachides
 1 c. à table (15 ml) de sirop de chocolat
 ½ tasse (125 ml) de crème glacée à la vanille
 1 biscuit graham, en morceaux

Mettre le lait, la crème de guimauve, le beurre d'arachides, le sirop de chocolat et la crème glacée dans le récipient d'inox. Mélanger à vitesse maximale jusqu'à consistance onctueuse. Ajouter le biscuit graham et mélanger jusqu'à la consistance désirée. **Pour 1 personne.**

Lait fouetté au chocolat

¼ tasse (60 ml) de lait froid
 2 c. à table (30 ml) de sirop de chocolat
 2 cuillerées (cuiller à crème glacée) de crème glacée à la vanille

Mettre tous les ingrédients dans le récipient d'inox. Mélanger jusqu'à la consistance désirée. Ajouter de la crème glacée ou du lait, au goût, jusqu'à la consistance désirée. **Pour 1 personne.**

Lait fouetté à la banane

1 cuillerée (cuiller à crème glacée) de crème glacée à la vanille
 ½ tasse (125 ml) de lait
 ½ banane écrasée

Mettre tous les ingrédients dans le récipient d'inox. Mélanger jusqu'à la consistance désirée. **Pour 1 personne.**

Laits fouettés

Verser d'abord les ingrédients liquides dans le récipient, puis le reste des ingrédients. Battre d'abord à vitesse minimale (1) puis augmenter à vitesse maximale (2). Actionner de 1 à 2 minutes, jusqu'à la consistance désirée.

Lait fouetté chocolat menthe

2 cuillerées (cuiller à crème glacée) de crème glacée au chocolat
 ¼ tasse (60 ml) de lait froid
 2 c. à table (30 ml) de crème de guimauve
 2 c. à table (30 ml) de bonbons à la menthe poivrée, en morceaux

Mettre tous les ingrédients dans le récipient d'inox. Mélanger jusqu'à la consistance désirée. **Pour 1 personne.**

Fouetté glacé à l'orange

2 cuillerées (cuiller à crème glacée) de crème glacée à la vanille
 1 tasse (250 ml) de jus d'orange

Mettre tous les ingrédients dans le récipient d'inox. Mélanger jusqu'à la consistance désirée. **Pour 1 personne.**

Lait fouetté BAC (Beurre d'arachides et chocolat)

3 cuillerées (cuiller à crème glacée) de crème glacée à la vanille
 ¾ tasse (175 ml) de lait
 2 c. à table (30 ml) de beurre d'arachides
 2 c. à table (30 ml) de sirop de chocolat

Mettre tous les ingrédients dans le récipient d'inox. Mélanger jusqu'à la consistance désirée. **Pour 1 personne.**

Lait fouetté au café alcoolisé

½ tasse (125 ml) de liqueur de café
 ½ tasse (125 ml) de lait
 2 cuillerées (cuiller à crème glacée) de crème glacée à la vanille

Mettre tous les ingrédients dans le récipient d'inox. Mélanger 30 secondes ou jusqu'à la consistance désirée. **Pour 1 personne.**

Lait fouetté moka alcoolisé

½ tasse (125 ml) de liqueur de café
 ½ tasse (125 ml) de lait
 2 cuillerées (cuiller à crème glacée) de crème glacée au chocolat

Mettre tous les ingrédients dans le récipient d'inox. Mélanger 45 secondes ou jusqu'à la consistance désirée. **Pour 1 personne.**

Fouetté au lait et au yogourt

½ tasse (125 ml) de lait
 ½ tasse (125 ml) de yogourt glacé à la vanille

Mettre le lait et le yogourt glacé dans le récipient. Mélanger jusqu'à la consistance désirée.

Laits fouettés

Verser d'abord les ingrédients liquides dans le récipient, puis le reste des ingrédients. Battre d'abord à vitesse minimale puis augmenter à vitesse maximale. Actionner de 1 à 2 minutes, jusqu'à la consistance désirée.

Lait fouetté moka au brownie

2 cuillerées (cuiller à crème glacée) de crème glacée à la vanille
 ¼ tasse (60 ml) de lait
 2 c. à table (30 ml) de mélange de cappuccino instantané
 1 c. à table (15 ml) de sirop de chocolat
 1 brownie émietté

Mettre tous les ingrédients dans le récipient. Mélanger à vitesse maximale jusqu'à la consistance désirée. **Pour 1 personne.**

Lait fouetté fraises chocolat

2 cuillerées (cuiller à crème glacée) de crème glacée au chocolat
 ¼ tasse (60 ml) de lait
 ¼ tasse (60 ml) de fraises fraîches, écrasées
 2 c. à table (30 ml) de noix au sirop
 crème fouettée, pour décorer
 copeaux de chocolat, pour décorer

Mettre tous les ingrédients dans le récipient. Mélanger à vitesse maximale jusqu'à la consistance désirée. Décorer de crème fouettée et de copeaux de chocolat. **Pour 2 personnes.**

Fouetté croquant au chocolat

3 cuillerées (cuiller à crème glacée) de crème glacée au chocolat
 ½ tasse (125 ml) de lait
 2 c. à table (30 ml) de sirop de chocolat
 2 biscuits au chocolat émiettés

Mettre tous les ingrédients dans le récipient. Mélanger à vitesse maximale jusqu'à la consistance désirée. **Pour 2 personnes.**

Lait fouetté croquant aux framboises

2 2 cuillerées (cuiller à crème glacée) de crème glacée à la vanille
 ½ tasse (125 ml) de lait
 ¼ tasse (60 ml) de framboises fraîches
 2 c. à table (30 ml) de morceaux de biscuits

Mettre tous les ingrédients dans le récipient. Mélanger à vitesse maximale jusqu'à la consistance désirée. Décorer de framboises.

Lait fouetté aux fraises

½ tasse (125 ml) de lait
 4 petites fraises
 2 cuillerées (cuiller à crème glacée) de crème glacée à la vanille

Mettre le lait, les fraises et la crème glacée dans le récipient. Mélanger à vitesse maximale jusqu'à consistance onctueuse. Ajouter de la crème glacée ou du lait au besoin pour obtenir la consistance désirée.

Boissons alcoolisées glacées

Verser d'abord les ingrédients liquides dans le récipient, puis le reste des ingrédients. Battre d'abord à vitesse minimale (1) puis augmenter à vitesse maximale (2). Actionner de 1 à 2 minutes, jusqu'à la consistance désirée.

Lait fouetté à la crème irlandaise

$\frac{3}{4}$ tasse (175 ml) de crème glacée à la vanille
2 c. à table (30 ml) de sirop de chocolat
 $\frac{1}{2}$ tasse (125 ml) de lait
boisson à la crème irlandaise, au goût

Mettre tous les ingrédients dans le récipient d'inox. Mélanger jusqu'à la consistance désirée. **Pour 1 personne.**

Alexander

2 c. à table (30 ml) de crème de cacao
2 c. à table (30 ml) de brandy
1 tasse (250 ml) de crème glacée à la vanille

Mettre tous les ingrédients dans le récipient d'inox. Mélanger jusqu'à la consistance désirée. **Pour 1 personne.**

Margarita à la fraise

2 ounces (60 ml) de tequila
1 tasse (250 ml) de sweet and sour
2 ounces (60 ml) de liqueur de framboise

Mettre tous les ingrédients dans le récipient d'inox. Mélanger jusqu'à la consistance désirée. **Pour 1 personne.**

Lait fouetté amaretto

4 oz (125 ml) d'amaretto
4 oz (125 ml) de lait
 $\frac{1}{2}$ tasse (125 ml) de crème glacée à la vanille

Mettre tous les ingrédients dans le récipient d'inox. Mélanger jusqu'à la consistance désirée. Verser sur des cubes de glace. **Pour 1 personne.**

“Drunken Monkey”

1 cuillerée (cuiller à crème glacée) de crème glacée à la vanille
1 once (30 ml) de liqueur de café
1 once (30 ml) de liqueur de banane
 $\frac{1}{4}$ tasse (60 ml) de jus d'ananas
1 c. à table (30 ml) de sirop de chocolat

Mettre la crème glacée, la liqueur de café, la liqueur de banane et le jus d'ananas dans le récipient d'inox. Mélanger jusqu'à la consistance désirée. Verser le sirop de chocolat dans un verre puis remplir avec la boisson. **Pour 1 personne.**

Grasshopper glacé

1 oz (30 ml) de crème de menthe
1 oz (30 ml) de crème de cacao
1 tasse (250 ml) de crème glacée à la vanille

Mettre tous les ingrédients dans le récipient d'inox. Mélanger jusqu'à la consistance désirée. **Pour 1 personne.**

Petits déjeuners

Verser d'abord les ingrédients liquides dans le récipient, puis le reste des ingrédients. Battre d'abord à vitesse minimale puis augmenter à vitesse maximale. Actionner de 1 à 2 minutes, jusqu'à la consistance désirée.

Omelette mexicaine au fromage

3 œufs
2 oz (50 g) de Monterey Jack ou de Monterey Jack aux piments, râpé
1 c. à table (15 ml) eau ou lait
sel et poivre
1 c. à thé (5 ml) de beurre

Mettre tous les ingrédients dans le récipient d'inox. Mélanger à vitesse minimale environ 10 secondes. Faire fondre 1 c. à thé (5 ml) de beurre ou de margarine dans une poêle, à feu moyen. Verser le mélange dans la poêle. Laisser prendre puis retourner et poursuivre la cuisson jusqu'à ce que l'omelette soit cuite. Plier et servir.

Pour 1 personne.

Pain doré du matin

2 œufs
2 c. à table (30 ml) de jus d'orange concentré
¼ c. à thé (1.25 ml) de cannelle
1 c. à thé (5 ml) de sucre
1 c. à thé (5 ml) d'extrait de vanille
1 tasse (250 ml) de lait
8 tranches de pain
beurre

Mettre tous les ingrédients, sauf le pain, dans le récipient. Mélanger environ 5 secondes. Verser le mélange dans un bol peu profond et y tremper les tranches de pain. Dans une poêle, faire fondre une petite quantité de beurre. Cuire les tranches à feu moyen environ 2 minutes de chaque côté, ou jusqu'à ce que le pain soit doré. **Pour 4 personnes.**

Soupes et salsas

Soupe froide aux fraises

1 tasse (250 ml) de fraises surgelées
1 tasse (250 ml) de lait
½ tasse (125 ml) de crème à 35 %
¼ tasse (60 ml) de crème sure
12 c. à table (180 ml) de sucre (ou au goût)

Mettre les fraises, le lait, la crème et la crème sure dans le récipient d'inox et mélanger jusqu'à la consistance désirée. Ajouter le sucre et mélanger. Réfrigérer 8 heures ou jusqu'au lendemain avant de servir.

Salsa toute simple

8 oz (225 g) de tomates en dés, non égouttées
1 c. à thé (5 ml) de flocons d'oignon
⅛ c. à thé (0,63 ml) d'ail émincé
½ c. à thé (2.5 ml) de jus de lime
⅛ c. à thé (0,63 ml) de sel
⅛ c. à thé (0,63 ml) de cumin
1 oz (25 g) piments verts en boîte, non égouttés
coriandre fraîche, hachée
sauce aux piments forts, au goût (facultatif)

Mettre les tomates, les flocons d'oignon, l'ail, le jus de lime, le sel, le cumin, les piments verts, la coriandre et la sauce aux piments forts dans le récipient. Mélanger jusqu'à la consistance désirée.

Estimado Propietario de la Fuente de Sodas:

Felicitaciones por la compra que ha realizado. La Colección Hamilton Beach® Eclectrics™ brinda un toque moderno a aquellos confiables electrodomésticos totalmente hechos en metal que nos traen recuerdos del pasado.

Tener un Hamilton Beach® es como poseer una pieza histórica. En 1904, Louis Hamilton y Chester Beach se asociaron para llevar a los hogares estadounidenses electrodomésticos con motor, tales como aspiradoras, máquinas de coser y batidoras. Para rendir homenaje a su legado de cien años, hemos combinado la fabricación de metal "construida para durar" del pasado con el estilo de hoy a fin de llevar a su cocina calidad y estilo duraderos.

Mientras utiliza su electrodoméstico totalmente fabricado en metal, piense sobre la historia que lo precede. Disfrute de la confianza que genera un producto concebido durante años de experiencia y que posee una garantía de 3 años. Pero principalmente, ¡llene su hogar de los deliciosos aromas de recetas hechas en casa que su electrodoméstico le ayudará a crear!

Espero que disfrute del electrodoméstico Hamilton Beach® Eclectrics™ durante muchos años venideros.

Atentamente,



*Michael J. Morecroft
Presidente y CEO
Hamilton Beach/Proctor-Silex, Inc.*

Table of Contents

Información sobre la garantía	33	Piezas y características	37
Salvaguardias importantes	35	Cómo usar su fuente de sodas	38
Información sobre la asistencia y el servicio	36	Consejos para la fuente de sodas	39
		Limpieza de su fuente de sodas	39

Hamilton Beach

Proctor Silex

Grupo HB PS, S.A. de C.V.
Monte Elbruz No. 124 Int. 601
Col. Palmitas Polanco
México, D.F. C.P. 11560
Tel. 52 82 31 05 y 52 82 31 06
Fax. 52 82 3167

PÓLIZA DE GARANTÍA

PRODUCTO:		MARCA:	Hamilton Beach: <input type="checkbox"/> Proctor-Silex: <input type="checkbox"/>	MODELO:	
<p>Hamilton Beach/Proctor-Silex cuenta con una Red de Centros de Servicio Autorizada, por favor consulte en la lista anexa el nombre y dirección de los establecimientos en la República Mexicana en donde usted podrá hacer efectiva la garantía, obtener partes, componentes, consumibles y accesorios; así como también obtener servicio para productos fuera de garantía. Para mayor información llame sin costo: Centro de Atención al consumidor: 01 800 71 16 100</p>					
<p>Grupo HB PS, S.A. de C.V. le otorga a partir de la fecha de compra: GARANTÍA DE 3 AÑOS.</p>					
COBERTURA					
<ul style="list-style-type: none"> • Esta garantía ampara, todas las piezas y componentes del producto que resulten con defecto de fabricación incluyendo la mano de obra. • Grupo HB PS, S.A. de C.V. se obliga a reemplazar, reparar o reponer, cualquier pieza o componente defectuoso; proporcionar la mano de obra necesaria para su diagnóstico y reparación, todo lo anterior sin costo adicional para el consumidor. • Esta garantía incluye los gastos de transportación del producto que deriven de su cumplimiento dentro de su red de servicio. 					
LIMITACIONES					
<ul style="list-style-type: none"> • Esta garantía no ampara el reemplazo de piezas deterioradas por uso o por desgaste normal, como son: cuchillas, vasos, jarras, filtros, etc. • Grupo HB PS, S.A. de C.V. no se hace responsable por los accidentes producidos a consecuencia de una instalación eléctrica defectuosa, ausencia de toma de tierra, clavija de enchufe en mal estado, etc. 					
EXCEPCIONES					
<p>Esta garantía no será efectiva en los siguientes casos:</p> <ol style="list-style-type: none"> a) Cuando el producto se hubiese utilizado en condiciones distintas a las normales. (Uso industrial, semi-industrial o comercial.) b) Cuando el producto no hubiese sido operado de acuerdo con el instructivo de uso. c) Cuando el producto hubiese sido alterado o reparado por personas no autorizadas por Grupo HB PS, S.A. de C.V. <p style="padding-left: 40px;">el fabricante nacional, importador o comercializador responsable respectivo.</p> <p>El consumidor puede solicitar que se haga efectiva la garantía ante la propia casa comercial donde adquirió su producto, siempre y cuando Grupo HB PS, S.A. de C.V. no cuente con talleres de servicio.</p>					

PROCEDIMIENTO PARA HACER EFECTIVA LA GARANTÍA

- Para hacer efectiva la garantía no deben exigirse mayores requisitos que la presentación del producto y la póliza correspondiente, debidamente sellada por el establecimiento que lo vendió.
- Para hacer efectiva la garantía, lleve su aparato al Centro de Servicio Autorizado más cercano a su domicilio (consulte la lista anexa).
- Si no existe Centro de Servicio Autorizado en su localidad siga las siguientes instrucciones:
 1. Empaque su producto adecuadamente para que no se dañe durante el traslado.
 2. Anote claramente sus datos y los del Centro de Servicio al que está enviando el producto.
 3. No incluya partes sueltas ni accesorios para evitar su pérdida.
- El tiempo de reparación, en ningún caso será mayor de 30 días naturales contados a partir de la fecha de recepción del producto en nuestros Centros de Servicio Autorizados.
- En caso de que el producto haya sido reparado o sometido a mantenimiento y el mismo presente deficiencias imputables al autor de la reparación o del mantenimiento dentro de los treinta días naturales posteriores a la entrega del producto al consumidor, éste tendrá derecho a que sea reparado o mantenido de nuevo sin costo alguno. Si el plazo de la garantía es superior a los treinta días naturales, se estará a dicho plazo.
- El tiempo que duren las reparaciones efectuadas al amparo de la garantía no es computable dentro del plazo de la misma. Cuando el bien haya sido reparado se iniciará la garantía respecto de las piezas repuestas y continuará con relación al resto. En el caso de reposición del bien deberá renovarse el plazo de la garantía.

DÍA ___ MES ___ AÑO ___		Si desea hacer comentarios o sugerencias con respecto a nuestro servicio o tiene alguna queja derivada de la atención recibida en alguno de nuestros Centros de Servicio Autorizados, por favor dirigirse a: GERENCIA INTERNACIONAL DE SERVICIO (DIMLSA) Prol. Av. La Joya s/n. Esq. Av. San Antonio Col. El Infiernillo C.P. 54878 Cuautitlán, Edo de México Tel. (55) 58 99 62 42 • Fax. (55) 58 70 64 42 Centro de Atención al consumidor: 01 800 71 16 100
----------------------------	--	---

RED DE CENTROS DE SERVICIO AUTORIZADA GRUPO HB PS, S.A. DE C.V.**Distrito Federal**

ELECTRODOMÉSTICOS
 Av. Plutarco Elias Cailles No. 1499
 Zacahuitzco MEXICO 09490 D.F.
 Tel: 01 55 5235 2323
 Fax: 01 55 5243 1397

CASA GARCIA
 Av. Patriotismo No. 875-B
 Mixcoac MEXICO 03910 D.F.
 Tel: 01 55 5563 8723
 Fax: 01 55 5615 1856

Nuevo Leon

FERNANDO SEPULVEDA
REFACCIONES
 Ruperto Martínez No. 238 Ote.
 Centro MONTERREY, 64000 N.L.
 Tel: 01 81 8343 6700
 Fax: 01 81 8344 0486

Jalisco

REF. ECONÓMICAS DE
OCCIDENTE,
S.A. DE C.V.
 Garibaldi No. 1450
 Ladrón de Guevara
 GUADALAJARA 44660 Jal.
 Tel: 01 33 3825 3480
 Fax: 01 33 3826 1914

Chihuahua

DISTRIBUIDORA TURMIX
 Av. Paseo Triunfo de la Rep. No.
 5289 Local 2 A.
 Int. Hipermart
 Alamos de San Lorenzo
 CD. JUAREZ 32340 Chih.
 Tel: 01 656 617 8030
 Fax: 01 656 617 8030

SALVAGUARDIAS IMPORTANTES

Cuando use electrodomésticos, siempre se deben seguir las precauciones básicas de seguridad, incluyendo las siguientes:

1. Lea todas las instrucciones.
2. Verifique que el voltaje de su instalación corresponda con el del aparato.
3. Para protegerse del riesgo de descargas eléctricas, no sumerja la base, motor, cable o enchufe en agua u otro líquido.
4. Cuando los niños estén cerca de cualquier aparato eléctrico o lo estén usando, es necesaria una supervisión muy estricta.
5. Desenchufe el cable del tomacorriente cuando no esté en uso, antes de colocar o retirar piezas y antes de limpiar el aparato.
6. Evite el contacto con piezas en movimiento.
7. Mantenga las manos, el pelo, la vestimenta así como las espátulas y otros utensilios fuera del recipiente con el fin de prevenir lesiones personales o daños a la batidora.
8. No opere ningún aparato con el cable o enchufe dañado o después de que el aparato haya dejado de funcionar bien o se haya caído o dañado en alguna otra forma. Llame a nuestro número gratuito de servicio al cliente para obtener información respecto a su revisión, reparación o ajuste eléctrico o mecánico.
9. El uso de accesorios no recomendados o vendidos por Hamilton Beach/Proctor-Silex, Inc. puede causar incendio, descarga eléctrica o lesiones.
10. No use el aparato al aire libre.
11. No deje colgar el cable sobre el borde de la mesa o mostrador, ni que toque superficies calientes.
12. Nunca añada ingredientes al recipiente mientras el aparato está funcionando.
13. El recipiente debe estar colocado correctamente en su lugar antes de operar el aparato.
14. Para lavar la flecha mezcladora, desenchufe la fuente de sodas y siga las instrucciones de limpieza suministradas en la página 39.
15. No use este aparato para fines diferentes al diseñado.

GUARDE ESTAS INSTRUCCIONES

Información para la seguridad del consumidor

Este aparato está destinado sólo para uso doméstico.

Este aparato podría estar equipado con un cable trifilar con conexión a tierra (enchufe de 3 puntas). Este tipo de enchufe encajará solamente en un tomacorriente hecho para un enchufe de 3 puntas. Esta es una característica de seguridad diseñada para reducir el riesgo de choque eléctrico. Si el enchufe no encaja, comuníquese con un electricista competente para cambiar el tomacorriente obsoleto. No trate de hacer caso omiso del propósito de seguridad de la clavija a tierra modificando el enchufe de alguna manera.

El largo total del cable que se utiliza con este aparato se eligió para reducir el riesgo de enredarse o tropezarse con él, riesgo que se presentaría si fuera más largo. Si es necesario un cable más largo, puede utilizarse un cable de extensión aprobado. La clasificación eléctrica nominal del cable de extensión deberá ser igual o mayor que la de la fuente de sodas. Se debe tener cuidado en acomodar el cable de extensión de manera que no cuelgue por el borde de la mesa o mostrador y que los niños no puedan tirar de él o tropezarse accidentalmente.

Información acerca de la asistencia y el servicio

Antes de llamar para solicitar asistencia

Sírvase leer antes de llamar:

- Es posible que la fuente de sodas se caliente durante el uso. Bajo períodos de un uso intenso y tiempos de licuado largos, la base de la unidad puede sentirse tibia al tacto. Esto es normal.
- Es posible que la fuente de sodas emita olor, especialmente siendo nueva. Esto es común con los motores eléctricos.

Si su fuente de sodas no funciona bien o no funciona, sírvase verificar lo siguiente:

- ¿Está enchufada la fuente de sodas?
- ¿Está el fusible en el circuito a la fuente de sodas en el orden correcto? Si tiene una caja de cortacircuitos, asegúrese de que el circuito esté cerrado.
- Si el problema no se debe a ninguno de los puntos mencionados arriba, vea la información acerca del Servicio al cliente.
- NO devuelva la fuente de sodas al comerciante, ya que éste no otorga servicio.

Información acerca del servicio al cliente

Si usted tiene alguna pregunta acerca de su fuente de sodas, llame a nuestro número gratuito de servicio al cliente. Antes de llamar, anote por favor los números de modelo, tipo y serie y llene esa información debajo. Estos números se pueden encontrar en la parte inferior de su fuente de sodas. Esta información nos ayudará a contestar a su pregunta con mucha más rapidez.

MODELO: _____ **TIPO:** _____ **SERIE:** _____

NÚMERO DE SERVICIO AL CLIENTE

México : 01-800-71-16-100

hamiltonbeach.com.mx

¡GUARDE ESTE NÚMERO PARA REFERENCIA FUTURA!

Piezas y características

1. Interruptor de control

○ = APAGADO

● = BAJA

● = ALTA

2. Soporte del recipiente

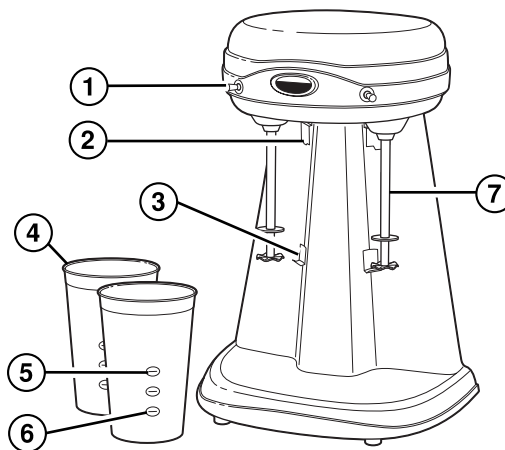
3. Base para el recipiente

4. Recipiente

5. Nivel máximo, 12 onzas (350 ml)

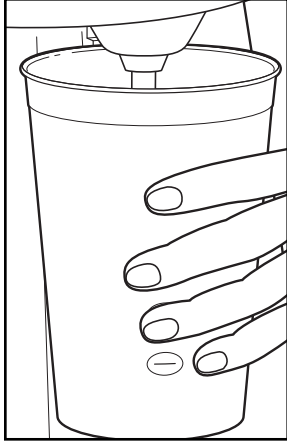
6. Nivel mínimo, 4 onzas (125 ml)

7. Flecha mezcladora



NOTA: Para una ventilación correcta, siempre deje una pulgada de espacio como mínimo entre la parte posterior de la fuente de sodas y otra superficie como una pared.

Cómo usar su fuente de sodas



- 1. ANTES DEL PRIMER USO:** Lave el recipiente y la flecha mezcladora antes del primer uso. Vea la sección Limpieza.
- 2.** Fije el interruptor de control en **O** (APAGADO). Enchufe en el tomacorriente.
- 3.** Coloque los ingredientes que desea mezclar en el recipiente.
- 4.** Acomode el recipiente en la fuente de sodas, cerciorándose de que el borde superior del recipiente esté detrás del soporte del mismo, y el asiento del recipiente descance sobre su base.
- 5.** Mueva el interruptor de control hacia la velocidad deseada para procesar. Comience con la velocidad baja y luego aumente a la velocidad alta, si lo desea.
- 6.** Para helados duros o batidos muy espesos retire el recipiente del soporte y de la base. Con la flecha mezcladora aún sumergida en la mezcla, haga girar el recipiente alrededor de la flecha para mezclar más vigorosamente.
- 7.** Al terminar, gire la unidad a **O** (APAGADO). Retire el recipiente
- 8.** Vierta el contenido del recipiente y sirva.

ADVERTENCIA

Partes en movimiento

- Inspeccione los accesorios antes de cada uso.
- No use accesorios agrietados, torcidos o dañados.
- No toque las partes en movimiento.

Consejos para la fuente de sodas

- La mayoría de las bebidas se pueden mezclar en menos de 2 minutos.
- No se deben utilizar las frutas enteras al preparar bebidas de fruta. Primero triture la fruta o hágala puré; agréguela a la bebida y mézclela. Si desea pedazos grandes, puede tajar la fruta.
- Siempre se debe llenar el recipiente por lo menos hasta la marca del nivel mínimo o el líquido no alcanzará la flecha mezcladora. No sobrepase la marca del nivel máximo 12 onzas (350 ml) o el líquido se derramará al mezclar.
- Para lograr mejores resultados, todos los ingredientes líquidos deben estar lo más fríos que sea posible. Las bebidas con leche sabrán mejor si la leche está muy fría. En cuanto más fría la leche, más espesa y espumosa resultará la bebida.
- Todo jarabe y mezclas en polvo se deben agregar justo antes de mezclar para evitar que se vayan al fondo del recipiente.
- La fuente de sodas no tritura hielo. Para obtener mejores resultados, utilice hielo triturado cuando la receta pida hielo.

Limpieza de su fuente de sodas

1. Para limpiar la flecha mezcladora, coloque 8 onzas (250 ml) de agua tibia y jabonosa en el recipiente de acero inoxidable. Coloque el recipiente en la fuente de sodas. Fije el interruptor de control en la velocidad BAJA (LOW) por 30 segundos. Cuando haya terminado, gire la unidad a **O** (APAGADO).
2. Repita el paso 1 con agua tibia solamente para enjuagar la flecha mezcladora.
3. Con la unidad girada hacia **O** (APAGADO), desenchúfela y limpie el resto de jabón y agua de la flecha mezcladora con un paño o esponja húmedo.
4. El recipiente metálico para mezclar también se debe lavar con agua tibia o en el lavavajillas.
5. Limpie la fuente de sodas con un paño húmedo o esponja. No use productos de limpieza abrasivos de ningún tipo.
NO SUMERJA EL APARATO EN AGUA NI EN NINGÚN OTRO LÍQUIDO.

Modelos:	Tipo:	Características Eléctricas:
60110	DM04	120 V~ 60 Hz 200 W
60111	DM04	120 V~ 60 Hz 200 W
60114	DM04	120 V~ 60 Hz 200 W

Los números de modelo también pueden estar seguidos del sufijo "MX".

HAMILTON BEACH  PROCTOR-SILEX, INC.

263 Yadkin Road
Southern Pines, North Carolina 28387

840141900

hamiltonbeach.com
hamiltonbeach.com.mx

PROCTOR-SILEX CANADA, INC.

Picton, Ontario K0K 2T0

10/05

Free Manuals Download Website

<http://myh66.com>

<http://usermanuals.us>

<http://www.somanuals.com>

<http://www.4manuals.cc>

<http://www.manual-lib.com>

<http://www.404manual.com>

<http://www.luxmanual.com>

<http://aubethermostatmanual.com>

Golf course search by state

<http://golfingnear.com>

Email search by domain

<http://emailbydomain.com>

Auto manuals search

<http://auto.somanuals.com>

TV manuals search

<http://tv.somanuals.com>