

**READ BEFORE USE**  
**LIRE AVANT UTILISATION**  
**LEA ANTES DE USAR**

Visit [hamiltonbeach.com](http://hamiltonbeach.com) for delicious recipes, tips, and to register your product online!



Consultez [hamiltonbeach.ca](http://hamiltonbeach.ca) pour de délicieuses recettes, des conseils pratiques et pour enregistrer votre produit !

¡Visite [hamiltonbeach.com.mx](http://hamiltonbeach.com.mx) para recetas deliciosas, consejos, y para registrar su producto en línea!

**Questions?**

Please call us – our friendly associates are ready to help.  
USA: 1.800.851.8900

**Questions ?**

N'hésitez pas à nous appeler – nos associés s'empresseront de vous aider.  
CAN : 1.800.267.2826

**¿Preguntas?**

Por favor llámenos – nuestros amables representantes están listos para ayudar.  
MEX: 01 800 71 16 100

*Le invitamos a leer cuidadosamente este instructivo antes de usar su aparato.*

**Hamilton  
Beach®**

*Stay or Go™  
Thermal Coffeemaker  
Cafetière à carafe thermique  
Cafetera de Jarra Térmica*



English .....	2
Français .....	14
Español .....	27

# IMPORTANT SAFEGUARDS

When using electrical appliances, basic safety precautions should always be followed to reduce the risk of fire, electric shock, and/or injury to persons, including the following:

1. Read all instructions.
2. Do not touch hot surfaces. Use handles or knobs. Care must be taken, as burns can occur from touching hot parts or from spilled, hot liquid.
3. To protect against electric shock, do not place cord, plug, or coffeemaker in water or other liquid.
4. Close supervision is necessary when any appliance is used by or near children.
5. Unplug from outlet by firmly grasping the plug when either the coffeemaker or clock is not in use and before cleaning. Allow to cool before putting on or taking off parts and before cleaning the appliance.
6. Coffeemaker must be operated on a flat surface away from the edge of counter to prevent accidental tipping.
7. Do not operate any appliance with a damaged cord or plug, or after the appliance malfunctions or is dropped or damaged in any manner. Call our toll-free customer service number for information on examination, repair, or adjustment.
8. The use of accessory attachments not recommended by the appliance manufacturer may cause injuries.
9. Do not use outdoors.
10. Do not let cord hang over edge of table or counter or touch hot surfaces, including stove.
11. The carafe is designed for use with this coffeemaker. It must never be used on a range top or in a microwave or conventional oven.
12. Do not use carafe with loose or weakened handle.
13. To avoid accidents, do not pour in direction of people.
14. Be certain carafe lid is securely in place during brew cycle and when pouring coffee. Do not use force when placing lid on carafe.
15. To disconnect coffeemaker, turn controls to OFF and then remove plug from wall outlet.
16. Do not place coffeemaker on or near a hot gas or electric burner or in a heated oven.
17. **WARNING:** To reduce the risk of fire or electric shock, do not remove the bottom cover. No user-serviceable parts are inside. Repair should be done by authorized service personnel only.
18. Do not use appliance for other than intended use.

## SAVE THESE INSTRUCTIONS!

### Other Consumer Safety Information

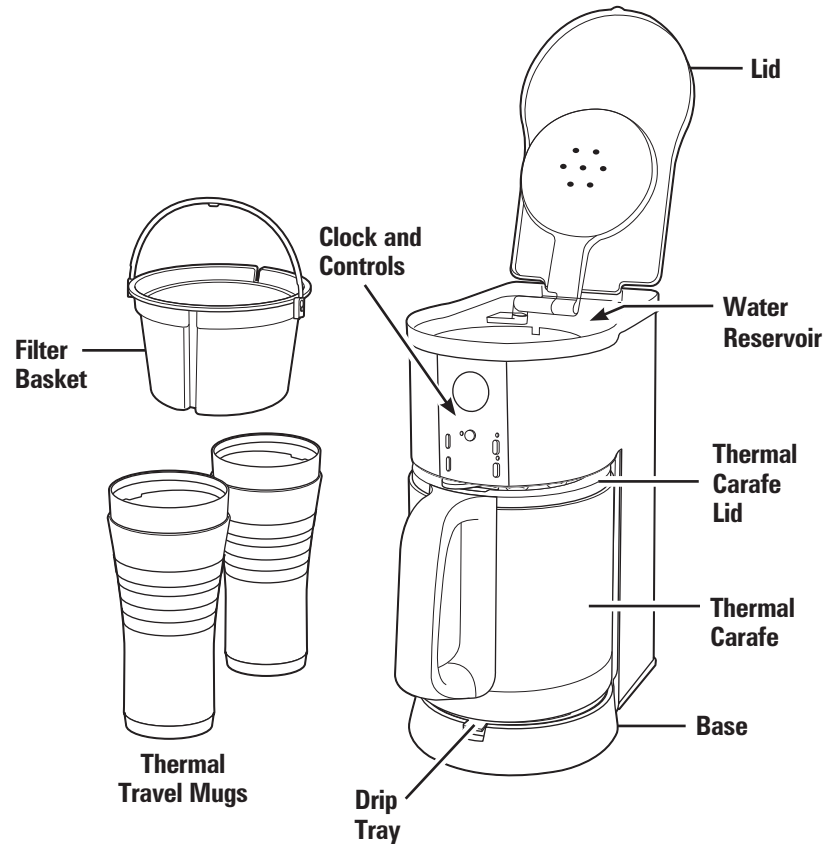
**This appliance is intended for household use only.**

**WARNING!** Shock Hazard: This appliance has a polarized plug (one wide blade) that reduces the risk of electric shock. The plug fits only one way into a polarized outlet. Do not defeat the safety purpose of the plug by modifying the plug in any way or by using an adapter. If the plug does not fit fully into the outlet, reverse the plug. If it still does not fit, have an electrician replace the outlet.

The length of the cord used on this appliance was selected to reduce the hazards of becoming tangled in or tripping over a longer cord. If a longer cord is necessary, an approved extension cord may be used. The electrical rating of the extension cord must be equal to or greater than the rating of the appliance. Care must be taken to arrange the extension cord so that it will not drape over the counter-top or tabletop where it can be pulled on by children or accidentally tripped over.

To avoid an electrical circuit overload, do not use another high-wattage appliance on the same circuit with this appliance.

## Parts and Features



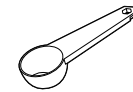
## Optional Accessories



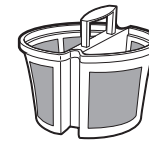
Gold-Tone  
Permanent  
Coffee Filter



Water Filter



Coffee Scoop



Nylon Mesh  
Split-Filter  
Basket

**NOTE:** Staining of the nylon mesh split-filter basket is normal and does not affect product performance.

To Order, Call:

1-800-851-8900 (U.S.) • 1-800-267-2826 (Canada)

01-800-71-16-100 (Mexico)

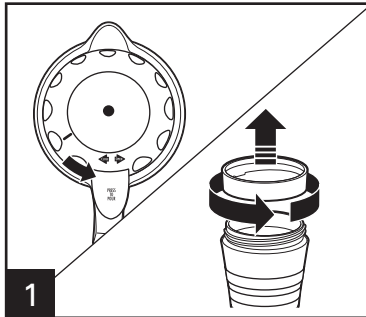
or visit [hamiltonbeach.com](http://hamiltonbeach.com)

# How to Make Coffee

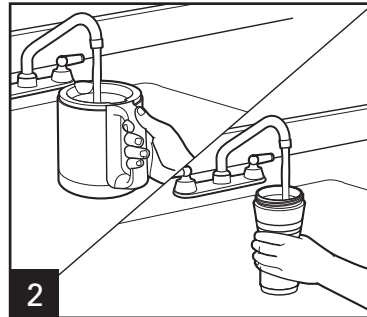
## Coffee Usage Chart:

- 1 scoop\* or level Tablespoon ground coffee per cup
- 3 scoops\* or level Tablespoons ground coffee per travel mug

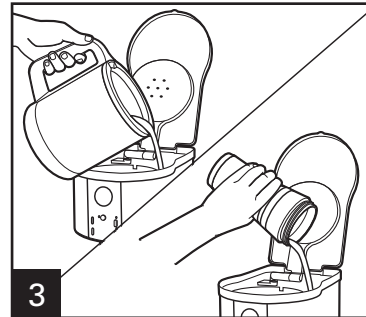
\*Coffee scoop and permanent filters are optional accessories on select models.



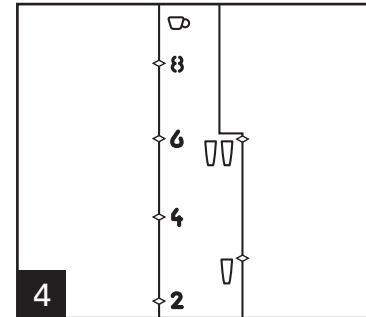
1 Remove thermal carafe lid or lid of thermal travel mug.



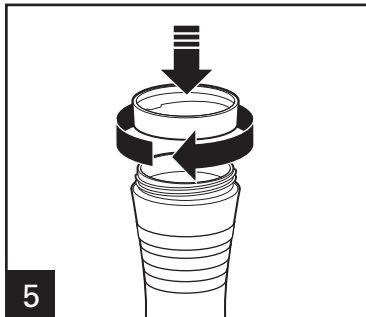
2



3

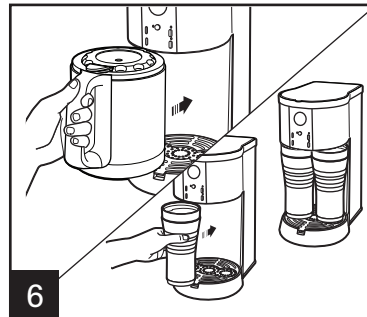


4 **WARNING:** Do not fill beyond for brewing one mug or for brewing two mugs. Hot overflowing coffee is a burn hazard.

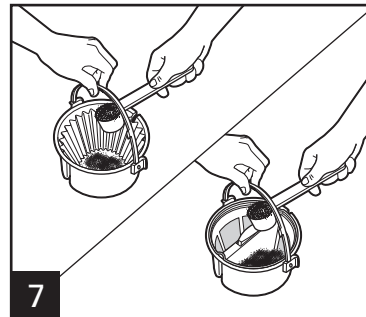


5 Replace lids on travel mugs. Coffee will brew directly into the lid opening and stay hotter.

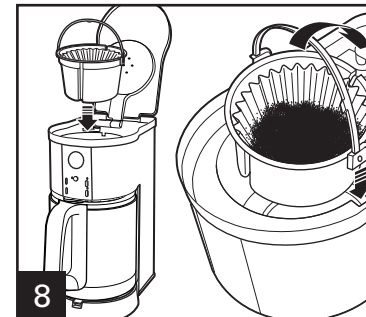
4



6 Brew one mug in center, two mugs side by side.



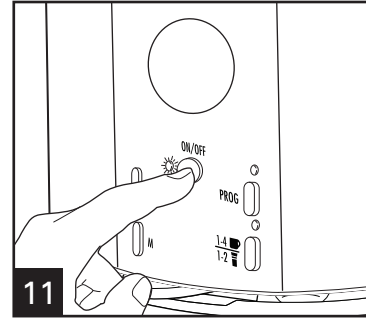
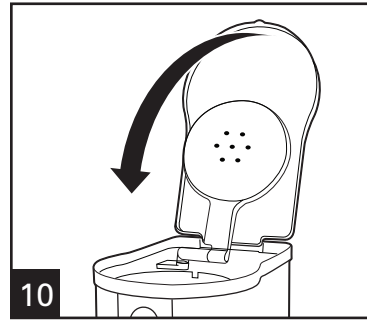
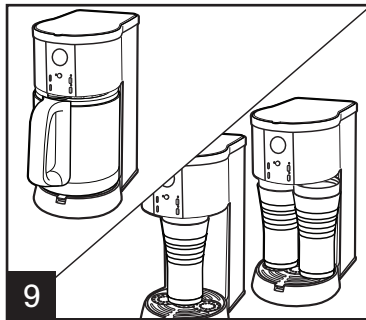
7 Paper filter, optional permanent filter, or nylon mesh split-filter basket may be used.



8 Lock filter basket into place. **IMPORTANT:** Lid will not close all the way if filter basket handle is not locked securely into place.

## How to Make Coffee (cont.)

**WARNING:** Do not remove carafe or thermal travel mugs until light goes out. If coffeemaker overflows, allow the unit, coffee, and grounds to cool before cleaning the unit, coffee, or grounds.



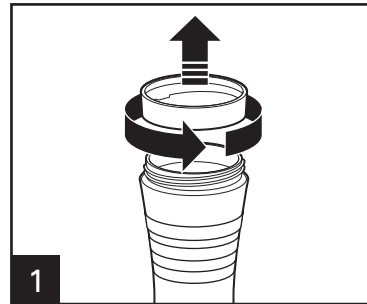
Press  $\frac{1}{2}$  cup to brew coffee in thermal travel mugs or for stronger coffee flavor. Coffeemaker will shut off immediately after brewing.

# Using the Nylon Mesh Split-Filter Basket

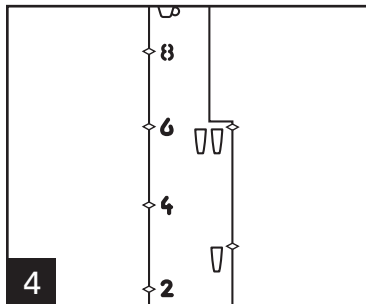
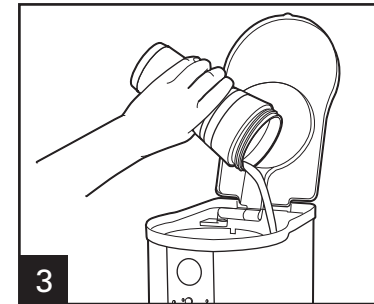
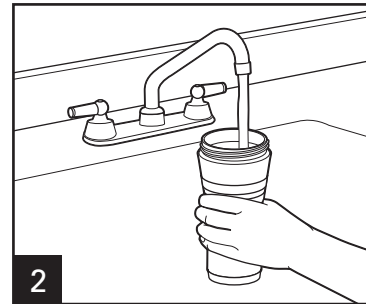
(optional accessory on select models)


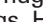
The nylon mesh split-filter basket allows you to brew two different types of hot beverages at the same time. Brew two different flavors of coffee, one decaf and one regular, two types of hot tea, etc.

**NOTE:** The split filter works best for brewing two different hot beverages. If brewing all one type of coffee or tea, use the regular brew basket with paper filter for best results.

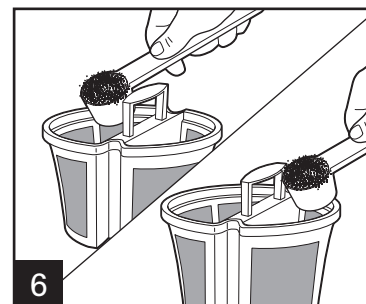
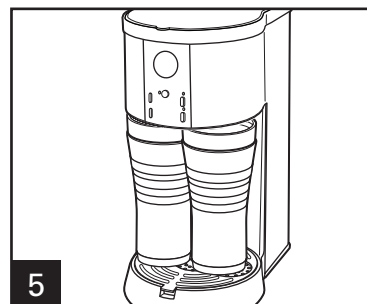


1 Remove lid of thermal travel mug.

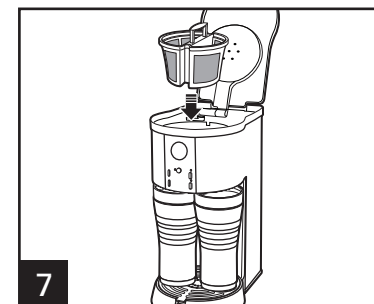


**WARNING:** Do not fill beyond  for brewing one mug or  for brewing two mugs. Hot overflowing coffee is a burn hazard.

6



**NOTE:** See "Tips When Using the Nylon Mesh Split-Filter Basket."



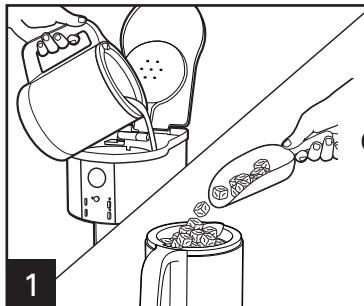
# How to Make Iced Coffee

## Coffee Usage Chart:

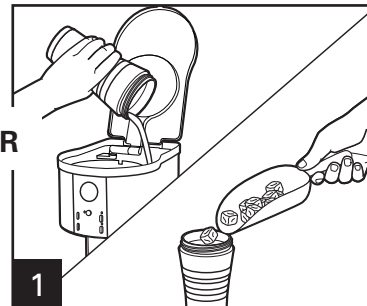
**1 mug** = 1/2 mug ice, 1 1/2 cups water, 3 scoops\* or level Tablespoons ground coffee

**2 mugs** = 1/2 mug ice (each), 3 cups water, 6 scoops\* or level Tablespoons ground coffee



\*Coffee scoop is optional feature on select models.

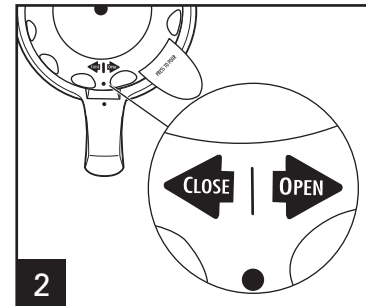


**1** Fill water reservoir to a maximum of 5 cups and thermal carafe with ice to just below inside rim.

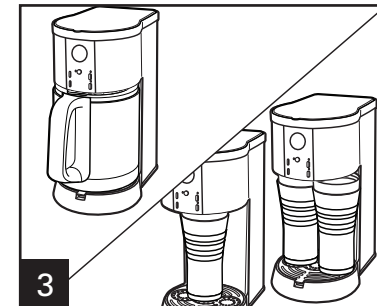


OR

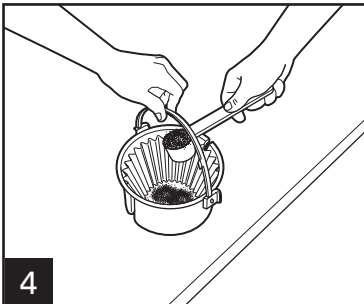
**1** **WARNING:** Do not fill beyond  for brewing one mug or  for brewing two mugs. Hot overflowing coffee is a burn hazard.



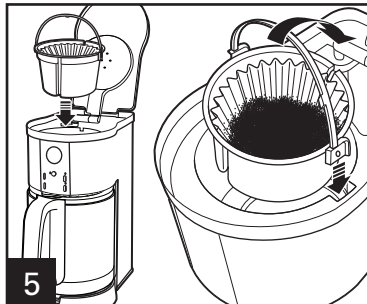
**2** Align with open lock and twist to lock in place.



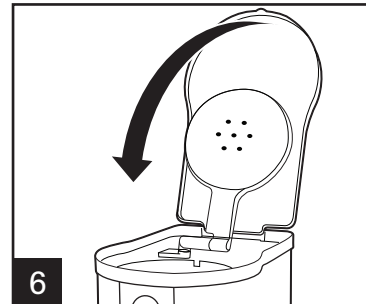
**3**



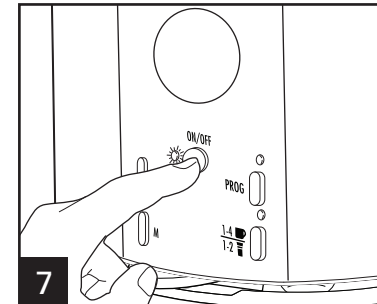
**4** Brew double-strength coffee for iced coffee. For a full pot, use 10 scoops.



**5** Lock filter basket into place. **IMPORTANT:** Lid will not close all the way if filter basket handle is not locked securely into place.

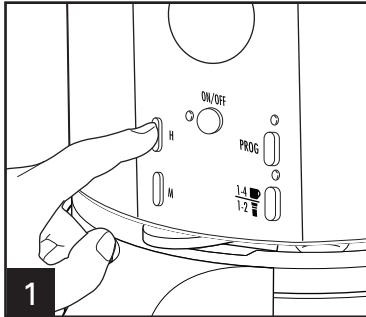


**6**

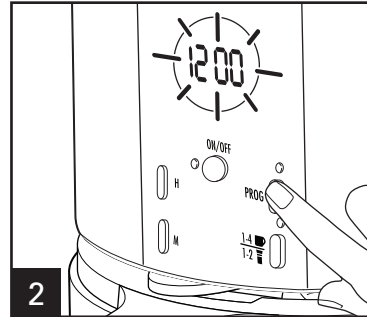


**7** **IMPORTANT:** Do not remove carafe or thermal travel mugs until light goes out. Coffeemaker will shut off immediately after brewing. **7**

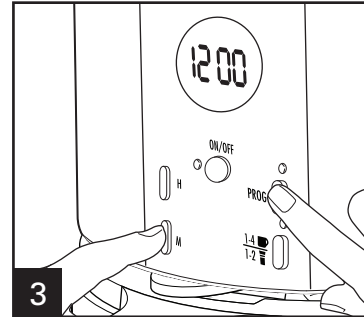
# Programming



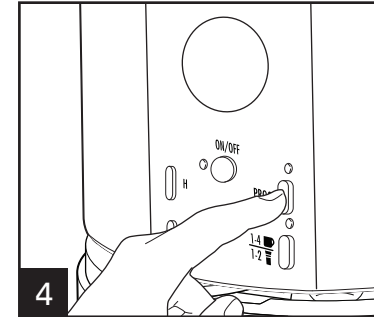
1 Press **H** and then **M** to set clock.



2 Hold **PROG** until clock flashes.



3 Continue holding **PROG** button; press **H** and **M** until the desired brewing start time is reached.

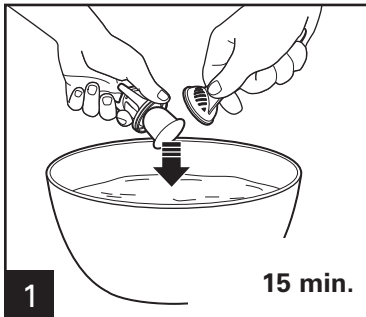


4 Press **PROG** momentarily to activate automatic brewing.

# Water Filter

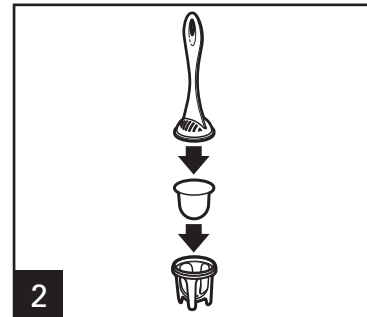
(Optional Accessory)

The water filter can help achieve a better-tasting cup of coffee by removing chlorine and impurities from tap water. It is recommended that this filter be replaced every 60 brew cycles.

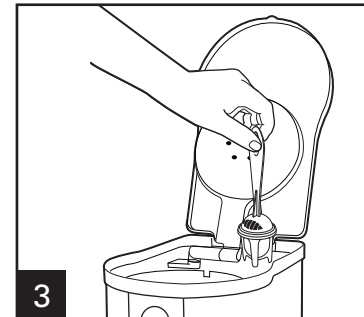


1

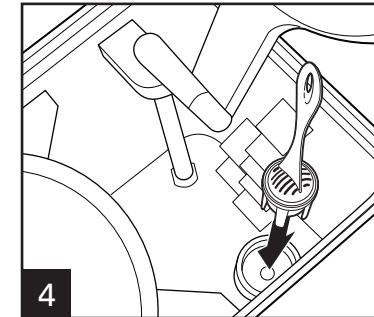
15 min.



2



3



4

8



## *Tips for Best-Tasting Coffee*

- All coffees are made from either arabica beans or robusta beans, or some combination of both. Arabica beans are slightly more expensive, but tend to produce better-tasting coffee.
- Ground coffee will become stale much faster than whole beans. If buying preground coffee, choose a package with the latest expiration date or a smaller quantity.
- If grinding whole beans, set your coffee grinder on a fine/medium grind. This will yield the best-tasting grounds. Try to use freshly ground coffee within about a week of grinding.
- Using a water filter, filtered water, or bottled water will yield better-tasting coffee than tap water.
- Use approximately 1 Tablespoon of grounds for each cup of coffee being made. To avoid overflow, use slightly less grounds when brewing decaf or flavored coffees.
- Make sure your coffeemaker is clean. See “Cleaning With Vinegar” section.
- **For Hotter Coffee:** Before brewing, fill carafe or thermal travel mug with hot tap water and let stand 1 minute; then empty water and follow steps in “How to Make Coffee.”

## *Tips When Using the Nylon Mesh Split-Filter Basket*

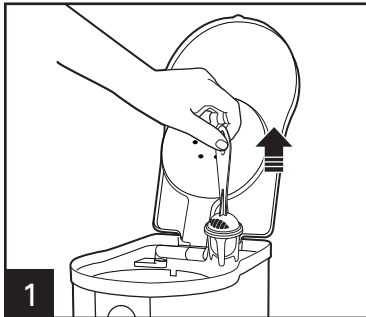
### **TRY BREWING:**

- Decaf on one side, regular coffee on the other
- Two types of flavored coffees (for example, vanilla on one side, hazelnut on the other)
- Coffee on one side, hot tea on the other

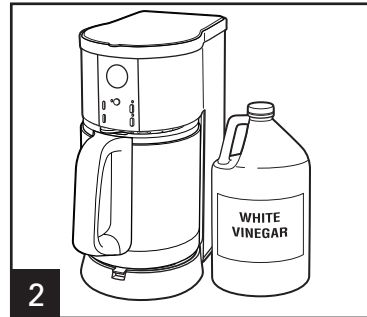
**NOTES:** When brewing hot tea **AFTER** brewing coffee using the nylon mesh split-filter basket, a residual coffee flavor may be present. To remove this, leave the filter in the coffeemaker and then run a clean cycle using vinegar/water. See “Cleaning With Vinegar.”

Staining of the nylon mesh split-filter basket is normal and does not affect product performance.

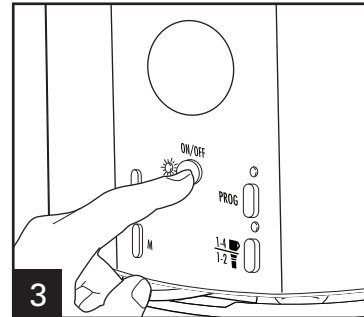
## Cleaning With Vinegar



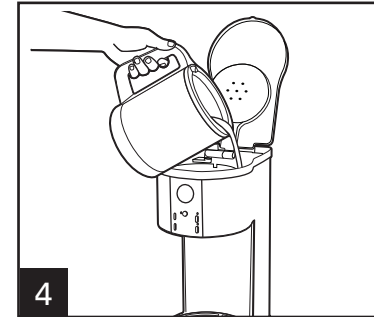
1 Remove optional water filter.



2 Pour 1 pint (2 cups/500 ml) vinegar into water reservoir.



3 Press ON (ⓘ). **Turn OFF (ⓘ) after 20 seconds and wait 30 minutes.** Press ON (ⓘ). The unit will automatically turn off when brew cycle is completed. When cool, empty reservoir and rinse.



4 Run 2-3 more brew cycles with **CLEAN WATER** only. Allow to cool between cycles.

# Troubleshooting

PROBLEM	PROBABLE CAUSE
Filter basket overflows or coffee brews slowly.	<ul style="list-style-type: none"><li>• Excessive amounts of coffee.</li><li>• Coffee ground too finely. Set coffee grinder to automatic drip grind.</li><li>• Coffeemaker needs cleaning.</li></ul> <p><b>If using a paper filter:</b></p> <ul style="list-style-type: none"><li>• Coffee grounds between paper filter and filter basket.</li><li>• Paper filter not open and in proper position.</li><li>• Rinse filter basket before inserting paper filter so the edges will remain pressed against the sides of the basket.</li><li>• Poor-quality paper filter.</li></ul>
Coffee leaks onto base.	<ul style="list-style-type: none"><li>• Thermal travel mugs not properly seated in position indicators on base. Refer to <i>How to Make Coffee</i> for correct position of thermal travel mugs during brewing.</li></ul>
Coffee tastes bad.	<ul style="list-style-type: none"><li>• Coffeemaker needs cleaning.</li><li>• Coffee ground too coarsely or too finely. Set coffee grinder to automatic drip grind.</li><li>• Coffee-to-water ratio unbalanced. Adjust for personal preference.</li><li>• Poor coffee quality and freshness.</li><li>• Poor water quality (use filtered or bottled water).</li></ul>
Coffee sediment in cup.	<ul style="list-style-type: none"><li>• Use a high-quality, basket-style paper filter instead of optional permanent coffee filter.</li></ul>

## Troubleshooting (cont.)

### PROBLEM

Coffee not brewing or unit will not turn on.

Longer than normal brew time.

### PROBABLE CAUSE

- Water reservoir is empty.
  - Unit is unplugged.
  - Power outage.
  - Power surge. Unplug; then plug the unit back in.
  - Clock requires reset after power outage.
- 
- Mineral deposits can build up in the pump of your coffeemaker. Periodic cleaning of the inside of the unit is recommended. More frequent cleaning may be necessary, depending on the hardness of your water. See *Cleaning With Vinegar* section.  
**NOTE:** Do not disassemble the unit.
  - 1–4 CUP mode was selected for a full pot.

## Limited Warranty

This warranty applies to products purchased and used in the U.S. and Canada. This is the only express warranty for this product and is in lieu of any other warranty or condition.

This product is warranted to be free from defects in material and workmanship for a period of one (1) year from the date of original purchase. During this period, your exclusive remedy is repair or replacement of this product or any component found to be defective, at our option; however, you are responsible for all costs associated with returning the product to us and our returning a product or component under this warranty to you. If the product or component is no longer available, we will replace with a similar one of equal or greater value.

This warranty does not cover glass, filters, wear from normal use, use not in conformity with the printed directions, or damage to the product resulting from accident, alteration, abuse, or misuse. This warranty extends only to the original consumer purchaser or gift recipient. Keep the original sales receipt, as proof of purchase is required to make a warranty claim. This warranty is void if the product is used for other than single-family household use or subjected to any voltage and waveform other than as specified on the rating label (e.g., 120V ~ 60 Hz).

We exclude all claims for special, incidental, and consequential damages caused by breach of express or implied warranty. All liability is limited to the amount of the purchase price. **Every implied warranty, including any statutory warranty or condition of merchantability or fitness for a particular purpose, is disclaimed except to the extent prohibited by law, in which case such warranty or condition is limited to the duration of this written warranty.** This warranty gives you specific legal rights. You may have other legal rights that vary depending on where you live. Some states or provinces do not allow limitations on implied warranties or special, incidental, or consequential damages, so the foregoing limitations may not apply to you.

To make a warranty claim, do not return this appliance to the store. Please call 1.800.851.8900 in the U.S. or 1.800.267.2826 in Canada or visit [hamiltonbeach.com](http://hamiltonbeach.com) in the U.S. or [hamiltonbeach.ca](http://hamiltonbeach.ca) in Canada. For faster service, locate the model, type, and series numbers on your appliance.

## PRÉCAUTIONS IMPORTANTES

Pour utiliser un appareil électroménager, vous devez toujours prendre des mesures élémentaires de sécurité pour réduire le risque d'incendie, d'électrocution et/ou de blessure corporelle, en particulier les mesures suivantes :

1. Lire toutes les instructions.
2. Ne toucher pas aux surfaces chaudes. Utiliser les poignées ou les boutons. Vous devez être très prudent car vous pourriez vous brûler en touchant des pièces chaudes ou en renversant un liquide chaud.
3. Afin de vous prémunir contre les chocs électriques, ne plonger pas le cordon d'alimentation, la fiche ou la cafetière dans l'eau ou tout autre liquide.
4. Surveiller attentivement les enfants lorsque ceux-ci utilisent l'appareil ou lorsqu'il est utilisé à proximité d'eux.
5. Débrancher l'appareil de la prise de courant lorsque vous ne vous servez pas de la cafetière ou de l'horloge ou avant de le nettoyer. Laisser-le refroidir avant d'enlever ou de remettre en place des pièces ou de nettoyer l'appareil.
6. Lorsque la cafetière est en fonctionnement, elle doit toujours se trouver sur une surface plate et loin du bord du comptoir pour éviter tout renversement accidentel.
7. Ne faites pas fonctionner un appareil avec un cordon ou une fiche endommagé, ou lorsque l'appareil ne fonctionne pas correctement, qu'il est tombé ou qu'il a été endommagé d'une manière quelconque. Appeler notre numéro sans frais de service à la clientèle pour des renseignements concernant l'examen, la réparation ou l'ajustement.
8. L'utilisation d'accessoires qui ne sont pas recommandés par le fabricant de l'appareil peut causer des blessures.
9. N'utiliser pas la cafetière à l'extérieur.
10. Ne laisser pas le cordon pendre au bord d'une table ou d'un comptoir ou entrer en contact avec une surface chaude, y compris la cuisinière.
11. La verseuse est conçue pour être utilisée avec cette cafetière. Elle ne doit jamais être utilisée sur la cuisinière ou dans un four à micro-ondes.
12. N'utiliser pas une verseuse fêlée ou dont la poignée est desserrée ou endommagée.
13. Afin d'éviter des accidents, ne verser pas dans la direction des personnes.
14. Assurez-vous que le couvercle est bien fermé durant la préparation du café et lorsque vous le versez. Ne forcer pas en plaçant le couvercle sur la verseuse.
15. Pour débrancher la cafetière, placer l'interrupteur à la position ARRÊT (OFF), puis enlever la fiche de la prise de courant.
16. Ne placer pas la cafetière près d'un brûleur électrique ou à gaz chaud ou dans un four chaud.
17. **AVERTISSEMENT** : Afin de diminuer le risque d'incendie ou de choc électrique, n'enlever pas le couvercle du dessous. Il ne s'y trouve aucune pièce réparable. Les réparations ne doivent être effectuées que par un technicien autorisé.
18. N'utiliser cet appareil qu'aux fins pour lesquelles il a été conçu.

## CONSERVEZ CES INSTRUCTIONS !

### **Autres renseignements relatifs à la sécurité du consommateur**

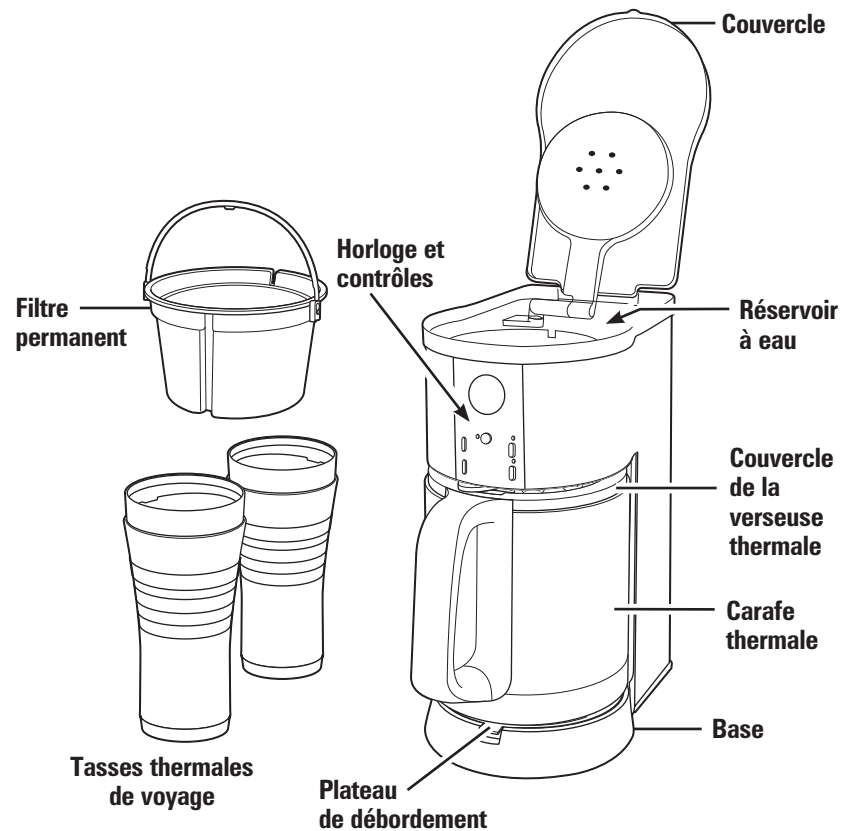
**Cet appareil est conçu uniquement pour l'usage domestique.**

**AVERTISSEMENT !** Risque d'électrocution : Cet appareil électroménager possède une fiche polarisée (une broche large) qui réduit le risque d'électrocution. Cette fiche n'entre que dans un seul sens dans une prise polarisée. Ne contrecarrez pas l'objectif sécuritaire de cette fiche en la modifiant de quelque manière que ce soit ou en utilisant un adaptateur. Si vous ne pouvez pas insérer complètement la fiche dans la prise, inversez la fiche. Si elle refuse toujours de s'insérer, faire remplacer la prise par un électricien.

La longueur du cordon installé sur cet appareil a été sélectionnée afin de réduire les risques d'enchevêtrement ou de faux pas causés par un fil trop long. L'utilisation d'une rallonge approuvée est permise si le cordon est trop court. Les caractéristiques électriques de la rallonge doivent être équivalentes ou supérieures aux caractéristiques de l'appareil. Prendre toutes les précautions nécessaires pour installer la rallonge de manière à ne pas la faire courir sur le comptoir ou sur une table pour éviter qu'un enfant ne tire sur le cordon ou trébuche accidentellement.

Afin d'éviter une surcharge électrique, évitez d'utiliser un autre appareil à haute puissance sur le même circuit que la cafetière.

## Pièces et caractéristiques



16

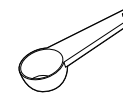
## Accessoires en option



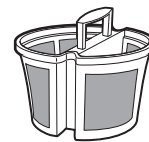
Filtre à café permanent de couleur or



Filtre à eau



Mesure à café



Panier à filtre compartimenté en maille de nylon

**REMARQUE :** Les taches du panier à filtre compartimenté en maille de nylon sont normales et n'affectent pas le fonctionnement de l'appareil.

Pour commander, appelez les numéros suivants :  
1-800-851-8900 (U.S.) • 1-800-267-2826 (Canada)  
01-800-71-16-100 (Mexique)  
ou visitez le site Web [hamiltonbeach.com](http://hamiltonbeach.com)

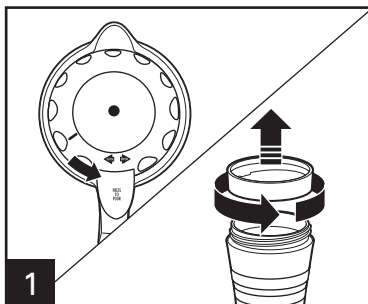


# Comment faire votre café

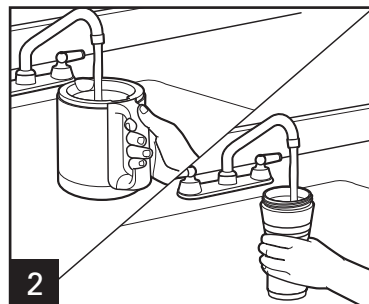
## Tableau d'infusion de café :

- 1 mesure\* ou cuillère à soupe rase de café moulu par tasse
- 3 mesures\* ou cuillères à soupe rases de café moulu par tasse de voyage

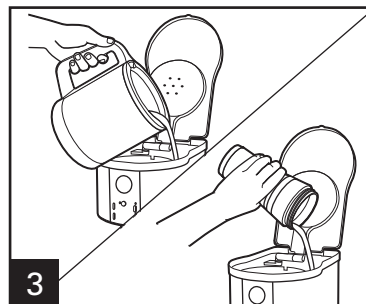
\*Les filtres permanents et la mesure de café sont des accessoires en option sur certains modèles.



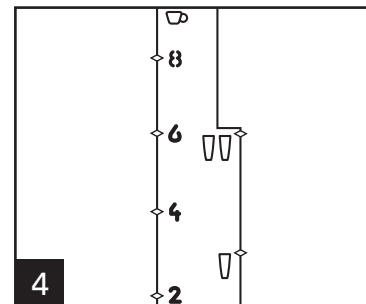
1 Retirer le couvercle de la verseuse thermique ou le couvercle de la tasse thermique de voyage.



2

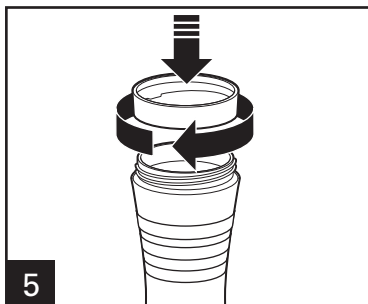


3

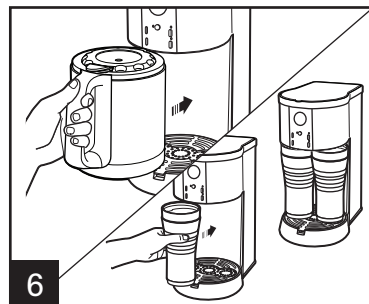


4

**AVERTISSEMENT :** Ne pas remplir au-delà de 1 pour l'infusion d'une tasse ou de 2 pour l'infusion de deux tasses. Le café chaud qui déborde représente un risque de brûlure.

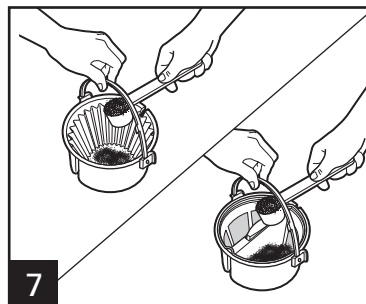


5 Remettez en place les couvercles sur les tasses thermiques de voyage. Le café s'infuse directement dans l'ouverture du couvercle et reste plus chaud.



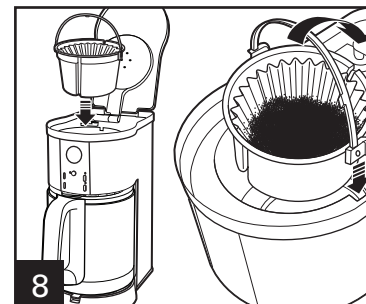
6

Infusez le café dans une tasse centrée ou dans deux tasses côte à côte.



7

Un filtre en papier, un filtre permanent optionnel ou un panier à filtre compartimenté en maille de nylon peuvent être utilisés.



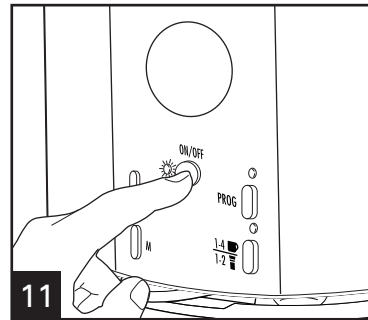
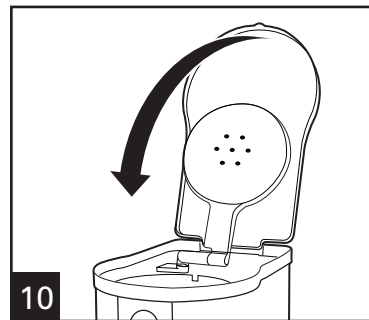
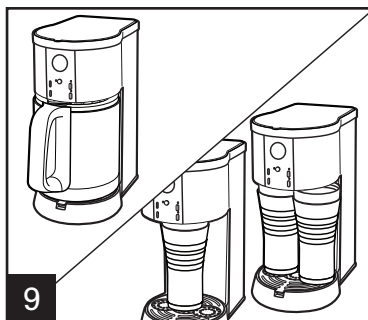
8

Verrouillez en place le panier à filtre. **IMPORTANT :** Le couvercle ne se ferme pas complètement si l'anse du panier à filtre n'est pas solidement verrouillée en place.

17

## Comment faire votre café (suite)

**AVERTISSEMENT** : Attendre que le témoin s'éteigne avant de retirer la verseuse thermique ou les tasses thermales de voyage. Si la cafetière déborde, laissez votre appareil, le café et la surface de la table refroidir avant de nettoyer votre cafetière, le café ou les moutures.



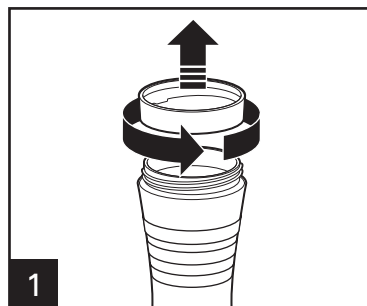
Appuyer sur  $\frac{1-4}{1-2}$  pour infuser le café dans les tasses thermales de voyage ou sur  $\frac{1-4}{1-2}$  pour obtenir un café plus corsé.

Votre cafetière s'arrêtera immédiatement après avoir infusé.

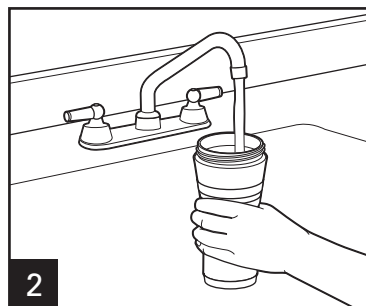
## Utilisation du panier à filtre compartimenté en maille de nylon (accessoire en option sur certains modèles)

Le panier à filtre compartimenté en maille de nylon permet d'infuser deux types différents de boissons chaudes en même temps. Infuser deux arômes différents de café, un décaféiné et l'autre ordinaire, deux types de thé chaud, etc.

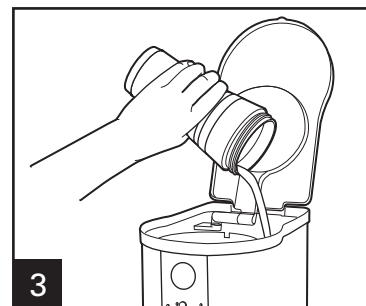
**REMARQUE :** Le filtre compartimenté est idéal pour infuser deux boissons chaudes différentes. Pour infuser un seul type de café ou de thé, utiliser le panier à filtre ordinaire avec un filtre en papier pour obtenir de meilleurs résultats.



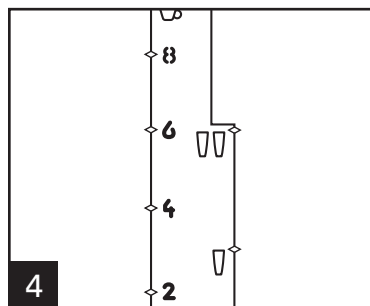
1 Retirer le couvercle de la tasse thermale de voyage.



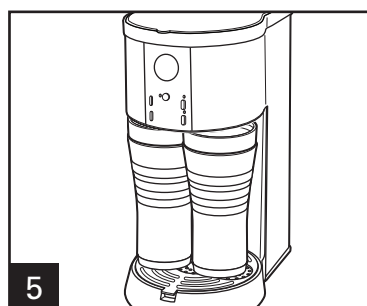
2



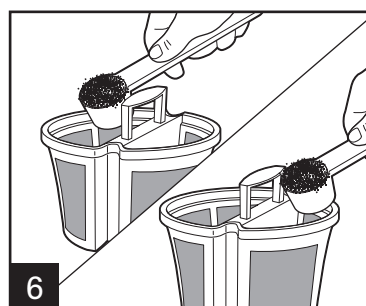
3



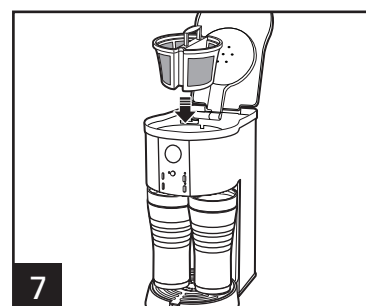
**AVERTISSEMENT :** Ne pas remplir au-delà de 6 pour l'infusion d'une tasse ou de 8 pour l'infusion de deux tasses. Le café chaud qui déborde représente un risque de brûlure.



5



6 **REMARQUE :** Reportez-vous à « Conseils d'utilisation du panier à filtre compartimenté en maille de nylon ».



7

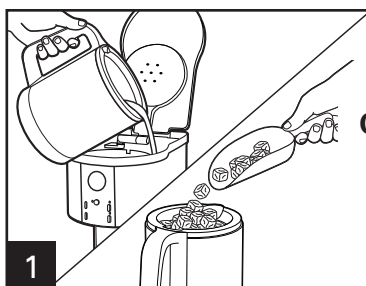
# Comment faire du café glacé

\*La mesure à café est offerte en option sur certains modèles.

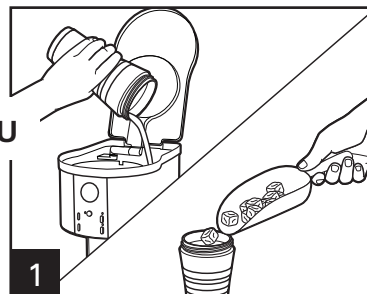
## Tableau d'infusion de café :

**1 tasse** = 1/2 tasse de glace, 1 1/2 tasse d'eau, 3 mesures\* ou cuillères à soupe rase de café moulu

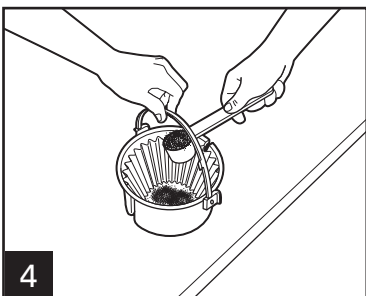
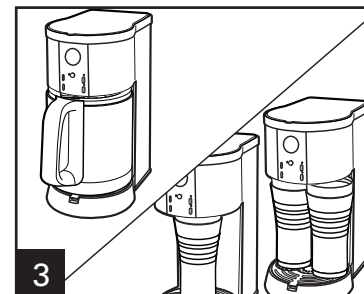
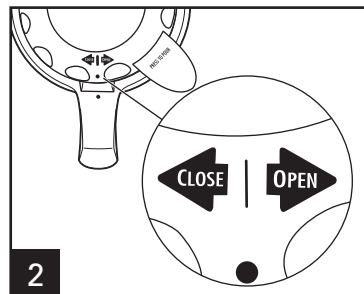
**2 tasses** = 1/2 tasse (chacune) de glace, 3 t. d'eau, 6 mesures\* ou cuillères à soupe rase de café moulu



Remplir le réservoir d'eau de 5 tasses au maximum et la carafe thermique de glace juste en-dessous de la bordure intérieure.

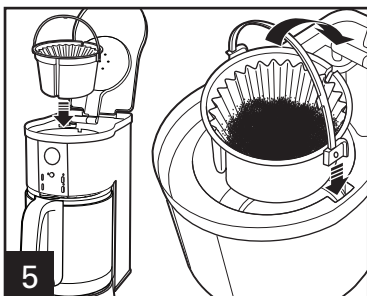


**AVERTISSEMENT** : Ne pas remplir au-delà de  $\nabla$  pour l'infusion d'une tasse ou de  $\nabla\nabla$  pour l'infusion de deux tasses. Le café chaud qui déborde représente un risque de brûlure. Aligner avec le verrou ouvert et tourner pour verrouiller en place.

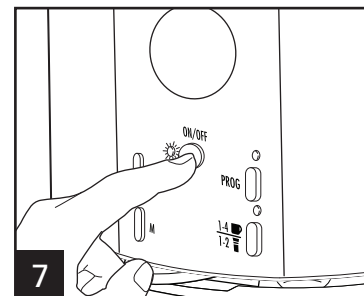
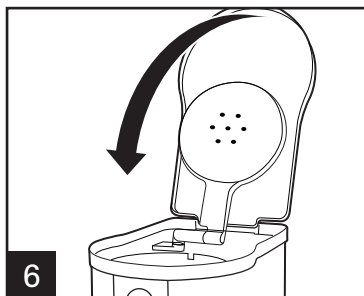


Infuser du café doublement fort pour du café glacé. Pour une carafe entière, utilisez 10 mesures de café moulu.

20

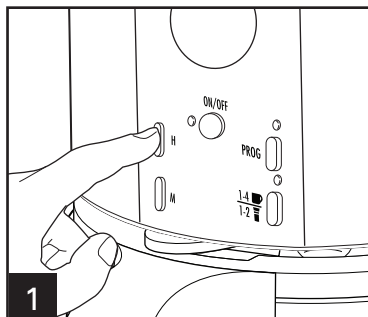


Verrouiller en place le panier à filtre. **IMPORTANT** : Le couvercle ne se ferme pas complètement si l'anse du panier à filtre n'est pas solidement verrouillée en place.

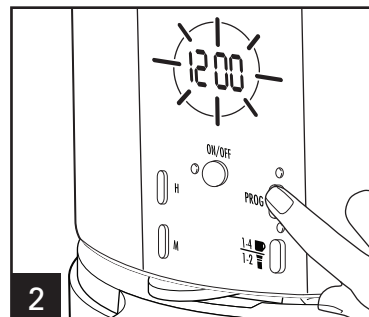


**IMPORTANT** : Attendre que le témoin s'éteigne avant de retirer la verseuse thermique ou les tasses thermales de voyage. Votre cafetière s'arrêtera immédiatement après avoir infusé.

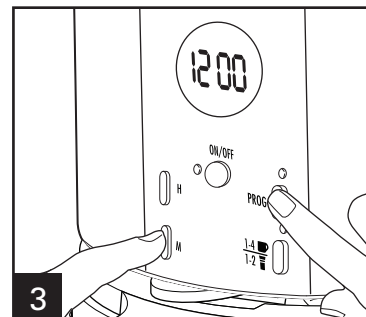
## Programmation



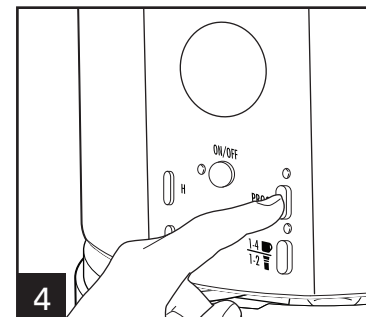
1 Appuyer sur **H** et ensuite sur **M** pour régler la minuterie.



2 Appuyer sur **PROG** jusqu'à ce que l'heure clignote.



3 En continuant à appuyer sur le bouton **PROG**, appuyer sur **H** et sur **M** jusqu'à ce que l'heure désirée de début d'infusion apparaisse.

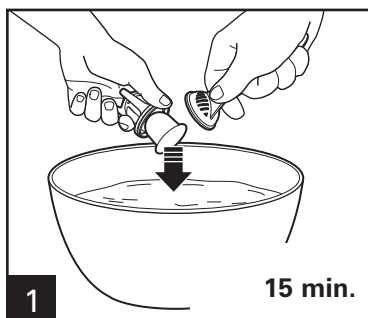


4 Appuyer sur **PROG** brièvement pour mettre en marche l'infusion automatique.

## Filtre à eau

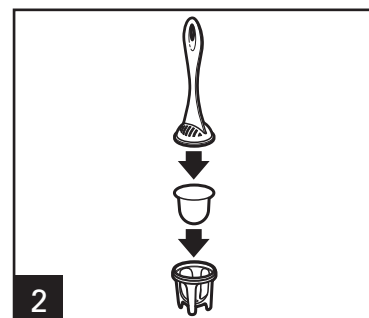
(accessoire en option)

Le filtre à eau peut aider à obtenir une tasse de café qui a meilleur goût en enlevant le chlore et les impuretés de l'eau du robinet. Nous vous recommandons de remplacer ce filtre tous les 60 cycles d'infusion.

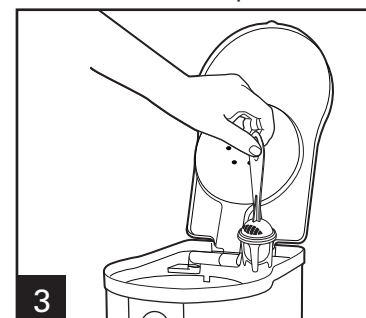


1

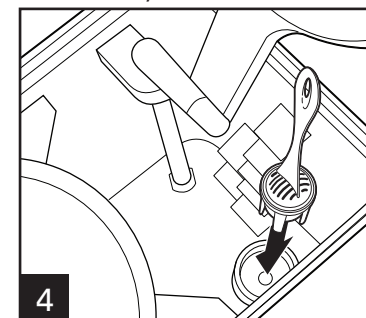
15 min.



2



3



4

## Conseils pour obtenir un excellent café

- Tous les cafés sont faits à partir de grains arabica ou robusta ou une combinaison des deux. Les grains Arabica sont légèrement plus coûteux, mais ont tendance à produire le meilleur café.
- Le café moulu s'évente beaucoup plus rapidement que les grains entiers. Si vous achetez du café moulu, choisissez un paquet avec la date d'expiration la plus tardive ou une plus petite quantité.
- Pour moulin des grains entiers, régler votre moulin à café sur un réglage fine / moyen. Ceci donnera des moutures au meilleur arôme. Essayer d'utiliser du café fraîchement moulu dans la semaine qui suit.
- Utiliser un filtre à eau, de l'eau filtrée ou en bouteille donne un café de meilleur arôme que d'utiliser de l'eau du robinet
- Utilisez environ 1 cuillère à soupe de café moulu pour chaque tasse de café à infuser. Pour le café décaféiné et les cafés aromatisés, utilisez environ 1/3 de moins de café moulu pour éviter les débordements.
- Assurez-vous que la cafetière est propre. Consultez le chapitre « Nettoyage avec du vinaigre ».
- **Pour un café plus chaud** : Avant de commencer l'infusion, remplir la verseuse ou la tasse de voyage avec de l'eau chaude du robinet et laisser reposer 1 minute ; ensuite vider l'eau et suivre les étapes de « Comment faire votre café ».

## Conseils d'utilisation du panier à filtre compartimenté en maille de nylon

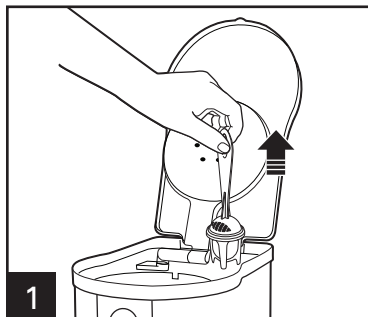
### ESSAYER D'INFUSER :

- Le café décaféiné d'un côté, le café ordinaire de l'autre
- Deux types de cafés aromatisés (par exemple, vanille d'un côté, noisette de l'autre)
- Le café d'un côté, le thé chaud de l'autre

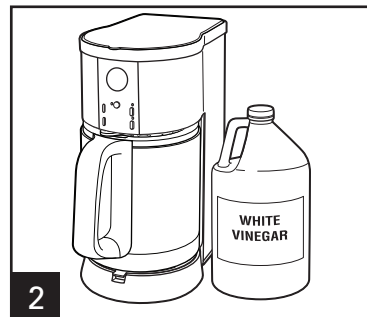
**REMARQUES** : Lors de l'infusion de thé chaud APRÈS infusion de café en utilisant le panier à filtre compartimenté en maille de nylon, un arôme de café résiduel peut être présent. Pour le supprimer, laisser le filtre dans la cafetière, puis exécuter un cycle de nettoyage en faisant circuler du vinaigre/eau. Consultez le chapitre « Nettoyage avec du vinaigre ».

Les taches du panier à filtre compartimenté en maille de nylon sont normales et n'affectent pas le fonctionnement de l'appareil.

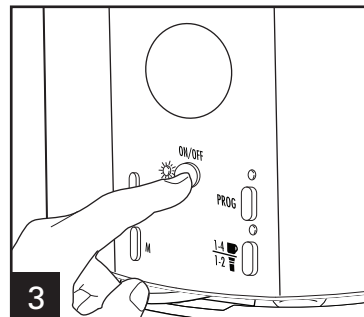
## Nettoyage avec du vinaigre



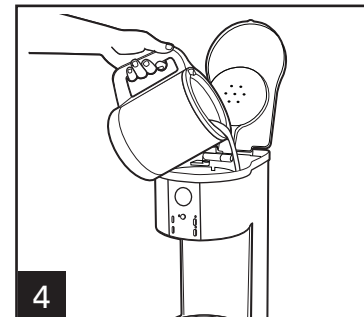
1 Enlever le filtre à eau en option.



2 Verser 500 ml (2 tasses) de vinaigre dans le réservoir d'eau.



3 Appuyer sur ON ① (marche). **Appuyez sur OFF (arrêt) ① après 20 secondes et attendez 30 minutes.** Appuyer sur ON ① (marche). Cet appareil se met hors tension automatiquement dès la fin du cycle d'infusion. Quand il a refroidi, vider le réservoir et rincer.



4 Faites fonctionner 2-3 autres cycles d'infusion avec SEULEMENT DE L'EAU. Laisser refroidir entre les cycles.

# Dépannage

## PROBLÈME

## CAUSE PROBABLE

Le panier à filtre déborde ou le café infuse lentement.

- Quantités excessives de café.
- La mouture du café est trop fine. Régler le moulin à café sur café moulu.
- La cafetière a besoin d'être nettoyée.

### **Si vous utilisez un filtre conique en papier :**

- De la mouture de café a pénétré entre le filtre en papier et le panier à filtre.
- Le filtre en papier n'est pas ouvert ou est mal positionné.
- Rincez le panier à filtre avant d'y placer le filtre en papier pour que les bords de celui-ci adhèrent aux parois humides du panier.
- Filtre en papier de mauvaise qualité.

Le café coule dans la base.

- Les tasses thermales de voyage ne sont pas placées correctement sur les marques de la base. Voir le chapitre « Comment faire votre café » pour le positionnement adéquat des tasses thermales de voyage pendant l'infusion.

Le café a un mauvais goût.

- La cafetière a besoin d'être nettoyée.
- La mouture du café est trop grossière ou trop fine. Régler le moulin à café sur café moulu pour cafetière automatique.
- La proportion de café et d'eau n'est pas équilibrée. Ajustez-la selon votre préférence.
- La qualité et la fraîcheur du café laissent à désirer.
- L'eau est de piètre qualité. (Utilisez de l'eau filtrée ou en bouteille).

Il y a un sédiment de café dans la tasse.

- Utiliser un panier filtre en papier de grande qualité au lieu du filtre à café permanent offert en option.



## Dépannage (suite)

### PROBLÈME

La cafetière n'infuse pas de café/l'appareil ne se met pas en marche.

Période d'infusion supérieure à la normale.

### CAUSE PROBABLE

- Le réservoir d'eau est vide.
- L'appareil est débranché.
- Il y a eu une panne d'électricité.
- Il y a eu une surtension électrique. Débrancher l'appareil et branchez-le à nouveau.
- L'horloge doit être réglée de nouveau après la panne d'électricité.

• De nombreux dépôts minéraux peuvent s'accumuler dans la pompe de la cafetière. Le nettoyage périodique de l'intérieur de l'appareil est recommandé. Un nettoyage plus fréquent peut être nécessaire, selon la dureté de l'eau. Voir le chapitre « Nettoyage avec du vinaigre ».

**REMARQUE** : Ne démonter pas l'appareil.

- Le mode 1-4 tasses a été choisi pour un pot complet.

## Garantie limitée

Cette garantie s'applique aux produits achetés et utilisés aux É.-U. et au Canada. C'est la seule garantie expresse pour ce produit et est en lieu et place de tout autre garantie ou condition.

Ce produit est garanti contre tout défaut de matériaux et de main-d'oeuvre pour une période de un (1) an à compter de la date d'achat d'origine. Au cours de cette période, votre seul recours est la réparation ou le remplacement de ce produit ou tout composant s'avérant défectueux, à notre gré, mais vous êtes responsable de tous les coûts liés à l'expédition du produit et le retour d'un produit ou d'un composant dans le cadre de cette garantie. Si le produit ou un composant n'est plus offert, nous le remplacerons par un produit similaire de valeur égale ou supérieure.

Cette garantie ne couvre pas le verre, les filtres, l'usure d'un usage normal, l'utilisation non conforme aux directives imprimées, ou des dommages au produit résultant d'un accident, modification, utilisation abusive ou incorrecte. Cette garantie s'applique seulement à l'acheteur original ou à la personne l'ayant reçu en cadeau. La présentation du reçu de vente d'origine comme preuve d'achat est nécessaire pour faire une réclamation au titre de cette garantie. Cette garantie s'annule si le produit est utilisé autrement que par une famille ou si l'appareil est soumis à toute tension ou forme d'onde différente des caractéristiques nominales précisées sur l'étiquette (par ex. : 120 V ~ 60 Hz).

Nous excluons toutes les réclamations au titre de cette garantie pour les dommages spéciaux, consécutifs et indirects causés par la violation de garantie expresse ou implicite. Toute responsabilité est limitée au prix d'achat. **Chaque garantie implicite, y compris toute garantie ou condition de qualité marchande ou d'adéquation à un usage particulier, est exonérée, sauf dans la mesure interdite par la loi, auquel cas la garantie ou condition est limitée à la durée de cette garantie écrite.** Cette garantie vous donne des droits légaux précis. Vous pouvez avoir d'autres droits qui varient selon l'endroit où vous habitez. Certaines provinces ne permettent pas les limitations sur les garanties implicites ou les dommages spéciaux ou indirects de telle sorte que les limitations ci-dessus ne s'appliquent peut-être pas à votre cas.

Ne pas retourner cet appareil au magasin lors d'une réclamation au titre de cette garantie. Téléphoner au 1.800.851.8900 aux É.-U. ou au 1.800.267.2826 au Canada ou visiter le site internet [www.hamiltonbeach.com](http://www.hamiltonbeach.com) aux É.-U. ou [www.hamiltonbeach.ca](http://www.hamiltonbeach.ca) au Canada. Pour un service plus rapide, trouvez le numéro de modèle, le type d'appareil et les numéros de série sur votre appareil.

## SALVAGUARDIAS IMPORTANTES

Cuando utilice artefactos eléctricos, siempre deben seguirse precauciones de seguridad básicas a fin de reducir el riesgo de incendio, descarga eléctrica, y/o lesiones a personas, incluyendo las siguientes:

1. Lea todas las instrucciones.
2. Verifique que el voltaje de su instalación corresponda con el del producto.
3. No toque superficies calientes. Use los mangos o las perillas. Es importante tener cuidado ya que pueden ocurrir quemaduras al tocar partes calientes o como resultado del derrame de líquido calientes.
4. Para protegerse contra choque eléctrico, no coloque el cable, el enchufe ni la cafetera en agua ni en ningún otro líquido.
5. Se requiere una supervisión rigurosa cuando niños utilicen aparatos o cuando éstos se estén utilizando cerca de niños.
6. Desenchufe del tomacorriente cuando la cafetera o el reloj no se estén usando y antes de la limpieza. Deje que se enfríe antes de colocar o sacar alguna pieza, y antes de limpiar el aparato.
7. La cafetera debe ser operada sobre una superficie plana lejos del borde de la mesa o mostrador para evitar que se vuelque accidentalmente.
8. No opere ningún aparato eléctrico si el cable o el enchufe están averiados, después de un mal funcionamiento del aparato, o si éste se ha caído o averiado de alguna forma. Llame a nuestro número gratuito de servicio al cliente para información sobre examinación, reparación o ajuste.
9. El uso de aditamentos de accesorio no recomendados por el fabricante del aparato puede causar lesiones personales.
10. No lo use al aire libre.
11. No deje que el cable cuelgue sobre el borde de una mesa o de un mostrador, o que toque alguna superficie caliente, incluyendo la estufa.
12. La jarra ha sido diseñada para ser usada con esta cafetera. Nunca la use sobre una estufa o en un horno de microondas.
13. No use la jarra si tiene la manija suelta o floja.
14. Para evitar accidentes, no sirva en dirección de personas.
15. Asegúrese de que la tapa de la jarra esté firme en posición durante el ciclo de preparación del café y cuando lo esté vertiendo; no emplee fuerza cuando coloque la tapa en la jarra.
16. Para desconectar la cafetera, coloque los controles en la posición apagada (OFF) y luego retire el enchufe del tomacorriente.
17. No coloque la cafetera sobre o cerca de un quemador a gas o eléctrico caliente ni en un horno caliente.
18. **ADVERTENCIA:** Para reducir el riesgo de incendio o choque eléctrico, no retire la cubierta inferior. El interior del aparato no contiene piezas que se puedan reparar. Las reparaciones deberán ser realizadas solamente por personal de servicio autorizado.
19. No use el aparato para ningún otro fin que no sea el indicado.

## ¡GUARDE ESTAS INSTRUCCIONES!

### **Otra Información de Seguridad para el Cliente**

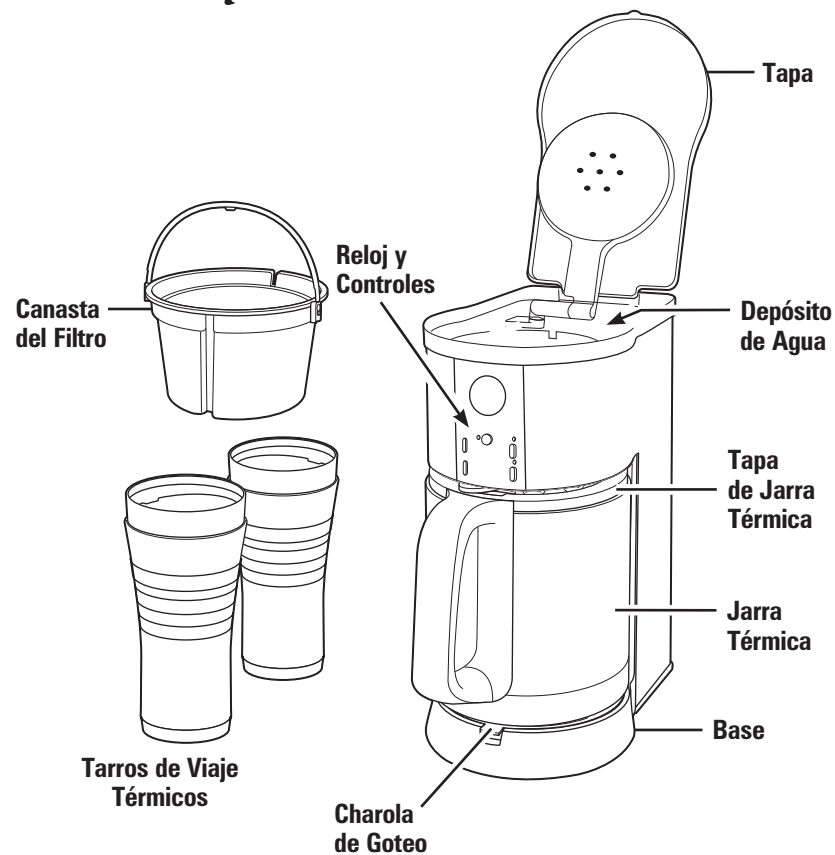
**Este aparato ha sido diseñado solamente para uso doméstico.**

**¡ADVERTENCIA!** Peligro de Descarga Eléctrica: Este aparato cuenta con un enchufe polarizado (una pata más ancha) que reduce el riesgo de una descarga eléctrica. El enchufe embona únicamente en una dirección dentro de un tomacorriente polarizado. No trate de obviar el propósito de seguridad del enchufe modificándolo de alguna manera o utilizando un adaptador. Si el enchufe no entra completamente en la toma, invierta el enchufe. Si aún no entra, haga que un electricista reemplace la toma.

El largo del cable que se usa en este aparato fue seleccionado para reducir el peligro de que alguien se enganche o tropiece con un cable más largo. Si es necesario usar un cable más largo, se podrá usar un cable de extensión aprobado. La clasificación eléctrica nominal del cable de extensión debe ser igual o mayor que la clasificación nominal del aparato. Es importante tener cuidado de colocar el cable de extensión para que no se pliegue sobre el mostrador o la mesera en donde niños puedan tirar del mismo o tropezarse accidentalmente.

Para evitar una sobrecarga del circuito eléctrico, no use ningún otro aparato electrodoméstico de alto voltaje en el mismo circuito que su cafetera.

## Piezas y Características



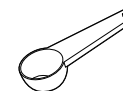
## Accesorios Opcionales



Filtro de Café  
Permanente  
Dorado



Filtro de  
Agua



Cuchara para Café



Canasta con  
Filtro Dividido  
de Malla  
de Nylon

**NOTA:** Es normal que la canasta con filtro dividido de malla de nylon se manche y ésto no afecta el desempeño del producto.

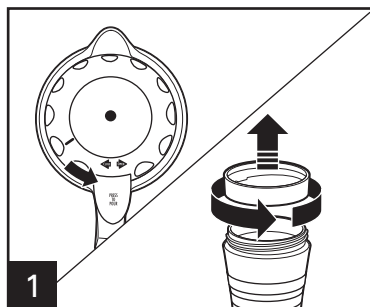
Para solicitar llame al:  
1-800-851-8900 (EE.UU.) • 1-800-267-2826 (Canadá)  
01-800-71-16-100 (México)  
O visite [hamiltonbeach.com](http://hamiltonbeach.com)

# Cómo Preparar Café

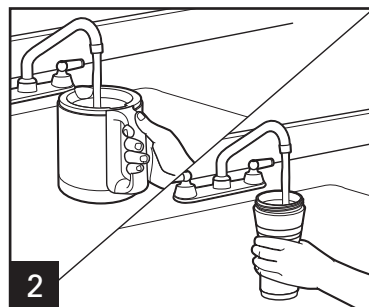
## Tabla de Uso del Café:

- 1 cucharón\* o cucharada a nivel de café molido por taza
- 3 cucharones\* o cucharadas a nivel de café molido por tarro de viaje

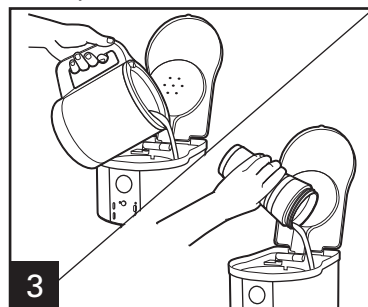
\*La cuchara de café y los filtros permanentes son accesorios opcionales de los modelos especiales.



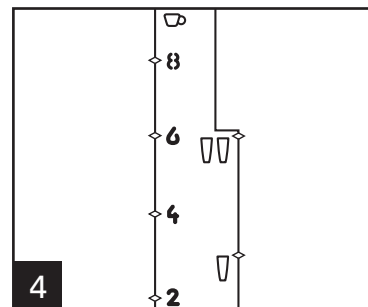
1 Remueva la tapa de la jarra térmica o la tapa del tarro de viaje térmico.



2

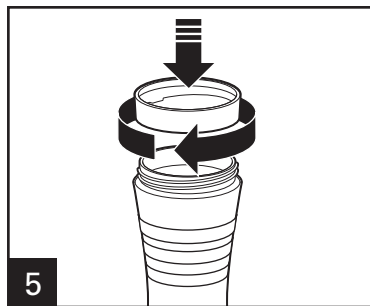


3



4

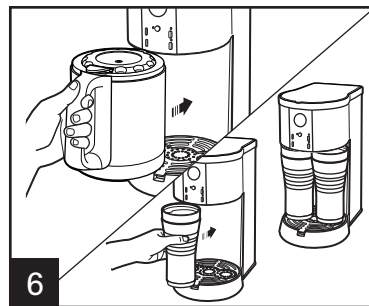
**ADVERTENCIA:** No llene más allá 8 para preparar un tarro o 6 para preparar dos tarros. El café caliente que se desborda es un riesgo de quemaduras.



5

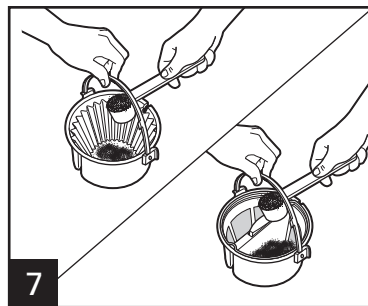
Vuelva a colocar las tapas en los tarros de viaje. El café se preparará y caerá directamente dentro de la abertura de la tapa y se mantendrá más caliente.

30



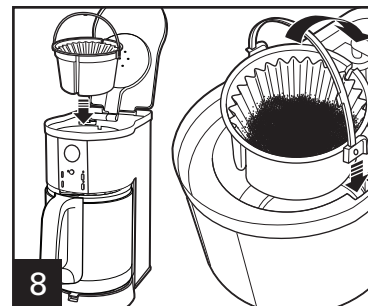
6

Prepare un tarro en el centro y dos tarros uno al lado del otro.



7

Puede utilizarse un filtro de papel, un filtro permanente opcional o una canasta con filtro dividido de malla de nylon.

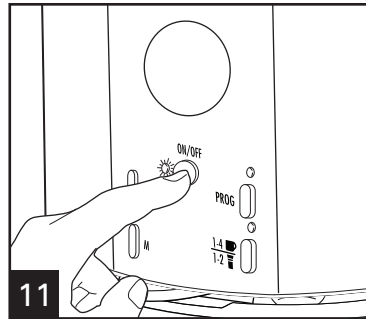
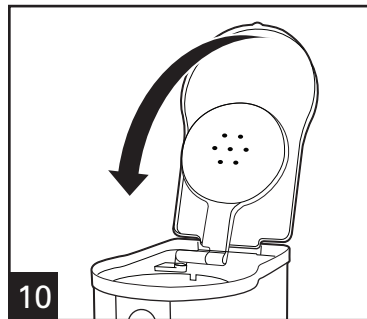
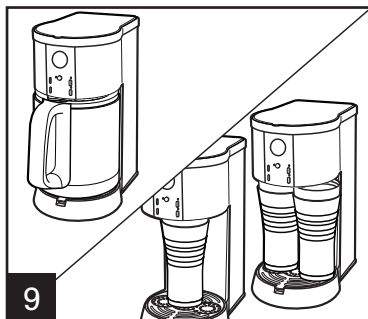


8

Trabe la canasta del filtro en su lugar. **IMPORTANTE:** La tapa no se cerrará del todo si la manija de la canasta del filtro no está bien trabada.

## Cómo Preparar Café (cont.)

**ADVERTENCIA:** No remueva la jarra o tarros de viaje térmicos hasta que la luz se apague. Si la cafetera se desborda, deje que la unidad, el café y las borras se enfríen antes de limpiar la unidad, el café y las borras.



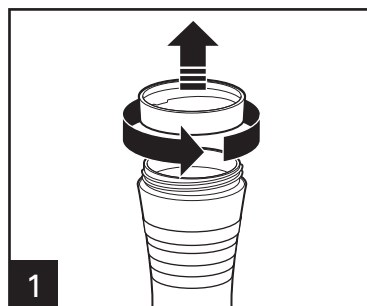
Presione  $\frac{1.4}{1.2}$  para preparar el café en los tarros de viaje térmicos o para un sabor más fuerte del café. La cafetera se apagará inmediatamente después de la preparación.

## Cómo Usar la Canasta con Filtro Dividido de Malla de Nylon

(accesorio opcional en modelos selectos)

La canasta con filtro dividido de malla de nylon le permite preparar dos tipos diferentes de bebidas calientes al mismo tiempo. Prepare dos sabores diferentes de café, uno descafeinado y otro común, dos tipos de té caliente, etc.

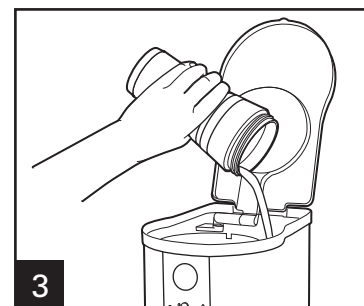
**NOTA:** El filtro dividido funciona mejor para preparar dos bebidas calientes diferentes. Si va a preparar sólo un tipo de café o té, utilice la canasta de preparación regular con un filtro de papel para mejores resultados.



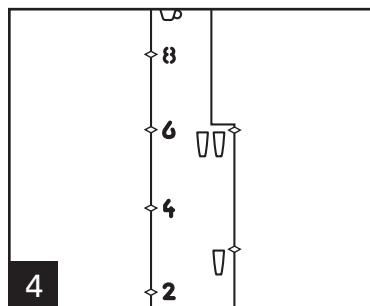
1 Remueva la tapa del tarro de viaje térmico.





2

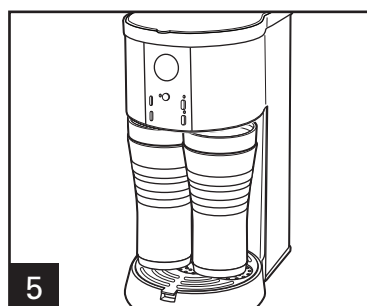


3

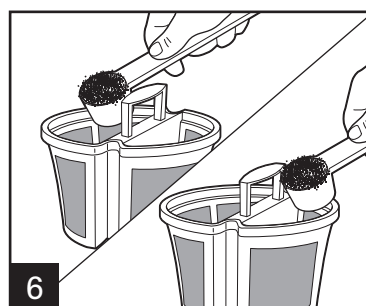


4

**ADVERTENCIA:** No llene más allá  para preparar un tarro o  para preparar dos tarros. El café caliente que se desborda es un riesgo de quemaduras.

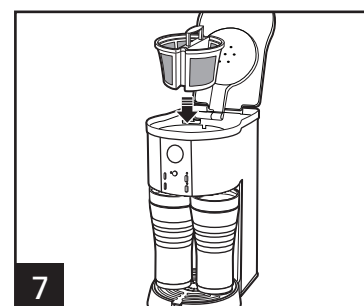


5



6

**NOTA:** Ver "Consejos para Usar la Canasta con Filtro Dividido de Malla de Nylon".



7



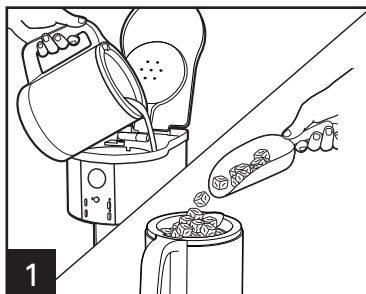
# Cómo Preparar Café Helado

\*El cucharón de café es una característica opcional en modelos seleccionados.

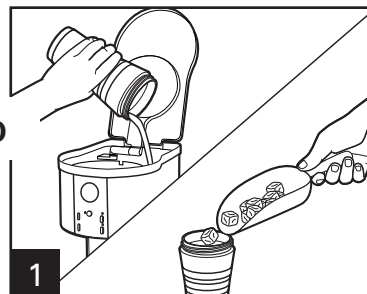
## Tabla de Uso del Café:

**1 tarro** = 1/2 tarro de hielo, 1 1/2 tazas de agua, 3 cucharones\* o cucharadas niveladas de café molido

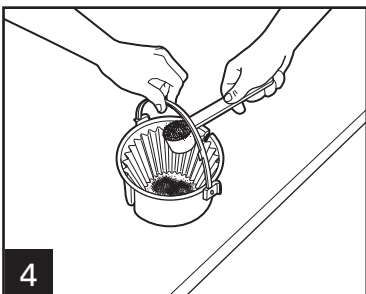
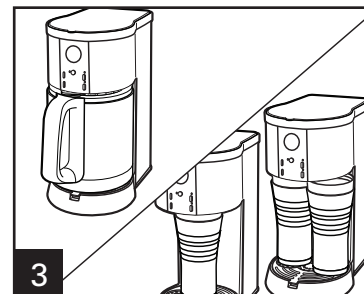
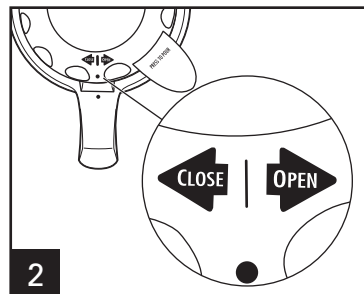
**2 tarros** = 1/2 tarro (cada uno) de hielo, 3 tazas de agua, 6 cucharones\* o cucharadas niveladas de café molido



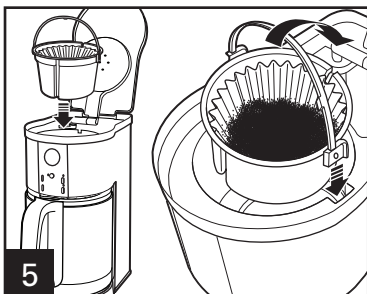
1 Llene el depósito de agua hasta un máximo de 5 tazas y el recipiente térmico con hielo hasta debajo del borde interno.



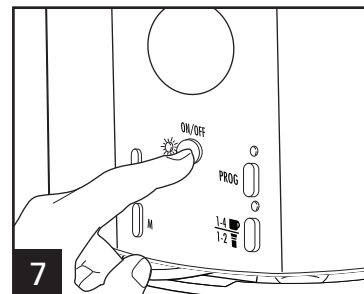
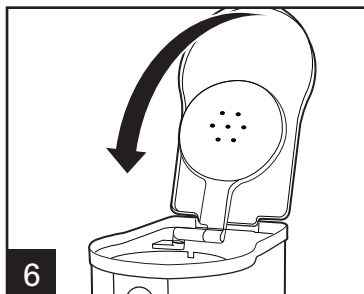
1 **ADVERTENCIA:** No llene más allá  $\frac{1}{2}$  para preparar un tarro o  $\frac{1}{4}$  para preparar dos tarros. El café caliente que se desborda es un riesgo de quemaduras. Alinee con la traba abierta para girar y trabar en su lugar.



4 Prepare café de doble intensidad para el café helado. Para una jarra llena, use 10 cucharadas de café molido.



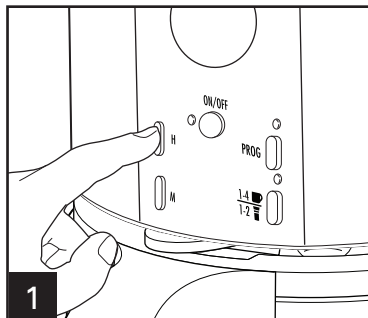
5 Trabe la canasta del filtro en su lugar. **IMPORTANTE:** La tapa no se cerrará del todo si la manija de la canasta del filtro no está bien trabada.



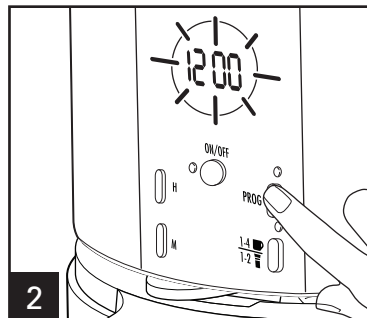
7 **IMPORTANTE:** No remueva la jarra o tarros de viaje térmicos hasta que la luz se apague. La cafetera se apagará inmediatamente después de la preparación.

33

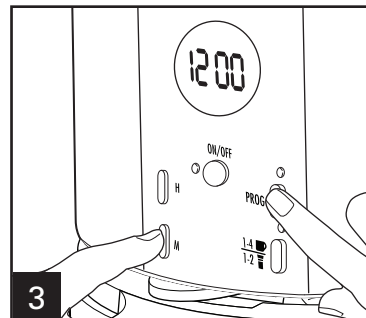
# Programación



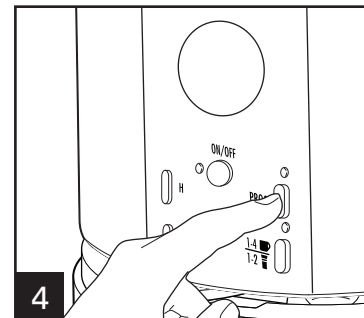
**1** Presione **H** y luego **M** para configurar el reloj.



**2** Sostenga **PROG** hasta que el reloj comience a destellar.



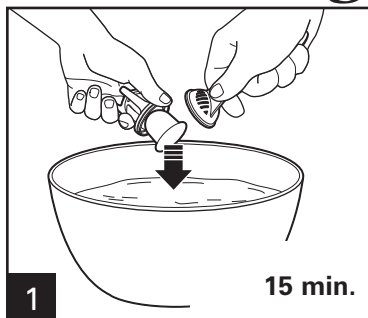
**3** Continúe sosteniendo el botón **PROG**, presione **H** y **M** hasta alcanzar el tiempo deseado de inicio de preparación.



**4** Presione **PROG** momentáneamente para activar la preparación automática.

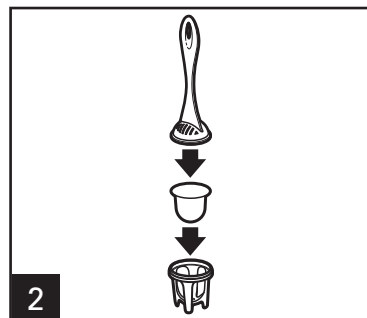
# Filtro de Agua (accesorio opcional)

El filtro de agua puede ayudar a obtener un café de mejor sabor, puesto que elimina el cloro y las impurezas del agua de grifo. Se recomienda un cambio de filtro cada 60 ciclos de preparación.

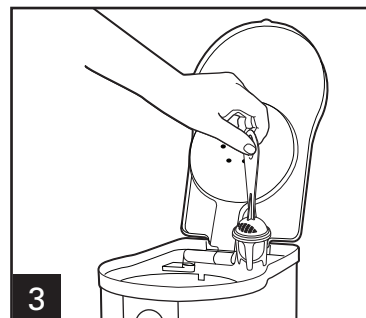


**1**

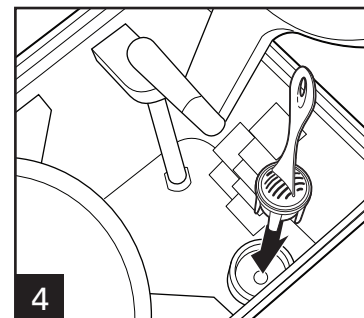
15 min.



**2**



**3**



**4**

## Consejos para Lograr un Café más Rico

- Todos los cafés están hechos de granos de arábica o robusta, o de una combinación de ambos. Los granos de arábica son un poco más caros pero tienden a producir un café de mejor sabor.
- El café molido se pone rancio más rápido que los granos enteros. Si compra café premolido, elija un paquete con la fecha de vencimiento más alejada o de menor cantidad.
- Si va a moler granos enteros, configure su molino de café en un molido fino/mediano. Esto genera el café molido de mejor sabor. Trate de utilizar el café recién molido dentro de la semana de molido.
- Usar un filtro de agua, agua filtrada o agua mineral genera un café más rico que usar agua de grifo.
- Utilice aproximadamente 1 cucharada de café molido por cada taza de café a preparar. Para evitar los desbordes, utilice 1/3 menos de café cuando prepare cafés descafeinados o saborizados.
- Asegúrese de que su cafetera esté limpia. Ver la sección "Limpieza con Vinagre".
- **Para un Café Más Caliente:** Antes de la preparación, llene la jarra o el tarro de viaje térmico con agua caliente del grifo y deje reposar durante 1 minuto; luego vacíe el agua y siga los pasos de "Cómo Preparar Café".

## Consejos para Usar la Canasta con Filtro Dividido de Malla de Nylon

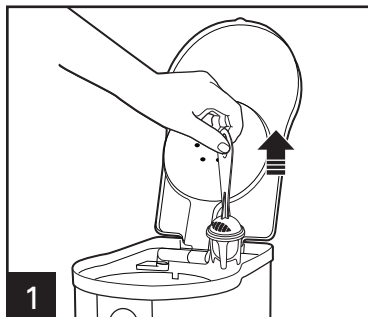
### TRATE DE PREPARAR:

- Descafeinado en un lado, café común en el otro
- Dos tipos de cafés saborizados (por ejemplo, vainilla en un lado, avellana en el otro)
- Café en un lado, té caliente en el otro

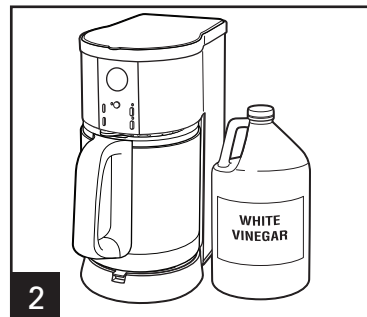
**NOTAS:** Cuando prepare té caliente DESPUÉS de preparar café utilizando la canasta con filtro dividido de malla de nylon, puede haber un sabor a café residual. Para quitarlo, deje el filtro en la cafetera y haga funcionar un ciclo limpio utilizando vinagre/agua. Ver "Limpieza con Vinagre".

Es normal que la canasta con filtro dividido de malla de nylon se manche y ésto no afecta el desempeño del producto.

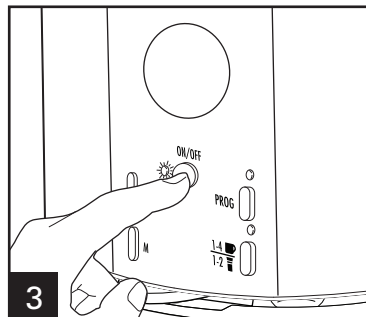
## Limpeza con Vinagre



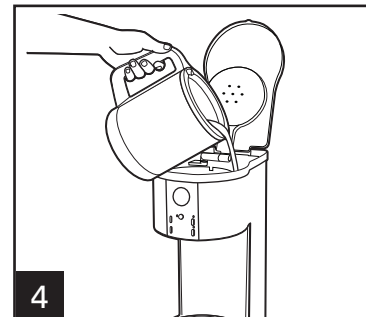
1 Quite el filtro de agua opcional.



2 Coloque 1 pinta (2 tazas/500 ml) de vinagre en el depósito de agua.



3 Presione ON ① (encendido). **Apague (OFF) ① después de 20 segundos y espere durante 30 minutos.** Presione ON ① (encendido). La unidad se apagará automáticamente cuando el ciclo de preparación esté completo. Cuando se enfríe, vacíe el depósito y enjuague.



4 Haga funcionar durante 2-3 ciclos sólo con AGUA LIMPIA. Deje enfriar entre ciclos.

# Resolviendo Problemas

## PROBLEMA

## CAUSA PROBABLE

El portafiltros se desborda o la preparación del café es muy lenta.

- Cantidad de café en exceso.
- El café molido es demasiado fino. Ajuste el molino de café a goteo automático.
- La cafetera necesita limpiarse.

### Si utiliza un filtro de papel:

- Hay granos de café entre el filtro de papel y el portafiltros.
- El filtro de papel no está abierto ni en la posición apropiada.
- Enjuague la canasta portafiltros antes de insertar el filtro de papel para que los bordes permanezcan presionados contra los lados de la canasta.
- El filtro de papel es de baja calidad.

Hay pérdidas de café en la base.

- Los tarros de viaje térmicos no están sentados adecuadamente en los indicadores de posición de la base. Consulte "Cómo preparar café" para la posición correcta de los tarros de viaje térmicos durante la preparación.

El café sabe mal.

- La cafetera necesita limpiarse.
- El café molido es muy grueso o muy fino. Ajuste el molino de café a molido goteo automático.
- La cantidad de café-agua no es la correcta. Ajuste según la preferencia personal.
- El café es de baja calidad y fresca.
- El agua es de baja calidad (use agua filtrada o embotellada).

Sedimentos de café en la taza.

- Use un filtro de papel tipo canastilla de alta calidad en lugar del filtro de café permanente opcional.

## Resolviendo Problemas (cont.)

### PROBLEMA

No está en marcha la preparación del café/ la unidad no enciende.

Tiempo de preparación más largo de lo normal.

### CAUSA PROBABLE

- El recipiente del agua está vacío.
  - La unidad está desenchufada.
  - Corte de corriente.
  - Subida de voltaje. Desenchufe, luego enchufe la unidad de nuevo.
  - El reloj necesita ser reajustado después de un corte de corriente.
- 
- Depósitos minerales pueden acumularse en la bomba de la cafetera. Se recomienda una limpieza periódica de la unidad. Es posible que sea necesaria una limpieza más frecuente, dependiendo de la dureza del agua de su casa. Vea la sección "Limpieza con Vinagre".  
**NOTA:** No desarme la unidad.
  - Se seleccionó el modo de 1–4 tazas para un recipiente entero.

# Hamilton Beach®

Importado por Grupo HB PS, S.A. de C.V.  
Monte Elbruz No. 124 Int. 301  
Col. Palmitas Polanco  
México, D.F. C.P. 11560  
01-800-71-16-100

## PÓLIZA DE GARANTÍA

PRODUCTO:	MARCA:	MODELO:
Grupo HB PS, S.A. de C.V. cuenta con una Red de Centros de Servicio Autorizada, por favor consulte en la lista anexa el nombre y dirección de los establecimientos en la República Mexicana en donde usted podrá hacer efectiva la garantía, obtener partes, componentes, consumibles y accesorios; así como también obtener servicio para productos fuera de garantía. Para mayor información llame sin costo: <b>Centro de Atención al consumidor: 01 800 71 16 100</b>		
Grupo HB PS, S.A. de C.V. le otorga a partir de la fecha de compra: <b>GARANTÍA DE 1 AÑO.</b>		
<b>COBERTURA</b>		
<ul style="list-style-type: none"><li>• Esta garantía ampara, todas las piezas y componentes del producto que resulten con defecto de fabricación incluyendo la mano de obra.</li><li>• Grupo HB PS, S.A. de C.V. se obliga a reemplazar, reparar o reponer, cualquier pieza o componente defectuoso; proporcionar la mano de obra necesaria para su diagnóstico y reparación, todo lo anterior sin costo adicional para el consumidor.</li><li>• Esta garantía incluye los gastos de transportación del producto que deriven de su cumplimiento dentro de su red de servicio.</li></ul>		
<b>LIMITACIONES</b>		
<ul style="list-style-type: none"><li>• Esta garantía no ampara el reemplazo de piezas deterioradas por uso o por desgaste normal, como son: cuchillas, vasos, vasos, filtros, etc.</li><li>• Grupo HB PS, S.A. de C.V. no se hace responsable por los accidentes producidos a consecuencia de una instalación eléctrica defectuosa, ausencia de toma de tierra, clavija de enchufe en mal estado, etc.</li></ul>		
<b>EXCEPCIONES</b>		
Esta garantía no será efectiva en los siguientes casos: <ul style="list-style-type: none"><li>a) Cuando el producto se hubiese utilizado en condiciones distintas a las normales. (Uso industrial, semi-industrial o comercial.)</li><li>b) Cuando el producto no hubiese sido operado de acuerdo con el instructivo de uso.</li><li>c) Cuando el producto hubiese sido alterado o reparado por personas no autorizadas por Grupo HB PS, S.A. de C.V. el fabricante nacional, importador o comercializador responsable respectivo.</li><li>d) Esta garantía pierde su validez si el producto es utilizado en un medio diferente a una vivienda unifamiliar o se somete a cualquier voltaje o forma de onda diferente a la especificada en la etiqueta de clasificación (ej., 120V ~ 60 Hz).</li></ul> El consumidor puede solicitar que se haga efectiva la garantía ante la propia casa comercial donde adquirió su producto, siempre y cuando Grupo HB PS, S.A. de C.V. no cuente con talleres de servicio.		

**PROCEDIMIENTO PARA HACER EFECTIVA LA GARANTÍA**

- Para hacer efectiva la garantía no deben exigirse mayores requisitos que la presentación del producto y la póliza correspondiente, debidamente sellada por el establecimiento que lo vendió.
- Para hacer efectiva la garantía, lleve su aparato al Centro de Servicio Autorizado más cercano a su domicilio (consulte la lista anexa).
- Si no existe Centro de Servicio Autorizado en su localidad llame a nuestro Centro de Atención al Consumidor para recibir instrucciones de como hacer efectiva su garantía.
- El tiempo de reparación, en ningún caso será mayor de 30 días naturales contados a partir de la fecha de recepción del producto en nuestros Centros de Servicio Autorizados.
- En caso de que el producto haya sido reparado o sometido a mantenimiento y el mismo presente deficiencias imputables al autor de la reparación o del mantenimiento dentro de los treinta días naturales posteriores a la entrega del producto al consumidor, éste tendrá derecho a que sea reparado o mantenido de nuevo sin costo alguno. Si el plazo de la garantía es superior a los treinta días naturales, se estará a dicho plazo.
- El tiempo que duren las reparaciones efectuadas al amparo de la garantía no es computable dentro del plazo de la misma. Cuando el bien haya sido reparado se iniciará la garantía respecto de las piezas repuestas y continuará con relación al resto. En el caso de reposición del bien deberá renovarse el plazo de la garantía.

DÍA\_\_ MES\_\_ AÑO\_\_

Si desea hacer comentarios o sugerencias con respecto a nuestro servicio o tiene alguna queja derivada de la atención recibida en alguno de nuestros Centros de Servicio Autorizados, por favor dirigirse a:

**GERENCIA INTERNACIONAL DE SERVICIO**  
01 800 71 16 100  
Email: [mexico.service@hamiltonbeach.com.mx](mailto:mexico.service@hamiltonbeach.com.mx)

**RED DE CENTROS DE SERVICIO AUTORIZADA GRUPO HB PS, S.A. DE C.V.**

**Distrito Federal**

**ELECTRODOMÉSTICOS**

Av. Plutarco Elías Calles No. 1499  
Zacahuiztco MEXICO 09490 D.F.

Tel: 01 55 5235 2323 • Fax: 01 55 5243 1397

**CASA GARCIA**

Av. Patriotismo No. 875-B  
Mixcoac MEXICO 03910 D.F.

Tel: 01 55 5563 8723 • Fax: 01 55 5615 1856

**Nuevo Leon**

**FERNANDO SEPULVEDA REFACCIONES**

Ruperto Martínez No. 238 Ote.  
Centro MONTERREY, 64000 N.L.

Tel: 01 81 8343 6700 • Fax: 01 81 8344 0486

**Jalisco**

**SERVICIOS DE MANTENIMIENTO CASTILLO**

Garibaldi No. 1450  
Ladrón de Guevara  
GUADALAJARA 44660 Jal.

Tel: 01 33 3825 3480 • Fax: 01 33 3826 1914

**Chihuahua**

**DISTRIBUIDORA TURMIX**

Av. Paseo Triunfo de la Rep. No. 5289 Local 2 A.  
Int. Hipermart

Alamos de San Lorenzo  
CD. JUAREZ 32340 Chih.

Tel: 01 656 617 8030 • Fax: 01 656 617 8030

**Modelos:**

**45237, 45237C, 45237R, 45237RC, 45238, 45238C**

**Tipo:**

**A49**

**Características Eléctricas:**

**120V~ 60Hz 900W**

**Los números de modelo también pueden estar seguidos del sufijo "MX".**

840168003

10/12



## Free Manuals Download Website

<http://myh66.com>

<http://usermanuals.us>

<http://www.somanuals.com>

<http://www.4manuals.cc>

<http://www.manual-lib.com>

<http://www.404manual.com>

<http://www.luxmanual.com>

<http://aubethermostatmanual.com>

Golf course search by state

<http://golfingnear.com>

Email search by domain

<http://emailbydomain.com>

Auto manuals search

<http://auto.somanuals.com>

TV manuals search

<http://tv.somanuals.com>