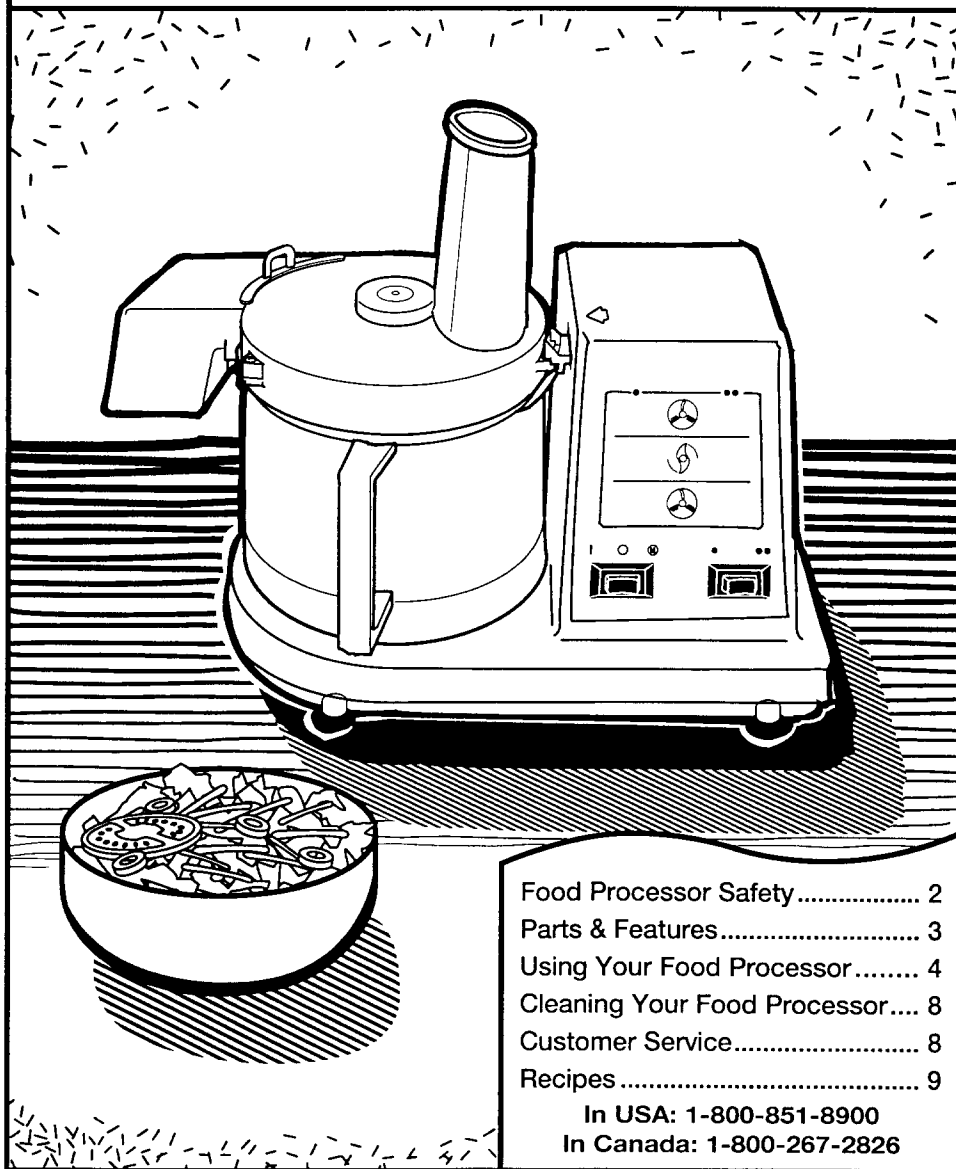


# Hamilton Beach. *Food Processor*



5 1/2" x 8 1/2"  
 32 PAGES  
 ENGLISH  
 FRENCH  
 BLACK  
 INK  
 NO BLEED  
 SADDLE  
 FLIP

840066200

RECORD PRINT  
Issued On:

JAN 14 2000

FINAL APPROVAL:

AAC

DATE:

1/13/00

# Food Processor Safety

## IMPORTANT SAFEGUARDS

When using electrical appliances, basic safety precautions should always be followed, including the following:

1. Read all instructions.
2. To protect against risk of electrical shock, do not immerse base, motor, cord, or plug in water or other liquid.
3. Close supervision is necessary when any appliance is used by or near children.
4. Unplug cord from outlet when not in use, before putting on or taking off parts, and before cleaning.
5. Avoid contacting moving parts. Keep fingers out of discharge opening.
6. Do not operate any appliance with a damaged cord or plug or after the appliance malfunctions or is dropped or damaged in any manner. Call our toll free customer service number for information on examination, electrical repair, mechanical repair, or adjustment.
7. The use of attachments not recommended or sold by Hamilton Beach/Proctor-Silex, Inc. may cause fire, electric shock, or injury.
8. Do not use outdoors.
9. Do not let cord hang over edge of table or counter, or touch hot surfaces.
10. Never feed food into food chute by hand. Always use food pusher.
11. The blades and discs are sharp. Handle carefully. Store out of reach of children.
12. Make sure the blade or disc has come to a full stop before removing cover.
13. Keep hands and utensils away from moving blades and discs while processing food to reduce the risk of severe personal injury and/or damage to the food processor. A rubber scraper may be used but ONLY when the food processor is not running.
14. To reduce the risk of injury, never place cutting blade or discs on base without first putting bowl properly in place.
15. Be certain cover is securely locked in place before operating appliance.
16. Do not attempt to defeat the cover interlock mechanism.
17. To reduce the risk of injury, be sure to insert or remove blades and discs using finger holes provided for this purpose. Use caution when removing blades and discs from the bowl, when emptying the bowl, and when cleaning.

## SAVE THESE INSTRUCTIONS!

### Consumer Safety Information

**This appliance is intended for household use only.**

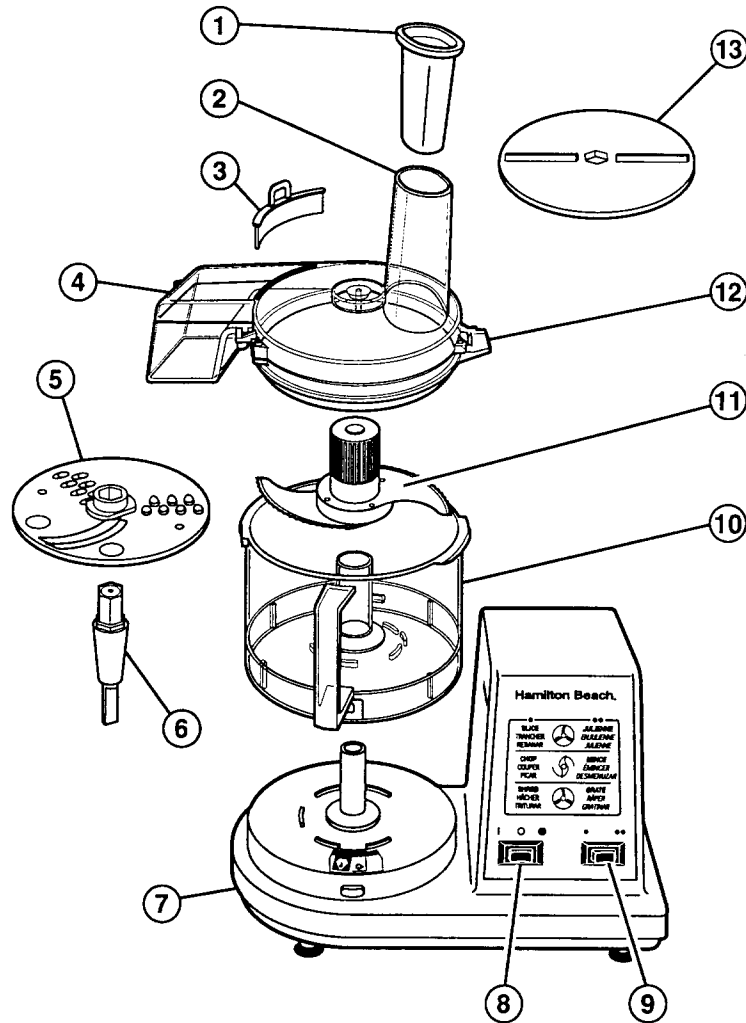
This appliance is equipped with a polarized plug. This type of plug has one blade wider than the other. The plug will fit into an electrical outlet only one way. This is a safety feature intended to help reduce the risk of electrical shock. If you are unable to insert the plug into the outlet, try reversing the plug. If the plug should still fail to fit, contact a qualified electrician to replace the obsolete outlet. Do not attempt to defeat the safety purpose of the polarized plug by modifying the plug in any way.

To avoid an electrical circuit overload, do not use another high wattage appliance on the same circuit with your food processor.

The length of the cord used on this appliance was selected to reduce the hazards of becoming tangled in, or tripping over a longer cord. If a longer cord is necessary an approved extension cord may be used. The electrical rating of the extension cord must be equal to or greater than the rating of the food processor. Care must be taken to arrange the extension cord so that it will not drape over the countertop or tabletop where it can be pulled on by children or accidentally tripped over.

## Parts & Features

1. Food Pusher
2. Food Chute
3. Food Gate – leave in cover for regular processing; remove for continuous processing.
4. Continuous Feed Chute
5. Reversible Slicer/ Shredder Disc
6. Disc Shaft
7. Base
8. Control Switch
9. Speed Switch
10. Bowl
11. S-Blade
12. Cover
13. Continuous Feed Disc – must be used for continuous processing; this disc “throws” the food through the Continuous Feed Chute.



# Using Your Food Processor

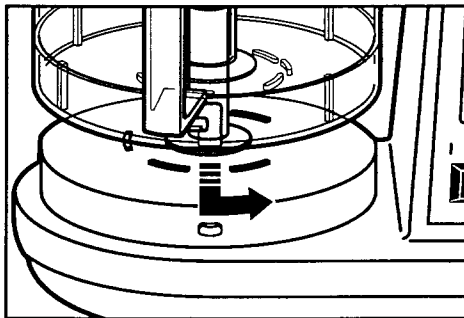
## NOTES:

- Always lock the processor bowl on base before putting any blade or disc in position. Make sure blade or disc is securely in place before using.
- With this food processor you can process in the processor bowl or use continuous processing option for slicing and shredding into a separate container. The continuous feed chute allows slicing or shredding foods in large quantities.
- **Do not** use continuous processing to slice meat or cheese. The texture of these foods tends to clog the the continuous feed chute.

## Hints!

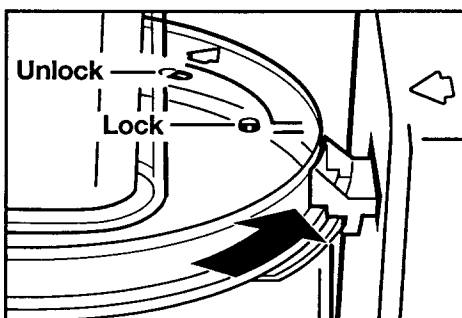
- The bowl will hold 6 to 7 cups of dry ingredients or 2 cups of liquid. Do not overfill.
- Do not use your food processor to crush ice.
- For consistent texture, foods should be cut into 1-inch cubes before mincing or chopping with the S-Blade.

## How to Lock the Bowl



Place bowl onto base with the handle facing you. Rotate the bowl counter-clockwise until it locks into place.

## How to Lock the Cover



Place cover on bowl with "Unlock" arrow aligned with arrow on control panel. Turn counterclockwise until "Lock" symbol aligns with arrow.

**NOTE: THE MOTOR WILL NOT OPERATE UNLESS COVER IS LOCKED.** This ensures the cover is always securely latched when unit is in operation.

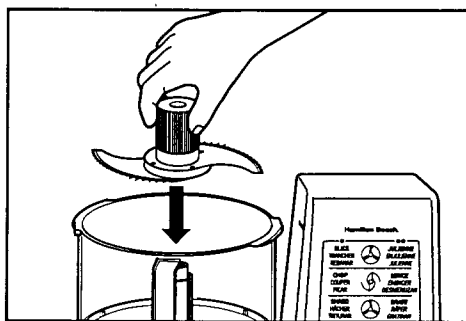
## Normal Processing

1. Make sure the Control Switch is turned to OFF (O) and the unit is unplugged.
2. Lock the bowl onto base. (See "How to Lock the Bowl" on page 4.)
3. Choose the blade or disc to be used: S-Blade or Slicer/Shredder Disc. Handle carefully; the blades and disc are sharp. (See the "Processing Chart" on page 7 for more information about which attachment to use for your specific application.)

### S-Blade

The S-Blade should be used to mince or chop foods, mix ingredients, or to puree a mixture.

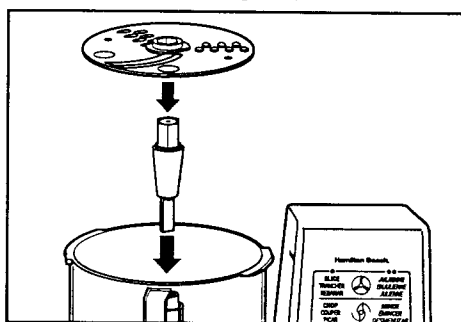
4. Place the S-Blade onto center column of food processor in center of bowl. Turn slowly until blade drops into place.



5. Lock cover onto bowl. (See "How to Lock the Cover" on page 4.) Insert food pusher into food chute.
6. Plug in unit and process food to desired texture. The processing speed and time will determine the finished consistency of the food. The PULSE/MOMENTARY (M) position can help you avoid over-processing.

### Slicer/Shredder Disc

- To slice or shred cheese, select firm cheese like cheddar, monterey jack, or swiss. Place cheese in freezer for 1 hour before processing.
  - The Reversible Slicer/Shredder Disc has a slicing blade on one side and shredding teeth on the other. Place on shaft with desired cutting edge facing up.
  - To julienne vegetables, slice then remove from bowl and restack the vegetables. Pack into food chute with slices vertical. Slice again to make match-stick cut vegetables.
4. Put disc shaft on center column and put Slicer/Shredder Disc in place with the desired side facing up for either slicing or shredding. Lock cover onto bowl. (See "How to Lock the Cover" on page 4.)

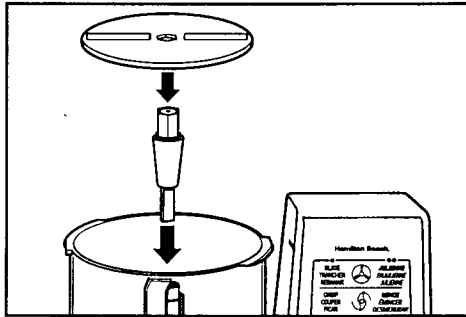


5. Cut food to fit food chute. Pack food chute tightly with food. Insert food pusher in chute. **Always use the food pusher to feed food into the chute. NEVER PUSH FOOD THROUGH CHUTE WITH HANDS.**
6. Plug in unit and process food.
7. Select speed. While pressing on food pusher, move switch to ON (I) or PULSE/MOMENTARY (M) to process food.
8. When food chute is empty, move switch to OFF (O) or release from PULSE/MOMENTARY (M) position. **Wait until blade has stopped rotating before removing cover.**

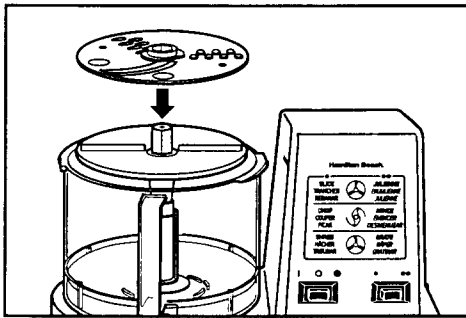
## Continuous Processing

**IMPORTANT:** When using the continuous feed chute the food gate must be removed and the continuous feed disc must be in place.

1. Make sure the Control Switch is turned to OFF (O) and the unit is unplugged.
2. Lock the bowl onto base. (See "How to Lock the Bowl" on page 4.)
3. Place disk shaft onto center column, select desired side of Continuous Feed Disc and place onto disc shaft. The Continuous Feed Disc has a ribbed side to use for cabbage and leafy greens, and a flat side to use with other foods.



4. Select desired side of Reversible Slicer/Shredder Disc and place that side up, on disc shaft.

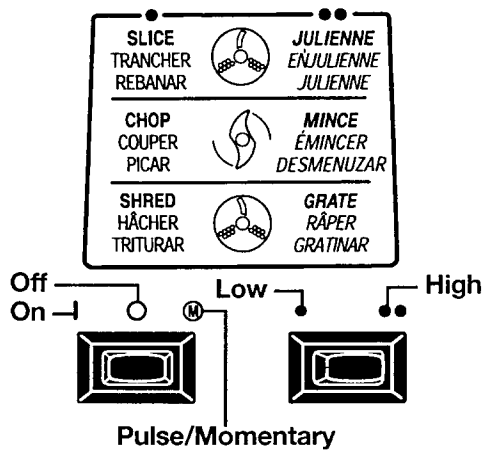


5. REMOVE FOOD GATE FROM CONTINUOUS FEED COVER TO PREVENT DAMAGE TO UNIT.

6. Lock on cover. (See "How to Lock the Cover" on page 4.)
7. Plug in unit and select speed. Process food. Check the Continuous Feed Chute frequently to make sure the opening is not blocked. If blocked, turn unit off and unplug. Clear blockage, then reassemble and continue processing.

**NOTE:** When using the Continuous Feed Chute, some food may fall into the food processor bowl.

## How to Operate the Controls






The control panel provides quick-reference graphics which indicate the correct blade or disc for a job:

**Speed Switch:** Move the speed switch to either LOW (•) or HIGH (••) speed before turning on the motor with the Control Switch.

**Control Switch:** The three-position Control Switch gives you a choice of ON (I), OFF (O), or PULSE/MOMENTARY (Ⓜ). Selecting the ON (I) position will cause the motor to run continuously until you move the switch to OFF (O). The PULSE/MOMENTARY (Ⓜ) position will cause the motor to run only until you release the switch; then it automatically springs back to the OFF (O) position.

## Processing Chart

ATTACHMENT	SPEED	FOODS
<b>Slicer disc</b> (slicing blade facing up) 	Low (•)	Cucumbers, apples, mushrooms
	High (••)	Julienne vegetables
<b>S-Blade</b> 	Low (•)	Chop nuts, mince vegetables
	High (••)	Chop meat, puree food
<b>Shredder disc</b> (shredding teeth facing up) 	Low (•)	Cabbage
	High (••)	Firm cheeses

Operating time will depend on quantity of food being processed. Most foods can be sliced, chopped, or shredded seconds. Do not operate processor for more than 1 minute at a time. If processing large quantities, let processor rest about 1 minute before continuing.

# *Cleaning Your Food Processor*

1. Wash the bowl, cover, blade, discs, and food pusher in hot, soapy water. Rinse and dry thoroughly.  
**NOTE:** Do not store the food processor with the cover in the locked position, as this may put strain on the interlock tab.
2. Wipe the base, control panel, and cord with a damp cloth or sponge. To remove stubborn soil, use a mild non-abrasive cleanser.  
**NEVER IMMERSER THE BASE IN WATER OR OTHER LIQUID.**

## *Customer Service*

If you have a question about your food processor, call our toll-free customer service number. Before calling, please note the model, type, and series numbers and fill in that information below. These numbers can be found on the bottom of your food processor. This information will help us answer your question much more quickly.

**MODEL:** \_\_\_\_\_ **TYPE:** \_\_\_\_\_ **SERIES:** \_\_\_\_\_

### **TWO YEAR LIMITED WARRANTY**

Hamilton Beach/Proctor-Silex, Inc. warrants this appliance to be free from defects in material and workmanship for a period of two (2) years from the date of original purchase, except as noted. There is no warranty with respect to the following, which may be supplied with this appliance: glass parts, glass containers, cutter/strainer, blades and/or agitators. This warranty extends only to the original consumer purchaser and does not cover damage from abuse, neglect, use for commercial purposes, or any other use not found in the printed directions. HAMILTON BEACH/PROCTOR-SILEX, INC. EXPRESSLY DISCLAIMS ALL RESPONSIBILITY FOR CONSEQUENTIAL DAMAGES OR INCIDENTAL LOSSES CAUSED BY USE OF THIS APPLIANCE. Some states or provinces do not allow this exclusion or limitation of incidental or consequential losses, so the foregoing disclaimer may not apply to you. If you have a claim under this warranty, **DO NOT RETURN THE APPLIANCE TO THE STORE!** Please call our **CUSTOMER SERVICE NUMBER.** (For faster service please have model, series, and type numbers ready for operator to assist you.)

### **CUSTOMER SERVICE NUMBERS**

In the U.S. 1-800-851-8900

In Canada 1-800-267-2826

**Web site address: [www.hamiltonbeach.com](http://www.hamiltonbeach.com)**

**KEEP THESE NUMBERS FOR FUTURE REFERENCE!**

This warranty gives you specific legal rights, and you may also have other legal rights which vary from state to state, or province to province.



# Recipes

## Blue Cheese Dressing

2 cloves garlic	½ cup sour cream
4 ounces blue cheese	¼ cup fresh lemon juice
2 cups mayonnaise	2 tablespoons sugar

Using S-Blade, with processor running, drop garlic cloves into the food chute and mince. Add cheese and process for 10 seconds. Add mayonnaise, sour cream, lemon juice, and sugar. Process until smooth. Keep refrigerated.

**Yield: 3 cups.**

## Hummus

2 cloves garlic	2 teaspoons olive oil
2 green onions, white portion and half of green top	¼ teaspoon cumin
15 ounce garbanzo beans (chick peas), drained, reserving ¼ cup liquid	dash cayenne
¼ cup tahini (sesame paste), stirred	salt and pepper to taste
3 to 4 tablespoons lemon or lime juice	dash paprika
	pita bread or cut up vegetables, optional

Using S-Blade, with processor running, drop garlic cloves and onion into food chute and mince. Add garbanzo beans, tahini, lemon or lime juice, olive oil, cumin, cayenne, salt, and pepper. Continue to process until smooth, scraping bowl as needed. Place into serving bowl and garnish with paprika. Serve with pita bread and/or vegetables. To store, refrigerate. **Makes about 2 cups.**

## Salsa

1 onion, peeled and quartered	¼ cup cilantro, packed
1 clove garlic	½ teaspoon cumin
1 hot pepper (jalapeno or finger hot), cored, seeded and quartered	1 tablespoon lime juice
4 tomatoes, quartered	salt and pepper to taste
	hot sauce, optional

Using S-Blade, with processor running, drop onion, garlic cloves, and hot pepper through the food chute and chop until finely minced. Stop processor. Add tomatoes, cilantro, cumin, lime juice, salt, and pepper to the processor bowl. Pulse until desired texture. Add hot sauce if desired. **Makes 2 to 3 cups.**

## Cranberry Orange Relish

12 ounces fresh cranberries, stems removed or frozen	3 tablespoons Grand Marnier liqueur or orange juice
1 cup sugar	dash ground cloves
1 small navel orange, washed, cut into wedges	

Using S-Blade, place cranberries, sugar, orange, Grand Marnier or orange juice, and cloves into the processor bowl. Process until cranberries are almost smooth, yet a bit chunky. Cover and refrigerate overnight. This will thicken as it sits. **Makes about 2½ cups.**

## Chicken Puffs

1 pound cooked chicken, (1½ cups finely chopped chicken)	½ teaspoon each, salt and celery seed
¼ cup packed parsley sprigs	¼ teaspoon each, dry mustard and onion powder
1 cup chicken broth	1 cup flour
½ cup vegetable oil	4 eggs
1 tablespoon Worcestershire sauce	

Cut chicken in large chunks and using S-Blade place chicken and parsley in processor bowl and pulse until finely chopped. Remove and set aside. In a large saucepan over high heat, mix chicken broth, oil, and Worcestershire sauce. Bring to a boil. Stir the 4 seasonings into flour. When broth reaches a boil, dump in flour all at once. Stir until the dough forms a ball. Place dough into mixing bowl. Add eggs one at a time, mixing well after each egg. Stir in chicken, and parsley. Drop by spoonfuls, size of golf ball, onto baking sheet. Bake at 450°F for 12 to 15 minutes. **Yield: 4 dozen.**

## Potato-Leek Soup

3 pounds potatoes, peeled	1½ teaspoons salt
3 to 4 leeks, both root and leaf ends trimmed	¼ teaspoon pepper
8 ounces bacon	½ cup milk
2 quarts water	3 tablespoons flour

Using Slicer/Shredder Disc, slicing side up, slice potatoes. Remove to large mixing bowl and cover with cold water; set aside. Slice leeks. To clean leeks, place in a colander and toss gently under running water. In a soup pot or Dutch oven, cook bacon until crisp. Remove bacon and set aside. Add leeks to the bacon grease in the pot. Cook and stir occasionally over medium heat for about 10 minutes. Increase heat to high and add water, potatoes, salt, and pepper. Bring soup to a boil then reduce heat and simmer, uncovered, for 15 to 20 minutes. In a small bowl, whisk together milk with flour. Slowly stir milk mixture into simmering soup and simmer for 5 minutes. Garnish with crumbled bacon bits. **Yield: 6 to 8 servings.**

## Lentil Soup

½ pound bacon	16 ounce bag lentils
1 large onion	2 quarts water
6 parsnips, peeled, ends removed, cut into 1-inch pieces	1 bay leaf
8 celery ribs with leaves	1 teaspoon salt
6 carrots, ends removed	sour cream, optional

In a soup pot or Dutch oven, cook bacon until crisp. Remove and reserve 4 slices of bacon to be used as garnish. Leave bacon drippings in pot. Using S-Blade, chop onion and parsnips. Add chopped onion and parsnips to bacon drippings in pot and cook over medium heat until softened, about 7 minutes. Using Slicer/Shredder Disc, slicing side up, slice celery and carrots. Add the celery, carrots, lentils, water, bay leaf, and salt to onion mixture. Bring to boil then reduce heat and simmer, covered, for 40 minutes. At serving time, garnish with sour cream and crumbled bacon. **Yield: 8 servings.**

**NOTE:** Lentils do not need to be soaked overnight.

## Creamed Potatoes

4 pounds all-purpose white potatoes, about 15 medium	1½ teaspoons salt
3 cups half'n'half cream	¼ teaspoon pepper
3 tablespoons finely minced onion	4 tablespoons butter, melted

Scrub the potatoes but do not peel. Place in a large pot and cover with water. Bring to boil then reduce heat and simmer for 45 minutes or until done. Refrigerate overnight. Using Slicer/Shredder Disk, shredding side up, grate the potatoes. It is not necessary to peel them. Place grated potatoes, half'n'half, onion, salt, and pepper in a large bowl and stir to mix. Put butter in a 9x13-inch baking dish and rotate dish to coat. Spoon in potato mixture. Bake at 375°F for 1 hour. **Makes 10 servings.**

## Sweet Potato Pudding

1 to 1¼ pounds sweet potatoes, scrubbed but not peeled, and cut to fit food chute (3 cups grated)	1 cup milk
½ cup sugar	1 egg
¼ cup maple syrup	¼ cup butter
	1 teaspoon vanilla

Using Slicer/Shredder Disc, shredding side up, grate sweet potatoes. Remove from processor bowl and place in medium mixing bowl. Set aside. Using S-Blade, place sugar, syrup, milk, egg, butter, and vanilla into processor bowl. Process until smooth. Pour over shredded sweet potatoes. Mix thoroughly. Pour into greased 1½ quart casserole dish. Place casserole dish into a larger pan or dish. Add hot water to larger pan, so water will be 1 to 2 inches up the side of casserole dish. This will prevent the edges from burning. Bake at 350°F for 1½ hours.

**Yield: Makes 6 servings.**

## Vegetable Lasagna

8 ounces reduced-fat mozzarella cheese	8-ounce package light cream cheese, cut into chunks
1 medium onion, peeled, cut into chunks	¾ cup skim milk ricotta cheese
4 garlic cloves	½ cup light sour cream
4 to 6 ounces fresh mushrooms	1 egg
1 teaspoon vegetable oil	2 teaspoons dried Italian seasoning
2 zucchini, approximately 6 inches each, cut into chunks	26 ounce can spaghetti sauce
2 ounces parmesan cheese, cut into ½-inch chunks (about ⅓ cup grated)	6 lasagna noodles, cooked

Using Slicer/Shredder Disc, shredding side up, shred mozzarella. Place in a small bowl and set aside. Using S-Blade, place onion and garlic cloves into processor bowl. Pulse until coarsely chopped. Add mushrooms to bowl. Continue to pulse until mushrooms are coarsely chopped. Place chopped vegetables in a large skillet with oil, over medium heat. Using S-Blade, place zucchini in processor bowl. Pulse until coarsely chopped. Add zucchini to skillet. Cook until tender,

about 10 minutes; set aside. Without washing the processor bowl, using S-Blade place parmesan cheese chunks in bowl and process on High until coarsely chopped. Add the cream cheese, ricotta cheese, sour cream, egg, and Italian seasonings and process until creamy, about 30 to 40 seconds. Grease a 9x13-inch baking dish. Layer half each of noodles, cream cheese mixture, chopped vegetable mixture and spaghetti sauce. Repeat layers once. Sprinkle with mozzarella. Bake, covered, at 350°F for 25 minutes. Uncover and cook an additional 10 minutes. Let stand 10 minutes before serving. **Yield: 8 servings.**

**NOTE:** Mozzarella cheese will shred easier if placed in freezer for one hour before shredding.

## Lasagna

1 pound mozzarella cheese	2.5 ounces parmesan cheese, cut in
1 pound mild Italian sausage	½-inch cubes (½ cup grated)
1 pound ground beef	1 cup parsley sprigs
2 cloves garlic	1 pound small curd cottage cheese
1 medium onion, peeled & cut in eighths	15-ounce container Ricotta cheese
1 rib celery, cut in 2-inch pieces	2 eggs
26 ounce can spaghetti sauce	12 lasagna noodles, uncooked
8 ounce can tomato sauce	

Using Slicer/Shredder Disc, with slicing blade up, slice mozzarella and set aside. Remove casings from sausage. In a large skillet or large heavy saucepan over medium high heat, cook and crumble sausage and ground beef. Using S-Blade, with processor running, drop garlic through food chute and mince. Stop processor. Add onion and celery to the processor bowl. Pulse until chopped then add to skillet. Cook until onion is soft. Place cooked meats and vegetables in large bowl. Add spaghetti and tomato sauce and stir to mix. Using S-Blade, process parmesan cheese on High until finely grated, about 20 seconds. Add parsley to the parmesan and process until chopped. Add cottage cheese, ricotta, and eggs and process until blended. In a 9x13-inch baking dish layer meat sauce, noodles, cheese mixture, then mozzarella slices. Repeat layers. (Can be refrigerated at this time.) Cover tightly with aluminum foil and bake at 350°F for 45 minutes. Remove foil and bake 15 to 30 minutes more. Let sit 10 minutes before cutting to serve. **Yield: 8 to 10 servings.**

## Crispy Catfish Fillets

2 ½-ounces parmesan cheese (½ cup, grated)	½ cup fresh parsley sprigs
20 buttery crackers, like Ritz or Townhouse	¼ cup butter, melted
	4 catfish fillets, about 8 ounces each

Cut cheese into ½-inch cubes. Using S-Blade, place cheese cubes, crackers and parsley in work bowl. Process until finely ground. Place cracker mixture in large shallow bowl. Dip fillets in butter then place in cracker mixture to coat. Lay fillets on nonstick or aluminum foil lined baking sheet. Bake at 400°F for 15 to 20 minutes. **Yield: 4 servings.**

## Cashew Chicken

2 pounds boneless skinless chicken	¼ cup pineapple juice
4 cloves garlic	3 tablespoons soy sauce
1-inch piece of ginger root, peeled	1 teaspoon dry mustard
1 bunch green onions, roots trimmed	8-ounce can sliced water chestnuts, drained
2 tablespoons vegetable oil	1 cup roasted cashews
1 tablespoon flour	Cooked rice
¾ cup chicken stock or broth	

Using S-Blade, place chicken in processor bowl. Pulse until chicken is very coarsely chopped. Remove chicken and set aside. Do not wash processor bowl. Place garlic and ginger in processor bowl and pulse until minced. Add green onions, white part and 2-inches of green top, and pulse until chopped. Heat oil in skillet over medium high heat. Add the chopped vegetables and chicken to the skillet. Stir and cook about 7 minutes, or until chicken is done. Stir occasionally. Use a slotted spoon and remove chicken and vegetables. Sprinkle flour into skillet. Stir and cook until just beginning to turn brown, about 1 minute. Add chicken broth, pineapple juice, soy and mustard. Stirring frequently, bring to a boil and cook until thickened, about 5 minutes. Return chicken/vegetables to skillet, add cashews and water chestnuts. Heat through. Serve over rice. **Yield: 6 servings.**

## Roasted Sweet Peppers & Sausage

1 red bell pepper, cored and seeded	1 teaspoon dried oregano
1 yellow bell pepper, cored and seeded	2 tablespoons olive oil
2 green bell peppers, cored and seeded	2 pounds Italian sausage
2 medium onions, peeled and cut to fit in food chute	

Using a fork pierce sausage casings several times. In a skillet over medium high heat, brown sausages, turning frequently, about 8 minutes. Set aside. Using the Slicer/Shredder Disc, slicing side up, slice peppers and onion. Place in 2-quart baking dish. Add oregano and oil; stir to mix. Place sausage on peppers. Bake at 350°F for 45 minutes. Serve peppers and sausage with noodles or spoon onto toasted sub rolls. **Yield: 6 servings.**

## Good Morning Muffins

4 medium carrots (2 cups grated), washed, ends removed	1 tablespoon vanilla
1 large apple (1 cup grated), cored and cut into wedges	2 cups flour
3 eggs	2 teaspoons cinnamon
½ cup apple butter	1 teaspoon baking soda
¼ cup vegetable oil	½ teaspoon baking powder
1¼ cups sugar	½ teaspoon salt
	1 cup raisins

Using Slicer/Shredder Disc, shredding side up, shred carrots and apple into processor bowl. Remove from bowl put into a large mixing bowl; set aside. Using S-Blade, place eggs, apple butter, oil, sugar, and vanilla in processor bowl.

Process until mixed and smooth. Add flour, cinnamon, baking powder, baking soda, salt, and raisins. Pulse until JUST mixed. Pour batter into mixing bowl with grated carrots/ apple mixture. Spoon into greased or paper lined muffin tin, filling about  $\frac{3}{4}$  full. Bake at 375°F 15 to 20 minutes. **Yield 24 muffins.**

## Cheddar Onion Cornbread

4 ounces cheddar cheese (1 cup grated)	$\frac{1}{2}$ cup milk
1 small onion, peeled and cut in quarters	8-ounce package corn muffin mix
1 tablespoon butter	8-ounce can cream style corn
1 egg	8 ounce container sour cream

Using Slicer/Shredder Disc, shredding side up, shred cheddar and set aside. Using S-Blade, place onion in processor bowl and process until finely chopped. Place chopped onion and butter in a skillet and cook over medium high heat until onions are soft. Set aside and cool. Do not wash processor bowl. Using S-Blade, place egg, milk, muffin mix, and corn into processor bowl. Pulse until JUST mixed. Pour batter into greased 8-inch square baking pan. Combine onions, cheese, and sour cream. Place small spoonfuls of sour cream mixture on top of batter. Bake at 425°F for 30 to 35 minutes. **Yield: 6-8 servings.**

## Baked Pineapple Bread Pudding

12 slices of white bread, torn into strips to fit food chute	1 teaspoon vanilla
20 ounce can pineapple chunks, drained	1 tablespoon melted butter or margarine
2 eggs	$1\frac{1}{2}$ cups sugar
1 cup half and half cream	3 pineapple slices, drained

Using S-Blade, with processor running, drop bread through food chute to make soft breadcrumbs. Pour into a greased 2-quart casserole dish. Place pineapple chunks in food processor bowl with S-Blade. Process pineapple for 20 seconds. Add eggs, cream, vanilla, melted butter or margarine, and sugar. Process until mixed. Pour pineapple mixture over the soft breadcrumbs. Garnish with three pineapple rings overlapping in center. Bake at 350°F for 1 hour or until golden. **Yield: 8 servings.**

## Chocolate Chip Cheesecake

<b>Filling:</b>	<b>Crust:</b>
3 8-ounce packages cream cheese, cut into chunks	1 teaspoon butter, softened
1 cup sugar	22 chocolate chip cookies
2 tablespoons flour	3 to 4 tablespoons unsalted butter, melted
4 eggs	
$\frac{1}{4}$ cup milk	
1 teaspoon vanilla	
$\frac{1}{2}$ cup chocolate chips	

**Crust:** Use 1 teaspoon butter to grease a 9 to 9 $\frac{1}{2}$ -inch springform pan and set aside. Using S-Blade, with processor running, drop cookies through food chute

**14**

and process until an even crumb is formed. Continue processing adding melted butter through the food chute until mixed. Pour crumbs into prepared springform pan and press crumbs evenly on bottom of pan. Bake at 425°F for 10 minutes. Remove from the oven and cool on rack.

**Filling:** Using S-Blade, add cream cheese, sugar, flour, eggs, milk, and vanilla to work bowl. Process until smooth. Pour filling over cooled crust and sprinkle with chocolate chips. Bake 15 minutes at 425°F. Reduce heat to 250°F and continue to bake (without opening the oven door) for 45 minutes more or until cheesecake is set. When cooled, cover and refrigerate several hours or overnight.

**Yield: 16 servings.**

**Cooking Tip:** For a creamy smooth textured cheesecake, bake it in a water bath. Tear off a sheet of aluminum foil that extends about 6 inches larger than the springform pan. Place springform pan in center of foil and form foil up around the sides. This prevents water from leaking into the pan. Place the springform pan in a larger pan and fill larger pan with about 1½ inches of hot tap water. Bake as directed.

## Marissa's Apple Crisp

6 large Golden Delicious apples,  
peeled and cored and cut to fit in  
food chute (6 cups sliced)  
1 tablespoon lemon juice  
½ cup sugar  
1 tablespoon flour  
1 teaspoon cinnamon  
¼ teaspoon nutmeg

### Topping:

½ cup butter, melted  
1 cup flour  
1 cup sugar  
1 teaspoon cinnamon

Using Slicer/Shredder Disc, slicing side up, slice apples. Put apples in a large bowl. Drizzle lemon juice over apples. Sprinkle apples with sugar, flour, cinnamon, and nutmeg. Stir to mix then put apples in ungreased 2-quart baking dish. Using S-Blade, place Topping ingredients in processor bowl and pulse until mixed. Crumble topping over apples. Bake at 375°F for 30 minutes. Serve topped with vanilla ice cream. **Yield: 6 servings.**

HAMILTON BEACH PROCTOR-SILEX, INC.

Washington, North Carolina 27889

PROCTOR-SILEX CANADA, INC.

Picton, Ontario K0K 2T0

Web site address: [www.hamiltonbeach.com](http://www.hamiltonbeach.com)

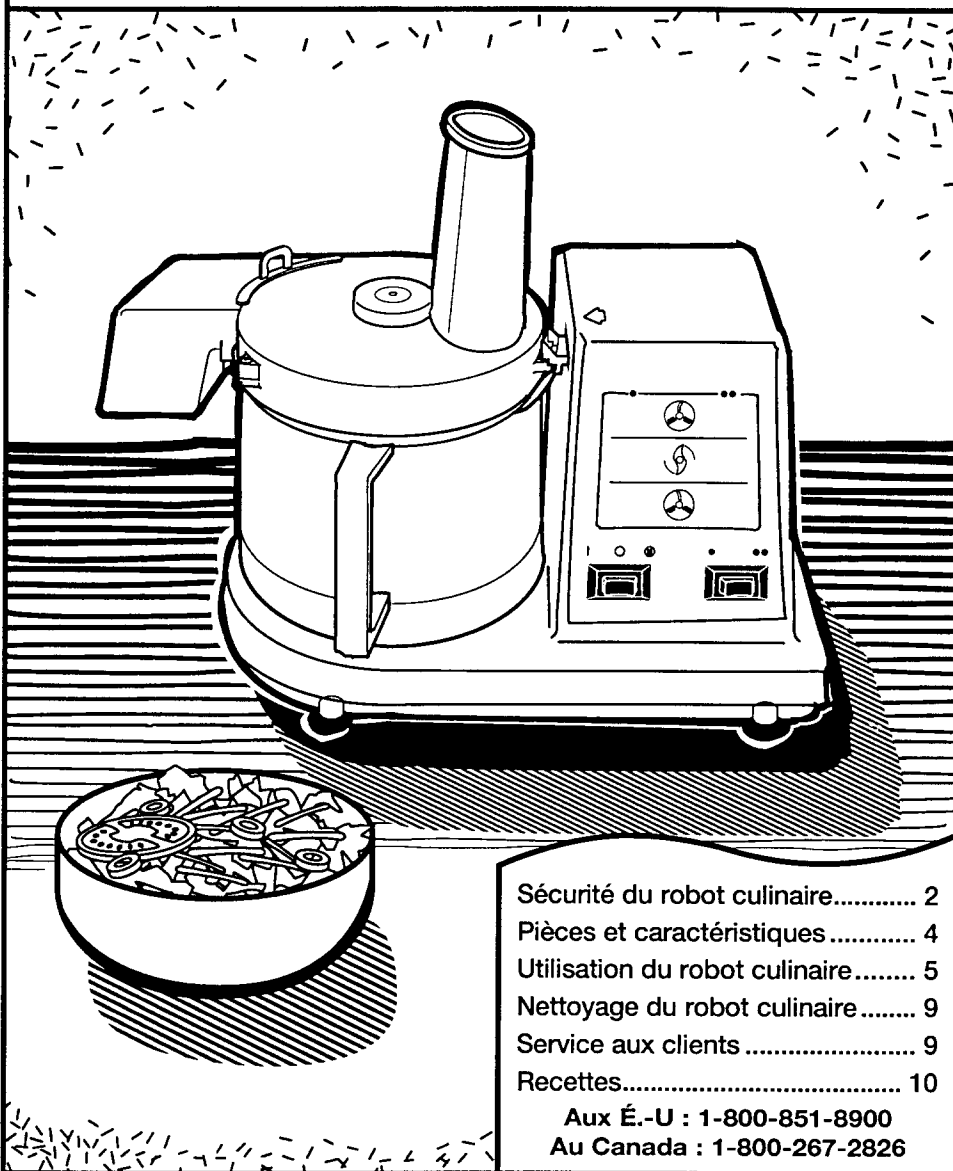
840066200

1/00

15

# Hamilton Beach.

## *Robot culinaire*



Sécurité du robot culinaire.....	2
Pièces et caractéristiques.....	4
Utilisation du robot culinaire.....	5
Nettoyage du robot culinaire.....	9
Service aux clients .....	9
Recettes.....	10

Aux É.-U : 1-800-851-8900  
Au Canada : 1-800-267-2826

840066200



# Sécurité du robot culinaire

## IMPORTANTES INSTRUCTIONS

Lors de l'utilisation d'appareils électroménagers, des précautions fondamentales de sécurité doivent toujours être observées, y compris ce qui suit :

1. Lire toutes les instructions.
2. Pour protéger contre le risque de choc électrique, ne pas immerger la base, le moteur, le cordon ou la fiche dans l'eau ou autre liquide.
3. Une bonne surveillance est nécessaire pour tout appareil utilisé par des enfants ou près d'eux.
4. Débrancher l'appareil de la prise de courant électrique lorsqu'il n'est pas utilisé, avant d'y placer ou d'y enlever des pièces et avant un nettoyage.
5. Éviter le contact avec les pièces en mouvement. Garder les doigts hors de l'ouverture d'éjection.
6. Ne pas faire fonctionner un appareil électroménager avec une fiche ou un cordon endommagé, ou lorsque l'appareil ne fonctionne pas bien ou a été échappé ou endommagé d'une manière quelconque. Composer notre numéro d'appel sans frais du service aux clients pour des renseignements sur l'examen, la réparation électrique, la réparation mécanique ou l'ajustement.
7. L'utilisation d'accessoires non recommandés ni vendus par Hamilton Beach/Proctor-Silex, Inc. peut causer un incendie, un choc électrique ou des blessures.
8. Ne pas utiliser à l'extérieur.
9. Ne pas laisser le cordon pendre du bord d'une table ou d'un comptoir, ni toucher des surfaces chaudes.
10. Ne jamais introduire d'aliments dans la trémie à la main. Toujours utiliser le poussoir.
11. Le couteau et les disques sont coupants. Les manipuler avec soin. Les ranger hors de portée des enfants.
12. Attendre que le couteau ou le disque se soit arrêté complètement avant d'enlever le couvercle.
13. Garder les mains et ustensiles à l'écart des couteaux et disques mobiles durant le traitement des aliments pour réduire le risque de blessures corporelles graves ou d'endommagement du robot culinaire. On peut se servir d'un racloir en caoutchouc, mais SEULEMENT lorsque le robot culinaire ne fonctionne pas.
14. Pour réduire le risque de blessure, ne jamais mettre les couteaux et disques tranchants dans la base avant d'avoir d'abord bien mis le bol en place.
15. S'assurer que le couvercle est fermement mis en place avant de faire fonctionner l'appareil.
16. Ne pas essayer de contourner le mécanisme de verrouillage du couvercle.
17. Pour réduire le risque de blessure, veiller à insérer et retirer les couteaux et disques en se servant des trous de doigts prévus à cet effet. Faire attention lorsqu'on enlève les couteaux et disques du bol, lorsqu'on vide le bol et durant le nettoyage.

## CONSERVER CES INSTRUCTIONS !

## Renseignements de sécurité aux consommateurs

---

### **Cet appareil est destiné à l'utilisation domestique seulement.**

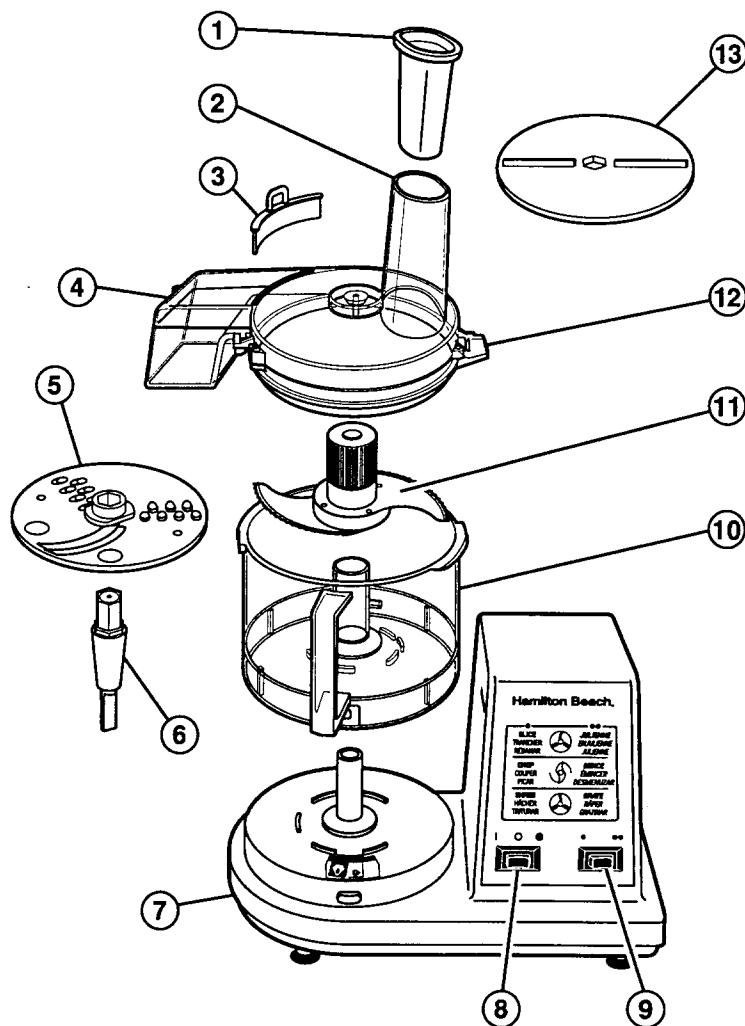
Cet appareil est muni d'une fiche polarisée. Ce type de fiche présente une broche plus large que l'autre. Par mesure de sécurité, la fiche peut être introduite dans une prise dans un sens seulement. Il s'agit d'une caractéristique de sécurité visant à réduire le risque de choc électrique. Si la fiche ne peut pas être insérée dans la prise, la tourner dans l'autre sens. Si elle ne peut toujours pas être insérée dans la prise, contacter un électricien pour qu'il remplace la prise défectueuse. Ne pas essayer de contourner l'objectif de sécurité de la fiche polarisée en la modifiant de quelque manière que ce soit.

Pour éviter une surcharge du circuit électrique, ne pas utiliser un autre appareil électroménager à forte consommation sur le même circuit que le robot culinaire.

La longueur du cordon de cet appareil a été choisie de façon à ce que l'on ne risque pas de trébucher dessus. Si un cordon plus long est nécessaire, utiliser une rallonge appropriée. Le calibrage de la rallonge doit être le même que celui de l'appareil ou supérieur. Lorsqu'on utilise une rallonge, s'assurer qu'elle ne traverse pas la zone de travail, que des enfants ne puissent pas tirer dessus par inadvertance et qu'on ne puisse pas trébucher dessus.

## *Pièces et caractéristiques*

- |  |   |
|--|---|
| 1. Poussoir  | 7. Module de la base  |
| 2. Trémie  | 8. Bouton de commande   |
| 3. Volet de fermeture – laisser le volet dans le couvercle pour les opérations ordinaires; enlever le volet pour le traitement en continu. | 9. Sélecteur de vitesse   |
| 4. Goulotte d'éjection continu   | 10. Bol   |
| 5. Disque réversible pour trancher/hacher  | 11. Couteau   |
| 6. Axe   | 12. Couvercle   |
|  | 13. Disque d'éjection – à utiliser pour le traitement continu; le disque « projette » les morceaux vers la goulotte d'éjection. |



# Utilisation du robot culinaire

## REMARQUES :

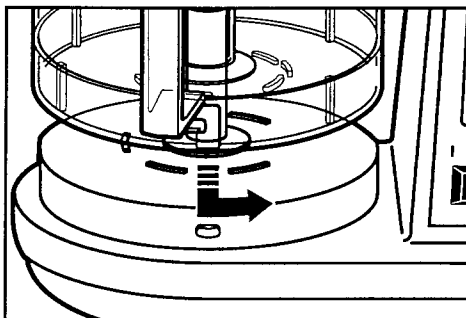
- Veiller à toujours bien immobiliser le bol sur le module de la base avant d'installer un couteau ou un disque. Vérifier que le couteau ou le disque est correctement placé avant d'utiliser l'appareil.
- Avec cet appareil, on peut utiliser le bol seul pour le traitement d'une quantité modérée d'aliments, ou utiliser l'option de traitement continu qui permet la récupération des morceaux dans un réceptacle séparé. On peut ainsi traiter une quantité importante d'aliments en une seule opération.
- **Ne pas** utiliser l'option de traitement continu pour trancher de la viande ou

du fromage. Du fait de la texture, ces aliments ont tendance à obstruer l'orifice de sortie.

## Conseils!

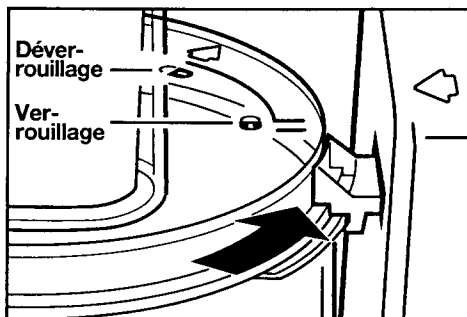
- Le bol peut contenir 6 à 7 tasses d'ingrédients secs ou 2 tasses de liquide. Veiller à ne pas trop le remplir.
- Ne pas utiliser le robot culinaire pour broyer de la glace.
- Pour l'obtention d'une texture constante, couper les aliments en cubes de 1 po avant de les émincer ou de les couper avec le couteau.

## Blocage du bol



Placer le bol sur le module de la base; la poignée doit être orientée vers l'opérateur. Faire pivoter le bol dans le sens antihoraire jusqu'à la position de butée.

## Verrouillage du couvercle



Placer le couvercle sur le bol—la flèche « Unlock » doit être alignée avec la flèche du tableau de commande. Effectuer un pivotement dans le sens antihoraire pour aligner la flèche avec le symbole « Lock ».

**REMARQUE :** LE MOTEUR NE PEUT FONCTIONNER QUE LORSQUE LE COUVERCLE EST À LA POSITION DE VERROUILLAGE. Ainsi, le couvercle est toujours solidement immobilisé lors du fonctionnement de l'appareil.

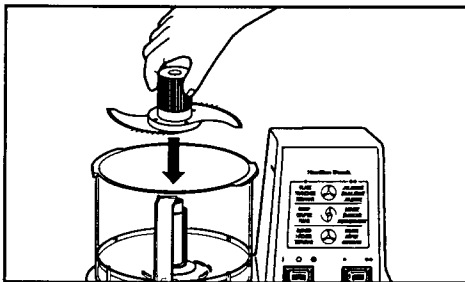
## Traitement normal


1. Vérifier que l'appareil est débranché, et que le bouton de commande est à la position d'arrêt (O).
2. Bloquer le bol sur la base (voir « Blocage du bol », page 5).
3. Choisir le couteau ou le disque à utiliser (couteau ou disque pour trancher/hacher). Ces accessoires sont acérés; on doit les manipuler prudemment. (Pour d'autres informations au sujet du couteau ou du disque à utiliser pour une application spécifique, voir le tableau de la page 8.)

### Couteau

Utiliser le couteau pour couper ou émincer, pour mélanger les ingrédients ou pour transformer un mélange en purée.

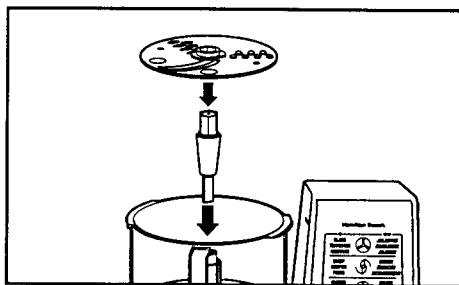
4. Placer le couteau sur l'arbre du robot culinaire, au centre du bol. Faire tourner doucement le couteau pour trouver la position qui lui permet de descendre en position de service.



5. Verrouiller le couvercle sur le bol. (Voir « Verrouillage du couvercle », page 5.) Insérer le poussoir dans la trémie.
6. Brancher l'appareil et hacher le produit jusqu'à l'obtention de la texture désirée. Ceci est déterminé par la vitesse du couteau et la durée de l'opération. Choisir la position PULSE/MOMENTARY  (FONCTIONNEMENT PAR IMPULSIONS) pour éviter de hacher trop finement.

### Disque pour trancher/hacher

- Pour trancher ou hacher du fromage, choisir un fromage ferme comme le cheddar, le monterey jack ou le gruyère. Placer le fromage au congélateur pendant une heure avant d'effectuer l'opération.
  - Le disque pour trancher/hacher comporte une lame de tranchage d'un côté, et des dents de hachage sur l'autre face. Placer le disque sur l'arbre d'entraînement en l'orientant correctement, selon l'opération désirée.
  - Pour trancher des légumes en julienne, effectuer un premier tranchage des légumes; placer ensuite les tranches obtenues dans la trémie, verticalement et effectuer un deuxième tranchage.
4. Placer l'axe du disque sur la colonne centrale et installer le disque pour trancher/hacher sur l'arbre en l'orientant convenablement, selon l'opération exécutée. Verrouiller le couvercle sur le bol. (Voir « Verrouillage du couvercle », page 5).



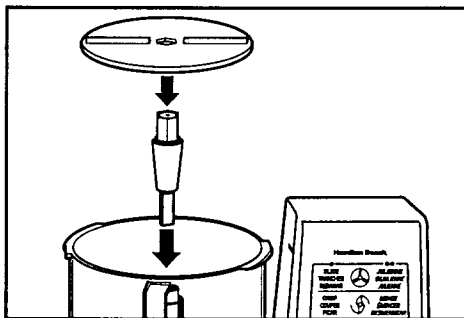
5. Remplir la trémie d'aliments, en tassant bien. Insérer le poussoir dans la trémie. **On doit toujours utiliser le poussoir pour faire descendre les morceaux. NE JAMAIS POUSSER AVEC LES DOIGTS.**
6. Brancher l'appareil pour exécuter l'opération désirée.

7. Choisir la vitesse de traitement.  
Tout en appuyant sur le poussoir, placer le bouton de commande à la position de marche (I) ou à la position IMPULSIONS (M).
8. Lorsque la trémie est vide, ramener le commutateur à la position d'arrêt (O) ou lâcher le bouton s'il était à la position de fonctionnement par IMPULSIONS (M). **Attendre l'arrêt total du couteau ou du disque avant d'enlever le couvercle.**

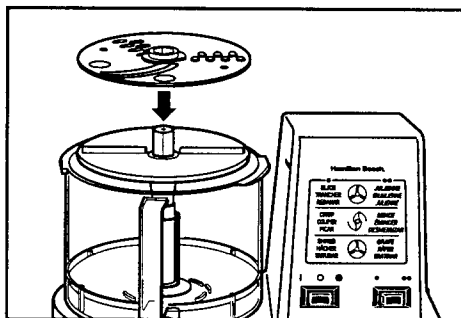
## Traitement continu

**IMPORTANT :** Lors de l'utilisation de l'option traitement continu, on doit retirer le volet de fermeture et installer le disque d'éjection.

1. Vérifier que l'appareil est débranché et que le bouton de commande est à la position d'arrêt (O).
2. Bloquer le bol sur la base (voir « Blocage du bol », page 5).
3. Placer l'arbre sur la colonne centrale; placer le disque d'éjection sur l'arbre en l'orientant correctement pour l'opération exécutée. Le disque d'éjection comporte une face nervurée qu'on utilise pour choux et légumes, une face plane qu'on utilise pour les autres aliments.



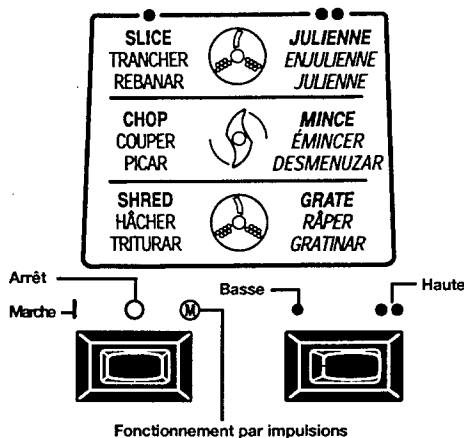
4. Placer sur l'arbre le disque réversible pour trancher/hacher; orienter vers le haut la face correspondant à l'opération désirée (tranchage ou hachage).



5. RETIRER LE VOLET DE FERMETURE DE L'ORIFICE D'ÉJECTION DANS LE COUVERCLE, POUR QUE L'APPAREIL NE SUBISSE PAS DE DOMMAGE.
6. Bloquer le couvercle. (Voir « Blocage du bol », page 5).
7. Brancher l'appareil et sélectionner la vitesse. Exécuter l'opération. Examiner fréquemment la goutte d'éjection en continu pour vérifier que l'ouverture n'est pas obstruée. En cas d'obstruction, arrêter et débrancher l'appareil. Éliminer l'obstruction puis réassembler les composants et poursuivre l'opération.

**REMARQUE :** Lors de l'opération de l'option de traitement continu, quelques morceaux d'aliments peuvent tomber dans le bol.

## Utilisation des commandes



Le tableau de commande comporte un graphisme qui indique l'accessoire à utiliser pour une opération particulière.

**Sélecteur de vitesse :** Avant la mise en marche de l'appareil, placer le bouton de sélection à la position BASSE VITESSE (•) ou BASSE HAUTE (••).

**Bouton de commande :** Il s'agit d'un commutateur à trois positions : MARCHE (I), ARRÊT (O), ou FONCTIONNEMENT PAR IMPULSIONS (M). Lorsqu'on place le bouton à la position de MARCHE (I) l'appareil fonctionne sans interruption jusqu'au moment où on ramène le bouton à la position d'arrêt (O). Lorsque le bouton est à la position IMPULSIONS (M) le moteur de l'appareil fonctionne seulement aussi longtemps qu'on maintient le bouton à cette position; dès qu'on lâche le bouton, il revient automatiquement à la position d'arrêt (O) position.

## Tableau des opérations

ACCESSOIRE	VITESSE	ALIMENTS
<b>Disque pour trancher</b> (côté pour trancher vers le haut)	Basse (•)	Concombres, pommes, champignons
	Haute (••)	Légumes en julienne
<b>Couteau</b>	Basse (•)	Pour couper noix et légumes
	Haute (••)	Pour couper la viande; mettre en purée
<b>Disque pour hacher</b> (côté pour hacher vers le haut)	Basse (•)	Chou
	Haute (••)	Fromages fermes

La durée de l'opération dépend de la quantité d'aliments à traiter. Pour la plupart des aliments, l'opération ne dure que quelques secondes. Ne pas faire fonctionner l'appareil pendant plus de 1 minute à la fois. Pour le traitement d'une quantité importante, laisser l'appareil au repos pendant 1 minute avant de poursuivre.

## Nettoyage du robot culinaire

1. Rincer le bol, le couvercle, le couteau, les disques et le poussoir dans de l'eau chaude et savonneuse. Rincer parfaitement et laisser sécher.
2. Essuyer la base, le tableau de commande et le cordon d'alimentation avec un linge ou une éponge humide. Pour éliminer des souillures tenaces, utiliser un produit de nettoyage doux, non abrasif.

**REMARQUE :** Ne pas remiser le robot culinaire alors que le couvercle est à la position de verrouillage; ceci peut soumettre l'onglet d'interverrouillage à des efforts.

**NE JAMAIS IMMERGER LE MODULE DE LA BASE DANS DE L'EAU OU UN AUTRE LIQUIDE.**

## Service aux clients

Si vous avez une question au sujet du robot culinaire, composer notre numéro sans frais d'interurbain de service aux clients. Avant de faire un appel, veuillez noter le modèle, le type et les numéros de série, et fournir ces renseignements ci-dessus. Ces numéros se trouvent à la base du robot culinaire. Ces renseignements nous aideront à répondre beaucoup plus vite à toute question.

**MODÈLE :** \_\_\_\_\_ **TYPE :** \_\_\_\_\_ **SÉRIE :** \_\_\_\_\_

### GARANTIE LIMITÉE DE DEUX ANS

Hamilton Beach/Proctor-Silex Inc. garantit cet appareil contre tout défaut de pièce et de main-d'oeuvre pour une période de deux (2) ans à partir de la date d'achat original, sauf indications contraires. La garantie ne s'applique pas aux accessoires suivants qui pourraient être vendus avec l'appareil: pièces en verre, récipients en verre, passoire/tamis, lames et/ou agitateurs. Cette garantie ne s'applique qu'à l'acheteur original et ne couvre pas les dommages causés par l'abus, la négligence, l'utilisation à des fins commerciales, ou tout autre usage non prescrit dans le mode d'emploi. HAMILTON BEACH/PROCTOR-SILEX, INC. DÉCLINE TOUTE RESPONSABILITÉ CONCERNANT LES DOMMAGES OU LES PERTES ACCIDENTELS CAUSÉS PAR CET APPAREIL. Les lois de certaines provinces ou États ne permettent pas l'exclusion ou la restriction des dommages ou des pertes accidentels. Par conséquent, cette renonciation ne s'applique peut-être pas à vous. Si vous désirez procéder à une réclamation en vertu de cette garantie, **NE RETOURNEZ PAS L'APPAREIL AU MAGASIN!** Veuillez téléphoner au **NUMÉRO DU SERVICE À LA CLIENTÈLE.** (Pour un service plus rapide, ayez à portée de la main les numéros de série et de modèle de votre appareil lorsque vous communiquez avec un représentant).

### NUMÉROS DE SERVICE AUX CLIENTS

Aux États-Unis 1-800-851-8900

Au Canada 1-800-267-2826

Adresse du site Web: [www.hamiltonbeach.com](http://www.hamiltonbeach.com)

### CONSERVER CES NUMÉROS POUR RÉFÉRENCE ULTÉRIEURE.

Cette garantie vous donne des droits spécifiques, et vous pourriez jouir d'autres droits selon la province ou l'État où vous demeurez.



# Recettes

## Vinaigrette au fromage bleu

2 gousses d'ail	½ tasse de crème sure
4 oz de fromage bleu	¼ tasse de jus de citron frais
2 tasses de mayonnaise	2 c. à soupe de sucre

Avec le couteau en place et le robot en marche, mettre les gousses d'ail dans la trémie et les émincer. Ajouter le fromage et laisser tourner le robot pendant 10 secondes. Ajouter la mayonnaise, la crème sure, le jus de citron et le sucre. Mélanger jusqu'à consistance lisse. Garder au réfrigérateur. **Quantité : 3 tasses.**

## Hoummos

2 gousses d'ail	2 c. à thé d'huile d'olive
2 oignons verts, blanc et moitié de l'extrémité verte	¼ c. à thé de cumin
15 oz de pois chiches, égouttés, mettre ¼ tasse du liquide de côté	Pincée de cayenne
¼ tasse de tahini (pâte de sésame), mélangé	Sel et poivre au goût
3 à 4 c. à soupe de jus de citron ou lime	Pincée de paprika
	Pain pita ou légumes coupés en morceaux, facultatif

Avec le couteau en place et le robot en marche, mettre les gousses d'ail et les oignons dans la trémie. Ajouter les pois chiches, le tahini, le jus de citron ou lime, l'huile d'olive, le cumin, le poivre de cayenne, le sel et le poivre. Continuer de mélanger jusqu'à consistance lisse, en raclant les bords du bol au besoin. Verser dans un plat et garnir de paprika. Servir avec du pain pita et/ou des légumes. Conserver au réfrigérateur. **Quantité : environ 2 tasses.**

## Salsa

1 oignon, pelé et coupé en quartiers	¼ tasse de coriandre, tassé
1 gousse d'ail	½ c. à thé de cumin
1 piment (jalapeno ou autre piment fort) vidé, égrainé et coupé en quartiers	1 c. à soupe de jus de lime
4 tomates, coupées en quartiers	Sel et poivre au goût
	Sauce piquante, facultatif

Avec le couteau en place et le robot en marche, mettre l'oignon, l'ail et le piment dans la trémie et émincer finement. Arrêter le robot, ajouter les tomates, la coriandre, le cumin, le jus de lime, le sel et le poivre. Régler au fonctionnement par impulsions (Pulse) et émincer jusqu'à la consistance désirée. Ajouter de la sauce piquante, si désiré. **Quantité : 2 à 3 tasses.**

## Relish aux canneberges et à l'orange

12 oz de canneberges fraîches, équeutées ou congelées  
 1 tasse de sucre  
 1 petite orange, lavée, coupée en quartiers  
 3 c. à soupe de Grand Marnier ou jus d'orange  
 Pincée de clous de girofle moulus

Avec le couteau en place, mettre les canneberges, le sucre, l'orange, le Grand Marnier ou jus d'orange et les clous de girofle dans le bol. Mélanger jusqu'à ce que les canneberges soient presque complètement écrasées. Couvrir et réfrigérer toute la nuit. Le mélange épaissira. **Quantité : 2½ tasses.**

## Pâtés de poulet

1 livre de poulet cuit, (1½ tasse de poulet coupé finement)  
 ¼ tasse de persil tassé  
 1 tasse de bouillon de poulet  
 ½ tasse d'huile végétale  
 1 c. à soupe de sauce Worcestershire  
 ½ c. à thé de sel et de graines de céleri  
 ¼ c. à thé de moutarde sèche et de poudre d'oignon  
 1 tasse de farine  
 4 oeufs

Couper le poulet en gros morceaux et, avec le couteau en place, mettre le poulet et le persil dans le bol et couper finement au réglage par impulsions (Pulse). Vider le bol et mettre les ingrédients de côté. Dans un gros poêlon, à feu élevé, mélanger le bouillon de poulet, l'huile et la sauce Worcestershire. Porter à ébullition. Ajouter les 4 assaisonnements dans la farine. Une fois le bouillon à ébullition, y verser toute la farine. Mélanger jusqu'à ce que la pâte forme une boule. Mettre la pâte dans le bol mélangeur. Ajouter les oeufs, un à la fois, en mélangeant bien après chaque oeuf. Ajouter le poulet et le persil. Verser par cuillères pleines, de la taille d'une balle de golf, sur une tôle à biscuits. Cuire à 450°F pendant 12 à 15 minutes. **Quantité : 4 douzaines.**

## Soupe aux pommes de terre et poireaux

3 livres de pommes de terre, pelées  
 3 à 4 poireaux, racine et feuilles coupées  
 8 oz de bacon  
 2 pintes d'eau  
 1½ c. à thé de sel  
 ¼ c. à thé de poivre  
 ½ tasse de lait  
 3 c. à soupe de farine

Avec le disque pour trancher/hacher, côté pour trancher vers le haut, trancher les pommes de terre. Les verser dans le gros bol mélangeur et les recouvrir d'eau froide. Mettre de côté. Trancher les poireaux. Pour nettoyer les poireaux, les verser dans une passoire et les passer sous l'eau courante froide en secouant délicatement. Dans une casserole à soupe ou un faitout, griller le bacon. Retirer le bacon et le mettre de côté. Verser les poireaux dans la graisse de bacon. Cuire et remuer occasionnellement à feu moyen pendant environ 10 minutes. Régler à feu élevé et ajouter l'eau, les pommes de terre, le sel et le poivre. Porter la soupe à ébullition, puis réduire la chaleur et laisser mijoter, à découvert, pendant 15 à 20 minutes. Dans un petit plat, battre le lait et la farine. Incorporer lentement le mélange de lait et de farine dans la soupe mijotante et laisser mijoter 5 autres minutes. Garnir de morceaux de bacon. **Quantité : 6 à 8 portions.**

## Soupe aux lentilles

½ livre de bacon	Sachet de 16 oz de lentilles
1 gros oignon	2 pintes d'eau
6 panais, pelés, extrémités coupées, coupés en morceaux de 1 po	1 feuille de laurier
8 branches de céleri avec les feuilles	1 c. à thé de sel
6 carottes, extrémités coupées	Crème sure, facultatif

Dans une casserole ou un faitout, griller le bacon. Sortir et mettre de côté 4 tranches de bacon pour la garniture. Laisser la graisse de bacon dans la casserole. Avec le couteau en place, couper les oignons et les panais. Verser les oignons et les panais coupés dans la graisse de bacon et cuire à feu moyen jusqu'à ce que les légumes soient ramollis, soit environ 7 minutes. Avec le disque pour trancher/hacher, côté pour trancher vers le haut, trancher le céleri et les carottes. Ajouter le céleri, les carottes, les lentilles, l'eau, la feuille de laurier et le sel au mélange d'oignons et de panais. Porter à ébullition, puis baisser le feu et laisser mijoter, couvert, pendant 40 minutes. Au moment de servir, garnir de crème sure et de bacon émietté.

**Quantité : 8 portions.**

**REMARQUE :** Il n'est pas nécessaire de faire tremper les lentilles pendant la nuit.

## Pommes de terre à la crème

4 livres de pommes de terre blanches, environ 15 moyennes	1½ c. à thé de sel
3 tasses de crème moitié-moitié	¼ c. à thé de poivre
3 c. à soupe d'oignons finement émincés	4 c. à soupe de beurre, fondu

Frotter les pommes de terre. Ne pas les peler. Les mettre dans une grosse casserole et les recouvrir d'eau. Porter à ébullition, puis baisser le feu et laisser mijoter pendant 45 minutes ou jusqu'à ce qu'elles soient cuites. Mettre au réfrigérateur pour la nuit. Avec le disque pour trancher/hacher, côté pour hacher vers le haut, hacher les pommes de terre. Il n'est pas nécessaire de les peler. Verser les pommes de terre hachées, la crème moitié-moitié, les oignons, le sel et le poivre dans un grand plat et mélanger. Mettre le beurre dans un plat de cuisson de 9 x 13 po et bien en recouvrir le fond. Avec une cuillère, ajouter le mélange de pommes de terre. Cuire à 375°F pendant 1 heure. **Quantité : 10 portions.**

## Pouding aux patates douces

1 à 1¼ lb de patates douces, frottées mais pas pelées, et coupées pour entrer dans la trémie (3 tasses râpées) pouvoir	¼ tasse de sirop d'érable
½ tasse de sucre	1 tasse de lait
	1 oeuf
	¼ tasse de beurre
	1 c. à thé de vanille

Avec le disque pour trancher/hacher, côté pour hacher vers le haut, hacher les patates douces. Les sortir du bol et les verser dans un bol mélangeur moyen. Mettre de côté. Avec le couteau en place, mettre le sucre, le sirop, le lait, l'oeuf, le beurre et la vanille dans le bol. Mélanger jusqu'à consistance lisse. Verser sur les patates douces râpées. Bien mélanger. Verser dans une cocotte de 1½ pinte graissée. Mettre la cocotte dans une plaque ou dans un plat plus gros. Ajouter de

l'eau chaude dans le grand plat, de façon à ce que la cocotte trempe dans 1 à 2 po d'eau. Ceci pour que les bords ne brûlent pas. Cuire à 350°F pendant 1½ heure. **Quantité : 6 portions.**

## Lasagne végétarienne

8 oz de mozzarella allégée	Emballage de 8 oz de fromage en crème, coupé en morceaux
1 oignon moyen, pelé et coupé en morceaux	¾ tasse de fromage ricotta au lait écrémé
4 gousses d'ail	½ tasse de crème sure légère
4 à 6 oz de champignons frais	1 oeuf
1 c. à thé d'huile végétale	2 c. à thé d'assaisonnement italien séché
2 courgettes, d'environ 6 po de long, coupées en morceaux	Pot de 26 oz de sauce à spaghetti
2 oz de parmesan, coupé en morceaux de ½ po (environ ⅓ tasse râpé)	6 pâtes à lasagne, cuites

Avec le disque pour trancher/hacher, côté pour hacher vers le haut, hacher la mozzarella. Déposer dans un petit plat et mettre de côté. Avec le couteau en place, mettre l'oignon et les gousses d'ail dans le bol. Couper grossièrement le mélange au réglage PULSE (fonctionnement par impulsions). Ajouter les champignons. Continuer avec le robot au réglage par impulsions jusqu'à ce que les champignons soient grossièrement coupés. Verser les légumes coupés dans un gros poêlon avec l'huile, à feu moyen. Avec le couteau en place, mettre les courgettes dans le bol. Couper grossièrement au réglage par impulsions. Verser les courgettes dans le poêlon. Cuire jusqu'à ce qu'elles soient tendres, soit environ 10 minutes, puis mettre de côté. Sans laver le bol, avec le couteau en place, mettre les morceaux de parmesan dans le bol et couper grossièrement à réglage élevé. Ajouter le fromage en crème, le ricotta, la crème sure, l'oeuf et les assaisonnements italiens et mélanger jusqu'à consistance crémeuse, soit environ 30 à 40 secondes. Graisser un plat de cuisson de 9 x 13. Mettre en couches pâtes, mélange de fromage en crème, mélange de légumes hachés et sauce spaghetti. Répéter une fois. Saupoudrer de mozzarella. Cuire, couvert, à 350°F pendant 25 minutes. Découvrir et cuire 10 minutes de plus. Laisser reposer pendant 10 minutes avant de servir. **Quantité : 8 portions.**

**REMARQUE :** La mozzarella est plus facile à râper si on la met au congélateur pendant une heure avant de la râper.

## Lasagne

1 lb de mozzarella	Boîte de 8 oz de sauce aux tomates
1 lb de saucisses italiennes douces	2,5 oz de parmesan, coupé en cubes de ½ po (½ tasse râpé)
1 lb de boeuf haché	1 tasse de bouquets de persil
2 gousses d'ail	1 lb de fromage cottage en petits grains
1 oignon moyen, pelé et coupé en huit	Contenant de 15 oz de ricotta
1 branche de céleri, coupé en morceaux de 2 po	2 oeufs
1 pot de 26 oz de sauce à spaghetti	12 de pâtes à lasagne, non cuites

Avec le disque pour trancher/hacher, côté pour trancher vers le haut, trancher la mozzarella et la mettre de côté. Enlever le boyau des saucisses. Dans un gros poêlon ou dans une grosse casserole lourde, à feu moyen à chaud, cuire et mélanger les saucisses et le boeuf haché. Avec le couteau en place et le robot en marche, verser l'ail dans la trémie et émincer. Arrêter le robot. Ajouter l'oignon et le céleri. Régler au fonctionnement par impulsions et émincer, puis verser dans le poêlon. Cuire jusqu'à ce que l'oignon soit mou. Verser les viandes et les légumes cuits dans un gros plat. Ajouter la sauce spaghetti et la sauce aux tomates et mélanger. Avec le couteau en place, râper finement le parmesan (au réglage élevé), pendant environ 20 secondes. Ajouter le persil et couper. Ajouter le fromage cottage, le ricotta et les oeufs et bien mélanger au robot. Dans un plat de cuisson de 9 x 13 po, disposer en couches, la sauce à la viande, les pâtes, le mélange de fromage, puis les tranches de mozzarella. Répéter les couches. (On peut le réfrigérer à ce moment.) Couvrir de papier d'aluminium bien serré et cuire à 350°F pendant 45 minutes. Enlever le papier d'aluminium et cuire 15 à 30 minutes de plus. Laisser reposer 10 minutes avant de couper et de servir. **Quantité : 8 à 10 portions.**

## Filets de barbotte croustillants

2½ oz de parmesan (½ tasse râpé)	¼ tasse beurre fondu
20 craquelins (Ritz ou Townhouse)	4 filets de barbotte, d'environ 8 oz chaque
⅓ tasse de bouquets de persil frais	

Couper le fromage en cubes de ½ po. Avec le couteau en place, mettre les cubes de fromage, les craquelins et le persil dans le bol. Couper le tout finement. Mettre le mélange de craquelins dans un gros plat peu profond. Tremper les filets dans le beurre puis dans le mélange de craquelins. Déposer les filets sur une tôle à biscuits non adhésive ou recouverte de papier d'aluminium. Cuire à 400°F pendant 15 à 20 minutes. **Quantité : 4 portions.**

## Poulet aux noix d'acajou

2 lb de poitrines de poulet sans peau et désossé	¾ tasse de bouillon de poulet
4 gousses d'ail	¼ tasse de jus d'ananas
1 morceau de 1 po de racine de gingembre, pelée	3 c. à soupe de sauce soja
1 botte d'oignons verts, racines coupées	1 c. à thé de moutarde sèche
2 c. à soupe d'huile végétale	1 boîte de 8 oz de châtaignes d'eau tranchées, égouttées
1 c. à soupe de farine	1 tasse de noix d'acajou grillées
	Riz cuit

Avec le couteau en place, mettre le poulet dans le bol. Régler au fonctionnement par impulsions et couper très grossièrement le poulet. Sortir le poulet et le mettre de côté. Ne pas laver le bol. Mettre l'ail et le gingembre dans le bol et émincer au réglage par impulsions. Ajouter les oignons verts (tout le blanc et 2 po des feuilles) et couper au réglage par impulsions. Chauffer l'huile dans le poêlon à feu moyen à chaud. Ajouter les légumes coupés et le poulet dans le poêlon. Mélanger et cuire pendant environ 7 minutes ou jusqu'à ce que le poulet soit cuit. Remuer occasionnellement. À l'aide d'une cuillère à rainures, sortir le poulet et les légumes. Saupoudrer le poêlon de farine. Mélanger et cuire jusqu'à ce que la farine commence à brunir, soit environ 1 minute. Ajouter le bouillon de poulet, la sauce soja, le jus d'ananas, et la moutarde. En remuant fréquemment, porter à ébullition et cuire jusqu'à épaississement, soit environ 5 minutes. Remettre le poulet et les légumes dans le poêlon, ajouter les noix d'acajou et les châtaignes d'eau. Bien réchauffer. Servir sur du riz. **Quantité : 6 portions.**

## Poivrons doux et saucisses rôtis

- |   |                                  |
|---|----------------------------------|
| 1 poivron rouge, vidé et égrainé                                | 1 c. à thé d'origan séché        |
| 1 poivron jaune, vidé et égrainé                                | 2 c. à soupe d'huile d'olive     |
| 2 poivrons verts, vidés et égrainés                             | 2 livres de saucisses italiennes |
| 2 oignons moyens, pelés et coupés<br>pour entrer dans la trémie |                                  |

Avec une fourchette, percer le boyau des saucisses plusieurs fois. Dans un poêlon, à feu moyen à élevé, griller les saucisses, en les retournant fréquemment, pendant environ 8 minutes. Mettre de côté. Avec le disque pour trancher/hacher, côté pour trancher vers le haut, trancher les poivrons et les oignons. Verser dans un plat de cuisson de 2 pintes. Ajouter l'origan, l'huile et bien mélanger. Verser les saucisses sur les poivrons. Cuire à 350°F pendant 45 minutes. Servir le mélange de poivrons et saucisses sur des nouilles ou sur des petits pains longs grillés.

**Quantité : 6 portions.**

## Muffins de déjeuner

- |  |                                    |
|--|------------------------------------|
| 4 carottes moyennes (2 tasses râpées),<br>lavées, extrémités coupées | 1 c. à thé de vanille              |
| 1 grosse pomme (1 tasse râpée), évidée<br>et coupée en quartiers     | 2 tasses de farine                 |
| 3 oeufs  | 2 c. à thé de cannelle             |
| ½ tasse de beurre de pomme   | 1 c. à thé de bicarbonate de soude |
| ¼ tasse d'huile végétale   | ½ c. à thé de levure chimique      |
| 1¼ tasse de sucre  | ½ c. à thé de sel                  |
|  | 1 tasse de raisins secs            |

Avec le disque pour trancher/hacher, côté pour hacher vers le haut, hacher les carottes et la pomme dans le bol. Les transférer dans un gros bol mélangeur. Mettre de côté. Couteau en place sur le robot, mettre les oeufs, le beurre de pomme, l'huile, le sucre et la vanille dans le bol. Mélanger jusqu'à consistance lisse. Ajouter la farine, la cannelle, la levure chimique, le bicarbonate de soude, le sel et les raisins secs. Régler au fonctionnement par impulsions et mélanger. Verser le mélange dans le bol mélangeur contenant le mélange de carottes et pomme hachées. Verser à l'aide d'une cuillère dans un moule à muffins recouvert de papier ou graissé, en remplissant environ aux  $\frac{3}{4}$ . Cuire à 375°F pendant 15 à 20 minutes. **Quantité : 24 muffins.**

## **Pain de maïs au cheddar et à l'oignon**

4 oz de cheddar (1 tasse râpé)	1 emballage de 8 oz de mélange à muffins au maïs
1 petit oignon, pelé et coupé en quartiers	1 boîte de 8 oz de maïs en crème
1 c. à soupe de beurre	1 récipient de 8 oz de crème sure
1 oeuf	
½ tasse de lait	

Avec le disque pour trancher/hacher, côté pour hacher vers le haut, hacher le cheddar et le mettre de côté. Avec le couteau en place, mettre l'oignon dans le bol et le couper finement. Mettre l'oignon coupé et le beurre dans un poêlon et cuire à feu moyen à élevé jusqu'à ce que les oignons soient mous. Mettre de côté et refroidir. Ne pas laver le bol. Avec le couteau en place, mettre l'oeuf, le lait, le mélange à muffins et le maïs dans le bol. Régler au fonctionnement par impulsions et mélanger. Verser le mélange sur une plaque à pâtisserie carrée de 8 po. Mélanger l'oignon, le fromage et la crème sure. Garnir le mélange de petites cuillères pleines de mélange à la crème sure. Cuire à 425°F pendant 30 à 35 minutes. **Quantité : 6 à 8 portions.**

## **Pouding au pain à l'ananas au four**

12 tranches de pain blanc, déchiré en languettes pour passer dans la trémie	1 c. à thé de vanille
1 boîte de 20 oz de morceaux d'ananas, égouttés	1 c. à soupe de beurre fondu ou de margarine
2 oeufs	1½ tasse de sucre
1 tasse de crème moitié-moitié	3 tranches d'ananas, égouttées

Insérer le couteau dans le plat du robot culinaire et, robot en marche, laisser tomber le pain mou dans la trémie pour l'émietter. Verser dans une cocotte de 2 pintes graissée. Mettre les morceaux d'ananas dans le bol du robot avec le couteau en place. Couper les ananas pendant 20 secondes. Ajouter les oeufs, la crème, la vanille, le beurre fondu ou la margarine et le sucre. Bien mélanger. Verser le mélange sur le pain mou émietté. Garnir des trois rondelles d'ananas en les chevauchant au centre. Cuire à 350°F au four pendant 1 heure ou jusqu'à ce que le dessus soit doré. **Quantité : 8 portions.**

## **Gâteau au fromage aux copeaux de chocolat**

<b>Garniture :</b>	<b>Croûte :</b>
3 emballages de 8 oz de fromage en crème, coupé en morceaux	1 c. à thé de beurre, ramolli
1 tasse de sucre	22 biscuits aux copeaux de chocolat
2 c. à soupe de farine	3 à 4 c. à soupe de beurre non salé, fondu
4 oeufs	
¼ tasse de lait	
1 c. à thé de vanille	
½ tasse de copeaux de chocolat	

**Croûte :** Utiliser 1 c. à thé de beurre pour graisser un moule à charnière de 9 po ou 9½ po et mettre de côté. Avec le couteau en place et le robot en marche, verser les biscuits dans la trémie et mélanger jusqu'à ce qu'ils soient tous bien émiettés. Ajouter le beurre fondu dans la trémie et bien mélanger. Verser les miettes dans le moule à charnière et les tasser uniformément contre le fond du moule. Cuire à 425°F pendant 10 minutes. Sortir du four et laisser refroidir sur une grille.

**Garniture :** Avec le couteau en place, verser le fromage en crème, le sucre, la farine, les oeufs, le lait et la vanille dans le bol. Mélanger jusqu'à consistance lisse. Verser la garniture sur la croûte refroidie et saupoudrer de copeaux de chocolat. Cuire pendant 15 minutes à 425°F. Réduire la chaleur à 250°F et continuer la cuisson (sans ouvrir la porte du four) pendant 45 minutes ou davantage ou jusqu'à ce que le gâteau au fromage soit pris. Une fois refroidi, couvrir et réfrigérer plusieurs heures ou toute la nuit. **Quantité : 16 portions.**

**Conseil de cuisson :** Pour obtenir un gâteau au fromage plus crémeux, le cuire dans un bain d'eau. Couper une feuille de papier d'aluminium environ 6 po plus grande que le moule à charnière. Déposer le moule au centre de la feuille d'aluminium et en envelopper le moule. Ceci pour éviter que l'eau ne s'infilte dans le moule. Placer ensuite le moule à charnière dans une plaque plus grande contenant environ 1½ po d'eau chaude du robinet. Cuire tel qu'indiqué.

## Croustade aux pommes Marissa

6 grosses pommes Golden Delicious, pelées et évidées et coupées pour passer dans la trémie (6 tasses tranchées)  
1 c. à soupe de jus de citron  
½ tasse de sucre  
1 c. à soupe de farine  
1 c. à thé de cannelle  
¼ c. à thé de noix de muscade

### Garniture :

½ tasse de beurre fondu  
1 tasse de farine  
1 tasse de sucre  
1 c. à thé de cannelle

Avec le disque pour trancher/hacher, côté pour trancher vers le haut, trancher les pommes. Mettre les pommes dans un grand plat. Les arroser de jus de citron. Les saupoudrer de sucre, farine, cannelle et noix de muscade. Bien mélanger, puis mettre les pommes dans un plat de cuisson de 2 pintes non graissé. Avec le couteau en place, verser les ingrédients de la garniture dans le bol et régler le robot au fonctionnement par impulsions jusqu'à ce que le tout soit bien mélangé. Saupoudrer la garniture sur les pommes. Cuire à 375°F pendant 30 minutes. Servir accompagné de crème glacée à la vanille. **Quantité : 6 portions.**

HAMILTON BEACH PROCTOR-SILEX, INC.

Washington, North Carolina 27889

PROCTOR-SILEX CANADA, INC.

Picton, Ontario K0K 2T0

Adresse du site Web : [www.hamiltonbeach.com](http://www.hamiltonbeach.com)

840066200

1/00

17



## Free Manuals Download Website

<http://myh66.com>

<http://usermanuals.us>

<http://www.somanuals.com>

<http://www.4manuals.cc>

<http://www.manual-lib.com>

<http://www.404manual.com>

<http://www.luxmanual.com>

<http://aubethermostatmanual.com>

Golf course search by state

<http://golfingnear.com>

Email search by domain

<http://emailbydomain.com>

Auto manuals search

<http://auto.somanuals.com>

TV manuals search

<http://tv.somanuals.com>