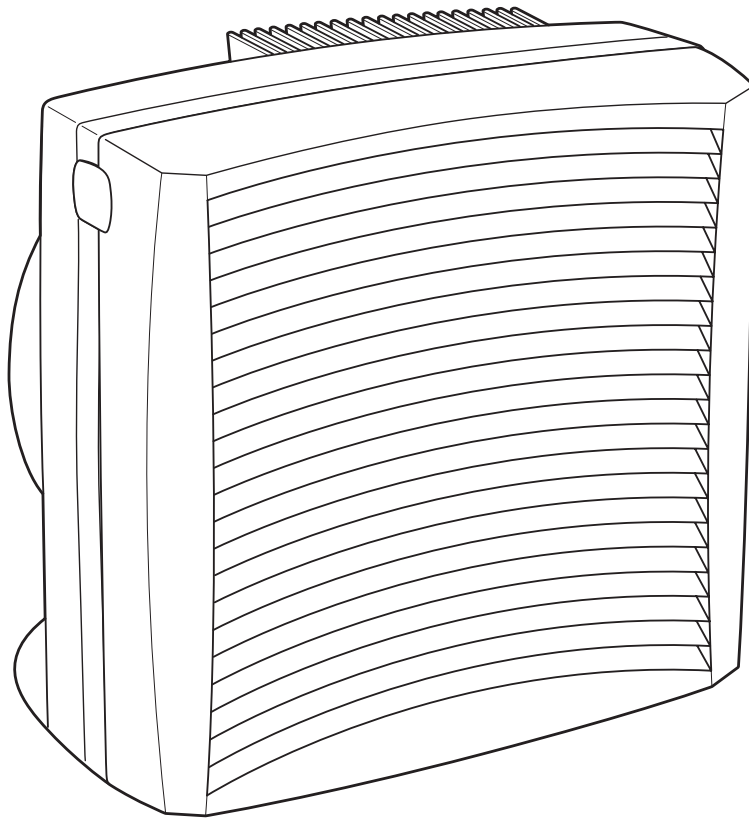


TrueAir[™] *HEPA*

READ BEFORE USE



USA: 1-800-851-8900
Canada : 1-800-267-2826

840133100

IMPORTANT SAFEGUARDS

READ AND SAVE THESE INSTRUCTIONS.

In order to prevent the risk of fire, electric shock, personal injury or damage to property, follow these instructions carefully. When using electric appliances, basic safety precautions should be followed, including the following:

1. Read all instructions before using this appliance. Save these instructions for reference.
2. Do not immerse this product in water or splash water on it. An electrical short may result in shock or fire.
3. Do not handle the plug with wet hands; electrical shock may occur, resulting in injury or death.
4. Never attempt to disassemble or alter the product in any way not instructed by this manual. Shock, fire, or bodily injury may occur. Contact Hamilton Beach at 1-800-851-8900 for assistance.
5. Do not operate this product in any greasy environment, such as in the kitchen. This product is not intended to filter oil or grease from the air.
6. Do not operate this product near an open flame (candle, fireplace, stovetop, etc.). It may ignite, resulting in bodily injury or property damage.
7. Do not operate this product in a garage or other area with oil or chemicals such as solvents or insecticides.
8. Always unplug the power cord from the receptacle when the product is not in use, before cleaning, replacing parts, or before moving to another location.
9. Do not insert foreign objects into the product for any reason. Bodily injury or property damage may occur.
10. Do not use this product outdoors. It is intended for indoor use only.
11. **WARNING:** To reduce the risk of fire or electric shock, do not use this product with any solid-state speed control device.
12. Do not use the TrueAir™ product in unheated areas such as a garage or porch.

SAVE THESE INSTRUCTIONS!

Other Consumer Safety Information

This appliance is intended for household use only.

This appliance is equipped with a polarized plug. This type of plug has one blade wider than the other. The plug will fit into an electrical outlet only one way. This is a safety feature intended to help reduce the risk of electrical shock. If you are unable to insert the plug into the outlet, try reversing the plug. If the plug should still fail to fit, contact a qualified electrician to replace the obsolete outlet. Do not attempt to defeat the safety purpose of the polarized plug by modifying the plug in any way.

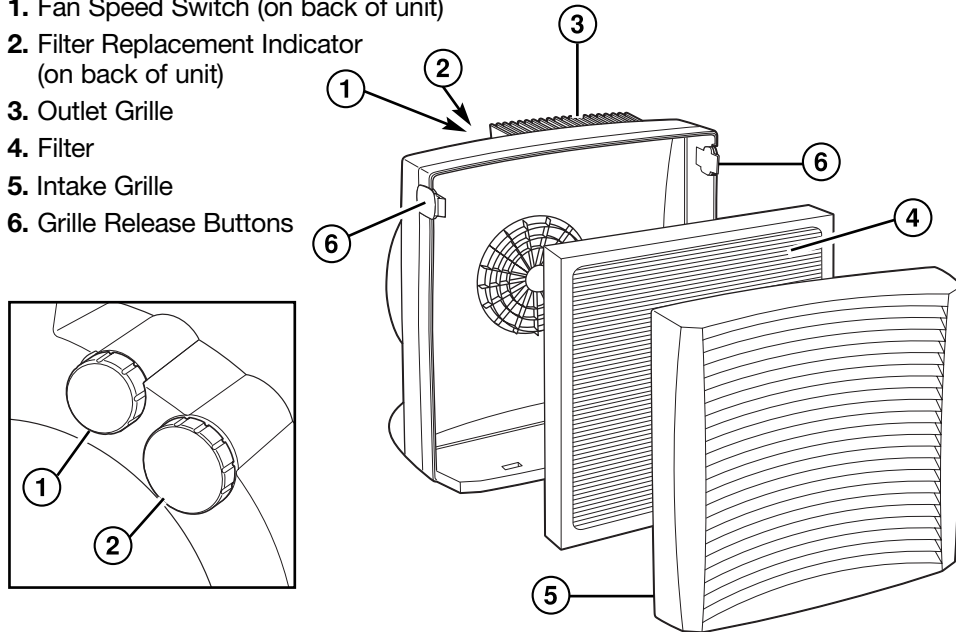
If a longer cord is necessary, an approved extension cord may be used. The electrical rating of the extension cord must be equal to or greater than the rating of the Air Purifier. Care must be taken to arrange the extension cord so that it will not drape over the countertop or tabletop where it can be pulled on by children or accidentally tripped over. Route the electrical or extension cord clear of furniture to prevent damage from pinching.

- Do not immerse in water.
- Do not install the unit where water can splash on it or near an open window.
- Do not place foreign objects inside the unit.
- Do not use Air Purifier with a customized or non-standard outlet.
- Do not obstruct the vents. Keep clear of drapes and furniture.
- Not suitable for use in hazardous locations such as in the presence of flammable or volatile vapors.
- Instruct children never to interfere with the unit.
- Use with a properly functioning electrical outlet only.
- This product is not a toy. For adult use only.
- Do not use near cooking areas. This Air Purifier is not intended to be used as an exhaust fan to remove smoke and grease resulting from cooking.

Parts and Features

NOTE: The appearance of the model shown below may differ slightly from your unit.


1. Fan Speed Switch (on back of unit)
2. Filter Replacement Indicator (on back of unit)
3. Outlet Grille
4. Filter
5. Intake Grille
6. Grille Release Buttons



How to Assemble and Use

IMPORTANT: Your product is designed for easy use and maintenance. Make sure that the filter is properly installed before use.

WARNING: To reduce the risk of electrical shock, never plug in the Air Purifier while your hands are wet. Always unplug the Air Purifier before moving or servicing the unit.

	⚠ WARNING
	To reduce the risk of electrical shock: <ul style="list-style-type: none">• Never plug in the Allergen Purifier while your hands are wet.• Always unplug the Allergen Purifier before moving or servicing the unit.

About Your Allergen Reducer

How the Air Purifier filters air:

1. A fan draws air through the intake grille on the front of the unit.
2. The air filtration, using patented 3M HEPA technology, is 99.97% efficient at removing particles as small as 0.3 microns.
3. The filtered air is released through the outlet grille on the top of the unit.

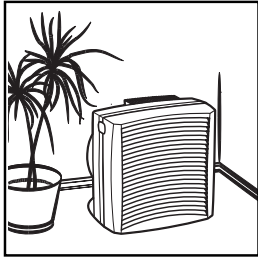
How to Assemble and Use *(cont.)*

Selecting the Proper Location

To prevent the risk of personal injury or damage to the product and provide the best possible performance of your product, follow the placement guidelines below:

DO:

- Place the product on a flat, stable surface.



- Place product near an electrical outlet where it is out of the way. Make sure that the product and the cord do not present tripping hazards.
- Select a central location with adequate air circulation.
- Turn off and unplug product before moving or servicing it, or if it will not be used for several days.
- Route the electrical cord clear of furniture to prevent damage from pinching the cord.

DO NOT:

- Do not stand, sit, or place any objects on the product. It is not designed to support additional weight.



- Do not block air intake and outlet grilles with drapes, curtains, or blinds. This may cause reduced performance.
- Do not use in cooking areas, garage, or areas with grease, oil or chemicals such as solvents or insecticides.
- Do not place on or near heat sources such as stoves, radiators, or heaters.
- To reduce electrical noise and interference, do not place on or near, or plug into the same outlet as TVs, baby monitors, or cordless phones.
- Do not place in direct sunlight as the plastic may discolor after prolonged exposure.

Using the Product

- Before First Use:** Be sure to remove all packing materials.
- See "Replacing the Filter" for disassembly instructions.

Replacing the Filter

- Turn off the product and unplug from outlet.
- To remove intake grille, press on the grille release buttons on each side of the grille and pull outward from the top of the grille.
- Remove the used filter by gripping the sides and pulling outward. Discard the used filter. It cannot be cleaned.
- Remove any packing materials from the new filter and install with the air-flow arrow printed on the filter frame pointing into the appliance.

5. To close the intake grille, position the bottom of the grille on the front of the unit and push on the front of the grille until it snaps into place.
6. Advance the filter replacement indicator to the month of purchase to indicate month of change in one year.
7. Ensure that the product is in the OFF position.
8. Plug in the product.
9. Select desired fan speed.

NOTES:

- Filter life is determined by use. If the product is used continuously, it may need to be replaced more than once a year. The filter life will also depend on the air quality and allergy season.
- Improper filter installation will result in poor air filtration.

To Order Replacement Filters

Factors such as room shape and ceiling height can affect the rate of filtration. It is normal that the air flow will be reduced as the filter becomes clogged. Replace the filter as needed.


Purifier Model	Room Size (sq. ft.)	Filter
04471	110 ft ²	04973
04481	250 ft ²	04983

To order replacement filters, order online at www.trueairfilters.com or call Customer Service:

U.S. at 1-800-455-7213
Canada at 1-800-267-2826

How to Clean

Your Air Purifier is designed to provide years of trouble-free service with minimal maintenance. The following instructions will help you maximize the life and efficiency of your product.

	<p>! WARNING</p> <p>To reduce risk of electric shock:</p> <ul style="list-style-type: none"> • Always unplug before cleaning. • Do not immerse in water or other liquid.
---	--

1. Unplug the unit before cleaning.
2. Wipe the exterior housing with a clean, dry cloth only.
3. To clean the grille, wipe with a damp cloth or use a vacuum cleaner to remove lint or debris.
4. Do not use detergents, solvents, or spray cleaners. No part of the product should be placed in a dishwasher.

Troubleshooting Guide

The following section provides the solutions to many common problems and questions. If your product is not working correctly, review these solutions first. If your problem is still not solved after reviewing this guide, call our toll-free customer service number, listed on the front cover of this manual, for assistance.

PROBLEM	THINGS TO CHECK
Product will not turn on.	<ul style="list-style-type: none"> • Is the product plugged into a powered outlet? Check the outlet by plugging in a lamp. • Is the fan speed switch turned on?
Reduced airflow or poor filtering.	<ul style="list-style-type: none"> • The intake or outlet grille may be blocked. Make sure nothing is in front of or on top of the product. • The filter may be clogged. Check the filter and replace if necessary. • The filter may be installed incorrectly. Make sure the airflow arrow is pointing into the appliance.

Customer Service

If you have a question about your product, call our toll-free customer service number. Before calling, please note the model, type, and series numbers and fill in that information below. These numbers can be found on the back of the unit. This information will help us answer your question much more quickly.

MODEL: _____ **TYPE:** _____ **SERIES:** _____

LIMITED WARRANTY

This product is warranted to be free from defects in material and workmanship for a period of one (1) year from the date of original purchase, except as noted below. During this period, we will repair or replace this product, at our option, at no cost. THE FOREGOING WARRANTY IS IN LIEU OF ANY OTHER WARRANTY, WHETHER EXPRESS OR IMPLIED, WRITTEN OR ORAL, INCLUDING ANY WARRANTY OF MERCHANTABILITY OR FITNESS FOR A PARTICULAR PURPOSE. ANY LIABILITY IS EXPRESSLY LIMITED TO AN AMOUNT EQUAL TO THE PURCHASE PRICE PAID, AND ALL CLAIMS FOR SPECIAL, INCIDENTAL AND CONSEQUENTIAL DAMAGES ARE HEREBY EXCLUDED. There is no warranty with respect to the following, which may be supplied with this product: the filter. This warranty extends only to the original consumer purchaser and does not cover a defect resulting from abuse, misuse, neglect, use for commercial purposes, or any use not in conformity with the printed directions. This warranty gives you specific legal rights, and you may also have other legal rights which vary from state to state, or province to province. Some states or provinces do not allow limitations on implied warranties or special, incidental or consequential damages, so the foregoing limitations may not apply to you. If you have a claim under this warranty, **DO NOT RETURN THE APPLIANCE TO THE STORE!** Please call our CUSTOMER SERVICE NUMBER. (For faster service please have model, series, and type numbers ready for operator to assist you.)

CUSTOMER SERVICE NUMBERS

In the U.S. 1-800-851-8900

In Canada 1-800-267-2826

trueair.com

KEEP THESE NUMBERS FOR FUTURE REFERENCE!

HAMILTON BEACH ◀ PROCTOR-SILEX, INC.

263 Yadkin Road
Southern Pines, North Carolina 28387

PROCTOR-SILEX CANADA, INC.

Picton, Ontario K0K 2T0

840133100

trueair.com • trueair.com.mx

1/05

7

Free Manuals Download Website

<http://myh66.com>

<http://usermanuals.us>

<http://www.somanuals.com>

<http://www.4manuals.cc>

<http://www.manual-lib.com>

<http://www.404manual.com>

<http://www.luxmanual.com>

<http://aubethermostatmanual.com>

Golf course search by state

<http://golfingnear.com>

Email search by domain

<http://emailbydomain.com>

Auto manuals search

<http://auto.somanuals.com>

TV manuals search

<http://tv.somanuals.com>