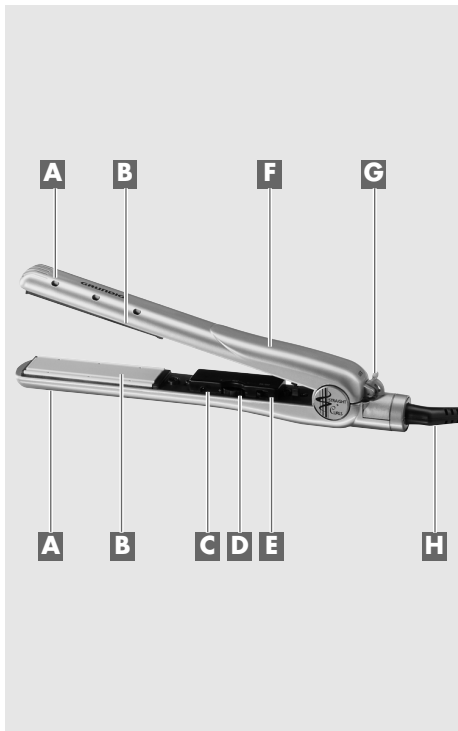


GRUNDIG
made for you

**MULTI
HAIRSTYLER**

**Straight & Curls
HS 7630**



| | |
|------------------|---------|
| DEUTSCH | 6 - 18 |
| ENGLISH | 19 - 29 |
| PORTUGUÊS | 30 - 40 |
| ESPAÑOL | 41 - 51 |
| TÜRKÇE | 52 - 62 |

SAFETY

Please note the following instructions when using the appliance.

- The appliance is designed for domestic use only.
- Never use the appliance in the bath, shower or over a wash basin filled with water; nor should it be operated with wet hands.
- Do not immerse the appliance in water or let it come into contact with water, even during cleaning.
- Do not use this appliance in the bathtub, wash basin or any other vessel.
- The appliance can become very hot. Never put your hair between the ceramic plates for longer than a few seconds.
- Do not point the vapour coming from the heat nozzles at your eyes or at any other sensitive part of the body.
- Do not allow the hot plates to come into contact with your face, neck or head.
- Never cover the appliance, for example with a towel.
- Pull out the power cord after use. Do not pull out the plug by pulling on the cable. To allow the appliance to cool down, place it on a heat resistant surface.
- If the appliance is used in the bathroom, it is essential that the power cord is pulled out after use, as water close to the appliance can still constitute a danger, even if the appliance is switched off.



SAFETY

- Do not use the appliance if the power cord or the appliance are visibly damaged.
- Keep the appliance away from children.
- Never open the appliance under any circumstances. No warranty claims are accepted for damage resulting from improper handling.

Environmental note

This product has been made from high-quality parts and materials which can be re-used and recycled.

Therefore, do not throw the product away with normal household waste at the end of its life.

Take it to a collection point for recycling electrical and electronic devices. This is indicated

by this symbol on the product, in the operating manual and on the packaging.

Please find out about collection points operated by your local authority.

Help protect the environment by recycling used products.



OVERVIEW

Unfold page 2 so that you have the illustration in front of you.

Controls

- A** Heat nozzles
- B** Ceramic/tourmaline heating plates
- C** Mode indicator (LED)
- D** Adjustable temperature
- E** On/off
- F** Handle
- G** Lock
- H** Rotatable power cord

Power supply

Check that the mains voltage on the type plate corresponds to your local mains supply.

The only way to disconnect the appliance from the mains is to pull out the plug.

- 1 Plug the power cord **E** into the wall socket.

OPERATION

Special features

The appliance has high-quality heating plates **B** made from industrial ceramic and tourmaline.

The ceramic coating ensures there is an even distribution of heat on the heating plates.

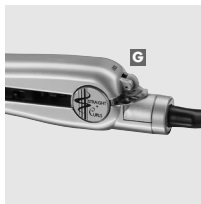
Tourmaline has a type of crystal coating with ionising properties which prevents static build up in the hair. This gives you frizz-free, smooth hair.

These two coatings (ceramic/tourmaline) ensure your hair is styled gently.

You can use your appliance on dry, damp or towel-dried hair.

Straightening hair

- 1 Plug the power cord **H** into the wall socket.
- 2 If necessary, unlock it with **G**.

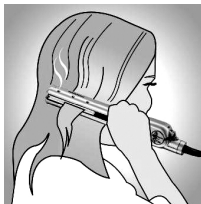


OPERATION

- 3 Press **E** to switch on the appliance.
 - The mode indicator **C** lights up.
- 4 Press **D** to set the temperature.

Notes

- Depending on the setting it can reach a maximum temperature of approx. 200 °C after about three minutes. Keep the appliance in your hand while it is heating up.
- You can straighten your hair when it is dry, damp or towel-dried. Wet hair dries while it is being straightened.



- 5 Comb or brush out a strand of your hair approximately 5 cm wide, starting at the neck.

OPERATION

- 6 Position the strand of hair between the ceramic/tourmaline plates **B** about 5 cm from your hair line and then close them.

Note

- Do not touch the ceramic/tourmaline plates as they are very hot.
 - Be careful not to point the heat nozzles on the top of the appliance at your face and head.
 - If any excess water from towel-dried or damp hair gets on the hot plates, you will hear a hissing noise and vapour coming out. This is totally normal. It is the sound of the excess water in your hair evaporating. The water acts as a barrier between your hair and the heat and ensures that the hair cuticles close before straightening.
- 7 Hold the appliance in position until the hair is heated.

Note

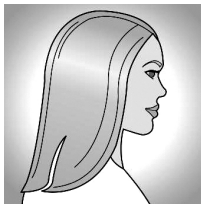
- This takes only a few seconds.
- 8 Guide the ceramic/tourmaline plates gently down to the end of your hair strand.
 - 9 Avoid making kinks in it.

OPERATION

- 10** Repeat the process on the same strand of hair until it is sufficiently straight and dry.

Note

- If you have thick hair, you might have to repeat this process on the same strand several times.
- 11** When you have finished, press **E** to switch the appliance off and disconnect the power cord **H**.



Notes

- Never leave the appliance unattended while it is plugged in.
- Pull out the mains plug after use. Leave the appliance in a safe place to cool down. For safe storage, turn on the lock **G** on the appliance when it has cooled down.

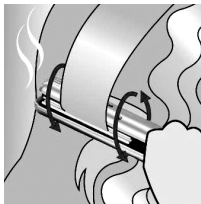
OPERATION

Styling curly hair

- 1 Plug the power cord **H** into the wall socket.
- 2 If necessary, unlock it with **G**.
- 3 Press **E** to switch on the appliance.
– The mode indicator **C** lights up.
- 4 Press **D** to set the temperature.

Hinweis

- You can style your hair when it is dry, damp or towel-dried. Wet hair dries while it is being styled.
- 5 Comb or brush out a strand of your hair approximately 5 cm wide, starting at the neck.
 - 6 Position the strand of hair between the ceramic/tourmaline plates **B** about 5 cm from your hair line and then close them.



OPERATION

- 7 Depending on the hair style, turn the appliance by 180° and wrap your hair around the heat nozzles **A** and curl up.
- 8 When you have finished, press **E** to switch the appliance off and disconnect the power cord **H**.



CLEANING AND CARE _____

Cleaning and care

- 1 Turn the appliance off and unplug the cable.
- 2 Before cleaning, allow the appliance to cool down completely. The appliance can become very hot and take up to 45 minutes to cool.
- 3 Only clean the housing and the ceramic/tourmaline plates with a soft, damp cloth.

Note

- Never put appliance or power cord in water or any other liquid. Do not use any cleaning agents.
- 4 Before using the appliance again, dry all parts completely using a soft towel.

Storage

If you do not want to use the appliance for a long period of time, please store it carefully.

- 1 Ensure that it is unplugged, has completely cooled down and is completely dry.
- 2 Put the lock on the appliance and store in its original box in a cool, dry place. Do not wind the power cord around the appliance.
- 3 Make sure the appliance is kept out of reach of children.

INFORMATION



This product fulfils the European directives 89/336/EEC and 73/23/EEC.

Technical data

Power supply

220-240 V, 50 Hz

Temperature

Max. 200 °C for 35 W

Technical and design modifications reserved.

Grundig Multimedia B.V.

Atrium, Strawinskylaan 3105 • NL-1077 ZX Amsterdam • <http://www.grundig.com>

Free Manuals Download Website

<http://myh66.com>

<http://usermanuals.us>

<http://www.somanuals.com>

<http://www.4manuals.cc>

<http://www.manual-lib.com>

<http://www.404manual.com>

<http://www.luxmanual.com>

<http://aubethermostatmanual.com>

Golf course search by state

<http://golfingnear.com>

Email search by domain

<http://emailbydomain.com>

Auto manuals search

<http://auto.somanuals.com>

TV manuals search

<http://tv.somanuals.com>