

iHome®

iDM12

*portable rechargeable
Bluetooth stereo speaker*



instruction manual

Download from www.Somanuals.com. All Manuals Search And Download.

iDM12

Introduction

Thank you for purchasing the iHome iDM12. This product is designed to provide high quality wireless sound for your iPad, iPhone, iPod, computer, PDA or other Bluetooth audio device.

Along with the included Quick Bluetooth Connection Guide, this instruction booklet explains the basic operation and care of the unit. Please read them carefully and keep for future reference.

Maintenance

- Place the unit on a level surface away from sources of direct sunlight or excessive heat.
- Protect your furniture when placing your unit on a natural wood and lacquered finish. A cloth or other protective material should be placed between it and the furniture.
- Clean your unit with a soft cloth moistened only with mild soap and water. Stronger cleaning agents, such as Benzene, thinner or similar materials can damage the surface of the unit.

iDM12



This product bears the selective sorting symbol for waste electrical and electronic equipment (WEEE).

This means that this product must be handled pursuant to European Directive 2002/96/EC in order to be recycled or dismantled to minimize its impact on the environment.

For further information, please contact your local or regional authorities.

Electronic products not included in the selective sorting process are potentially dangerous for the environment and human health due to the presence of hazardous substances.

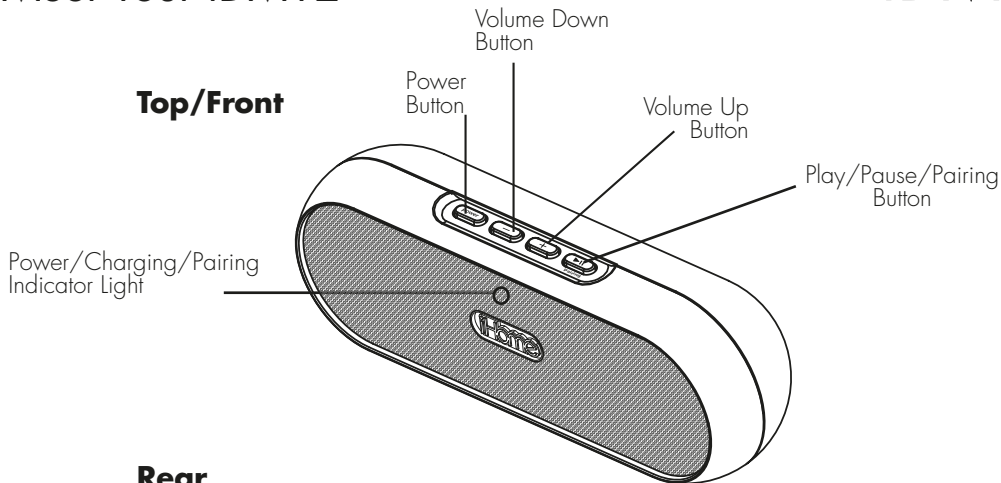
Table of Contents

Meet Your iDM12	1-2
Charging the Unit.....	3
Using Bluetooth:Pairing Your Device	4
Playing Audio Via Bluetooth.....	5
Playing Audio Via Aux.....	6
Internal Rechargeable Lithium-ion Battery.....	7
Consumer Product Safety Guide	8-9
Troubleshooting	10

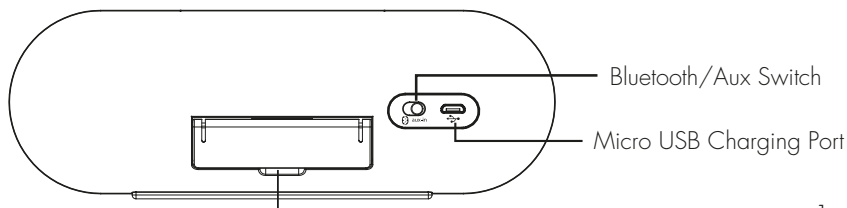
Meet Your iDM12

iDM12

Top/Front



Rear



Fold out speaker stand

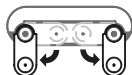
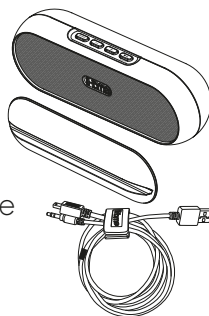
Download from www.Somanuals.com All Manuals Search And Download.

(pull out to keep thin upright)

iDM12

Included

- iDM12 system
- Magnetic cover/foldout iPad stand
- Micro USB to USB/3.5 mm audio cable



A

The unit includes a magnetic travel cover that doubles as an iPad stand. To use as a stand, fold out the feet on its bottom. For travel, fold up feet and place cover on the front of the unit.



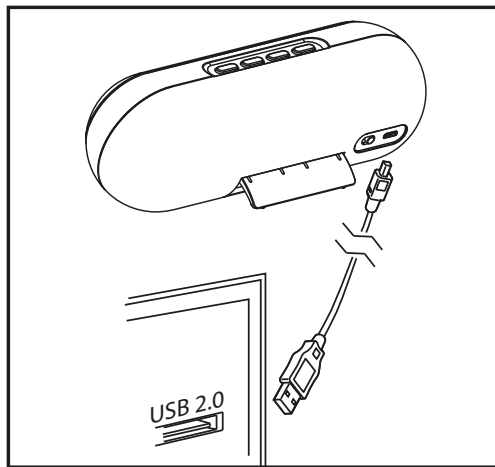
B

Place stand on a flat, stable surface. Dock iPad into groove. iPad should not be in a case or skin. For best stability, dock iPad in landscape mode.

Using the iDM12

Charging the Unit

1. Connect the micro USB plug to the micro USB charging port on the back of the unit.
2. Connect the standard USB plug end of the cable to a power USB port on a computer or other USB charging device. For first time use, charge unit for about 8 hours.
3. **A green light flashes while the unit is charging** and glows steadily when unit is fully charged. If unit is not powered on when micro USB plug is connected, the green light flashes once to indicate unit is charging.



NOTE: When unit is on and not connected to power source, flashing green light indicates battery needs charging.

Using the iDM12

Using Bluetooth: Pairing Your Device

NOTE: See the iDM12 Bluetooth Connection Guide for complete pairing details.

1. Move the **Bluetooth/Aux Switch** to the Bluetooth position (left).
2. *Press and hold* the **Power Button** to turn on the unit (release when green light appears).
3. Turn on Bluetooth capability on your device and make it discoverable (see your device's instructions to add or setup a Bluetooth device).
4. *Press and hold* the **Play/Pause/Pairing Button** on the iDM12 until an amber light flashes on front of the unit and it beeps twice to indicate pairing attempt. The amber light will flash while the unit attempts to pair. If your device asks for a password, enter **1234** on the keyboard of your device. If no device is paired within 3 minutes, the unit will power off. If this occurs, retry steps 2-4.
5. Once paired with a device, the amber light will glow steadily, then turn green. There should be an indication on your device that pairing is complete. On some devices, you must then select "use as a stereo audio device" or similar on the device's Bluetooth menu. Once paired, your device should link to the iDM12 whenever within range.

Using the iDM12

Playing Audio Via Bluetooth

1. Move the **Bluetooth/Aux Switch** to the Bluetooth position to listen to audio streamed wirelessly from your paired iPad, iPhone, iPod or other Bluetooth device.
2. *Press and hold* the **Power Button** to turn on the unit. The amber light will flash as the unit searches for a previously paired device, and then turn green when a previously paired device is detected.
3. Press the **Play/Pause/Pairing Button** to play or pause audio from your Bluetooth device. **NOTE:** Play/Pause only works in Bluetooth mode. It does not control aux line-in devices.
4. Use the **Volume +/- Buttons** to adjust volume.
5. When done listening, press the **Power Button** to turn the unit off.

Using the iDM12

Playing Audio via Aux

1. Move the **Bluetooth/Aux switch** to the Aux position to listen to audio via aux in.
2. Connect the micro USB plug to the micro USB charging port on the back of the unit and connect the 3.5 mm audio plug to the headphone or line-out jack on your audio device.
3. *Press and hold* the **Power Button** to turn on the unit (release when green light appears).
4. Use the **Volume +/- Buttons** to adjust volume. You may wish to adjust the volume on your audio device, too.
5. When done listening, press the **Power Button** to turn the unit off. Remember to turn off your audio device, too.

Internal Rechargeable Lithium-ion Battery

This device uses an internal rechargeable lithium-ion battery that should last the lifetime of the device. If you suspect your battery may be dead, try charging it several times. If the battery does not recharge, please contact us for repair information.

WARNING/DISPOSAL OF UNIT

Please do NOT attempt to change the battery yourself. If the battery has died and you do not want us to replace your battery, you should follow the disposal instructions below:

- Never dispose of used batteries/electronics with ordinary solid wastes, since they contain toxic substances.
- Always dispose of used batteries/electronics in accordance with the prevailing community regulations that apply to the disposal of batteries/electronics. If there are no local regulations concerning battery/electronics disposal, please dispose of the device in a waste bin for electronic devices.
- Many electronics retailers now recycle batteries and other electronic components at no charge. Check to see which ones in your area do so.

CAUTION

The battery used in this device may present a risk of fire, explosion or chemical burn if mistreated

- Never use or charge the battery if it appears to be leaking, discolored, deformed, or in any way abnormal.
- Never disassemble the unit or attempt to remove battery as that could cause leakage of alkaline solution or other electrolytic substance.
- Always confirm that the temperature is 5°C – 35° C (41° - 95° Fahrenheit) before you charge the battery. Leakage or deterioration of the battery may occur if this warning is not heeded.
- Never expose the battery to any liquid.
- Never expose the battery to excessive heat such as direct sunlight or fire. Never use the battery pack in an unventilated vehicle where excessive internal temperatures may be encountered.
- Always keep the battery out of the reach of infants and small children.

Consumer Product Safety Guide

IMPORTANT SAFETY INSTRUCTIONS

When used in the directed manner, this unit has been designed and manufactured to ensure your personal safety. However, improper use can result in potential electrical shock or fire hazards. Please read all safety and operating instructions carefully before installation and use, and keep these instructions handy for future reference. Take special note of all warnings listed in these instructions and on the unit.

1. **Water and Moisture** – The unit should not be used near water. For example: near a bathtub, washbowl, kitchen sink, laundry tub, swimming pool or in a wet basement.
2. **Ventilation** – The unit should be situated so that its location or position does not interfere with its proper ventilation. For example, it should not be situated on a bed, sofa, rug or similar surface that may block ventilation openings. Also, it should not be placed in a built-in installation, such as a bookcase or cabinet, which may impede the flow of air through the ventilation openings.
3. **Heat** – The unit should be situated away from heat sources such as radiators, heat registers, stoves or other appliances (including amplifiers) that produce heat.
4. **Power Sources** – The unit should be connected to a power supply only of the type described in the operating instructions or as marked on the appliance.
5. **Power-Cable Protection** – Power supply cables should be routed so that they are not likely to be walked on or pinched by items placed upon or against them. It is always best to have a clear area from where the cable exits the unit to where it is plugged into an AC socket.
6. **Cleaning** – The unit should be cleaned only using a warm damp cloth. Do not use solvents, etc.
7. **Objects and Liquid Entry** – Care should be taken so that objects do not fall and liquids are not spilled into any openings or vents located on the product.

8. **Attachments** – Do not use attachments not recommended by the product manufacturer.
9. **Lightning and Power Surge Protection** – Unplug the unit from the wall socket and disconnect the antenna or cable system during a lightning storm or when it is left unattended and unused for long periods of time. This will prevent damage to the product due to lightning and power-line surges.
10. **Overloading** – Do not overload wall sockets, extension cords, or integral convenience receptacles as this can result in a risk of fire or electric shock.
11. **Damage Requiring Service** – The unit should be serviced by qualified service personnel when:
 - A. the power supply cable or plug has been damaged.
 - B. objects have fallen into or liquid has been spilled into the enclosure.
 - C. the unit has been exposed to rain.
 - D. the unit has been dropped or the enclosure damaged.
 - E. the unit exhibits a marked change in performance or does not operate normally.
12. **Periods of Nonuse** – If the unit is to be left unused for an extended period of time, such as a month or longer, the power cable should be unplugged from the unit to prevent damage or corrosion.
13. **Service** – The user should not attempt to service the unit beyond those methods described in the user's operating instructions. Service methods not covered in the operating instructions should be referred to qualified service personnel.

Questions? Visit www.ihomeintl.com

Troubleshooting

Unit doesn't respond (no power)

Make sure unit is completely charged. Check that all connections are correct and properly plugged in. Make sure your device is properly paired with the iDM12.

Trouble pairing device/computer with iDM12

Bluetooth implementation varies depending on your computer's hardware and operating system. Please see our website for updates on pairing.

- Make sure you have the latest firmware for your iPad, iPhone or iPod (update via iTunes if needed).
- Make sure your device is working properly. Check your device's manual for details on Bluetooth pairing and linking.

For further information and to see the latest instructions, visit www.ihomeaudio.com/support

Free Manuals Download Website

<http://myh66.com>

<http://usermanuals.us>

<http://www.somanuals.com>

<http://www.4manuals.cc>

<http://www.manual-lib.com>

<http://www.404manual.com>

<http://www.luxmanual.com>

<http://aubethermostatmanual.com>

Golf course search by state

<http://golfingnear.com>

Email search by domain

<http://emailbydomain.com>

Auto manuals search

<http://auto.somanuals.com>

TV manuals search

<http://tv.somanuals.com>