

# Limited 90-Day Warranty Information

---

iHome Products, a division of SDI Technologies Inc. (hereafter referred to as SDI Technologies), warrants this product to be free from defects in workmanship and materials, under normal use and conditions, for a period of 90 days from the date of original purchase. Should this product fail to function in a satisfactory manner, it is best to first return it to the store where it was originally purchased. Should this fail to resolve the matter and service still be required by reason of any defect or malfunction during the warranty period, SDI Technologies will repair or, at its discretion, replace this product without charge (except for a \$10.00 charge for handling, packing, return UPS/postage, and insurance). This decision is subject to verification of the defect or malfunction upon delivery of this product to the Factory Service Center listed below. The product must include proof of purchase, including date of purchase. The fee for service without proof of purchase is \$30.00.

Before returning this product for service, please first replace the batteries (if applicable) with fresh ones, as exhausted or defective batteries are the most common cause of problems encountered.

If service is still required:

1. Remove the batteries (if applicable) and pack the unit in a well padded, heavy corrugated box.
2. Enclose a photocopy of your sales receipt, credit card statement, or other proof of the date of purchase, if within the warranty period.
3. Enclose a check or money order payable to the order of SDI Technologies, for the sum of \$10.00 (\$30.00 without proof of purchase).
4. Send the unit prepaid and insured, to the Factory Service Center listed below.

**Consumer Repair Department  
SDI Technologies Inc.  
1330 Goodyear Dr.  
El Paso, TX 79936-6420**

## Disclaimer of Warranty

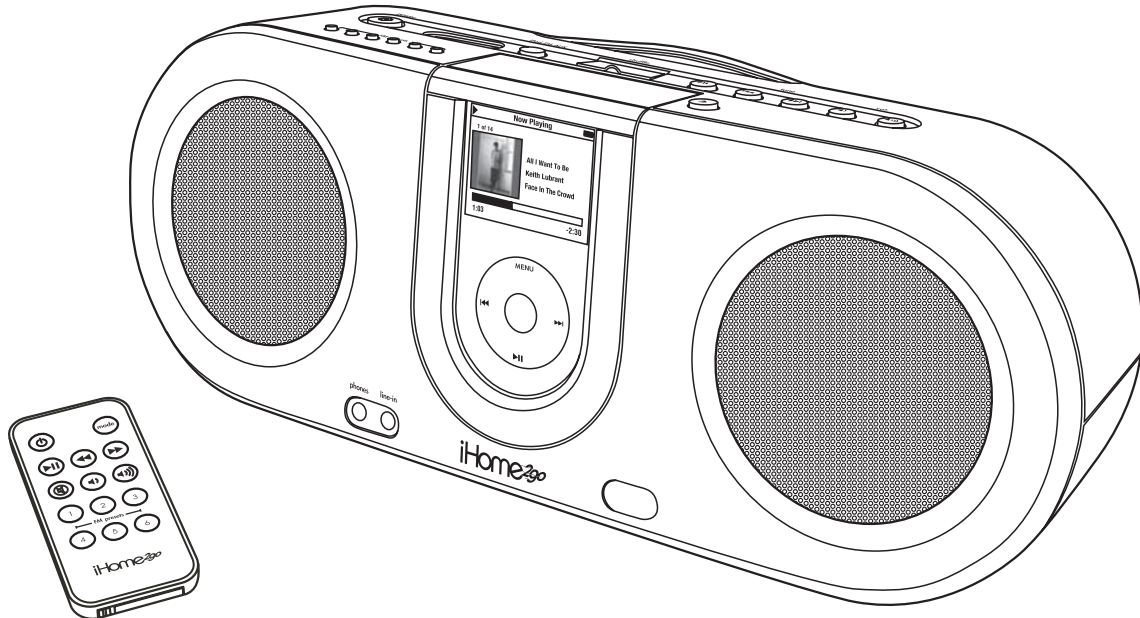
NOTE: This warranty is valid only if the product is used for the purpose for which it was designed. It does not cover (i) products which have been damaged by negligence or willful actions, misuse or accident, or which have been modified or repaired by unauthorized persons; (ii) cracked or broken cabinets, or units damaged by excessive heat; (iii) damage to digital media players, CD's or tape cassettes (if applicable); (iv) the cost of shipping this product to the Factory Service Center and its return to the owner.

This warranty is valid only in the United States of America and does not extend to owners of the product other than to the original purchaser. In no event will SDI Technologies or any of its affiliates, contractors, resellers, their officers, directors, shareholders, members or agents be liable to you or any third party for any consequential or incidental damages, any lost profits, actual, exemplary or punitive damages. (Some states do not allow limitations on implied warranties or exclusion of consequential damages, so these restrictions may not apply to you.) This warranty gives you specific legal rights, and you may also have other rights which vary from state to state. Your acknowledgement and agreement to fully and completely abide by the above mentioned disclaimer of warranty is contractually binding to you upon your transfer of currency (money order, cashier's check, or credit card) for purchase of your SDI Technologies product.

**Questions? Visit [www.ihomeaudio.com](http://www.ihomeaudio.com)  
For any other questions: 1-800-288-2792 Toll Free**

# iHome<sup>2go</sup>™

Model iH31H  
the portable system  
for your iPod®



**NOTE: THIS UNIT WILL NOT CONTROL OR CHARGE 3G iPods**

Download from [www.Somanuals.com](http://www.Somanuals.com). All Manuals Search And Download.

iH31H



# **IMPORTANT**

**Read before proceeding**

If you have any questions regarding the operation or use of this product, please visit **[www.ihomeaudio.com/faq](http://www.ihomeaudio.com/faq)** to view answers to frequently asked questions.

To learn more about this and other iHome products, please visit us online at **[www.ihomeaudio.com](http://www.ihomeaudio.com)**

# Table of Contents

---

|  |       |
|--|-------|
| <b>IMPORTANT</b> .....   | 1     |
| <b>A Consumer Guide to Product Safety</b> .....                            | 3-4   |
| <b>FCC Information</b> .....   | 5     |
| <b>Getting Started</b> .....   | 6     |
| Install iPod Insert  |       |
| <b>Install Power</b> .....   | 7-8   |
| Install AC Adaptor   |       |
| Install/Replace Battery  |       |
| Batteries information  |       |
| Install/Replace the Remote Control Battery                                 |       |
| <b>Maintenance</b> .....   | 8     |
| <b>Controls and Indicators</b> .....                                       | 9     |
| <b>Charging your iPod/iPod Shuffle</b> .....                               | 10    |
| <b>Listening to iPod/iPod Shuffle</b> .....                                | 11    |
| <b>Listening to non-docking iPod or other portable audio devices</b> ..... | 12    |
| <b>Listening to FM Radio</b> .....   | 12    |
| <b>Presetting Your Favorite FM Station</b> .....                           | 13    |
| Presetting a Station   |       |
| Tuning into a Preset Station   |       |
| <b>Operating the Remote On/Off Switch</b> .....                            | 13    |
| <b>Headphone Jack Operation</b> .....                                      | 13    |
| <b>Trouble Shooting</b> .....  | 14-17 |
| <b>Warranty Information</b> .....  | 18    |

# A Consumer Guide to Product Safety

---

## IMPORTANT SAFETY INSTRUCTIONS

When used in the directed manner, this unit has been designed and manufactured to assure your personal safety. However, improper use can result in potential electrical shock or fire hazards. Please read all safety and operating instructions carefully before installation and use. Keep these instructions handy for future reference. Take special note, and adhere to all warnings on the unit and in the instruction and service manual.

1. **Water and Moisture** - The unit should not be used near water. For example, near a bathtub, washbowl, kitchen sink, laundry tub, in a wet basement, or near a swimming pool, etc.
2. **Ventilation** - The unit should be situated so that its location or position does not interfere with its proper ventilation. For example, it should not be situated on a bed, sofa, rug, or similar surface that may block the ventilation openings; or placed in a built-in installation, such as bookcase or cabinet that may impede the flow of air through the ventilation openings.
3. **Heat** - The unit should be situated away from heat source such as radiators, heat register, stoves, or other appliances (including amplifiers) that produce heat.
4. **Power Sources** - The unit should be connected to a power supply only of the type described in the operating instructions or as marked on the appliance.
5. **Power Cord Protection** – Power supply cord should be routed so that they are not likely to be walked on or pinched by items placed upon or against them. It is always best to have a clear area from where the cord exits the unit to where it is plugged into an AC outlet.
6. **Cleaning** - The unit should be cleaned only as recommended by the manufacturer.
7. **Object and Liquid Entry** - Care should be taken so that objects do not fall and liquids are not spilled into the enclosure through openings.

# A Consumer Guide to Product Safety

---

8. **Attachments** – Do not use attachments not recommended by the product manufacturer.
9. **Lightning and Power Surge Protection** – Unplug the unit from the wall outlet and disconnect the antenna or cable system during a lightning storm or when it is left unattended and unused for long periods of time. This will prevent damage to the product due to lightning and power-line surges.
10. **Overloading** – Do not overload wall outlets, extension cords, or integral convenience receptacles as this can result in a risk of fire or electric shock.
11. **Damage Requiring Service** - The appliance should be serviced by qualified service personnel when:
  - A. The power-supply cord or plug has been damaged.
  - B. Objects have fallen into or liquid has been spilled into the enclosure.
  - C. The unit has been exposed to rain.
  - D. The unit has been dropped or the enclosure damaged.
  - E. The unit exhibits a marked change in performance or does not operate normally.
12. **Antenna** – Do not connect an external antenna to the unit (other than that provided).
13. **Periods of Nonuse** – If the unit is to be left unused for an extended period of time, such as a month or longer, the power cord should be unplugged and take out batteries from the unit to prevent damage or corrosion.
14. **Servicing** - The user should not attempt to service the unit beyond that described in the user's operating instructions. All other servicing should be referred to qualified service personnel.

**Questions? Visit [www.ihomeaudio.com](http://www.ihomeaudio.com)**  
**For any other questions: 1-800-288-2792 Toll Free**

# FCC Information

---

**This device complies with part 15 of the FCC Rules. Operation is subject to the condition that this device does not cause harmful interference.**

This equipment complies with the limits for a Class B digital device as specified in Part 15 of FCC Rules. These limits provide reasonable protection against radio and TV interference in a residential area.

However, your equipment might cause TV or radio interference even when it is operating properly. To eliminate interference you can try one or more of the following corrective measures:

- Reorient or relocate the receiving antenna.
- Increase the distance between the equipment and the radio or TV.
- Use outlets on different electrical circuits for the equipment and the radio or TV.

Consult your dealer or an experienced radio/television technician if the problem still exists.

Modifying or tampering with your system's internal components can cause a malfunction and might invalidate the system's warranty and void your FCC authorization to operate it.

# Getting Started

Thank you for purchasing the iHome iH31H portable Stereo System for your iPod. Designed specifically to work with your iPod, this system provides high quality audio and radio performance that invites your music to come out and play.

Please read this instruction carefully before the appliance is operated and keep it for future reference.

## Protective Dock Cover

Your iH31H comes with a removable clear protective cover at the front of the iPod dock. This should be removed before placing inserts/docking your iPod and to access manual control of your iPod. To remove protective cover, slide upwards when docking door is open.

## Install iPod Insert

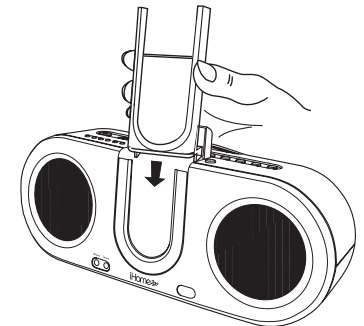
Your iH31H comes with 3 removable inserts and a rubber pad to ensure your iPod fits properly in the iPod drawer. Please see below table to insert/replace rubber pad to fit your iPod.

| Shuffle  | Mini Insert        | Thin iPod Insert                     | Thick iPod<br>(no Insert needed)  | Nano Insert     | 5G iPod<br>iPod with video                                   |
|--|--------------------|--------------------------------------|-----------------------------------|-----------------|--|
| Dock into the Shuffle connector located in the top of the unit | Use with iPod Mini | iPod 4G 20 GB<br>iPod Photo 20/30 GB | iPod 4G 40 GB<br>iPod Photo 60 GB | iPod Nano 2/4GB | Replace rubber pad per instruction on the 5G rubber pad card |

To place an insert:

1. Select the insert for your iPod (see chart above).  
Using the correct insert/rubber pad ensures the proper fit to your iPod.
2. Press **9** Docking Door Open Button and put the insert gently into docking bay.
3. Please note that iPod must not be in a case or "skin".

**Note:** This device will not control or charge the 3G iPod.





# Install Power

## Connect AC Adaptor

Connect the AC adaptor cable plug into the jack on the back of the system, then plug the AC adaptor into the wall outlet. When connected to the AC adaptor, the iH31H charges your iPod/iPod Shuffle and allows you to play it and the radio.

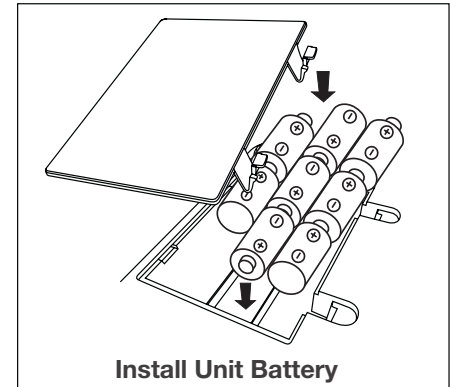
Note: The iPod/iPod Shuffle does NOT charge when the iH31H is operating on batteries. This AC adaptor is for use with the iH31H only. To avoid damage, do not use another kind of adaptor with the iH31H.

## Install/Replace Batteries

1. Open the battery compartment cover located on the bottom of the unit.
2. Insert 8 “C” batteries, checking that the + and – ends of the batteries match the drawing inside the battery compartment. We recommend the use of alkaline batteries for longer life. Different types of batteries or new and used batteries are not to be mixed.
3. Close the compartment cover.

## Batteries information:

- Do not mix old and new batteries.
- Do not mix alkaline, standard (carbon-zinc) or rechargeable batteries.
- Make sure you dispose of batteries properly (see your local regulations).



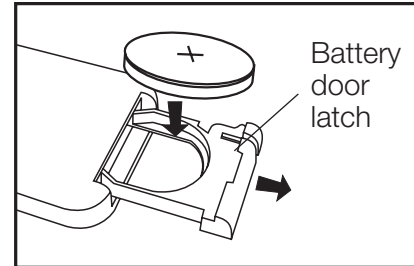
# Install Power

---

## Install/Replace the Remote Control Battery

The remote control battery is installed at the factory. When the remote control stops operating or its range seems reduced, it is time to replace the battery with a new one.

1. Open the battery compartment cover located on the bottom of the remote control unit.
2. Insert a CR2032 battery, checking the + and – ends of the battery matches the drawing inside the battery compartment.
3. Close the compartment cover.



## To check for iPod compatibility

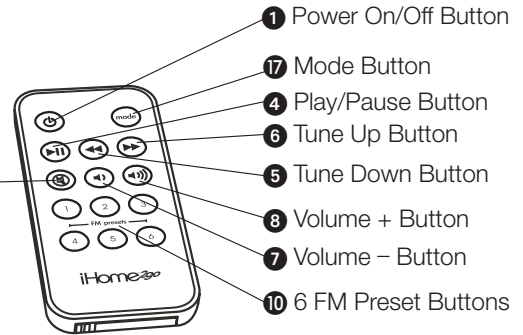
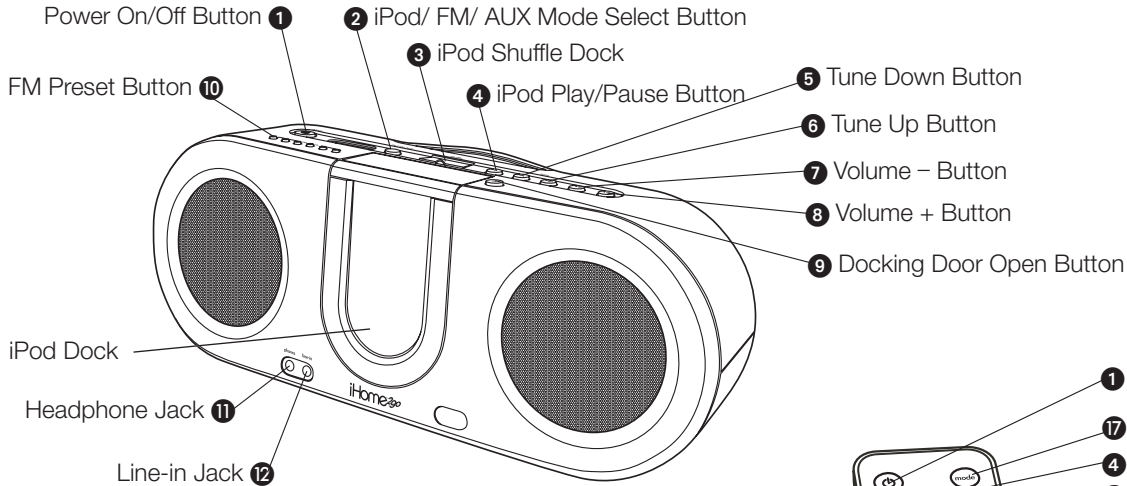
iH31H is an advanced system and supports most updated iPod features. To make sure your iPod works properly with the iH31H, please update your iPod firmware with the latest one. Please check the Apple website for the same (<http://www.apple.com/ipod/download>).

# Maintenance

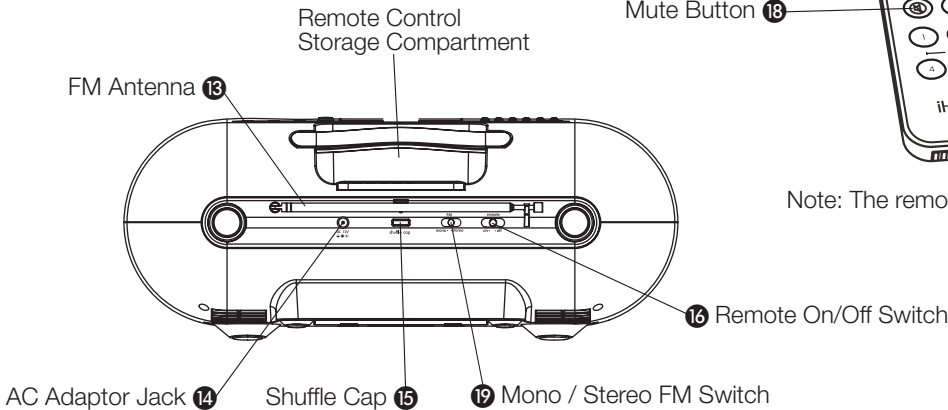
---

- Place the unit away from sources of direct sunlight or excessive heat.
- Protect your furniture when placing your unit on a natural wood and lacquered finish.
- Clean your unit with a soft cloth moistened only with mild soap and water. Stronger cleaning agents, such as Benzine, paint thinner or similar materials can mar the surface of the case.

# Controls and Indicators



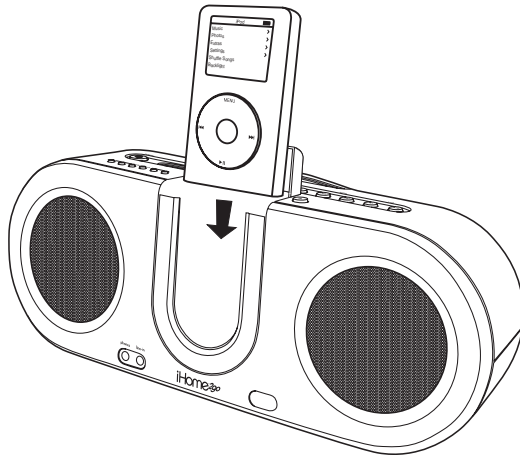
Note: The remote control will not control iPod shuffle



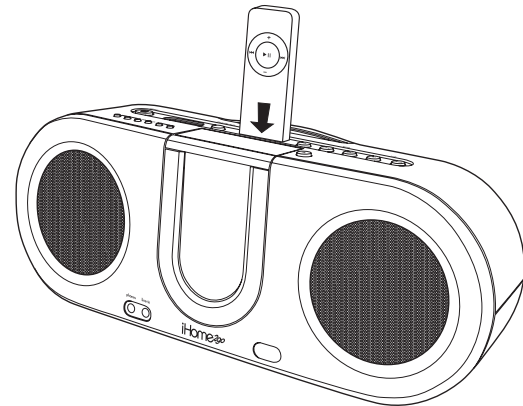
# Charging your iPod/iPod Shuffle

Note: Please make sure you are using the correct insert for your iPod (see Install iPod Insert on page 6) and that it is properly docked into the iH31H. Failure to do so may damage your iPod.

1. Your iPod/iPod Shuffle recharges (until fully charged) while it is docked in the system and the iH31H is connected to an outlet with the included AC power adaptor. **Your iPod/iPod Shuffle will NOT charge when the unit is running on battery power.** The iH31H does NOT control or charge 3G iPod models.



**Install iPod**



**Install iPod Shuffle**

# Listening to iPod/iPod Shuffle

---

1. Dock the already playing iPod. The iH31H will automatically turn on and you will hear the music playing from your iPod.  
**Note:** If the song/music loudness playing on the iPod itself is too low, iH31H may not detect the iPod is in play mode. Press the **4 iPod Play/Pause Button** on the iH31H or the remote control twice to play it.
2. When the iPod is docked and in standby mode, press the **4 iPod Play/Pause Button** on the iH31H or the remote control to play it. The iPod Icon will appear at the right lower corner of the display.
3. Press the **4 iPod Play/Pause Button** again to pause play; press again to resume it.
4. Press the **8 Volume+** and **7 Volume- Button** on the iH31H or the remote control to adjust the system volume. Press **18 Mute Button** to mute the output; press the button again to release it.
5. Press the **6 Tune Up** or **5 Tune Down Button** on the iH31H or the remote control to go to the previous or next track. Press and hold while a track is playing for high speed forward or reverse music search of the current track.
6. To turn off the unit, press the **1 Power On/Off Button** on the iH31H or the remote control to turn it off. Your iPod will continue charging while in the dock (when using the AC adaptor).

**Note:** The iH31H cannot control Shuffle functions. For iPod Shuffle operation, you need to switch iPod Shuffle on or off, and play or pause it, etc., manually.

**Note:** If you are using an iPod Shuffle, for best audio performance, adjust Shuffle volume to eliminate sound distortion.

**Note:** The iH31H dock will not charge the 3G ipod.

**Note:** The remote control will not control iPod shuffle.

**Note:** When running the iH31H on batteries, if the iPod is not used for 14 hrs / 36 hrs (depending on iPod model ), it may enter “deep sleep” mode and not respond to iH30H control. To wake up your iPod, press and hold the Menu button on your iPod until the Apple logo appears.

## Listening to Non-docking iPod or other portable audio devices

---

If you are using an iPod without a docking port or other MP3 player or other portable audio device, you can still play it through the iH31H via the Line-in Jack.

1. Plug one end of the audio patch cord (included) into the headphone or line-out jack on your device and the other end of the patch cord into the iH31H **12 Line-in Jack**, located on the front of the unit.
2. Press **1 Power On/Off Button** on main unit or remote to turn iH31H on.
3. Press the **17 Mode Button** until you can see “AU” showing on the display, indicating AUX playing mode.
4. Press the **8 Volume+** and **7 Volume- Button** on main unit or remote control to adjust the system volume. You may need to adjust your device volume too.
5. To turn off the unit, press the **1 Power On/Off Button** on main unit or remote control to turn it off. Please remember to turn off your device, too.

## Listening to FM Radio

---

Note: Extend FM rod antenna fully for best reception. In some areas, it may be difficult to get stereo sound without interference. If this proves a problem, set the **19 Mono/Stereo FM** switch on the back of the unit to Mono.

1. Press the **1 Power On/Off Button** on the iH31H or remote to turn unit on.
2. Press the **17 Mode Button** on the iH31H or remote control until you can see a radio frequency showing on the display.
3. Use **6 Tune Up** or **5 Tune Down Button** to tune in to the desired station.
4. Press and hold the **6 Tune Up** or **5 Tune Down Button** for approx. 2 seconds, it will start to auto seek available stations and will stop when a clear one is found.
5. Press the **8 Volume+** and **7 Volume- Button** on the iH31H or remote control to adjust the iH31H volume. Press the **18 Mute Button** to mute the output; press the button again to release it.
6. To turn off the unit, press the **1 Power On/Off Button** on the iH31H or the remote control to turn it off.

# Presetting Your Favorite FM Station

---

You can preset 6 FM stations (the unit does not receive AM radio).

## Presetting a Station

1. Following step 1 to 5 in Listening to Radio and manually tune into the station you wish to preset.
2. Hold down one of the six **10 Preset Buttons** you wish to preset for approx. 2 seconds. You will hear 2 beep tones to confirm the station is stored.
3. To preset another station, repeat above steps. To change the preset station, tune into the desired station and hold down the **10 Preset Button**. The new station will replace the previous station.

## Tuning into a Preset Station

1. Turn on the unit and press the **17 Mode Button** on the iH31H or the remote control to turn on the radio.
2. Press the desired **10 Preset Button**. The corresponding station will show on the display.
3. Press the **8 Volume+** and **7 Volume-** Button on the iH31H or the remote control to adjust the system volume.
4. To turn off the unit, press the **1 Power On/Off Button** on main unit or remote control to turn it off.

## Operating the Remote On/Off Switch

To save battery power, switch off the **16 Remote On/Off Switch** for longer battery life. The switch will not function while using the AC adaptor.

## Headphone Jack Operation

Connect a headphone (not included) to the **11 Headphone Jack** in the front of the unit for private listening. The built-in speakers are shut off when the headphone is connected.

# Trouble Shooting

| Symptom                           | Possible Problem   | Solution  |
|-----------------------------------|--|---|
| Unit doesn't respond (no power)   | AC adaptor isn't plugged to a wall outlet or the connector is not plugged into the power supply jack on the back of the unit | Plug the AC adaptor into a wall outlet and plug the connector into the power supply jack on the unit  |
|                                   | Wall outlet is not functioning   | Plug another device into the same outlet to confirm the outlet is working   |
| iPod cannot dock properly         | Using no or wrong iPod insert  | Make sure the dock insert is the proper fit for your iPod   |
|                                   | iPod is not installed properly   | Remove your iPod from the dock and check for any obstruction on the connectors in the dock and on your iPod. Then reseal it in the dock.      |
| iPod does not respond to the unit | iPod is not installed properly   | Remove your iPod from the dock and check for any obstruction on the connectors in the dock and on your iPod. Then reseal it in the dock.      |
|                                   | Your iPod software is too old  | Upgrade software on your iPod. For details, visit <a href="http://www.apple.com/ipod/download">http://www.apple.com/ipod/download</a>         |
|                                   | iPod is locked up  | Please make sure your iPod is working properly before docking it to the unit. Please refer to your iPod manual for details on iPod operation. |
|                                   | Using 1 <sup>st</sup> or 2nd generation iPod, iPod Shuffle or other device   | iH31H cannot control those iPods or other devices.  |



# Trouble Shooting

| Symptom                    | Possible Problem                                   | Solution   |
|----------------------------|--|--|
| iPod didn't charge up      | iPod is not installed properly                     | Remove your iPod from the dock and check for obstruction on the connectors in the dock and on your iPod. Then reseat it in the dock.   |
|                            | iPod is locked up/frozen                           | Please make sure your iPod is working properly before docking it in the unit. Please refer to your iPod manual for detail.   |
|                            | iPod battery has problem                           |  |
|                            | Charging 3G iPod                                   | 3G iPod is not supported   |
| Sound is distorted         | Volume level is set too high                       | Decrease the unit and/or iPod Shuffle volume   |
|                            | Sound source is distorted                          | If iPod original sound source is poor quality, distortion and noise are easily noticed with high-power speakers.<br>Try a different audio source such as a music CD.         |
|                            |  | If you are using an iPod Shuffle or external sound source like older generation iPod, try reducing the output volume on the device itself. Also, try turning bass boost OFF. |
| Remote Control didn't work | Battery weak                                       | Replace with new battery   |
|                            | Remote Control is not pointed toward the IR sensor | Point the Remote Control toward the IR sensor, within 10 feet of the unit.   |
|                            | Remote On/Off Switch is activated                  | Move Remote switch to ON position  |

# Solucionando problemas

| Síntoma  | Causa   | Solución  |
|--|---|---|
| La unidad no funciona (no circula corriente eléctrica) | El adaptador de AC no está conectado al tomacorriente o el conector no está conectado a la ficha en la parte posterior de la unidad | Conecte el adaptador de AC al tomacorriente y también conecte el conector a la ficha en la parte posterior de la unidad                     |
|  | El tomacorriente no funciona  | Coloque otro aparato en ese mismo tomacorriente para confirmar si el que no funciona es el tomacorriente                                    |
| El iPod no encastra correctamente                      | No ha colocado el encastre del iPod, o está utilizando el encastre incorrecto.  | Verifique que el encastre sea el apropiado para su iPod   |
|  | El iPod no encastra correctamente   | Quite el iPod del encastre y retire la posible obstrucción del encastre o de su iPod. Vuelva a colocar el iPod dentro del encastre.         |
| El iPod no se comunica con la unidad                   | El iPod no está instalado correctamente   | Quite el iPod del encastre y verifique posibles obstrucciones del encastre o de su iPod. Vuelva a colocar el iPod dentro del encastre.      |
|  | Su software es obsoleto   | Renueve su software. Para mayor información, diríjase a <a href="http://www.apple.com/ipod/download">http://www.apple.com/ipod/download</a> |
|  | El iPod no responde   | Verifique que su iPod funcione correctamente antes de conectarlo a la unidad. Refiérase al manual de su iPod para más detalles.             |
|  | Usted tiene un iPod de primera o segunda generación, un Shuffle u otro tipo de aparato  | El iH31H no puede controlar estos otros aparatos  |

# Solucionando problemas

| Síntoma                       | Causa  | Solución  |
|-------------------------------|--|---|
| El iPod no carga              | El iPod no está instalado correctamente              | Quite el iPod del encastre y retire la posible obstrucción del encastre o de su iPod. Vuelva a colocar el iPod dentro del encastre.   |
|                               | El iPod está trabado/no responde                     | Por favor asegúrese de que su iPod funcione correctamente antes de colocarlo en el encastre. Refiérase al manual de su iPod para mayor información.   |
|                               | La batería del iPod podría tener algún inconveniente |   |
| El sonido sale distorsionado  | El volumen se encuentra muy alto                     | Baje el volumen   |
|                               | El sonido sale distorsionado de la unidad            | Si el sonido original de su iPod era de pobre calidad, las distorsiones y ruidos se harán más notables con los parlantes de alta potencia. Pruebe utilizar otra fuente de audio como un CD. |
|                               |  | Si está utilizando un iPod de primeras generaciones o un Shuffle, intente bajar el volumen de su aparato. También intente apagar el amplificador de bajos                                   |
| El control remoto no funciona | Las baterías están gastadas                          | Reemplace las baterías por nuevas   |
|                               | No está apuntando el control remoto hacia el iH31H   | Apunte el control remoto hacia el iH31H y manténgase a una distancia máxima de 10 pies de la unidad.  |
|                               | El selector On/Off remoto está activado              | Mueva el selector remoto a la posición ON   |

## Free Manuals Download Website

<http://myh66.com>

<http://usermanuals.us>

<http://www.somanuals.com>

<http://www.4manuals.cc>

<http://www.manual-lib.com>

<http://www.404manual.com>

<http://www.luxmanual.com>

<http://aubethermostatmanual.com>

Golf course search by state

<http://golfingnear.com>

Email search by domain

<http://emailbydomain.com>

Auto manuals search

<http://auto.somanuals.com>

TV manuals search

<http://tv.somanuals.com>