

english

eng

español

es

français

fr







# content

introduction .....	4
1. basic steps .....	8
2. assembling the bassinet .....	18
3. assembling the seat .....	20
4. various uses of bassinet and seat .....	22
5. using the seat's safety belts .....	24
6. fitting the underseat bag .....	26
7. going outdoors with the bugaboo gecko .....	27
8. protection against weather and wind .....	30
9. travelling and storage .....	35
10. maintenance and accessories .....	37
11. accessories .....	38
LIMITED WARRANTY .....	39

## introduction

Congratulations on the purchase of your patented Bugaboo\* Gecko. The Bugaboo Gecko is renowned for its versatility and safety (bassinet, push-chair and buggy comply with ASTM Standards F833-05). You and your child will be surprised by the Bugaboo Gecko's possibilities. We wish you a great deal of pleasure with your Bugaboo Gecko. Please remember to complete and return the warranty card, so that you can be certain of receiving the best and most complete service from Bugaboo.

### before you start

- Read the user guide carefully before you use the product and keep the guide for future reference. Your child's safety may be in danger if you do not review all warnings and follow use and assembly instructions carefully.
- Additional instructions and warnings are affixed to the Bugaboo Gecko and should be reviewed independently prior to use.
- This user guide is for the Bugaboo Gecko, item code number 61100.
- You will find a sticker with the model number and serial number on the inside of the handlebar. Write this down for reference and warranty registration.
- Check what you have received

Check the contents of the box against the list below. If anything is missing, please contact your supplier.

### the box with the bugaboo gecko comprises the following parts:

- 1 chassis with handlebar, parking brake and wrist strap
- 2 swivel wheels
- 2 big wheels (with pneumatic tires)
- 1 frame (base for seat and bassinet)
- 1 underseat bag
- 1 bassinet fabric with base plate and plastic fillets
- 1 mattress
- 1 seat fabric with safety belts
- 1 apron
- 1 sun canopy (2 canopy wires, 2 canopy clamps and canopy fabric)
- 1 rain cover
- 1 mosquito net
- 1 user guide
- 1 Bugaboo demonstration DVD
- 1 warranty card

## ⚠️ WARNINGS

- Failure to follow these warnings and instructions could result in serious injury or death.
- Keep plastic bags and other packing materials that may pose a suffocation hazard away from children and safely discard as soon as possible.
- Do not use the Bugaboo Gecko if any part or component appears to be broken, damaged or missing. Discontinue use of the Bugaboo Gecko in case of malfunction.
- Be certain that all components (e.g. chassis, frame, seat/bassinet attachment devices) are correctly engaged before you allow a child near the Bugaboo Gecko (see assembly instructions). Failure to attach properly could result in serious injury or death to your child.
- Audible 'click' must be heard in order to determine that each lock is in proper position. To ensure proper locking engagement, check to see that the seat/carry handle cannot be disengaged from the stroller without unlocking the device.
- Care must be taken when folding and unfolding the product to prevent finger entrapment.
- NEVER use the Bugaboo Gecko as a means to transport an infant in a motor vehicle. Transport your child by car in an approved car seat. Approved car seats can be used in conjunction with the Bugaboo Gecko chassis using Bugaboo adaptors (see accessories).
- Do not carry more than one infant in the Bugaboo Gecko.
- The Bugaboo Gecko is not intended for infants in excess of 17 kg/40 lbs.
- The bassinet is not recommended for infants in excess of 9 kg/19.8 lbs in weight or 71cm/28 inches in length.
- Only use the bassinet on level surfaces and only in the horizontal position to avoid ejection of the child from the bassinet.
- NEVER place seat or bassinet on beds, sofa or other soft surfaces as they may roll over when the child shifts weight causing a potential suffocation hazard.
- NEVER place seat or bassinet near edges of counter tops, tables, and other elevated surfaces. Child's movement can cause devices to slide off such surfaces.
- NEVER use the bassinet as a "car bed".
- Do not use a mattress in the bassinet with a thickness in excess of 30 mm/1.2 inches.
- The seat is not recommended for children under 6 months of age, or for any child unable to maintain an unaided sitting position.
- Make seat adjustments before the child is seated. Adjustments made while the child is seated may result in the child falling.
- Always use the safety features of your Bugaboo Gecko, including locking devices, brakes, the 5-point harness (when child is seated), hook and loop fasteners, and the wrist strap attached to the handle bar (see instructions for additional information). Check and maintain all safety features frequently.
- NEVER leave your child in the Bugaboo Gecko when harness straps are undone. Your child could strangle in loose straps.
- Do not apply parking brake while the Bugaboo Gecko is moving.
- Never leave your child unattended. Always keep child in view while in the Bugaboo Gecko.

## ⚠ WARNINGS

- Never attach purses, shopping bags, diaper bags or other packages or similar items to the handle bar as they may change the balance of the Bugaboo Gecko and cause a hazardous condition.
- Excessive weight may cause a hazardous unstable condition to exist.
- If package carrying items are added onto the product, unstable hazardous conditions may exist.
- The product will become unstable if the manufacturer's recommended load is exceeded.
- The Bugaboo Gecko should be used at walking speed and should never be used while jogging, skating or running.
- Take your child out of the Bugaboo Gecko when going up or down stairs, escalators or around steep or unstable conditions. Also, use extreme care when going up or down a curb or other uneven surface.
- Do not stand on the axles between the wheels. This is unsafe and could damage the Bugaboo Gecko.
- Do not inflate tires to more than 1 bar (15 PSI).
- Do not allow the Bugaboo Gecko to be used as a toy.
- Do not use the Bugaboo Gecko near open flames and other sources of heat.
- Avoid exposing the Bugaboo Gecko to extreme temperatures.
- Only use authentic Bugaboo replacement parts and accessories or accessories approved by Bugaboo for use with the Bugaboo Gecko.
- The Bugaboo Gecko frame (no. 61100) should only be used with the Bugaboo Gecko chassis (no. 61101). Do not use Bugaboo Gecko parts or components with any non-approved stroller or other device or with any other Bugaboo product.
- Additional warnings and safety information appear in the assembly, use and accessory sections of this Guide as well as on the Bugaboo Gecko itself and should be reviewed independently.
- To reduce the risk of SIDS; Pediatricians recommend healthy infants be placed on their backs to sleep, unless other wise advised by Physician on Product.



## assembly and use

The Bugaboo Gecko is easy to assemble and prepare for use. It is advisable to repeat actions a couple of times when indicated. This section explains how to assemble the Bugaboo Gecko. The subjects are the chassis, swivel wheels, big wheels with pneumatic tires, unfolding the chassis, parking brake, adjusting the handlebar, frame and carry handle. Each basic step in the Bugaboo Gecko's assembly is explained separately in the text boxes. It is advisable to practice the basic steps. All parts fit together properly, so no force is necessary. If you find a step difficult, reread the instructions and try again to execute that step. Do not proceed until you have executed each step properly and completely.

## important

Always assemble the Bugaboo Gecko:

- without the child in the seat or bassinet (unless indicated otherwise);
- with the parking brake on (unless indicated otherwise).

# 1. basic steps

## chassis

The chassis is the main component of the Bugaboo Gecko. The Bugaboo Gecko frame clicks into the chassis and becomes the base for the bassinet and seat.

The parts are attached to the chassis. The chassis is comprised of the following components:

- axle for the big wheels;
- axle for the swivel wheels with holder;
- handlebar with frame bearers, parking brake and wrist strap.

You also need the following for the assembly:

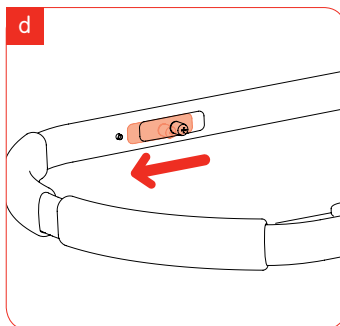
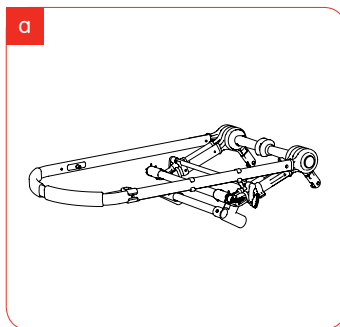
- 2 swivel wheels;
- 2 big wheels with pneumatic tires.

Frame completes the chassis for further assembly.

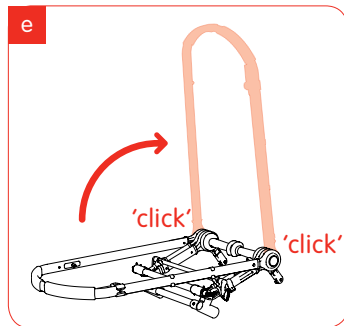
## step 1 folding out the chassis and handlebar

- Place the chassis with the 4 points on the floor.
- Stand with the handlebar in front of you.
- Hold the handlebar lightly in your hands. Do not push.

- Pull the 2 white buttons on the inside of the handlebar towards you.



- e Move the handlebar upwards and away from you and let go of the white buttons. You hear a 'click' when the handlebar is upright.

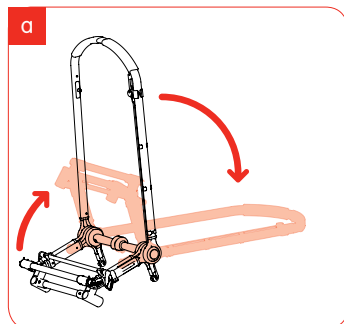


## swivel wheels

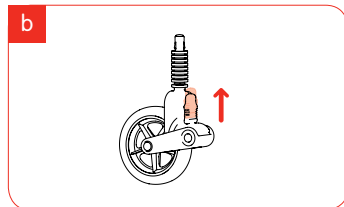
The swivel wheels provide optimum maneuverability.

### step 2 placing the swivel wheels in the holders

- a Without releasing it, move the handlebar to the floor. The wheel axles are now facing upwards. This enables you to fit the wheels without having to bend down far.

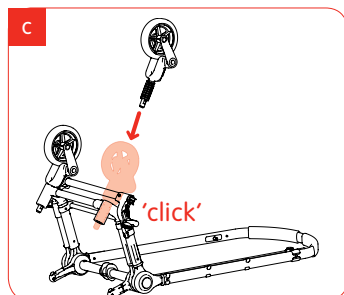


- b Move the white sliding buttons upwards. These are the swivel wheel locks.



- c Stand with wheel axles in front of you. With the wheel facing upward and the swivel lock facing away from you, push the swivel wheel into the holder.

- d. You will hear a 'click' for each wheel.  
The swivel wheels are now attached.

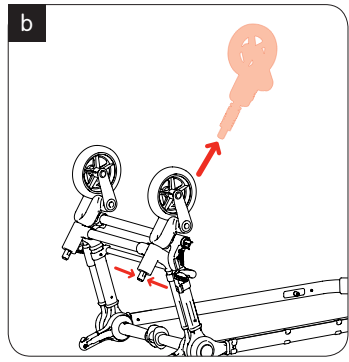


**Important** Do not fit the swivel wheels on the wrong side of the holder.

## other functions

### removing the swivel wheels from the holders

- a. The swivel wheel has a round button, which protrudes through the holder. The button has 2 sprung lips.
- b** Push on the 2 lips and remove the swivel wheel from the holder.
- c. Do the same on the other side.



### swivel wheels unlocked

- a. Push down the swivel locks.
- b. The swivel wheels are unlocked.
- c. The Bugaboo Gecko's maneuverability is highest with this setting.

### swivel wheels locked

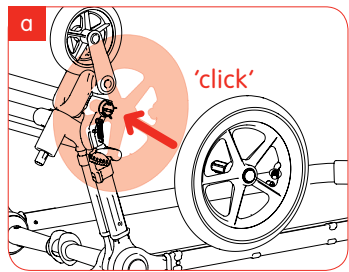
- a. Push up the swivel locks.
- b. The swivel wheels are locked.
- c. The Bugaboo Gecko now moves in a straight line.

## big wheels with pneumatic tires

The tires of the 2 big wheels are inflated to the correct pressure (1 bar/15 PSI) at the time of delivery.

### step 3 fitting the big wheels to the axle

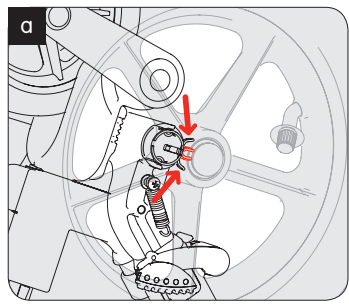
- a** Push the big wheels into the wheel holders at the ends of the long axle.
- b. You will hear a 'click' for each wheel. The wheels are now attached.



## other functions

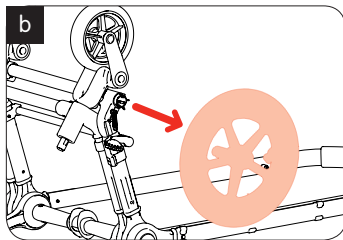
### removing the big wheels from the axle

- a** Squeeze the wire clamp together that is located on the inside of a big wheel.



- b Remove the wheel from the axle; repeat on the other side.

**Important** The big wheels cannot be removed from the axle if the Bugaboo Gecko's parking brake is on.



### inflating the tires

- Unscrew the valve's black valve cap.
- Use an ordinary bicycle pump to inflate the pneumatic tires.

## ⚠ WARNINGS

- Do not inflate to more than 1 bar (15 PSI).

### deflating the tires

- Press the inside of the big wheel's valve. This releases air.

**Important** Do not leave the valve caps lying around. Prevent children from putting them in their mouths.

**Important** The pneumatic tires provide maximum suspension when inflated to the correct pressure. When inflated to the correct pressure you can easily depress the tire with your finger.

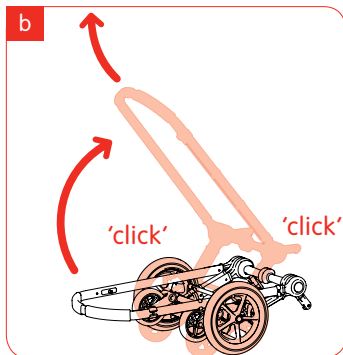
## unfolding the chassis

Move the handlebar up to unfold the chassis. The big wheels are on the ground. Release the handlebar and click it in position between the big wheels. The chassis is now folded up.

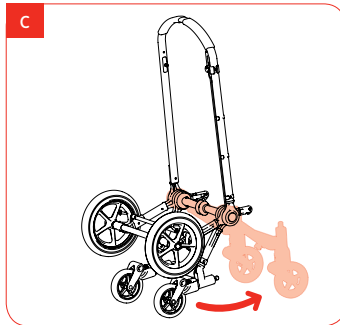
### step 4 unfolding the chassis

- Stand with the handlebar and big wheels in front of you.

- Pull the two white release knobs towards you and lift. Release the knobs and raise the handlebar until it 'clicks' into the fastened position.



- c Push your foot against the axle of the swivel wheels.
- d. The swivel wheels are released. The chassis is now standing on 4 wheels.



## ⚠ WARNINGS

- Care must be taken when folding and unfolding the chassis to prevent finger entrapment.

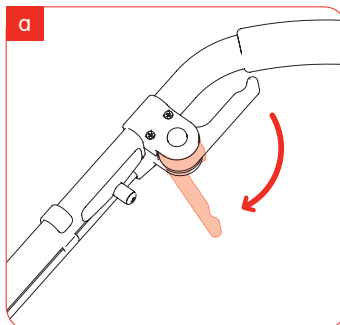
### parking brake

The parking brake is on the handlebar. It prevents the big wheels from turning. Always apply the Bugaboo Gecko's parking brake when the stroller is stationary so it cannot roll away. When the handlebar is above the big wheels, the parking brake is on the right on the handlebar, with the release button on the upper side.

### step 5 applying the parking brake

- a Push the parking brake's handle away from you and downwards.
- b. When the handle will not move any further, the Bugaboo Gecko's parking brake is on.

**Important** You will be able to feel when the parking brake is working properly. Do not force the parking brake.



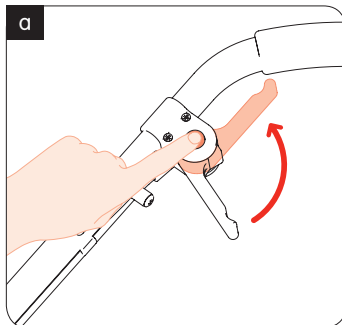
## other functions

### releasing the parking brake

- a. Grip the handle tightly with one hand. Press the white, round button on the handle with the other hand and move the handle towards the handlebar.
- b. The parking brake is now off.

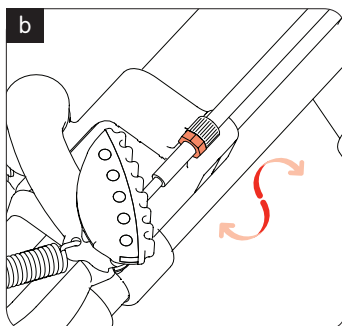
**Note** If you press the white, round button on the handle without holding the handle tightly, the parking brake will be released suddenly. To avoid injury, do not place your fingers between the handle and the handlebar.

**Note** Release the Bugaboo Gecko's parking brake before removing the big wheels from the axle.



### adjusting the parking brake

- a. Place the handlebar above the big wheels.
- b. Screw the brake cable adjuster upwards. The brake cable is on the thin axle, next to the wheel on the right. This reduces the braking force.
- c. Screw the brake cable adjuster down to increase the braking force.



## ⚠ WARNINGS

- Only apply the parking brake when the stroller is stationary. The brake lever must be in its lowest position to lock.  
On product says: Brake is parking brake only. To be used only when completely stopped. Brake must be in furthest downward position to be locked.

## frame

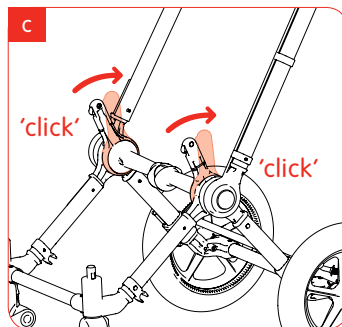
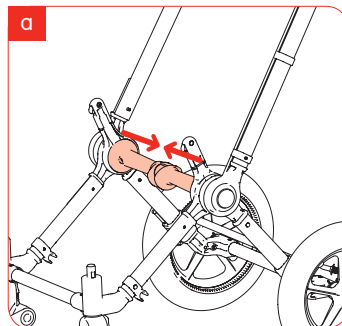
When the frame is fastened to the chassis; the chassis is then secured. The bassinet or seat fabric is fastened to the frame. The frame has 2 frame supports, which 'click' onto the 2 frame bearers. The round side of the frame is always the head end of the bassinet or seat.

### step 6 fitting the frame on the chassis

a Squeeze together the squeeze-fastener on the center shaft. This releases the frame bearers.

b. Place the frame bearers in the upright position.

c Let go of the squeeze-fastener. You will hear a 'click.' The frame bearers are now locked.



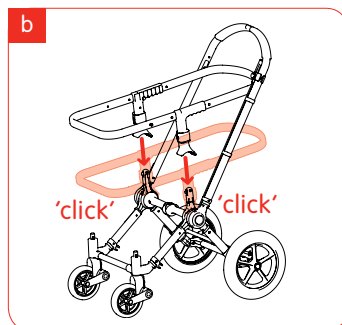
## ⚠ WARNINGS

- Check that the frame is attached to the chassis. Pick up the frame. If the frame releases one or both sides of the chassis, press the frame onto the chassis again until you hear a 'click' on both sides.



## step 7 fitting the frame on the chassis

- a. Fit the frame supports on the frame bearers.
- b** Press the frame downwards until you hear a 'click' on both sides. The frame is now attached to the chassis.



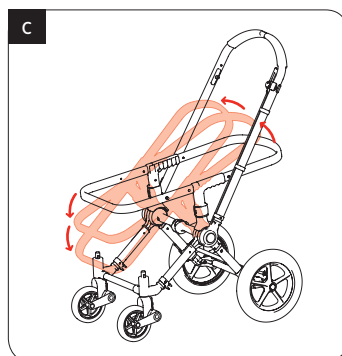
## ⚠ WARNINGS

- To check whether the frame is attached to the chassis, pick up the frame. If the frame releases one or both sides of the chassis, press the frame onto the chassis again until you hear a 'click' on both sides.

## other functions

### placing the frame in different positions

- a. Place the frame on the chassis.
- b. Squeeze together the squeeze-fastener on the center shaft.
- c** Tip the frame forward and choose a position.

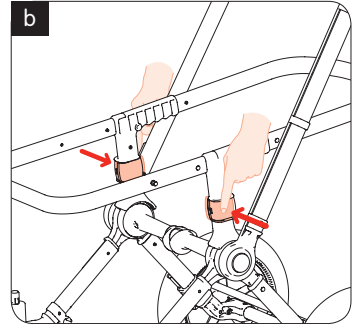


# ⚠ WARNINGS

- Only the seat can be used in 3 positions on the frame. The bassinet can only be used horizontally (See WARNINGS Section).

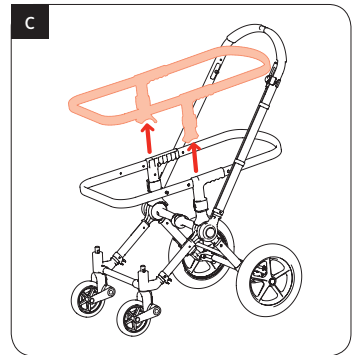
## removing the frame from the chassis

- Place the frame in the horizontal position.
- Simultaneously press the 2 square, white buttons on the frame supports to release the frame.



- Pick up the frame.
- Place the frame on the floor, resting on the frame supports.

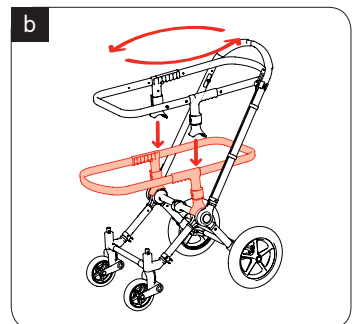
**Important** The 2 square, white buttons are always used to remove the frame, with the bassinet or the seat, before it is placed on the floor.



## turning the frame around

You can turn around the frame to change the seat and bassinet options.

- Remove the frame from the chassis.
- While holding the frame in the horizontal position, turn it around.
- Place it back on the chassis.



## practicing

Now you have assembled the chassis you can:

- fold out the chassis;
- release and move the handlebar;
- fit and remove the swivel wheels;
- activate and de-activate the swiveling action of the swivel wheels;
- fit and remove the big wheels;
- inflate and deflate the tires;
- use the parking brake;
- fit, remove and turn around the frame; and
- place the seat in different positions.

## 2. assembling the bassinet

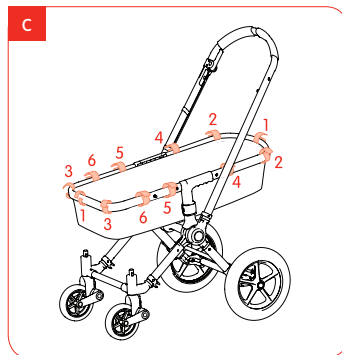
The bassinet consists of the frame, the bassinet fabric, with base plate, mattress and the apron. Hook and loop fasteners ensure that the bassinet hangs securely in the frame.

### step 1 attaching the bassinet fabric to the frame

The round side of the bassinet fabric fits in the round side of the frame.

- a. Fit the frame (horizontally) onto the chassis.
- b. Unfasten the hook and loop fasteners.
- c. Fasten the 12 hook and loop fasteners tight to the frame, in the order 1 to 6.

**Important** Make sure the plastic fillets at the top and bottom stay in their bags



### step 2 fitting the mattress

- a. Place the round side of the mattress on the round side of the bassinet, with the cover opening facing downwards.



### step 3 fitting the apron

The apron protects the child against the cold and is fitted to the foot end of the bassinet.

- a Zip the apron onto the bassinet. First make sure that the runners at the end on the left are next to each other.
- b. If you use the sun canopy, pull the apron's small elastic bands over the hooks of the sun canopy's clamps.



see section 8 on fitting the sun canopy.

You can leave the apron on the bassinet when fitting the sun canopy, rain cover and mosquito net.

### 3. assembling the seat

The seat comprises the seat fabric, which is pulled over the frame. The seat fabric is fitted with back pad supports, foot support and seat pad. The seat has 2 shoulder belts, 2 waist belts, 1 crotch belt and 1 tensioning belt with metal O-rings. When fastened together, the waist belts should stay in place at the height of their attachment.

#### step 1 placing the seat fabric on the frame

a. Place the frame on the floor.

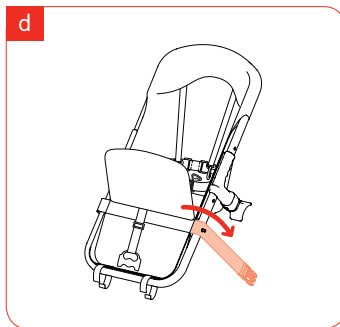
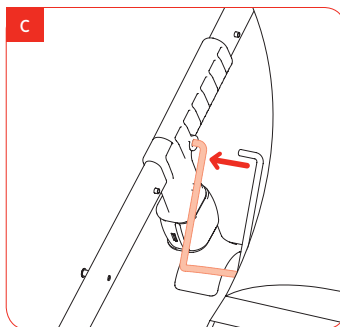
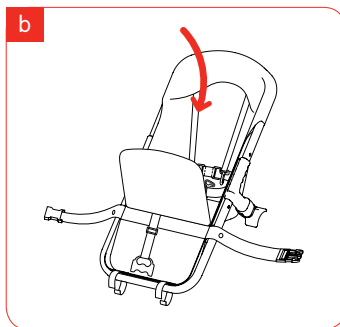
b. Slide the rounded upper side of the seat fabric over the round side of the frame, with the Bugaboo logo facing forward. Pull on the seat fabric so that it fits tightly.

c. Fit the steel seat pad support into the round hole on the inside of the frame. Do the same on the other side.

d. Place one O-ring of the tensioning belt over the protruding pin on the side of the frame.

e. Place the frame on that side to fasten the O-ring on the other side.

f. Lean on the frame and push it inwards a little. Take hold of the tensioning belt and pull the other metal O-ring over the protruding pin.

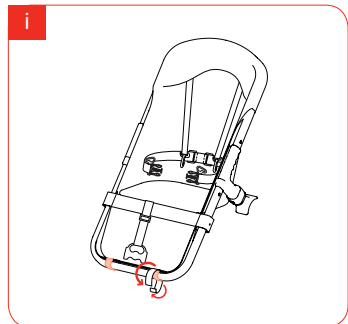
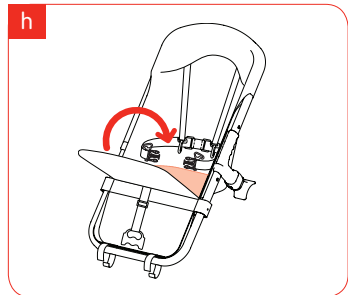
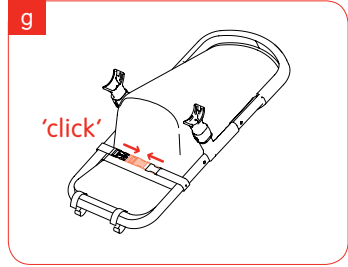


**g** Fasten the two ends of the tensioning belt together underneath the seat area. You should hear a click. Pull the belt until it is tight..

**h** Now give shape to the seat by folding the seat pad inwards.

**i** Attach the 2 hook and loop fasteners at the foot end to the underneath the frame.

**Important** Assemble the seat before fitting it onto the chassis. The seat cannot be placed on the frame before assembly.



## ⚠ WARNINGS

- Ensure that the hook and loop fasteners and tensioning belt are fastened properly.

## 4. various uses of bassinet and seat

You can use the bassinet from the child's birth until the child is aged around 6 months. It is only intended for children who cannot sit or get up onto their hands and knees unaided. Do not use the bassinet for children who are longer than 71 cm / 28 inches or heavier than 9 kg/19.8 lbs. You can use the seat for children older than 6 months if they weigh less than 17 kg/40 lbs. (See WARNINGS Section).

### bassinet

The child is able to lie down completely in the bassinet. This means the child's spine is not under any stress and the child can stretch his/her legs. For use as a pram, only place the bassinet horizontally on the chassis. The bassinet can be turned around easily. This enables you to see into the bassinet and the child can look at you. The bassinet can also be used separately from the chassis, provided it is placed on a horizontal, stable and dry surface.

## ⚠ WARNINGS

- Only use the bassinet on a level, solid surface.
- Only use the bassinet in the horizontal position. In any other position, the child may slide or fall out of the bassinet.
- Ensure that all the hook and loop fasteners are securely fastened before use.
- NEVER use the bassinet as a car bed. Avoid injurious or fatal accidents.
- NEVER use the bassinet fabric when it is not attached to the frame.
- Use a harness as soon as your child can sit unaided.
- Do not use the infant carrier if it is damaged or broken.
- Fall Hazard: Child's movement can slide carrier. NEVER place carrier near edges of counter tops, tables, or other elevated surfaces.
- Infant carriers not intended for use as infant restraint devices in motor vehicles.
- NEVER use this carrier as a means to transport an infant in a motor vehicle.
- Suffocation Hazard: Infant carrier can roll over on soft surfaces and suffocate child. NEVER place carrier on beds, sofas, or other soft surfaces.
- SUFFOCATION HAZARD: Infants can suffocate:
  - in gaps between an extra pad and side of the bassinet/criadle.
  - on soft bedding.
- NEVER add a mattress, pillow, comforter, or padding. Use ONLY the pad provided by the manufacturer. IF a sheet is used with the pad, use only the one provided by the bassinet or cradle manufacturer or one specifically designed to fit the dimension of the bassinet or cradle mattress.
- FALL HAZARD: To help prevent falls, do not use this product when the infant begins to push up on hands and knees or has reached manufacturer's recommended maximum weight, whichever comes first.



## seat

You can set the seat to one of three positions. This is only possible if the seat is on the chassis. The 3 positions are:

1. sitting
2. reclining
3. lying

**Important** The child's posture (angle between the back support and seat pad) should remain the same in the 3 positions.

The seat can be turned around easily. This enables you to see the seat and the child can look at you.

## ⚠ WARNINGS

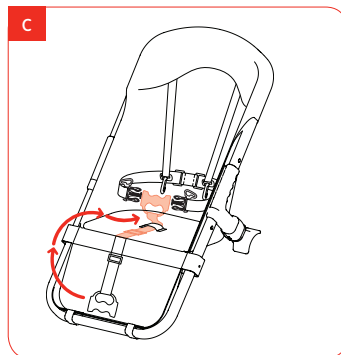
- Do not use the seat as a freestanding seat on the floor.
- Only use the seat when it has been fitted to the chassis standing on a flat, firm surface.

## 5. using the seat safety belts

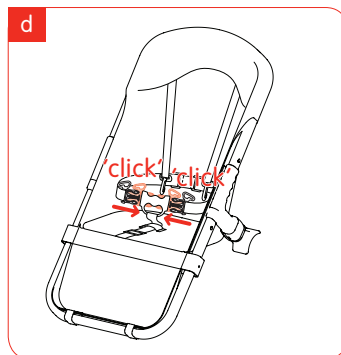
The Bugaboo Gecko seat has a 5-point harness, which is comprised of 2 shoulder belts, 1 crotch belt and 2 waist belts. Use the safety belts when the child is sitting in the seat. Prevent the child from falling out of the seat and being injured.

### step 1 using safety belts

- a. Fit the seat to the chassis (with the brake applied).
- b. Move the seat in the selected position and place the child in the seat.
- c. Pull the crotch belt forwards between the child's legs.

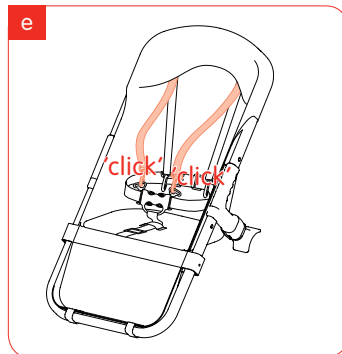


- d. Attach the waist belts over the child's waist to the crotch belt. Tighten the belts to fit the child.



e Attach the shoulder belts over the child's shoulders to the waist belts. Tighten the belts to fit the child's length.

f. You should now have heard a 'click' 4 times. This means the child is sitting securely in the Bugaboo Gecko seat.



The Bugaboo Gecko's bassinet and frame are fitted with extra fastening rings. If required, you can use them to attach an extra harness or extra belts. The fastening rings are attached to the base of the bassinet. The waist belts with extra fastening rings are attached to the frame.

## ⚠ WARNINGS

- Ensure that all the hook and loop fasteners are securely fastened before use.
- Always use the crotch strap in combination with the waist straps.
- Always secure the child in the seat belts. Avoid being caught off guard by the child making unexpected movements.
- The safety belts must be adjusted to fit the child and must be properly secured.
- Avoid serious injury from falling or sliding out. Always use the 5-point harness.

## 6. fitting the underseat bag

The underseat bag hangs under the bassinet or seat.

### step 1 fitting the under seat bag

The under seat bag is fastened between the wheels of the chassis.

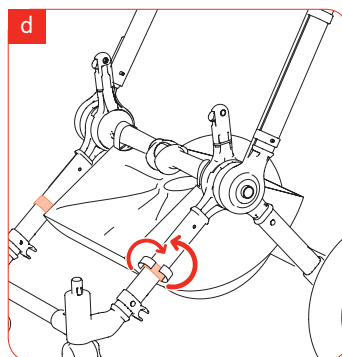
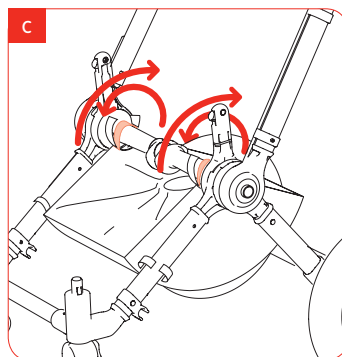
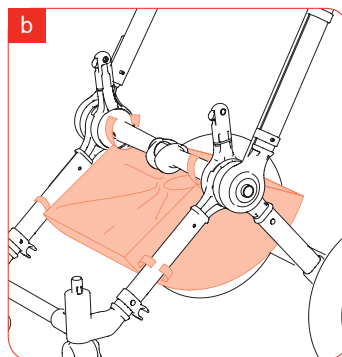
a. Remove the frame from the chassis.

b. Fit the underseat bag to the chassis between the axles of the wheels with the Bugaboo logo facing the big wheels.

c. Attach the 2 hook and loop fasteners to the upper center shaft.

d. Attach the other 2 hook and loop fasteners to the supports of the swivel wheels.

**Important** The under seat bag is made to carry a maximum weight of 4 kg/8.8 lbs. Before use, ensure that all the hook and loop fasteners are properly attached.

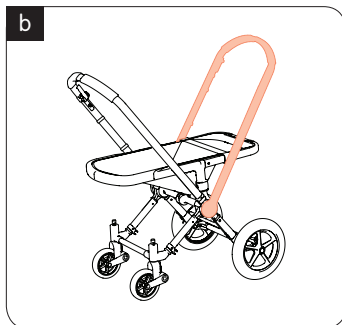


## 7. going outdoors with the bugaboo gecko

The Bugaboo Gecko is designed for use in the city, in rough terrain or in the 2-wheel position.

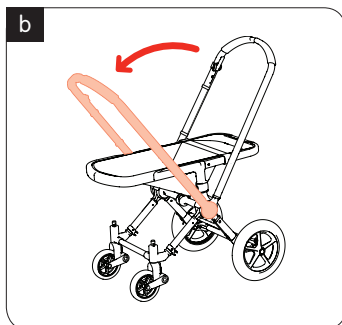
### city position

- a. Use the 4-wheel position.
  - b** Place the handlebar above the big wheels.
  - c. Do not lock the swivel wheels.
- This is the Bugaboo Gecko's most maneuverable setting.



### rough terrain position

- a. Use the 4-wheel position.
  - b** Place the handlebar above the swivel wheels.
  - c. Put the swivel wheels in the locked position.
- With the big wheels in front, you can easily push the stroller over uneven ground.



### 2-wheel position

Use the Bugaboo Gecko in the 2-wheel position and remove the swivel wheels.

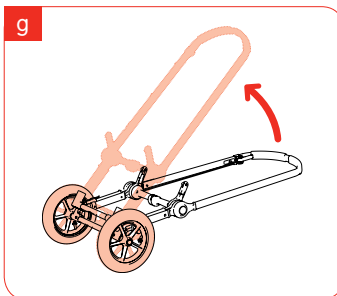
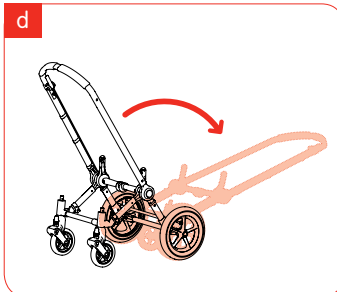
#### step 1 putting the chassis in the 2-wheel position

- a. Place the frame in horizontal position.
- b. Remove the frame from the chassis.
- c. Place the handlebar above the swivel wheels.

- d WITHOUT releasing the handlebar, swivel it to the other side, until it is lying on the floor.
- e. Attach the black clamps to the swivel wheel holder on the thin shaft between the large wheels. You should hear a click.
- f. Remove the swivel wheels. Check that the big wheels are properly attached.

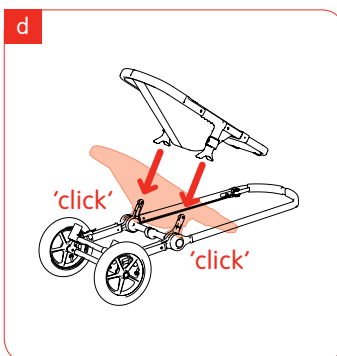
- g Raise the handlebar. The chassis is now in the 2-wheel position.

**Note** You can put the swivel wheels in the underseat bag.

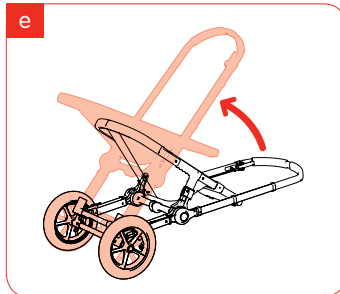


## step 2 fitting the seat

- a. Apply the parking brake.
- b. Lay the chassis on the floor with the frame bearers facing upwards.
- c. Place the seat on the frame bearers, as illustrated.
- d Push until you hear a 'click' on both sides. The seat is now attached to the chassis.



- e** Lift the handlebar up and place the seat in the correct position.
- f. Allow the handlebar to go down. Now place the child in the seat.
- g. Fasten the 5-point harness..



- h** Place the wrist strap on your wrist.
- i. Release the parking brake. The stroller is now ready for use on the beach.



## surface that is difficult to traverse, or snow

Use the Bugaboo Gecko in the 2-wheel position if the ground is rough or covered with snow or covered in loose sand. Choose the 4-wheel position if the ground is hard or compact sand. You will develop your own preferences for this.

## wrist strap

Always use the wrist strap. Ensure that the handlebar does not slip out of your hands.

## ⚠ WARNINGS

- Never release the handlebar in the 2-wheel position. The seat may tip over and the child may fall out and be injured.
- The 2-wheel position provides much less sideways stability than the 4-wheel position. The 2-wheel position is not intended to be used on vertical surfaces or terrain. Use of the 2-wheel position on such surfaces could result in tipping or loss of control.
- Ensure that all the hook and loop fasteners are securely fastened before use.
- Remember that the seat cannot be turned around in the 2-wheel position.
- Never use the 2-wheel position in combination with the bassinet.
- Use the wrist strap in the 4-wheel position as well as the 2-wheel position.
- Remove the swivel wheels when using the stroller on the beach.
- The Bugaboo Gecko is not resistant to saltwater. Do not push it in the sea.

## 8. protection against weather and wind

The standard version of the Bugaboo Gecko comes with a sun canopy, rain cover and mosquito net, so you can protect the child against the sun, wind and rain, as well as insects. The necessary steps to make the Bugaboo Gecko ready for use in good or bad weather are the same for the bassinet and the seat.

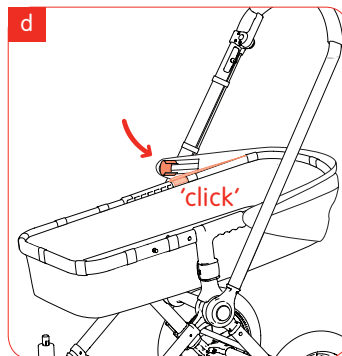
**Important** The sun canopy, the rain cover and the mosquito net can be used in combination with the seat up to a length of 48 cm/18.9 inch of the upper body of the child (measured from the bottom of the child's behind to the top of its head).

### sun canopy

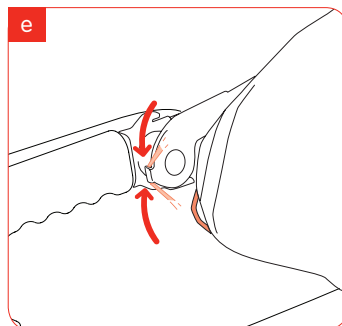
The sun canopy comprises 2 canopy clamps, 2 removable frames and fabric.

#### step 1 fitting the sun canopy

- Fit the bassinet or seat onto the chassis.
  - Fit the sun canopy to the round side of the frame.
  - Pull the sun canopy over the head end of the frame.
- d** Attach the 2 canopy clamps on the frame, right beside the handles. You should hear a click



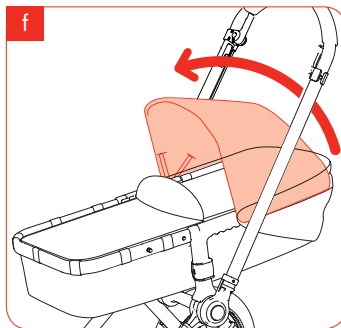
- e** Attach the elastic bands to the front of the canopy clamps.





**f** Pull out the sun canopy.

**Note** You can also use the sun canopy to protect your child from wind.



## ⚠ WARNINGS

- Babies have very sensitive skin. Never put a baby in the Bugaboo Gecko in the sunlight without fitting the sun canopy.

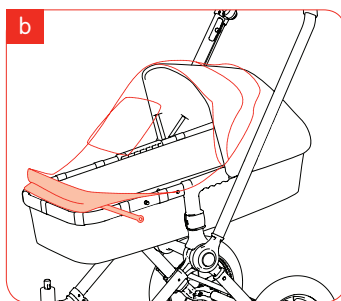
### rain cover

The rain cover is pulled over the sun canopy or over the sun canopy's frame. The black edge of the rain cover is attached to the foot end of the frame.

### step 1 fitting the rain cover over the sun canopy

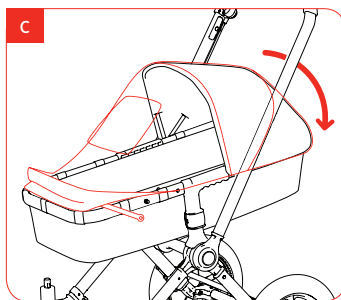
**a.** Fit the sun canopy to the frame and fold it out.

**b** Lay the rain cover with the wide, black edge on the foot end.

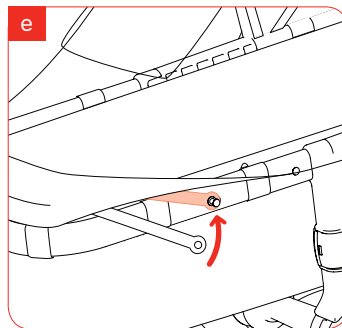


**c** Pull the rain cover over the sun canopy first.

**d.** Ensure that the stitched seams of the rain cover are aligned with the sun canopy's frame.

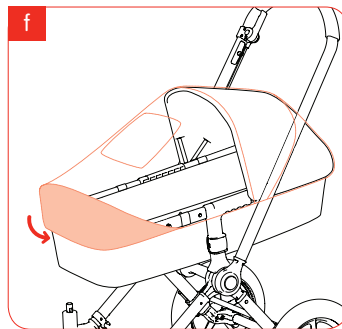


- e** Slide the holes of the rain cover frame over the protruding pins on the side of the frame



- f** Finally, pull the wide, black edge over the foot end of the frame.

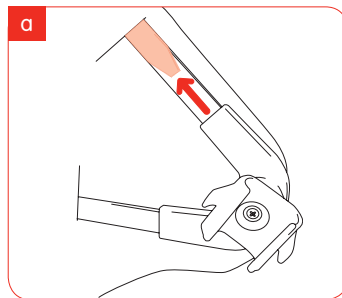
**Important** Ensure that the stitched seams of the rain cover are aligned with the sun canopy's frame.



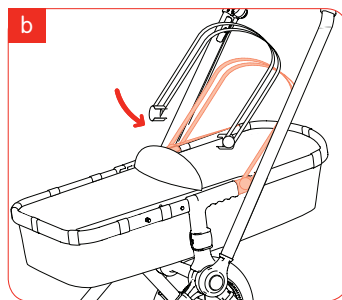
## step 2 fitting the rain cover over the sun canopy's frame

If you remove the fabric from the sun canopy and fit the rain cover over the frame, the child will have a full view of outside the stroller.

- a** Pull the sun canopy apart. Pull the frame out of the canopy clamps and remove fabric.



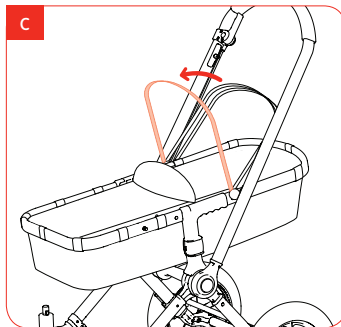
- b** Place the clamps on the frame. Insert the frame back into the canopy clamps.



**c** Pull the frame apart.

- d. Lay the rain cover with the wide, black edge on the foot end.
- e. Pull the rain cover over the sun canopy's frame first.
- f. Ensure that the stitched seams of the rain cover are aligned with the sun canopy's frame.
- g. Slide the holes of the rain cover frame over the protruding pins on the side of the frame.
- h. Finally, pull the wide, black edge over the foot end of the frame.

**Important** Ensure that the stitched seams of the rain cover are aligned with the sun canopy's frame.



## using the air vent in the rain cover

There is an air vent at the front of the rain cover to provide proper ventilation.

- a. Press the window's hook and loop fasteners together properly. The space created between the window and rain cover is the air opening.

## ⚠ WARNINGS

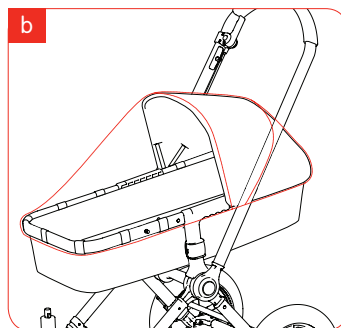
- To prevent the child from overheating, do not leave him/her under the rain cover if it is not raining.
- Ensure proper ventilation by pressing the hook and loop fasteners of the air vent together properly.

## mosquito net

The mosquito net keeps out insects.

### step 1 fitting the mosquito net

- a. Fit the sun canopy, with or without its fabric, to the bassinet or seat.
- b. With the washing instructions at the head end, pull the mosquito net over the sun canopy.
- c. Ensure there is a tight fit between the sides of the net and the bassinet or seat.



## 9. travelling and storage

You can easily store the Bugaboo Gecko, or take it with you in the trunk of your car.

### step 1 collapsing the seat or bassinet

Remove the seat or bassinet from the chassis.

#### collapsing the seat

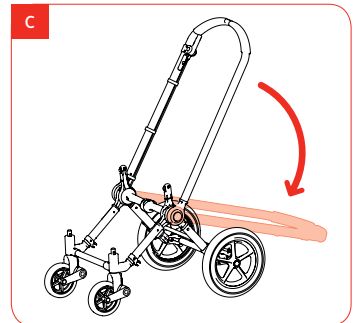
- a. Pull the seat pad from the seat.
- b. Press the seat flat between the frame supports.

#### collapsing the bassinet

- c. Remove the mattress from the bassinet
- d. Remove the 2 plastic fillets at the top and bottom from pockets in the bassinet fabric.

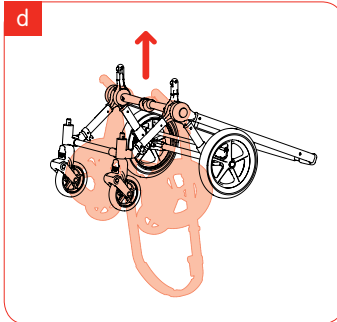
### step 2 folding the chassis and wheels

- a. Put the Bugaboo Gecko chassis in the 4-wheel position.
- b. Place the handlebar above the big wheels.
- c** Pull the two white release knobs towards you and while pulling the handlebar down, place it on the floor.



d Grasp the center shaft on which the frame bearers are located and lift everything up. The chassis with the wheels and handlebar should now fall against each other.

e. The Bugaboo Gecko can now be put in storage or transported by car. You can also store the Bugaboo Gecko without its wheels, or hang the Bugaboo Gecko by the handlebar.



## 10. maintenance

### safety

Check the safety of the Bugaboo Gecko before each use. Ensure that the hook and loop fasteners, the brake and the safety belts are all working properly and that the bassinet or seat is fitted correctly to the chassis. Check whether the Bugaboo Gecko is damaged. You should ensure that any damaged or worn parts are repaired immediately (See WARNINGS section).

### parts

For replacements, use only genuine Bugaboo parts, or use parts that have been approved by Bugaboo North America Inc. To prevent mold, do not fold the Bugaboo Gecko and accessories when wet or store them in a damp place. If the inner tubes of the big wheels are punctured, repair them in the same way that you would repair a bicycle tire puncture.

### cleaning

To clean wheels, remove them from their holders and clean with a moist cloth, lukewarm water and a mild cleaning agent, then dry well and lubricate them with a silicone or Teflon spray. NEVER lubricate the wheel bearings.

**Important** Some Bugaboo Gecko components may become discolored if left in the sun.

### cleaning the fabric

The Bugaboo Gecko's fabric is detachable and may be washed in a washing machine. Wash carefully.

**Note** The fabric must never:

- be washed at a temperature of more than 30°C/85°F
- bleached
- ironed
- dry cleaned
- dried in a tumbler dryer



The Aerosleep® mattress can be washed at 60°C/140°F. At this temperature, the mattress will become totally clean. The Aerosleep® mattress is lying on top of the thicker mattress and can be taken off by removing the cover. Before washing, ALWAYS remove the frame, reinforcements and plastic foam parts.

## 11. accessories

New accessories are regularly produced for the Bugaboo Gecko. Full details are provided on the website [www.bugaboo.com](http://www.bugaboo.com) or you can ask your supplier for details.

### the present accessories are:

- Parasol
- Wheeled board
- Footmuff
- Diaper Bag
- Adaptors for various car seats, for example Graco® SnugRide®, Peg-Perego Primo Viaggio.\*
- Maintenance kit
- Transport bag

\* Graco® and Peg-Perego are registered trade marks of Graco Children's Products Inc., U.S.A. and Peg Perego SpA, Italy, respectively. Bugaboo is not associated with or linked to these companies in any way.



## LIMITED WARRANTY

Bugaboo, we make innovative, high quality products for babies and children. Bugaboo North America, Inc. warrants this product to be free from defects in material and workmanship existing at the time of manufacture for a period of two years from the date of initial purchase. Your original dated sales or delivery receipt showing the date of purchase is your proof of purchase. If such a defect is discovered during the Limited Warranty period, we will, at our sole option, repair or replace your product at no cost to you.

This Limited Warranty is only valid and applicable to purchases of the product from authorized Bugaboo retailers in the states and provinces of the United States and Canada.

This Limited Warranty extends only to the original retail purchaser of this product and is not transferable to anyone who obtains ownership of the product from the original retail purchaser.

This Limited Warranty does not cover claims resulting from misuse, failure to follow the instructions on installation, maintenance and use, abuse, alteration, involvement in an accident, and normal wear and tear.

THIS LIMITED WARRANTY IS EXCLUSIVE AND IN LIEU OF ANY OTHER WARRANTY, WRITTEN OR ORAL, INCLUDING BUT NOT LIMITED TO ANY EXPRESS WARRANTY OF MERCHANTABILITY OR FITNESS FOR A PARTICULAR PURPOSE. THE DURATION OF ANY IMPLIED WARRANTIES, INCLUDING ANY IMPLIED WARRANTY OF MERCHANTABILITY OR FITNESS FOR A PARTICULAR PURPOSE, IS EXPRESSLY LIMITED TO THIS LIMITED WARRANTY PERIOD.

Some states or provinces do not allow limitations on how long an implied warranty lasts; therefore, the above limitations and exclusions may not apply to you.

THE CUSTOMER'S EXCLUSIVE REMEDY FOR BREACH OF THIS LIMITED WARRANTY OR OF ANY IMPLIED WARRANTY OR OF ANY OTHER OBLIGATION ARISING BY OPERATION OF LAW OR OTHERWISE SHALL BE LIMITED AS SPECIFIED HEREIN TO REPAIR OR REPLACEMENT, AT OUR SOLE OPTION. IN ANY EVENT, RESPONSIBILITY FOR SPECIAL, INCIDENTAL AND CONSEQUENTIAL DAMAGES IS EXPRESSLY EXCLUDED.

Some states or provinces do not allow an exclusion or limitation of special, incidental or consequential damages, therefore, that limitation or exclusion may not apply to you.

This Limited Warranty gives you specific legal rights, and you may have other rights that vary from state to state or province to province.

For warranty service or replacement part information:

USA: 800-460-2922

Canada: 800-355-5560

Outside USA and Canada: Please contact place of purchase for warranty service.

Some replacement parts may be available for purchase after this limited warranty expires. Please visit us at [www.bugaboo.com](http://www.bugaboo.com) or call us at 800-460-2922 for details. In Canada call 800-355-5560 or e-mail: [service@bugaboo.com](mailto:service@bugaboo.com).

## comment

To enable us to continue to make improvements, please let us know what you think of the Bugaboo Gecko's design, use, materials or user guide. Write to Bugaboo Service, PO Box 1299, 1000 BG Amsterdam, or send an e-mail message to [service@bugaboo.com](mailto:service@bugaboo.com)

The Bugaboo Cameleon is patented. The Bugaboo Cameleon model is protected.

Bugaboo is a registered and pending trademark registration in the U.S. Patent and Trademark Office.

## Free Manuals Download Website

<http://myh66.com>

<http://usermanuals.us>

<http://www.somanuals.com>

<http://www.4manuals.cc>

<http://www.manual-lib.com>

<http://www.404manual.com>

<http://www.luxmanual.com>

<http://aubethermostatmanual.com>

Golf course search by state

<http://golfingnear.com>

Email search by domain

<http://emailbydomain.com>

Auto manuals search

<http://auto.somanuals.com>

TV manuals search

<http://tv.somanuals.com>