

# INSTRUCTIONS-PARTS LIST



308-011

Rev A

This manual contains **IMPORTANT INSTRUCTIONS and WARNINGS.**  
READ AND RETAIN FOR REFERENCE.

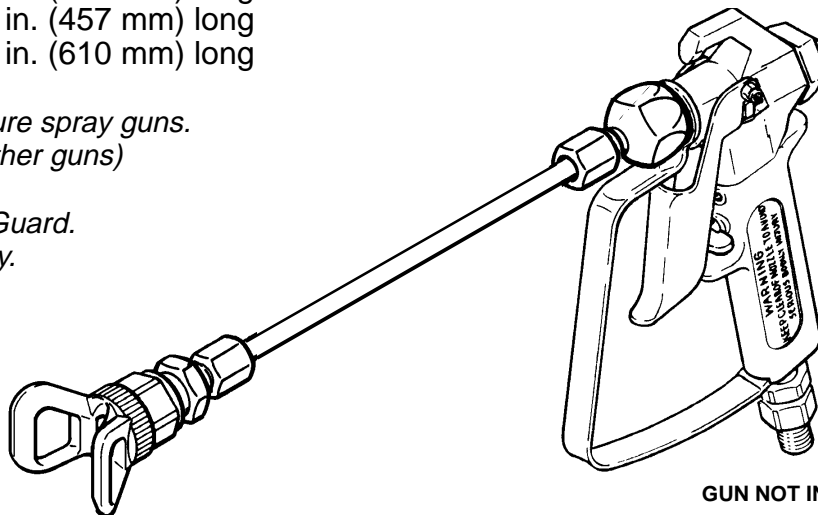
## SPRAY GUN EXTENSION

4050 psi (280 bar) MAXIMUM WORKING PRESSURE

<b>Model 223-390</b>	12 in. (305 mm) long
<b>Model 223-391</b>	18 in. (457 mm) long
<b>Model 223-392</b>	24 in. (610 mm) long

Fits all Graco high pressure spray guns.  
(Adapters available for other guns)

Includes DripLess™ Tip Guard.  
Order spray tip separately.



GUN NOT INCLUDED

### WARNING

#### Pressure Relief Procedure

To reduce the risk of serious bodily injury, including fluid injection, splashing fluid or solvent in the eyes or on the skin, or injury from moving parts or electric shock, follow this procedure whenever you shut off the sprayer, when checking or servicing any part of the spray system, when installing, cleaning or changing spray tips, and whenever you stop spraying.

1. Engage the gun safety latch.
2. Shut off the pump and unplug it (or disconnect the spark plug).

3. Disengage the gun safety latch. Hold metal spray extension firmly to the side of a grounded metal pail, and trigger the gun to relieve pressure.
4. Engage the gun safety latch.
5. Open the sprayer's pressure drain valve, having a container ready to catch the drainage. Leave the valve open until you are ready to spray again.

*If you suspect that the spray tip or hose is completely clogged, or that pressure has not been fully relieved after following the steps above, VERY SLOWLY loosen the tip retainer nut or hose end coupling to relieve pressure gradually, then loosen completely. Now clear the tip or hose.*

### WARNING

#### Hazard of Using Fluids Containing Halogenated Hydrocarbons

Never use 1,1, 1-trichloroethane, methylene chloride, other halogenated hydrocarbon solvents or fluids containing such solvents in this equipment. Such use could result in a serious chemical reaction, with the possibility of explosion, which could cause death, serious bodily injury and/or substantial property damage.

Consult your fluid suppliers to ensure that the fluids being used are compatible with aluminum and zinc parts.

GRACO INC. P.O. BOX 1441 MINNEAPOLIS, MN 55440-1441

©COPYRIGHT 1990, GRACO INC.

## INSTALLATION

Follow the **Pressure Relief Procedure** on the first page.

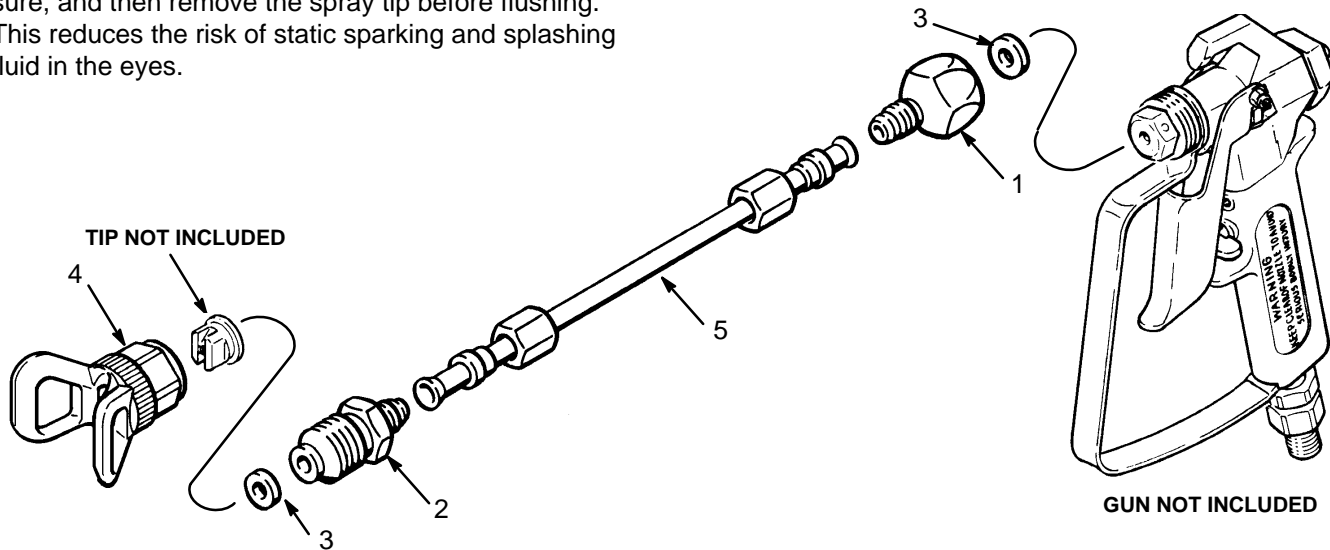
See the drawing below for assembling the extension. Before installing the spray tip, start and prime the sprayer.

Install the tip in the tip guard and be sure to install the tip gasket. Screw the tip guard firmly onto the adapter.

**NOTE:** A Reverse-A-Clean IV™ DripLess™ Tip Guard may be used in place of the one supplied with the extension.

### Flushing

Follow the flushing guidelines given in your separate pump instruction manual. Be sure to relieve fluid pressure, and then remove the spray tip before flushing. This reduces the risk of static sparking and splashing fluid in the eyes.



## PARTS LIST

<b>Model 223-390</b>	12 in. (305 mm) long
<b>Model 223-391</b>	18 in. (457 mm) long
<b>Model 223-392</b>	24 in. (610 mm) long

REF NO.	PART NO.	DESCRIPTION	QTY
1	180-137	NUT, gun	1
2	180-136	ADAPTER, tip	1
3	166-969	WASHER, tip	2
4	220-222	TIP GUARD	1
5		EXTENSION TUBE	
	218-244	12 in. for Model 223-390	1
	218-245	18 in. for Model 223-391	1
	218-246	24 in. for Model 223-392	1

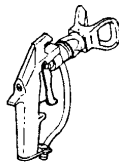
## ACCESSORIES

Must be purchased separately.

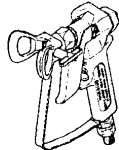
### SPRAY GUNS

Includes Reverse-A-Clean IV DripLess™ Tip Guard and a SwitchTip™

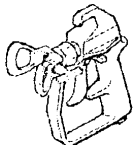
**“SILVER” GUN 220-954**  
5000 psi (350 bar) Max. Working Pressure  
SwitchTip™ is size 517.



**“CONTRACTOR” GUN 220-955**  
3600 psi (248 bar) Max. Working Pressure  
SwitchTip™ is size 517.



**“BLACK MAX” GUN 220-730**  
3600 psi (248 bar) Max. Working Pressure  
SwitchTip™ is size 513.



### REVERSE-A-CLEAN™ IV DripLess™ Tip Guard 220-422

Uses fluid pressure to remove tip clogs. Purchase SwitchTip™ separately.

### ADAPTER GUN NUTS for other guns

Use in place of 180-137.

- 180-147** Fits Binks high pressure guns
- 180-146** Fits Wagner high pressure guns

## TECHNICAL DATA

Maximum Working Pressure	.....	4050 psi (280 bar)
Wetted Parts	.....	Aluminum, Plastic, Stainless Steel, Plated Steel
Weight	223-390	..... 6.9 oz (195 g)
	223-391	..... 8.4 oz (239 g)
	223-392	..... 10 oz (283 g)

**Factory Branches:** Atlanta, Chicago, Dallas, Detroit, Los Angeles, West Caldwell (N.J.)

**Subsidiary and Affiliate Companies:** Canada; England; Switzerland; France; Germany; Hong Kong; Japan

**GRACO INC. P.O. BOX 1441 MINNEAPOLIS, MN 55440-1441**

## Free Manuals Download Website

<http://myh66.com>

<http://usermanuals.us>

<http://www.somanuals.com>

<http://www.4manuals.cc>

<http://www.manual-lib.com>

<http://www.404manual.com>

<http://www.luxmanual.com>

<http://aubethermostatmanual.com>

Golf course search by state

<http://golfingnear.com>

Email search by domain

<http://emailbydomain.com>

Auto manuals search

<http://auto.somanuals.com>

TV manuals search

<http://tv.somanuals.com>