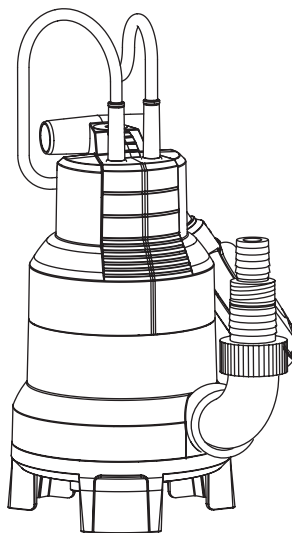


6000 S
Art. 1777



6000 SP
Art. 1790

- D** **Gebrauchsanweisung**
Tauchpumpe/Schmutzwasserpumpe
-
- GB** **Operating Instructions**
Submersible Pump/Dirty Water Pump
-
- F** **Mode d'emploi**
Pompe pour eaux claires/Pompe pour eaux chargées
-
- NL** **Gebruiksaanwijzing**
Dompelpomp/Vuilwaterpomp
-
- S** **Bruksanvisning**
Dränkbar pump/spillvattenpump
-
- I** **Istruzioni per l'uso**
Pompa sommersa/Pompa sommersa per acqua sporca
-
- E** **Manual de instrucciones**
Bomba sumergible/Bomba para aguas sucias
-
- P** **Instruções de utilização**
Bomba submersível/Bomba para esgotos
-
- DK** **Brugsanvisning**
Dykpumpe/Pumpe til snavset vand

GARDENA Submersible Pump 6000 S/ Dirty Water Pump 6000 SP

Welcome to the garden of GARDENA ...

GB



Please read these operating instructions carefully and observe the notes given. Use these operating instructions to familiarise yourself with your Pump, its proper use and the notes on safety.



For safety reasons, children under the age of 16 and people not familiar with these operating instructions must not use this pump.

→ Please Keep these operating instructions in a safe place.

Contents:

1. Where to use your GARDENA Pump.	10
2. Safety Instructions	11
3. Using the Pump for the First Time	12
4. Operation	13
5. Storage	14
6. Cleaning	14
7. Troubleshooting	14
8. Technical Data	15
9. Warranty	16

1. Where to use your GARDENA Pump

Correct use:

The GARDENA pump is intended for private use around the house and garden. It is primarily intended for drainage purposes if flooding (please ensure this word is not split over 2 lines) occurs but also for transferring water to and from tanks and pumping them out, for drawing water from wells and shafts, for draining boats and yachts and for aerating and circulating water for limited periods.

Liquid conveyed:

The GARDENA pump is suitable for conveying:

- Submersible pump 6000 S: clean to slightly dirty water with a max. particle size of 5 mm,
- Dirty water pump 6000 SP: dirty water with a max. particle size of 25 mm,

and swimming pool water (provided that the additives have been measured and added in accordance with manufacturers' instructions) and soapy water.

The pump can be fully submerged (watertight encapsulation) and can be lowered down to a depth of 9 m into the water.

Please note:



The GARDENA pump is not intended for long term use (e. g. use for continuous circulation) in a pond. The length of life of the pump will be shortened accordingly if used in this way. Corrosive, flammable or explosive substances (e.g. petrol, paraffin, cellulose thinners); grease, oil, salt water and sewage must not be conveyed by the pump. The temperature of the liquid conveyed may not exceed 35 °C.

2. Safety Instructions



Electrical safety:

DANGER ! Electric shock !

The pump must not be operated if there are people in the swimming pool or garden pond.

→ Ensure that the electrical plug and socket connections are fitted in an area which cannot flood.

→ Protect power plug from moisture.

According to DIN VDE (German Electrical Engineers' Association) 0620, mains power cables must not have a smaller cross-section than the rubber-sheathed cables of the designation H05 RNF. The cable length must be at least 10 m.

Data indicated on the type plate must match technical data of the mains supply.

According to DIN VDE 0100, pumps may only be operated in swimming pools, garden ponds and wells via a fault current circuit breaker with a nominal fault current of ≤ 30 mA.

Swimming pools and garden ponds should be designed according to international and national design regulations.

For safety reasons we recommend that the pump is always operated by a residual-current device (DIN VDE 0100-702 and 0100-738).

→ If in doubt please consult a qualified electrician.

Protect plug and power cable from heat, oil and sharp edges.

The connection cable of the pump cannot be replaced. If the cable is damaged the pump must be scrapped.

→ Do not pull out the power cable from the socket as a method of turning the pump off.

The power cable or the float switch must not be used for mounting or relocating the pump. For submerging or lifting/securing the pump, fix a rope to the pump's carrying handle.

In Austria, according to ÖVE B/EN 60 555 parts 1 to 3, pumps which are used in swimming pools and garden ponds, and equipped with firm power cable should be fed via an ÖVE approved isolating transformer – rated voltage must not exceed 230 V.

In Switzerland mobile appliances which are used outdoors must be connected via a residual-current device.

Operating instructions:

→ Before operating the pump look to see if there is any damage to the pump (especially to the power cable and plug).

→ Clear the outlet line before use. Avoid running the pump with the outlet side closed off for more than 10 minutes. against closed delivery side of the pump.

→ Observe the minimum water level and the max. delivery height (see 8. Technical Data).

A damaged pump must not be used.

→ In case of damage, please have the pump checked by our GARDENA Service Centre.

Dry-running operation causes increased wear and is to be avoided. Therefore, in manual operation the pump must be immediately unplugged when water fails to flow.

→ Observe the pump at all times during manual operation.

Take care that the pump is located where the inlet openings at the suction base are not obstructed neither completely nor partly.

Stand the pump on a brick if using in a pond.

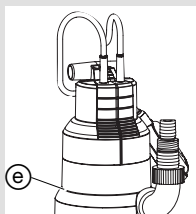
Safety instructions:

Thermal motor protector:

The pump is automatically switched off on overheating by the built-in thermal motor protector. After having cooled down, the motor automatically switches on again (see 7. Troubleshooting).

Automatic Air bleed valve:

The automatic air bleed valve eliminates any air pockets in the pump. During this process, air escapes through the vent bores (e) and air bubbles appear underwater. This is not a defect of your pump, but serves to deaerate the pump, but serves to remove air from the pump.

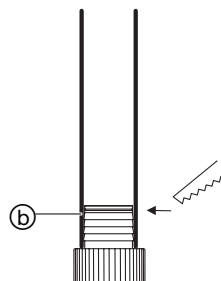
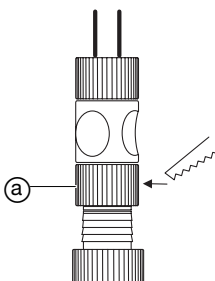
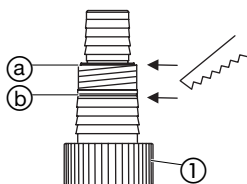


It may take several seconds for the air to escape when the pump is immersed for the first time.

3. Using the Pump for the First Time

Hose diameter	13 mm (1/2")	15 mm (5/8")	25 mm (1")	38 mm (1 1/2")
---------------	--------------	--------------	------------	----------------

Hose connection of universal fitting ①



Hose connection

Cut off topmost nipple at (a)

Do not cut off any nipples

Cut off top two nipples at (b)

Connection kits needed for 13 - 19 mm hoses:

13 mm (1/2"): GARDENA Pump Connection Set, Art. No. 1750

15 mm (5/8"): GARDENA Tap Connector, Art. No. (2)902, and Standard Hose Connector, Art. No. (2)916

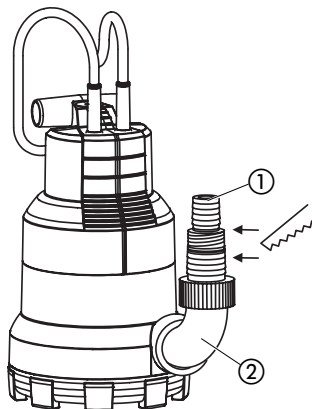
19 mm (3/4"): GARDENA Pump Connection Set, Art. No. 1752

Best results in delivery capacity are achieved when using 38 mm (1 1/2") hoses.

Connecting the hose:

The universal fitting ① allows connection of all the hoses listed in the table above.

1. Screw L-piece ② into the pump.
2. Cut off nipples of the universal fitting ① which are not needed, to match the hose connection.
3. Screw the universal fitting ① onto the pump.
4. Connect the hose to the universal fitting ①.



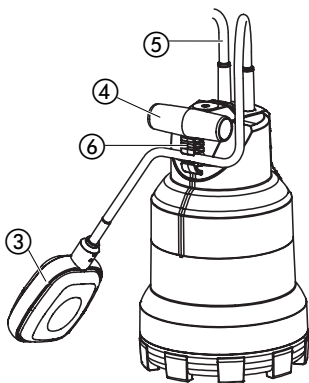
We recommend that 38 mm (1 1/2")- and 25 mm (1") hoses should be fastened with an additional **GARDENA** hose clamp Art. No. 7193.

Only for 13 mm (1/2") hose:

The universal fitting ① can also be equipped with a **GARDENA Regulator Valve Art. No. (2)977** so that the contents of the outlet line do not flow back through the pump after pumping. The Regulator Valve can be ordered from your GARDENA dealer.

4. Operation

Automatic operation:



The float switch ③ turns the pump on automatically when the water level exceeds the cut-in height and the water is pumped out.

The float switch ③ turns the pump off again as soon as the water level falls below the cut-out height.

1. Stand the pump on a firm surface
– or –
use a rope attached through the bore hole in the carrying handle ④ to immerse the pump in a well or shaft.
During automatic operation, ensure that the float switch ③ can move freely.
2. Plug the power cable ⑤ into a mains socket.

Adjusting the Cut-in and Cut-out Height:

(Minimum depth for switching on and off, see 8. **Technical Data**.)

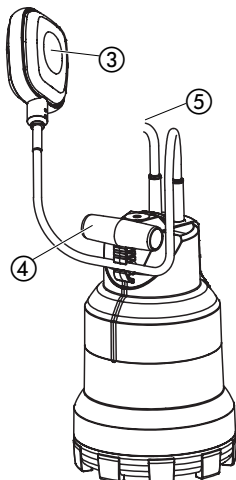
→ Push the cable of the float switch ③ into the float switch lock ⑥.

Do not select a cable length that is too long or short to ensure that the float switch can turn on and off properly.

The cable length between the float switch ③ and the float switch lock ⑥ must always be at least 10 cm.

- The shorter the length of cable between the float switch ③ and the float switch lock ⑥, the lower the cut-in height and the higher the cut-out height.

Manual operation:



To ensure that the pump can draw in water, the level must be above the minimum water level at start-up (see 8. **Technical Data**).

The pump remains constantly in operation because it is switched on manually by raising the float switch.

1. Stand the pump on a firm surface
– or –
use a rope attached through the bore hole in the carrying handle ④ to immerse the pump in a well or shaft.
2. Plug the power cable ⑤ into a mains socket.
3. Fix float switch ③ vertically above the pump (with the cable at the bottom).
As long as the float switch is positioned vertically above the pump, the pump will operate regardless of the water level.

The minimum residual water depth (see 8. **Technical Data**) is only achieved in manual mode because the float switch already switches off the pump before this when in automatic mode.

5. Storage

Storage:



→ Clean and store the pump in a frost-free place before the first frost arrives.

Disposal:
(in accordance with
RL2002/96/EC)

The product must not be added to normal household waste. It must be disposed of in line with local environmental regulations.

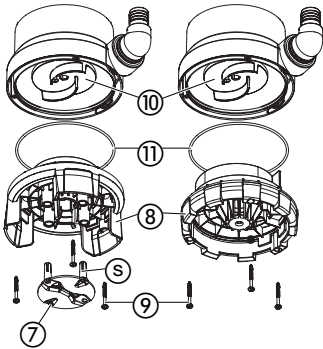
6. Cleaning

Flushing the pump:

The GARDENA should not require regular maintenance.

After pumping pumped chlorinated swimming pool water or other liquids leaving residues, the pump should be rinsed with clear water.

Cleaning the suction base and feed impeller:



WARNING ! Electric shock !

Risk of injury due to electric shock.

→ **Disconnect the pump from the mains before cleaning the suction base and feed impeller.**

1. Unscrew the cross-head screws ⑨ and remove the suction base ⑧ from the pump.
2. 6000 SP: Press snap hooks ⑤ together and remove safety cover ⑦ from suction foot ⑧ and clean.
3. Clean suction foot ⑧ and impeller ⑩.
4. Refit suction foot ⑧ and screw in the cross-head screws ⑨ again. During this, ensure that the sealing ring ⑪ is seated correctly.
5. 6000 SP: Reinsert the safety cover ⑦ in the suction foot ⑧ again.

For safety reasons a damaged feed impeller ⑩ can only be exchanged by the GARDENA Service Centre.

7. Troubleshooting



WARNING ! Electric shock !

Risk of injury due to electric shock.

→ **Disconnect the pump from the mains before rectifying faults.**

Problem	Probable cause	Remedy
Pump is running, but does not deliver.	Air cannot escape as pressure line is closed.	→ Open pressure line (e.g. kinked pressure pipe).
	Air locks in the suction base.	→ Wait for max. 60 seconds until the pump deaerates automatically over the vent valve. If necessary, switch off and start it again.

Problem	Probable cause	Remedy
Pump is running, but does not deliver.	Feed impeller clogged.	→ Disconnect plug and clean feed impeller (see 6. Cleaning).
	When starting the pump, water height falls below the minimum water level.	→ Submerge pump deeper into water.
Pump doesn't start or suddenly stops during operation.	Thermal overload switch has switched the pump off due to overheating.	→ Disconnect plug and clean feed impeller (see 6. Cleaning). Observe maximum water temperature of 35°C.
	No power.	→ Check fuse and electrical plug and socket connections.
	Dirt particles are jammed in the suction base.	→ Disconnect plug and clean suction base (see 6. Cleaning).
Pump runs, but output suddenly decreases.	Suction base is clogged.	→ Disconnect plug and clean suction base (see 6. Cleaning).

Attention!

Work on electrical parts must only be carried out by GARDENA Service or an authorised GARDENA repairer.

If you have any problems with your Pump, please contact our Service.

8. Technical Data

	6000 S (Art. No.1777)	6000 SP (Art. No. 1790)
Mains voltage/mains frequency	230 V AC/50 Hz	230 V AC/50 Hz
Rated Power	220 W	220 W
Connection cable	10 m; H05-RN-F	10 m; H05-RN-F
Max. delivery capacity	6000 l/h	6000 l/h
Max. pressure/head	0,5 bar/5 m	0,5 bar/5 m
Max. submersion depth	9 m	9 m
Min. depth of water for switching on	Ca. 330 mm	Ca. 350 mm
Min./max. depth for switching off	Ca. 50 mm/95 mm	Ca. 65 mm/120 mm
Residual depth of water	Empties down to approx. 5 mm	25 mm
Dirty water with max. particle diameter	Ø 5 mm	Ø 25 mm
Pump connection	38 mm (1½")-/25 mm (1")-stepped connection. Option GARDENA plug-in connection water hose system for connecting 13 mm (1/2")/15 mm (5/8")/19 mm (3/4") hoses.	
Minimum water level at start-up	50 mm	75 mm
Weight	Ca. 3,1 kg	Ca. 3,2 kg
Max. water temperature	35 °C	35 °C

Cut-in/Cut-out height:

The cut-in and cut-out height varies. The residual water height is only reached during manual operation (see 4. Operation).

9. Warranty

GARDENA guarantees this product for 2 years from date of purchase. This guarantee covers all serious defects of the unit that can be proved to be material or manufacturing faults. Under warranty we will either replace the unit or repair it free of charge if the following conditions apply:


- The unit must have been handled properly and in keeping with the requirements of the operating instructions.
- Neither the purchaser or a non-authorized third party have attempted to repair the unit.

The feed impeller is a wearing part and is not covered by the guarantee.

This manufacturer's guarantee does not affect the user's existing warranty claims against the dealer/seller.

If you have any problems with your pump, please contact our Customer Service or return the defective unit together with a short description of the problem directly to one of the GARDENA Service Centres listed on the back of these operating instructions.

<p>D <i>Produkthftung</i></p>	<p>Wir weisen ausdrücklich darauf hin, dass wir nach dem Produkthaftungsgesetz nicht für durch unsere Geräte hervorgerufene Schäden einzustehen haben, sofern diese durch unsachgemäße Reparatur verursacht oder bei einem Teileaustausch nicht unsere originale GARDENA Teile oder von uns freigegebene Teile verwendet wurden und die Reparatur nicht vom GARDENA Service oder dem autorisierten Fachmann durchgeführt wird. Entsprechendes gilt für Ergänzungsteile und Zubehör.</p>
<p>GB <i>Product Liability</i></p>	<p>We expressly point out that, in accordance with the product liability law, we are not liable for any damage caused by our units if it is due to improper repair or if parts exchanged are not original GARDENA parts or parts approved by us, and, if the repairs were not carried out by a GARDENA Service Centre or an authorised specialist. The same applies to spare parts and accessories.</p>
<p>F <i>Responsabilité</i></p>	<p>Nous vous signalons expressément que GARDENA n'est pas responsable des dommages causés par ses appareils, dans la mesure où ces dommages seraient causés suite à une réparation non conforme, dans la mesure où, lors d'un échange de pièces, les pièces d'origine GARDENA n'auraient pas été utilisées, ou si la réparation n'a pas été effectuée par le Service Après-Vente GARDENA ou l'un des Centres SAV agréés GARDENA. Ceci est également valable pour tout ajout de pièces et d'accessoires autres que ceux préconisés par GARDENA.</p>
<p>NL <i>Productaansprakelijkheid</i></p>	<p>Wij wijzen er nadrukkelijk op, dat wij op grond van de wet aansprakelijkheid voor producten niet aansprakelijk zijn voor schade ontstaan door onze apparaten, indien deze door onvakkundige reparatie veroorzaakt zijn, of er bij het uitwisselen van onderdelen geen gebruik gemaakt werd van onze originele GARDENA onderdelen of door ons vrijgegeven onderdelen en de reparatie niet door de GARDENA technische dienst of de bevoegde vakman uitgevoerd werd. Ditzelfde geldt voor extra-onderdelen en accessoires.</p>
<p>S <i>Produktansvar</i></p>	<p>Tillverkaren är inte ansvarig för skada som orsakats av produkten om skadan beror på att produkten har reparerats felaktigt eller om, vid reparation eller utbyte, andra än Original GARDENA reservdelar har använts. Samma sak gäller för kompletteringsdelar och tillbehör.</p>
<p>I <i>Responsabilità del prodotto</i></p>	<p>Si rende espressamente noto che, conformemente alla legislazione sulla responsabilità del prodotto, non si risponde di danni causati da nostri articoli se originali da riparazioni eseguite non correttamente o da sostituzioni di parti effettuate con materiale non originale GARDENA o comunque da noi non approvato e, in ogni caso, qualora l'intervento non venga eseguito da un centro assistenza GARDENA o da personale specializzato autorizzato. Lo stesso vale per le parti complementari e gli accessori.</p>
<p>E <i>Responsabilidad de productos</i></p>	<p>Advertimos que conforme a la ley de responsabilidad de productos no nos responsabilizamos de daños causados por nuestros aparatos, siempre y cuando dichos daños hayan sido originados por arreglos o reparaciones indebidas, por recambios con piezas que no sean piezas originales GARDENA o bien piezas no autorizadas por nosotros, así como en aquellos casos en que la reparación no haya sido efectuada por un Servicio Técnico GARDENA o por un técnico autorizado. Lo mismo es aplicable para las piezas complementarias y accesorios.</p>
<p>P <i>Responsabilidade sobre o produto</i></p>	<p>Queremos salientar que segundo a lei da responsabilidade do fabricante, nós não nos responsabilizaremos por danos causados pelo nosso equipamento, quando estes ocorram em decorrência de reparações inadequadas ou da substituição de peças por peças não originais da GARDENA, ou peças não autorizadas. A responsabilidade tornar-se-à nula também depois de reparações realizadas por oficinas não autorizadas pela GARDENA. Esta restrição valerá também para peças adicionais e acessórios.</p>
<p>DK <i>Produktansvar</i></p>	<p>Vi gør udtrykkeligt opmærksom på at i henhold til produktansvarsloven er vi ikke ansvarlige for skader forårsaget af vores udstyr, hvis det er på grund af uautoriserede reparationer eller hvis dele er skiftet ud og der ikke er anvendt originale GARDENA dele eller dele godkendt af os, eller hvis reparationerne ikke er udført af GARDENA-service eller en autoriseret fagmand. Det samme gælder for ekstra udstyr og tilbehør.</p>

<p>D EU-Konformitätserklärung Maschinenverordnung (9. GSGVO) / EMVG / Nieders. RL Der Unterzeichnete GARDENA Manufacturing GmbH · Hans-Lorenser-Straße 40 · D-89079 Ulm bestätigt, dass die nachfolgend bezeichneten Geräte in der von uns in Verkehr gebrachten Ausführung die Anforderungen der harmonisierten EU-Richtlinien, EU-Sicherheitsstandards und produktspezifischen Standards erfüllen. Bei einer nicht mit uns abgestimmten Änderung der Geräte verliert diese Erklärung ihre Gültigkeit.</p>	Bezeichnung des Gerätes: Tauchpumpe/Schmutzwasserpumpe Description of the unit: Submersible Pump/Dirty Water Pump Désignation du matériel : Pompe pour eaux claires/ Pompe pour eaux chargées Omschrijving van het apparaat: Dompelpomp/Vuilwaterpomp Produktbeskrivning: Dränkrab pump/spillvattenpump Descrizione del prodotto: Pompa sommersa/ Pompa sommersa per acqua sporca Descripción de la mercancía: Bomba sumergible/ Bomba para aguas sucias Descrição do aparelho: Bomba submersível/ Bomba para esgotos Beskrivelse af enhederne: Dampumpe/Pumpe til snavset vand
<p>GB EU Certificate of Conformity The undersigned GARDENA Manufacturing GmbH · Hans-Lorenser-Str. 40 · D-89079 Ulm hereby certifies that, when leaving our factory, the units indicated below are in accordance with the harmonised EU guidelines, EU standards of safety and product specific standards. This certificate becomes void if the units are modified without our approval.</p>	
<p>F Certificat de conformité aux directives européennes Le constructeur, soussigné : GARDENA Manufacturing GmbH · Hans-Lorenser-Str. 40 · D-89079 Ulm déclare qu'à la sortie de ses usines le matériel neuf désigné ci-dessous était conforme aux prescriptions des directives européennes énoncées ci-après et conforme aux règles de sécurité et autres règles qui lui sont applicables dans le cadre de l'Union européenne. Toute modification portée sur ce produit sans l'accord express de GARDENA supprime la validité de ce certificat.</p>	Typ: Art.-Nr.: Type: Art. No.: Type : Référence : Typ: 6000 S Art. nr.: 1777 Type: 6000 SP Art. nr.: 1790 Modello: Art.: Tipo: Art. N°: Tipo: Art. N°: Type: Varenr.:
<p>NL EU-overeenstemmingsverklaring Ondergetekende GARDENA Manufacturing GmbH · Hans-Lorenser-Str. 40 · D-89079 Ulm bevestigt, dat de volgende genoemde apparaten in de door ons in de handel gebrachte uitvoering voldoen aan de eis van, en in overeenstemming zijn met de EU-richtlijnen, de EU-veiligheidsstandaard en de voor het product specifieke standaard. Bij een niet met ons afgestemde verandering aan de apparaten verliest deze verklaring haar geldigheid.</p>	EU-Richtlijnen: 98/37/EG EU directives: EU directives: 89/336/EG Directives européennes : EU-richtlijnen: EU direktiv: 2006/95/EG Directive UE: 93/68/EG Normativa UE: Directrices da UE: 2000/14/EG EU Retningslinier:
<p>S EU Tillverkarintyg Undertecknad firma GARDENA Manufacturing GmbH · Hans-Lorenser-Straße 40 · D-89079 Ulm intygar härmed att nedan nämnda produkter överensstämmer med EU:s direktiv, EU:s säkerhetsstandard och produktspecifikation. Detta intyg upphör att gälla om produkten ändras utan vårt tillstånd.</p>	
<p>I Dichiarazione di conformità alle norme UE La sottoscritta GARDENA Manufacturing GmbH · Hans-Lorenser-Str. 40 · D-89079 Ulm certifica che il prodotto qui di seguito indicato, nei modelli da noi commercializzati, è conforme alle direttive armonizzate UE nonché agli standard di sicurezza e agli standard specifici di prodotto. Qualunque modifica apportata al prodotto senza nostra specifica autorizzazione invalida la presente dichiarazione.</p>	
<p>E Declaración de conformidad de la UE El que suscribe GARDENA Manufacturing GmbH · Hans-Lorenser-Str. 40 · D-89079 Ulm declara que la presente mercancía, objeto de la presente declaración, cumple con todas las normas de la UE, en lo que a normas técnicas, de homologación y de seguridad se refiere. En caso de realizar cualquier modificación en la presente mercancía sin nuestra previa autorización, esta declaración pierde su validez.</p>	Anbringningsjahr der CE-Kennzeichnung: Year of CE marking: Date d'apposition du marquage CE : Installatiejaar van de CE-aanduiding: CE-Märkningsår: 2005 Anno di rilascio della certificazione CE: Colocación del distintivo CE: Ano de marcação pela CE: CE-Mærkningsår:
<p>P Certificado de conformidade da UE Os abaixo mencionados GARDENA Manufacturing GmbH · Hans-Lorenser-Str. 40 · D-89079 Ulm Por este meio certificam que ao sair da fábrica os aparelhos abaixo mencionados estão de acordo com as diretrizes harmonizadas da UE, padrões de segurança e de produtos específicos. Este certificado ficará nulo se as unidades forem modificadas sem a nossa aprovação.</p>	 Peter Lameli Ulm, den 01.07.2005 Technische Leitung Ulm, 01.07.2005 Technical Dept. Manager Fait à Ulm, le 01.07.2005 Direction technique Ulm, 01.07.2005 Technisch directenr Ulm, 2005.07.01 Technical Director Ulm, 01.07.2005 Direzione Tecnica Ulm, 01.07.2005 Dirección Técnica Ulm, 01.07.2005 Director Técnico Ulm, 01.07.2005 Teknisk direktør
<p>DK EU Overensstemmelse certifikat Undertegnede GARDENA Manufacturing GmbH · Hans-Lorenser-Str. 40 · D-89079 Ulm bekræfter hermed, at enheder listet herunder, ved afsendelse fra fabrikken, er i overensstemmelse med harmoniserede EU retningslinier, EU sikkerheds standarder og produkt specifikations standarder. Dette certifikat træder ud af kraft hvis enhederne er ændret uden vor godkendelse.</p>	

Pumpen-Kennlinie:

Performance characteristics

Courbes de performance

Prestatiegrafiek

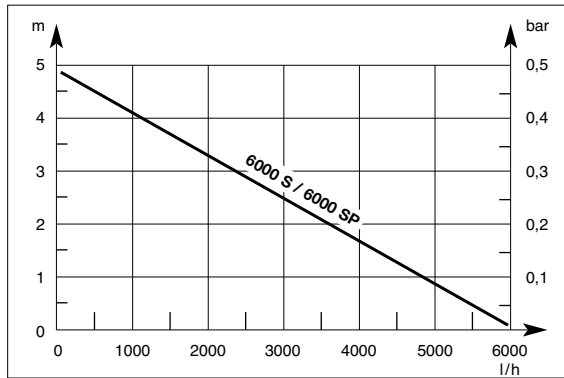
Kapacitetskurva

Curva di rendimento

Curva característica de la bomba

Características de performance

Ydelses karakteristika



Deutschland/Germany
GARDENA Manufacturing GmbH
Service Center
Hans-Lorenser-Straße 40
D-89079 Ulm
Produktfragen: (+49) 731 490-123
Reparaturen: (+49) 731 490-290
service@gardena.com

Argentina
Argensem S.A. Calle Colonia
Japonesa s/n - (1625) Loma
Verde, Escobar, Buenos Aires
Phone: (+54) 34 88 49 40 40
info@argensem.com.ar

Australia
Nylex Consumer Products
50-70 Stanley Drive
Somerton, Victoria, 3062
Phone: 1800 658 276
spare.parts@nylex.com.au

Austria/Österreich
GARDENA Österreich Ges.m.b.H.
Stettnerweg 11-15
2100 Korneuburg
Tel.: (+43) 22 62 745 45-36 od. -30
kundendienst@gardena.at

Belgium
GARDENA Belgium NV/SA
Sterrebeekstraat 163
1930 Zaventem
Phone: (+32) 27 20 921 2
info@gardena.be

Brazil
Palash Comércio e Importação Ltda.
Rua Américo Brasiliense,
2414 - Chácara Sto Antonio
São Paulo - SP - Brasil -
CEP 04715-005
fone: 55 11 5181-0909
fax: 55 11 5181-2020

Bulgaria
Sofia 1404 Bulgaria
2 Luis Ahalier Str.
7th floor, DENEX LTD.
Phone: (+359) 2 9581821
office@denex-bg.com

Canada
GARDENA Canada Ltd. 100,
Summerlea Road Brampton,
Ontario, L6T 4X3
Phone: (+1) 905 792 93 30
info@gardenacanada.com

Chile
Antonio Martinic Y CIA. LTDA.
Gilberto Fuenzalida 185 Loc.
Las Condes, Santiago de Chile
Phone: (+56) 2 20 10 708
garfar_cl@yahoo.com

Costa Rica
Compania Exim Euroberoameri-
cana S.A. Los Colegios, Moravia,
200 metros al Sur del Colegio
Saint Francis, San José, Costa
Rica. Phone: (+506) 297 68 83
exim_euro@racsa.co.cr

Croatia
KLIS d.o.o., Stančićeva 79
10419 Vukovina
Phone: (+385) 1 622 777 0
gardena@klis-trgovina.hr

Cyprus
FARMOKIPIKI LTD
P.O. Box 7098
74, Digeni Akrita Ave.
1641 Nicosia
Phone: (+357) 22 75 47 62
condam@spidernet.com.cy

Czech Republic
GARDENA spol. s r.o.
Řípská 20a, č.p. 1153
62700 Brno
Phone: (+420) 800 100 425 (Hotline)
gardena@gardenabrno.cz

Denmark
GARDENA Norden AB
Box 9003, 200 39 Malmö, Sverige
info@gardena.dk

Finland
Habitec Oy, Martinkyläntie 52
01720 Vantaa

France
GARDENA France
Service Après-Vente
BP 50080
95948 ROISSY CDG Cedex
Tél.: (+33) 0826 101 455
service.consommateurs@gardena.fr

Great Britain
GARDENA UK Ltd.
27-28 Brenkley Way
Blezzard Business Park
Seaton Burn
Newcastle upon Tyne NE13 6DS
info@gardena.co.uk

Greece
Agrokrip - Psmadopoulos S.A.
Ifaistou 33A - Ind. Area Koropi,
194 00 Athens Greece
V.A.T. EL093474846
Phone: (+30) 210 66 20 225
info@agrokrip.gr

Hungary
GARDENA Magyarország Kft.
Késmárk utca 22
1158 Budapest
Phone: (+36) 80 20 40 33 (Hotline)
gardena@gardena.hu

Iceland
Ó. Johnson & Kaaber
Tunguhalsi 1
110 Reykjavik

Ireland
Michael McLoughlin & Sons
Hardware Limited, Long Mile Road
Dublin 12

Italy
GARDENA Italia S.p.A.
Via Donizetti 22,
20020 Lainate (MI)
Phone: 02.93.94.79.1
info@gardenaitalia.it

Japan
KAKUICHI Co. Ltd.
Yamato Bldg. 5-3-1
Kojimachi Chiyoda-ku.
Tokyo 102-0083
Phone: (+81)-(0)3-3264-4721
m_ishihara@kaku-ichi.co.jp

Luxembourg
Magasins Jules Neuberg
39, rue Jacques Stas
Luxembourg-Gasperich 2549
Case Postale No. 12
Luxembourg 2010
Phone: +352-40 14 01
api@neuberg.lu

Netherlands
GARDENA Nederland BV
Postbus 50176
1305 AD ALMERE
Phone: (+31) 36 521 00 00
info@gardena.nl

Neth. Antilles
Jonka Enterprises N.V.
Sta. Rosa Weg 196
P.O. Box 8200, Curaçao
Phone: (+599) 9 767 66 55
pgm@jonka.com

New Zealand
NYLEX New Zealand Ltd.
Building 2
118 Savill Drive
Mangere, Auckland
Phone: (+64) 9 270 1806
lena.chapman@nylex.com.au

Norway
GARDENA Norden AB
Karihaugveien 89, 1086 Oslo

Poland
GARDENA Polska Sp. z o.o.
Szymanów 9d, 05-532 Baniocza
Phone: (+48) 22 727 56 90
gardena@gardena.pl

Portugal
GARDENA, Lda.
Recta da Granja do Marquês
Edif. GARDENA Algueirão,
2725-596 Mem Martins
Phone: 219228530
info@gardena.pt

Romania
MAXEX INTERNATIONAL SRL
Soseaua Odaii 117-123, sector 1
Bucuresti, RO 013603
Phone: (+40) 21 352 760 3/4/5/6
madex@ines.ro

Russia/Россия
АО АМИДА ТТЦ
ул. Мосфильмовская 66
117330 Москва
Phone: (+7) 095 956 99 00
amida@col.ru

Singapore
Hy-Ray Private Limited
40 JALAN PEMIMPIN
#02-08 Tat Ann Building
Singapore 577 185
Phone: (65) 6253 2277
hyray@singnet.com.sg

Slovak Republic
GARDENA Slovensko, s. r. o.
Panónska cesta 17
851 04 Bratislava
Phone: (+421) 263 453 722
info@gardena.sk

Slovenia
GARDENA d.o.o., Brodišče 15, 1236 Trzin
Phone: (+386) 1 580 93 32
servis@gardena.si

South Africa
GARDENA South Africa (Pty.) Ltd.
P.O. Box 11534, Vorna Valley 1686
Phone: (+27) 11 315 02 23
sales@gardena.co.za

Spain
GARDENA IBÉRICA S.L.
C/ Basauri, nº 6
La Florida, 28023 Madrid
Phone: (+34) 91 708 05 00 (4 líneas)
atencioncliente@gardena.es

Sweden
GARDENA Norden AB
Box 9003, 20039 Malmö
info@gardena.se

Switzerland/Schweiz
GARDENA Schweiz AG
Bitzberg 1, 8184 Bachenbülach
Tel.: (+41)-848 800 464
info@gardena.ch

Turkey
GARDENA Doğuş Ticaret
Müessesilik A.Ş. Sanayi
Çad. Adil Sokak No. 1
Kartal - Istanbul

Ukraine
ALTSEST JSC
4 Petropavlivska Street
Petropavlivska Borschahivka Town
Kyivo Svyatoshyn Region
08130 Ukraine
Phone: +380 44 4595703
upyr@altsest.kiev.ua

USA
Melnor, 3085 Shawnee Drive
Winchester, VA 22604
Phone: (540) 722-9080
service_us@melnor.com

1777-20.960.03/0207
© GARDENA Manufacturing GmbH
D-89079 Ulm
http://www.gardena.com

Free Manuals Download Website

<http://myh66.com>

<http://usermanuals.us>

<http://www.somanuals.com>

<http://www.4manuals.cc>

<http://www.manual-lib.com>

<http://www.404manual.com>

<http://www.luxmanual.com>

<http://aubethermostatmanual.com>

Golf course search by state

<http://golfingnear.com>

Email search by domain

<http://emailbydomain.com>

Auto manuals search

<http://auto.somanuals.com>

TV manuals search

<http://tv.somanuals.com>