

Art. 1820

GB Operating Instructions

Water Timer Electronic T 14 e

S Bruksanvisning

Bevattningstimer electronic T 14 e

NL Gebruiksaanwijzing

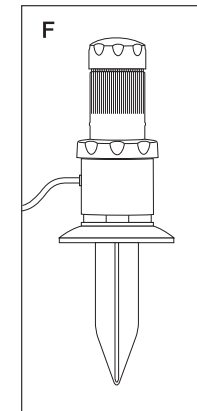
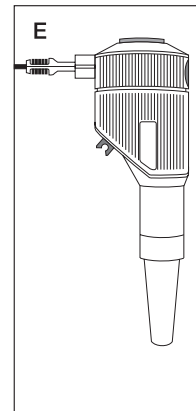
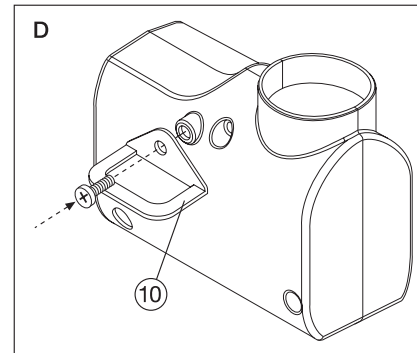
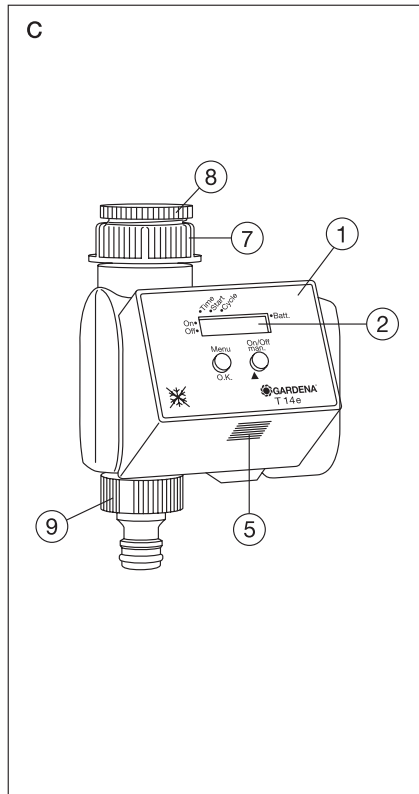
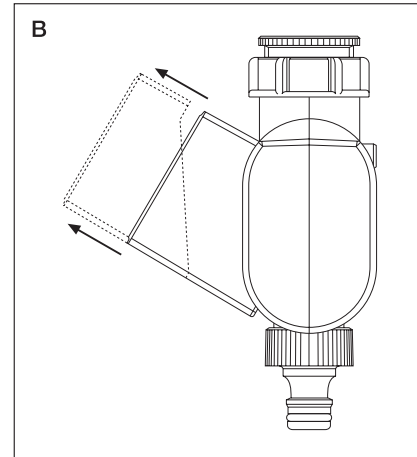
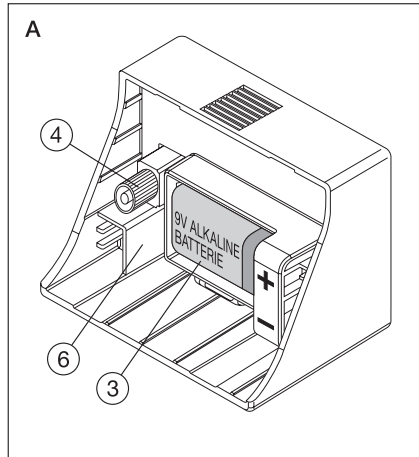
Elektronische watertimer T 14 e

D Gebrauchsanweisung

Bewässerungsuhr electronic T 14 e

FIN Käyttöohje

Elektroninen vesiajastin T 14 e



GARDENA

Water Timer Electronic T 14 e



1. Notes on these Operating Instructions


Please read these operating instructions carefully and observe the notes given. Use these operating instructions to familiarise yourself with the Water Timer, the unit's features and proper use as well as with the notes on safety.

 **For safety reasons, children and young people under 16 as well as anyone who is not familiar with these operating instructions may not use the Water Timer.**

Keep these operating instructions in a safe place.

2. Proper Use

The GARDENA Water Timer Electronic T 14 e is suitable and determined for private use in domestic and hobby gardens, exclusively for outdoor use, to control sprinklers and watering systems.

 **The Water Timer must not be used for industrial purposes or in conjunction with chemicals, foodstuffs, easily flammable and explosive materials.**

Compliance with the operating instructions provided by the manufacturer is a prerequisite to ensure proper use of the GARDENA Water Timer Electronic.

The operating instructions also contain operating, servicing and maintenance conditions.

3. Technical Data

Operating pressure:	1 - 12 bar
Flow medium:	clean fresh water
Max. water temperature:	40 °C
Watering cycles:	14
Battery:	1 × 9 V alkali-manganese (alkaline) type IEC 6LR61
Service life of the battery:	approx. 1 year

4. How the Water Timer Electronic Works

This GARDENA Water Timer Electronic T 14 e allows you to set different watering cycles for different watering times independent of whether you are using a sprinkler, a sprinkler system installation or a drip-head watering system to water your garden.

Your Water Timer Electronic will water your garden completely automatically according to the program you choose. You can set the timer to water your garden early in the morning or late at night when water evaporates the least, or while you are on holiday.

5. Operating Parts

- ① Control unit
- ② Display
- ③ Battery compartment
- ④ Connection plug for control unit
- ⑤ Release button for control unit
- ⑥ Connection for Soil Moisture Sensor / Rain Sensor
- ⑦ Sleeve nut

Accompanying accessories

- ⑧ G ¾ adaptor for sleeve nut
- ⑨ GARDENA threaded tap connector

Option

- ⑩ Anti-theft protection

6. Preparation for Use

Before you use your Water Timer Electronic you must:

1. Insert the battery
2. Connect the Water Timer Electronic to the tap
3. Set the watering program

6.1 Inserting the Battery (Fig. A)

1. Remove the control unit ① from the housing of the Water Timer by pressing the release button ⑤ (see Fig. B/C).
2. Insert the battery (only use a 9 V alkaline battery) in the battery compartment (Fig. A).

Note: When inserting the battery pay attention to the **+/- markings**.

3. Reattach the control unit to the housing.

6.2 Connecting the Water Timer to the Tap (Fig. C)

The Water Timer is fitted with a sleeve nut for taps with a **33.3 mm (G 1)** thread.

Adaptor for G 3/4 thread (26.5 mm)

The adaptor supplied allows the Water Timer to be connected to taps with a G 3/4 thread (26.5 mm). If you are using the adaptor, screw **the adaptor onto the tap** before screwing the Water Timer onto the adaptor.

Warning! Attach and screw on manually. Do not use pliers!

6.3 Function Keys and Display (Fig. C)

Note: The Water Timer control unit ① can be removed (Fig. B). This allows you to set the watering program somewhere other than where the Water Timer is to be used.

Menu-O.K.

→ Changes to the next stage of the program. Simultaneously accepts and confirms the data you have entered using the **man.** key.

On/Off-man.

→ Used to change the individual data (e.g. counting hours, minutes, ...)
→ To switch a connected watering system on and off manually.

LCD Display

Note:

- In the entry mode the corresponding display flashes.
- At high temperatures (over 60 °C at the display) the LCD may extinguish. This has no effect on the program sequence. Once the LCD display cools down, the display will appear again.

On

Status display – The connected watering system is active.

Off

Status display – The connected watering system is inactive.

Time (current time)

→ In the programming mode: Hours – Hours of the current time
 Minutes – Minutes of the current time

Start

→ Starting time; when the watering system becomes active.
Hours – Hour when devices become active
Minutes – Minutes when devices become active

Cycle

Displays selected program.

6.4 Programming

Entering the Current Data

1. Press the **O.K.** key
→ the hours (Time) start flashing.
2. You can enter the time using the **man.** key, e.g. 9:00.
3. Use the **O.K.** key to confirm the hour you have entered and to allow you to enter the minutes.
4. Select the minutes using the **man.** key, e.g. 23.
5. Confirm your entry by pressing the **O.K.** key and switch to the starting time.

Entering the Starting Time

1. Use the **man.** key to enter the hours of the starting time, e.g. 7.
Then press the **O.K.** key to confirm your entry and to enter the minutes.
2. Once again, use the **man.** key to set the minutes of the starting time, e.g. 30.
Confirm your entry by pressing the **O.K.** key. You can now choose your program.

Active Program

1. Choose a program listed in the section “Program Overview”. Press the **man.** key repeatedly until the program number you require appears on the display.
Note: With the combination 00 (“Stand-by”) no program is active.
2. Confirm your selection by pressing the **O.K.** key.
→ You have now successfully programmed your Water Timer. The current time now appears on the display.

Note

- You can jump to the next program level at any time during the programming sequence by pressing the **O.K.** key (current time, starting time, program number). The set data is then simultaneously accepted.
- If you do not enter data within 120 seconds, you automatically leave the programming mode and the LCD shows the current time (normal display). Any changes you have made previously are applied.
- You have now successfully programmed your Water Timer. Your garden will now be watered automatically at the programmed times.

Display During Active Time

Example:

- The current time is 8:45 am
- **On** is lit; this means watering is in progress (active)
- The double dots between the hours and minutes of the time are flashing; this means the clock is running.

You can start or end the watering prematurely at any time by pressing the **man.** key. The watering time is then 30 minutes.

Read/Change Program

To check the data, you can repeatedly press the **O.K.** key to run through the program levels. The levels are selected and checked consecutively. This does not interrupt the current program cycle.

To change the data, proceed as described above.

Program Overview

Program number	Cycle	Duration
00	No program active	
01	6 hours (4 times daily)	3 minutes
02	12 hours (twice daily)	3 minutes
03	12 hours (twice daily)	15 minutes
04	24 hours (once a day)	3 minutes
05	24 hours (once a day)	5 minutes
06	24 hours (once a day)	30 minutes
07	24 hours (once a day)	1 hour
08	2 days	5 minutes
09	2 days	30 minutes
10	2 days	1 hour
11	3 days	30 minutes
12	3 days	1 hour
13	7 days	1 hour
14	7 days	2 hours

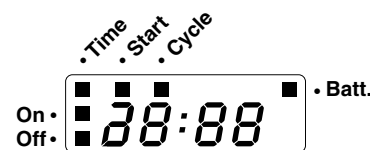
Manual, programming-independent On/Off (man.)

Before and after entering data, you can operate the GARDENA Water Timer electronic T 14 e manually, independent of the programmed data. To do this, press the **man.** key.

Press the MAN key once to activate watering for a maximum of 30 minutes (LCD: **On**). Press the **man.** key again to end watering.

7. Changing the Battery


 To ensure the Water Timer runs safely, only a 9 V alkali-manganese battery (alkaline) type IEC 6LR61 must be used.



If the battery voltage falls below a certain level the **Batt.** indicator appears. It is possible to initiate watering manually even if the battery capacity is too low (valve no longer opens), but programmed watering times, however, are not initiated.

Even if the **battery capacity is too low** to run a program, if the valve is open it will be closed.

The battery voltage is tested **during the opening pulse**. In this way you can **test the capability of the battery at any time**. To do this, simply press the **On/Off-man.** key. If the valve opens and the **Batt.** indicator does not appear then the battery does not have to be changed.

 **Previously set data is lost when replacing the battery. Program the Water Timer subsequently again.**

For notes on changing the battery see "Inserting the Battery".

8. Notes on Safety and Operation

- **The minimum water output to ensure that the Water Computer functions correctly is 20-30 l/h. For example, at least 10 x 2-litre Drip Heads are required to control the Micro-Drip-System.**
- **To prevent water penetrating the battery compartment the Water Timer must only be mounted in a perpendicular position with the sleeve nut pointing upwards.**
- **Program the Water Timer with the tap turned off. In this way you can avoid getting wet when trying out the manual On/Off function. You can remove the control unit from the housing to program the Water Timer.**
- **The Water Timer must only be used outdoors. Warning! The Water Timer must not be used indoors.**
- **The Water Timer must be stored in a dry place away from frost before the frosty season begins.**
- **The max. temperature for the water flow is 40 °C.**

- The minimum operating pressure is 1 bar, the maximum operating pressure is 12 bar.
- Check the filter in the sleeve nut ⑦ regularly and clean if necessary.
- Avoid tensile strain. Do not pull the hose connected to the Water Timer Electronic.
- Only use clear fresh water.

9. Anti-Theft Protection (Fig. D)

To protect your Water Timer against theft, the GARDENA anti-theft protection ⑩ (1815-00.791.00) is available at GARDENA Service. The bracket on the anti-theft protection is fitted onto the back of the unit. Note that the screw included cannot be loosened once it has been screwed in. The bracket can be used, for example, to attach a chain.

10. GARDENA Soil Moisture Sensor (Fig. E)

Together with the GARDENA Soil Moisture Sensor (Art. No. 1187) watering is controlled considering the soil moisture.

Assembly

The Soil Moisture Sensor is connected to the connection socket ⑥ on the back of the control unit (Fig. A).

How it works

If the connected Soil Moisture Sensor indicates there is sufficient moisture then the watering program is either interrupted or not initiated.

Note: Manual watering (function **On/Off-man.**) is still possible.

11. GARDENA Rain Sensor (Fig. F)

Together with the GARDENA Rain Sensor (Art. No. 1189) watering is controlled considering natural precipitation.

Assembly

The Rain Sensor, as an alternative to the Soil Moisture Sensor, can be connected to the connection socket ⑥ on the back of the control unit (Fig. A).

How it works

If the connected Rain Sensor indicates an appropriate amount of rain, the watering program is interrupted or not initiated.

Note: Manual watering (function **On/Off-man.**) is still possible.

12. Faults

Fault	Possible Cause	Remedy
Not able to open the Water Timer using the "On/Off-man." function.	Battery power too low.	Insert a new alkaline battery .
	Tap turned off.	Turn on tap.
Watering not initiated.	Battery power too low.	Insert a new alkaline battery .
	Data input / changes made while the program was starting or immediately before.	Input data or make changes before or after the starting times you have chosen.
	Tap turned off.	Turn on tap.
	Soil Moisture Sensor or Rain Sensor indicate sufficient moisture.	If dry, check setting/ position of the Soil Moisture Sensor or Rain Sensor.
Battery flat after working for a short time.	Not an alkaline battery.	Use an alkaline battery .

If you have any problems with your Water Timer Electronic, please contact our Customer Service or return the defective unit together with a short description of the problem directly to one of the GARDENA Service Centres listed on the back of this leaflet.

If covered under warranty, please include a copy of the receipt.

We expressly point out that, in accordance with the product liability law, we are not liable for any damage caused by our units if it is due to improper repair or if parts exchanged are not original GARDENA parts or parts approved by us, and, if the repairs were not carried out by a GARDENA Service Centre or an authorised specialist. The same applies to spare parts and accessories.

EU Certificate of Conformity

The undersigned

GARDENA Kress + Kastner GmbH · Hans-Lorenser-Str. 40 · D-89079 Ulm

hereby certifies that, when leaving our factory, the unit indicated below is in accordance with the harmonised EU guidelines, EU standards of safety and product specific standards.

This certificate becomes void if the unit is modified without our approval.

Description of the unit:

Water Timer Electronic

Type: T 14 e

Art. No.: 1820

EU directives:

Electromagnetic Compatibility

89/336/EC

Directive 93/68/EC

Year of CE marking:

1999

Ulm, 01.09.1999



Thomas Heini
Technical Dept. Manager

GB

Guarantee

GARDENA honours the guarantee legally required for this product (starting from the date of purchase). This guarantee covers all serious defects of the unit that can be proved to be material or manufacturing faults. Under warranty we will either replace the unit or repair it free of charge if the following conditions apply:

- The unit must have been handled properly and in keeping with the requirements of the operating instructions.
- Neither the purchaser or a non-authorised third party have attempted to repair the unit.
- Defects in the Water Timer attributable to batteries which have been incorrectly installed or are leaking are excluded from the warranty provisions.

This manufacturer's guarantee does not affect the user's existing warranty claims against the dealer/seller.

If you have any problems with your Water Timer, please contact our Customer Service or return the defective unit together with a short description of the problem directly to one of the GARDENA Service Centres listed on the back of this leaflet.

S

Garanti

GARDENA lämnar den enligt Europeisk lag gällande garantin för denna produkt. Garantin gäller från inköpsdatum. Garantin omfattar väsentliga fel på produkten som beror på fabrikations- eller materialfel och som påtalats oss före garantitidens utgång. Garantin innebär utbyte mot en produkt med perfekt funktion eller gratis reparation av den insända produkten om följande villkor är uppfyllda:

- Produkten har använts varsamt och enligt bruksanvisningen.
- Köparen eller någon annan får inte ha försökt reparera produkten.
- Defekter på bevattningstimern som uppstått genom fel insatta eller förbrukade batterier omfattas inte av garantin.

Tillverkarens garanti gäller ej särskilda överenskommelser mellan återförsäljare och köpare.

Vid störningar ber vi dig sända in produkten tillsammans med bevis för inköpet och en felbeskrivning till GARDENA Service.

Deutschland

GARDENA
Kress + Kastner GmbH
Abt. Kundendienst
Hans-Lorenser-Str. 40
D-89079 Ulm
Produktfragen:
(0731) 490-246
Reparaturen:
(0731) 490-290

Argentina

Argensem S.A.
Venezuela 1075
(1618) El Talar -
Buenos Aires

Australia

NYLEX
Corporation Ltd.
25-29 Nepean
Highway
P.O. Box 68
Mentone, Victoria 3194

Austria

GARDENA Österreich
Gesellschaft m.b.H.
Stettnerweg 11-15
2100 Korneuburg

Belgium

MARKT (Belgium)
NV/SA
Sterrebeekstraat 163
1930 Zaventem

Brazil

M. Cassab
Av. das Nações
Unidas, 20.882
Santo Amaro,
CEP 04795-000
São Paulo - S.P.

Bulgaria / България

ДЕНЕКС ООД
бул. „Черни връх“ 43
София 1407

Canada

GARDENA
Canada Ltd.
100 Summerlea Road
Brampton, Ontario
Canada L6T 4X3

Chile

Antonio Martinic
Y CIA. LTDA.
Gilberto Fuenzalida
185 Loc.
Las Condes -
Santiago de Chile

Costa Rica

Compania Exim
Euroiberoamericana
S.A.
350 Sur del
Automercado
Los Yoses
San Pedro

Cyprus

FARMOKIPIKI LTD
P.O. Box 7098
74, Digeni Akrita Ave.
1641 Nicosia

Czech Republic

GARDENA
spol. s.r.o.
Ripská 20
62700 Brno

Denmark

GARDENA
Danmark A/S
Naverland 8
2600 Glostrup

Finland

Habitec Oy
Martinkyläntie 52
01720 Vantaa

France

GARDENA France
Service Après-Vente
BP 50080
95948 ROISSY CDG
Cedex

Great Britain

GARDENA UK Ltd.
27-28 Brenkley Way
Bleazard Business Park
Seaton Burn
Newcastle upon Tyne
NE13 6DS

Greece

Agrokip
G. Psomadopoulos
& Co.
20, Lykourgou str.
Kallithea
Athens

Hungary

GARDENA
Magyarország Kft.
Késmárk utca 22
1158 Budapest

Iceland

Heimilistaeki hf
Saetun 8
P.O. Box 5340
125 Reykjavik

Republic of Ireland

Michael McLoughlin
& Sons
Hardware Limited
Long Mile Road
Dublin 12

Italy

GARDENA Italia S.r.l.
Via Donizetti 22
20020 Lainate (Mi)

Japan

KAKUDAI
Mfg. Co. Ltd.
1-4-4, Itachibori
Nishi-ku
Osaka 550

Luxembourg

Magasins
Jules Neuberg
Grand Rue 30
Case Postale No. 12
Luxembourg 2010

Netherlands

MARKT (Holland) BV
Postbus 219
1380 AE Weesp

Neth. Antilles

Jonka Enterprises N.V.
Sta. Rosa Weg 196
P.O. Box 8200
Curaçao

New Zealand

NYLEX
New Zealand Limited
Private Bag 94001
South Auckland
Mail Centre
10 Offenhauser Drive
East Tamaki, Manukau

Norway

GARDENA
Norge A/S
Postboks 214
2013 Skjetten

Poland

GARDENA
Polska Sp. z o.o.
Szymanów 9 d
05-532 Baniocha

Portugal

MARKT
(Portugal), Lda.
Recta da Granja
do Marquês
Edif. GARDENA
Algueirão
2725-596 Mem Martins

Russia / Россия

АО АМИДА ТТЦ
ул. Мосфильмовская 66
117330 Москва

Singapore

Variware
Holland Road
Shopping Centre
227-A 1st Fl., Unit 29
Holland Avenue
Singapore 1027

Slowenia / Croatia

Silk d.o.o. Trgovina
Brodlišče 15
1236 Trzin

South Africa

GARDENA
South Africa (Pty.) Ltd.
P.O. Box 11534
Vorna Valley 1686

Spain

ANMI
Andreu y Miriam S.A.
Calle Pere IV, 111
08018 Barcelona

Sweden

GARDENA
Svenska AB
Box 9003
20039 Malmö

Switzerland

GARDENA
Kress + Kastner AG
Bitziberg 1
8184 Bachenbülach

Ukraine / Украина

АОЗТ АЛЬЦЕСТ
ул. Гайдара 50
г. Киев 01033

Turkey

Dost Diş Ticaret
Müessillik A.Ş.
Yeşilbağlar Mah. Başkent
Cad. No. 26
Pendik - İstanbul

USA

GARDENA
3085 Shawnee Drive
Winchester VA 22604

1820-28.960.03/0011
GARDENA
Kress + Kastner GmbH
Postfach 27 47
D-89070 Ulm
<http://www.gardena.de>

Free Manuals Download Website

<http://myh66.com>

<http://usermanuals.us>

<http://www.somanuals.com>

<http://www.4manuals.cc>

<http://www.manual-lib.com>

<http://www.404manual.com>

<http://www.luxmanual.com>

<http://aubethermostatmanual.com>

Golf course search by state

<http://golfingnear.com>

Email search by domain

<http://emailbydomain.com>

Auto manuals search

<http://auto.somanuals.com>

TV manuals search

<http://tv.somanuals.com>