

Art. 7944

- D** **Gebrauchsanweisung**
Eisfreihalter IP 300

- GB** **Operating Instructions**
Anti-Frost Pump IP 300

- F** **Mode d'emploi**
Pompe stop-glace IP 300

- NL** **Gebruiksaanwijzing**
IJsvrijhouder IP 300

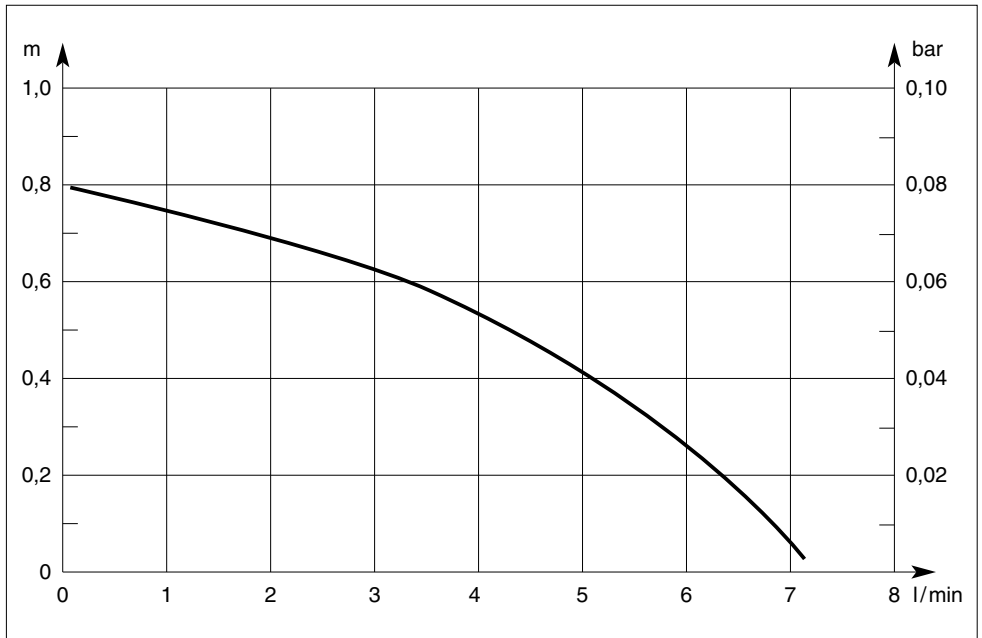
- S** **Bruksanvisning**
Vinterpump IP 300

- I** **Istruzioni per l'uso**
Set antigelo per laghetti IP 300

- E** **Manual de instrucciones**
Bomba anti-heladas IP 300

- P** **Instruções de manejo**
Bomba anti congelamento IP 300

- DK** **Brugsanvisning**
Pumpe til isfri vand IP 300



GARDENA Anti-Frost Pump IP 300

Welcome to GARDENA aquamotion ...



Please read these operating instructions carefully and observe the notes given.

Use the instructions to familiarise yourself with the equipment, the operating controls, their correct use, and the notes on safety.

For safety reasons, children under 16 as well as persons not familiar with these operating instructions should not use this pump.

Keep these operating instructions in a safe place.

The Applications Range of Your Pump

Intended purpose

GARDENA Anti-Frost Pumps have been designed for private use around your house. They are not designed for operating watering tools and systems.

Attention

⚠ GARDENA Anti-Frost Pumps have not been designed for constant use in the industrial sector. Corrosive, easily combustible, aggressive or explosive substances (e.g. petrol, petroleum, nitro thinner) as well as salt-water or food / drinking water must not be pumped.



For Your Safety

Operating the pump

The pump should be operated via a residual current device with a residual current rating of ≤ 30 mA (DIN VDE 0100-702 and 0100-738). The pump must be placed on solid, even ground. Please ask your electrician for his advice.

Mains power cables

Mains power cables should not have a smaller cross-section than a rubber sheathed cable of the designation H05 RNF. Extension cables must meet the requirements of DIN VDE 0620.

For Austria

In Austria power cables should correspond to ÖVE-EM 42, T2 (2000)/1979 § 22 according to § 2022.1. According to this standard pumps used in swimming pools and ponds should only be operated via an isolating transformer. Please contact your electrician.

For Switzerland

In Switzerland mobile appliances which are used outdoors, must be connected via a residual-current device.

Visual check

Before operating the pump, look to see if there is any damage of the pump (esp. regarding power cable and plug). A damaged pump must not be used. In case of damage, please have the pump checked by our GARDENA Service Centre or by an authorised electrician.

Check line voltage

Check line voltage. Data indicated on the type plate must match technical data of the mains supply.

Do not operate pump when there are people in the water

The pump must not be operated when there are people in the water.

Swimming pools and garden ponds

Swimming pools and garden ponds should be designed according to international and national design regulations. Please consult a professional electrician.

Do not use power cable to carry the pump

Do not use the power cable to carry the pump or to pull the plug out of the socket. Protect the power cable from heat, oil and sharp edges.

Disconnect plug

Please unplug the pump after operation and before carrying out any maintenance works.

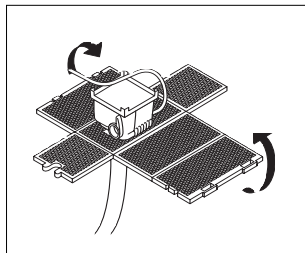
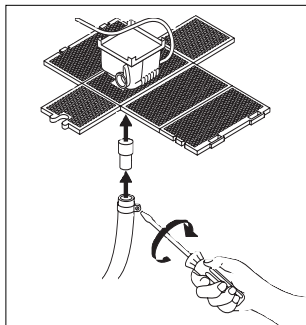
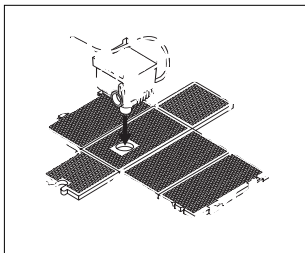
Temperature of the liquid used

The temperature of the liquid used should not exceed 35 °C.

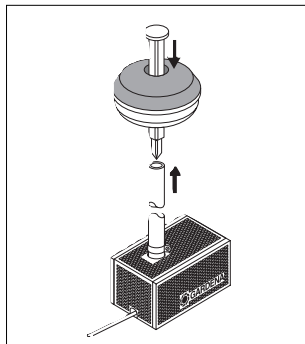
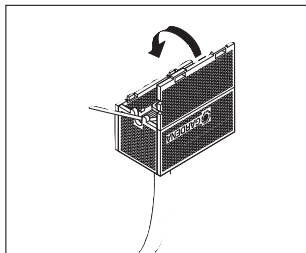
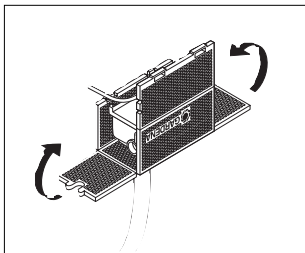
Wear and reduced output

Sand and other abrasive substances in the liquid cause increased wear and reduce the output of the pump.

Assembly



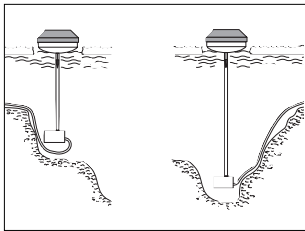
- Push the pressure joint of the pump from the inside through the opening of the folding filter (the pump volume regulator must be set at “max.”).
- Push the hose end adaptor from the outside onto the pressure joint. Push the hose onto the hose end adaptor and fix it with the hose clip. If necessary, straighten the hose in warm water.
- Then re-fold the folding filter.



- Put the cover onto the float.
- Push the pointed rods through the holes of the cover and of the float and then push the hose over the pointed rod.
- Now put the pump into the pond as described in the paragraph "Operation".

Operation

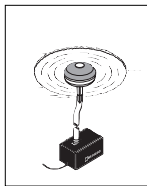
Positioning the pump



Pay attention to minimum water depth

Starting the pump

- The Anti-Frost Pump must be able to float freely. (Minimum water depth: 40 cm)
- The pump should be submerged as far as possible into the water (about 10 to 15 cm above the bottom of the pond).
→ If necessary shorten the hose to do this!
- The pump must always be below the ice sheet.
- The hose should be straightened out.
- Run the power cable so that is protected against damage caused by frost and snow.



Make sure that the water depth is at least about 40 cm deep!

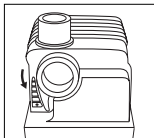
If you expect frosty conditions connect the power cable to a 230 V AC socket.

⚠ Caution! Pump will start running immediately!

Note:

Under very frosty conditions you must run the pump constantly and check that it is working.

Capacity control



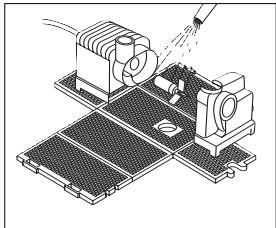
Set the control on maximum flow for the circulation process by turning the volume control anti-clockwise to the limit stop.

Avoid dry operation

Avoid dry operation of the pump as dry running will produce undesirable heat and destroy the pump.

Care Instructions

Cleaning the folding filter



The folding filter and the pump should be cleaned regularly.

How to clean :

- Disconnect the plug!
- Remove the pump from the water.
- Open the folding filter.
- Pull the pump casing and the rotor completely to the front and remove it from the pump.
- Now clean the folding filter and the pump fittings.
- Then replace the rotor followed by the pump casing.
- Fold up the folding filter and put the pump into your pond.

Information: Do not use any hard objects or strong detergents!

Blocked feed impeller

If the feed impeller becomes blocked, the pump should be cleaned (see above).

Storage

Where to store

- Clean and check the pump carefully.
- Store the pump in a frost-free place.
- Put the pump in a container filled with water.

⚠ The plug must not be submerged.

⚠ The pump should be stored out of the reach of children.

Information

Complaints/Repairs

If you have any problems with your Anti-Frost Pump, please contact our Service or return the defective unit together with a short description of the problem – in case of guarantee, with a copy of the receipt – postage paid to one of the GARDENA Service Centres listed on the back of this leaflet.

Product liability

We expressly point out that, in accordance with the product liability law, we are not liable for any damage caused by our units if it is due to improper repair or if parts exchanged are not original GARDENA parts or parts approved by us, and, if the repairs were not carried out by a GARDENA Service Centre or an authorised specialist. The same applies to spare parts and accessories.

Technical Data

Type	IP 300
Art. No.	7944
Rated power	4.5 W
Flow	300 l/h
Max. delivery head	0.7 m
Max. submersion depth	1.0 m
Power cable	10 m H05 RNF
Max. media temperature	35 °C
Mains voltage	230 V
Frequency	50 Hz
Noise level $L_{WA}^{1)}$	48 dB(A)

1) Measuring method according to EN 60335-1

EU Certificate of Conformity

The undersigned

GARDENA Manufacturing GmbH · Hans-Lorensen-Str. 40 · D-89079 Ulm

hereby certifies that, when leaving our factory, the unit indicated below is in accordance with the harmonised EU guidelines, EU standards of safety and product specific standards.

This certificate becomes void if the unit is modified without our approval.

Description of the unit:

Anti-Frost Pump

Type:

IP 300

Art. No.:

7944

EU directives:

Machinery Directive 98/37/EC

Electromagnetic Compatibility

89/336/EC

Low Voltage Directive

73/23/EC

Directive 93/68/EC

Harmonised

European standards:

EN 292-1

EN 292-2

EN 60335-1

EN 60335-2-41

Year of CE marking:

1999

Ulm, 01.06.1999



Thomas Heintl

Technical Dept. Manager

Guarantee

GARDENA guarantees this product for 3 years (from date of purchase). This guarantee covers all serious defects of the unit that can be proved to be material or manufacturing faults. Under warranty we will either replace the unit or repair it free of charge if the following conditions apply:

- The unit must have been handled properly and in keeping with the require-

Disposal:

*(in accordance with
RL2002/96/EC)*



ments of the operating instructions. Neither the purchaser or a non-authorized third party have attempted to repair the unit.

The feed impeller is a wearing part and is not covered by the warranty.

This manufacturer's guarantee does not affect the user's existing warranty claims against the dealer/seller.

The product must not be added to normal household waste. It must be disposed of in line with local environmental regulations.

In the event of a fault, please send the defective unit together with the receipt and a description of the fault, postage paid, to one of the GARDENA Service Centres on the back of this page.

Serviceadressen

Service Centre Addresses

Adresses de Services Après-Vente

Serviceadressen

Serviceadresser

Indirizzi dei Centri di Assistenza

Direcciones del Servicio de Asistencia al Cliente

Endereços da assistência técnica

Serviceadresser

Deutschland / Germany

GARDENA
Manufacturing GmbH
Service Center
Hans-Lorenser-Straße 40
D-89079 Ulm
Produktfragen:
(+49) 731 490-123
Reparaturen:
(+49) 731 490-290
service@gardena.com

Argentina

Argensem® S.A.
Calle Colonia Japonesa s/n
(1625) Loma Verde
Escobar, Buenos Aires
Phone: (+54) 34 88 49 40 40
info@argensem.com.ar

Australia

Nylex Consumer Products
50-70 Stanley Drive
Somerton, Victoria, 3062
Phone: (+61) 3 95 81 05 34
nylex.spareparts@
nylex.com.au

Austria / Österreich

GARDENA
Österreich Ges.m.b.H.
Stettnerweg 11-15
2100 Korneuburg
Tel.: (+43) 22 62 7 45 45 36
kundendienst@gardena.at

Belgium

GARDENA Belgium NV/SA
Sterrebeekstraat 163
1930 Zaventem
Phone: (+32) 2 7 20 92 12
Mail: info@gardena.be

Brazil

Palash Comércio e
Importação Ltda.
Rua Américo Brasiliense,
2414 - Chácara Sto Antonio
São Paulo - SP - Brasil -
CEP 04715-005
Phone: (+55) 11 5181-0909
eduardo@palash.com.br

Bulgaria

DENEX LTD.
2 Luis Ahalier Str. - 7th floor
Sofia 1404
Phone: (+359) 2 958 18 21
office@denex-bg.com

Canada

GARDENA Canada Ltd.
100 Summerlea Road
Brampton, Ontario L6T 4X3
Phone: (+1) 905 792 93 30
info@gardenacanada.com

Chile

Antonio Martinic y Cia Ltda.
Cassillas 272
Centro de Cassillas
Santiago de Chile
Phone: (+56) 2 20 10 708
garfar_cl@yahoo.com

Costa Rica

Compania Exim
Euroiberoamericana S.A.
Los Colegios, Moravia,
200 metros al Sur del Colegio
Saint Francis - San José
Phone: (+506) 297 68 83
exim_euro@racsa.co.cr

Croatia

KLIS d.o.o.
Stanciceva 79
10419 Vukovina
Phone: (+385) 1 622 777 0
gardena@klis-trgovina.hr

Cyprus

FARMOKIPIKI LTD
P.O. Box 7098
74, Digeni Akrita Ave.
1641 Nicosia
Phone: (+357) 22 75 47 62
condam@spidernet.com.cy

Czech Republic

GARDENA spol. s r.o.
Řípská 20 a, č.p. 1153
627 00 Brno
Phone: (+420) 800 100 425
gardena@gardenabrno.cz

Denmark

GARDENA Norden AB
Salgsafdeling Danmark
Box 9003
S-200 39 Malmö
info@gardena.dk

Finland

Habitec Oy
Martinkyläntie 52
01720 Vantaa

France

GARDENA
PARIS NORD 2
69, rue de la Belle Etoile
BP 57080
ROISSY EN FRANCE
95948 ROISSY CDG CEDEX
Tél. (+33) 0826 101 455
service.consommateurs@
gardena.fr

Great Britain

GARDENA UK Ltd.
27-28 Brenkley Way
Bleazard Business Park
Seaton Burn
Newcastle upon Tyne
NE13 6DS
info@gardena.co.uk

Greece

Agrokip
G. Psomadopoulos & Co.
33 A, Ifestou str. –
Industrial Area
194 00 Koropi, Athens
Phone: (+30) 210 66 20 225
service@agrokip.gr
www.agrokip.gr

Hungary

GARDENA
Magyarország Kft.
Késmárk utca 22
1158 Budapest
Phone: (+36) 80 20 40 33
gardena@gardena.hu

Iceland

Ó. Johnson & Kaaber
Tunguhalsi 1
110 Reykjavik
ooj@ojk.is

Ireland

Michael McLoughlin & Sons
Hardware Limited
Long Mile Road
Dublin 12

Italy

GARDENA Italia S.p.A.
Via Donizetti 22
20020 Lainate (Mi)
Phone: (+39) 02.93.94.79.1
info@gardenaitalia.it

Japan

KAKUICHI Co. Ltd.
Sumitomo Realty &
Development Kojimachi
BLDG., 8F
5-1 Nibanncyo, Chiyoda-ku
Tokyo 102-0084
m_ishihara@kaku-ichi.co.jp
Phone: (+81) 33 264 4721

Luxembourg

Magasins Jules Neuberger
Boîte postale 12
L-2010 Luxembourg
Phone: (+352) 40 14 01
info@neuberger.lu

Netherlands

GARDENA Nederland B.V.
Postbus 50176
1305 AD ALMERE
Phone: (+31) 36 521 00 00
info@gardena.nl

Neth. Antilles

Jonka Enterprises N.V.
Sta. Rosa Weg 196
P.O. Box 8200, Curaçao
Phone: (+599) 9 767 66 55
pgm@jonka.com

New Zealand

NYLEX New Zealand Limited
22 Saleyards Road Otahuhu
Private Bag 94001
SAMC Manukau
Phone: (+64) 9 270 1806
david.eeles@nylex.com.au

Norway

GARDENA Norden AB
Salgskontor Norge
Karihaugveien 89
1086 Oslo
info@gardena.no

Poland

GARDENA Polska Sp. z o.o.
Szymanów 9 d
05-532 Baniocza
Phone: (+48) 22 727 56 90
gardena@gardena.pl

Portugal

GARDENA Portugal Lda.
Recta da Granja do Marquês
Edif. GARDENA Algueirão
2725-596 Mem Martins
Phone: (+351) 21 922 85 30
info@gardena.pt

Romania

MADEX INTERNATIONAL SRL
Soseaua Odaii 117-123,
Sector 1,
București, RO 013603
Phone: (+40) 21 231 76 03
madex@ines.ro

Russia / Россия

АО АМИДА ТТЦ
ул. Мосфилмовская 66
117330 Москва
Phone: (+7) 095 956 99 00
amida@col.ru

Singapore

Hy - Ray PRIVATE LIMITED
1002 Toa Payoh
Industrial Park
#07-1433/1435/1451
Singapore 319074
Phone: (+65) 6253 2277
hyray@singnet.com.sg

Slovak Republic

GARDENA Slovensko, s.r.o.
Bohrova č. 1
85101 Bratislava
Phone: (+421) 263 453 722
info@gardena.sk

Slovenia

Silk d.o.o.
Brodišče 15
1236 Trzin
Phone: (+386) 1 580 93 00
gardena@silk.si

South Africa

GARDENA
South Africa (Pty.) Ltd.
P.O. Box 11534
Vorna Valley 1686
Phone: (+27) 11 315 02 23
sales@gardena.co.za

Spain

GARDENA IBÉRICA S.L.U.
C/ Basauri, nº 6
La Florida
28023 Madrid
Phone: (+34) 91 708 05 00
(4 líneas)
atencioncliente@gardena.es

Sweden

GARDENA Norden AB
Försäljningskontor Sverige
Box 9003
200 39 Malmö
info@gardena.se

Switzerland / Schweiz

GARDENA (Schweiz) AG
Bitziberg 1
8184 Bachenbülach
Phone: (+41) 1 860 26 66
info@gardena.ch

Turkey

GARDENA / Dost Diş Ticaret
Mümessillik A.Ş. Sanayi
Çad. Adil Sokak No. 1
Kartal - İstanbul
Phone: (+90) 216 38 93 939
info@gardena-dost.com.tr

Ukraine / Украина

АОЗТ АЛЬЦЕСТ
ул. Гайдара 50
г. Киев 01033
Phone: (+380) 44 220 4335
info@gardena.ua

USA

Melnor Inc.
3085 Shawnee Drive
Winchester, VA 22604
Phone: (+1) 540 722-9080
service_us@melnor.com

7944-20.960.05/0805
© GARDENA
Manufacturing GmbH
D-89070 Ulm
<http://www.gardena.com>

Free Manuals Download Website

<http://myh66.com>

<http://usermanuals.us>

<http://www.somanuals.com>

<http://www.4manuals.cc>

<http://www.manual-lib.com>

<http://www.404manual.com>

<http://www.luxmanual.com>

<http://aubethermostatmanual.com>

Golf course search by state

<http://golfingnear.com>

Email search by domain

<http://emailbydomain.com>

Auto manuals search

<http://auto.somanuals.com>

TV manuals search

<http://tv.somanuals.com>