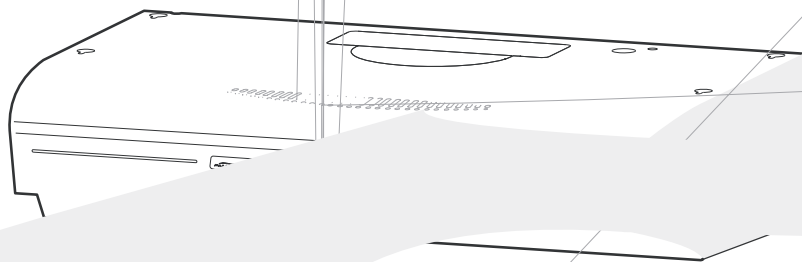


Use & Care Manual

Frigidaire 
ELEMENTS

Range Hood

Models: LFEV30FE/LFEV36FE



Questions call **1-800-944-9044** (United States)

1-800-668-4606 (Canada)

Visit the Frigidaire Elements Web Site at:
<http://www.frigidaireelements.com>

Welcome & Congratulations

Congratulations on your purchase of a new range hood! At **Electrolux Home Products**, we are very proud of our product and are completely committed to providing you with the best service possible. Your satisfaction is our number one priority.

We know you'll enjoy your new range hood and **Thank You** for choosing our product. We hope you consider us for future purchases.

PLEASE CAREFULLY READ AND SAVE THESE INSTRUCTIONS

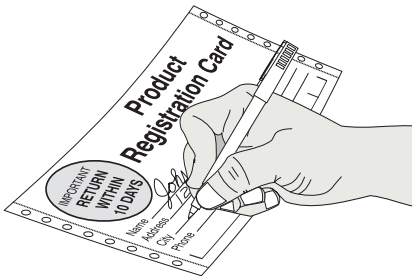
This Use & Care Manual provides specific operating instructions for your model. Use your range hood only as instructed in this manual. These instructions are not meant to cover every possible condition and situation that may occur. Common sense and caution must be practiced when installing, operating and maintaining any appliance.

Please record your model and serial numbers below for future reference.

Model Number: _____

Serial Number: _____

Purchase Date: _____



Product Registration

Register Your Product

The self-addressed **PRODUCT REGISTRATION CARD** should be filled in completely, signed and returned to Electrolux Home Products.

This Use & Care Manual contains general operating instructions for your range hood and feature information for several models. Your hood **may not** have all the described features. The graphics shown are representational. The graphics on your range may not look exactly like those shown.

Important Safety Instructions

READ AND SAVE THESE INSTRUCTIONS

FOR DOMESTIC COOKING ONLY

WARNING



TO REDUCE THE RISK OF FIRE, ELECTRIC SHOCK, OR INJURY TO PERSONS, OBSERVE THE FOLLOWING:

1. Use this unit only in the manner intended by the manufacturer. If you have questions, contact the manufacturer at the address or telephone number listed in the warranty.
2. Before servicing or cleaning unit, switch power off at service panel and lock the service disconnecting means to prevent power from being switched on accidentally. When the service disconnecting means cannot be locked, securely fasten a prominent warning device, such as a tag, to the service panel.
3. Installation work and electrical wiring must be done by a qualified person(s) in accordance with all applicable codes and standards, including fire-rated construction codes and standards.
4. Sufficient air is needed for proper combustion and exhausting of gases through the flue (chimney) of fuel burning equipment to prevent backdrafting. Follow the heating equipment manufacturer's guideline and safety standards such as those published by the National Fire Protection Association (NFPA), and the American Society of Heating, Refrigeration and Air Conditioning Engineers (ASHRAE), and the local code authorities.
5. When cutting or drilling into wall or ceiling, do not damage electrical wiring and other hidden utilities.
6. To reduce the risk of fire or electric shock, do not use this range hood with an additional speed control device.
7. Ducted fans must always be vented to the outdoors.
8. To reduce the risk of fire, use only metal ductwork.
9. Use with approved cord-connection kit only.
10. This unit must be grounded.

TO REDUCE THE RISK OF A RANGE TOP GREASE FIRE:

1. Never leave surface units unattended at high settings. Boilovers cause smoking and greasy spillovers that may ignite. Heat oils slowly on low or medium settings.
2. Always turn hood ON when cooking at high heat or when cooking flaming foods.
3. Clean ventilating fans frequently. Grease should not be allowed to accumulate on fan or filter.
4. Use proper pan size. Always use cookware appropriate for the size of the surface element.

TO REDUCE THE RISK OF INJURY TO PERSONS IN THE EVENT OF A RANGE TOP GREASE FIRE, OBSERVE THE FOLLOWING:*

1. SMOTHER FLAMES with a close-fitting lid, cookie sheet, or metal tray, then turn off the burner. BE CAREFUL TO PREVENT BURNS. If the flames do not go out immediately, EVACUATE AND CALL THE FIRE DEPARTMENT.
2. NEVER PICK UP A FLAMING PAN — You may be burned.
3. DO NOT USE WATER, including wet dishcloths or towels - violent steam explosion will result.
4. Use an extinguisher ONLY if:
 - A. You know you have a Class ABC extinguisher and you already know how to operate it.
 - B. The fire is small and contained in the area where it started.
 - C. The fire department is being called.
 - D. You can fight the fire with your back to an exit.

* Based on "Kitchen Fire Safety Tips" published by NFPA.

CAUTION



1. For general ventilating use only. Do not use to exhaust hazardous or explosive materials and vapors.
2. To avoid motor bearing damage and noisy and/or unbalanced impellers, keep drywall spray, construction dust, etc. off power unit.
3. For best capture of cooking impurities, your range hood should be mounted so that the top of the hood is 24-30" above the cooking surface.
4. Please read specification label on product for further information and requirements.

Installer: Leave this manual with the homeowner.

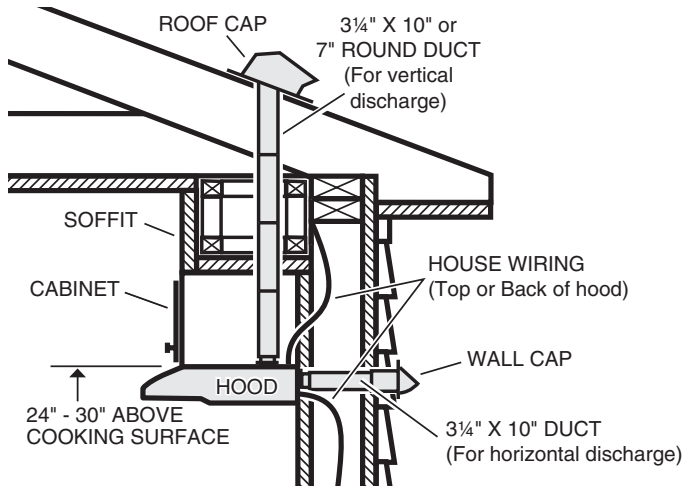
Homeowner: Operating and Cleaning information on page 8.

NOTE

If hood is to be installed Non-Ducted:

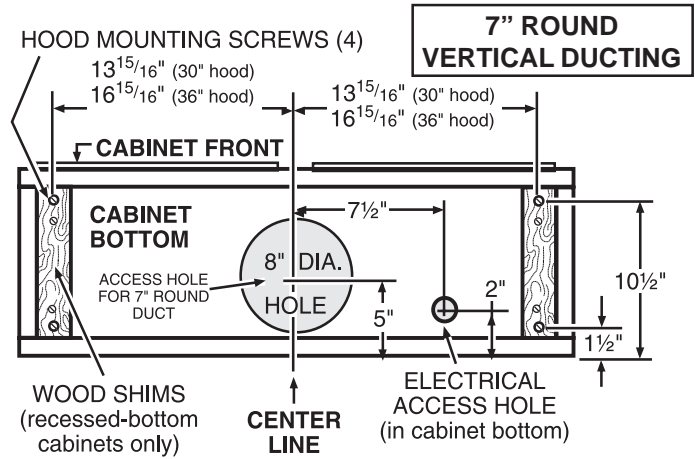
- Purchase a set of (2) non-ducted filters from your local distributor or retailer and attach them to the aluminum mesh filters.

PREPARE HOOD LOCATION



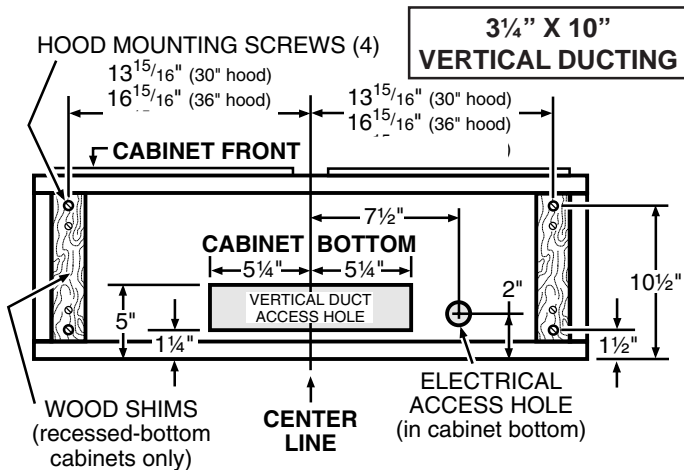
- 1 Determine whether hood will discharge vertically (3 1/4" x 10" or 7" Round), or horizontally (3 1/4" x 10" only). For vertical or horizontal discharge, run ductwork between the hood location and a roof cap or wall cap. For best results, use a minimum number of transitions and elbows.
- 2 Use diagrams, below, for proper placement of ductwork and electrical cutout in cabinet or wall. For a non-ducted installation, DO NOT cut a duct access hole.

PREPARE HOOD LOCATION

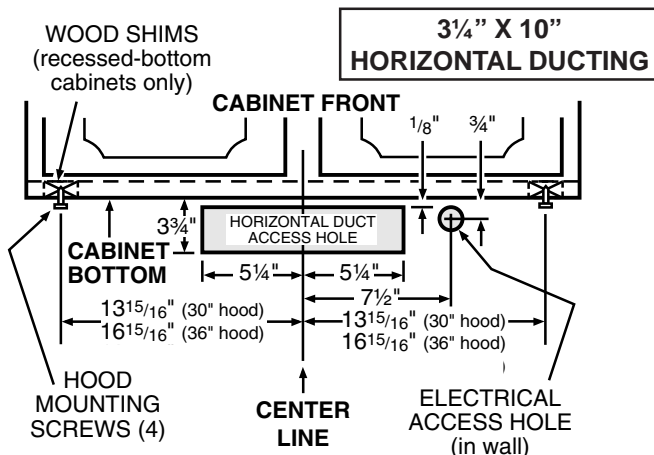


- 3 Run house wiring between service panel and hood location.

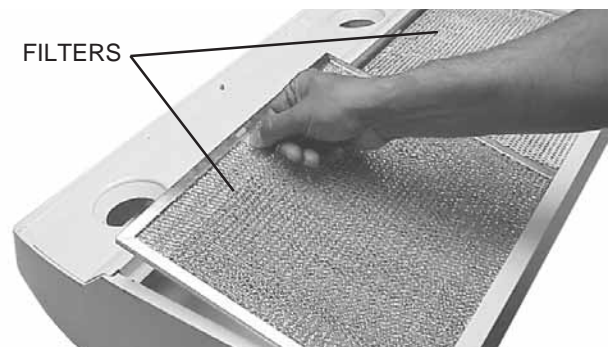
PREPARE THE HOOD



- 1 Remove 7" Round Duct Plate from top of hood. Set duct plate aside - with mounting screws.



- 2 Remove tape holding Filters in place. Pull down on filter tabs or finger holes and lift filters out. Set filters aside.



PREPARE THE HOOD

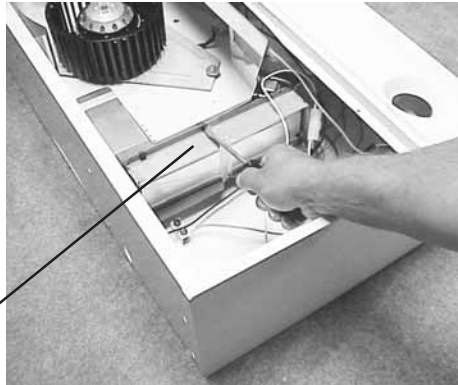
- 3** Remove **Teflon®-coated bottom cover** from hood. Set cover and mounting screws aside.

Teflon® is a registered trademark of DuPont.



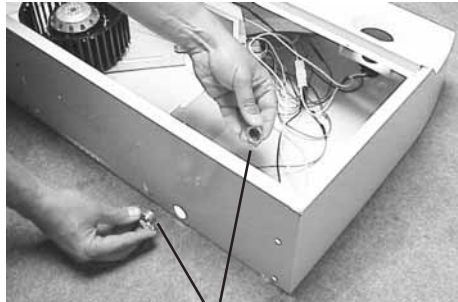
TEFLON®-COATED BOTTOM COVER
(Held in place with 2 screws)

- 4** Remove **Damper/Duct Connector** from inside the hood. Set connector aside - with mounting screws and parts bag.



DAMPER/
DUCT
CONNECTOR

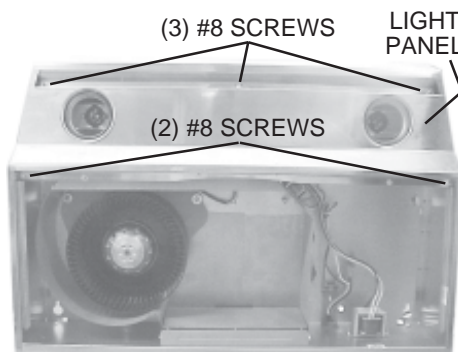
- 5** Remove either top or back wiring knockout and install approved **Electrical Cable Clamp**.



ELECTRICAL CABLE CLAMP

Non-Ducted Installation - Skip to Step 15.

The following Steps (6 thru 14) are for DUCTED INSTALLATION ONLY.

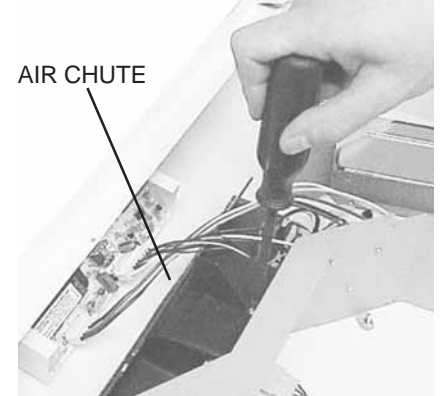


- 6** Remove **Light Panel** - held in place with (3) #8 screws and (2) #8 screws. Disconnect light assembly wire harness (white connector).

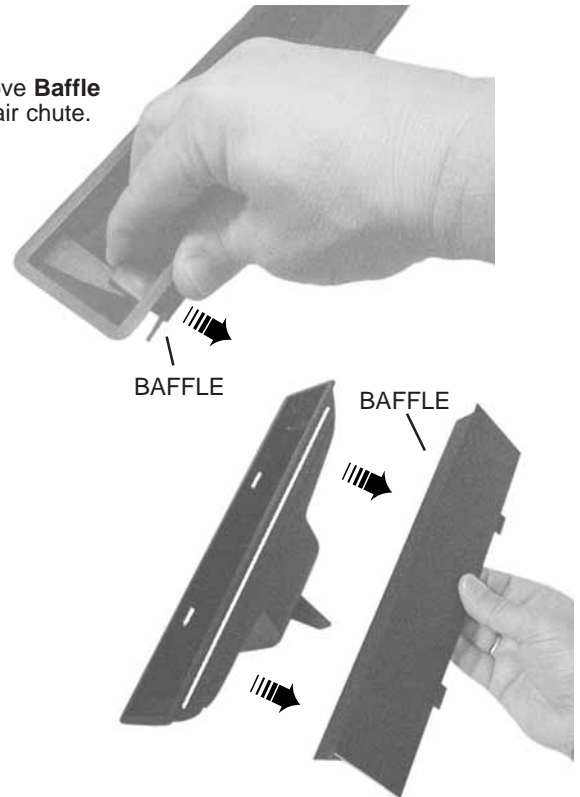
PREPARE THE HOOD

- 7** Remove **Air Chute** - held in place with one (1) screw.

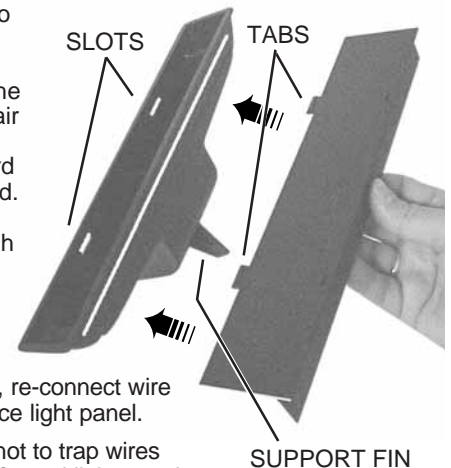
NOTE: Be careful not to disconnect any wires.



- 8** Remove **Baffle** from air chute.



- 9** Rotate baffle. Reinsert baffle into air chute (as shown) so that baffle **tabs** fit all the way into **slots** in air chute. An audible "click" will be heard when fully installed. This will close off the air flow through the non-ducted slots on top of hood.



- 10** Re-install air chute, re-connect wire harness, and replace light panel.

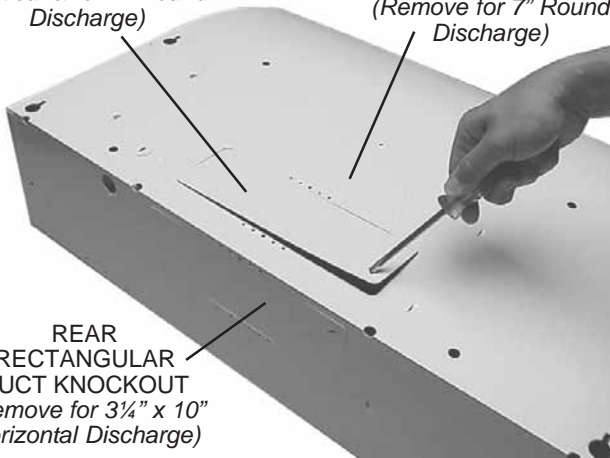
NOTE: Be careful not to trap wires between **support fin** and light panel.

PREPARE THE HOOD

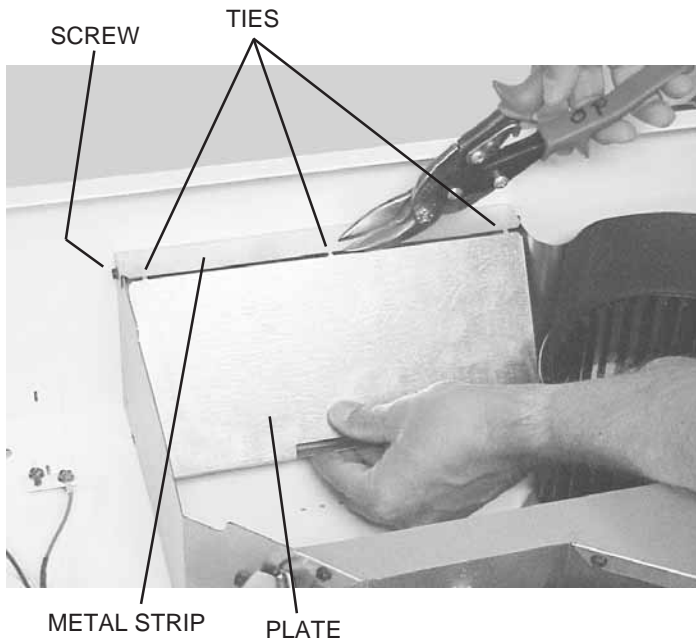
TOP RECTANGULAR
DUCT KNOCKOUT
(Remove for 3¼" x 10"
Vertical & for 7" Round
Discharge)

SEMI-CIRCULAR
DUCT KNOCKOUT
(Remove for 7" Round
Discharge)

REAR
RECTANGULAR
DUCT KNOCKOUT
(Remove for 3¼" x 10"
Horizontal Discharge)



11 Remove appropriate **Duct Knockout(s)** from top or back of hood.



12 Horizontal Discharge Only: Remove the **Plate** in front of the horizontal discharge knockout. Cut the **Ties**, lift plate out, and discard plate. **DO NOT REMOVE** the **Metal Strip** held in place with two **Screws**.

PREPARE THE HOOD

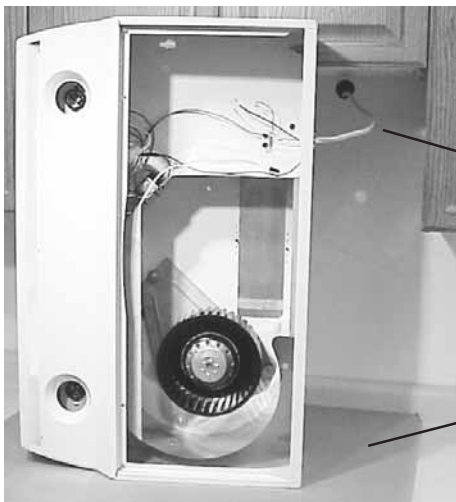
13 3¼" x 10" Ducted Discharge Only: Remove **Tape**

14 7" Round Ducted Discharge Only: Re-install 7" **Round Duct Plate** removed in Step #1 under "PREPARE THE HOOD". Install a 7" round damper (purchase separately). Damper flap must open freely in direction of airflow (away from range hood).

CONNECT WIRING



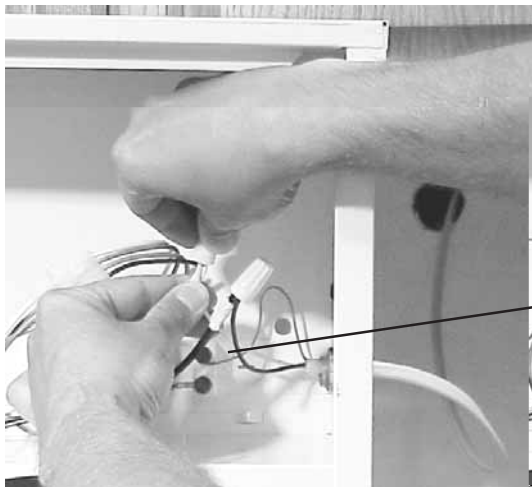
WARNING: To reduce the risk of electric shock, make sure power is switched off at the service panel. Lock or tag service panel to prevent power from being switched on accidentally.



HOUSE
WIRING
(120 VAC)

CARDBOARD
(Use to protect
cooktop)

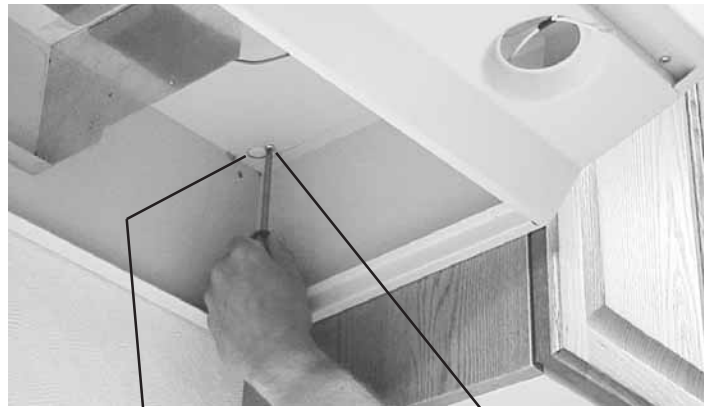
- 1 Connect **House Wiring** (120 VAC) to hood. Use a piece of **Cardboard** to protect the cooktop, if necessary.



GREEN
GROUND
SCREW

- 2 Connect house black to hood black wire, house white to hood white wire, and house ground under **Green Ground Screw**. Securely tighten cable clamp onto house wiring.

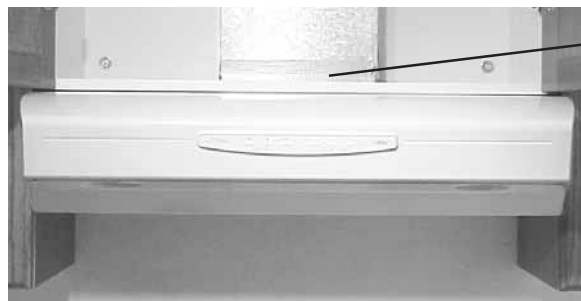
INSTALL HOOD



KEYHOLE (4)

MOUNTING SCREW (4)

- 1 Hang hood from (4) **Mounting Screws**. Slide hood towards wall until mounting screws are engaged in narrow end of (4) **Keyholes**. Tighten mounting screws securely. A long screwdriver works best.
- 2 Replace bottom cover.



DUCT
TAPE

- 3 Connect ductwork to hood. Use **Duct Tape** to make joints secure and air tight.



PAR20,
50W MAX.
HALOGEN
BULB (2)
- or -
R16,
40W MAX.
INCANDESCENT
BULB (2)

- 4 Install (2) PAR20, 50 W Maximum **Halogen Bulbs** or (2) R16, 40 W Maximum **Incandescent Bulbs**. Purchase bulbs separately.



CAUTION: Bulbs may be hot! Refer to bulb packaging for further information.

- 5 Replace filters, turn on power at service panel, and test for proper operation.

NON-DUCTED FILTERS

If hood is to be installed Non-Ducted:

Purchase a set of (2) Non-Ducted Filters from your local distributor or retailer and attach them to the aluminum mesh filters.

NOTE: For models that are installed in the non-ducted mode, the most effective operation is achieved at speeds 1 and 2. These speeds provide the most efficient and quiet operation during cooking, while maximizing the benefits of the recirculating filtration system.

OPERATION



Fan and Lights: 3 push button switches for each. Push any button to select one of 3 fan speeds or one of 3 light levels. Push the same button to turn fan or light off. Press another button to change fan speed or light level. A light above each fan button indicates the fan speed.

Heat Sentry: Your range hood is equipped with the Heat Sentry feature, which monitors temperature. The Heat Sentry will automatically turn the fan on at its highest speed when the temperature is above normal.

- 1) If a fan setting is selected when the Heat Sentry is on, the light above the fan button will flash on and off.
- 2) If the fan setting is off when the Heat Sentry is on, the light above fan button 3 will flash on and off rapidly.

After the temperature has lowered to normal, the fan will change to the setting prior to the Heat Sentry turning on.

Fuse: The hood control contains a fuse to protect it from power surges. If the fuse has opened (blown), the green fan-level indicators will operate properly when the fan buttons/switches are pressed - but the fan and lights will not turn on.

The fuse is a 5 x 20 mm, 10 Amp, Fast-Acting, 125V (min.). Common manufacturer and part numbers are: Littelfuse, 217010; Bussmann, GMA10A; Wickmann, 1942100. Radio Shack, Digikey (1-800-344-4539), and most electronic supply stores have them in stock.

To replace the fuse:

1. Disconnect power at service entrance.
2. Remove filters, bottom panel, light wire harness, and air chute.
3. Remove and inspect fuse. If it is not open (blown), additional diagnostics need to be done.
4. Install new fuse.
5. Re-assemble air chute, light wire harness, bottom panel, and filters.
6. Turn on power and check hood/control operation.

CLEANING



WARNING: To reduce the risk of electric shock, disconnect from power supply before cleaning.

Aluminum mesh filters: Clean frequently using hot water and a mild detergent. Filters are dishwasher safe.

Charcoal filters: Clean filter surfaces frequently with a damp cloth and a mild detergent. DO NOT immerse filters in water or put in dishwasher. The special "Clean Sense" feature indicates when the filter is to be replaced. The blue and yellow strips will blend to green when it is time to change the filter. The "Clean Sense" feature works best when facing toward the cooking surface.

To clean hood: Remove filters. Use a damp cloth and a mild detergent to wipe all grease-laden surfaces. Do not use abrasive cloth, steel wool pads, or scouring powder on the Teflon®-coated bottom cover or on any painted surface. Use care when cleaning blower wheel - it must not become bent or misaligned. DO NOT ALLOW WATER TO ENTER MOTOR. Make sure all surfaces are completely dry before re-installing filters and restoring power.

Motor is permanently lubricated. Do not oil or disassemble motor.

Teflon® is a registered trademark of DuPont.

SERVICE PARTS

KEY NO.	DESCRIPTION
1	7" Round Duct Plate (includes hardware)
2	Damper/Duct Connector (includes hardware)
3	Screw, #8-18 x ¼ Hex* (2 in package)
4	Motor Capacitor (includes wire nuts & hardware)
5	Isolation Transformer
6	Nameplate
7	Control Panel (includes Key No. 6 & hardware)
8	Screw for Plastic, #6 x ½ Flat Hd. (3 in package)
9	Screw, #8-18 x 3/8 (2 in package)
10	Ground Screw
11	Scroll Cover, Outlet (includes hardware)
12	Scroll Cover, Front (includes hardware)
13	Control Assembly (includes Key Nos. 6, 7 & hardware)
14	Air Chute Assembly (includes Key No. 15 & hardware)
15	Baffle
16	Screw, Metric M4 x 6mm (4 in package)
17	Motor Plate (Includes Key No. 18)
18	Motor Plate Mounting Kit (3 of each part)
19	Motor (includes Key No. 16)
20	Blower Wheel (Includes Key No. 21)
21	Retaining Ring
22	Lamp Socket Assembly
23	Light Panel
24	Hole Plug (1 req.)
25	Pop Rivet, .125D (3 req.)
26	Filter Spring Kit
27	Bottom Cover (includes Key Nos. 9, 25, & 26)
28	Autotransformer (includes hardware)
29	Aluminum Mesh Filter (2 in package)
30	Non-Ducted Blower Wheel Assembly (includes Key Nos. 20 & 21)
**	Non-ducted Filter Kit
**	Wire Harness
**	Control Fuse, 10-Amp

Order replacement parts by KEY NO.

* Standard hardware - may be purchased locally.

** Not illustrated - purchase separately.

Major Appliance Warranty Information

Your appliance is covered by a one year limited warranty. For one year from your original date of purchase, Electrolux will pay all costs for repairing or replacing any parts of this appliance that prove to be defective in materials or workmanship when such appliance is installed, used and maintained in accordance with the provided instructions.

Exclusions **This warranty does not cover the following:**

1. Products with original serial numbers that have been removed, altered or cannot be readily determined.
2. Product that has been transferred from its original owner to another party or removed outside the USA or Canada.
3. Rust on the interior or exterior of the unit.
4. Products purchased "as-is" are not covered by this warranty.
5. Food loss due to any refrigerator or freezer failures.
6. Products used in a commercial setting.
7. Service calls which do not involve malfunction or defects in materials or workmanship, or for appliances not in ordinary household use or used other than in accordance with the provided instructions.
8. Service calls to correct the installation of your appliance or to instruct you how to use your appliance.
9. Expenses for making the appliance accessible for servicing, such as removal of trim, cupboards, shelves, etc., which are not a part of the appliance when it is shipped from the factory.
10. Service calls to repair or replace appliance light bulbs, air filters, water filters, other consumables, or knobs, handles, or other cosmetic parts.
11. Surcharges including, but not limited to, any after hour, weekend, or holiday service calls, tolls, ferry trip charges, or mileage expense for service calls to remote areas, including the state of Alaska.
12. Damages to the finish of appliance or home incurred during installation, including but not limited to floors, cabinets, walls, etc.
13. Damages caused by: services performed by unauthorized service companies; use of parts other than genuine Electrolux parts or parts obtained from persons other than authorized service companies; or external causes such as abuse, misuse, inadequate power supply, accidents, fires, or acts of God.

DISCLAIMER OF IMPLIED WARRANTIES; LIMITATION OF REMEDIES

CUSTOMER'S SOLE AND EXCLUSIVE REMEDY UNDER THIS LIMITED WARRANTY SHALL BE PRODUCT REPAIR OR REPLACEMENT AS PROVIDED HEREIN. CLAIMS BASED ON IMPLIED WARRANTIES, INCLUDING WARRANTIES OF MERCHANTABILITY OR FITNESS FOR A PARTICULAR PURPOSE, ARE LIMITED TO ONE YEAR OR THE SHORTEST PERIOD ALLOWED BY LAW, BUT NOT LESS THAN ONE YEAR. ELECTROLUX SHALL NOT BE LIABLE FOR CONSEQUENTIAL OR INCIDENTAL DAMAGES SUCH AS PROPERTY DAMAGE AND INCIDENTAL EXPENSES RESULTING FROM ANY BREACH OF THIS WRITTEN LIMITED WARRANTY OR ANY IMPLIED WARRANTY. SOME STATES AND PROVINCES DO NOT ALLOW THE EXCLUSION OR LIMITATION OF INCIDENTAL OR CONSEQUENTIAL DAMAGES, OR LIMITATIONS ON THE DURATION OF IMPLIED WARRANTIES, SO THESE LIMITATIONS OR EXCLUSIONS MAY NOT APPLY TO YOU. THIS WRITTEN WARRANTY GIVES YOU SPECIFIC LEGAL RIGHTS. YOU MAY ALSO HAVE OTHER RIGHTS THAT VARY FROM STATE TO STATE.

If You Need Service

Keep your receipt, delivery slip, or some other appropriate payment record to establish the warranty period should service be required. If service is performed, it is in your best interest to obtain and keep all receipts. Service under this warranty must be obtained by contacting Electrolux at the addresses or phone numbers below.

This warranty only applies in the USA and Canada. In the USA, your appliance is warranted by Electrolux Major Appliances North America, a division of Electrolux Home Products, Inc. In Canada, your appliance is warranted by Electrolux Canada Corp. Electrolux authorizes no person to change or add to any obligations under this warranty. Obligations for service and parts under this warranty must be performed by Electrolux or an authorized service company. Product features or specifications as described or illustrated are subject to change without notice.

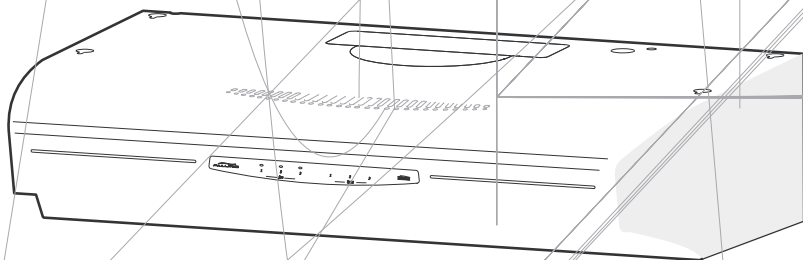
USA
1.800.944.9044
Electrolux Major Appliances
North America
P.O. Box 212378
Augusta, GA 30907



Canada
1.800.668.4606
Electrolux Canada Corp.
5855 Terry Fox Way
Mississauga, Ontario, Canada
L5V 3E4

Frigidaire e
e L e M e N T S

Modèles: LFEV30FE/LFEV36FE



Des questions? 1-800-944-9044 (États-Unis)
1-800-668-4606 (Canada)

p/n 316137237 (0605)

Bienvenue et félicitations

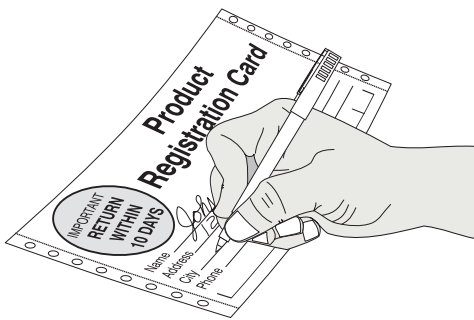
Félicitations pour l'achat de votre nouvelle hotte! Chez **Electrolux Home Products**, nous sommes très fiers de nos produits et nous nous engageons totalement à vous fournir le meilleur service possible. Votre satisfaction est notre priorité.

Nous sommes confiants que vous allez être satisfait de votre nouvelle cuisinière et nous vous disons **Merci** d'avoir choisi un de nos produits. Nous espérons vous servir à nouveau lors de vos prochains achats.

VEUILLEZ LIRE ATTENTIVEMENT CES INSTRUCTIONS ET LES CONSERVER

Ce manuel d'utilisation et d'entretien contient des instructions d'utilisation spécifiques à votre modèle. Utilisez votre cuisinière en suivant les instructions contenues dans ce manuel seulement. Ces instructions ne répondent pas à toutes les conditions et situations possibles. Le bon sens et la prudence doivent être utilisés durant l'installation, l'emploi et l'entretien de tout électroménager.

Veillez noter ci-dessous le modèle et le numéro de série de votre appareil pour pouvoir vous y reporter ultérieurement.



Numéro de modèle : _____

Numéro de série : _____

Date d'achat : _____

Enregistrement du produit

Enregistrez votre produit

La **CARTE D'ENREGISTREMENT DU PRODUIT** pré-adressée doit être complètement remplie, signée et retournée à Electrolux Home Products.

Ce manuel d'utilisation et d'entretien contient des instructions d'utilisation générales pour votre hotte et de l'information sur les caractéristiques de plusieurs modèles. Votre hotte peut **ne pas** posséder toutes les caractéristiques décrites. Les illustrations sont présentées à titre d'exemple. Les illustrations sur votre hotte peuvent être différentes que celles présentées.

Conseils de sécurité importants

LISEZ ET CONSERVEZ CES DIRECTIVES



LA CUISINE DOMESTIQUE SEULEMENT



AVERTISSEMENT



AFIN DE DIMINUER LES RISQUES D'INCENDIE, D'LECTROCUTION OU DE BLESSURES, SUIVEZ CES DIRECTIVES:

1. Utilisez ce produit en suivant les recommandations du fabricant. Pour toute question, contactez le fabricant à l'adresse ou au numéro de téléphone indiqués dans la garantie.
2. Avant de réparer ou de nettoyer cette hotte, coupez le courant au panneau d'alimentation et verrouillez-en l'accès afin d'éviter que le courant ne soit accidentellement remis en fonction. S'il vous est impossible de le verrouiller, apposez un indicateur voyant sur le panneau comme, par exemple, une étiquette de couleur vive.
3. L'installation de la hotte ainsi que le câblage électrique doivent être effectués par une ou des personnes compétentes selon les normes et les règles en vigueur, incluant celles qui régissent la prévention des incendies.
4. Une circulation d'air efficace est requise afin d'assurer la combustion et l'évacuation complète des gaz par le tuyau d'évacuation (cheminée) des équipements à combustion et pour prévenir les retours d'air. Conformez-vous aux normes et mesures de sécurité pour les fabricants d'appareils de chauffage publiées par la "National Fire Protection Association (NFPA)" et par la "American Society for Heating, Refrigeration and Air Conditioning Engineers (ASHRAE)", ainsi qu'aux normes en vigueur dans votre région.
5. Lorsque vous coupez ou percez un mur ou un plafond, prenez garde d'endommager les fils électriques ou autres installations qui pourraient y être dissimulés.
6. Pour réduire les risques d'incendie ou de décharge électrique, ne pas utiliser ce ventilateur avec un régulateur de vitesse à transistors.
7. Les installations ventilées doivent toujours être reliées à des conduits rejetant l'air à l'extérieur.
8. Afin de diminuer les risques d'incendie, n'utilisez que des conduits de ventilation en métal.
9. Utilisation avec le kit approuvé de corde-raccordement seulement.
10. Ce ventilateur doit être relié à une mise à la terre.

AFIN DE DIMINUER LES RISQUES D'INCENDIE POUVANT SE D'CLENCHER SUR LA SURFACE DE CUISSON:

1. Ne jamais laisser sans surveillance des unités de surface réglées à feu vif. En plus de générer de la fumée, les débordements de graisse peuvent prendre feu. Chauffer les huiles lentement à feu doux ou moyen.
2. Toujours mettre en marche la hotte durant la cuisson à feu vif ou la cuisson d'aliments à flamber.
3. Nettoyer régulièrement les ventilateurs d'aération. On ne doit tolérer aucune accumulation de graisse sur le ventilateur ou sur le filtre.
4. Utiliser une casserole de grosseur appropriée. Toujours utiliser une batterie de cuisine proportionnelle à l'élément de surface.

AFIN DE DIMINUER LES RISQUES DE BLESSURES POUVANT SURVENIR LORSQU'UN FEU SE D'CLENCHÉ SUR LA SURFACE DE CUISSON, SUIVEZ CES DIRECTIVES:

1. ÉTOUFFEZ LES FLAMMES avec un couvercle hermétique, une tôle à biscuits ou un plateau en métal puis éteignez la cuisinière. PRENEZ GARDE AUX BRÛLURES. Si vous ne parvenez pas à éteindre immédiatement les flammes, ÉVACUEZ LES LIEUX ET CONTACTEZ VOTRE POSTE LOCAL DE LUTTE CONTRE LES INCENDIES.
2. NE VOUS EMPAREZ JAMAIS D'UN PLAT QUI S'EST ENFLAMMÉ – Vous risqueriez de vous brûler.
3. N'UTILISEZ JAMAIS D'EAU, incluant les linges à vaisselles ou serviettes mouillés car cela peut provoquer une violente explosion de vapeur.
4. Utilisez un extincteur SEULEMENT si:
 - A. Il s'agit d'un extincteur de classe ABC et que vous savez comment vous en servir.
 - B. Il s'agit d'un petit feu qui ne se propage pas ailleurs que sur cuisinière.
 - C. Vous avez appelé votre poste local de lutte contre les incendies.
 - D. Vous pouvez combattre le feu tout en ayant accès à une sortie.

* Basé sur "Kitchen Fire Safety Tips" édité par NFPA.

ATTENTION



1. N'utilisez cet appareil que pour la ventilation des surfaces de cuisson. Ne l'utilisez pas pour ventiler des matières ou des vapeurs de nature dangereuse ou explosive.
2. Afin d'éviter d'endommager le mécanisme du moteur et de débalancer et/ou de rendre bruyant le fonctionnement des hélices, protégez l'appareil des poussières de placoplâtre et de construction.
3. Pour obtenir de meilleurs résultats de ventilation, votre hotte de cuisinière devrait être installée à une distance de 60 cm à 76 cm au-dessus de la surface de cuisson.
4. Veuillez lire toutes les étiquettes apposées sur le produit pour obtenir plus d'information et connaître les spécifications d'installation.

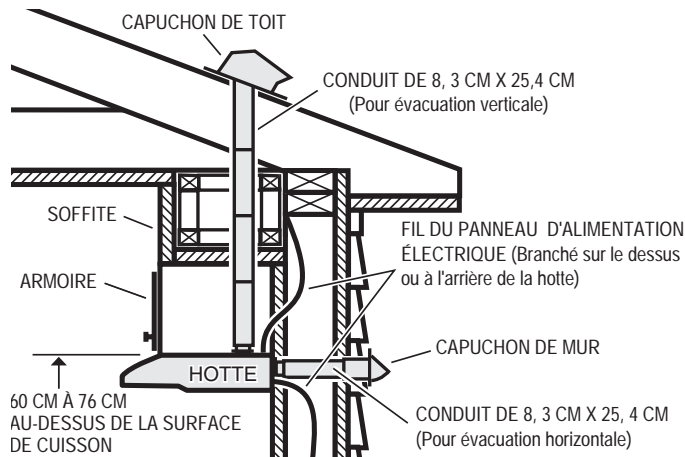
Avis à l'installateur: Veuillez remettre ce guide au propriétaire de la hotte. Avis au propriétaire de la hotte: Vous trouverez les directives concernant le fonctionnement et le nettoyage de cet appareil à la page 8 du présent guide.

NOTA

Si la hotte est installée sans conduit (installation non ventilée) :

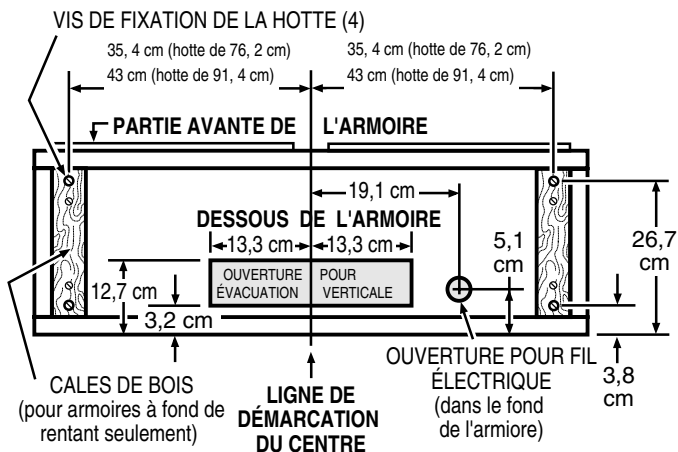
Procurez-vous un ensemble de 2 filtres pour installation non ventilée chez le distributeur de votre région ou chez le marchand qui vous et fixez-les sur les filtres d'aluminium.

PRÉPAREZ L'EMPLACEMENT

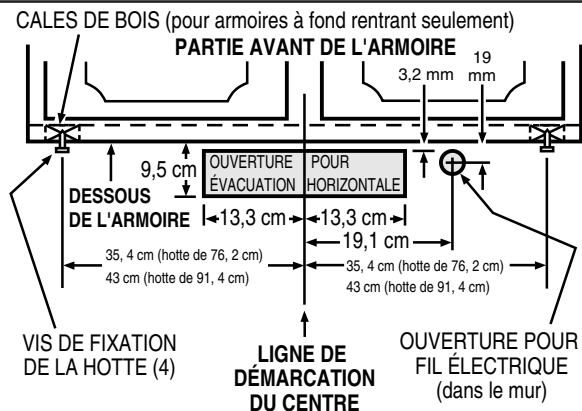


- 1 Choisissez entre une évacuation verticale (conduit de 8,3 cm x 25,4 cm), une évacuation horizontale (conduit de 8,3 cm x 25,4 cm) et une installation sans conduit. Pour les installations à évacuation horizontale ou verticale, reliez la hotte à un capuchon de mur ou à un capuchon de toit à l'aide de conduits appropriés. Pour obtenir de meilleurs résultats, évitez, dans la mesure du possible, d'utiliser des transitions ou des coudes.
- 2 Consultez les schémas ci-dessous pour savoir où percer les ouvertures dans les armoires ou les murs pour les conduits et les fils électriques. Dans le cas d'une installation non ventilée, NE PERCEZ PAS d'ouverture pour un conduit de rejet d'air.

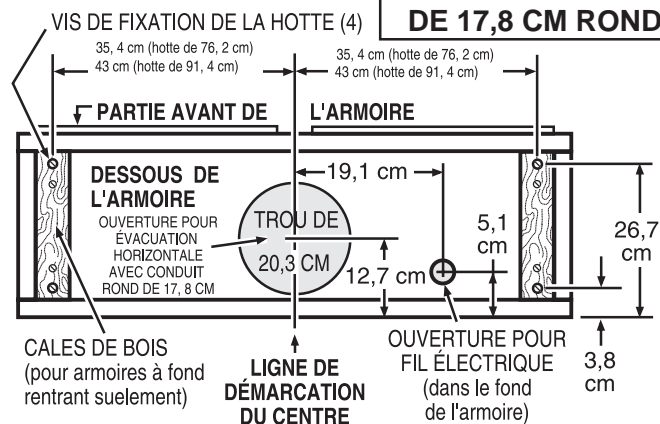
CONDUIT VERTICAL DE 8,3 CM X 25,4 CM



CONDUIT HORIZONTAL DE 8,3 CM X 25,4 CM



CONDUIT VERTICAL DE 17,8 CM ROND

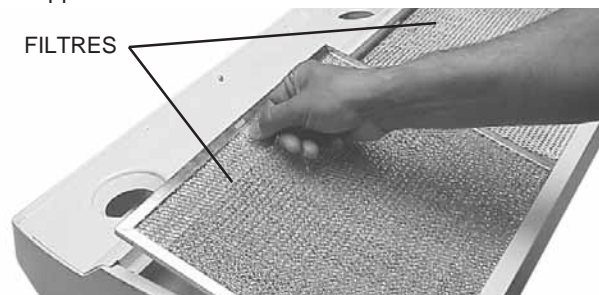


- 3 Amenez le fil électrique depuis le panneau d'alimentation jusqu'à l'emplacement prévu pour la hotte.

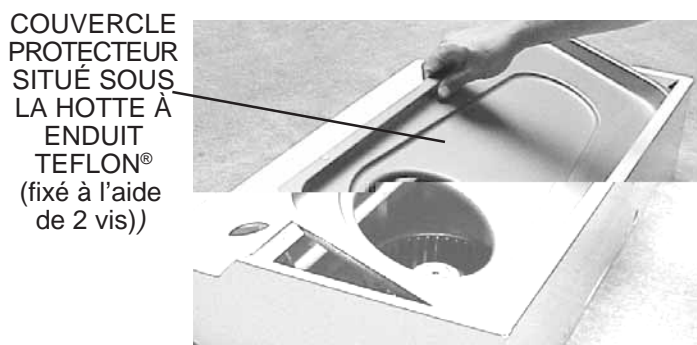
PRÉPAREZ LA HOTTE



- 1 Enlevez le **plat rond de conduit de 17,8 cm** du dessus du hotte. Placez le plat de conduit de côté - avec des vis de support.

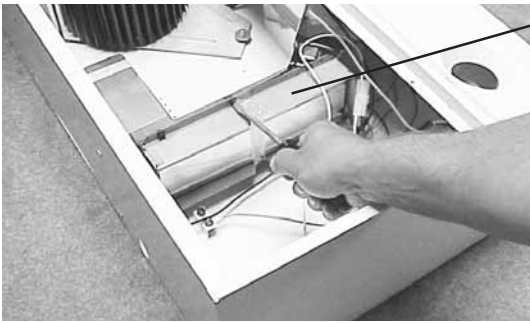


- 2 Retirez le ruban adhésif qui sert à maintenir les **filtres** en place. Tirez sur les languettes des filtres et soulevez ces derniers. Mettez les filtres de côté.



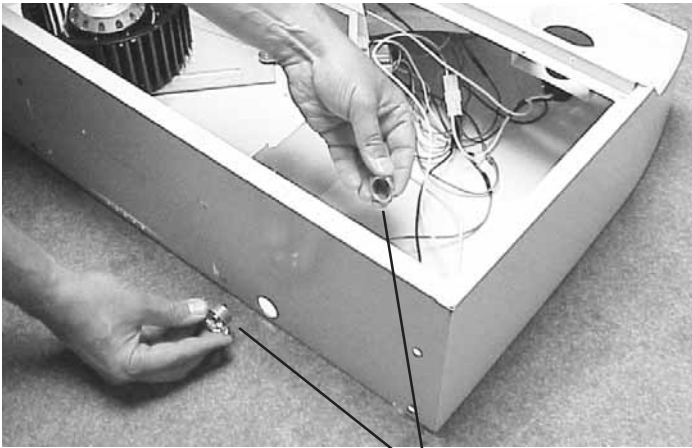
- 3 Retirez le **Couvercle protecteur situé sous la hotte à enduit Teflon®**. Mettez-le de côté avec les vis d'assemblage.

4 Teflon® est une marque déposée de DuPont.



RACCORD
DU CONDUIT
AVEC LE
REGISTRE

- 4 Retirez le **raccord du conduit** avec le registre de la hotte. Mettez-le de côté avec les vis d'assemblage et le sac contenant les pièces.

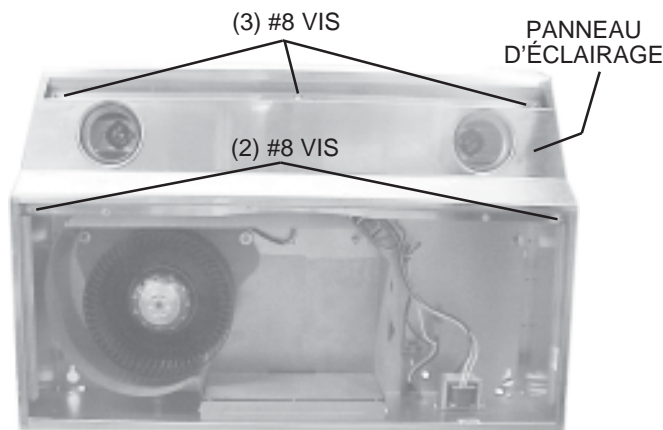


COLLET DE FIXATION DU CÂBLE
D'ALIMENTATION

- 5 Retirez l'une des deux débouchures d'accès du câble d'alimentation (sur le dessus de la hotte ou à l'arrière) et installez un **collet de fixation** répondant aux normes régissant les installations électriques.

Installation sans conduit - Passez à l'étape 11.

Les étapes suivantes (5 à 10) ne concernent que les **INSTALLATIONS AVEC CONDUIT**.

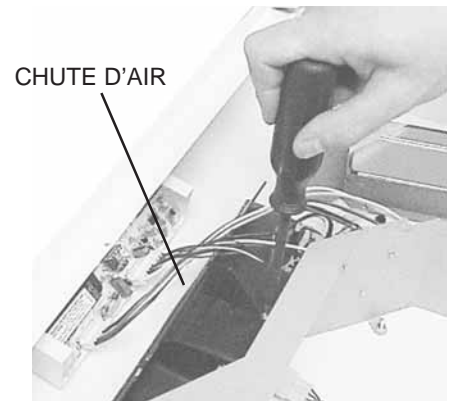


(3) #8 VIS

PANNEAU
D'ÉCLAIRAGE

(2) #8 VIS

- 6 Enlevez le **panneau d'éclairage**- mainenu par cinq (3) #8 vis et (2) #8 vis.

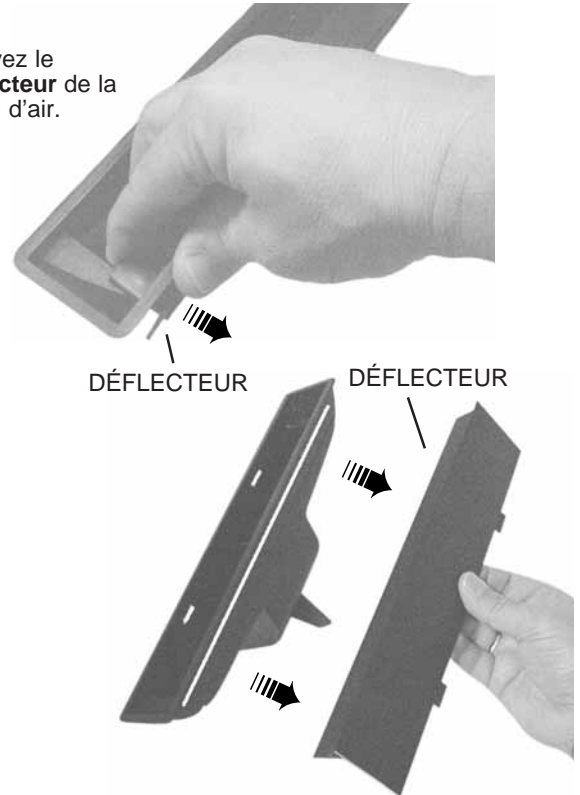


CHUTE D'AIR

- 7 Enlevez le **chute d'air** - maintenue par une (1) vis.

REMARQUE : Prendre garde de ne débrancher aucun fil.

- 8 Enlevez le **défecteur** de la chute d'air.



DÉFLECTEUR

DÉFLECTEUR

- 9 Faites pivoter le déflecteur. Réinsérez le déflecteur dans la chute d'air (comme montré) de sorte que les **onglets** toute la manière dans des **fentes** dans la chute d'air. Un "clic" audible sera entendu quand il est entièrement installé. Ceci dirigera l'air traversant les fentes non-canalises sur le dessus du hotte.

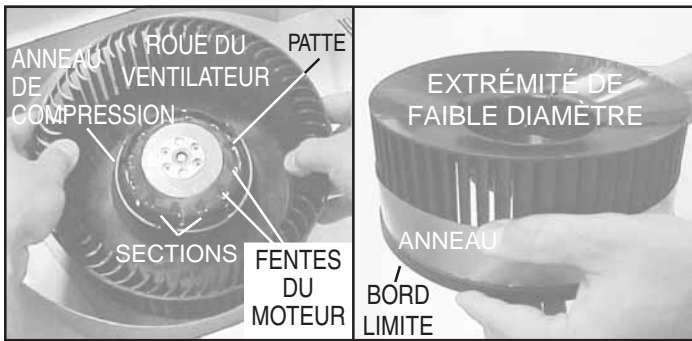
FENTES

ONGLETS

LANGUETTE DE
SUPPORT

- 10 Réinstallez la chute d'air et la vis, l'harnais pour fils, et le panneau d'éclairage.

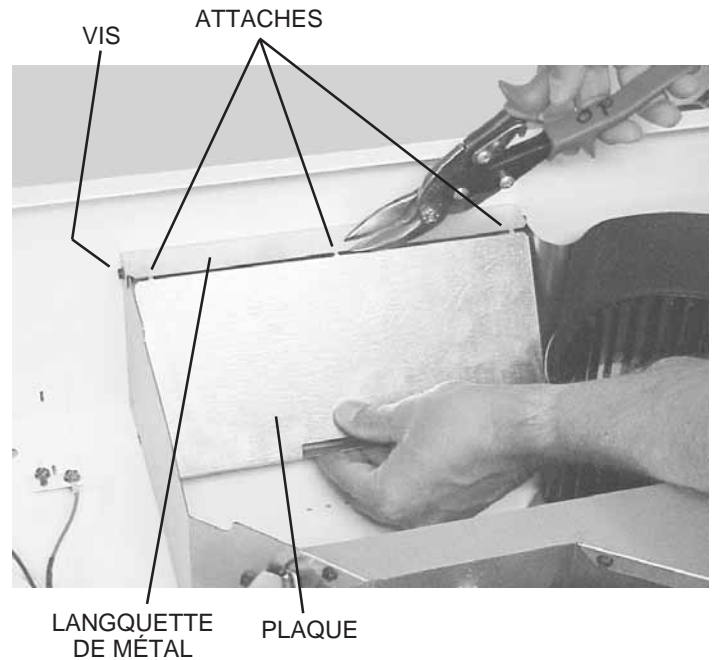
REMARQUE : Prendre garde de ne pas coincer les fils entre la **languette de support** et le panneau d'éclairage.



11 Pour installations sans conduit seulement : Vous devez installer un **anneau de puissance** sur la roue du ventilateur.

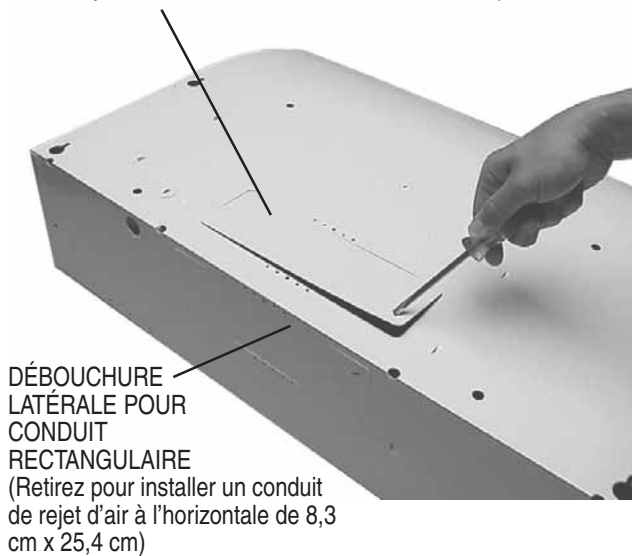
Pour installer cet anneau :

1. Retirez la **roue du ventilateur** en tirant de façon modérée et en la bougeant pour la désengager du moteur. Retirez **anneau de compression** si nécessaire.
2. Faites glisser l'anneau par-dessus l'**extrémité de faible diamètre** de la roue jusqu'à ce qu'il atteigne le **bord limite** de la roue.
3. Réinstallez la roue sur le moteur. Assurez-vous que la **patte** de la roue s'insère dans l'une des **fentes du moteur**.
4. Poussez sur la roue jusqu'à ce qu'elle s'enclenche.
5. Vérifiez que la roue soit bien installée, tel qu'illustré. Appuyez sur les **sections** pour les engager, si nécessaire. Assurez-vous que la roue tourne librement.

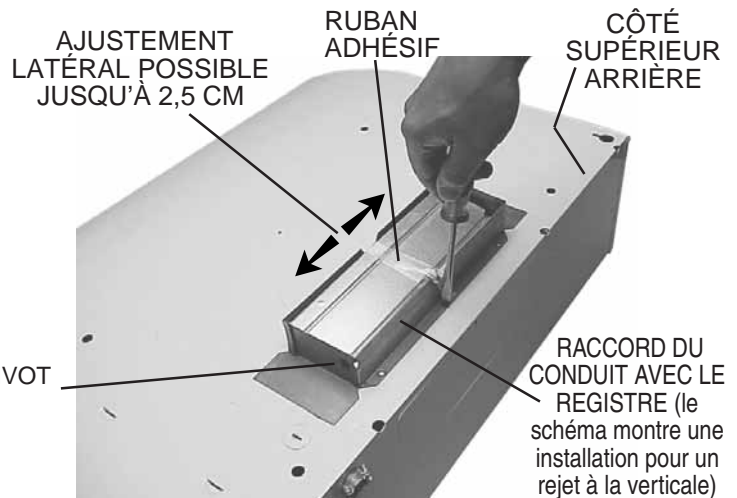


13 Pour évacuation horizontale seulement : Retirez la **plaque** qui protège la débouchure pour évacuation horizontale. Coupez les **attaches** puis retirez et jetez la plaque. **NE RETIREZ PAS** la **languette de métal** maintenue en place par les deux **vis**.

DÉBOUCHURE SUPÉRIEURE POUR CONDUIT RECTANGULAIRE (Retirez pour installer un conduit de rejet d'air à la verticale de 8,3 cm x 25,4 cm)



12 Retirez la **débouchure** appropriée sur le dessus ou à l'arrière de la hotte.



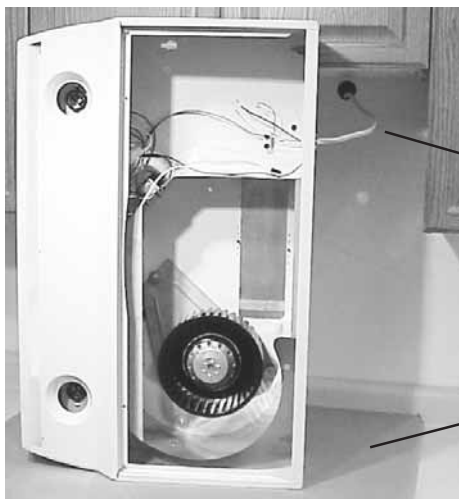
14 Pour les installations avec un conduit de rejet d'air de 8,3 cm x 25,4 cm seulement : Retirez le **ruban adhésif** du volet du registre et fixez le **raccord du conduit avec le registre** sur l'ouverture (débouchure) choisie avec les vis que vous avez retirées lors de l'étape 4 de cette section. Assurez-vous que le **pivot** du registre soit installé près du **côté supérieur arrière** de la hotte.

NOTA Le raccord du conduit avec le registre et peuvent être installés avec un jeu de 2,5 cm de part et d'autre de la ligne de démarcation centrale pour s'adapter aux conduits qui ne sont pas parfaitement centrés. Dans certains cas extrêmes, il peut être nécessaire de tailler l'une des extrémités du raccord de conduit pour permettre un dégagement du collet de fixation du câble d'alimentation.

BRANCHEZ LES FILS D'ALIMENTATION ÉLECTRIQUE



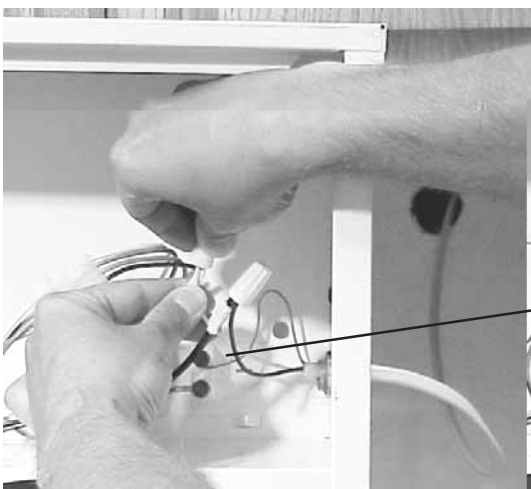
AVERTISSEMENT: Afin de prévenir les risques d'électrocution, assurez-vous que le courant ait été interrompu au panneau d'alimentation principal. Verrouillez ce dernier ou apposez un indicateur voyant pour éviter que quelqu'un ne remette accidentellement le courant en marche.



CÂBLE D'ALIMENTATION DU PANNEAU PRINCIPAL (120 V, courant alternatif)

MORCEAU DE CARTON (pour protéger la surface de cuisson)

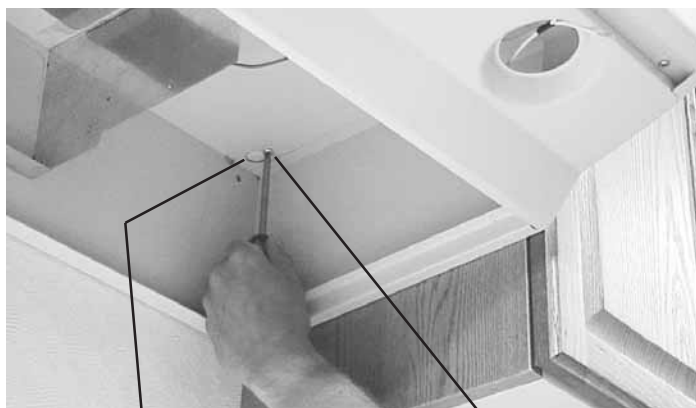
- 1 Branchez le **câble d'alimentation du panneau principal** (120 V, courant alternatif) à la hotte. Si nécessaire, utilisez un **morceau de carton** pour protéger la surface de cuisson.



VIS VERTE DE MISE À LA TERRE

- 2 Branchez le fil noir du panneau principal au fil noir de la hotte, le fil blanc du panneau principal au fil blanc de la hotte et le fil de mise à la terre du panneau principal à la **vis verte de mise à la terre**. Utilisez le collet de fixation pour maintenir solidement en place le câble d'alimentation.

INSTALLEZ LA HOTTE



OUVERTURE EN FORME DE TROU DE SERRURE (4)

OUVERTURE EN FORME DE TROU DE SERRURE (4)

- 1 Utilisez les 4 **vis d'assemblage** (que vous retrouverez dans le sac contenant les pièces) pour suspendre la hotte. Faites glisser la hotte vers le mur pour engager les vis dans la partie étroite des 4 **ouvertures en forme de trou de serrure**. Serrez solidement les vis d'assemblage. Utilisez un tournevis long.
- 2 Remettez en place le couvercle protecteur sous la hotte.



RUBAN ADHÉSIF POUR SCELLER LES CONDUITS

- 3 Raccordez le conduit à la hotte. Utilisez du **ruban adhésif pour sceller les conduits** pour rendre votre installation étanche.



AMPOULES HALOGÈNES (2) PAR 20, 50 WATTS MAXIMUM OU AMPOULES RÉGULIÈRES (2) R16, 40 WATTS MAXIMUM

- 4 Installez 2 **ampoules halogènes** PAR20 de 50 W maximum ou 2 **ampoules régulières** R16 de 40 W maximum (ampoules vendues séparément).



Avvertissement : Les ampoules peuvent devenir très chaudes ! Consultez les directives sur l'emballage pour plus d'information.

- 5 Remettez les filtres en place, remettez le courant en marche depuis le panneau principal et effectuez un test pour vous assurer du bon fonctionnement.

FILTRES SANS CONDUIT

Si la hotte est installée sans conduit:

Procurez-vous un ensemble de 2 filtres pour installation non ventilée et fixez-les aux filtres d'aluminium. Ces filtres sont disponibles chez le distributeur de votre région ou chez le marchand qui vous a vendu la hotte.

NOTA: Pour les modèles installés sans mise à l'air libre, le fonctionnement le plus efficace est obtenu aux régimes 1 et 2. Ceux-ci offrent un meilleur rendement et un fonctionnement silencieux pendant la cuisson, tout en maximisant les avantages du système de filtration par recyclage.

FONCTIONNEMENT



Ventilateur et éclairage : Chacune de ces fonctions est contrôlée à l'aide de 3 boutons. Appuyez sur l'un de ces 3 boutons pour choisir l'une des trois intensités du ventilateur ou l'une des trois intensités d'éclairage. Appuyez sur ce même bouton pour éteindre le ventilateur ou l'éclairage. Appuyez sur un autre bouton pour changer l'intensité du ventilateur ou de l'éclairage. Un indicateur lumineux au-dessus de chacun des boutons du ventilateur indique à quelle intensité le ventilateur a été réglé.

Détecteur de chaleur: Votre hotte de cuisine est équipée d'une fonction de détecteur de chaleur qui surveille la température. Le détecteur de chaleur met automatiquement le ventilateur en marche à la vitesse maximale lorsque la température excède la normale.

- 1) Si l'un des réglages du ventilateur est sélectionné alors que le détecteur de chaleur est activé, le voyant lumineux situé au-dessus du bouton du ventilateur se met à clignoter.
- 2) Si le ventilateur est réglé sur "arrêt" alors que le détecteur de chaleur est activé, le voyant lumineux situé au-dessus du bouton 3 se met à clignoter rapidement.

Une fois la température revenue à la normale, le ventilateur reprend automatiquement le réglage choisi avant l'entrée en fonction du détecteur de chaleur.

Fusible: La commande de la hotte contient un fusible pour la protéger contre les surtensions. Si le fusible a sauté (grillé), les voyants verts indiquant la force du ventilateur s'allument normalement lorsque l'on appuie sur les boutons et les interrupteurs, mais ni le ventilateur ni la lumière ne fonctionnent. Le fusible est de 5 x 20 mm, 10 A, à action rapide, 125 V (min.). Les principaux fabricants et numéros de pièce sont : Littlefuse, 217010 ; Bussmann, GMA10A ; Wickmann, 1942100. Radio Shack, Digkey (1-800-344-4539) et la plupart des magasins d'électronique ont ces fusibles en stock.

Pour remplacer le fusible :

1. Couper le courant au panneau électrique.
2. Enlever les filtres, le panneau inférieur, le connecteur de la lumière et le volet d'évacuation.
3. Enlever et inspecter le fusible. S'il n'a pas sauté (grillé), un diagnostic plus poussé doit être effectué.
4. Installer le nouveau fusible.
5. Remonter le volet d'évacuation, le connecteur de la lumière, le panneau inférieur et les filtres.
6. Rétablir le courant et vérifier le fonctionnement de la hotte et des commandes.

ENTRETIEN



AVERTISSEMENT : Afin de prévenir les risques d'électrocution, interrompez le courant avant de procéder à l'entretien de la hotte.

Filtres d'aluminium: Nettoyez régulièrement à l'eau chaude avec un peu de détergent doux. Vous pouvez également les nettoyer au lave-vaisselle.

Filtres à charbon actif: Nettoyez souvent la surface des filtres avec un chiffon mouillé et un détergent doux. NE PLONGEZ PAS ces filtres dans l'eau et ne les nettoyez pas au lave-vaisselle. L'indicateur spécial "Clean Sense" s'active lorsqu'il est temps de remplacer le filtre. Les bandes bleue et jaune se mêlent pour verdir pour vous signaler qu'il est temps de le remplacer. L'indicateur "Clean Sense" fonctionne mieux lorsqu'il fait face à la surface de cuisson.

Pour nettoyer la hotte: Retirez les filtres. Utilisez un chiffon mouillé et un détergent doux. Ne pas utiliser de chiffon abrasif, ni laine d'acier, ni poudre à récurer sur le couvercle protecteur situé sous la hotte à enduit Teflon® ni sur toute surface peinte. Nettoyez délicatement l'hélice du ventilateur afin d'éviter de l'endommager ou de la déplacer. LE MOTEUR NE DOIT JAMAIS ÊTRE EXPOSÉ À L'EAU. Assurez-vous que toutes les surfaces soient bien sèches avant de remettre les filtres en place et de rebrancher la hotte.

Le moteur bénéficie d'une lubrification permanente. Ne démontez pas le moteur et n'essayez pas d'y ajouter de l'huile ou un lubrifiant quelconque.

8 Teflon^{MD} une marque déposée enregistrée de DuPont.

Informations sur la garantie des gros électroménagers

Votre appareil est couvert par une garantie limitée d'un an. Pendant un an à partir de la date d'achat originale, Electrolux assumera les coûts des réparations ou du remplacement des pièces de cet appareil qui présente un défaut de fabrication ou de matériau, si cet appareil est installé, utilisé et entretenu selon les instructions fournies avec celui-ci.

Exclusions Cette garantie ne couvre pas ce qui suit :

1. Les produits dont le numéro de série original a été enlevé, modifié ou qui n'est pas facilement déterminable.
2. Les produits qui ont été transférés de leur propriétaire initial à une autre partie ou qui ne sont plus aux États-Unis ou au Canada.
3. La rouille à l'intérieur ou à l'extérieur de l'appareil.
4. Les produits vendus « tels quels » ne sont pas couverts par cette garantie.
5. Les aliments perdus en raison de pannes du réfrigérateur ou du congélateur.
6. Les produits utilisés dans les établissements commerciaux.
7. Les appels de service qui ne concernent pas un mal fonctionnement, un défaut de fabrication ou un vice de matériau ou pour les appareils qui ne font pas l'objet d'un usage domestique ou qui ne sont pas utilisés conformément aux instructions fournies.
8. Les appels de service pour vérifier l'installation de votre appareil ou pour obtenir des instructions sur la façon d'utiliser votre appareil.
9. Les frais qui rendent l'appareil accessible pour une réparation, par exemple enlever des garnitures, les armoires, les étagères, etc. qui ne faisaient pas partie de l'appareil lorsqu'il a quitté l'usine.
10. Les appels de service au sujet de la réparation ou du remplacement des ampoules, des filtres à air, des filtres à eau, d'autre matériel ou des boutons, poignées ou autres pièces esthétiques.
11. Les frais supplémentaires, y compris, sans s'y limiter, les appels de service après les heures normales de bureau, le week-end ou les jours fériés, les droits et péages, les frais de convoyage ou les frais de déplacement pour les appels de service dans des endroits isolés, notamment l'État de l'Alaska.
12. Les dommages causés au fini de l'appareil ou à la maison pendant l'installation, y compris, sans s'y limiter, aux planchers, aux armoires, aux murs, etc.
13. Les dommages causés par : des réparations faites par des techniciens non autorisés; l'utilisation de pièces autres que les pièces Electrolux d'origine qui n'ont pas été obtenues par l'entremise d'un réparateur autorisé; ou les causes étrangères comme l'abus, l'alimentation électrique inadéquate ou les cas de force majeure.

AVIS DE NON-RESPONSABILITÉ SUR LES GARANTIES IMPLICITES; LIMITATIONS DES RECOURS

L'UNIQUE RECOURS DU CLIENT EN VERTU DE CETTE GARANTIE LIMITÉE EST LA RÉPARATION OU LE REMPLACEMENT DU PRODUIT COMME DÉCRIT PRÉCÉDEMMENT. LES DEMANDES BASÉES SUR DES GARANTIES IMPLICITES, Y COMPRIS LES GARANTIES IMPLICITES DE QUALITÉ MARCHANDE ET D'ADAPTATION À UN USAGE PARTICULIER SONT LIMITÉES À AU MOINS UN AN OU À LA PÉRIODE LA PLUS COURTE PERMISE PAR LA LOI. ELECTROLUX NE SERA PAS TENUE RESPONSABLE DES DOMMAGES DIRECTS OU INDIRECTS NI DES DOMMAGES MATÉRIELS ET DES DÉPENSES IMPRÉVUES RÉSULTANT D'UNE VIOLATION DE CETTE GARANTIE ÉCRITE OU DE TOUTE AUTRE GARANTIE IMPLICITE. CERTAINS ÉTATS ET CERTAINES PROVINCES NE PERMETTENT PAS DE RESTRICTION OU D'EXEMPTION SUR LES DOMMAGES DIRECTS OU INDIRECTS OU DE RESTRICTION SUR LES GARANTIES IMPLICITES. DANS CE CAS, CES RESTRICTIONS OU EXEMPTIONS POURRAIENT NE PAS ÊTRE APPLICABLES. CETTE GARANTIE ÉCRITE VOUS PROCURE DES DROITS LÉGAUX SPÉCIFIQUES. IL SE PEUT QUE VOUS AYEZ D'AUTRES DROITS QUI VARIENT SELON L'ÉTAT OU LA PROVINCE.

Si vous avez besoin d'une réparation Conservez votre reçu, votre bon de livraison ou une autre preuve valide de paiement pour établir la période de la garantie dans le cas où vous devriez faire appel aux services d'un technicien autorisé. Si une réparation doit être effectuée, veuillez obtenir et conserver tous les reçus.

Le service auquel vous avez recours en vertu de cette garantie doit être obtenu en communiquant avec Electrolux à l'adresse ou aux numéros de téléphone indiqués ci-dessous.

Cette garantie n'est valide qu'aux États-Unis et au Canada. Aux États-Unis, votre appareil est garanti par Electrolux Major Appliances North America, une division de Electrolux Home Products, Inc. Au Canada, votre appareil est garanti par Electrolux Canada Corp. Personne n'est autorisé à modifier ou à ajouter aux obligations contenues dans cette garantie. Les obligations de cette garantie concernant la réparation et les pièces doivent être remplies par Electrolux ou par une compagnie de réparation autorisée. Les caractéristiques et spécifications décrites ou illustrées peuvent être modifiées sans préavis.

ÉTATS-UNIS

1.800.944.9044

Electrolux Major Appliances

North America

Case postale 212378

Augusta, GA 30907, ÉTATS-UNIS



Canada

1.800.668.4606

Electrolux Canada Corp.

5855 Terry Fox Way

Mississauga, Ontario, Canada

L5V 3E4

Free Manuals Download Website

<http://myh66.com>

<http://usermanuals.us>

<http://www.somanuals.com>

<http://www.4manuals.cc>

<http://www.manual-lib.com>

<http://www.404manual.com>

<http://www.luxmanual.com>

<http://aubethermostatmanual.com>

Golf course search by state

<http://golfingnear.com>

Email search by domain

<http://emailbydomain.com>

Auto manuals search

<http://auto.somanuals.com>

TV manuals search

<http://tv.somanuals.com>