



Drop-In Ranges

FFED3025L S/W/B

30" Electric



Product Dimensions

Height (Adjustable)	26-1/2" - 26-5/8"
Width	30"
Depth	28-5/16"

More Easy-To-Use Features

Even Baking Technology

Our latest technology ensures even baking every time.

Quick Clean

For a quick, light oven cleaning.

Extra-Large Window

Our extra-large oven window lets you easily see what's inside.

Delay Start Baking Option

Delay Clean

Set the oven to begin cleaning on your schedule.

Hi/Lo Broil Option

Offers two-position broiling and variable temperature control for more control.

Auto Shut-Off

As an extra safety measure, the oven will automatically shut off after 12 hours.

Bright Lighting

Our bright lighting makes it easy to see what's inside.

Attractive Stainless Steel Exterior¹

A.D.A. Compliant²

Sabbath Mode (Star-K® Certified)

Available in:



Elements	Size	Watts
Right Front	12"	2,700
Right Rear	6"	1,200
Left Front	9"	2,500
Left Rear	7"	1,500

¹Select model only.

²When properly installed, meets the appliance standards in the Americans with Disabilities Act and the Architectural Barriers Act Accessibility Guidelines as published by the United States Access Board on June 23, 2004, as amended August 5, 2005.

Signature Features

Ready-Select™ Controls

Easily select options or control cooking temperature with our easy-to-use controls.

Large Capacity

Our large capacity oven gives you room to cook more at once.

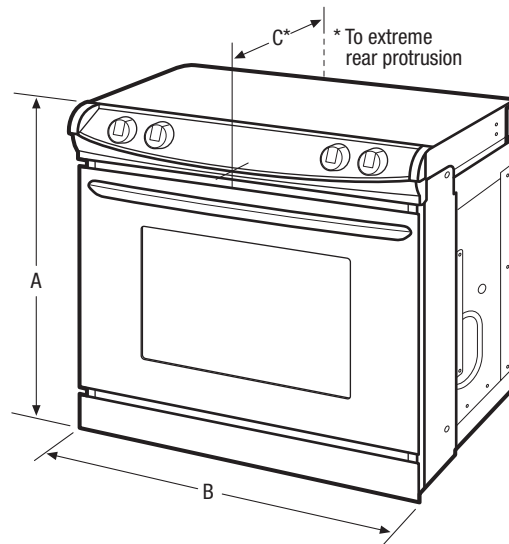
One-Touch Self Clean

Start the self-cleaning cycle with just the touch of a button.

Extra-Large Element

Our extra-large 12" element gives you space for larger pots and pans.

Features	
Oven Control/Timing System	Ready-Select™ Controls
Surface Type	Black Ceramic Glass (S), Color-Coordinated Ceramic Glass (W/B)
Window	Extra-Large
Exterior Door Finish	Stainless Steel (S), Color-Coordinated (W/B)
Handle Design	Black (S), Color-Coordinated (W/B)
Exterior Finish (Side Panels)	Black (S), Color-Coordinated (W/B)
Convection System	
Oven Cleaning System	Self Clean
Drawer Functionality	
Oven Controls	
Bake	Yes
Broil	Low and High
Add-a-Minute	
Delay Bake	Yes
Self Clean	2, 3 Hours (Scroll Thru)
Quick Clean Option	Yes
Delay Clean	Yes
Kitchen Timer	Yes
Timed Cook Option	Yes
Auto Oven Shutoff	12 Hours
Cooktop Features	
Right Front Element (Watts)	12" - 2,700
Right Rear Element (Watts)	6" - 1,200
Left Front Element (Watts)	9" - 2,500
Left Rear Element (Watts)	7" - 1,500
Center Element (Watts)	
Hot Surface Indicator Light	Yes
Coil Cooktop/Drip Bowls	
Oven Features	
Capacity (Cu. Ft.)	4.2
Oven Light	1
Hidden Bake Element	
Rack Configuration	2 Handle Racks
Even Baking System	Yes
Broiling System	Vari-Broil™ Hi/Lo
Bake Element/Broil Element (Watts)	2,750/3,400
Optional Accessories	
Rear Filler Kit - White (W)/Black (B)	(W) PN # 901193-9011 (B) PN # 901193-9010
Side Panel Kit - White (W)/Black (B)	
Backguard Kit - White (W)/Black (B)	(W) PN # 903046-9011 (B) PN # 903046-9010
Side Trim Kit - White (W)/Black (B)	(W) PN # 903076-9011 (B) PN # 903076-9010
Bottom Trim Kit - White (W)/Black (B)	(W) PN # 903068-9011 (B) PN # 903068-9010
Certifications	
A.D.A. Compliant ¹	Yes
Sabbath Mode (Star-K® Certified)	Yes
Specifications	
Oven Interior (H x W x D)	16-1/2" x 24-1/8" x 18-1/32"
Power Supply Connection Location	Left Bottom Rear
Voltage Rating	240V/208V/60Hz
Connected Load (kW Rating) @ 240/208 Volts	10.5/7.9
Amps @ 240/208 Volts	43.7/38.0
Minimum Circuit Required (Amps)	40
Shipping Weight (Approx.)	145 Lbs.



NOTE: For planning purposes only. Always consult local and national electric codes. Refer to Product Installation Guide for detailed installation instructions on the web at frigidaire.com.



Product Dimensions	
A - Height (Adjustable)	26-1/2" - 26-5/8"
B - Width	30"
C - Depth	28-5/16"
Depth with Door Open 90°	45-1/2"

Cutout Dimensions	
Height (min.)	29"
(max.)	29"
Width (min.)	29-15/16"
(max.)	30-1/16"*
Depth (min.)	21-3/4"
(max.)	22-1/8"***

*Cutout and countertop cutout width should match.
**24" with optional backguard installed.

¹When properly installed, meets the appliance standards in the Americans with Disabilities Act and the Architectural Barriers Act Accessibility Guidelines as published by the United States Access Board on June 23, 2004, as amended August 5, 2005.

Accessories information available on the web at frigidaire.com

FRIGIDAIRE

USA • 10200 David Taylor Drive • Charlotte, NC 28262 • 1-800-FRIGIDAIRE • frigidaire.com

CANADA • 5855 Terry Fox Way • Mississauga, ON L5V 3E4 • 1-800-265-8352 • frigidaire.ca

FFED3025L 07/10

Download from www.Semrush.com All Manuals Search And Download.

Specifications subject to change.
Printed in the U.S.A.

Free Manuals Download Website

<http://myh66.com>

<http://usermanuals.us>

<http://www.somanuals.com>

<http://www.4manuals.cc>

<http://www.manual-lib.com>

<http://www.404manual.com>

<http://www.luxmanual.com>

<http://aubethermostatmanual.com>

Golf course search by state

<http://golfingnear.com>

Email search by domain

<http://emailbydomain.com>

Auto manuals search

<http://auto.somanuals.com>

TV manuals search

<http://tv.somanuals.com>