



# *Frigidaire*

## Factory Parts Catalog

Product No.	CPMO209KFB
Market	Canada
Color	stainless steel
Volts	120
Watts	1100
Wiring Diagram	5995567863
Owner's Guide	TINSEB262WRRZ
Installation Instructions	316495065

### **Frigidaire**

5855 TERRY FOX WAY  
MISSISSAUGA, ONTARIO, CANADA L5V 3E4

Publication No.

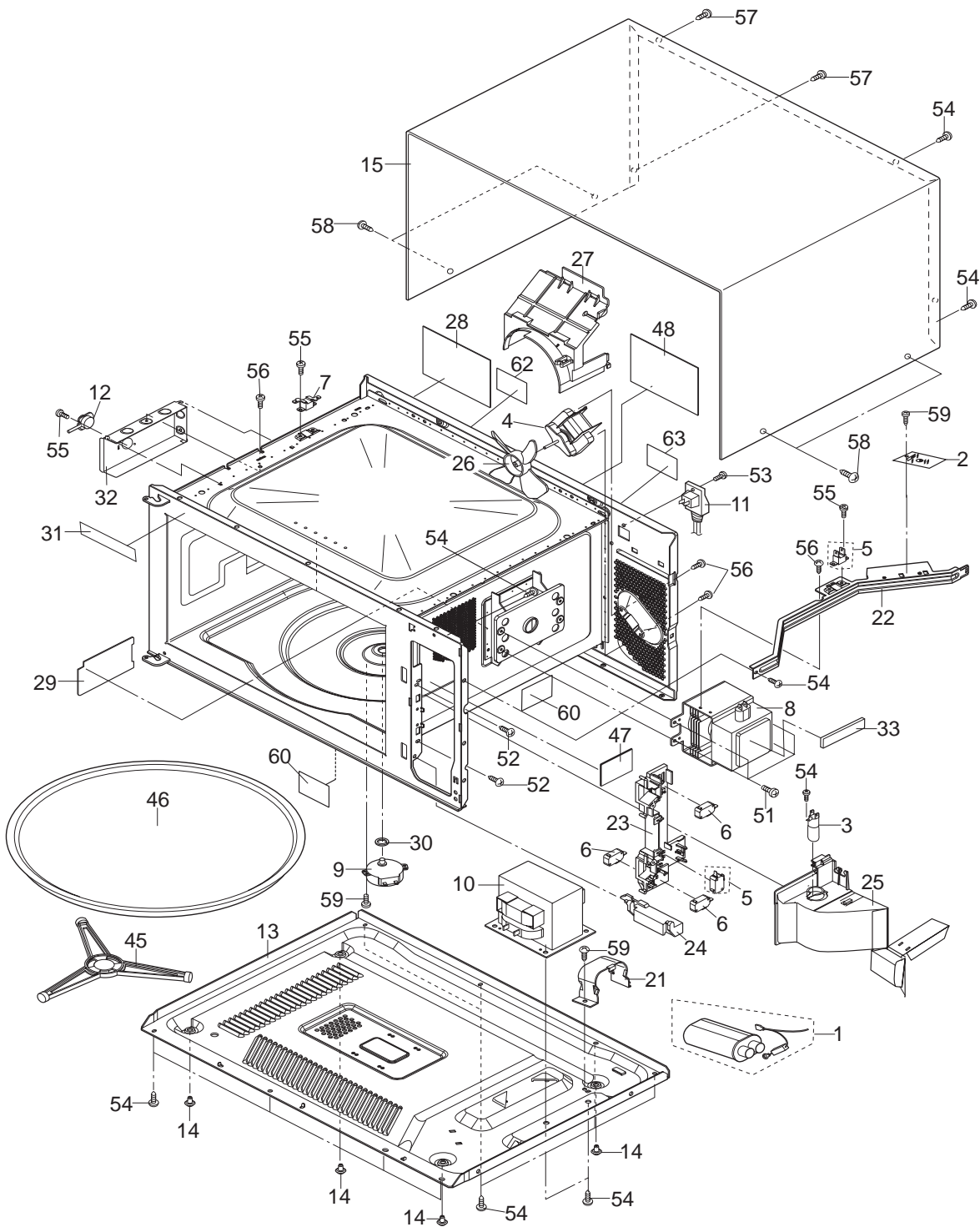
**5995567863**

10/06/04  
(EN/SERVICE/KC)  
099

### **BUILT-IN MICROWAVE**

Model No.  
**CPMO209K**

OVEN, CABINET



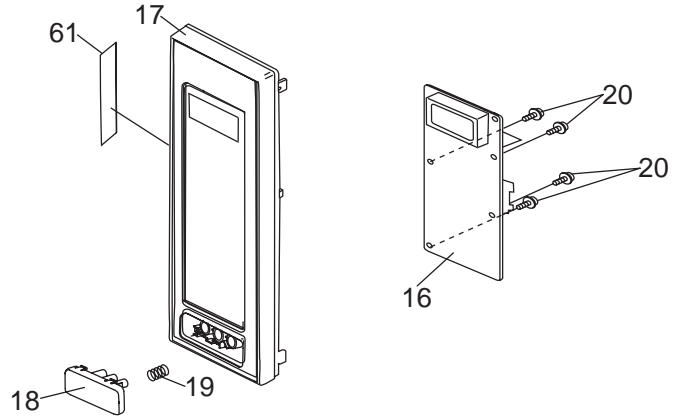
CPMO209KFB-OVEN

**OVEN,CABINET**

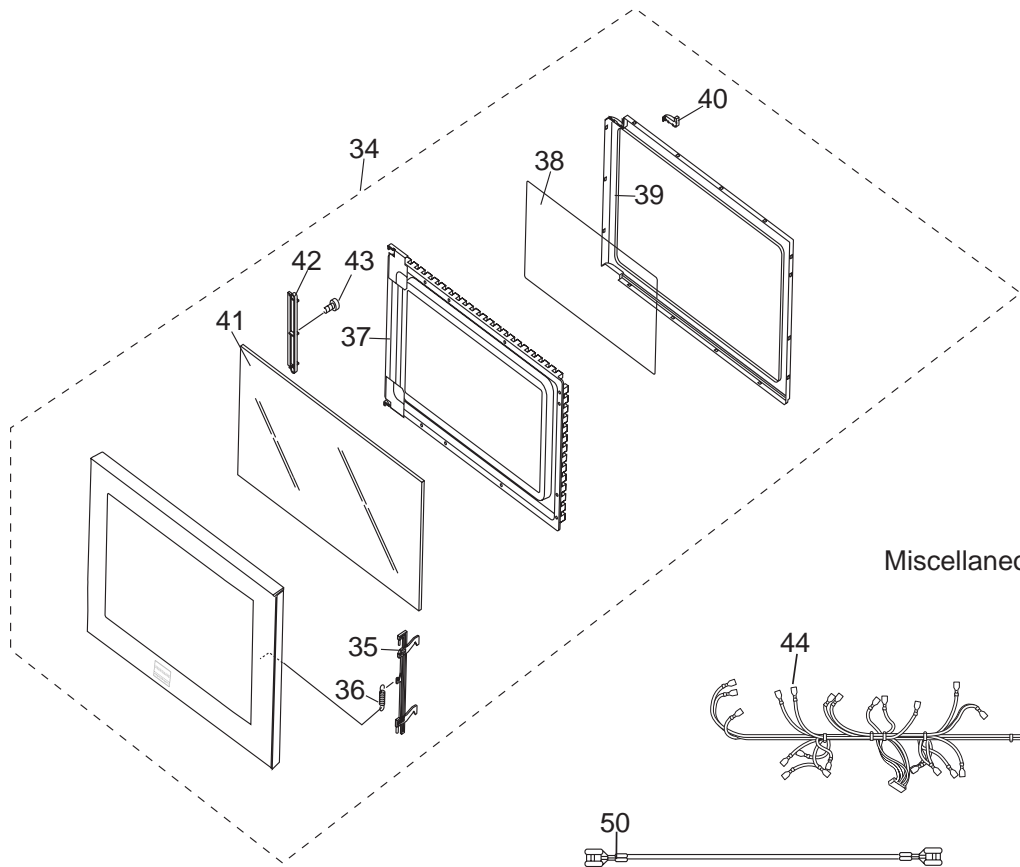
POS. NO	PART NO.	DESCRIPTION
1 #	5304478954	Capacitor/Rectifier Kit, HV
2 #	5303322968	Filter, noise, electronic
3 #	5304478955	Lamp Assembly, with socket
4 #	5304448490	Motor, cooling fan
5 #	5304468224	Switch, monitor, w/ceramic fuse
6 #	5304440026	Switch, interlock, door sensor
7 #	5304440780	Fuse, cavity temp, 20 Amp, 250 V
8 #	5304472253	Magnetron
9 #	5304440782	Motor, turntable
10 #	5304473321	Transformer, power
11 #	5304478937	Power Cord, electric
12 #	5304440785	Sensor, humidity, cook control
13	5304478938	Base, unit chassis
14	5304478939	Foot, cabinet support
15	5304478940	Cabinet, outer casing, black
21	5304478941	Retainer, capacitor strap
22	5304478942	Bracket, chassis support
23	5304478943	Latch Hook
24	5304478944	Lever, door release
25	5304478956	Duct, magnetron
26 #	5304467720	Fan Blade, mag cooling fan
27	5304478945	Duct, cooling fan
28	5304468230	Label, HWC Caution
29	5304478947	Cover, waveguide
30	5304467718	Bushing, motor shaft, turntable
31	5304472847	Label, menu
32	5304478948	Duct, humidity sensor
33	5304478949	Cushion, magnetron pad
45	5304478951	Support Assy, turntable, roller
46	5304440868	Tray, turntable, glass
47	5304467771	Label, Caution-monitor
48	5304467770	Label, Caution-DHHS
51	5304467780	Screw, 4 mm x 8 mm, Tap Tight
52	5303319641	Screw
53	5304462315	Screw, 4 mm x 12 mm, ground
54	5304451552	Screw, 4 mm x 8 mm, silver
55	5304467781	Screw, 3 mm x 6 mm
56	5304450253	Screw, 4 mm x 8 mm
57	5304440873	Screw, Torx, tamper proof
58	5304467777	Screw, 4 mm x 8 mm, black
59	5304451550	Screw, 4 mm x 8 mm
60	5304468226	Label, Caution-DHHS
62	5304453941	Label, caution, UL screw
63	5304478953	Label, height caution

**CONTROL PANEL,DOOR,MISC.**

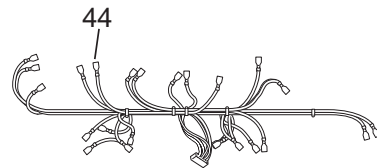
Control Panel Parts



Door Parts



Miscellaneous



CPMO209KFB-CONTROL

**CONTROL PANEL,DOOR,MISC.**

---

POS. NO	PART NO.	DESCRIPTION
16 #	5304472840	Control Board, printed circuit
17 #	5304472841	Control Panel Assy, stainless
18	5304472845	Push Button, door, stainless
19	5304440831	Spring, door button
20	5304456930	Screw, 3 mm x 10 mm
34	5304472848	Door Assy, complete, stainless
35	5304441893	Latch, door
36	5304440316	Spring, door latch
37	5304472852	Panel, inner door, light gray
38	5304440860	Seal, door, film
39	5304440861	Choke Cover, inner door
40	5304442145	Door Stop
41	5304472853	Panel, door glass, silver
42	5304440862	Door Stop
43	5304452259	Screw
44 #	5304478957	Wiring Harness, main
50 #	5304440870	Wire, high voltage-A
61	5304468232	Label, User Caution

### WIRING DIAGRAM

**SCHEMATIC**  
 NOTE: CONDITION OF OVEN  
 1. Door Closed  
 2. CLOCK APPEARS ON DISPLAY

NOTE: "\*" indicates components with potential above 250V.

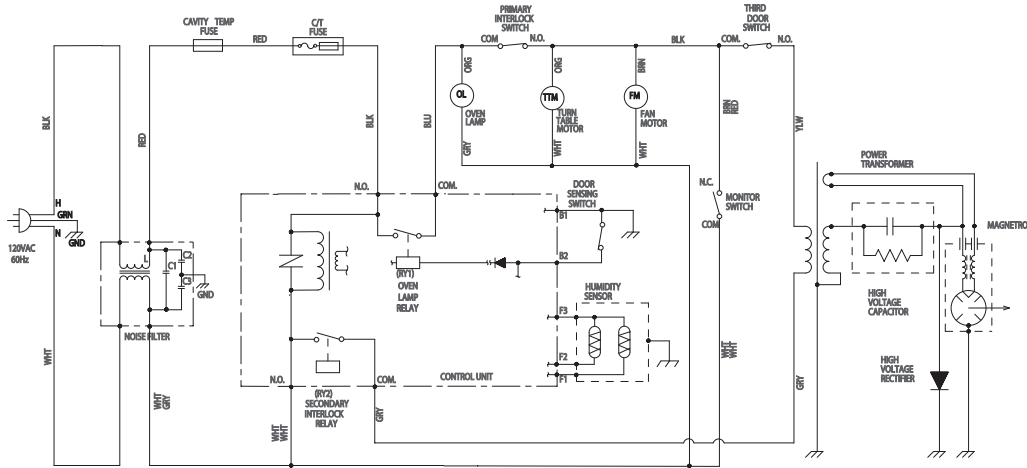


Figure O-1 Oven Schematic - Off Condition

**SCHEMATIC**  
 NOTE: CONDITION OF OVEN  
 1. DOOR CLOSED  
 2. COOKING TIME PROGRAMMED  
 3. VARIABLE COOKING CONTROL "HIGH"  
 4. "START" PAD TOUCHED

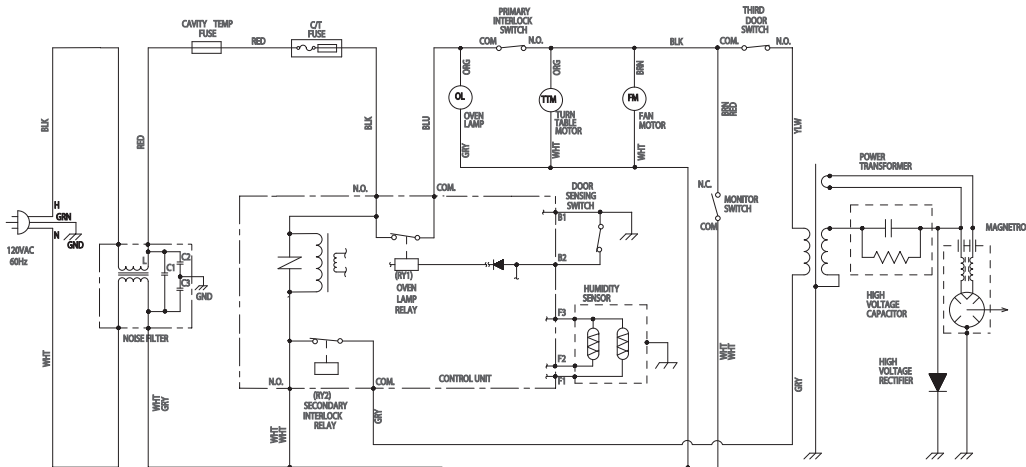


Figure O-2 Oven Schematic - Cooking Condition

## Free Manuals Download Website

<http://myh66.com>

<http://usermanuals.us>

<http://www.somanuals.com>

<http://www.4manuals.cc>

<http://www.manual-lib.com>

<http://www.404manual.com>

<http://www.luxmanual.com>

<http://aubethermostatmanual.com>

Golf course search by state

<http://golfingnear.com>

Email search by domain

<http://emailbydomain.com>

Auto manuals search

<http://auto.somanuals.com>

TV manuals search

<http://tv.somanuals.com>