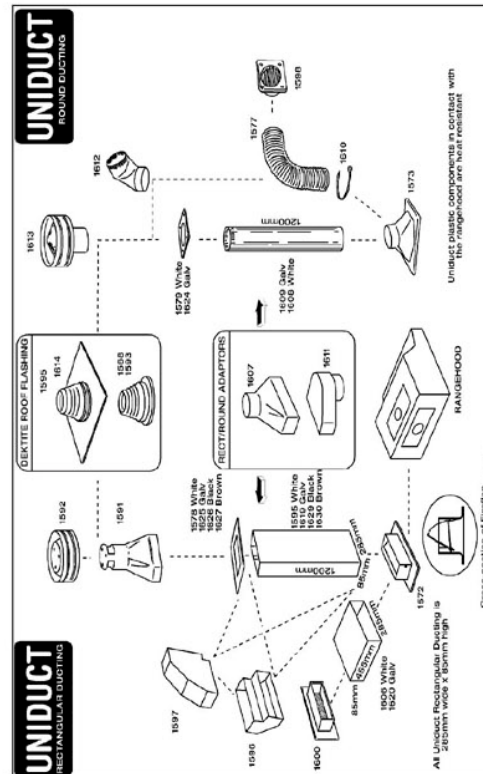


# WARNING

- This appliance is not intended for use by young children or infirm persons without supervision.
- Young children should be supervised to ensure that they do not play with the appliance.
- There shall be adequate ventilation of the room when the rangehood is used at the same time as appliances burning gas or other fuels.
- You must read the details concerning the method and frequency of cleaning.
- There is a fire risk if cleaning is not carried out in accordance with the instructions.
- Do not flambé under the rangehood.
- Exhaust air must not be discharged into a flue which is used for exhausting fumes from appliances burning gas or other fuels.
- The minimum distance between the hob surface and the lowest part of the rangehood. This distance shall be at least 650mm if the rangehood is installed over a gas hob.
- That regulations concerning the discharge of exhaust air have to be fulfilled.
- If the supply cord of this equipment is damaged, it must only be replaced by the manufacturer or its service agent or similarly qualified person in order to avoid a hazard.

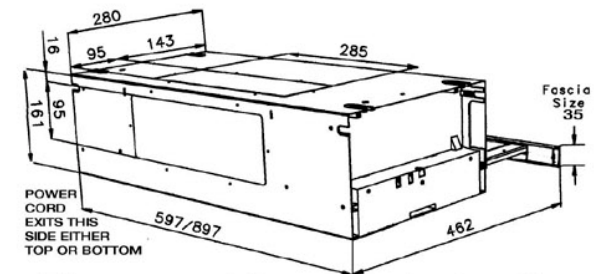


**Electrical Rating:**  
280W (1.16A) Max. at 240V 50Hz

# Fisher & Paykel

## INSTALLATION INSTRUCTIONS 2 SPEED SLIDEOUT MODELS

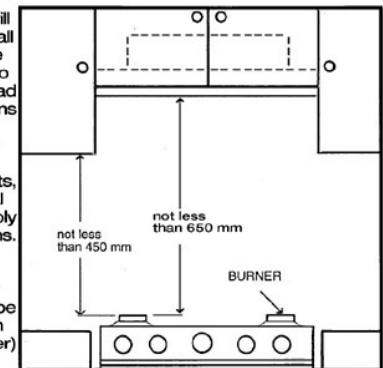
- |                       |                     |
|-----------------------|---------------------|
| 87621 WHITE 600mm     | 87597 SB600SS (AUS) |
| 87622 BLACK 600mm     | 87598 SB600WH (AUS) |
| 87623 STAINLESS 600mm |                     |
| 87647 WHITE 900mm     |                     |
| 87648 BLACK 900mm     |                     |
| 87649 STAINLESS 900mm |                     |



Please read the entire instruction before installing the rangehood.

### STEP 1. PRELIMINARY INSTRUCTIONS

The following steps will help you to easily install your rangehood in the manner most suited to your kitchen. Please read the complete instructions before installing your rangehood. Plan your ducting method and mounting arrangements, choose your electrical connection, then simply follow these instructions.



When installing the rangehood, the lower edge of the unit must be a minimum of 600mm (650mm for gas cooker) above the cooking range.

The recommended position for the hood is 650mm above the hotplates.

## STEP 2. PREPARING THE RANGEHOOD FOR INSTALLATION

If the rangehood is to be installed as a ducted hood, remove the appropriate duct knockout. See Diagram 1.

Refer to Steps 3 & 4 for MOUNTING METHODS and section on ALTERNATIVE DUCTING METHODS.

If the rangehood is to be installed as a recirculating hood, first ensure the overhead cabinets are built according to Diagram 2, and

- Remove Cover Tape 'A'. See Diagram 1
- Remove Front Fascia 'B' by undoing 3 screws. See Diagram 1.
- Replace 'B' with Replacement Front Panel 'C' constructed of same material as cupboard doors. See diagram 2 for height of panel.
- Now install the rangehood in accordance with step 3.

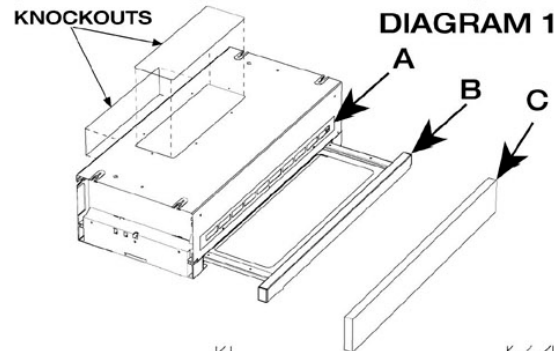


DIAGRAM 1

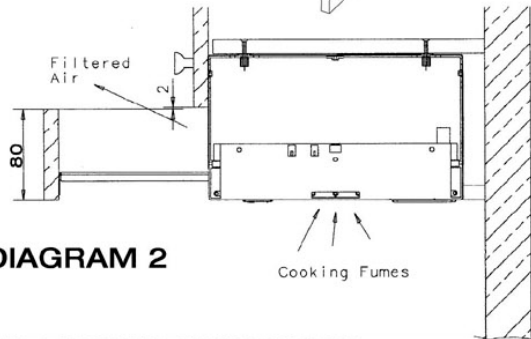


DIAGRAM 2

## STEP 3. MOUNTING THE RANGEHOOD

The Rangehood can be mounted in two ways, top and sides.

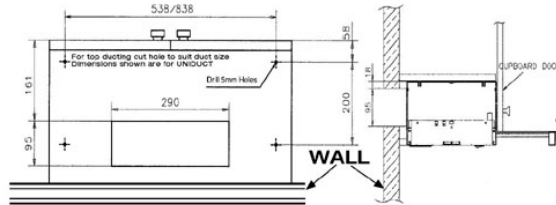
### TOP MOUNTING

The Rangehood can be top mounted under a shelf mounted at the right height in your wall units, by drilling 4 holes (see Diagram 3) and fixing with 4 screws supplied.

### SIDE MOUNTING

The Rangehood can be side mounted to your wall units, with 2 screws in each side into the vertical panels. To do this slide out the drawer and remove filter. You will see two mounting holes running through the moulded sides. Simply hold unit in place and screw in place. (Check screw length with thickness of cabinet panels)

## DIAGRAM 3



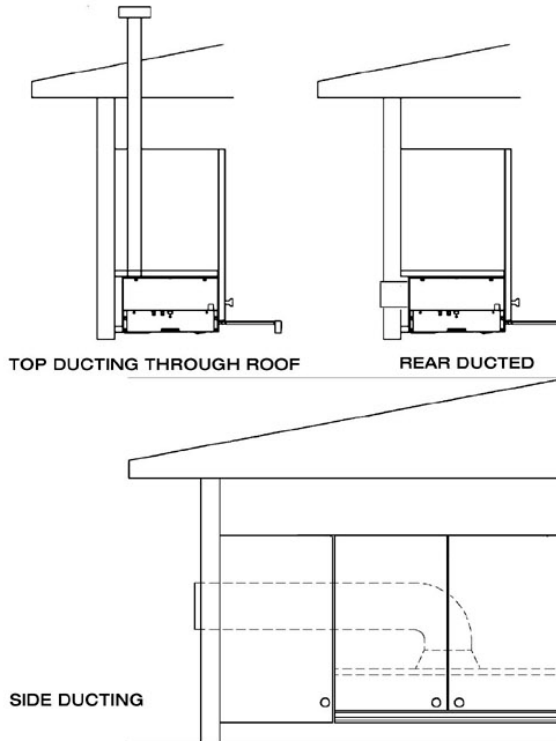
The fascia of the rangehood is retained by screws passing through the front lip of the tray as shown. If desired, this may be removed and replaced by a timber or laminated fascia to match adjoining cupboards.

The rangehood's 3 pin plug can be easily plugged into the nearest wall socket or if connected directly into the house wiring a registered electrician is required.

## STEP 4. ALTERNATIVE DUCTING METHODS

Some authorities require rangehoods to be vented to the outside air and DUCTED models comply with this requirement in every respect.

## DUCTING OPTIONS



## USE & CARE GUIDE

Thank you for choosing a FISHER&PAYKEL product. These instructions will help you derive the greatest benefit from it. Please remember to fill out the details on the warranty.

### LIGHT

The light is controlled by an ON/OFF switch in accordance with the graphics printed on the control panel.

### FAN

A two-speed rocker switch controls the fan speed. The High or Boost setting is only required when doing heavy cooking.

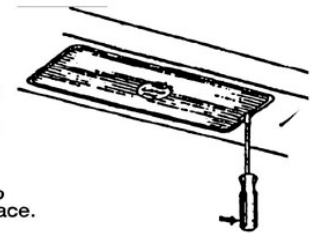
### FILTER MAINTENANCE

Filter can be removed by pulling the canopy open and slide filter forward.

To maintain efficiency the filter should be removed regularly (approximately monthly), and washed using soap or mild detergents or dishwasher powders. Badly smoked filter may be cleaned with "cookware cleaners".

### REPLACEMENT OF LIGHT GLOBE

To replace the globe, disconnect rangehood from power supply, insert a small screwdriver or slim knife as shown, ease catch to side and slip out plastic lens. Replace with 40 Watt light bulb. Slide plastic lens back into opening and 'click' into place.



### GENERAL MAINTENANCE

The rangehood should be cleaned regularly using warm water with soap or mild liquid detergents, so that no build-up of grease occurs as these deposits are corrosive. Do not use abrasives or harsh detergents/cleaning fluids.

## WARNING

Exhaust air must not be discharged into any chimney or flue, which may carry combustion products from other sources. In addition, exhaust air must not be discharged into a wall cavity, unless designed for the purpose.

## IMPORTANT:

THESE RANGEHOODS ARE NOT SUITABLE FOR BARBEQUES, OPEN ROTISSERIES, OR IN A COMMERCIAL APPLICATION

## Free Manuals Download Website

<http://myh66.com>

<http://usermanuals.us>

<http://www.somanuals.com>

<http://www.4manuals.cc>

<http://www.manual-lib.com>

<http://www.404manual.com>

<http://www.luxmanual.com>

<http://aubethermostatmanual.com>

Golf course search by state

<http://golfingnear.com>

Email search by domain

<http://emailbydomain.com>

Auto manuals search

<http://auto.somanuals.com>

TV manuals search

<http://tv.somanuals.com>