



---

A Sierra Monitor Company

**Driver Manual**  
**(Supplement to the FieldServer Instruction Manual)**

**FS-8704-16 Omron FINS**

**APPLICABILITY & EFFECTIVITY**

**Effective for all systems manufactured after May 1, 2004**

## TABLE OF CONTENTS

|   |           |
|---|-----------|
| <b>1. Omron FINS Description</b> .....                                | <b>1</b>  |
| <b>2. Driver Scope of Supply</b> .....                                | <b>2</b>  |
| 1.01 Supplied by FieldServer Technologies for this driver .....       | 2         |
| 1.02 Provided by the Supplier of 3 <sup>rd</sup> Party Equipment..... | 2         |
| 2.1.1. <i>Required 3<sup>rd</sup> Party Hardware</i> .....            | 2         |
| 2.1.2. <i>Required 3<sup>rd</sup> Party Software</i> .....            | 2         |
| 2.1.3. <i>Required 3<sup>rd</sup> Party Configuration</i> .....       | 2         |
| <b>3. Hardware Connections</b> .....                                  | <b>3</b>  |
| 1.03 Hardware Connection Tips / Hints.....                            | 3         |
| 1.04 Example of Omron PLC Configuration using Omron ETN11 Module..... | 4         |
| <b>4. Configuring the FieldServer as a FINS Client</b> .....          | <b>6</b>  |
| 1.05 Data Arrays/Descriptors .....                                    | 6         |
| 1.06 Driver Specific FieldServer Parameters .....                     | 7         |
| 1.07 Client Side Connection Descriptors.....                          | 7         |
| 1.08 Client Side Node Descriptors .....                               | 8         |
| 1.09 Client Side Map Descriptors.....                                 | 9         |
| 4.1.1. <i>FieldServer Related Map Descriptor Parameters</i> .....     | 9         |
| 4.1.2. <i>Driver Related Map Descriptor Parameters</i> .....          | 9         |
| 4.1.3. <i>Timing Parameters</i> .....                                 | 10        |
| 4.1.4. <i>Map Descriptor Example 1 – IO Read</i> .....                | 11        |
| 4.1.5. <i>Map Descriptor Example 2 – IO Write</i> .....               | 12        |
| 4.1.6. <i>Map Descriptor Example 3: Clock Read:</i> .....             | 13        |
| 4.1.7. <i>Map Descriptor Example 4: Clock Write:</i> .....            | 13        |
| 4.1.8. <i>Map Descriptor Example 5: Read CPU Cycle Times:</i> .....   | 13        |
| 4.1.9. <i>Map Descriptor Example 6: Run-Stop PLC:</i> .....           | 14        |
| 4.1.10. <i>Map Descriptor Example 7: Read CPU Status:</i> .....       | 14        |
| <b>5. Configuring the FieldServer as a FINS Server</b> .....          | <b>15</b> |
| 1.010 Server Side Connection Descriptors .....                        | 15        |
| 1.011 Server Side Node Descriptors.....                               | 16        |
| 1.012 Server Side Map Descriptors.....                                | 17        |
| 5.1.1. <i>FieldServer Specific Map Descriptor Parameters</i> .....    | 17        |
| 5.1.2. <i>Driver Specific Map Descriptor Parameters</i> .....         | 17        |
| 5.1.3. <i>Map Descriptor Example 1: IO Read</i> .....                 | 18        |
| 5.1.4. <i>Map Descriptor Example 2: IO Write</i> .....                | 19        |
| 5.1.5. <i>Map Descriptor Example 3: Clock Read:</i> .....             | 19        |
| 5.1.6. <i>Map Descriptor Example 4: Clock Write:</i> .....            | 19        |
| 5.1.7. <i>Map Descriptor Example 5: CPU Cycle Times:</i> .....        | 19        |
| 5.1.8. <i>Map Descriptor Example 6: Run-Stop PLC:</i> .....           | 20        |
| 5.1.9. <i>Map Descriptor Example 7: CPU Status:</i> .....             | 20        |
| <b>Appendix A. Advanced Topics</b> .....                              | <b>21</b> |
| Appendix A.1. Driver Map Descriptor Parameter's Bounds .....          | 21        |

|  |           |
|--|-----------|
| Appendix A.2. PLC status to execute commands ..... | 22        |
| Appendix A.3. End Codes.....                       | 23        |
| <b>Appendix B. Driver Notes .....</b>              | <b>30</b> |
| Appendix B.1. Data Storage .....                   | 30        |
| Appendix B.2. Driver stats .....                   | 32        |
| Appendix B.3. Driver Error Messages.....           | 33        |
| <b>Appendix C. Troubleshooting tips .....</b>      | <b>35</b> |
| Appendix C.1. Connection Tips & Hints .....        | 35        |
| <b>Appendix D. Revision History .....</b>          | <b>37</b> |

## 1. Omron FINS Description

The Ethernet Omron FINS driver allows the FieldServer to transfer data to and from devices over Ethernet using Omron FINS protocol. The FieldServer can emulate either a Server or Client.

FINS is an Omron protocol which can be used by a PLC program to transfer data and perform other services with a remote PLC connected on an Ethernet Network. It can also be used by remote devices such as PC's and FieldServer's to transfer data and perform other services.

The protocol uses the Ethernet protocol called UDP to carry the FINS messages back and forth. The UDP protocol is not connection based and reliability is achieved by using confirmation messages.

This Ethernet Driver can be used to transfer data to and from the Nodes supporting FINS communications.

### Max Nodes Supported

| FieldServer Mode | Nodes | Comments  |
|------------------|-------|---|
| Client           | 126   | Omron limit the set of permitted nodes to 126. They are numbered 1 to 126 corresponding to the last byte of the remote node IP address. |
| Server           | 20    | The FieldServer can emulate a maximum of 20 Omron FINS servers.   |

**2. Driver Scope of Supply**

1.01 Supplied by FieldServer Technologies for this driver

| <b>FieldServer Technologies<br/>PART #</b> | <b>Description</b>                         |
|--|--|
| FS-8915-10                                 | UTP cable (7 foot) for Ethernet connection |
| FS-8704-16                                 | Driver Manual.                             |

1.02 Provided by the Supplier of 3<sup>rd</sup> Party Equipment

**2.1.1. Required 3<sup>rd</sup> Party Hardware**

| <b>Part #</b> | <b>Description</b> |
|---------------|--------------------|
|               |                    |

**2.1.2. Required 3<sup>rd</sup> Party Software**

CX-Programmer Software or any other compatible Software by Omron to setup the PLC

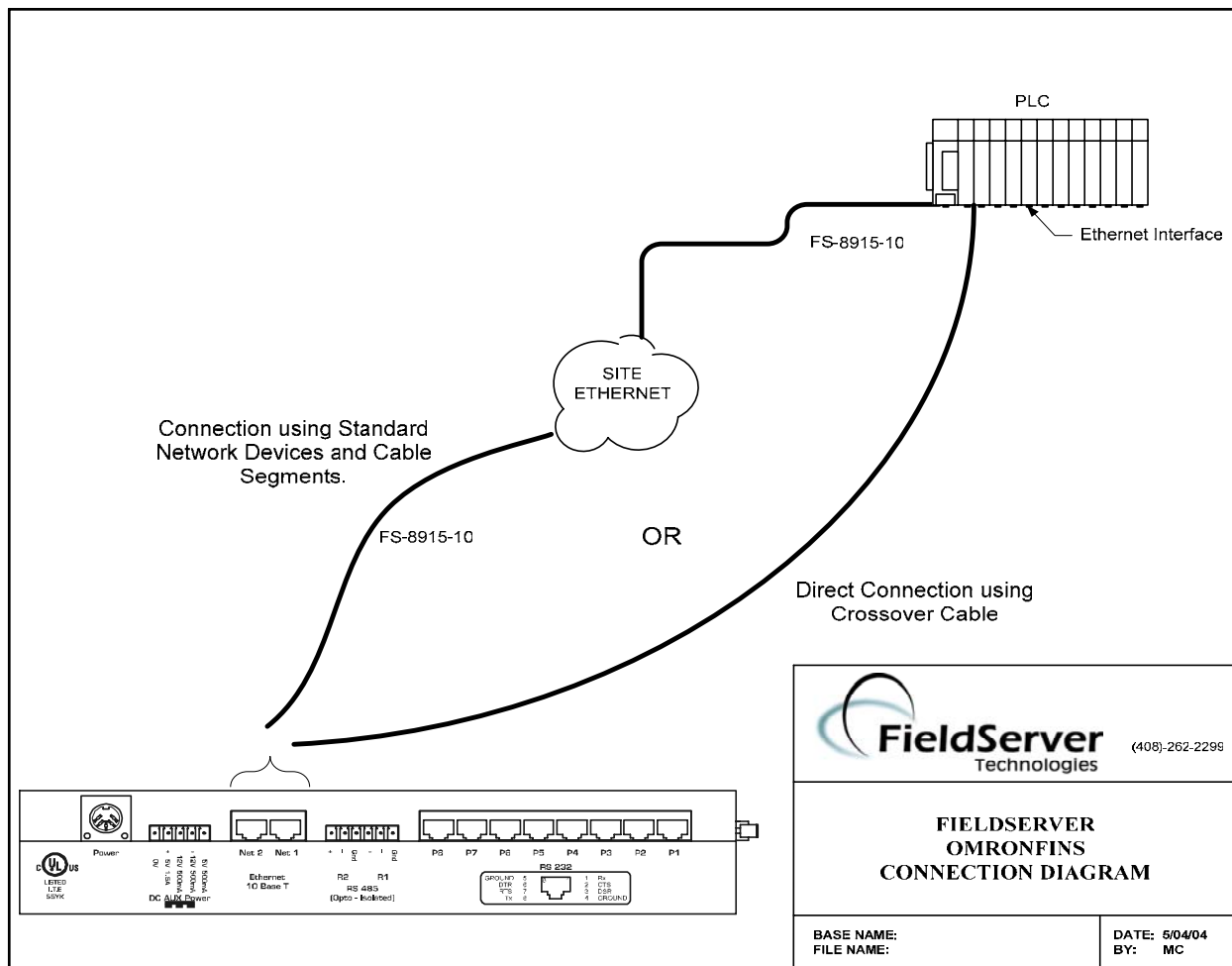
**2.1.3. Required 3<sup>rd</sup> Party Configuration**

The Omron PLC device needs to be set into the Automatic Address Generation mode using the CX-Programmer or any other compatible Software.

### 3. Hardware Connections

The FieldServer is connected to the PLC as shown in connection drawing.

Configure the PLC according to manufacturer’s instructions to work with other FINS supported device.



#### 1.03 Hardware Connection Tips / Hints

If communication doesn't start check the following.

1. Are the FieldServer and PLC on the same network?
2. Are all intended Nodes configured to communicate on FINS?
3. Are all FINS Nodes configured to use the same Port Number?

4. Is the Network healthy?

1.04 Example of Omron PLC Configuration using Omron ETN11 Module.<sup>1</sup>

**Setting the Node Number**



With the FINS communications service, when there are multiple Ethernet Units connected to the Ethernet network, the Ethernet Units are identified by node numbers. Use the node number switches to set the node number between 01 and 7E hexadecimal (1 to 126 decimal). Do not set a number that has already been set for another node on the same network.

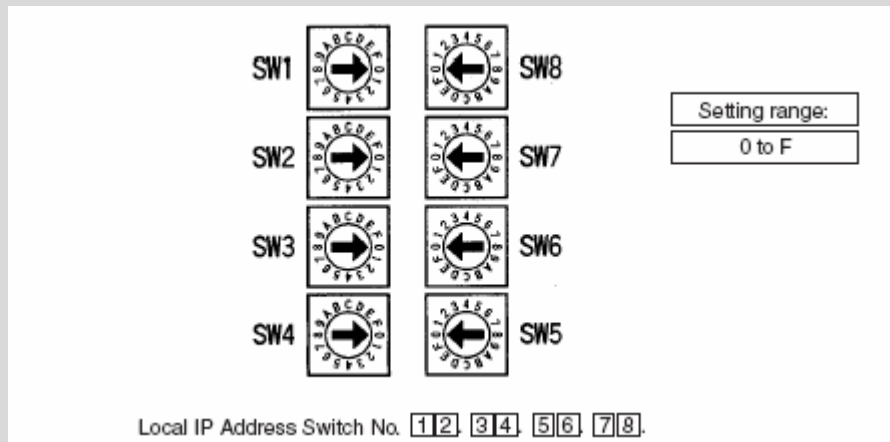
The left switch sets the sixteens digit (most significant digit) and the right switch sets the ones digit (least significant digit). The node number is factory set to 01. When using the automatic generation method for address conversion, set the node number to the same value as that of the local IP address switches. If this is not possible, then either the IP address table method or the combined method must be used for address conversion. For details, refer to 4-2 CPU

*Bus Unit System Setup.* If the FINS communications service is not being used over the Ethernet network, then there is no problem if the node number duplicates that of another Ethernet Unit. The node number must still be set from 01 to 7E, however, or the ERC indicator will light.

**Note** Turn OFF the power supply before setting the node number.

**Setting the Local IP Address**

The nodes on an Ethernet network are identified by IP addresses. Each IP address is set with 32 bits of binary data. These 32 bits are divided into four 8-bit fields called octets, and each octet is expressed as four decimal numbers. At CS-series Ethernet Units, four bits are expressed as a hexadecimal digit, and the eight hexadecimal rotary switches (the local IP address switches) on the back of the Unit are used to set the local IP address. Set the eight switches in hexadecimal as shown below, combining SW1 and SW2, SW3 and SW4, SW5 and SW6, and SW7 and SW8. Each switch can be set from 0 to F.



<sup>1</sup> The following notes are extracted from the Omron Manual “W343-E1-05 9/03”

The switches are all factory-set to 0 (00.00.00.00). The Ethernet Unit cannot be used with this setting; a proper IP address must be set.

The following settings cannot be made for the IP address, or the ERC indicator will flash.

All bits in the network number field set to 0 or 1.

All bits in the host number field set to 0 or 1.

All bits in the subnet number field set to 1.

The beginning of the IP address set to 127 (7F Hex) Example: 127.35.21.16

**Note** 1. When using the automatic generation method for address conversion, set switches 7 and 8 to the same values as the node number setting, and set the rest of the host number to zeroes. For details regarding the host number, refer to *1-7 IP Addresses*. The value for the host number field in the IP address must match the value for the node number or the ERC indicator will flash.

2. If a subnet mask is to be set, use the CX-Programmer to set it in the CPU Bus Unit System Setup. For details, refer to *4-2 CPU Bus Unit System Setup*.



#### 4. Configuring the FieldServer as a FINS Client

For a detailed discussion on FieldServer configuration, please refer to the FieldServer Configuration Manual. The information that follows describes how to expand upon the factory defaults provided in the configuration files included with the FieldServer (See “.csv” sample files provided with the FieldServer).

This section documents and describes the parameters necessary for configuring the FieldServer to communicate with a FINS Server. As a Client this driver reads and writes data to Server Nodes. Server nodes should be FINS capable and be configured to communicate over FINS

##### 1.05 Data Arrays/Descriptors

The configuration file tells the FieldServer about its interfaces, and the routing of data required. In order to enable the FieldServer for FINS communications, the driver independent FieldServer buffers need to be declared in the “Data Arrays” section, the destination device addresses need to be declared in the “Client Side Nodes” section, and the data required from the servers needs to be mapped in the “Client Side Map Descriptors” section. Details on how to do this can be found below.

Note that in the tables, \* indicates an optional parameter, with the bold legal value being the default.

| Section Title     |  |   |
|-------------------|--|---|
| Data Arrays       |  |   |
| Column Title      | Function   | Legal Values  |
| Data_Array_Name   | Provide name for Data Array  | Up to 15 alphanumeric characters  |
| Data_Array_Format | Provide data format. Each Data Array can only take on one format.  | Float, Bit, UInt16, SInt16, Packed_Bit, Byte, Packed_Byte, Swapped_Byte |
| Data_Array_Length | Number of Data Objects. Must be larger than the data storage area required by the Map Descriptors for the data being placed in this array. | 1-32767   |

**Example**

```
// Data Arrays
Data_Arrays
Data_Array_Name,      Data_Format,      Data_Array_Length,
DA_CIO,              UInt16,          5143
DA_WR,               UInt16,          511
DA_HR,               UInt16,          511
DA_DM,               UInt16,          32767
```

1.06 Driver Specific FieldServer Parameters

| Section Title  |   |              |
|----------------|---|--------------|
| FieldServer    |   |              |
| Column Title   | Function  | Legal Values |
| Title          | Name for FieldServer  | Text         |
| System_Node_Id | Specify physical node Id on network.<br>This is the last byte of the IP Address of the FieldServer. eg. If FieldServer's IP Address is 192.168.1.81 then this parameter should be set to 81 | 1-126        |

**Example**

```
// FieldServer Driver specific parameters
FieldServer
Title,                System_Node_Id
Fins Client,          81
```

1.07 Client Side Connection Descriptors

| Section Title   |                         |                            |
|-----------------|-------------------------|----------------------------|
| Adapter         |                         |                            |
| Column Title    | Function                | Legal Values               |
| Adapter         | Adapter Name            | N1, N2 <sup>2</sup>        |
| Protocol        | Specify protocol used   | Fins, omn_fins or fins_udp |
| Udp_port_number | Specify UDP port number | 0, 9600 etc                |

<sup>2</sup> Not all ports shown are necessarily supported by the hardware. Consult the appropriate Instruction manual for details of the ports available on specific hardware.

**Example**

```
// Client Side
Connections

Adapters
Adapter,          Protocol,          Udp_port_number
N1,              Fins,              9600
```

1.08 Client Side Node Descriptors

| Section Title |  |                                  |
|---------------|--|----------------------------------|
| Nodes         |  |                                  |
| Column Title  | Function   | Legal Values                     |
| Node_Name     | Provide name for node  | Up to 32 alphanumeric characters |
| IP_Address    | Provide IP Address of PLC  | Eg. 192.168.1.105                |
| Node_ID       | Node number set at PLC<br><br>The node number should correspond to the last byte of the IP address. Eg. 105 corresponds to the example IP address above. | 1-126                            |
| Protocol      | Specify protocol used  | Fins, omn_fins or fins_udp       |
| Adapter       | Specify which port the device is connected to the FieldServer  | N1, N2 <sup>3</sup>              |
| *Net_Number   | Provide the network number of PLC  | 1-255                            |

**Example**

```
// Client Side Nodes

Nodes
Node_Name,  IP_Address,  Node_ID,  Protocol,  Adapter,  Net_Number
PLC 1,     192.168.1.5,  1,       Fins,     N1,      1
```

<sup>3</sup> Not all ports shown are necessarily supported by the hardware. Consult the appropriate Instruction manual for details of the ports available on specific hardware.

## 1.09 Client Side Map Descriptors

**4.1.1. FieldServer Related Map Descriptor Parameters**

| Column Title        | Function   | Legal Values  |
|---------------------|--|---|
| Map_Descriptor_Name | Name of this Map Descriptor                                      | Up to 32 alphanumeric characters                            |
| Data_Array_Name     | Name of Data Array where data is to be stored in the FieldServer | One of the Data Array names from "Data Array" section above |
| Data_Array_Offset   | Starting location in Data Array                                  | 0 to maximum specified in "Data Array" section above        |
| Function            | Function of Client Map Descriptor                                | RDBC, WRBC, WRBX  |

**4.1.2. Driver Related Map Descriptor Parameters**

| Column Title                              | Function                        | Legal Values  |
|---|---------------------------------|---|
| Node_Name                                 | Name of Node to fetch data from | One of the node names specified in "Client Node Descriptor" above   |
| *Data_Type<br>(see Note 1 Appendix A.1)   | Data type                       | CIO-WORD, WR-WORD, HR-WORD, AR-WORD, EM-WORD  |
| Length                                    | Length of Map Descriptor        | 1- 729  |
| Address                                   | Starting address of read block  | 0, 1,...100, etc<br>see Appendix A.1 for details  |
| *Memory_Code<br>(see Note 1 Appendix A.1) | Memory code for PLC memory type | B0, B1, B2, B3, 82, 98 and A0 ---- AC   |
| Command_Name<br>(see Note 2 section 6.1)  | Name of the command             | MEMORY AREA READ<br>MEMORY AREA WRITE<br>RUN-STOP<br>CLOCK READ<br>CLOCK WRITE<br>CYCLE TIME READ<br>CPU UNIT STATUS READ |
| *MRC<br>(see Note 2 Appendix A.1)         | Main Request Code               | 1,4,6,7   |
| *SRC<br>(see Note 2 Appendix A.1)         | Sub Request Code                | 1,2,20  |

|              |                           |           |
|--------------|---------------------------|-----------|
| *Unit_Number | Unit number of CPU at PLC | 0,1,2 etc |
|--------------|---------------------------|-----------|

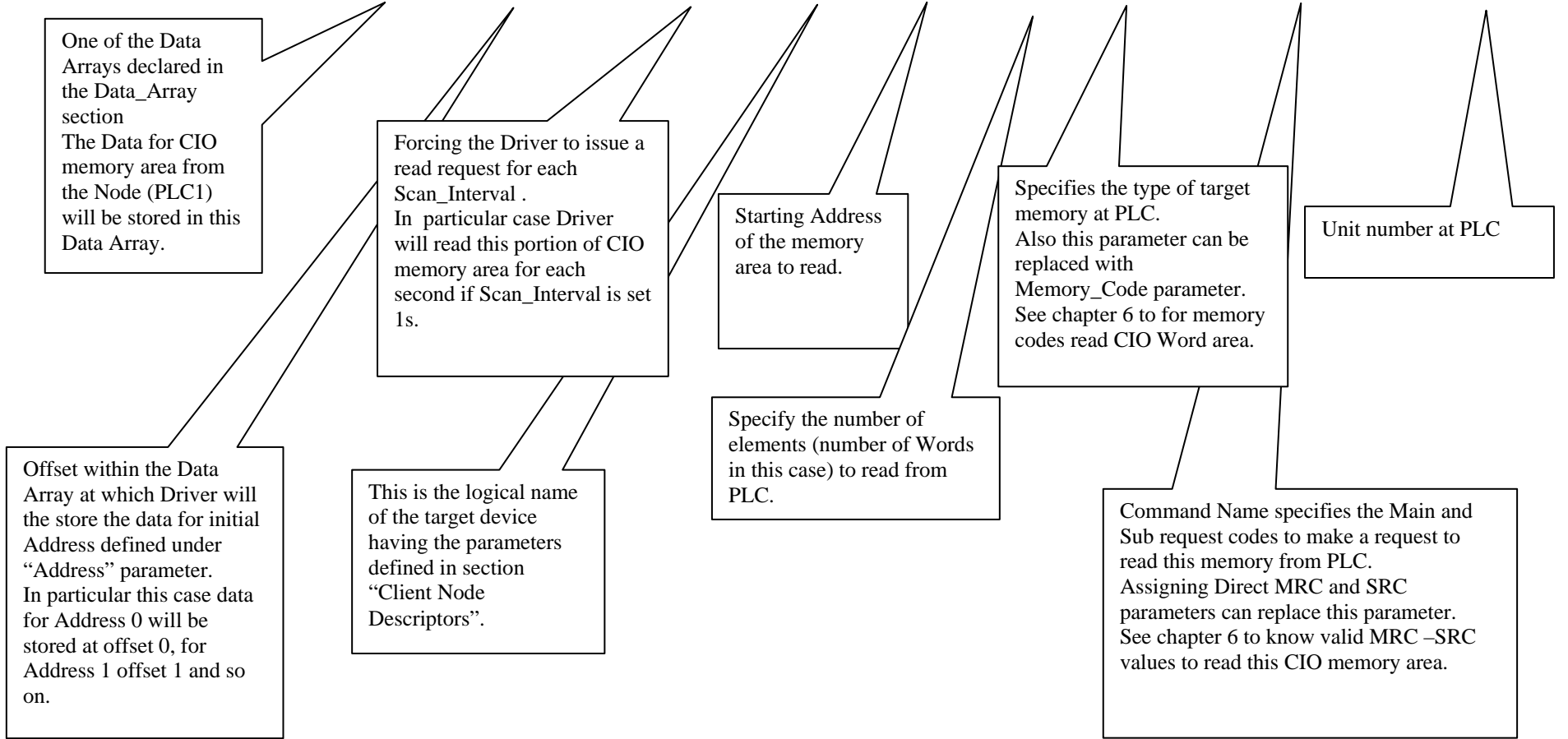
#### 4.1.3. Timing Parameters

| Column Title  | Function                     | Legal Values  |
|---------------|------------------------------|---------------|
| Scan_Interval | Rate at which data is polled | $\geq 0.001s$ |

### 4.1.4. Map Descriptor Example 1 – IO Read

This example provides all the required information to read and write to the IO memory area of the PLC. The following Map Descriptor creates a task for the driver to read the first 20 Words from the CIO memory area and store them in the Data Array DA\_CIO. The first word from the PLC will be stored as the first element in the Data Array. Whenever an upstream device writes any element in the Data Array, the Driver will write the same value to the PLC at the corresponding address. This scheme is known as Write-thru. In this example the Driver can write only one value at a time.

|                                  |                             |                          |                    |                    |                |                |                         |                                    |                  |
|----------------------------------|-----------------------------|--------------------------|--------------------|--------------------|----------------|----------------|-------------------------|------------------------------------|------------------|
| Map_Descriptor_Name,<br>CMD_CIO, | Data_Array_Name,<br>DA_CIO, | Data_Array_Offset,<br>0, | Function,<br>RDBC, | Node_Name<br>PLC1, | Address,<br>0, | Length,<br>20, | Data_Type,<br>CIO-WORD, | Command_Name,<br>MEMORY AREA READ, | Unit_number<br>0 |
|----------------------------------|-----------------------------|--------------------------|--------------------|--------------------|----------------|----------------|-------------------------|------------------------------------|------------------|



### 4.1.5. Map Descriptor Example 2 – IO Write

This example is used to write a value(s) to the PLC. The write is done when the contents of the Data Array are updated (written to by a remote device.). In the previous example, it was shown how a 'read' Map Descriptor can also be used to write by using FieldServer's Write-Through technology.

|                                   |                              |                          |                    |                    |                |                |                         |                                     |                  |
|-----------------------------------|------------------------------|--------------------------|--------------------|--------------------|----------------|----------------|-------------------------|-------------------------------------|------------------|
| Map_Descriptor_Name,<br>CMD_CIOw, | Data_Array_Name,<br>DA_CIOw, | Data_Array_Offset,<br>0, | Function,<br>WRBX, | Node_name<br>PLC1, | Address,<br>0, | Length,<br>20, | Data_type,<br>CIO-WORD, | Command_Name,<br>MEMORY AREA WRITE, | Unit_Number<br>0 |
|-----------------------------------|------------------------------|--------------------------|--------------------|--------------------|----------------|----------------|-------------------------|-------------------------------------|------------------|

One of the Data Arrays declared in the Data\_Array section (See section 1.05)  
The Data in this Data Array will be written to the PLC1.

Driver will fetch consecutive 20 (Length) elements starting from this offset to be written at Node PLC1

Forcing the Driver to issue a write request upon updating this dedicated portion of Data Array. In this case first 20 elements comes under dedicated portion for this map descriptor.  
  
Note : If WRBC , It will Force the Driver to issue a write request for each Scan\_Interval  
In this particular case Driver will write this portion of CIO memory area for each second.

Specify the number of elements (number of Words in this case) to read from PLC.

Specifies the type of target memory at PLC.  
Also this parameter can be replaced with Memory\_Code parameter.  
See Appendix A to for memory codes read CIO Word area.

Command Name specifies the Main and Sub request codes to make a request to write this memory from PLC.  
Assigning Direct MRC and SRC parameters can replace this parameter.  
See Appendix A to know valid MRC –SRC values to read this CIO memory area.

Unit number at PLC (Keep mostly zero, or undefined keep it zero)

**4.1.6. Map Descriptor Example 3: Clock Read:**

This Map Descriptor reads the PLC clock and stores the information in a Data Array DA\_CLK. For detail on how the Driver stores clock information see Appendix B.1.

| Map_Descriptor_Name, | Data_Array_Name, | Data_Array_Offset, | Function, | Node_Name, | Length, | Command_Name, | Unit_Number |
|----------------------|------------------|--------------------|-----------|------------|---------|---------------|-------------|
| CMD_CLKr,            | DA_CLKr,         | 0,                 | RDBC,     | PLC1,      | 7,      | CLOCK READ,   | 0           |

**4.1.7. Map Descriptor Example 4: Clock Write:**

Write-thru is not possible for Clock write. A dedicated Map Descriptor is required to overwrite the PLC clock. This Map Descriptor overwrites the clock whenever an upstream device updates the DA\_CLKw Data Array. See Appendix B.1 for details.

| Map_Descriptor_Name, | Data_Array_Name, | Data_Array_Offset, | Function, | Node_Name, | Length, | Command_Name, | Unit_Number |
|----------------------|------------------|--------------------|-----------|------------|---------|---------------|-------------|
| CMD_CLKw,            | DA_CLKw,         | 0,                 | WRBX,     | PLC1,      | 7,      | CLOCK WRITE,  | 0           |

**Note:** All elements must be updated in DA\_CLKw to set the clock as expected. Whenever any element updates, the Driver will write all seven values to the PLC along with the one updated value. If all elements are updated by the upstream device in a single operation then the Driver will also set the all elements at the PLC in a single operation.

**4.1.8. Map Descriptor Example 5: Read CPU Cycle Times:**

This Map Descriptor reads the CPU cycle time at the PLC and stores the data in a Data Array DA\_CYCT. Average, maximum and minimum cycle times will be stored in three consecutive locations starting with the location indicated by the Data\_Array\_Offset parameter. See Appendix B.1

| Map_Descriptor_Name, | Data_Array_Name, | Data_Array_Offset, | Function, | Node_Name, | Length, | Command_Name, | Unit_Number |
|----------------------|------------------|--------------------|-----------|------------|---------|---------------|-------------|
| CMD_CYCT,            | DA_CYCT,         | 0,                 | RDBC,     | PLC1,      | 3,      | CLOCK READ,   | 0s          |

The Driver stores these values as it gets them from the PLC. Scaling can provided to determine the unit in which the value is stored. Default is 10 times milliseconds.



**4.1.9. Map Descriptor Example 6: Run-Stop PLC:**

Defining this Map Descriptor Driver can change the PLC mode to STOP (Program), MONITOR or RUN mode. The Driver issues a change mode command to the PLC whenever the value at the declared offset is updated.

| Map_Descriptor_Name, | Data_Array_Name, | Data_Array_Offset, | Function, | Node_name | Length | Command_Name | Unit_Number |
|----------------------|------------------|--------------------|-----------|-----------|--------|--------------|-------------|
| CMD_RUN_ST,          | DA_RUN_ST,       | 0,                 | WRBX,     | PLC1,     | 1,     | RUN-STOP     | 0s          |

The Driver will change PLC modes depending upon the value poked by the upstream device at offset (0 in this case). See section Appendix B.1 for values corresponding to PLC modes.

**4.1.10. Map Descriptor Example 7: Read CPU Status:**

Defining this Map Descriptor Driver reads the CPU status and stores it in the Data Array DA\_STATUS.

| Map_Descriptor_Name, | Data_Array_Name, | Data_Array_Offset, | Function, | Node_name | Length | Command_Name         | Unit_Number |
|----------------------|------------------|--------------------|-----------|-----------|--------|----------------------|-------------|
| CMD_STATUS,          | DA_STATUS,       | 0,                 | REBC,     | PLC1,     | 67,    | CPU UNIT STATUS READ | 0s          |

The Driver stores the status information in the named Data Array at consecutive locations starting with Data\_Array\_Offset.

See Appendix B.1 for further information.

## 5. Configuring the FieldServer as a FINS Server

For a detailed discussion on FieldServer configuration, please refer to the FieldServer Configuration Manual. The information that follows describes how to expand upon the factory defaults provided in the configuration files included with the FieldServer (See “.csv” files on the driver CD).

This section documents and describes the parameters necessary for configuring the FieldServer to communicate with a FINS Client.

As a Server, the Driver responses to read requests and updates the FieldServer Data Arrays with write requests from the Client.

The configuration file tells the FieldServer about its interfaces, and the routing of data required. In order to enable the FieldServer for FINS communications, the driver independent FieldServer buffers need to be declared in the “Data Arrays” section, the FieldServer virtual node(s) needs to be declared in the “Server Side Nodes” section, and the data to be provided to the clients needs to be mapped in the “Server Side Map Descriptors” section. Details on how to do this can be found below.

Note that in the tables, \* indicates an optional parameter, with the bold legal value being the default.

### 1.010 Server Side Connection Descriptors

| Section Title   |                         |                            |
|-----------------|-------------------------|----------------------------|
| Adapter         |                         |                            |
| Column Title    | Function                | Legal Values               |
| Adapter         | Adapter Name            | N1, N2 <sup>4</sup>        |
| Protocol        | Specify protocol used   | Fins, omn_fins or fins_udp |
| Udp_port_number | Specify UDP port number | <b>0</b> ,9600 etc         |

### Example

|                            |                    |                         |
|----------------------------|--------------------|-------------------------|
| // Server Side Connections |                    |                         |
| Adapters                   |                    |                         |
| Adapter,<br>N1,            | Protocol,<br>Fins, | Udp_port_number<br>9600 |

<sup>4</sup> Not all ports shown are necessarily supported by the hardware. Consult the appropriate Instruction manual for details of the ports available on specific hardware.

1.011 Server Side Node Descriptors

| Section Title        |  |                                  |
|----------------------|--|----------------------------------|
| Nodes                |  |                                  |
| Column Title         | Function   | Legal Values                     |
| Node_Name            | Provide name for node  | Up to 32 alphanumeric characters |
| Node_ID              | Virtual Node number of FINS server.  | 1-126                            |
| Protocol             | Specify protocol used  | Fins, omn_fins or fins_udp       |
| Server_Hold_Timeout* | Specifies time FieldServer will reserve server side connection while waiting for the Client side to update data in Data_Array (if necessary) | >1.0s                            |
| Net_Number           | Provide the network number of FINS Server network  | 1-255                            |

**Example**

```
// Server Side Nodes
Nodes
Node_Name,      Node_ID,      Protocol,      Net_Numer
PLC 1,          1,          Modbus_RTU,   1
```

1.012 Server Side Map Descriptors

**5.1.1. FieldServer Specific Map Descriptor Parameters**

| Column Title        | Function   | Legal Values  |
|---------------------|--|---|
| Map_Descriptor_Name | Name of this Map Descriptor                                      | Up to 32 alphanumeric characters                            |
| Data_Array_Name     | Name of Data Array where data is to be stored in the FieldServer | One of the Data Array names from "Data Array" section above |
| Data_Array_Offset   | Starting location in Data Array                                  | 0 to maximum specified in "Data Array" section above        |
| Function            | Function of Server Map Descriptor                                | Server  |
|                     |  |   |

**5.1.2. Driver Specific Map Descriptor Parameters**

| Column Title                              | Function                        | Legal Values  |
|---|---------------------------------|---|
| Node_Name                                 | Name of Node to fetch data from | One of the node names specified in "Server Node Descriptor" above   |
| *Data_Type<br>(see Note1 Appendix A.1)    | Data type                       | CIO-WORD, WR-WORD, HR-WORD, AR-WORD, EM-WORD  |
| Length                                    | Length of Map Descriptor        | 1 to maximum specified in Data Array section above  |
| *Address                                  | Starting address of read block  | 0,100, 32767 etc<br>see section 6.1 for detail  |
| *Memory_Code<br>(see Note1 Appendix A.1)  | Memory code for PLC memory type | B0, B1, B2, B3, 82, 98 and A0 ---- AC   |
| *Command_Name<br>(see Note2 Appendix A.1) | Name of the command             | MEMORY AREA READ<br>MEMORY AREA WRITE<br>RUN-STOP<br>CLOCK READ<br>CLOCK WRITE<br>CYCLE TIME READ<br>CPU UNIT STATUS READ |
| *MRC<br>(see Note2 Appendix A.1)          | Main Request Code               | 1,4,6,7   |
| *SRC<br>(see Note2 Appendix A.1)          | Sub Request Code                | 1,2,20  |
| *Unit_Number                              | Unit number of CPU at PLC       | 0,1,2 etc   |

### 5.1.3. Map Descriptor Example 1: IO Read

The following Map Descriptor enables the Driver to serve the clients for CIO memory operations. The Command\_Name “MEMORY AREA READ” makes this memory readable.

| Map_Descriptor_Name, | Data_Array_Name, | Data_Array_Offset, | Function, | Node_Name | Address | Length | Data_Type | Command_Name     | Unit_Number |
|----------------------|------------------|--------------------|-----------|-----------|---------|--------|-----------|------------------|-------------|
| SRV_CIOr,            | DA_CIO,          | 0,                 | SERVER,   | PLC1,     | 0,      | 6143,  | CIO-WORD  | MEMORY AREA READ | 0           |

One of the Data Arrays declared in the Data\_Array section. Driver will serve client for CIO operations using this Data Array.

Starting location for data within Data Array

Specify the Driver to Serve Clients.

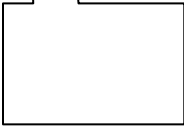
This is the logical name of the server device having the parameters defined in section “Server Node Descriptors”.

Starting Address of the memory area to serve.

Specify the number of elements (number of Words in this case) that this Map Descriptor can serve.

Specifies the type of memory to serve. Also this parameter can be replaced with Memory\_Code parameter. See chapter 6 to for memory codes

Command Name specifies the Main and Sub request codes to make a request to read this memory. Assigning Direct MRC and SRC parameters can replace this parameter. See chapter 6 to for MRC -SRC values to enable to read this CIO memory area.



**5.1.4. Map Descriptor Example 2: IO Write**

This Map Descriptor makes the memory area writable which was made readable by the previous Map Descriptor. Thus memory area can be made read only, write only or read and write enabled.

|                                   |                             |                          |                      |                    |               |                 |                       |                                   |                  |
|-----------------------------------|-----------------------------|--------------------------|----------------------|--------------------|---------------|-----------------|-----------------------|-----------------------------------|------------------|
| Map_Descriptor_Name,<br>SRV_CIOw, | Data_Array_Name,<br>DA_CIO, | Data_Array_Offset,<br>0, | Function,<br>SERVER, | Node_Name<br>PLC1, | Address<br>0, | Length<br>6143, | Data_Type<br>CIO-WORD | Command_Name<br>MEMORY AREA WRITE | Unit_number<br>0 |
|-----------------------------------|-----------------------------|--------------------------|----------------------|--------------------|---------------|-----------------|-----------------------|-----------------------------------|------------------|

**5.1.5. Map Descriptor Example 3: Clock Read:**

This Map Descriptor enables the Driver to serve the client with a Clock read request. See Appendix B.1 for further information

|                                   |                              |                          |                      |                    |              |                            |                   |
|-----------------------------------|------------------------------|--------------------------|----------------------|--------------------|--------------|----------------------------|-------------------|
| Map_Descriptor_Name,<br>SRV_CLKr, | Data_Array_Name,<br>DA_CLKr, | Data_Array_Offset,<br>0, | Function,<br>SERVER, | Node_Name<br>PLC1, | Length<br>7, | Command_Name<br>CLOCK READ | Unit_Number<br>0s |
|-----------------------------------|------------------------------|--------------------------|----------------------|--------------------|--------------|----------------------------|-------------------|

**5.1.6. Map Descriptor Example 4: Clock Write:**

This Map Descriptor enables the Driver to update Clock information when the Client makes a Clock Write request. See section Appendix B.1 for further information.

|                                   |                              |                          |                      |                    |              |                             |                  |
|-----------------------------------|------------------------------|--------------------------|----------------------|--------------------|--------------|-----------------------------|------------------|
| Map_Descriptor_Name,<br>SRV_CLKr, | Data_Array_Name,<br>DA_CLKr, | Data_Array_Offset,<br>0, | Function,<br>SERVER, | Node_name<br>PLC1, | Length<br>7, | Command_Name<br>CLOCK WRITE | Unit_Number<br>0 |
|-----------------------------------|------------------------------|--------------------------|----------------------|--------------------|--------------|-----------------------------|------------------|

**5.1.7. Map Descriptor Example 5: CPU Cycle Times:**

This Map Descriptor enables the Driver to serve Clients with CPU cycle time information upon request. See Appendix B.1 for further information.

|                                   |                              |                          |                      |                    |              |                            |                  |
|-----------------------------------|------------------------------|--------------------------|----------------------|--------------------|--------------|----------------------------|------------------|
| Map_Descriptor_Name,<br>SRV_CYCT, | Data_Array_Name,<br>DA_CYCT, | Data_Array_Offset,<br>0, | Function,<br>SERVER, | Node_Name<br>PLC1, | Length<br>7, | Command_Name<br>CLOCK READ | Unit_Number<br>0 |
|-----------------------------------|------------------------------|--------------------------|----------------------|--------------------|--------------|----------------------------|------------------|

**5.1.8. Map Descriptor Example 6: Run-Stop PLC:**

This Map Descriptor enables the Driver to give access to the Client to change the Server's Operating Mode. See Appendix B.1 for stored values corresponding to PLC modes.

| Map_Descriptor_Name, | Data_Array_Name, | Data_Array_Offset, | Function, | Node_Name | Length | Command_Name | Unit_Number |
|----------------------|------------------|--------------------|-----------|-----------|--------|--------------|-------------|
| SRV_RUN_ST,          | DA_RUN_ST,       | 0,                 | SERVER,   | PLC1,     | 1,     | RUN-STOP     | 0           |

**5.1.9. Map Descriptor Example 7: CPU Status:**

This Map Descriptor enables the Driver to respond to clients requesting CPU status. See Appendix B.1 for further information.

| Map_Descriptor_Name, | Data_Array_Name, | Data_Array_Offset, | Function, | Node_Name | Length | Command_Name         | Unit_Number |
|----------------------|------------------|--------------------|-----------|-----------|--------|----------------------|-------------|
| SRV_STATUS,          | DA_STATUS,       | 0,                 | SERVER,   | PLC1,     | 67,    | CPU UNIT STATUS READ | 0           |

**Appendix A. Advanced Topics**

*Appendix A.1. Driver Map Descriptor Parameter's Bounds*

Most Map Descriptors need to know the following

- The Data Type to be read or written: Specify Either  
 a) Data Type or  
 b) Memory Code.  
 This is how the driver determines which memory area of the PLC must be processed. (For EM Banks you can only specify the Memory\_Code.)
- The Command to be executed: Specify either  
 a) The command name or  
 b) The MRC/SRC Pair.

| Memory Type | Data_Type                            | Memory_Code                | Command_Name      | MRC | SRC | Address |
|-------------|--------------------------------------|----------------------------|-------------------|-----|-----|---------|
| I/O Memory  | CIO-WORD                             | B0                         | MEMORY AREA READ  | 1   | 1   | 0-6143  |
|             |                                      |                            | MEMORY AREA WRITE | 1   | 2   | 0-6143  |
|             | WR-WORD                              | B1                         | MEMORY AREA READ  | 1   | 1   | 0-511   |
|             |                                      |                            | MEMORY AREA WRITE | 1   | 2   | 0-511   |
|             | HR-WORD                              | B2                         | MEMORY AREA READ  | 1   | 1   | 0-511   |
|             |                                      |                            | MEMORY AREA WRITE | 1   | 2   | 0-511   |
|             | AR-WORD                              | B3                         | MEMORY AREA READ  | 1   | 1   | 0-959   |
|             |                                      |                            | MEMORY AREA WRITE | 1   | 2   | 448-959 |
|             | DM-WORD                              | 82                         | MEMORY AREA READ  | 1   | 1   | 0-32767 |
|             |                                      |                            | MEMORY AREA WRITE | 1   | 2   | 0-32767 |
|             | EM-WORD                              | 98 Present Current EM Bank | MEMORY AREA READ  | 1   | 1   | 0-32767 |
|             |                                      |                            | MEMORY AREA WRITE | 1   | 2   | 0-32767 |
|             | Not Available (Use only memory_code) | A0-AC (Any other EM Bank)  | MEMORY AREA READ  | 1   | 1   | 0-32767 |
|             |                                      |                            | MEMORY AREA WRITE | 1   | 2   | 0-32767 |



Appendix A.2. PLC status to execute commands

| PLC Type       | Memory Type            | Command name         | Run Mode | Monitor Mode | Program Mode | Access right <sup>5</sup> | UM Read Protection <sup>6</sup> | DIP UM Protection <sup>7</sup> |
|----------------|------------------------|----------------------|----------|--------------|--------------|---------------------------|---------------------------------|--------------------------------|
| CS1/CJ1 Series | I/O Memory             | MEMORY AREA READ     | OK       | OK           | OK           | OK                        | OK                              | OK                             |
|                |                        | MEMORY AREA WRITE    | OK       | OK           | OK           | OK                        | OK                              | OK                             |
|                | Operating Mode Changes | RUN                  | OK       | OK           | OK           | Disabled                  | OK                              | OK                             |
|                |                        | STOP                 | OK       | OK           | OK           | Disabled                  | OK                              | OK                             |
|                | Time Data Access       | CLOCK READ           | OK       | OK           | OK           | OK                        | OK                              | OK                             |
|                |                        | CLOCK WRITE          | OK       | OK           | OK           | Disabled                  | OK                              | OK                             |
|                | Status Reading         | CPU UNIT STATUS READ | OK       | OK           | OK           | OK                        | OK                              | OK                             |
|                |                        | CYCLE TIME READ      | OK       | OK           | Disabled     | OK                        | OK                              | OK                             |

<sup>5</sup> Access Right at Other Device: The Access right at other device column tells whether the CPU Unit can or cannot receive a command when another device has the access right to the CPU Unit.

<sup>6</sup> UM Read Protection: The UM read protection column tells whether the CPU Unit can or cannot receive the command when UM (user memory) is protected from a Peripheral Device.

<sup>7</sup> DIP Switch UM Protection: The DIP switch UM protection column tells whether the CPU Unit can or cannot receive a command when UM is write-protected by turning ON pin 1 of the DIP switch on the CPU Unit’s front panel.

*Appendix A.3. End Codes<sup>8</sup>*

The following table lists the main codes and the sub-codes, which combine to form the end code (response code) returned for a FINS command. The probable cause and corrections for each error code are also given. Depending on the command, the destination code will sometimes make a request of another node on a network. The other node is referred to as the third Node.

---

<sup>8</sup> This section is a reproduction of Section 5-1-3 End Codes from Omron Communication Commands Reference Manual (M11W342e160603.pdf)

| Main code                  | Subcode                             | Check point                   | Probable cause  | Correction  |
|----------------------------|-------------------------------------|-------------------------------|---|---|
| 00: Normal completion      | 00: Normal completion               | ---                           | ---   | ---   |
|                            | 01: Service canceled                | ---                           | Service was cancelled.  | Check the capacity of the destination area in the third node.   |
| Data link status           |                                     |                               | Service was cancelled.  | Check the status of the data link.  |
| 01: Local node error       | 01: Local node not in network       | Network status of local node  | Local node is not participating in the network.               | Connect the node to the network.  |
|                            | 02: Token timeout                   | Maximum node address          | Token doesn't arrive.   | Set the local node to within the maximum node address.  |
|                            | 03: Retries failed                  | ---                           | Send was not possible during the specified number of retries. | Execute a communications test between the nodes and re-examine the system environment if it fails.  |
|                            | 04: Too many send frames            | Number of enabled send frames | Cannot send because maximum number of event frames exceeded.  | Check event execution on the network and reduce the number of events per cycle.<br>Increase the maximum number of event frames.                   |
|                            | 05: Node address range error        | Node address                  | Node address setting error occurred.                          | Check the settings of the rotary switches to be sure that the address is within range and that each address is set only once in the same network. |
|                            | 06: Node address duplication        | Node addresses                | The same node address has been set twice in the same network. | Change the address of one of the nodes with the same address.   |
| 02: Destination node error | 01: Destination node not in network | INS indicator on Unit         | The destination node is not in the network.                   | Add the destination node to the network.  |
|                            | 02: Unit missing                    | Instruction control data      | There is no Unit with the specified unit address.             | Check the destination unit address.   |
|                            |                                     | 03: Third node missing        | Instruction control data                                      | The third node does not exist.  |
|                            | Command data                        |                               | Broadcasting was specified.                                   | Specify only one node for the third node.   |
|                            | 04: Destination node busy           | ---                           | The destination node is busy.                                 | Increase the number of retries or review the system so that the destination node does not receive so many messages.                               |
|                            | 05: Response timeout                | ---                           | The message was destroyed by noise.                           | Increase the number of retries or test communications between nodes to see if there is too much noise.  |
|                            |                                     | Instruction control data      | The response monitor time is too short.                       | Increase the length of the response monitor time.   |
|                            |                                     | Error history                 | The send/receive frame was discarded.                         | Take appropriate measures based on the error history.   |

| Main code                | Subcode                               | Check point                             | Probable cause  | Correction  |
|--------------------------|---------------------------------------|---|---|---|
| 03: Controller error     | 01: Communications controller error   | Unit/Board indicators                   | An error occurred in the communications controller.   | Take appropriate measures based on the operation manuals for the related Units/Boards.                                  |
|                          | 02: CPU Unit error                    | CPU Unit indicators at destination node | A CPU error occurred in the destination CPU Unit.   | Clear the error from the CPU Unit based on its operation manuals.   |
|                          | 03: Controller error                  | Board indicators                        | A response was not returned because an error occurred in the Board.                                 | Check network communications status and restart the Board. If the problem persists, replace the Board.                  |
|                          | 04: Unit number error                 | Unit number                             | The unit number was set incorrectly.  | Set the rotary switches correctly, being sure the unit numbers are within range and that each number is used only once. |
| 04: Service unsupported  | 01: Undefined command                 | Command code                            | The Unit/Board does not support the specified command code.   | Check the command code.   |
|                          | 02: Not supported by model/version    | Unit model and version                  | The command cannot be executed because the model or version is incorrect.                           | Check the model number and version.   |
| 05: Routing table error  | 01: Destination address setting error | Routing table                           | The destination network or node address is not set in the routing tables.                           | Register the destination network and node in the routing tables.  |
|                          | 02: No routing tables                 | Routing table                           | Relaying is not possible because there are no routing tables.                                       | Set routing tables in the source node, designation node, and relay nodes.   |
|                          | 03: Routing table error               | Routing table                           | There is an error in the routing tables.  | Set the routing tables correctly.   |
|                          | 04: Too many relays                   | Network configuration                   | An attempt was made to send to a network that was over 3 networks away                              | Reconstruct the networks or change the routing tables so that commands are sent within a range of 3 networks or less.   |
| 10: Command format error | 01: Command too long                  | Command data                            | The command is longer than the maximum permissible length.  | Check the command format and correct the command data.  |
|                          | 02: Command too short                 | Command data                            | The command is shorter than the minimum permissible length.   | Check the command format and correct the command data.  |
|                          | 03: Elements/data don't match         | Command data                            | The designated number of elements differs from the number of write data items.                      | Check the number of elements and set data for each element.   |
|                          | 04: Command format error              | Command data                            | An incorrect format was used.   | Check the command format and correct the command data.  |
|                          | 05: Header error                      | Routing table                           | Either the relay table in the local node or the local network table in the relay node is incorrect. | Set the routing tables correctly.   |

| Main code             | Subcode                         | Check point   | Probable cause  | Correction  |   |
|-----------------------|---------------------------------|---|---|---|---|
| 11: Parameter error   | 01: Area classification missing | Memory area code in command data                        | The specified word does not exist in the memory area or there is no EM Area.  | Check the memory areas and parameter codes in the command and correct the command data. |   |
|                       | 02: Access size error           | Access size specification in command data               | The access size specification is incorrect or an odd word address is specified.   | Check the memory areas and access size and correct the access size.                     |   |
|                       | 03: Address range error         | Starting address in command data                        | The start address in command process is beyond the accessible area.   | Check the area being processed and set the correct range.                               |   |
|                       | 04: Address range exceeded      | Starting address and number of elements in command data |   | The end address in command process is beyond the accessible area.                       | Check the area being processed and set the correct range. |
|                       |                                 |   | Data link tables  | The total number of words is beyond the limit.  | Correct the data link tables.                             |
|                       | 06: Program missing             | Program number in command data                          | FFFF Hex was not specified.   | Specify FFFF Hex.   |   |
|                       | 09: Relational error            | Command data  | A large-small relationship in the elements in the command data is incorrect.  | Check the command data and correct the relationship between the elements.               |   |
|                       |                                 | Data link table   | A node not set in the common link parameters is set as a refresh parameter.   | Correct the data link tables.   |   |
|                       | 0A: Duplicate data access       | I/O access in CPU Unit                                  | Differential monitoring was specified during data tracing or data tracing was specified during differential monitoring. | Abort the current process or wait until it ends before executing the command.           |   |
|                       |                                 | Data link tables  | The same node address is specified more than once.  | Correct the data link tables.   |   |
|                       | 0B: Response too long           | Number of elements in command data                      | The response format is longer than the maximum permissible length.  | Check the command format and correct the number of elements.                            |   |
|                       | 0C: Parameter error             | Parameters in command data                              | There is an error in one of the parameter settings.   | Check the command data and correct the parameters.                                      |   |
|                       |                                 | Data link table file                                    | There is an error in the file.  | Check the contents of the file.   |   |
| 20: Read not possible | 02: Protected                   | ---   | The program area is protected.  | Release protection from a Programming Device and then execute the command.              |   |
|                       | 03: Table missing               | Table   | A table has not been registered.  | Register a table.   |   |
|                       |                                 |   | There is an error in the table.   | Correct the table.  |   |
|                       | 04: Data missing                | ---   | The search data does not exist.   | ---   |   |
|                       | 05: Program missing             | Program number in command data                          | A non-existing program number has been specified.   | Check the program numbers and specify a valid one.                                      |   |
|                       | 06: File missing                | File name and file device                               | The file does not exist at the specified file device.   | Check the path and file name, and correct them.   |   |
|                       | 07: Data mismatch               | Contents of memory being compared                       |   | A data being compared is not the same.  | Check memory contents and use the correct data.           |
| ---                   |                                 |   | A file read operation failed.   | Check the contents of the file.   |   |

| Main code                           | Subcode                                       | Check point  | Probable cause   | Correction  |
|-------------------------------------|---|--|--|---|
| 21: Write not possible              | 01: Read-only                                 | ---  | The specified area is read-only.   | If the area is protected using a switch setting, release protection and then execute the command. If the area is permanently read-only, the command cannot be executed. |
|                                     | 02: Protected<br>Cannot write data link table | ---  | The program area is protected.   | Release protection from a Programming Device and then execute the command.  |
|                                     |   | PLC Setup  | Writing is not possible because automatic data link table generation has been specified. | Change the PLC Setup so that the data link tables can be manually written.  |
|                                     | 03: Cannot register                           | Number of files in file device                                     | The file cannot be created because the limit has been exceeded.                          | Delete any unnecessary files or create more file memory.  |
|                                     |   | Number of files open   | The maximum number of files has already been opened for the system limit.                | Close one or more files and then execute the command.   |
|                                     | 05: Program missing                           | Program number in command data                                     | A non-existing program number has been specified.  | Check the program numbers and specify a valid one.  |
|                                     | 06: File missing                              | File name  | The file does not exist at the specified file device.                                    | Correct the file name and then execute the command.   |
|                                     | 07: File name already exists                  | File name  | A file with the same name already exists in the specified file device.                   | Change the name of the file being written and then execute the command.   |
| 08: Cannot change                   | Contents of memory being changed              | The change cannot be made because doing so would create a problem. | ---  |   |
| 22: Not executable in current mode  | 01: Not possible during execution             | ---  | The mode is incorrect.   | Check the mode.   |
|                                     |   | Data link status   | The data link is operating.  | Check the status of the data links.   |
|                                     | 02: Not possible while running                | ---  | The mode is incorrect.   | Check the mode.   |
|                                     |   | Data link status   | The data links are active.   | Check the status of the data links.   |
|                                     | 03: Wrong PLC mode                            | ---  | The PLC is in PROGRAM mode.  | Check the modes of the PLC and computer.  |
|                                     | 04: Wrong PLC mode                            | ---  | The PLC is in DEBUG mode.  | Check the modes of the PLC and computer.  |
|                                     | 05: Wrong PLC mode                            | ---  | The PLC is in MONITOR mode.  | Check the modes of the PLC and computer.  |
|                                     | 06: Wrong PLC mode                            | ---  | The PLC is in RUN mode.  | Check the modes of the PLC and computer.  |
| 07: Specified node not polling node | ---   | The specified node is not the polling node.                        | Check node functioning as the polling node for the network.                              |   |
| 08: Step cannot be executed         | ---   | The mode is incorrect.   | Check step status.   |   |
| 23: No such device                  | 01: File device missing                       | Unit configuration   | The specified memory does not exist as a file device.                                    | Mount memory or format EM as file memory.   |
|                                     | 02: Memory missing                            | ---  | There is no file memory.   | Check the file memory to see if it is mounted.  |
|                                     | 03: Clock missing                             | ---  | There is no clock.   | Check the model.  |
| 24: Cannot start/stop               | 01: Table missing                             | Data link tables   | The data link tables have not been registered or they contain an error.                  | Set the data link tables.   |

| Main code                         | Subcode                        | Check point  | Probable cause  | Correction  |
|-----------------------------------|--------------------------------|--|---|---|
| 25: Unit error                    | 02: Memory error               | Contents of memory being processed                         | The contents of memory contains an error.   | Transfer the correct contents to memory.  |
|                                   | 03: I/O setting error          | I/O Unit configuration                                     | The registered I/O tables do not agree with the actual I/O configuration.         | Correct the I/O tables or the I/O configuration.  |
|                                   | 04: Too many I/O points        | Number of I/O in registered I/O tables                     | There are too many I/O points and remote I/O points registered.                   | Change the registered I/O table so that it is within the limit.   |
|                                   | 05: CPU bus error              | CPU bus line   | An error occurred in data transfer between the CPU and a CPU Bus Unit.            | Check Units, Boards, and cables to be sure they are connected correctly and then execute the ERROR CLEAR command.   |
|                                   | 06: I/O duplication            | Rack numbers, Unit numbers, and I/O addresses in PLC Setup | The same number/address was set more than once.                                   | Check the PLC Setup and correct the numbers/addresses so that each is used only once.   |
|                                   | 07: I/O bus error              | I/O bus line   | An error occurred in data transfer between the CPU and an I/O Unit.               | Check Units, Boards, and cables to be sure they are connected correctly and then execute the ERROR CLEAR command.   |
|                                   | 09: SYSMAC BUS/2 error         | SYSMAC BUS/2 transmission path                             | An error occurred in data transfer on the SYSMAC BUS/2 line.                      | Check Units, Boards, and cables to be sure they are connected correctly and then execute the ERROR CLEAR command.   |
|                                   | 0A: CPU Bus Unit error         | CPU Bus Unit transmission path                             | An error occurred in data transfer for a CPU Bus Unit.                            | Check Units, Boards, and cables to be sure they are connected correctly and then execute the ERROR CLEAR command.   |
|                                   | 0D: SYSMAC BUS No. duplication | Word settings  | The same word is allocated more than once.  | Check the I/O tables and correct the allocations.   |
|                                   | 0F: Memory error               | Status of memory being processed                           | A memory error has occurred in internal memory, a memory card, or EM file memory. | For internal memory, write the correct data and then execute the command.<br>For a memory card or EM file memory, the file data has been destroyed. Execute the FILE MEMORY FORMAT command.<br>If the problem persists, replace the memory. |
| 10: SYSMAC BUS terminator missing | ---                            | Terminators have not been set.                             | Set the terminators correctly.  |   |

| Main code                  | Subcode  | Check point  | Probable cause  | Correction  |
|----------------------------|--|--|---|---|
| 26: Command error          | 01: No protection  | Command protection for program area  | The specified area is not protected.  | An attempt was made to clear protection on an area that is not protected, i.e., there is no reason to clear protection.   |
|                            | 02: Incorrect password   | ---  | An incorrect password has been specified.   | Specify the correct password.   |
|                            | 04: Protected  | ---  | The specified area is protected.  | Clear protection from a Programming Device and then execute the command.  |
|                            |  | Number of commands being executed  | The node receiving the command is already processing 5 commands.  | Wait for current processing to end or force the end of a current process and then execute the command.  |
|                            | 05: Service already executing                                    | ---  | The service is being executed.  | Wait for the service to end or force the end of the service and then execute the command.   |
|                            | 06: Service stopped  | ---  | The service is not being executed.  | If necessary, start the service.  |
|                            | 07: No execution right   | LNK indicator on Unit/Board  | The right to execute the service has not been obtained.   | The local node is not in the data link. Execute the command from a node that is participating in the data link.   |
|                            |  | ---  | A response was not returned because a buffer error occurred.  | Restart the Board. If the problem persists, replace the Board.  |
|                            | 08: Settings not complete  | Settings required before execution   | The settings required before executing the service have not been made.  | Make the required settings.   |
|                            | 09: Necessary items not set                                      | Command data   | The required elements have not been set in the command data.  | Check the command format and set the required elements in the command data.   |
| 0A: Number already defined | Action numbers and transition numbers of program in program area | The specified action/ transition number has already been registered in a previous program. | Check the action/transition numbers to ones that are not being used and then execute the command.   |   |
|                            | 0B: Error will not clear   | Cause of error being cleared   | The cause of the error has not been removed.  | Remove the cause of the error and then execute ERROR CLEAR.   |
| 30: Access right error     | 01: No access right  | ---  | The access right is held by another device. (Online editing is being executed from another node or ACCESS RIGHT ACQUIRE or ACCESS RIGHT FORCE ACQUIRE has been executed by another node.) | Wait until the access right is released and then execute the command.<br>ACCESS RIGHT ACQUIRE or ACCESS RIGHT FORCE ACQUIRE can be executed to obtain the access right, but this may adversely affect processing by the node that previously held the access right. |
| 40: Abort                  | 01: Service aborted  | ---  | Service was aborted with ABORT command.   | ---   |



## Appendix B. Driver Notes

### Appendix B.1. Data Storage

#### **Clock Information**

| Element | Contents                                 |
|---------|--|
| 1       | Year (4 for 2004, 12 for 2012)           |
| 2       | Month                                    |
| 3       | Day of Month                             |
| 4       | Hours                                    |
| 5       | Minutes                                  |
| 6       | Seconds                                  |
| 7       | Day of the week (Sunday = 0, Saturday=6) |

#### **CPU Cycle Time**

| Element | Contents           |
|---------|--------------------|
| 1       | Average Cycle Time |
| 2       | Maximum Cycle Time |
| 3       | Minimum Cycle Time |

#### **PLC Mode**

| Stored Value | PLC Mode |
|--------------|----------|
| 1            | STOP     |
| 2            | MONITOR  |
| 3            | RUN      |

#### **CPU Status**

| ELEMENT NUMBER | CONTENTS | DESCRIPTION   |
|----------------|----------|---|
| 1              | 1        | CPU Status <sup>9</sup><br>1= Stop<br>2= Standby (waiting for signal from another Device)<br>3= Run |
|                | 2        |   |
|                | 3        |   |
| 2              | 1        | CPU Mode<br>1= PROGRAM<br>2= MONITOR<br>3= RUN  |
|                | 2        |   |
|                | 3        |   |
| 3              | 1/0      | 1: Memory Error   |
| 4              | 1/0      | 1: I/O Bus Error  |
| 5              | 1/0      | 1: Duplication Error  |
| 6              | 1/0      | 1: Fatal Inner Board Error  |
| 7              | 1/0      | 1: I/O Point overflow   |
| 8              | 1/0      | 1: I/O Setting Error  |
| 9              | 1/0      | 1: Program Error  |
| 10             | 1/0      | 1: Cycle Time Over  |
| 11             | 0        | -   |
| 12             | 1/0      | 1: FALS Error   |
| 13-18          | 0        | -   |
| 19             | 1/0      | 1: FAL Error  |
| 20             | Unknown  | Reserved for System   |
| 21             | 1/0      | 1: Interrupt Task Error   |
| 22             | 1/0      | 1: Basic I/O Unit Error   |
| 23             | Unknown  | Reserved for System   |
| 24             | 1/0      | 1: PLC Setup Error  |
| 25             | 1/0      | 1: I/O Verification Error   |
| 26             | 1/0      | 1: Inner Board Error  |
| 27             | 1/0      | 1: CPU Bus Unit Error   |
| 28             | 1/0      | 1: Special I/O Unit Error   |
| 29             | 1/0      | 1: Sysmac Bus Error   |
| 30             | 1/0      | 1: Battery Error  |
| 31             | 1/0      | 1: CPU Bus Unit Setting Error   |
| 32             | 1/0      | 1: Special I/O Unit-Setting Error   |
| 33-34          | Unknown  | Reserved for System   |
| 35-42          | 0        | -   |

9

| PLC Value | Driver Value | Meaning |
|-----------|--------------|---------|
| 0x00      | 1            | Stop    |
| 0x80      | 2            | Standby |
| 0x01      | 3            | Run     |

**Note:** During testing it has been found that the PLC Value corresponds with this book value. Hence the Driver stores or sends any other value as it is. User has to do some experiment on it.

| ELEMENT NUMBER | CONTENTS | DESCRIPTION           |
|----------------|----------|-----------------------|
| 43             | 1/0      | 1:Message # 7 Present |
| 44             | 1/0      | 1:Message # 6 Present |
| 45             | 1/0      | 1:Message # 5 Present |
| 46             | 1/0      | 1:Message # 4 Present |
| 47             | 1/0      | 1:Message # 3 Present |
| 48             | 1/0      | 1:Message # 2 Present |
| 49             | 1/0      | 1:Message # 1 Present |
| 50             | 1/0      | 1:Message # 0 Present |
| 51             | 0-65535  | Error Code            |
| 52-67          | A-Z      | 16 Character Text     |

Appendix B.2. Driver stats

In addition to the standard FieldServer operating statistics the driver exposes certain key stats in a Data Array if required. An upstream device can then monitor these stats.

Add the following to your configuration file to activate these stats.

```
// Expose Driver Operating Stats.

Data_Arrays
Data_Array_Name,          Data_Format,      Data_Array_Length
fins-stats,              UINT32,          200
```

| Stat Number | Stats          | Description   |
|-------------|----------------|---|
| 0           | FINS_BAD_START | Number of Messages received with bad start byte.                      |
| 1           | FINS_NET       | Number of Messages received with bad or unsupported Network Number.   |
| 2           | FINS_STATION   | Number of Messages received with bad or unsupported Node Number.      |
| 3           | FINS_UNIT      | Number of Messages received with bad or unsupported Unit Number.      |
| 4           | FINS_MRC       | Number of Messages received with bad or unsupported Main Request Code |
| 5           | FINS_SRC       | Number of Messages received with bad or unsupported Sub Request Code  |
| 6           | FINS_SID       | Number of Messages received with wrong or Sequence Id.                |

|    |                |  |
|----|----------------|--|
| 7  | FINS_ECODE     | Total number of Messages ignored by PLC due to error.                          |
| 8  | FINS_EMG       | Latest Main Error code returned by PLC.  |
| 9  | FINS_ESC       | Latest Sub Error code returned by PLC.   |
| 10 | FINS_EMRC      | Main and Sub Request codes for which PLC returned Error Code.                  |
| 11 | FINS_ESRC      |  |
| 12 | FINS_STOR_SP   | Number of times Driver ignored messages because of insufficient storage space. |
| 13 | FINS_NO_WR_THU | Number of blocked attempts to write data via write-thru operation.             |

Appendix B.3. Driver Error Messages

Some configuration errors might produce an error every time a poll is generated. This will fill the error buffer quickly and not add any clarity. For this reason the driver suppresses subsequent similar messages on the System Error Screen. Thus it is possible for the same error produced by multiple Map Descriptors to produce only one error message on the System Error screen. The driver displays subsequent error messages on the Driver Messages screen.

Note : In the actual message you will see that %d has been replaced by an integer, %s by text indicating a data array name or map descriptor name and %x by two hex characters.

| Error Message  | Description and Action Required  |
|--|--|
| FINS_UDP#1: Err. Not Enough Space for <%d> items.<br>When offset <%d> DA <%s> MD <%s><br>MRC <%2X> SRC<%2X>  | Data array length needs to be increased. <sup>10</sup>   |
| FINS_UDP#2: Err. MD <%s>.<br>Error Returned by PLC.<br>MRC <%2X> SRC<%2X><br>Main End Code <%2X> Sub End Code <%2X><br>See Driver Manual for End Codes detail... | This message shows a request that produced this error at the PLC. Check Appendix A.1 to see the detail for error and action. |
| FINS_UDP#3: FYI. MRC<%2X> SRC<%2X> Not Supported   | This command is not supported by the Driver.   |
| FINS_UDP#11: Err. Station Req/Ext <%d/%d>  | Response from PLC is not addressed to this Client.   |

<sup>10</sup> Some error messages require that the user correct a problem in the configuration. This is done by editing the configuration CSV file, downloading the modified file and resetting the FieldServer to have the changes take effect.

| Error Message  | Description and Action Required   |
|--|---|
| FINS_UDP#12: Err. Mrc-Src Reqd/Ext <%2X-%2X/%2X-%2X>   | Response from PLC not for current request.  |
| FINS_UDP#21: Err. Message from PLC is Not a Response> MRC <%2X> SRC <%2x> MD <%s>                  | Message from PLC for shown request is not a response.   |
| FINS_UDP#22: Err. Unknown Device with Parameters... Reqd/Ext dna <%d/%d> node <%d/%d> unit <%d/%d> | Response from PLC ignored because mismatching for any shown parameters.                                     |
| FINS_UDP#23: Err. Message Sequence Not Matched.Reqd/Ext <%d/%d> MRC <%2X> SRC <%2X> MD <%s>        | Response from PLC ignored because of mismatching request-response sequence Id.                              |
| FINS_UDP#24: FYI. Bad Start<%2X>   | The message was ignored because the first byte was bad.   |
| FINS_UDP#31 : FYI Net_Number set to 1 Node <%s>  | The Net_Number parameter is 0 or not specified. The Driver will automatically change it to the default of 1 |
| FINS_UDP#32 : FYI Udp Port is <%d>   | Information about UDP Port number in use.   |
| FINS_UDP#41: FYI. Write-thru not Possible On MD <%s>   | Upstream device tried Write-thru operation on other than IO memory area.                                    |
| FINS_UDP:#51 FYI. You could have used an Array called <%s> to expose diagnostic info. Read Manual. | Define an array to expose stats if required. See Appendix B.1   |

## Appendix C. Troubleshooting tips

### Appendix C.1. Connection Tips & Hints

1. Each transaction must be completed in one UDP message fragment. The maximum length of a UDP fragment is 1500 bytes. Thus, if you wanted to read 730 words of PLC memory you will need to configure two MD's. The one should have a length of 729 and the other a length of 1. The reason is that when the length is set to 729, then 729 words (or 1500 bytes including FINS and UDP header) of data are read and this is the maximum for one message fragment. Similarly as a Server, the Driver can handle transactions composed of a maximum 1500 bytes (or 729 Words).
2. Ensure that the IP Address of the PLC provided under IP\_Address parameter in configuration is correct
3. Ensure the Node number of the FieldServer on the network is mentioned under System\_Node\_Id parameter in configuration file
4. Ensure that the "Udp\_port\_number" parameter has the correct value in the configuration file
5. Omron PLC's respond to remote FINS polls by sending UDP response messages on the ethernet network. **The PLC does not use the IP address of the incoming poll to determine the IP address it must respond to.** The PLC builds the IP address it will send the response to using
  - 1) Its own IP address and the Node ID of the polling device or
  - 2) A routing table built using Omron software. To find out more information consult the Omron Manual W343-E1-3, Chapter 3 provides more information.

When the PLC uses its own IP address to build the IP address it will send the response to, then special consideration should be taken if the PLC IP address is Class A or B.

On a Class B network, the PLC uses the 1st two bytes of its own IP address, sets the 3rd byte to zero and sets the 4th byte equal to the polling station's Node\_Id.

#### Example: - Class B Addressing

A FieldServer with IP address=192.168.1.81 and system\_node\_id=34 polls for data from a PLC with IP address =192.168.2.33 and Subnet mask = 255.255.0.0

The PLC responds to       192.168.2.33  
                                  255.255.0.0  
                                  192.168.x.y

Where x is always set to zero and  
y is equal to 34 (The PLC obtains the node ID of 34 by inspecting the contents of the poll message.)

Therefore the PLC responds to 192.168.0.34 which is clearly the wrong address and the FieldServer will not see the response.

Example: - Class A Addressing

A FieldServer with IP address=192.168.1.81 and system\_node\_id=34 polls for data from a PLC with IP address =192.168.2.33 and Subnet mask = 255.255.0.0

The PLC responds to       192.168.2.33  
                              255.0.0.0  
                              192.x.x.y

Where x is always set to zero and  
y is equal to 34 (The PLC obtains the node ID of 34 by inspecting the contents of the poll message.)

Therefore the PLC responds to 192.0.0.34 which is clearly the wrong address and the FieldServer will not see the response.

Thus, if the PLC is using Class A/B IP addressing then the 3<sup>rd</sup> (Class B) or the 2nd and 3rd (Class A) bytes of the address must be zero as must the FieldServer's if communications are to work.

There are ways around this problem, we believe. The solution requires usage of the Omron PLC routing table. For more help consult with Omron's Tech Support.

### Appendix D. Revision History

| Date     | Resp | Format | Driver Ver. | Doc. Rev. | Comment   |
|----------|------|--------|-------------|-----------|---|
| 4/17/04  | SSS  |        | 0.00        | 0         | Issued for PMC review.  |
| 4/20/04  | PMC  |        | 0.00        | 1         | Reviewed and made some reference changes, some type changes, changed some wording and included Omron manual excerpts for IP address setting.  |
| 4/20/04  | SSS  |        | 0.00        | 2         | Changed section 7.1.4, Value from PLC does not agree with book value. Updated section 8.1 Maximum words are 729 Not 750. This is the limit for one UDP message fragment because of FINS and UDP header. |
| 4/20/04  | SSS  |        | 0.00        | 2         | Issued for Release.   |
| 5/20/04  | Meg  | Meg    | 0.00        | 3         | Reformatted document. Changed language and grammar. Improved readability of document. Updated according to DUR0356  |
| 6/14/04  | JD   |        | 0.00        | 4         | Releasing   |
| 8/26/04  | Meg  | Meg    | 0.00        | 5         | Updated according to DUR0372. Changed Appendix numbers to letters and updated cross referencing.  |
| 12/29/04 | JD   |        | 0.00        | 6         | Releasing   |



## Free Manuals Download Website

<http://myh66.com>

<http://usermanuals.us>

<http://www.somanuals.com>

<http://www.4manuals.cc>

<http://www.manual-lib.com>

<http://www.404manual.com>

<http://www.luxmanual.com>

<http://aubethermostatmanual.com>

Golf course search by state

<http://golfingnear.com>

Email search by domain

<http://emailbydomain.com>

Auto manuals search

<http://auto.somanuals.com>

TV manuals search

<http://tv.somanuals.com>