

NEW MODEL - 500 AND 280 CFM AVAILABLE

Tender

Decorative Collection

traditionally styled value rangehood

- wall canopy rangehood
- sleek styling
- 500 cfm or 280 cfm motor
- 2 halogen lights
- 3 speed slide controls
- dishwasher safe grease filters
- convertible to ductless*
- 6" round duct

* it is highly recommended that professional style cooking always be vented to the outside.



FABER

Size/Color/Model

500 CFM models

30 Stainless (NEW) 630006498

36 Stainless (NEW) 630006499

280 CFM models

30 Stainless (NEW) 630006500

36 Stainless (NEW) 630006501

Designed to offer a high-end decorative look while taking into consideration great value. Traditional styling, standard features, and solid performance make the Tender a great choice in canopy rangehoods.

a	24" High Backsplash
c	24" high, mounts to the wall beneath the rangehood for a coordinated look
c	30 x 24 Stainless 6098835
e	36 x 24 Stainless 6098815
s	30" High Backsplash
s	30" high, mounts to the wall beneath the rangehood for a coordinated look
o	30 x 30 Stainless 620000095
r	36 x 30 Stainless 620000096
i	High Ceiling Chimney Kit
e	One 39" upper chimney to replace 21 10/16" upper chimney that came with hood
s	Stainless 620000648

Ductless Conversion Kit

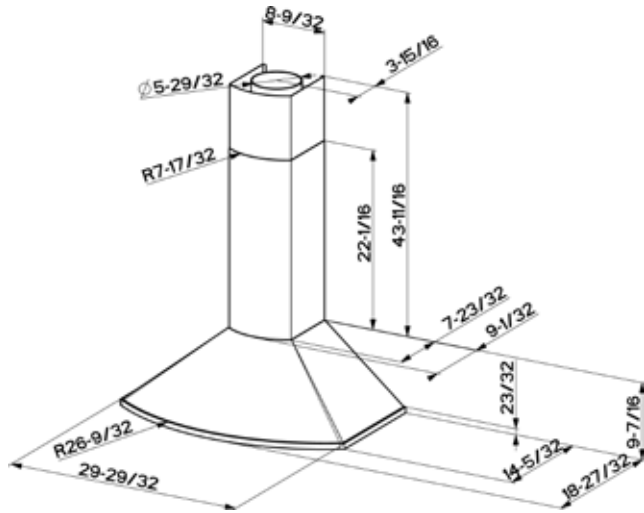
Includes: • Lower Chimney with holes for ducting • Ductless Diverter Assembly • Vent Grates • Charcoal Filter

Stainless 620000649

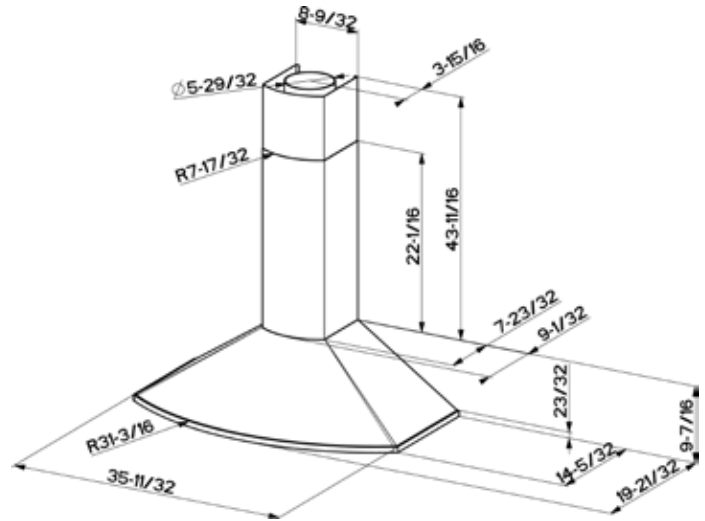
Replacement Charcoal Filter 6093034

Dimensional Diagrams

30" Ducted

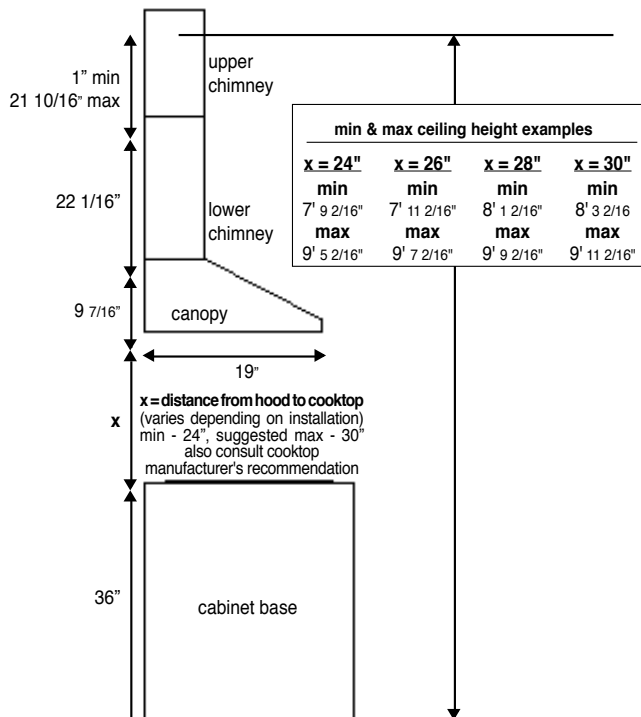


36" Ducted



Pre-Planning Your Installation - Important: Consult the installation instructions before you begin installing this rangehood.

Ducted



For ducted installations the chimneys are adjustable and designed to meet varying ceiling heights between 7' 9 2/16" and 9' 11 2/16" depending on the distance between the bottom of the hood and the cooktop (distance x in the ducted diagram).

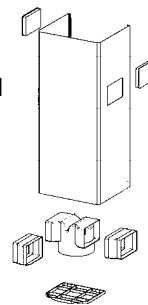
For shorter ceilings, have the chimney cover(s) cut at a sheet metal shop. For higher ceiling installations, the **High Ceiling Chimney Kit** includes a new 39" upper chimney which would replace the 21 10/16" upper chimney that came with the hood.

Note: If 24" or 30" **High Backsplash** is being installed, the distance between the bottom of the hood and the cooktop (distance x in diagram) is equal to the height of the **Backsplash**.

Pre-Planning Your Installation - Important: Consult the installation instructions before you begin installing this rangehood.

Make your ductrun as straight and short as possible. The ductrun should not exceed 35 equivalent feet if ducted with the required minimum of 6" round duct. Count 45° angles as 3 feet, 90° elbows as 5 feet, and 90° flat elbows as 12 feet.

For best results, use no more than three 90° elbows. Make sure that there is a minimum of 24" of straight duct between elbows if more than one is used. Do not install two elbows together. If you must elbow right away, do it as far away from the hood's exhaust opening as possible.



Ductless Installations*

For installations where ductwork is impossible or highly impractical, a **Ductless Conversion Kit** is available. A charcoal filter, which attaches under the blower assembly, absorbs smoke and odors. A ductless diverter assembly directs the air out to a lower chimney with vent grates cut into the sides.

* it is highly recommended that professional style cooking always be vented to the outside.

WARNING! Product specifications are subject to change without notification. Consult the installation instructions before you begin installing this rangehood.

Rev. 06/08

Free Manuals Download Website

<http://myh66.com>

<http://usermanuals.us>

<http://www.somanuals.com>

<http://www.4manuals.cc>

<http://www.manual-lib.com>

<http://www.404manual.com>

<http://www.luxmanual.com>

<http://aubethermostatmanual.com>

Golf course search by state

<http://golfingnear.com>

Email search by domain

<http://emailbydomain.com>

Auto manuals search

<http://auto.somanuals.com>

TV manuals search

<http://tv.somanuals.com>