

• *Designer Island Hood*

DIH900

Installation & User's instructions



Fig.1

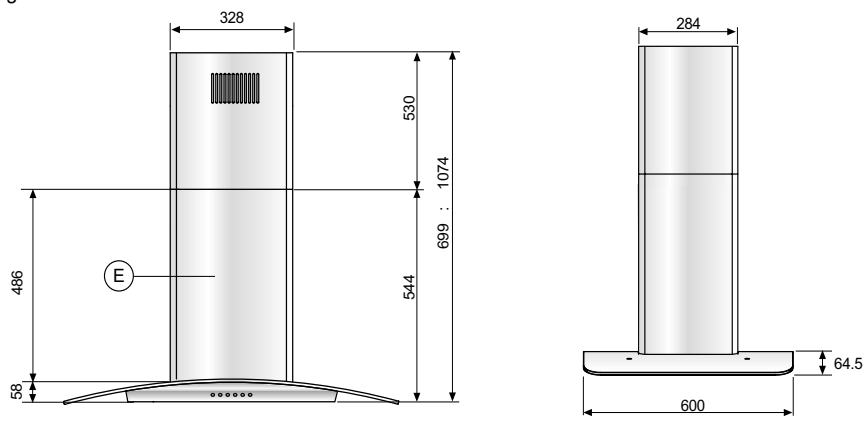


Fig.2

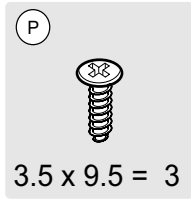
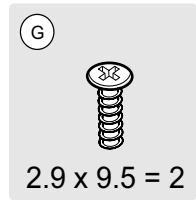
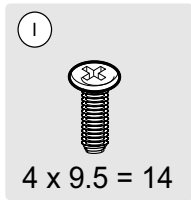
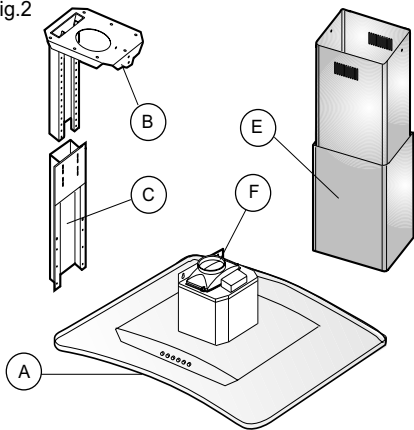


Fig.3

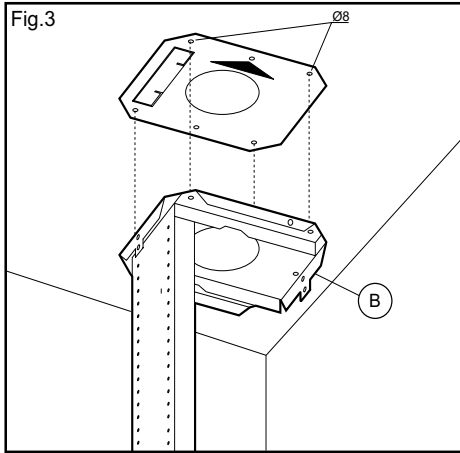


Fig.4

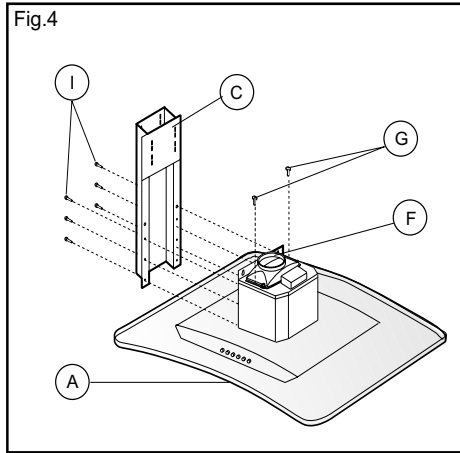


Fig.5

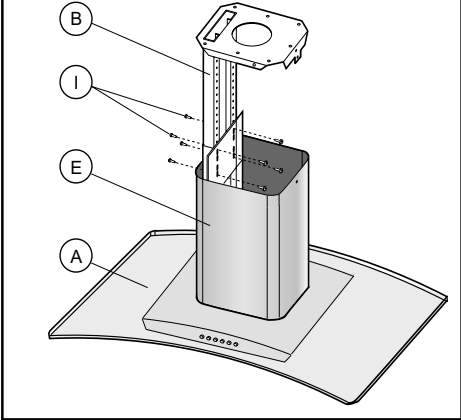


Fig.6

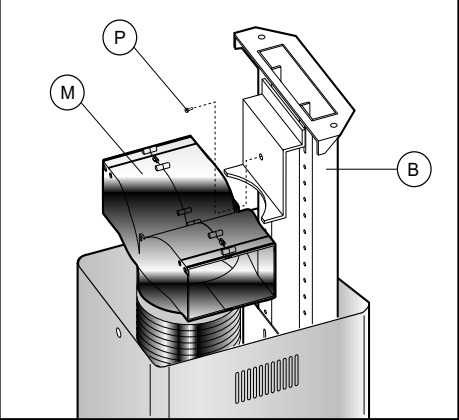


Fig.7

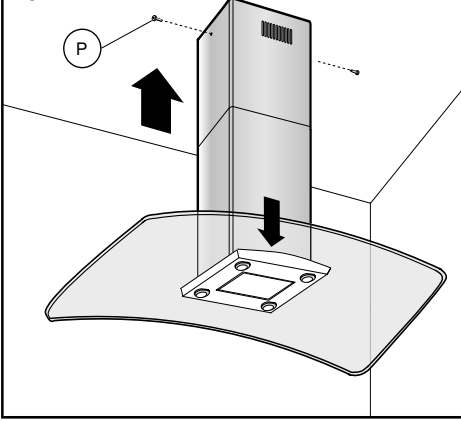
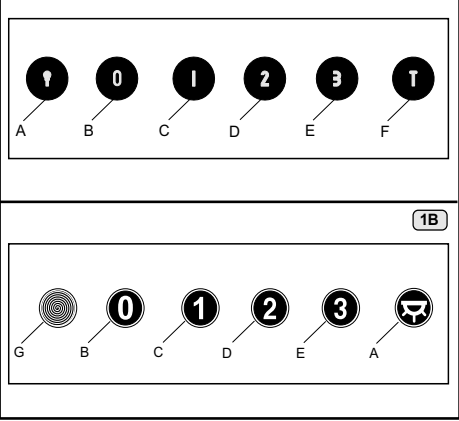


Fig.8



• Your new Belling Island Hood

Dear Customer

These instructions are designed to help you know your new cooker hood quickly and to achieve the best possible results.

It is most important that this instruction book should be retained with the appliance for future reference. Should the appliance be sold or transferred to another owner, or should you move house and leave the appliance, always ensure that the book is supplied with the appliance in order that the new owner can be acquainted with the functioning of the appliance and the relevant warnings. Please ensure that you have read the whole instruction book before using the appliance and that you follow the recommendations.

Warnings

These warnings are provided in the interest of safety. Please read carefully before installing or using the appliance.

1. Keep children away from the product.
2. Any installation work must be undertaken by a competent person and installed in accordance with the current IEE regulations.
3. It is dangerous to alter the specification or modify the product in any way.
4. If this appliance is to be connected to a ventilation system, it should not be joined with a ventilation system from any other appliance.
5. The product should be serviced by an authorised Belling service engineer and only genuine Belling spare parts should be used.

• General information

This instruction book applies to various models and your model may not have all functions described:

This cooker hood is guaranteed and will give lasting service. The guarantee is only applicable if the hood has been installed in accordance with these instructions.

The cooker hood has been designed for use fixed directly to the ceiling.

The hood can be used to extract odours to the outside or to recirculate the air within the kitchen after passing through a cleansing charcoal filter. Charcoal filters are supplied as an optional extra, please phone Belling Spares department on 0844 815 3745 and quote part number DCH900004.

The hood is convertible to either function.

Belling disclaims any liability for any damage or injury caused as a result of not following the installation instructions.

Warning: This hood is designed for domestic use only.

When used in the extraction mode the cooker hood ducting must not be connected to a flue which is used for exhausting fumes from appliances supplied with energy other than electric, such as a central heating flue or a water heater flue.

If the room where the cooker hood is to be used contains a fuel burning appliance such as a central heating boiler, then its flue must be of the room sealed or balanced flue

type. If other types of flue or appliances are fitted, ensure there is adequate ventilation in the room.

All installations must comply with local authority requirements for the discharge of exhaust air.

• Positioning

When installed above a cooking appliance the distance between the surface of the appliance hotplate and the lower grill of the hood must not be less than 65cm (25½").

This appliance is suitable for ceiling heights of approximately 236cm (7'9") and 273cm (9'0") depending on the installation. If you have a ceiling greater than this height please ring our spares department on 0844 815 3745 for the tall ceiling kit (see Optional Extras).

If the cooker hood is installed for use above a gas appliance then the provision for ventilation must be in accordance with the Gas Safety (Installation and Use) Regulations and the relevant building regulations.

Warning: The fan motor of this cooker hood incorporates a thermal cut-out which will operate if the cooker hood is installed below the minimum recommended height or the motor overheats. If the cut-out operates. Switch off the cooker hood and allow the motor to cool, the cutout will then reset itself.

• Unpacking

Care should be taken when unpacking the cooker hood to ensure that the following parts are not discarded.

- Components

The hood consists of:

1 hood body **A** complete with controls and lights

1 upper mounting structure **B**.

1 lower mounting structure **C**.

1 complete telescopic flue **E**.

1 connecting flange **F**.

1 air deflector **M**.

1 bag containing:-

2 x **G** screws

14 x **I** screws

3 x **P** screws

Fixing template

Instructions and documents

• Installation Instructions

• Mounting the Cooker Hood

A) With the aid of the paper template placed with the arrow corresponding to the cooker hood control side, mark the centre of the holes and drill 8 mm diameter (Fig.3)holes to suit location. Use 4 or more fixing holes according to the location.

Note: Depending on the location and the construction of ceiling, it may be necessary to use a more substantial method of fixing, e.g. nuts and bolts, rather than normal self-tapping or wood screws.

B) Mount the connector flange **F** above the cooker hood ventilation kit, using the **G** screws (Fig. 4).

Couple the lower mounting structure **C** with the cooker hood **A** using the 6 screws **I** (Fig. 4).

Connect a flexible air discharge tube (not supplied), of 120mm diameter, to the **F** flange (Fig. 6)

Recirculating mode only : fix the air deflector **M** (fig. 6) to the upper mounting structure **B** using the appropriate screw **P**.

C) Mount the cooker hood supporting the chimney flues and inserting the lower mounting structure to the upper mounting structure, confirm the height and fix the 2 structures together with the appropriate 8 screws **I** (fig. 5).

Recirculating mode only : connect the flexible tube previously mounted on the **F** flange to the deflector **M** (fig. 6)

External exhaust mode : connect the discharge tube previously mounted to the **F** flange to the external discharge pipe.

• Internal Exhausting

Charcoal filters are used to purify the air which will be recycled into the room. The filters cannot be washed or regenerated and must be replaced every 4 months.

The charcoal filters are supplied as an optional extra, please phone Belling Spares department on 0844 815 3745 and quote part number CHT28.

Saturation of the activated charcoal depends on more or less extensive use of the hood, the type of kitchen and the regularity of cleaning the grease filter. The air is recycled into the room through the slots in the flue E.

• Electrical Connection

Before connecting to the mains supply ensure that the voltage is as stated on the rating plate inside the cooker hood.

Warning: This appliance is fully insulated and must not be earthed.

The appliance comes with a 2 core mains cable and should be permanently connected to the electricity supply via a double pole switched fused spur outlet with a minimum contact clearance of 3mm in both poles.

Installation must comply with the latest IEE regulations and must be carried out by a competent person.

The cooker hood must be protected by a 3-amp fuse.

• Use and Maintenance

If your model has mechanical controls it is advisable to switch the cooker hood on a few minutes before cooking starts and that it be left on for about 15 minutes after cooking is completed to exhaust all the odours.

If your model has luminous controls, switch on a few minutes before cooking starts and activate the automatic stop timer to allow the cooker hood to continue functioning for about 15 minutes after cooking is completed to exhaust all the odours.

On the front of the hood there are (Fig. 8):

1A) LUMINOUS

A = LIGHT

B = OFF

C = SPEED I

D = SPEED II

E = SPEED III

F = AUTOMATIC STOP TIMER - 15 minutes

The "Automatic stop timer" allows the hood to continue functioning for 15 minutes at the operating speed set at the time this function is activated.

1B) MECHANICAL

A = LIGHT

B = OFF

C = SPEED I

D = SPEED II

E = SPEED III

G = MOTOR WORKING indicator

Good functioning of the hood depends on the regularity with which maintenance operations are carried out, in particular of the anti-grease filters and the activated charcoal filter. The anti-grease filters have the function of holding back grease particles suspended in the air, and are thus subject to clogging with time depending on the frequency of use of the appliance.

Clean the filters every 2 months, carrying out the following operations:

- Remove the filters from the hood and wash them with warm soapy water.
- Rinse in abundant lukewarm water and leave them to dry.
- The filters may also be washed in the dishwasher.

The aluminium panels may be subject to colour alterations due to many washes. This is natural over time and will not affect the performance of the appliance.

In case of inobservance of the washing instructions there is a risk of the filter catching fire.

Frequently clean off all the deposits on the fan and other surfaces, using warm soapy water.

• Replacement of the Halogen Lamp

WARNING!! DISCONNECT FROM MAINS BEFORE CHANGING LAMP

Note: The bulb is not covered by the guarantee as it is a consumable item.

Lamps are available from our spares department, please ring 0844 815 3745 and quote part no.CHT265B

To replace the halogen lamp, carefully prise off the cover and remove complete with the lamp glass.

Put in the new lamp taking care not to touch the glass with fingers and replace lamp glass and cover.

• Do's and Don'ts

Do take extra care when frying

Do clean grease filters and hood regularly

Do change charcoal filters regularly
Don't leave naked flames under the cooker hood
Don't leave frying pans unattended during use as overheated fat may catch fire
Don't flambé cook under the cooker hood
Don't try to check the filters when the hood is in operation.
Don't touch the lamp after prolonged use of the appliance.

• If your cooker hood doesn't work

Check the power supply
Is the hood switched on?
Has the hood become too hot and switched itself off?
If hood is still not working call for service

This appliance conforms to the following EEC directives

Low Voltage Directive

73/23/EEC

93/68/EEC

Electromagnetic Compatibility

89/336/EEC

92/31/EEC

93/68/EEC



• Optional extras

Please quote the following part number if you require a ducting or tall ceiling kit.

Filter	DCH900004
Ducting Kit Short	CHIM100004 (1m)
Ducting Kit Long	CHIM100004A (3m)
Tall ceiling kit Stainless Steel	DIH900002
Tall ceiling kit Aluminium	DIH900003

• Calling for Service

Please contact your retailer in the first instance. If you experience difficulty contact Belling Appliances (After Sales Division)

Remember that you may be charged for the visit (even during the guarantee period) if nothing is found to be wrong with the appliance, so always check the instructions in case you have missed anything.

Belling Appliances After Sales Division (Service)
Tel: 08444 815 3746 (all calls will be charged at local rate)

Before contacting a service agent, please note the following details about your cooker:

Model Number

Serial Number

Date of Purchase

Also note your Postcode

In order to provide a complete service history for your cooker please ask the service engineer to record the appropriate details in the chart below.

Date	Nature of Fault	Parts replaced or repaired	Authorised stamp or signature



Belling Appliances Ltd.

Stoney Lane, Prescott, Merseyside L35 2XW

PART No. DIH900001/01/02

Free Manuals Download Website

<http://myh66.com>

<http://usermanuals.us>

<http://www.somanuals.com>

<http://www.4manuals.cc>

<http://www.manual-lib.com>

<http://www.404manual.com>

<http://www.luxmanual.com>

<http://aubethermostatmanual.com>

Golf course search by state

<http://golfingnear.com>

Email search by domain

<http://emailbydomain.com>

Auto manuals search

<http://auto.somanuals.com>

TV manuals search

<http://tv.somanuals.com>