



Instruction Manual for the Data Recorder GPS Expander

Document Version 1.2

Model # GPS-001

Thank you for your purchase! This instruction manual will guide you through the installation and operation of your GPS Expander. **Please read the entire manual carefully before proceeding.** If, after you read the manual, you have further questions or problems, see the Support page on <http://www.eagletreesystems.com> for additional information, or email us at support@eagletreesystems.com.

Features

The GPS Expander is designed to be used with Eagle Tree recording and wireless telemetry products. The Expander consumes very little power, and has battery backup for quick hot and warm starts. The Expander is tiny and lightweight, making it perfect where weight and size are issues. See the Specifications section below for more information.

Supported Products

The GPS Expander is compatible with Eagle Tree Systems Flight Data Recorder V2, Car Data Recorders and Boat Data **Recorders with firmware version 4.10 or higher**. It is also fully compatible with Seagull **Dashboards with firmware version 4.11 or higher**. If you have firmware lower than this version, email support@eagletreesystems.com for upgrade information.

Packing List

Your package should include the following: GPS Expander, and a printed version of this manual. Please check your packaging for printed addenda to this manual which may be included if changes were made after printing.

How the GPS Expander Works

When coupled The GPS Expander uses satellite information to determine position, speed, altitude, course, distance to operator, and UTC time.

Connecting the GPS Expander to the Recorder

The 4 wire connector attached to the GPS Expander plugs into the rightmost port of your Data Recorder as shown in Figure 1. Make sure that you connect it in the correct location on the recorder, and with the correct polarity!

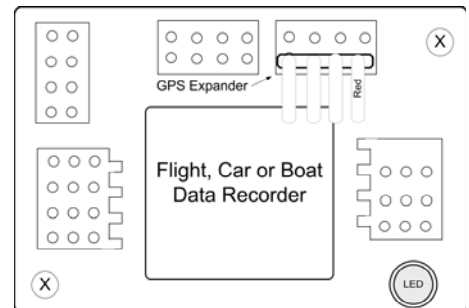


Figure 1 - Connection of GPS Expander

Installing the GPS Expander in your Model

The GPS Expander should be mounted with Velcro in your vehicle so that the top part (with the label) is facing toward the sky. Normally, it is satisfactory to have the expander inside the vehicle, since the skin of most vehicles is relatively thin. If you have difficulty getting a signal, try mounting it externally to the vehicle.

Setting up the GPS Expander with your Recorder

To use the GPS expander, first ensure that you have the latest version of the Windows application (the app). App updates are available as a free download from the support page of our website, for our customers.

When configured with the recorder, the Expander will record all GPS parameters as listed in the features section above, and the data is also available on the Seagull Wireless Dashboard.

If you wish to record GPS data, choose “Tools, Choose What To Log” in the app, and select “GPS Parameters”. This indicates to the recorder that GPS data should be recorded. Note that you DO NOT need to record GPS data to see it live on the Seagull Dashboard.

To configure the app to display the GPS data, choose “Tools, Choose What to Display” in the app, and select the GPS Parameters you wish to see. Here is a description of the parameters available:

GPS Coordinates – this option displays the Latitude and Longitude parameters of the flight. These parameters are displayed just below the playback controls in the app.

Show GPS In DMS Mode – when this checkbox is checked, the GPS Latitude and Longitude are displayed in Degrees:Minutes:Seconds.Seconds mode. When this box is unchecked, the parameters area displayed in Degrees:Minutes.Minutes mode.

GPS UTC Time – this option displays the UTC time as received from the GPS Expander. The UTC is displayed in the Total Length/Progress window when this option is selected.

GPS Altimeter Gauge/Numeric GPS Altitude – these options display GPS altitude. Note that GPS altitude takes several minutes to stabilize, after the GPS expander/recorder are powered. Also note that this altitude is above MSL (Mean Sea Level). Depending on the “Metric” button on this page, the altitude is displayed in either feet or meters.

GPS Speed Gauge/Numeric GPS Speed – these options display GPS speed. Depending on the “Metric” button on this page, the speed is displayed in either MPH or K/H.

GPS Course Gauge/Numeric GPS Course – these options display the course of the vehicle, in degrees True North.

GPS Distance to Operator – this option displays the distance from the operator to the GPS Expander. The value is reset to zero when the GPS Expander/recorder are powered on.

After a recording is made with the expander, assuming GPS data is being logged, it will be displayed after data download. Note that if the recorder is connected to your PC via USB, Live Mode will allow you to see the GPS parameters live. Just hit the “Live Mode!” button.

Graphing of GPS data, including 3D graphing with user loaded images, will be available soon with the application, as a free download from our website.

Setting up the GPS Expander with the Seagull Dashboard

If you wish to display GPS data on your Seagull Dashboard, choose “Tools, Edit Seagull Display” in the app, and select the GPS parameters you wish to display.

After selecting the parameters, the Dashboard LCD pages will show the GPS information you selected, as well as any other parameters selected. Note that the UTC, Lat/Lon and status parameters take up an entire LCD page each.

The GPS parameters can be selected via the Dashboard up/down buttons, as is the case with other Dashboard parameters.

If you connect your Dashboard to your laptop for real-time laptop display, the items selected in the section above will be displayed live.

Using the GPS Expander

Now that you have the GPS Expander installed and configured, it’s time to use it! To use it, simply move the GPS Expander into an open area (some enclosed areas will work also), power on your vehicle, and after 1-2 minutes, the GPS expander will obtain a fix and begin recording and/or displaying information on the Seagull Dashboard.

The sensitivity of the GPS Expander increases once it has a fix. So, it may be possible to get a fix outside, then move the Expander inside and continue with a valid fix.

Note that the next time you power off and on your vehicle, the GPS Expander should obtain a fix in about 10 seconds, assuming it hasn’t been relocated since power down.

Once a valid fix is received, the GPS data for that fix will be displayed on the Dashboard until the next fix comes in (normally once per second). If the Dashboard does not receive a new fix within a few seconds, it will mark the Lat and Lon fields with an “*” beside the values to indicate a “stale” fix.

If you are using the Dashboard, and have selected the GPS Status page to display, the Dashboard will display one of the following messages on the GPS Status page when it is selected:

“No GPS Detected” – this message indicates that the system has not detected a GPS expander. Check connection if this error message occurs.

“Acquiring Fix” – this message indicates that the GPS Expander is connected and detected, but has not yet gotten a fix.

“Fix Acquired” – this message indicates that the GPS Expander has acquired a valid fix within the last few seconds.

Locating a Lost Plane with the GPS Expander

The combination of the Seagull Dashboard and GPS Expander makes it easy to find lost planes. First, make sure you have selected Lat/Lon for display on the Dashboard.

The Dashboard always remembers the last valid fix received from the GPS Expander, even when no signal is being received from the plane. To display the last valid fix, press the “Display Max” button on the Dashboard, and scroll to the Lat/Lon page. This will show the last valid fix received from your plane. To go to that location, use any handheld GPS unit (or another Seagull) to go to that location.

Troubleshooting

Below is a list of problems that may be encountered, and steps to remedy them. If your particular issue is not addressed by the below, see the Support page on <http://eagletreesystems.com> or email support@eagletreesystems.com. Include a full description of your problem, your machine configuration, brands/models of equipment, and Recorder firmware version if possible (from “Tools, Firmware Control” in the app) and any other relevant details.

Problem: The GPS Module does not appear to be getting a signal. When I download data or look at the data on the Seagull, the data consist of zeros.

Solution: Make sure you have the Expander connected correctly to the recorder.

Solution: If you are trying to record GPS data, make sure you have selected logging of GPS data as described in the setup section above.

Solution: If you are using the Seagull system, and are not getting “No Signal” messages, see the Seagull manual. If you are getting a signal, but no GPS data, try the above steps.

Solution: Make sure that the Seagull Expander has a reasonably unobstructed view of the sky.

Problem: The Dashboard displays “No GPS Detected” on the GPS Status LCD Page.

Solution: Make sure you have the GPS Expander connected correctly to the recorder, and make sure that no wires are cut.

Solution: Power down the system, wait 15 seconds, and reapply power.

Problem: The Dashboard displays “Acquiring Fix” on the Lat/Lon LCD Page for more than two minutes.

Solution: Make sure that the Seagull Expander has a reasonably unobstructed view of the sky.

Solution: Make sure you have gotten a valid fix before the vehicle starts moving. Moving slows down the acquisition process considerably.

GPS Expander Specifications (subject to change)

Satellites: 16

Current Consumption: approx 33mA

Cold Start Time (average): 46s

Warm Start Time (average): 34s

Hot Start Time (average): 10s

Position Accuracy (average): 3.1m

Maximum horizontal speed: 515 m/s

Maximum vertical speed: 15 m/s

Maximum altitude: 18 Km

Dimensions: 35mm x 32mm x 10mm

Weight: 18g

Limited Warranty

Eagle Tree Systems, LLC, warrants the GPS Expander to be free from defects in materials and workmanship for a period of one (1) year from the date of original purchase. This warranty is nontransferable. If your unit requires warranty service during this period, we will replace or repair it at our option. Shipping cost to us is your responsibility.

To obtain warranty service, contact us by phone, fax or email to request an RMA number. No returns will be accepted without this number.

This limited warranty does not cover:

- The Software included with the System. See the Software license agreement for more information on Software restrictions.
- Problems that result from:
 - External causes such as accident, abuse, misuse, or problems with electrical power
 - Servicing not authorized by us
 - Usage that is not in accordance with product instructions
 - Failure to follow the product instructions

THIS WARRANTY GIVES YOU SPECIFIC LEGAL RIGHTS, AND YOU MAY ALSO HAVE OTHER RIGHTS WHICH VARY FROM STATE TO STATE (OR JURISDICTION TO JURISDICTION). OUR RESPONSIBILITY FOR MALFUNCTIONS AND DEFECTS IN HARDWARE IS LIMITED TO REPAIR AND REPLACEMENT AS SET FORTH IN THIS WARRANTY STATEMENT. ALL EXPRESS AND IMPLIED WARRANTIES FOR THE PRODUCT, INCLUDING, BUT NOT LIMITED TO, ANY IMPLIED WARRANTIES AND CONDITIONS OF

Copyright © 2003 Eagle Tree Systems, LLC
<http://www.eagletreesystems.com>

MERCHANTABILITY AND FITNESS FOR A PARTICULAR PURPOSE, ARE LIMITED IN TIME TO THE TERM OF THE LIMITED WARRANTY PERIOD AS DESCRIBED ABOVE. NO WARRANTIES, WHETHER EXPRESS OR IMPLIED, WILL APPLY AFTER THE LIMITED WARRANTY PERIOD HAS EXPIRED. SOME STATES DO NOT ALLOW LIMITATIONS ON HOW LONG AN IMPLIED WARRANTY LASTS, SO THIS LIMITATION MAY NOT APPLY TO YOU.

WE DO NOT ACCEPT LIABILITY BEYOND THE REMEDIES PROVIDED FOR IN THIS LIMITED WARRANTY OR FOR CONSEQUENTIAL OR INCIDENTAL DAMAGES, INCLUDING, WITHOUT LIMITATION, ANY LIABILITY FOR THIRD-PARTY CLAIMS AGAINST YOU FOR DAMAGES, FOR PRODUCTS NOT BEING AVAILABLE FOR USE, OR FOR LOST DATA OR LOST SOFTWARE. OUR LIABILITY WILL BE NO MORE THAN THE AMOUNT YOU PAID FOR THE PRODUCT THAT IS THE SUBJECT OF A CLAIM. THIS IS THE MAXIMUM AMOUNT FOR WHICH WE ARE RESPONSIBLE.

SOME STATES DO NOT ALLOW THE EXCLUSION OR LIMITATION OF INCIDENTAL OR CONSEQUENTIAL DAMAGES, SO THE ABOVE LIMITATION OR EXCLUSION MAY NOT APPLY TO YOU.

Free Manuals Download Website

<http://myh66.com>

<http://usermanuals.us>

<http://www.somanuals.com>

<http://www.4manuals.cc>

<http://www.manual-lib.com>

<http://www.404manual.com>

<http://www.luxmanual.com>

<http://aubethermostatmanual.com>

Golf course search by state

<http://golfingnear.com>

Email search by domain

<http://emailbydomain.com>

Auto manuals search

<http://auto.somanuals.com>

TV manuals search

<http://tv.somanuals.com>