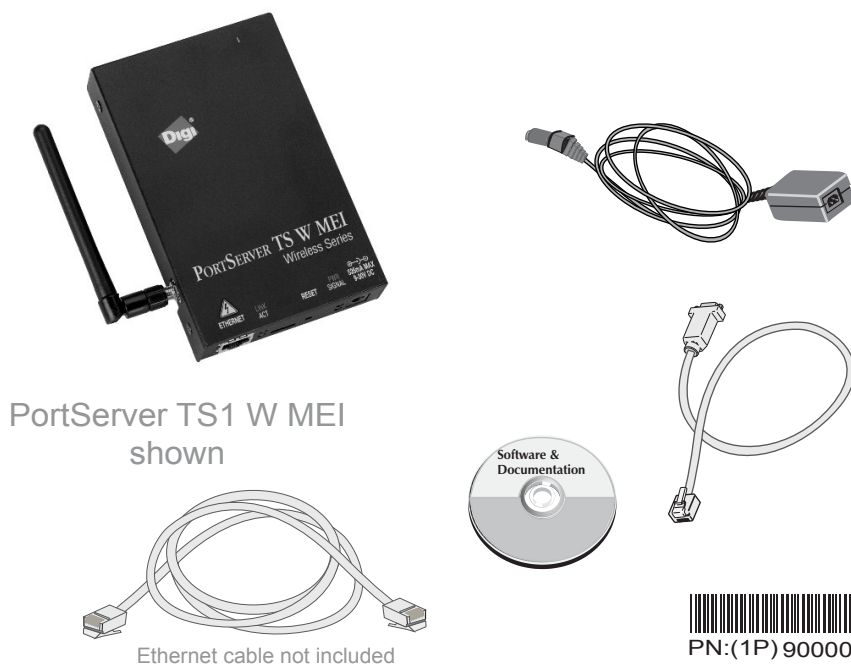


# Quick Start Guide

## PortServer® TS W MEI Wireless Series



PortServer TS1 W MEI shown

Ethernet cable not included

PN:(1P)9000689 A

### INSTALL

**1** Set serial DIP switch according to your serial device requirements. Pinouts available on back of quick start.

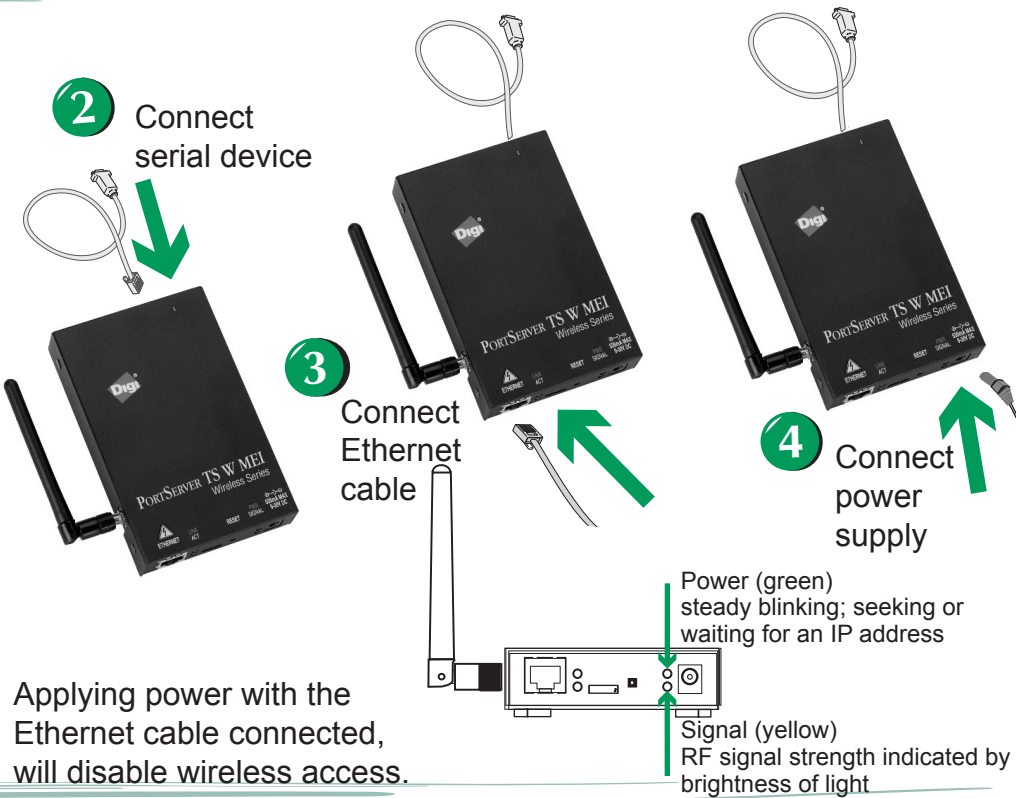
Switch Settings	EIA-232	EIA-422/485 Full-Duplex	EIA-485 Half-Duplex
Up/On			
Down/Off			

\*If switch 4 is up, termination resistor is connected. If switch 4 is down, termination resistor is not connected.

**2** Connect serial device

**3** Connect Ethernet cable

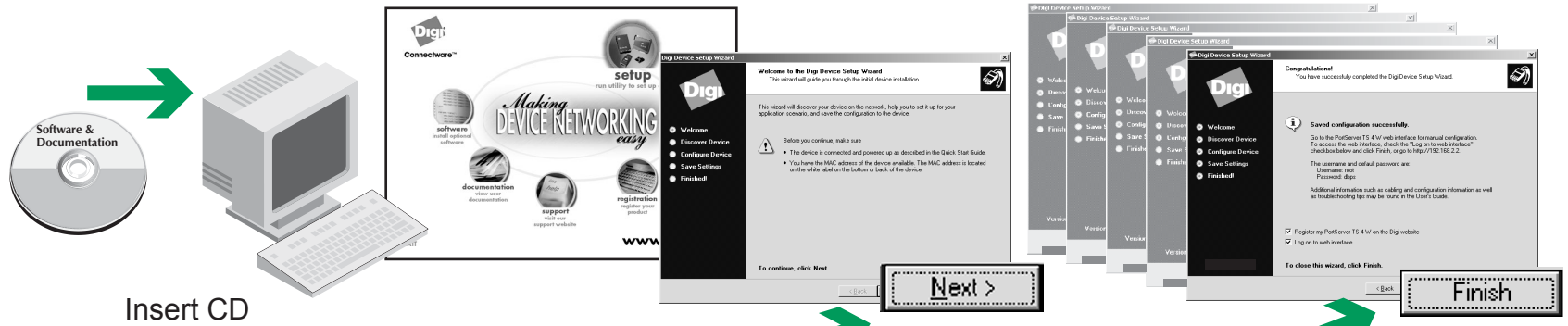
**4** Connect power supply



Applying power with the Ethernet cable connected, will disable wireless access.

Power (green) steady blinking; seeking or waiting for an IP address  
Signal (yellow) RF signal strength indicated by brightness of light

### RUN WIZARD



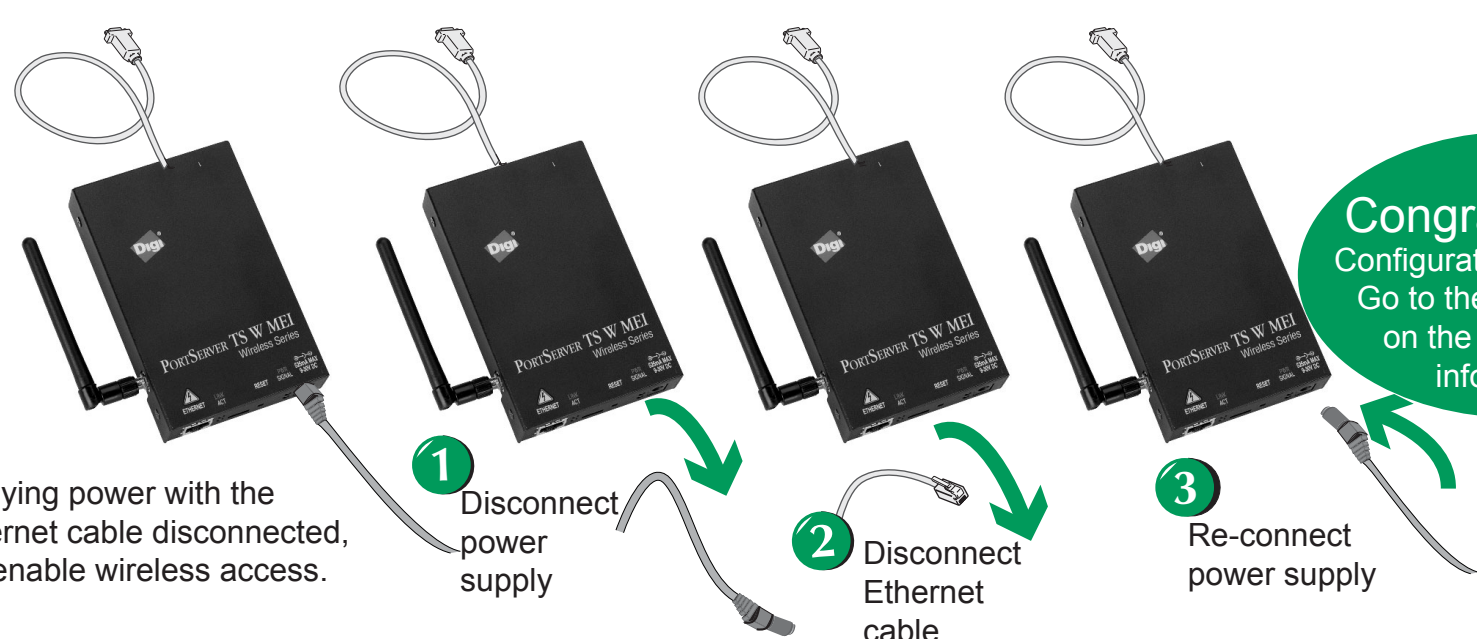
Insert CD

Follow wizard

If you have a UNIX system and it does not use an auto-mounter, you will need to manually mount the CD. See the back of this guide for UNIX specific instructions.

Be sure to check Digi Support for the latest firmware updates at: <http://support.digi.com>

### REBOOT



Applying power with the Ethernet cable disconnected, will enable wireless access.

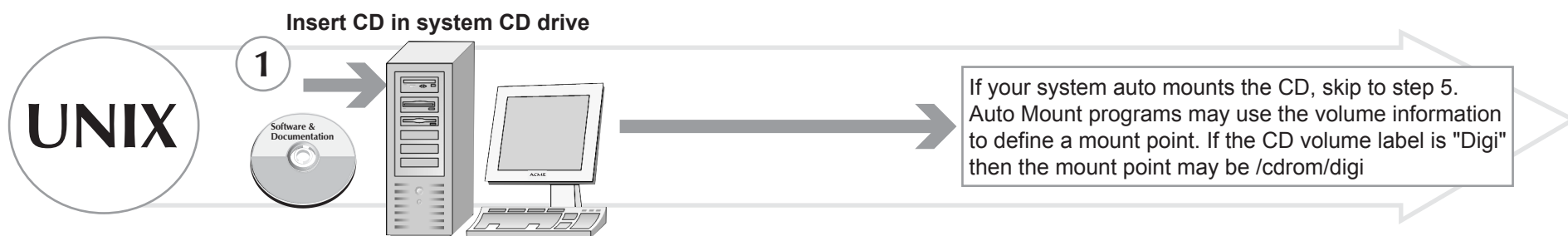
**1** Disconnect power supply

**2** Disconnect Ethernet cable

**3** Re-connect power supply

**Congratulations!** Configuration is complete. Go to the User's Guide on the CD for more information.

# Accessing the CD from a UNIX System



2

## Determine your CD device

Common names for CD-ROM devices:

NAME	EXAMPLE
/dev/cdrom	/dev/cdrom
/dev/cdrom/cdromn	/dev/cdrom/cdrom1
/dev/cdn	/dev/cd0
/dev/dsk/cktmdn	/dev/clt2d0

To list descriptions of devices:

AIX: `lscfg`  
 HPUX: - Make sure you have administrator privileges and your PATH includes /usr/sbin  
`ioscan -funC disk`  
 Solaris: Most Solaris systems use an auto-mounter.  
 See the man page on vold: `man vold`

3

## Identify the mount-directory.

Some common pre-existing mount points:  
 /mnt/cdrom /cdrom

Or create your own:

`mkdir /mnt/mycdrom`

HPUX - Check to see if pfs is running

`ps -ef | grep pfs`

If not, start the daemons:

`pfs_mountd&; pfsd&`

4

## Mount the CD by entering one of the commands from the following table:

Operating System	Command
AIX	<code>mount -r -v cdrfs device mount-directory</code>
*HPUX	do not use mount, it will not operate correctly <code>pfs_mount device mount-directory</code> See man pages for <code>pfs</code> and <code>pfs_mount</code> for more information.
Linux	<code>mount device mount-directory</code>
SCO UnixWare	<code>mount -r -F cdrfs device mount-directory</code>
SCO OpenServer	<code>mount -r -f ISO9660 device mount-directory</code>
Solaris (Intel & SPARC)	<code>mount -F hsfs device mount-directory</code> Most systems use an auto-mounter. See the man page on vold: <code>man vold</code>

*device* is the path to the device file assigned to the cdrom drive, *mount-directory* is the directory where the Digi CD is mounted

\*HPUX When finished, leave the CD directory and `pfs_umount`  
`cd`  
`pfs_umount mount-directory`  
 (If you inadvertently use `umount` instead of `pfs_umount`, kill the `pfs` daemons to remove the CD-ROM.)

5

Navigate to mounted CD directory, enter: `./setup`

If you see DISPLAY permission errors when running the CD, you may want to verify your DISPLAY variable is set.

To set the DISPLAY variable:

`DISPLAY=localhost:0.0; export DISPLAY`

AND/OR

`xhost +localhost`

## Pinouts

RJ-45 Pin	EIA-232	EIA-422/485 Full-Duplex	EIA-485 Half-Duplex
1	RI	TXD-	TXD-
2	DSR	RxD-	RxD-
3	RTS	RTS+	n/a
4	GND	GND	GND
5	TxD	TxD+	TxD+
6	RxD	RxD+	RxD+
7	SG	SG	SG
8	CTS	CTS+	n/a
9	DTR	RTS-	n/a
10	DCD	CTS-	n/a

## Need help with cabling?

## Digi TS EIA-232 Cable Adapter Reference

Cabling your serial devices to a Digi Product is now simpler than ever with a Digi Cable Adapter. While many custom cabling solutions can leave you with a cable that is either too long or too short for your application, the Digi Cable Adapters are used with commercially available CAT 5 cable of any length. Simply plug standard CAT 5 cable into your Digi Product, connect a Cable Adapter to the other end and plug the adapter into your device. Whether you need a crossover or straight-through connection, or require a DB-9 or DB-25 connector, there is a Digi Cable Adapter solution. For additional cabling information, see the Cabling guide under Documentation on your CD. If you prefer to order cables, see our website at <http://support.digi.com> and select Cabling.

Part number	Adapter	Application
76000697	Digi TS DB-9F Console Adapter (4-pack)	Bay Accelar, Nortel and other DB-9 DTE devices
76000698	Digi TS DB-25M Console Adapter (4-pack)	Sun Sparc, Sun Ultra, terminals, printers and other DTE devices with DB-25 Female ports
76000699	Digi TS DB-25F Console Adapter (4-pack)	Cisco, IBM and other DTE devices with DB-25 Male ports
76000700	Digi TS DB-25M Modem Adapter (4-pack)	Modems and other DCE devices with DB-25 Female Ports
76000701	Digi TS DB-9M Modem Adapter (4-pack)	Modems and other DCE devices with DB-9 Female Ports
76000692	Digi TS DB-25M Printer Adapter (4-pack)	For use with Printers. This adapter differs from a Console Adapter in that it utilizes the DTR signal (instead of RTS) for hardware flow control
76000631	Digi TS to Sun Netra / Cisco Cable (single pack)	For use with Cisco and Sun RJ-45 Console ports. Also available in 8-pack and 16-pack quantities.
63000042-01	RJ-45 to RJ-45 Straight Through Ethernet Cable	Can be used as a networking cable or combined with one of the adapters as a serial cable.

All RJ-45 cables and connectors are 8-pin. When using these adapters with modems or other applications that require DCD on pin 1, you must turn on `altpin`. If `altpin` is turned off, the hardware signal on pin 1 becomes DSR instead of DCD. This alternative can be used if DCD is not required, and DSR is needed instead. Configure the `altpin` through the web interface or the command line. See the User's Guide, MEI chapter or the set flow command in the Command Reference on the Digi CD for more information on `altpin`.

## Free Manuals Download Website

<http://myh66.com>

<http://usermanuals.us>

<http://www.somanuals.com>

<http://www.4manuals.cc>

<http://www.manual-lib.com>

<http://www.404manual.com>

<http://www.luxmanual.com>

<http://aubethermostatmanual.com>

Golf course search by state

<http://golfingnear.com>

Email search by domain

<http://emailbydomain.com>

Auto manuals search

<http://auto.somanuals.com>

TV manuals search

<http://tv.somanuals.com>