

*If you have questions or comments, contact us.
Pour toute question ou tout commentaire, nous contacter.
Si tiene dudas o comentarios, contáctenos.*

1-800-4-DEWALT • www.dewalt.com

**INSTRUCTION MANUAL
GUIDE D'UTILISATION
MANUAL DE INSTRUCCIONES**

**INSTRUCTIVO DE OPERACIÓN, CENTROS DE SERVICIO Y PÓLIZA
DE GARANTÍA. ADVERTENCIA: LÉASE ESTE INSTRUCTIVO ANTES
DE USAR EL PRODUCTO.**

DEWALT®

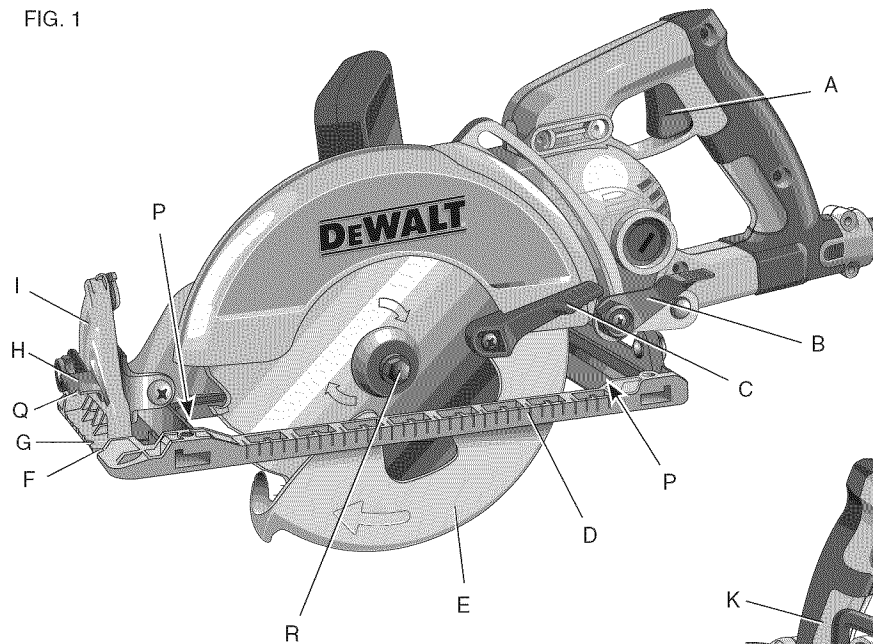
DWS535, DWS535T

Heavy-Duty 7-1/4" (184 mm) Worm Drive Circular Saw

Scie Circulaire industrielle à Vis Sans Fin, 184 mm (7-1/4 po)

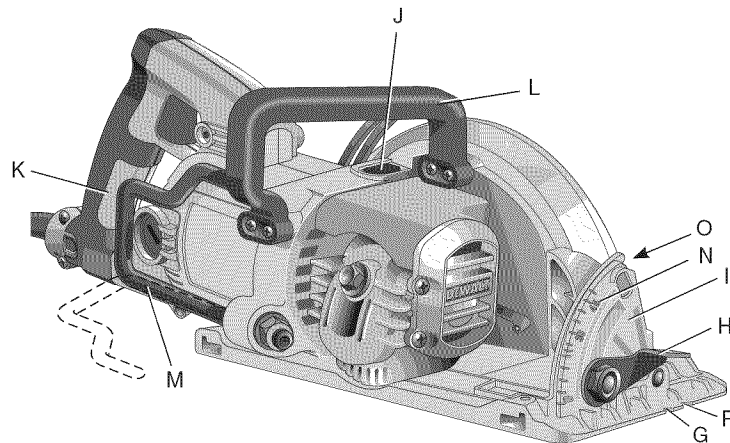
Sierra circular de 184 mm (7-1/4 pulg.) con impulsor sinfín para trabajo pesado

FIG. 1



DWS535, DWS535T 7-1/4" (184 mm) Worm Drive Saw

- | | |
|---------------------------------------|-------------------------|
| A. Trigger switch | J. Spindle lock button |
| B. Depth adjustment locking lever | K. Main handle |
| C. Lower blade guard retracting lever | L. Auxiliary handle |
| D. Foot plate | M. Saw hook |
| E. Lower blade guard | N. Coarse adjustment |
| F. 0° Kerf indicator | O. Fine adjustment |
| G. 45° Kerf indicator | P. Kerf indicators |
| H. Bevel adjustment lever | Q. Knock out notch |
| I. Angle quadrant | R. Blade clamping screw |



Definitions: Safety Guidelines

The definitions below describe the level of severity for each signal word. Please read the manual and pay attention to these symbols.

▲DANGER: Indicates an imminently hazardous situation which, if not avoided, **will** result in **death or serious injury**.

▲WARNING: Indicates a potentially hazardous situation which, if not avoided, **could** result in **death or serious injury**.

▲CAUTION: Indicates a potentially hazardous situation which, if not avoided, **may** result in **minor or moderate injury**.

NOTICE: indicates a practice **not related to personal injury** which, if not avoided, **may** result in **property damage**.

IF YOU HAVE ANY QUESTIONS OR COMMENTS ABOUT THIS OR ANY DEWALT TOOL, CALL US TOLL FREE AT: **1-800-4-DEWALT (1-800-433-9258)**.



WARNING: To reduce the risk of injury, read the instruction manual.

General Power Tool Safety Warnings



WARNING! Read all safety warnings and all instructions. Failure to follow the warnings and instructions may result in electric shock, fire and/or serious injury.

SAVE ALL WARNINGS AND INSTRUCTIONS FOR FUTURE REFERENCE

The term "power tool" in the warnings refers to your mains-operated (corded) power tool or battery-operated (cordless) power tool.

1) WORK AREA SAFETY

- a) **Keep work area clean and well lit.** Cluttered or dark areas invite accidents.
- b) **Do not operate power tools in explosive atmospheres, such as in the presence of flammable liquids, gases or dust.** Power tools create sparks which may ignite the dust or fumes.
- c) **Keep children and bystanders away while operating a power tool.** Distractions can cause you to lose control.

2) ELECTRICAL SAFETY

- a) **Power tool plugs must match the outlet. Never modify the plug in any way. Do not use any adapter plugs with earthed (grounded) power tools.** Unmodified plugs and matching outlets will reduce risk of electric shock.
- b) **Avoid body contact with earthed or grounded surfaces such as pipes, radiators, ranges and refrigerators.** There is an increased risk of electric shock if your body is earthed or grounded.
- c) **Do not expose power tools to rain or wet conditions.** Water entering a power tool will increase the risk of electric shock.
- d) **Do not abuse the cord. Never use the cord for carrying, pulling or unplugging the power tool. Keep cord away from heat, oil, sharp edges or moving parts.** Damaged or entangled cords increase the risk of electric shock.

- e) *When operating a power tool outdoors, use an extension cord suitable for outdoor use. Use of a cord suitable for outdoor use reduces the risk of electric shock.*
- f) *If operating a power tool in a damp location is unavoidable, use a ground fault circuit interrupter (GFCI) protected supply. Use of a GFCI reduces the risk of electric shock.*

3) PERSONAL SAFETY

- a) *Stay alert, watch what you are doing and use common sense when operating a power tool. Do not use a power tool while you are tired or under the influence of drugs, alcohol or medication. A moment of inattention while operating power tools may result in serious personal injury.*
- b) *Use personal protective equipment. Always wear eye protection. Protective equipment such as dust mask, non-skid safety shoes, hard hat, or hearing protection used for appropriate conditions will reduce personal injuries.*
- c) *Prevent unintentional starting. Ensure the switch is in the off position before connecting to power source and/or battery pack, picking up or carrying the tool. Carrying power tools with your finger on the switch or energising power tools that have the switch on invites accidents.*
- d) *Remove any adjusting key or wrench before turning the power tool on. A wrench or a key left attached to a rotating part of the power tool may result in personal injury.*
- e) *Do not overreach. Keep proper footing and balance at all times. This enables better control of the power tool in unexpected situations.*
- f) *Dress properly. Do not wear loose clothing or jewellery. Keep your hair, clothing and gloves away from moving parts. Loose clothes, jewellery or long hair can be caught in moving parts.*

- g) *If devices are provided for the connection of dust extraction and collection facilities, ensure these are connected and properly used. Use of dust collection can reduce dust-related hazards.*
- ### 4) POWER TOOL USE AND CARE
- a) *Do not force the power tool. Use the correct power tool for your application. The correct power tool will do the job better and safer at the rate for which it was designed.*
 - b) *Do not use the power tool if the switch does not turn it on and off. Any power tool that cannot be controlled with the switch is dangerous and must be repaired.*
 - c) *Disconnect the plug from the power source and/or the battery pack from the power tool before making any adjustments, changing accessories, or storing power tools. Such preventive safety measures reduce the risk of starting the power tool accidentally.*
 - d) *Store idle power tools out of the reach of children and do not allow persons unfamiliar with the power tool or these instructions to operate the power tool. Power tools are dangerous in the hands of untrained users.*
 - e) *Maintain power tools. Check for misalignment or binding of moving parts, breakage of parts and any other condition that may affect the power tool's operation. If damaged, have the power tool repaired before use. Many accidents are caused by poorly maintained power tools.*
 - f) *Keep cutting tools sharp and clean. Properly maintained cutting tools with sharp cutting edges are less likely to bind and are easier to control.*
 - g) *Use the power tool, accessories and tool bits, etc. in accordance with these instructions, taking into account the working conditions and the work to be performed. Use of the power tool for operations different from those intended could result in a hazardous situation.*

5) SERVICE

- a) *Have your power tool serviced by a qualified repair person using only identical replacement parts. This will ensure that the safety of the power tool is maintained.*

Safety Instructions for All Saws

▲ DANGER:

- a) **Keep hands away from cutting area and the blade. Keep your second hand on auxiliary handle or motor housing.** If both hands are holding the saw, they cannot be cut by the blade.
- b) **Do not reach underneath the workpiece.** The guard cannot protect you from the blade below the workpiece.
- c) **Adjust the cutting depth to the thickness of the workpiece.** Less than a full tooth of the blade teeth should be visible below the workpiece.
- d) **Never hold piece being cut in your hands or across your leg. Secure the workpiece to a stable platform.** It is important to support the work properly to minimize body exposure, blade binding, or loss of control.
- e) **Hold power tool by insulated gripping surfaces when performing an operation where the cutting tool may contact hidden wiring or its own cord.** Contact with a "live" wire will also make exposed metal parts of the power tool "live" and shock the operator.
- f) **When ripping always use a rip fence or straight edge guide.** This improves the accuracy of cut and reduces the chance of blade binding.
- g) **Always use blades with correct size and shape (diamond versus round) of arbour holes.** Blades that do not match the mounting hardware of the saw will run eccentrically, causing loss of control.

- h) **Never use damaged or incorrect blade washers or bolt.** The blade washers and bolt were specially designed for your saw, for optimum performance and safety of operation.

CAUSES AND OPERATOR PREVENTION OF KICKBACK:

- Kickback is a sudden reaction to a pinched, bound or misaligned saw blade, causing an uncontrolled saw to lift up and out of the workpiece toward the operator.
- When the blade is pinched or bound tightly by the kerf closing down, the blade stalls and the motor reaction drives the unit rapidly back toward the operator.
- If the blade becomes twisted or misaligned in the cut, the teeth at the back edge of the blade can dig into the top surface of the wood causing the blade to climb out of the kerf and jump back toward the operator.

Kickback is the result of saw misuse and/or incorrect operating procedures or conditions and can be avoided by taking proper precautions as given below:

- a) **Maintain a firm grip with both hands on the saw and position your arms to resist kickback forces. Position your body to either side of the blade, but not in line with the blade.** Kickback could cause the saw to jump backwards, but kickback forces can be controlled by the operator, if proper precautions are taken.
- b) **When blade is binding, or when interrupting a cut for any reason, release the trigger and hold the saw motionless in the material until the blade comes to a complete stop. Never attempt to remove the saw from the work or pull the saw backward while the blade is in motion or kickback may occur.** Investigate and take corrective actions to eliminate the cause of blade binding.
- c) **When restarting a saw in the workpiece, centre the saw blade in the kerf and check that saw teeth are not engaged**

- into the material. If saw blade is binding, it may walk up or kickback from the workpiece as the saw is restarted.*
- d) **Support large panels to minimize the risk of blade pinching and kickback.** Large panels tend to sag under their own weight. Supports must be placed under the panel on both sides, near the line of cut and near the edge of the panel.
 - e) **Do not use dull or damaged blades.** Unsharpened or improperly set blades produce narrow kerf causing excessive friction, blade binding and kickback.
 - f) **Blade depth and bevel adjusting locking levers must be tight and secure before making cut.** If blade adjustment shifts while cutting, it may cause binding and kickback.
 - g) **Use extra caution when making a “plunge cuts” into existing walls or other blind areas.** The protruding blade may cut objects that can cause kickback.

LOWER GUARD SAFETY INSTRUCTIONS

- a) **Check lower guard for proper closing before each use. Do not operate the saw if lower guard does not move freely and close instantly. Never clamp or tie the lower guard into the open position.** If saw is accidentally dropped, lower guard may be bent. Raise the lower guard with the retracting handle and make sure it moves freely and does not touch the blade or any other part, in all angles and depths of cut.
- b) **Check the operation of the lower guard spring. If the guard and the spring are not operating properly, they must be serviced before use.** Lower guard may operate sluggishly due to damaged parts, gummy deposits, or a build-up of debris.
- c) **Lower guard should be retracted manually only for special cuts such as “plunge cuts” and “compound cuts.”** Raise lower guard by retracting handle and as

soon as blade enters the material, the lower guard must be released. For all other sawing, the lower guard should operate automatically.

- d) **Always observe that the lower guard is covering the blade before placing saw down on bench or floor.** An unprotected, coasting blade will cause the saw to walk backwards, cutting whatever is in its path. Be aware of the time it takes for the blade to stop after switch is released.

Additional Safety Instructions

- **Use clamps or another practical way to secure and support the workpiece to a stable platform.** Holding the work by hand or against your body leaves it unstable and may lead to loss of control.
- **Keep your body positioned to either side of the blade, but not in line with the saw blade.** KICKBACK could cause the saw to jump backwards (see Causes and Operator Prevention of Kickback and KICKBACK).
- **Avoid cutting nails. Inspect for and remove all nails from lumber before cutting.**
- **Always make sure nothing interferes with the movement of the lower blade guard.**
- **Accessories must be rated for at least the speed recommended on the tool warning label.** Wheels and other accessories running over rated speed can fly apart and cause injury. Accessory ratings must always be above tool speed as shown on tool nameplate.
- **Always make sure the saw is clean before using.**
- **Stop using this saw and have it properly serviced if any unusual noise or abnormal operation occurs.**

- Always be sure all components are mounted properly and securely before using tool.
- Always handle the saw blade with care when mounting or removing it or when removing the diamond knockout.
- Always wait until the motor has reached full speed before starting a cut.
- Always keep handles dry, clean and free of oil and grease. Hold the tool firmly with both hands when in use.
- Always be alert at all times, especially during repetitive, monotonous operations. Always be sure of position of your hands relative to the blade.
- Stay clear of end pieces that may fall after cutting off. They may be hot, sharp and/or heavy. Serious personal injury may result.
- Replace or repair damaged cords. Make sure your extension cord is in good condition. Use only 3-wire extension cords that have 3-prong grounding-type plugs and 3-pole receptacles that accept the tool's plug.
- **An extension cord must have adequate wire size (AWG or American Wire Gauge) for safety.** The smaller the gauge number of the wire, the greater the capacity of the cable, that is 16 gauge has more capacity than 18 gauge. An undersized cord will cause a drop in line voltage resulting in loss of power and overheating. When using more than one extension to make up the total length, be sure each individual extension contains at least the minimum wire size. The following table shows the correct size to use depending on cord length and nameplate ampere rating. If in doubt, use the next heavier gauge. The smaller the gauge number, the heavier the cord.

Minimum Gauge for Cord Sets						
Ampere Rating		Volts	Total Length of Cord in Feet (meters)			
		120V	25 (7.6)	50 (15.2)	100 (30.5)	150 (45.7)
		240V	50 (15.2)	100 (30.5)	200 (61.0)	300 (91.4)
More Than	Not More Than	AWG				
0	6		18	16	16	14
6	10		18	16	14	12
10	12		16	16	14	12
12	16		14	12	Not Recommended	

⚠ CAUTION: Blades coast after turn off. Serious personal injury may result.

⚠ WARNING: ALWAYS wear proper personal hearing protection that conforms to ANSI S12.6 (S3.19) during use. Under some conditions and duration of use, noise from this product may contribute to hearing loss.

⚠ WARNING: ALWAYS use eye protection. All users and bystanders must wear eye protection that conforms to ANSI Z87.1.

⚠ WARNING: ALWAYS USE SAFETY GLASSES. Everyday eyeglasses are NOT safety glasses. Also use face or dust mask if cutting operation is dusty. ALWAYS wear certified safety equipment:

- ANSI Z87.1 eye protection (CAN/CSA Z94.3).
- ANSI S12.6 (S3.19) hearing protection.
- NIOSH/OSHA respiratory protection.

⚠ WARNING: Some dust created by power sanding, sawing, grinding, drilling, and other construction activities contains chemicals known in the state of California to cause cancer, birth defects or other reproductive harm. Some examples of these chemicals are:

- lead from lead-based paints,

- crystalline silica from bricks and cement and other masonry products, and
- arsenic and chromium from chemically-treated lumber (CCA).

Your risk from these exposures varies, depending on how often you do this type of work. To reduce your exposure to these chemicals: work in a well ventilated area, and work with approved safety equipment, such as those dust masks that are specially designed to filter out microscopic particles.

- **Avoid prolonged contact with dust from power sanding, sawing, grinding, drilling, and other construction activities. Wear protective clothing and wash exposed areas with soap and water.** Allowing dust to get into your mouth, eyes, or lay on the skin may promote absorption of harmful chemicals.

▲WARNING: Use of this tool can generate and/or disburse dust, which may cause serious and permanent respiratory or other injury. Always use NIOSH/OSHA approved respiratory protection appropriate for the dust exposure. Direct particles away from face and body. Always operate tool in well-ventilated area and provide for proper dust removal. Use dust collection system wherever possible.

- The label on your tool may include the following symbols. The symbols and their definitions are as follows:

V..... volts	A..... amperes
Hz..... hertz	W..... watts
min..... minutes	~ alternating current
=== direct current	~ alternating or direct current
Ⓛ Class I Construction (grounded)	n _o no load speed
Ⓜ Class II Construction (double insulated)	Ⓛ earthing terminal
	▲ safety alert symbol

BPM.....beats per minute .../min.... per minute
RPM.....revolutions per minute IPM..... impacts per minute

SAVE THESE INSTRUCTIONS FOR FUTURE USE

COMPONENTS (Fig. 1)

▲ WARNING: Never modify the power tool or any part of it. Damage or personal injury could result.

Refer to Figure 1 for saw components.

INTENDED USE

These heavy-duty circular saws are designed for professional wood cutting applications. **DO NOT** use water feed attachments with this saw. **DO NOT** use abrasive wheels or blades. **DO NOT** use under wet conditions or in presence of flammable liquids or gases.

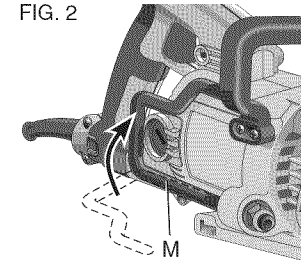
These heavy-duty saws are professional power tools. **DO NOT** let children come into contact with the tool. Supervision is required when inexperienced operators use this tool.

Saw Hook (Fig. 2)

▲ WARNING: To reduce the risk of serious personal injury, Do not use the saw with the saw hook rotated below the foot plate.

▲ WARNING: To reduce the risk of injury from the saw falling on operators or bystanders, make sure the saw is supported securely when using the hook to hang the saw from a rafter, joist or other elevated support.

FIG. 2



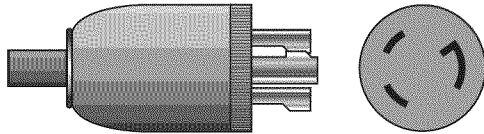
Your saw has a convenient saw hook that allows the saw to hang from a joist, rafter, or other suitable, stable structure. The saw hook folds flat against the tool body when not in use.

To use the saw hook, push down on the hook to rotate it away from the handle until it latches into position.

To return the saw hook to its stored position, pull the hook up until it latches against the tool body.

Twist-lock Connector (DWS535T)

FIG. 3



The DWS535T is equipped with a twist-lock connector as shown in Figure 3. This prevents the cord from unplugging if the cord is inadvertently pulled. Only plug the twist-lock connector into a 3-wire extension cord with a female connector.

Cutting Depth Adjustment (Fig. 1, 4, 5)

1. Hold the saw firmly. Lift the depth adjustment locking lever (B) to move foot plate to obtain the desired depth of cut.
2. Lower the depth adjustment locking lever and tighten securely to lock the depth of cut before operating saw.

The length of cut markings on the side of the foot plate are accurate at full depth of cut only. Setting the saw at the proper cutting depth keeps blade friction to a minimum, removes sawdust from between the blade teeth, results in cooler, faster sawing and reduces the chance of kickback.

FIG. 4

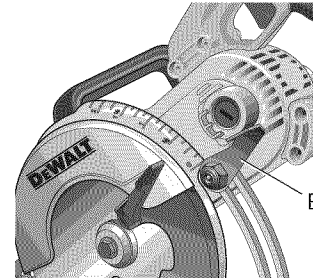
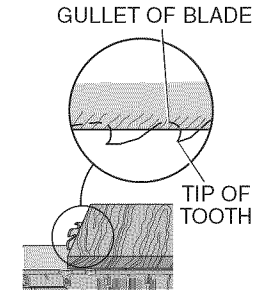


FIG. 5

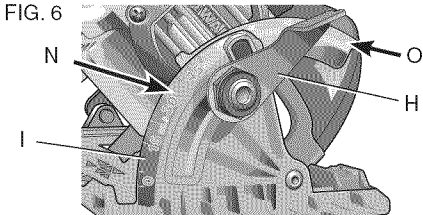


For the most efficient cutting action, set the depth adjustment so that half of a blade tooth will project below the material to be cut. This distance is from the tip of the tooth to the bottom of the gullet in front of it (refer to inset of Figure 5). This keeps blade friction at a minimum, removes sawdust from the cut, results in cooler, faster sawing and reduces the chance of kickback. A method for checking for correct cutting depth is shown in Figure 5. Lay a piece of the material you plan to cut along the side of the blade, as shown, and observe how much tooth projects beyond the material.

Bevel Angle Adjustment (Fig. 1, 6)

The full range of the bevel adjustment is from 0° to 53°. Detents are located at 22.5° and 45°. The angle quadrant is graduated in increments of 1°. On the front of the saw is a bevel angle adjustment mechanism

FIG. 6



which consists of a calibrated angle quadrant (I) and a bevel adjustment lever (H). The angle quadrant allows for coarse adjustment (N) or fine adjustment (O) to achieve better accuracy in cutting.

TO SET THE SAW FOR A BEVEL CUT

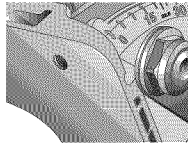
1. Lift the bevel adjustment lever (H) and tilt foot plate to the desired angle by aligning the pointer with the desired angle mark.
2. Push the bevel adjustment lever down and tighten securely to lock the angle.

Foot Plate Adjustment for 90° Cuts

IF ADDITIONAL ADJUSTMENT IS NEEDED

1. Adjust the saw to 0° bevel.
2. Retract blade guard. Place the saw on blade side.
3. Lift bevel adjustment lever. Place a square against the blade and foot plate to adjust the 90° setting.
4. Move the adjustment screw, located on the bottom of the foot plate (Fig. 7), so that the foot plate will stop at the proper angle.
5. Confirm the accuracy of the setting by checking the squareness of an actual cut on a scrap piece of material.

FIG. 7

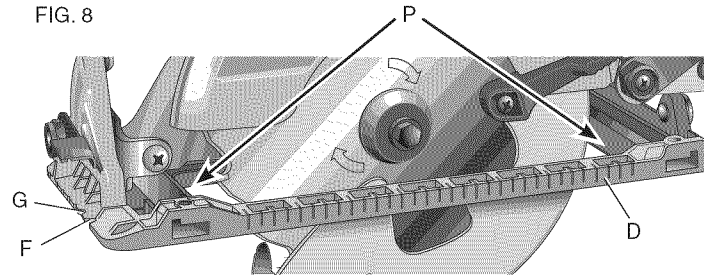


Kerf Indicator (Fig. 8)

The front of the saw foot plate (D) has a 0° kerf indicator (F) and a 45° kerf indicator (G) for vertical and bevel cutting. The kerf indicators enable you to guide the saw along the cutting lines penciled on the workpiece.

The indicator aligns with the left (outer) side of the saw blade. The moving blade making the slot or “kerf” cut falls to the right of the indicator. Position the saw along the penciled cutting line so that the kerf falls into the waste or surplus material. Marking indicators on the front of the foot plate are at 1/2" (13 mm) intervals for additional cutting guides.

FIG. 8



Kerf indicators (P) are also located on the inside of the foot plate to keep the saw square when cutting.

OPERATION

⚠ WARNING: To reduce the risk of serious personal injury, turn tool off and disconnect tool from power source before making any adjustments or removing/installing attachments or accessories.

IMPORTANT: Always make sure the depth adjustment locking lever is in the down position before operating saw.

Trigger Switch (Fig. 1)

⚠ WARNING: To reduce the risk of serious personal injury, hold saw with both hands when starting the saw to avoid kickback.

Press the trigger switch (A) to turn the tool on. Release the trigger switch to turn the tool off.

NOTE: This tool has no provision to lock the trigger in the on position and should never be locked on by any other means.

Changing Blades (Fig. 1, 9–12)

IMPORTANT: Most replacement blades come with a round arbor center opening which must be knocked out so a diamond-shaped

arbor center is exposed. Only blades with a diamond-shaped arbor center can be used on this saw.

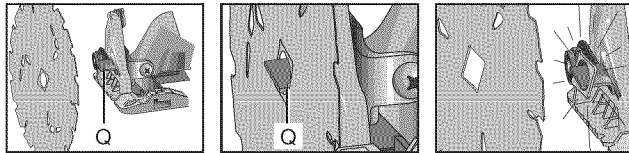
NOTICE: Never install a blade without removing the knockout. Lack of blade engagement will cause the blade to come into contact with other parts of the saw causing tool damage.

TO REMOVE KNOCKOUT

▲ WARNING: ALWAYS use eye protection. All users and bystanders must wear eye protection that conforms to ANSI Z87.1.

▲ WARNING: Make sure that bevel adjusting locking lever is tight and secure after using it to remove knockout. If blade adjustment shifts while cutting it may cause binding and kickback.

FIG. 9



Place the round center hole of the blade into the notch (Q) on the top of the bevel adjustment lever (H). Grasping the saw and blade firmly, pull until the knockout pops out. The diamond-shaped arbor center is now exposed.

TO INSTALL THE BLADE (FIG. 1, 10, 11)

1. Loosen and remove the blade clamping screw (R) with the wrench provided, by turning it clockwise as indicated by the arrow on the outer clamp washer (S).
2. Remove outer clamp washer (S).
3. Using the lower blade guard retracting lever (C), retract the lower blade guard (E).

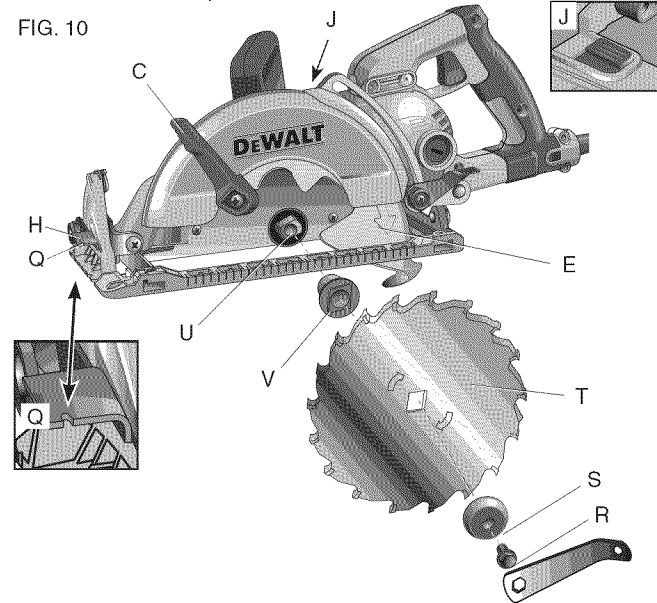
IMPORTANT: When retracting the lower blade guard to install the blade, check the condition and operation of the lower blade guard to assure that it is working properly. Make sure it moves

freely and does not touch the blade, foot plate or any other part, in all angles and depths of cut.

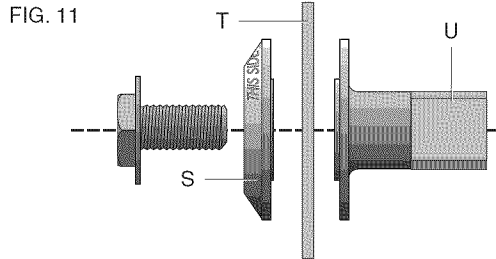
4. Place blade (T) on saw spindle (U) against the inner clamp washer (V), making sure that the blade will rotate in the proper direction (the direction of the rotation arrow on the saw blade and the teeth must point in the same direction as the direction of rotation arrow on the lower blade guard).

IMPORTANT: Always ensure the diamond-shaped arbor center of the blade aligns with the raised diamond-shaped arbor center on the outer clamp washer.

FIG. 10



NOTE: Do not assume that the printing on the saw blade will always be facing you when properly installed.



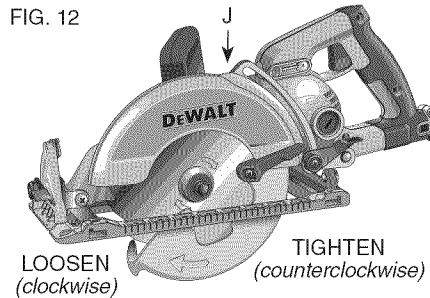
5. Place outer clamp washer (S) on saw spindle (U) with the large flat surface against the blade and the wording on the outer clamp washer facing you as shown in Figure 11.
6. Thread the blade clamping screw (R) into saw spindle by hand (screw has left-hand threads and must be turned counterclockwise to tighten).
7. Slowly release the lower blade guard retracting lever (C).
8. Depress the spindle lock button (J) while turning the saw spindle with the blade wrench provided until the blade lock engages and the blade stops rotating. Using the blade wrench, firmly tighten blade clamping screw.

NOTICE: Never engage the blade lock while saw is running, or engage in an effort to stop the tool. Never turn the saw on while the blade lock is engaged. Serious damage to your saw will result.

TO REPLACE THE BLADE (FIG. 10–12)

1. Depress the spindle lock button (J) while turning the saw spindle with the blade wrench provided until the blade lock engages and the blade stops rotating.

FIG. 12



2. With the blade wrench provided, loosen the blade clamping screw (R) by turning it clockwise as indicated by the arrow on the outer clamp washer (S).
3. Remove the outer clamp washer (S).
4. Using the lower blade guard retracting lever (C), retract the lower blade guard. Remove used blade and properly discard.
5. Install new blade as previously described.
6. Clean any sawdust that may have accumulated in the guard or clamp washer area. Check the condition and operation of the lower blade guard as previously outlined. Do not lubricate this area.
7. Select the proper blade for the application (refer to **Blades**). Always use blades that are the correct size (diameter) with the proper size and shape center hole for mounting on the saw spindle. Always assure that the maximum recommended speed (rpm) on the saw blade meets or exceeds the speed (rpm) of the saw.

LOWER BLADE GUARD

⚠️WARNING: *The lower blade guard is a safety feature which reduces the risk of serious personal injury. Never use the saw if the lower guard is missing, damaged, misassembled or not working properly. Do not rely on the lower blade guard to protect you under all circumstances. Your safety depends on following all warnings and precautions as well as proper operation of the saw. Check lower guard for proper closing before each use as outlined in Safety Instructions for All Saws. If the lower blade guard is missing or not working properly, have the saw serviced before using. To assure product safety and reliability, repair, maintenance and adjustment should be performed by an authorized service center or other qualified service organization, always using identical replacement parts.*

Blades

⚠️WARNING: *To minimize the risk of eye injury, always use eye protection. Carbide is a hard but brittle material. Foreign objects in the work piece such as wire or nails can cause tips to crack or break. Only operate saw when proper saw blade guard is in place. Mount blade securely in proper rotation before using, and always use a clean, sharp blade.*

⚠️CAUTION: *Do not cut ferrous metals (steel), masonry, glass, masonry-type planking, cement board or tile with this saw.*

Do not use abrasive wheels or blades. A dull blade will cause slow, inefficient cutting resulting in overload to the saw motor, excessive splintering and could increase the possibility of kickback. Please refer to the following table to determine the correct size replacement blade for your model saw.

<i>DWS535, DWS535T</i>			
<i>Blade</i>	<i>Diameter</i>	<i>Teeth</i>	<i>Application</i>
DW3592B10	7-1/4"	18	General Purpose
DW3578B10	(184 mm)	24	Wood Cutting
DW3576B10	7-1/4"	36	Plywood Cutting
DW3526	(184 mm)	140	
DW3578B10	7-1/4"	24	Laminated or
	(184 mm)		engineered lumber

If you need assistance regarding blades, please call 1-800-4-DeWALT (1-800-433-9258).

Kickback

Kickback is a sudden reaction to a pinched, bound or misaligned saw blade, causing an uncontrolled saw to lift up and out of the workpiece toward the operator. When the blade is pinched or bound tightly by the kerf closing down, the blade stalls and the motor reaction drives the unit rapidly back toward the operator. If the blade becomes twisted or misaligned in the cut, the teeth at the back edge of the blade can dig into the top surface of the wood causing the blade to climb out of the kerf and jump back toward the operator.

Kickback is more likely to occur when any of the following conditions exist.

1. IMPROPER WORKPIECE SUPPORT

- A. Sagging or improper lifting of the cut off piece can cause pinching of the blade and lead to kickback (Fig. 14).
- B. Cutting through material supported at the outer ends only can cause kickback. As the material weakens it sags, closing down the kerf and pinching the blade.

- C. Cutting off a cantilevered or overhanging piece of material from the bottom up in a vertical direction can cause kickback. The falling cut off piece can pinch the blade.
- D. Cutting off long narrow strips (as in ripping) can cause kickback. The cut off strip can sag or twist closing the kerf and pinching the blade.
- E. Snagging the lower guard on a surface below the material being cut momentarily reduces operator control. The saw can lift partially out of the cut increasing the chance of blade twist.

2. IMPROPER DEPTH OF CUT SETTING ON SAW

To make the most efficient cut, the blade should protrude only far enough to expose half of a tooth as shown in Figure 5. This allows the foot plate to support the blade and minimizes twisting and pinching in the material. See the section titled **Cutting Depth Adjustment**.

3. BLADE TWISTING (MISALIGNMENT IN CUT)

- A. Pushing harder to cut through a knot, a nail, or a hard grain area can cause the blade to twist.
- B. Trying to turn the saw in the cut (trying to get back on the marked line) can cause blade twist
- C. Over-reaching or operating the saw with poor body control (out of balance), can result in twisting the blade.
- D. Changing hand grip or body position while cutting can result in blade twist.
- E. Backing up the saw to clear blade can lead to twist.

4. MATERIALS THAT REQUIRE EXTRA ATTENTION

- A. Wet lumber
- B. Green lumber (material freshly cut or not kiln dried)
- C. Pressure treated lumber (material treated with preservatives or anti-rot chemicals)

5. USE OF DULL OR DIRTY BLADES

Dull blades cause increased loading of the saw. To compensate, an operator will usually push harder which further loads the unit and promotes twisting of the blade in the kerf. Worn blades may also have insufficient body clearance which increases the chance of binding and increased loading.

6. LIFTING THE SAW WHEN MAKING BEVEL CUT

Bevel cuts require special operator attention to proper cutting techniques - especially guidance of the saw. Both blade angle to the foot plate and greater blade surface in the material increase the chance for binding and misalignment (twist) to occur.

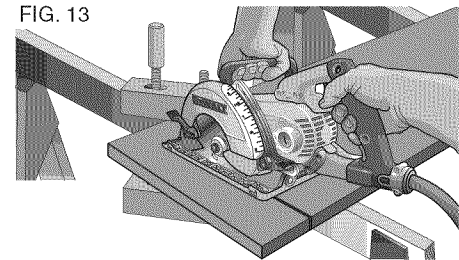
7. RESTARTING A CUT WITH THE BLADE TEETH JAMMED AGAINST THE MATERIAL

The saw should be brought up to full operating speed before starting a cut or restarting a cut after the unit has been stopped with the blade in the kerf. Failure to do so can cause stalling and kickback.

Any other conditions which could result in pinching, binding, twisting, or misalignment of the blade could cause kickback. Refer to the sections on adjustments and operation for procedures and techniques that will minimize the occurrence of kickback.

Workpiece Support (Fig. 13-15)

▲ WARNING: *It is important to support the work properly and to hold the saw firmly to prevent loss of control which could cause personal injury. Figure 13 illustrates proper hand support of the saw. Maintain a*



firm grip with both hands on the saw and position your body and arm to allow you to resist kickback if it occurs.

Figure 13 shows proper sawing position. Note that hands are kept away from cutting area. **To avoid kickback**, DO support board or panel NEAR the cut (Fig. 14). DON'T support board or panel away from the cut (Fig. 15).

FIG. 14

DO support board or panel NEAR the cut.

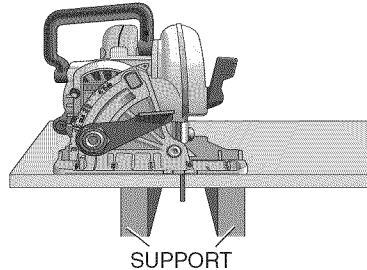
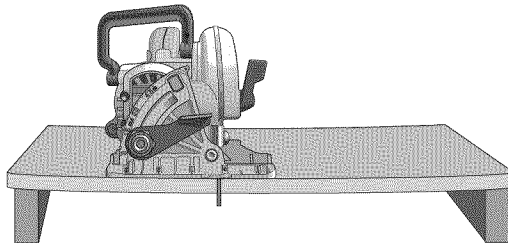


FIG. 15

DON'T support board or panel AWAY from the cut.



Place the work with its “good” side – the one on which appearance is most important – down. The saw cuts upward, so any splintering will be on the work face that is up when you cut it.

Cutting

▲ WARNING: Never attempt to use this tool by resting it upside down on a work surface and bringing the material to the tool. Always securely clamp the workpiece and bring the tool to the workpiece, securely holding the tool with two hands as shown in Figure 13.

Place the wider portion of the saw foot plate on that part of the work piece which is solidly supported, not on the section that will fall off when the cut is made. As examples, Figure 13 illustrates the RIGHT way to cut off the end of a board. Always clamp work. Don't try to hold short pieces by hand! Remember to support cantilevered and overhanging material. Use caution when sawing material from below.

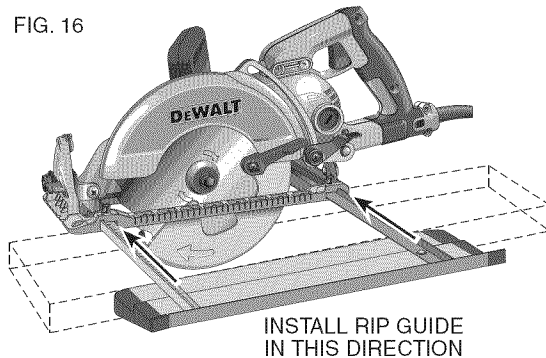
Be sure saw is up to full speed before blade contacts material to be cut. Starting saw with blade against material to be cut or pushed forward into kerf can result in kickback. Push the saw forward at a speed which allows the blade to cut without laboring. Hardness and toughness can vary even in the same piece of material, and knotty or damp sections can put a heavy load on the saw. When this happens, push the saw more slowly, but hard enough to keep working without much decrease in speed. Forcing the saw can cause rough cuts, inaccuracy, kickback, and over-heating of the motor. Should your cut begin to go off the line, don't try to force it back on. Release the switch and allow blade to come to a complete stop. Then you can withdraw the saw, sight anew, and start a new cut slightly inside the wrong one. In any event, withdraw the saw if you must shift the cut. Forcing a correction inside the cut can stall the saw and lead to kickback.

IF SAW STALLS, RELEASE THE TRIGGER AND BACK THE SAW UNTIL IT IS LOOSE. BE SURE BLADE IS STRAIGHT IN THE CUT AND CLEAR OF THE CUTTING EDGE BEFORE RESTARTING.

As you finish a cut, release the trigger and allow the blade to stop before lifting the saw from the work. As you lift the saw, the spring-tensioned telescoping guard will automatically close under the blade. Remember the blade is exposed until this occurs. Never reach under the work for any reason. When you have to retract the telescoping guard manually (as is necessary for starting pocket cuts) always use the retracting lever.

NOTE: When cutting thin strips, be careful to ensure that small cutoff pieces don't hang up on inside of lower guard.

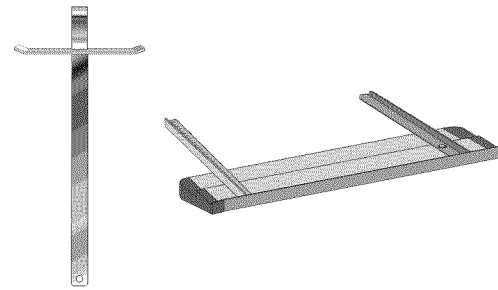
FIG. 16



RIPPING (FIG. 16)

Ripping is the process of cutting wider boards into narrower strips – cutting grain lengthwise. Hand guiding is more difficult for this type of sawing and the use of either DEWALT DW3278 rip guide or DWS5100 dual port rip guide is recommended (Fig. 17).

FIG. 17

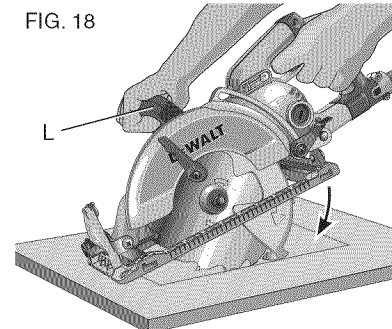
DW3278
RIP GUIDEDWS5100
DUAL PORT RIP GUIDE

POCKET CUTTING (FIG. 18)

▲ WARNING: Never tie the blade guard in a raised position. Never move the saw backwards when pocket cutting. This may cause the unit to raise up off the work surface which could cause injury.

A pocket cut is one that is made in a floor, wall, or other flat surface.

1. Adjust the saw foot plate so the blade cuts at desired depth.
2. Tilt the saw forward and rest front of the foot plate on material to be cut.
3. Using the retracting lever, retract lower blade guard to an upward position. Lower rear of foot plate until blade teeth almost touch cutting line.



4. Release the blade guard (its contact with the work will keep it in position to open freely as you start the cut). Remove hand from guard lever and firmly grip auxiliary handle (L), as shown in Figure 18. Position your body and arm to allow you to resist kickback if it occurs.
5. Make sure blade is not in contact with cutting surface before starting saw.
6. Start the motor and gradually lower the saw until its foot plate rests flat on the material to be cut. Advance saw along the cutting line until cut is completed.
7. Release trigger and allow blade to stop completely before withdrawing the blade from the material.
8. When starting each new cut, repeat as above.

MAINTENANCE

▲WARNING: To reduce the risk of serious personal injury, turn tool off and disconnect tool from power source before making any adjustments or removing/installing attachments or accessories.

Cleaning

▲WARNING: Blow dirt and dust out of all air vents with clean, dry air at least once a week. To minimize the risk of eye injury, always wear ANSI Z87.1 approved eye protection when performing this.

▲WARNING: Never use solvents or other harsh chemicals for cleaning the non-metallic parts of the tool. These chemicals may weaken the plastic materials used in these parts. Use a cloth dampened only with water and mild soap. Never let any liquid get inside the tool; never immerse any part of the tool into a liquid.

Lubrication

Self lubricating ball and roller bearings are used in the tool and relubrication is not required. However, it is recommended that, once a year, you take or send the tool to a certified service center for a thorough cleaning, inspection and lubrication of the gear case.

TO CHECK OIL

▲WARNING: Hot surfaces. Risk of burn. Motor and surrounding parts are very hot. Do not touch. Allow motor to cool prior to servicing.

▲WARNING: Be careful, gear oil may be hot! Contact with hot oil may result in personal injury.

NOTICE: Ensure there is gear oil in the saw before operating the saw or tool damage may occur.

NOTE: Gear oil contains substances that are regulated and must be disposed of in accordance with local, state, provincial and federal laws and regulations.

1. Place saw on a stable, level surface so the table of the saw sits flush against the surface.
2. With the wrench provided, turn the oil plug counterclockwise to remove.
3. Due to settling, even though the correct amount of oil may be present in the crankcase it may not be visible looking into the oil fill hole.
 - a. With the tool turned off and disconnected from the power source, rotate blade and look into oil fill hole.
 - b. If no oil is visible as the gears turn, it needs to be added.
4. To add oil, slowly add 85W-140 gear oil or equivalent until it reaches the lowest plug hole thread. 85W-140 gear oil or equivalent is available from your local DEWALT service center.

NOTE: When adding oil, allow the oil to flow very slowly. Overflow may occur if the oil is added too quickly.

- Replace the oil plug and tighten securely.
- Dispose of oil according to local, state and federal laws and regulations.

Brushes (Fig. 19)

Inspect carbon brushes regularly by unplugging the saw, removing the end cap (W) located above the depth adjustment lever (B) and withdrawing the brush assembly. Keep brushes clean and sliding freely in their guides. Always replace a used brush in the same orientation in the holder as it was prior to removal.

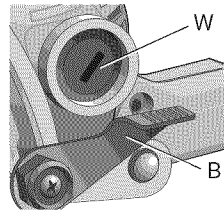
Carbon brushes have varying symbols stamped into their sides, and if either brush is worn down to the line closest to the spring, the brushes must be replaced. Use only identical DEWALT brushes. New brush assemblies are available at your local service center. Always replace the end cap after inspecting or servicing brushes. The tool should be allowed to "run in" (run at no load without a blade) for 5 minutes before use to seat new brushes. While "running in" **DO NOT TIE, TAPE, OR OTHERWISE LOCK THE TRIGGER SWITCH ON. HOLD BY HAND ONLY.**

Accessories

⚠WARNING: *Since accessories, other than those offered by DEWALT, have not been tested with this product, use of such accessories with this tool could be hazardous. To reduce the risk of injury, only DEWALT, recommended accessories should be used with this product.*

Recommended accessories for use with your tool are available at extra cost from your local service center. If you need any assistance in

FIG. 19



locating any accessory, please contact DEWALT Industrial Tool Co., 701 East Joppa Road, Baltimore, MD 21286, call 1-800-4-DEWALT (1-800-433-9258) or visit our website www.dewalt.com.

Repairs

To assure product SAFETY and RELIABILITY, repairs, maintenance and adjustments (including brush inspection and replacement) should be performed by a DEWALT factory service center, a DEWALT authorized service center or other qualified service personnel. Always use identical replacement parts.

Three Year Limited Warranty

DEWALT will repair, without charge, any defects due to faulty materials or workmanship for three years from the date of purchase. This warranty does not cover part failure due to normal wear or tool abuse. For further detail of warranty coverage and warranty repair information, visit www.dewalt.com or call 1-800-4-DEWALT (1-800-433-9258). This warranty does not apply to accessories or damage caused where repairs have been made or attempted by others. This warranty gives you specific legal rights and you may have other rights which vary in certain states or provinces.

In addition to the warranty, DEWALT tools are covered by our:

1 YEAR FREE SERVICE

DEWALT will maintain the tool and replace worn parts caused by normal use, for free, any time during the first year after purchase.

90 DAY MONEY BACK GUARANTEE

If you are not completely satisfied with the performance of your DEWALT Power Tool, Laser, or Nailer for any reason, you can return it within 90 days from the date of purchase with a receipt for a full refund – no questions asked.

LATIN AMERICA: This warranty does not apply to products sold in Latin America. For products sold in Latin America, see country specific warranty information contained either in the packaging, call the local company or see website for warranty information.

FREE WARNING LABEL REPLACEMENT: If your warning labels become illegible or are missing, call 1-800-4-DEWALT (1-800-433-9258) for a free replacement.

DWS535 7-1/8" (184mm) WORM DRIVE CIRCULAR SAW

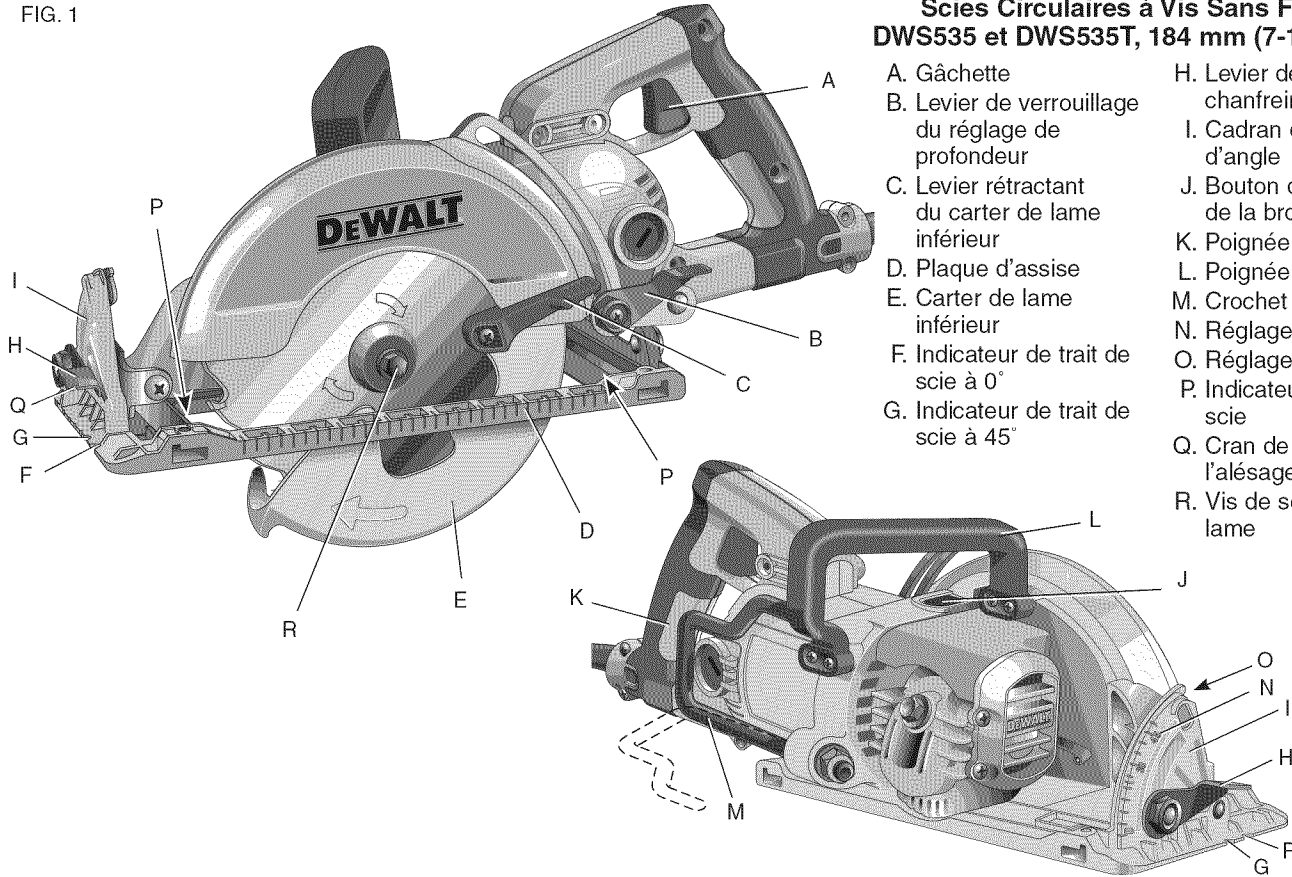
⚠ DANGER/PELIGRO KEEP HANDS AND BODY AWAY FROM AND TO THE SIDE OF THE BLADE. CONTACT WITH BLADE WILL RESULT IN SERIOUS INJURY. MANTENGA LAS MANOS Y EL CUERPO ALEJADOS Y HACIA EL COSTADO DEL DISCO. CUALQUIER CONTACTO CON EL DISCO PUEDE RESULTAR EN LESIONES SERIAS. ÉLOIGNER LES MAINS ET E CORPS DU DEVANT DE LA LAME ET LES LAISSER SUR LE CÔTÉ DE CELLE-CI LE CONTACT AVEC LA LAME CAUSE DE GRAVES BLESSURES.

WARNING/ADVERENCIA/AVERTISSEMENT

TO REDUCE THE RISK OF INJURY, USER MUST READ INSTRUCTION MANUAL, CHECK GUARDING SYSTEM, IT MUST COVER THE BLADE INSTANTLY! HOLD SAW WITH BOTH HANDS, SUPPORT AND CLAMP WORK, WEAR EYE PROTECTION, ALWAYS USE PROPER RESPIRATORY PROTECTION. PARA DISMINUIR EL RIESGO DE LESIONES, EL USUARIO DEBERÁ LEER EL MANUAL DE INSTRUCCIONES, REVISE EL SISTEMA DE PROTECCION, DEBERA CUBRIR LA HOJA INSTANTANEAMENTE! SOSTENGA LA SIERRA CON AMBAS MANOS, TRABAJO DE LA AVIDA Y DE LA ABRAZADERA, SIEMPRE SE DEBERA LLEVAR LA PROTECCION APROPIADA PARA LA VISTA Y PARA LAS VIAS RESPIRATORIAS. AFIN DE MINIMISER LES RISQUES DE BLESSURES, L'UTILISATEUR DOIT LIRE LE GUIDE D'UTILISATION, VERIFIER LE BON FONCTIONNEMENT DU DISPOSITIF DE PROTECTION, IL DOIT POUVOIR RECOUVRIR LA LAME INSTANTANEMENT ! TENIR LA SCIE DES DEUX MAINS, SOUTENIR ET FIXER LA PEECE A OUVRIER, IL FAUT TOUJOURS PORTER DE L'EQUIPEMENT DE PROTECTION OCULAIRE ET RESPIRATOIRE APPROPRIE.

©DEWALT INDUSTRIAL TOOL CO., BALTIMORE, MD 21286 USA
FOR SERVICE INFORMATION CALL 1-800-4-DEWALT www.DEWALT.com

FIG. 1



Scies Circulaires à Vis Sans Fin, DWS535 et DWS535T, 184 mm (7-1/4 po)

- A. Gâchette
- B. Levier de verrouillage du réglage de profondeur
- C. Levier rétractant du carter de lame inférieur
- D. Plaque d'assise
- E. Carter de lame inférieur
- F. Indicateur de trait de scie à 0°
- G. Indicateur de trait de scie à 45°
- H. Levier de réglage de chanfrein
- I. Cadran de réglage d'angle
- J. Bouton de verrouillage de la broche
- K. Poignée principale
- L. Poignée auxiliaire
- M. Crochet de suspension
- N. Réglage grossier
- O. Réglage de précision
- P. Indicateurs de trait de scie
- Q. Cran de retrait de l'alésage amovible
- R. Vis de serrage de lame

Définitions : lignes directrices en matière de sécurité

Les définitions ci-dessous décrivent le niveau de danger pour chaque mot-indicateur employé. Lire le mode d'emploi et porter une attention particulière à ces symboles.

⚠DANGER : indique une situation dangereuse imminente qui, si elle n'est pas évitée, **entraînera la mort ou des blessures graves**

⚠AVERTISSEMENT : indique une situation potentiellement dangereuse qui, si elle n'est pas évitée, **pourrait entraîner la mort ou des blessures graves**

⚠ATTENTION : indique une situation potentiellement dangereuse qui, si elle n'est pas évitée, **pourrait entraîner des blessures légères ou modérées.**

AVIS : indique une pratique ne posant **aucun risque de dommages corporels** mais qui par contre, si rien n'est fait pour l'éviter, **pourrait poser des risques de dommages matériels.**

POUR TOUTE QUESTION OU REMARQUE AU SUJET DE CET OUTIL OU DE TOUT AUTRE OUTIL DEWALT, COMPOSEZ LE NUMÉRO SANS FRAIS : **1-800-4-DEWALT (1-800-433-9258)**.



AVERTISSEMENT : afin de réduire le risque de blessures, lire le mode d'emploi de l'outil.

Avertissements de sécurité généraux pour les outils électriques

⚠ AVERTISSEMENT! Lire tous les avertissements de sécurité et toutes les directives. Le non-respect des avertissements et des directives pourrait se solder par un choc électrique, un incendie et/ou une blessure grave.

CONSERVER TOUS LES AVERTISSEMENTS ET TOUTES LES DIRECTIVES POUR UN USAGE ULTÉRIEUR

Le terme « outil électrique » cité dans les avertissements se rapporte à votre outil électrique à alimentation sur secteur (avec fil) ou par piles (sans fil).

1) SÉCURITÉ DU LIEU DE TRAVAIL

- Tenir l'aire de travail propre et bien éclairée.** Les lieux encombrés ou sombres sont propices aux accidents.
- Ne pas faire fonctionner d'outils électriques dans un milieu déflagrant, tel qu'en présence de liquides, de gaz ou de poussières inflammables.** Les outils électriques produisent des étincelles qui pourraient enflammer la poussière ou les vapeurs.
- Éloigner les enfants et les personnes à proximité pendant l'utilisation d'un outil électrique.** Une distraction pourrait en faire perdre la maîtrise à l'utilisateur.

2) SÉCURITÉ EN MATIÈRE D'ÉLECTRICITÉ

- Les fiches des outils électriques doivent correspondre à la prise. Ne jamais modifier la fiche d'aucune façon. Ne jamais utiliser de fiche d'adaptation avec un outil**

électrique mis à la terre. Le risque de choc électrique sera réduit par l'utilisation de fiches non modifiées correspondant à la prise.

- b) Éviter tout contact physique avec des surfaces mises à la terre comme des tuyaux, des radiateurs, des cuisinières et des réfrigérateurs.** Le risque de choc électrique est plus élevé si votre corps est mis à la terre.
 - c) Ne pas exposer les outils électriques à la pluie ou à l'humidité.** La pénétration de l'eau dans un outil électrique augmente le risque de choc électrique.
 - d) Ne pas utiliser le cordon de façon abusive. Ne jamais utiliser le cordon pour transporter, tirer ou débrancher un outil électrique. Tenir le cordon éloigné de la chaleur, de l'huile, des bords tranchants et des pièces mobiles.** Les cordons endommagés ou enchevêtrés augmentent les risques de choc électrique.
 - e) Pour l'utilisation d'un outil électrique à l'extérieur, se servir d'une rallonge convenant à cette application.** L'utilisation d'une rallonge conçue pour l'extérieur réduira les risques de choc électrique.
 - f) S'il est impossible d'éviter l'utilisation d'un outil électrique dans un endroit humide, brancher l'outil dans une prise ou sur un circuit d'alimentation dotés d'un disjoncteur de fuite à la terre (GFCI).** L'utilisation de ce type de disjoncteur réduit les risques de choc électrique
- 3) SÉCURITÉ PERSONNELLE**
- a) Être vigilant, surveiller le travail effectué et faire preuve de jugement lorsqu'un outil électrique est utilisé. Ne pas utiliser d'outil électrique en cas de fatigue ou sous l'influence de drogues, d'alcool ou de médicaments.** Un simple moment d'inattention en utilisant un outil électrique peut entraîner des blessures corporelles graves.

- b) Utiliser des équipements de protection individuelle. Toujours porter une protection oculaire.** L'utilisation d'équipements de protection comme un masque antipoussière, des chaussures antidérapantes, un casque de sécurité ou des protecteurs auditifs lorsque la situation le requiert réduira les risques de blessures corporelles.
- c) Empêcher les démarrages intempestifs. S'assurer que l'interrupteur se trouve à la position d'arrêt avant de relier l'outil à une source d'alimentation et/ou d'insérer un bloc-piles, de ramasser ou de transporter l'outil.** Transporter un outil électrique alors que le doigt repose sur l'interrupteur ou brancher un outil électrique dont l'interrupteur est à la position de marche risque de provoquer un accident.
- d) Retirer toute clé de réglage ou clé avant de démarrer l'outil.** Une clé ou une clé de réglage attachée à une partie pivotante de l'outil électrique peut provoquer des blessures corporelles.
- e) Ne pas trop tendre les bras. Conserver son équilibre en tout temps.** Cela permet de mieux maîtriser l'outil électrique dans les situations imprévues.
- f) S'habiller de manière appropriée. Ne pas porter de vêtements amples ni de bijoux. Garder les cheveux, les vêtements et les gants à l'écart des pièces mobiles.** Les vêtements amples, les bijoux ou les cheveux longs risquent de rester coincés dans les pièces mobiles.
- g) Si des composants sont fournis pour le raccordement de dispositifs de dépoussiérage et de ramassage, s'assurer que ceux-ci sont bien raccordés et utilisés.** L'utilisation d'un dispositif de dépoussiérage peut réduire les dangers engendrés par les poussières.

4) UTILISATION ET ENTRETIEN D'UN OUTIL ÉLECTRIQUE

- a) **Ne pas forcer un outil électrique. Utiliser l'outil électrique approprié à l'application.** L'outil électrique approprié effectuera un meilleur travail, de façon plus sûre et à la vitesse pour laquelle il a été conçu.
- b) **Ne pas utiliser un outil électrique dont l'interrupteur est défectueux.** Tout outil électrique dont l'interrupteur est défectueux est dangereux et doit être réparé.
- c) **Débrancher la fiche de la source d'alimentation et/ou du bloc-piles de l'outil électrique avant de faire tout réglage ou changement d'accessoire ou avant de ranger l'outil.** Ces mesures préventives réduisent les risques de démarrage accidentel de l'outil électrique.
- d) **Ranger les outils électriques hors de la portée des enfants et ne permettre à aucune personne n'étant pas familière avec un outil électrique ou son mode d'emploi d'utiliser cet outil.** Les outils électriques deviennent dangereux entre les mains d'utilisateurs inexpérimentés.
- e) **Entretien des outils électriques. Vérifier si les pièces mobiles sont mal alignées ou coincées, si des pièces sont brisées ou présentent toute autre condition susceptible de nuire au bon fonctionnement de l'outil électrique. En cas de dommage, faire réparer l'outil électrique avant toute nouvelle utilisation.** Beaucoup d'accidents sont causés par des outils électriques mal entretenus.
- f) **S'assurer que les outils de coupe sont aiguisés et propres.** Les outils de coupe bien entretenus et affûtés sont moins susceptibles de se coincer et sont plus faciles à maîtriser.
- g) **Utiliser l'outil électrique, les accessoires, les forets, etc. conformément aux présentes directives en tenant compte des conditions de travail et du travail à effectuer.** L'utilisation d'un outil électrique pour toute opération autre que celle pour laquelle il a été conçu est dangereuse.

5) RÉPARATION

- a) **Faire réparer l'outil électrique par un réparateur professionnel en n'utilisant que des pièces de rechange identiques.** Cela permettra de maintenir une utilisation sécuritaire de l'outil électrique.

Consignes de sécurité propres à toutes les scies

▲ DANGER:

- a) **Gardez les mains à distance de la zone de coupe et de la lame. Gardez une de vos mains sur la poignée auxiliaire ou sur le carter du moteur.** Si vous tenez la scie de vos deux mains, elles ne peuvent pas être coupées par la lame.
- b) **N'essayez pas de tenir le dessous de l'ouvrage.** Le protège-lame ne peut pas vous protéger de la lame en dessous de l'ouvrage.
- c) **Ajustez la profondeur de coupe à l'épaisseur de l'ouvrage.** Moins d'une dent entière de lame devrait être visible en dessous de l'ouvrage.
- d) **Ne tenez jamais dans vos mains ou sur vos genoux un ouvrage qui est en cours de coupe. Fixez votre ouvrage sur une plateforme stable.** Il est important de soutenir correctement l'ouvrage afin de minimiser l'exposition du corps à la lame, le risque de coincement de la lame ou la perte de contrôle de l'outil.
- e) **Tenez l'outil électrique par ses surfaces de préhension isolantes quand vous réalisez une opération au cours de laquelle l'outil de coupe pourrait entrer en contact avec des câbles dissimulés ou avec son propre cordon électrique.** Le contact avec un fil sous tension mettra également sous tension toutes les pièces métalliques exposées et donnera un choc électrique à l'utilisateur de l'outil.

- f) **Pendant les coupes de refente, utilisez toujours un guide de refente ou un guide à bord droit.** Ceci augmente toujours l'exactitude de la coupe et diminue la possibilité de coincement de la lame.
- g) **Utilisez toujours des lames dont l'alésage central est de la taille et de la forme appropriées (soit en forme de diamant, soit en forme de rond).** Les lames qui ne correspondent pas aux pièces de montage de la cie tourneront de façon excentrique, ce qui causera une perte de contrôle de l'outil.
- h) **Ne vous servez jamais de rondelles ou de boulons de lames qui sont endommagés ou inappropriés.** Les rondelles et le boulon de lame ont été conçus spécifiquement pour votre scie dans le but d'assurer une performance optimale et un fonctionnement sans danger.

CAUSES DES REBONDS ET MÉTHODES DE PRÉVENTION POUVANT ÊTRE UTILISÉES PAR L'UTILISATEUR :

- Le rebond est une réaction subite (causée par une lame de scie pincée, coincée ou mal alignée) qui peut entraîner le soulèvement d'une scie non contrôlée, sa sortie de l'ouvrage et sa projection en direction de l'utilisateur.
- Si la lame est pincée ou coincée fortement pendant l'abaissement de la scie, la lame se cale et le moteur réagit en entraînant rapidement l'outil vers l'arrière dans la direction de l'opérateur.
- Si la lame se tord ou perd son alignement correct au cours de la coupe, les dents sur le bord arrière de la lame peuvent entamer la surface supérieure du bois, forçant ainsi la lame à sortir du trait de scie et à « sauter » vers l'arrière en direction de l'opérateur.

Le rebond est la conséquence d'une mauvaise utilisation de la scie et/ou de procédures ou de conditions incorrectes, et il peut être évité en prenant les précautions qui sont décrites ci-dessous :

- a) **Maintenez fermement la scie avec vos deux mains et positionnez vos bras de façon à résister aux forces de rebond.** Les forces de rebond peuvent être contrôlées par l'utilisateur quand les précautions appropriées sont prises.
- b) **En cas de coincement de la lame ou d'interruption d'une coupe pour une raison quelconque, relâchez la gâchette et tenez la scie immobile dans l'ouvrage jusqu'à ce que la lame se soit immobilisée complètement. Ne tentez jamais de retirer la scie de l'ouvrage ou de la tirer vers l'arrière pendant que la lame est en mouvement, car un rebond risquerait de se produire.** Évaluez la situation et prenez les mesures correctives nécessaires pour éliminer la cause du coincement de la lame.
- c) **Lorsque vous remettez une scie en marche quand l'ouvrage est présent, centrez la lame de scie dans le trait de scie et vérifiez que les dents de la lame ne sont pas engagées dans le matériau de l'ouvrage.** Si la lame de scie se coince, elle peut grimper hors de l'ouvrage ou rebondir sur celui-ci quand la scie est remise en marche.
- d) **Soutenez les panneaux de grande taille de façon à minimiser le risque de pincement et de rebond de la lame.** Les panneaux de grande taille ont tendance à s'affaisser sous leur propre poids. Des supports doivent être placés des deux côtés sous le panneau, à proximité de la ligne de coupe et à proximité du rebord du panneau.
- e) **N'utilisez pas de lame émoussée ou endommagée.** Des lames non aiguisées ou mal installées produisent un trait de scie étroit qui cause une friction excessive, le coincement de la lame et un effet de rebond.
- f) **Les leviers de réglage de la profondeur et de l'angle de coupe de la lame doivent être bien serrés et assujettis avant de réaliser une coupe.** Une modification du réglage de la lame pendant la coupe risque d'entraîner un coincement et un rebondissement de la lame.

- g) Procédez avec une prudence supplémentaire quand vous réalisez une coupe « en plongée » dans des murs déjà en place ou dans des pièces sans issue. La lame saillante peut couper des objets, et ceci peut entraîner un rebond.**

CONSIGNES DE SÉCURITÉ RELATIVES AU PROTÈGE-LAME INFÉRIEUR

- a) Inspectez le protège-lame inférieur avant chaque utilisation pour vous assurer qu'il se ferme correctement.** Ne faites pas fonctionner la scie si le protège-lame inférieur ne se déplace pas librement et ne se ferme pas instantanément. Ne forcez jamais le protège-lame inférieur dans la position ouverte à l'aide d'un collier de serrage ou d'une attache. Il est possible que le protège-lame inférieur se torde en cas de chute accidentelle de la scie. Soulevez le protège-lame inférieur à l'aide de la poignée rétractable et assurez-vous qu'il se déplace sans problème et qu'il ne touche pas la lame ou une autre pièce, quel que soit l'angle ou la profondeur de la coupe.
- b) Vérifiez le fonctionnement du ressort du protège-lame inférieur. Si le protège-lame inférieur et le ressort ne fonctionnent pas correctement, ils doivent être réparés avant l'emploi.** Le protège-lame inférieur peut parfois mal fonctionner à cause de pièces endommagées, d'accumulation de résine ou de débris.
- c) Le protège-lame inférieur doit être rétracté à la main uniquement à l'occasion de coupes spéciales telles que les « coupes en plongée » ou les « coupes composées ». Soulevez le protège-lame inférieur à l'aide la poignée rétractable et relâchez-le dès que la lame pénètre dans le matériau de l'ouvrage. Pour toute autre opération de sciage, le protège-lame inférieur doit fonctionner automatiquement.**
- d) Vérifiez toujours que le protège-lame inférieur couvre la lame avant de placer la scie sur un banc ou sur le sol.**

Une lame non protégée qui tourne librement entraînera le mouvement de la scie en marche arrière, ce qui provoquera la coupe de tout ce qui se trouve sur sa trajectoire. Soyez conscient du temps nécessaire à la lame pour s'arrêter une fois que la gâchette est relâchée.

Consignes additionnelles de sécurité

- **Utiliser des serre-joints, ou tout autre moyen, pour fixer et immobiliser le matériau sur une surface stable.** Tenir la pièce à la main ou contre son corps offre une stabilité insuffisante qui pourrait vous en faire perdre le contrôle.
- **Positionner le corps sur l'un des côtés de la lame, mais jamais dans son alignement.** Un REBOND pourrait faire sauter la scie en arrière (se reporter aux sections **Causes et prévention des rebonds et REBONDS**).
- **Éviter de couper des clous. Inspecter le bois et retirer les clous présents avant toute coupe.**
- **S'assurer que rien ne viendra interférer avec le mouvement du carter de lame inférieur.**
- **La vitesse nominale des accessoires doit être équivalente ou supérieure à celle recommandée sur l'étiquette d'avertissement de l'outil.** Une meule ou tout autre accessoire tournant à une vitesse supérieure à sa vitesse nominale peut se désintégrer et poser des risques de dommages corporels. L'intensité nominale des accessoires utilisés doit être supérieure à la vitesse minimum des outils, indiquée sur la plaque signalétique.
- Avant toute utilisation, s'assurer systématiquement que la scie est propre.
- En cas de bruit inhabituel ou de fonctionnement anormal, arrêter l'utilisation de la scie et la faire vérifier.

- S'assurer systématiquement que tous les composants sont installés correctement et solidement avant toute utilisation de l'outil.
- Prendre systématiquement des précautions lors de l'installation et du retrait de la lame de la scie ou de l'alésage amovible en losange.
- Attendre systématiquement que le moteur tourne à plein régime avant d'entamer une coupe.
- Maintenir les poignées propres et sèches, exemptes d'huile ou de graisse. Pendant l'utilisation, maintenir fermement l'outil à deux mains.
- Rester constamment vigilant, particulièrement lors d'opérations répétitives et monotones. Rester systématiquement conscient de la position des mains par rapport à la lame.
- Se protéger de la chute de tout rebut pendant la coupe. Ils pourraient être brûlants, coupants et/ou lourds et poser des risques de dommages corporels sérieux.
- Remplacer ou faire réparer tout cordon endommagé. S'assurer que la rallonge est en bon état. N'utiliser que des rallonges trifilaires munies de fiches tripolaires, et des prises tripolaires acceptant la fiche de l'outil.

Pour la sécurité de l'utilisateur, utiliser une rallonge de calibre adéquat (AWG, American Wire Gauge [calibrage américain normalisé des fils électriques]). Plus le calibre est petit, et plus sa capacité est grande. Un calibre 16, par exemple, a plus de capacité qu'un calibre 18. L'usage d'une rallonge de calibre insuffisant causera une chute de tension entraînant perte de puissance et surchauffe. Si plusieurs rallonges sont nécessaires pour obtenir une certaine longueur, s'assurer que chaque rallonge présente au moins le calibre de fil minimum. Le tableau ci-dessous illustre les calibres à utiliser selon la longueur de rallonge et l'intensité nominale indiquée sur la plaque

signalétique. En cas de doute, utiliser le calibre suivant. Plus le calibre est petit, plus la rallonge peut supporter de courant.

Calibres minimaux des rallonges						
Intensité (en ampères)		Volts	Longueur totale de cordon en mètres (pieds)			
			120V	7,6 (25)	15,2 (50)	30,5 (100)
		240V	15,2 (50)	30,5 (100)	61,0 (200)	91,4 (300)
Plus de	Pas plus de	AWG				
		0	6	18	16	16
	6		18	16	14	12
	10		16	16	14	12
	12		14	12	Non recommandé	

▲ ATTENTION : la lame continue de tourner après l'arrêt de la scie, et pose des risques de dommages corporels sérieux.

▲ AVERTISSEMENT : Pendant l'utilisation, porter systématiquement une protection auditive individuelle adéquate homologuée ANSI S12.6 (S3.19). Sous certaines conditions et suivant la longueur d'utilisation, le bruit émanant de ce produit pourrait contribuer à une perte de l'acuité auditive.

▲ AVERTISSEMENT : Porter systématiquement une protection oculaire. Tout utilisateur ou individu présent doit porter une protection oculaire homologuée ANSI Z87.1.

AVERTISSEMENT : Porter **SYSTÉMATIQUEMENT** des lunettes de protection. Les lunettes courantes NE sont PAS des lunettes de protection. Utiliser aussi un masque antipoussières si la découpe doit en produire beaucoup. **PORTER SYSTÉMATIQUEMENT UN ÉQUIPEMENT DE SÉCURITÉ HOMOLOGUÉ :**

- Protection oculaire ANSI Z87.1 (CAN/CSA Z94.3 ;
- Protection auditive ANSI S12.6 (S3.19) ;
- Protection des voies respiratoires NIOSH/OSHA/MSHA.

⚠ AVERTISSEMENT : Les scies, meules, ponceuses, perceuses ou autres outils de construction peuvent produire des poussières contenant des produits chimiques reconnus pour causer cancers, malformations congénitales ou être nocifs au système reproducteur. Parmi ces produits chimiques, on retrouve :

- le plomb dans les peintures à base de plomb ;
- la silice cristallisée dans les briques et le ciment ou autres articles de maçonnerie ; et
- l'arsenic et le chrome dans le bois ayant subi un traitement chimique.

Le risque associé à de telles expositions varie selon la fréquence à laquelle on effectue ces travaux. Pour réduire toute exposition à ces produits : travailler dans un endroit bien aéré, en utilisant du matériel de sécurité homologué tel un masque antipoussières spécialement conçu pour filtrer les particules microscopiques.

- **limiter tout contact prolongé avec les poussières provenant du ponçage, sciage, meulage, perçage ou toute autre activité de construction. Porter des vêtements de protection et nettoyer à l'eau savonneuse les parties du corps exposées.** Le fait de laisser la poussière pénétrer dans la bouche, les yeux ou la peau peut provoquer l'absorption de produits chimiques dangereux.

⚠ AVERTISSEMENT : Cet outil peut produire et/ou répandre de la poussière susceptible de causer des dommages sérieux et permanents au système respiratoire. Toujours utiliser un appareil respiratoire antipoussières homologué par le NIOSH ou l'OSHA. Diriger les particules dans le sens opposé au visage et au corps.

- L'étiquette apposée sur votre outil peut comprendre les symboles suivants. Les symboles et leurs définitions sont indiqués ci-après:

V.....volts	Aampères
Hz.....hertz	Wwatts

min minutes	~courant alternatif
≡ courant continu	~courant alternatif
⚠ Construction de classe I (mis à la terre)ou continu
□ Construction de classe II (à double isolation)	n ₀vitesse à vide
BPM..... coups par minute	⊕borne de terre
.../min par minute	⚠symbole d'alerte à la sécurité
IPM..... impacts par minute	RPM....rotations ou alternance par minute

CONSERVER CES CONSIGNES POUR UTILISATION ULTÉRIEURE

DESCRIPTION (FIG. 1)

⚠ AVERTISSEMENT : ne jamais modifier l'outil électrique ni aucun de ses composants, car il y a risques de dommages corporels ou matériels.

Se reporter à la figure 1 pour obtenir une description détaillée de la scie.

USAGE PRÉVU

Ces scies circulaires industrielles ont été conçues pour la découpe professionnelle du bois. **NE PAS** utiliser d'accessoires d'alimentation en eau avec cette scie. **NE PAS** utiliser de meules ou de lames abrasives. **NE PAS** utiliser l'outil en milieu ambiant humide ou en présence de liquides ou de gaz inflammables.

Ces scies industrielles sont des outils de professionnels. **NE PAS** les laisser à la portée des enfants. Une supervision est nécessaire auprès de tout utilisateur non expérimenté.

Crochet de suspension (Fig. 2)

⚠ AVERTISSEMENT : pour réduire tout risque de dommages corporels graves, ne pas utiliser la scie avec son crochet de suspension repoussé sous la plaque d'assise.

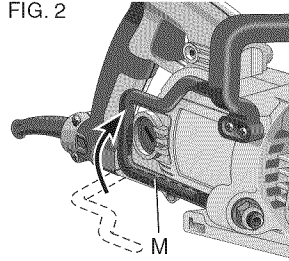
⚠ AVERTISSEMENT : pour réduire tout risque de dommages corporels sur l'utilisateur ou toute autre personne à proximité en cas de chute de la scie, s'assurer que celle-ci est soigneusement soutenue lorsqu'elle est suspendue par son crochet à un chevron, une poutrelle ou tout autre support en hauteur.

Votre scie est équipée d'un crochet de suspension pratique qui permet d'accrocher la scie à une poutrelle, un chevron ou toute autre structure stable et adéquate. Le crochet de suspension se replie à plat contre le corps de l'outil après utilisation.

Pour utiliser le crochet de suspension, repoussez le crochet à l'écart de la poignée jusqu'à ce qu'il s'enclenche en position.

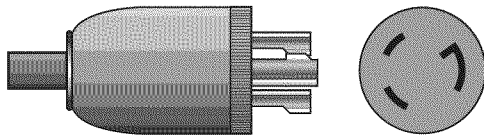
Pour ramener le crochet de suspension sur sa position de rangement, tirez sur le crochet jusqu'à ce qu'il se verrouille contre le corps de l'outil.

FIG. 2



Connecteur à verrouillage par rotation (DWS535T)

FIG. 3



Le modèle DWS535T est équipé d'un connecteur à verrouillage par rotation, comme illustré en figure 3, qui permet d'éviter que le cordon se débranche s'il est tiré par inadvertance. Branchez le connecteur à verrouillage par rotation uniquement sur une rallonge trifilaire avec une prise femelle.

Réglage de profondeur de coupe (Fig. 1, 4, 5)

1. Maintenez fermement la scie. Soulevez le levier de verrouillage de réglage de profondeur (B) pour déplacer la plaque d'assise afin d'obtenir la profondeur de coupe désirée.
2. Rabaissez le levier de verrouillage de réglage de profondeur puis resserrez soigneusement le verrouillage de profondeur avant toute utilisation de la scie.

La précision des repères de longueur de coupe sur le côté de la plaque d'assise n'est correcte que lorsque la profondeur de coupe est maximale. Réglez la scie sur la profondeur de coupe correcte permet de minimiser la friction de lame, d'éliminer la sciure entre les dents de lames, de maintenir la température de sciage basse et une vitesse de sciage rapide tout en réduisant les risques de rebonds.

FIG. 4

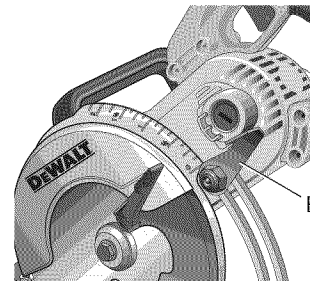
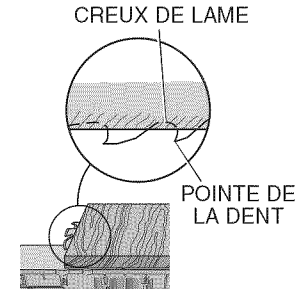


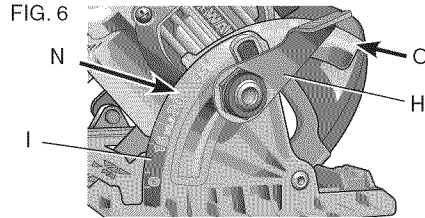
FIG. 5



Pour une coupe optimale, réglez la profondeur de façon à ce qu'une moitié de dent de scie dépasse du matériau à couper. Il s'agit de la distance entre la pointe de la dent de lames et le creux la précédant (se reporter à l'encadré de la figure 5). Cela permet de minimiser la friction de lame, d'éliminer la sciure de la coupe, de maintenir la température de sciage basse et une vitesse de sciage rapide tout en réduisant les risques de rebonds. Une méthode de vérification de la profondeur de coupe correcte est illustrée en figure 5. Posez un morceau du matériau à découper sur le côté de la lame, comme illustré, et vérifiez la longueur de dent dépassant du matériau.

Réglage de l'angle de chanfrein (Fig. 1, 6)

La gamme complète de réglages de chanfrein se situe entre 0° et 53°. Les crans sont situés à 22,5° et 45°. Le cadran de réglage d'angle est gradué par segments de 1°. À l'avant de la scie se trouve le mécanisme de réglage d'angle de chanfrein qui se présente sous la forme d'un cadran de réglage d'angle étalonné (I) et d'un levier de réglage de chanfrein (H). Le cadran de réglage d'angle comporte un réglage grossier (N) ou un réglage de précision (O) pour effectuer des coupes adaptées.



RÉGLAGE DE LA SCIE POUR EFFECTUER UNE COUPE EN BISEAU

1. Relevez le levier de réglage de chanfrein (H) et inclinez la plaque d'assise sur l'angle désiré en alignant l'index sur le repère d'angle voulu.

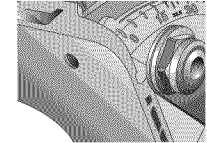
2. Rabattez le levier de réglage de chanfrein puis resserrez-le soigneusement pour verrouiller l'angle.

Réglage de la plaque d'assise pour des coupes à 90°

SI UN RÉGLAGE ADDITIONNEL S'AVÈRE NÉCESSAIRE

1. Ajustez la scie sur un chanfrein de 0°.
2. Rétractez le carter de lame. Placez la scie du côté lame.
3. Relevez le levier de réglage de chanfrein. Placez une équerre contre la lame et la plaque d'assise pour un réglage à 90°.
4. Réglez le vis de réglage située sur le fond de la plaque d'assise (fig. 7), de façon à ce que celle-ci s'arrête sur l'angle voulu.
5. Contrôlez la précision du réglage en vérifiant la coupe à angle droit d'un rebut.

FIG. 7

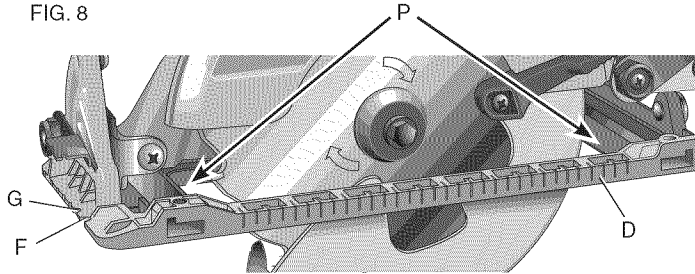


Indicateur de trait de scie (Fig. 8)

L'avant de la plaque d'assise de scie (D) comprend un indicateur de trait de scie à 0° (F) et un indicateur de trait de scie à 45° (G) pour des coupes verticales et en biseau. Les indicateurs de trait de scie vous permettent de guider la scie le long des lignes de coupe tracées sur la pièce à travailler.

L'indicateur s'aligne sur le côté gauche (externe) de la lame de scie. La lame effectuant la rainure ou « trait de scie », se trouve à la droite de l'indicateur. Positionnez la scie le long du tracé de coupe de façon à ce que l'indicateur se trouve du côté du surplus de matériau. Les indicateurs de tracé à l'avant de la plaque d'assise sont à 13 mm (1/2 po) d'intervalle pour servir de guides additionnels de coupe.

FIG. 8



Les indicateurs de trait de scie (P) se trouvent aussi sur l'intérieur de la plaque d'assise pour maintenir la scie perpendiculaire pendant la coupe.

FONCTIONNEMENT

⚠ AVERTISSEMENT : pour réduire tout risque de dommages corporels graves, arrêter et débrancher l'outil avant tout réglage ou avant de retirer ou installer toute pièce ou tout accessoire.

IMPORTANT : s'assurer systématiquement que le levier de verrouillage de réglage de profondeur est rabattu avant toute utilisation de la scie.

Gâchette (Fig. 1)

⚠ AVERTISSEMENT : pour réduire tout risque de dommages corporels graves, maintenir la scie à deux mains au démarrage pour éviter tout rebond.

Appuyez sur la gâchette (A) pour mettre l'outil en marche. Pour arrêter l'outil, relâchez la gâchette.

REMARQUE : l'outil ne possède aucun verrouillage de gâchette en position de marche et ne devrait en aucune manière être verrouillé ainsi.

Changement de lame (Fig. 1, 9-12)

IMPORTANT : la plupart des lames de rechange sont équipées d'un alésage central rond qui peut être repoussé de façon à dévoiler un alésage central en losange. Seules des lames avec un alésage central en losange peuvent être utilisées avec cette scie.

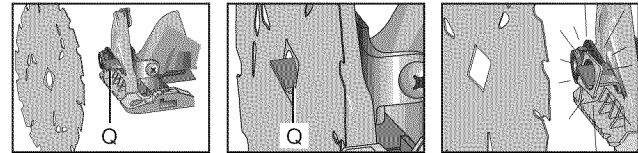
AVIS : ne jamais installer une lame sans avoir tout d'abord retiré l'alésage amovible. Si la lame n'est pas enclenchée correctement, elle pourra entrer en contact avec d'autres parties de la scie et causer des dommages matériels.

RETRAIT DE L'ALÉSAGE AMOVIBLE

⚠ AVERTISSEMENT : porter **SYSTÉMATIQUEMENT** une protection oculaire. Tout utilisateur ou individu présent doit porter une protection oculaire homologuée ANSI Z87.1.

⚠ AVERTISSEMENT : après avoir utilisé le levier de verrouillage de réglage de chanfrein pour retirer l'alésage amovible, s'assurer qu'il est soigneusement et fermement resserré. Si le réglage de lame venait à changer en cours de coupe, cela poserait des risques de grippage et de rebonds.

FIG. 9



Placez le trou central rond de la meule sur le cran (Q) sur le dessus du levier de réglage de chanfrein (H). Tout en maintenant fermement la scie et la lame, tirez pour faire sortir l'alésage amovible. L'alésage central en losange est maintenant visible.

INSTALLATION DE LA LAME (FIG. 1, 10, 11)

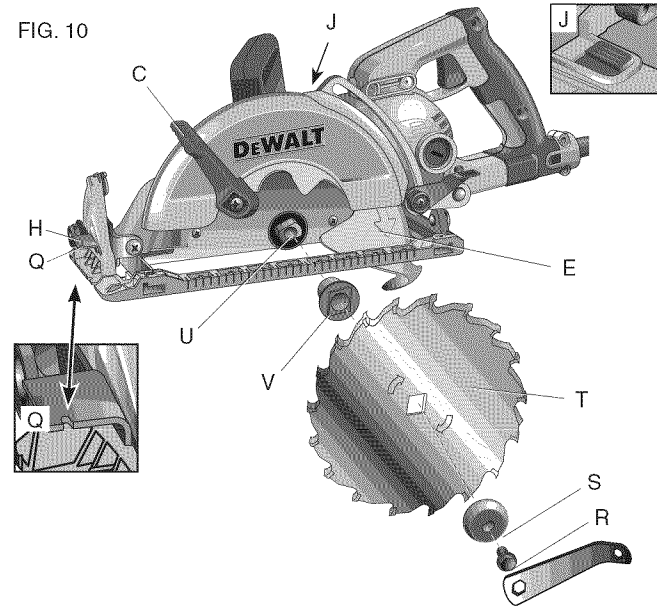
1. Desserrez puis retirez la vis de serrage de lame (R) à l'aide de la clé fournie à cet effet, en la faisant tourner vers la droite comme indiqué par la flèche sur la rondelle de retenue externe (S).
2. Retirez la rondelle de serrage externe (S).
3. À l'aide du levier rétractant du carter de lame inférieur (C), rétractez le carter de lame inférieur (E).

IMPORTANT : avant de rétracter le carter de lame inférieur pour installer la lame, vérifier l'état et le fonctionnement du carter de lame inférieur pour s'assurer qu'il est parfaitement opérationnel. Vérifier bien que le carter bouge librement et ne touche pas la lame, la plaque d'assise ou toute autre partie de la scie, à tout angle et toute profondeur de coupe.

4. Placez la lame (T) sur la broche de scie (U) contre la rondelle de serrage interne (V), en vous assurant que la lame tournera dans le bon sens (le sens de la flèche de rotation sur la lame et les dents doit pointer dans la même direction que celle de la flèche de rotation sur le carter de lame inférieur).

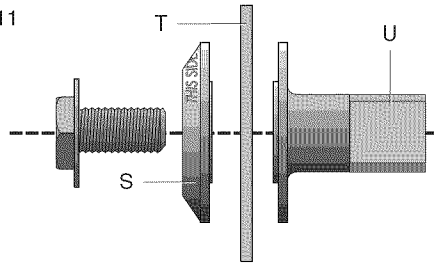
IMPORTANT : s'assurer systématiquement que l'alésage central en forme de losange de la lame est aligné avec la butée centrale en forme de losange sur la rondelle de retenue externe.

FIG. 10



REMARQUE : ne pas assumer que l'impression sur la lame vous fera automatiquement face, une fois celle-ci installée correctement.

FIG. 11



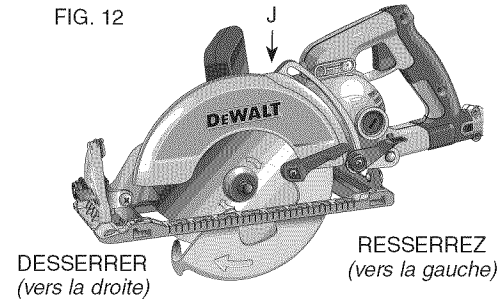
5. Disposez la rondelle de retenue externe (S) sur la broche de scie (U), le côté large et plat contre la lame, et l'impression sur la rondelle de retenue externe vous faisant face, comme illustré en figure 11.
6. Vissez manuellement la vis de serrage de lame (R) sur la broche de scie (la vis possède un filetage vers la gauche et doit être tournée vers la gauche pour être resserrée).
7. Libérez lentement le levier rétractant du carter de lame inférieur (C),
8. Appuyez sur le bouton de blocage de l'arbre (J) tout en tournant la broche de la scie avec la clé de lame fournie, jusqu'à ce que le verrouillage de lame s'enclenche et que la lame cesse de tourner. Resserrez la vis de serrage de lame fermement à l'aide de la clé de lame.

AVIS : ne jamais activer le verrouillage de lame alors que la scie est en marche pour essayer d'arrêter l'outil, ou de le forcer de toute autre manière à s'arrêter. Ne jamais mettre la scie en marche alors que le verrouillage de lame est activé. De sérieux dommages matériels pourraient en résulter.

POUR CHANGER LA LAME (FIG. 10-12)

1. Appuyez sur le bouton de blocage de l'arbre (J) tout en tournant la broche de la scie avec la clé de lame fournie jusqu'à ce que le verrouillage de lame s'enclenche et que la lame cesse de tourner.

FIG. 12



2. À l'aide de la clé à lame fournie à cet effet, desserrez la vis de serrage de lame (R) en la faisant tourner vers la droite comme indiqué par la flèche sur la rondelle de retenue externe (S).
3. Retirez la rondelle de serrage externe (S).
4. À l'aide du levier rétractant du carter de lame inférieur (C), rétractez le carter de lame inférieur. Retirez la lame usagée et jetez-la soigneusement.
5. Installez une lame neuve comme décrit précédemment.
6. Nettoyez la sciure qui aurait pu s'accumuler sur le carter ou la rondelle de fixation. Vérifiez l'état et le fonctionnement du carter de lame inférieur pour s'assurer qu'il est parfaitement opérationnel. Ne lubrifiez pas cette zone.

7. Sélectionnez la lame adaptée à l'application désirée (se reporter à la section **Lames**). Utilisez systématiquement des lames de la bonne taille (diamètre) avec un alésage central de taille et de forme adaptées à la broche de la scie. Assurez-vous systématiquement que la vitesse maximum recommandée (r/min) pour la lame de scie correspond ou excède celle (r/min) de la scie.

CARTER DE LAME INFÉRIEUR

⚠️ AVERTISSEMENT : *le carter de lame inférieur est un dispositif de sécurité destiné à réduire les risques de dommages corporels graves. Ne jamais utiliser la scie sans son carter inférieur, ou s'il est endommagé, mal assemblé ou ne fonctionne pas correctement. Ne pas compter sur le carter de lame inférieur pour vous protéger en toute circonstance. Votre sécurité dépend autant du respect des avertissements et des précautions prises que de l'utilisation correcte de la scie. Vérifier que le carter inférieur est correctement fermé avant chaque utilisation comme décrit dans la section Consignes de sécurité propres à toutes les scies. Si le carter de lame inférieur manque ou ne fonctionne pas correctement, faire vérifier la scie avant toute utilisation. Pour assurer votre sécurité et la fiabilité du produit, toutes les opérations de réparation, d'entretien et de réglage doivent être effectuées dans un centre de service autorisé ou par du personnel qualifié en utilisant systématiquement des pièces de rechange identiques.*

Lames

⚠️ AVERTISSEMENT : *pour réduire tout risque de lésions oculaires, porter systématiquement une protection oculaire. Le carbure est un matériau dur mais cassant. Tout objet étranger dans la pièce à usiner, comme des fils ou des clous, pourrait faire craquer ou casser les dents de scie. Utiliser la scie seulement avec son carter de lame installé de façon adéquate. Installer la lame soigneusement, vérifier sa rotation, sa propreté et son affutage avant toute utilisation.*

⚠️ ATTENTION : *ne pas couper les métaux ferreux (acier), la maçonnerie, le verre, les plaques de maçonnerie ou de ciment, ou les carreaux avec cette scie.*

Ne pas utiliser de meules ou de lames abrasives. Une lame émoussée ralentira la coupe et la rendra inefficace, surchargera le moteur, provoquera des éclats de matériau et augmentera les risques de rebonds. Veuillez vous reporter au tableau suivant pour déterminer la taille correcte de la lame à remplacer pour votre modèle de scie.

DWS535, DWS535T			
Lame	Diamètre	Dents	Utilisation
DW3592B10	184 mm	18	Usage général
DW3578B10	(7-1/4 po)	24	Coupe du bois
DW3576B10	184 mm	36	Coupe du contreplaqué
DW3526	(7-1/4 po)	140	
DW3578B10	184 mm	24	Bois laminés ou bois d'ingénierie
	(7-1/4 po)		

Pour obtenir plus d'informations sur les lames, veuillez appeler le 1-800-4-DEWALT (1-800-433-9258).

Rebonds

Les rebonds sont la conséquence soudaine d'un grippage ou d'une lame mal alignée qui font que la scie rebondit brutalement hors de la pièce à usiner vers l'utilisateur. Lorsque la lame reste pincée ou bloquée dans le trait de scie, elle cale et le moteur en réaction provoque un rebond arrière de l'appareil vers l'utilisateur. S'il y a torsion de la lame ou si elle sort de la ligne de coupe, les dents à l'arrière de la lame pourront se planter à la surface du bois et faire que la lame sorte du trait de scie et rebondisse vers l'utilisateur.

La plupart du temps, les rebonds se produisent dans les conditions suivantes :

1. SUPPORT DE PIÈCE INADÉQUAT

- A. L'affaissement d'une pièce, ou son support inadéquat, provoque le grippage de la lame et, par conséquent, des rebonds (fig. 14).
- B. Le fait de découper un matériau qui n'est soutenu qu'en bordure peut aussi causer des rebonds. Alors que le matériau cède, il s'affaisse, refermant ainsi le trait de scie et pinçant la lame.
- C. Couper une pièce, en porte-à-faux ou débordant, du bas vers le haut, à la verticale, peut causer des rebonds. La partie coupée d'une pièce peut pincer la lame.
- D. Couper des bandes longues et étroites (coupes longitudinales) peut causer des rebonds. La partie découpée peut alors s'affaisser ou se gondoler et refermer le trait de scie et pincer la lame.
- E. Si le carter inférieur s'accroche à la surface sous le matériau à découper, cela réduira momentanément le contrôle de l'utilisateur. La scie se soulèvera partiellement de la coupe et augmentera alors les risques de torsion de la lame.

2. CONFIGURATION DE PROFONDEUR DE COUPE INCORRECTE

Pour effectuer une coupe optimale, la lame ne devrait pas dépasser de plus d'une demie dent, comme illustré en figure 5. Cela permet à la plaque d'assise de soutenir la lame et de minimiser tout grippage ou pinçage du matériau. Se reporter à la section intitulée *Réglage de la profondeur de coupe*.

3. TORSION DE LA LAME (MÉSALIGNEMENT DE COUPE)

- A. Le fait de pousser avec force au travers d'un nœud, un clou ou une zone plus dure, pourra provoquer la torsion de la lame.
- B. Essayer de réorienter la scie dans la coupe (pour la réaligner avec le tracé de coupe) pourra causer la torsion de la lame.

- C. Travailler hors de portée, ou utiliser la scie alors que la position du corps est incorrecte (déséquilibre), pourra causer la torsion de la lame.
- D. Changer la prise de main ou la position du corps en cours de coupe pourra causer la torsion de la lame.
- E. Faire reculer la scie pour dégager la lame pourra aussi causer la torsion de la lame.

4. MATÉRIAUX NÉCESSITANT UNE ATTENTION SPÉCIALE

- A. Bois humides
- B. Bois verts (fraîchement coupés ou pas suffisamment secs)
- C. Bois traités sous pression (matériaux traités avec des produits chimiques de conservation ou antiseptiques)

5. UTILISATION DE LAMES ÉMOUSSÉES OU ENCRASSÉES

Les lames émoussées augmentent les risques de surcharge de la scie. Pour compenser, l'utilisateur pousse en général plus fort, ce qui augmente la surcharge et les risques de torsion de la lame dans le trait de scie. Les lames usagées manquent aussi parfois de corps, ce qui augmente les risques de grippage et de surcharge.

6. SOULEVER LA SCIE PENDANT UNE COUPE EN BISEAU

Les coupes en biseau requièrent une attention spéciale de l'utilisateur au niveau des techniques de coupe, et particulièrement en ce qui concerne le guidage de la scie. L'angle de lame par rapport à la plaque d'assise, et une surface plus grande de lame dans le matériau, augmentent les risques de grippage et de mésalignement (torsion).

7. RECOMMENCER À COUPER ALORS QUE LES DENTS DE SCIES SONT COINCÉES DANS LE MATÉRIAU

La scie doit fonctionner à plein régime avant de commencer toute coupe ou recommencer une coupe après que l'appareil ait été arrêté alors que la lame est restée dans le trait de scie.

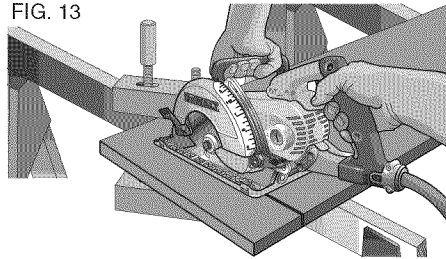
Tout manquement à cette directive comporte des risques de grippages et rebonds.

Toute autre condition pouvant avoir comme résultat le pincement, le grippage, la torsion ou le mésalignement de la lame pourra causer des rebonds. Se reporter aux sections propres aux réglages et à l'utilisation pour les procédures et techniques de minimisation des risques de rebonds.

Support de pièce (Fig. 13-15)

⚠ AVERTISSEMENT : FIG. 13

il est important de soutenir la pièce à usiner correctement et de maintenir la scie fermement pour prévenir toute perte de contrôle et minimiser tout risque de dommages corporels. La figure 13 illustre comment tenir la scie correctement. Maintenir fermement la scie à deux mains et positionner les bras et le corps de façon à pouvoir résister aux rebonds possibles.



La figure 13 illustre la position correcte de sciage. Veuillez remarquer que les mains restent à l'écart de la zone de coupe. **Pour éviter tout rebond**, SUPPORTEZ le panneau de bois PRÈS de la coupe (fig. 14). NE SUPPORTEZ PAS le panneau au-delà de la zone de coupe (fig. 15).

La figure 13 illustre la position correcte de sciage. Veuillez remarquer que les mains restent à l'écart de la zone de coupe. **Pour éviter tout rebond**, SUPPORTEZ le panneau de bois PRÈS de la coupe (fig. 14). NE SUPPORTEZ PAS le panneau au-delà de la zone de coupe (fig. 15).

FIG. 14 **SUPPORTER** le panneau de bois PRÈS de la zone de coupe.

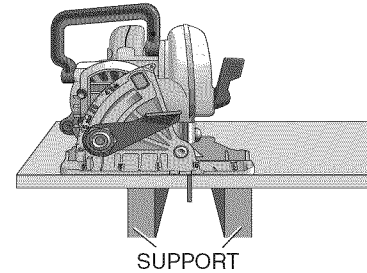
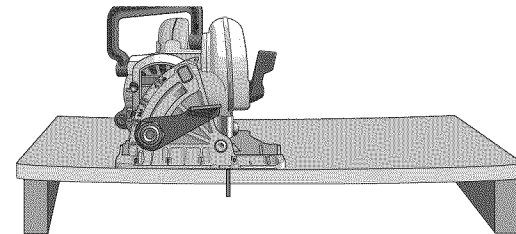


FIG. 15 **NE PAS SUPPORTER** le panneau AU-DELÀ de la zone de coupe.



Disposez la pièce à usiner avec le « bon côté » (celui dont on préfère l'apparence) vers le bas. La scie coupe vers le haut, aussi, si le bois éclate, ce sera au niveau de la surface supérieure.

Coupe

⚠ AVERTISSEMENT : ne jamais utiliser l'outil posé à l'envers sur une surface de travail en alimentant le matériau vers l'outil. Arrimer systématiquement la pièce et au contraire amener l'outil à la pièce, en maintenant solidement l'outil à deux mains, comme illustré en figure 13.

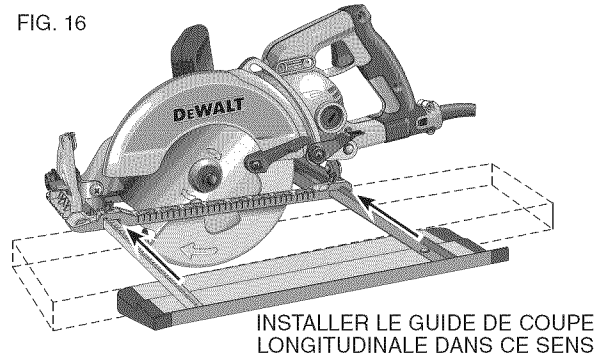
Disposez la partie la plus large de la plaque d'assise de la scie sur la partie du matériau qui est solidement soutenue, et non pas sur la section qui tombera lors de la coupe. La figure 13 illustre la façon CORRECTE de couper. Arrimez systématiquement la pièce à usiner. Ne maintenez jamais les petites pièces à la main ! Rappelez-vous de soutenir tout matériau qui déborde, ou en porte-à-faux. Prenez des précautions supplémentaires pour découper par en dessous.

Assurez-vous que la scie tourne à plein régime avant de mettre la lame en contact avec le matériau à découper. Le fait de démarrer la scie, alors que la lame est en contact avec la pièce à usiner ou dans le trait de scie, comporte des risques de rebonds. Poussez la scie à un rythme régulier pour permettre à la lame de couper sans forcer. La dureté et la résistance peuvent varier au sein d'une même pièce, et des sections humides ou noueuses pourront surcharger la scie. Si c'est le cas, poussez la scie plus lentement, mais assez fort pour continuer à travailler sans pour autant réduire la vitesse. Le fait de forcer la scie causera des coupes grossières et imprécises, ainsi que des rebonds et la surchauffe du moteur. Si la coupe sort de son alignement, n'essayez pas de forcer l'outil pour le réaligner. Relâchez la gâchette et attendez l'arrêt complet de la lame, puis soulevez la scie, réalignez-la et recommencez à couper partiellement dans la mauvaise coupe. Dans tous les cas, retirez la scie pour changer la direction de coupe. Le fait de vouloir corriger la direction de coupe dans le trait de scie lui-même pourra faire caler la scie et entraîner des rebonds.

SI LA SCIE VENAIT À CALER, RELÂCHEZ LA GÂCHETTE PUIS FAITES RECULER LA SCIE POUR LA DÉGAGER. ASSUREZ-VOUS QUE LA LAME EST ALIGNÉE SUR LA COUPE ET AU-DELÀ DU BORD DE COUPE AVANT DE REMETTRE LA SCIE EN MARCHÉ.

En fin de coupe, relâchez la gâchette et laissez la lame s'arrêter complètement avant de soulever la scie du travail. Lorsque vous soulevez la scie, le carter rétractable (à ressort) se refermera automatiquement sur la lame. Rappelez-vous que tant que ceci n'est pas fait, la lame est à nu, aussi ne passez jamais les doigts sous le matériau pour quelque raison que ce soit. Si vous devez rétracter manuellement le carter (comme pour commencer des coupes internes par exemple), utilisez systématiquement le levier rétractant.

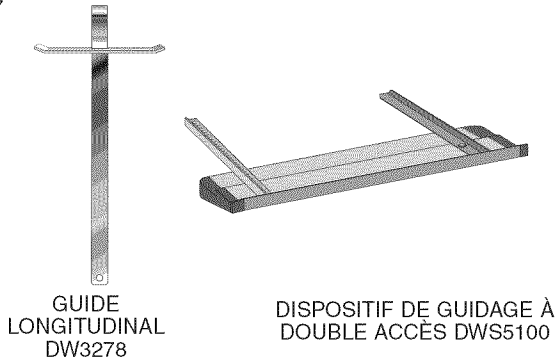
REMARQUE : pour découper des bandes, s'assurer que des petits rebuts ne dépassent pas vers l'intérieur du carter inférieur.



COUPE LONGITUDINALE (FIG. 16)

Une coupe longitudinale consiste à couper de larges panneaux en bandes plus étroites (couper dans le sens du grain). Il est plus difficile de guider manuellement ce genre de coupe, et l'utilisation d'un guide de coupe DEWALT, DW3278, ou d'un dispositif de guidage à double accès, DWS5100, est recommandée (fig. 17).

FIG. 17



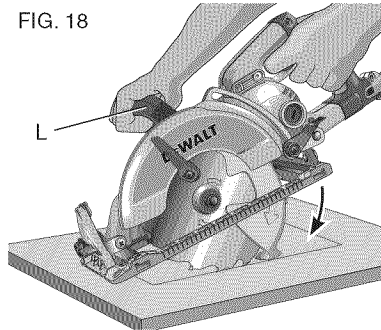
COUPE INTERNE (FIG. 18)

⚠ AVERTISSEMENT : ne jamais bloquer le carter de lame en position haute. Ne jamais déplacer la scie vers l'arrière pendant une coupe interne. Cela pourrait faire sortir la scie de la surface de travail et poser des risques de dommages corporels.

Une coupe interne peut être effectuée sur un sol, un mur ou toute autre surface plane.

1. Réglez la plaque d'assise de la scie de façon à ce que la lame coupe à la profondeur désirée.
2. Inclinez la scie vers l'avant puis posez l'avant de la plaque d'assise sur le matériau à couper.

FIG. 18



3. À l'aide du levier rétractant, rétractez le carter de lame inférieur vers le haut. Abaissez l'arrière de la plaque d'assise jusqu'à ce que les dents de scie touchent légèrement la ligne de coupe.
4. Relâchez le carter de lame (son contact avec la pièce le maintiendra en position pour commencer librement à faire la coupe). Retirez la main du levier de carter et agrippez fermement la poignée auxiliaire (L), comme illustré en figure 18. Positionnez corps et bras de façon à pouvoir résister à tout rebond possible.
5. Avant de démarrer la scie, assurez-vous que la lame n'est pas en contact avec la surface à couper.
6. Démarrez le moteur et abaissez graduellement la scie jusqu'à ce que la plaque d'assise soit à plat sur le matériau à couper. Poussez la scie le long de la ligne de coupe jusqu'à ce que la coupe soit terminée.
7. Relâchez la gâchette et laissez la lame s'arrêter complètement avant de retirer la scie du matériau.
8. Pour commencer toute nouvelle coupe, répétez la procédure ci-dessus.

ENTRETIEN

⚠ AVERTISSEMENT : pour réduire le risque de blessures graves, éteindre l'outil et le débrancher avant d'effectuer tout réglage et d'enlever ou d'installer tout accessoire.

Nettoyage

⚠ AVERTISSEMENT : enlever les saletés et la poussière hors des événements au moyen d'air comprimé propre et sec, au moins une fois par semaine. Pour minimiser le risque de blessure aux yeux, toujours porter une protection oculaire conforme à la norme ANSI Z87.1 lors du nettoyage.

⚠AVERTISSEMENT : ne jamais utiliser de solvants ni d'autres produits chimiques puissants pour nettoyer les pièces non métalliques de l'outil. Ces produits chimiques peuvent affaiblir les matériaux de plastique utilisés dans ces pièces. Utiliser un chiffon humecté uniquement d'eau et de savon doux. Ne jamais laisser de liquide pénétrer dans l'outil et n'immerger aucune partie de l'outil dans un liquide.

Lubrification

Les roulements à billes ou à rouleaux internes de l'outil sont autolubrifiés, de sorte qu'on n'a pas besoin de les lubrifier soi-même. On recommande cependant d'ér l'outil à un centre de service autorisé au moins une fois par année aux fins d'un entretien complet (nettoyage, inspection et lubrification) du carter d'engrenage.

VÉRIFICATION DE L'HUILE

⚠AVERTISSEMENT : surfaces brûlantes. Risques de brûlures. Le moteur et les parties adjacentes sont brûlants. Éviter tout contact. Laisser le moteur refroidir avant tout entretien.

⚠AVERTISSEMENT : attention, l'huile du moteur peut être chaude. Tout contact avec l'huile chaude pose des risques de dommages corporels.

AVIS : s'assurer qu'il y a de l'huile dans le moteur de la scie avant toute utilisation pour éviter tout dommage matériel.

REMARQUE : l'huile du moteur contient des substances qui sont réglementées, et doit être mise au rebut conformément à la législation locale, fédérale, provinciale ou nationale.

1. Posez la scie sur une surface plane et stable de façon à ce que le plateau de scie soit au raz de cette surface.
2. À l'aide de la clé fournie à cet effet, tournez le bouchon de l'huile vers la gauche pour le retirer.

3. À cause du réglage, même si la quantité d'huile dans le carter de moteur est suffisante, il se pourra qu'elle ne soit pas visible dans le trou de remplissage.
 - a. Alors que l'outil est à l'arrêt, et débranché du secteur, faites tourner la lame et regardez dans le trou de remplissage d'huile.
 - b. Si l'huile n'est pas visible alors que l'engrenage tourne, il faudra en rajouter.
4. Pour ce, ajouter lentement de l'huile d'engrenage 85W-140, ou son équivalent, jusqu'au premier tour de filetage inférieur du trou. L'huile d'engrenage 85W-140, ou son équivalent, est disponible chez votre centre local de réparation DEWALT.

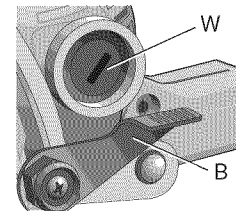
REMARQUE : pour ajouter de l'huile, la verser très lentement. Si l'huile est ajoutée trop rapidement, elle pourrait déborder.
5. Remettez le bouchon de l'huile puis resserrez soigneusement.
6. Mettez l'huile au rebut conformément à la législation locale, fédérale et nationale en vigueur.

Balais (Fig. 19)

Inspectez les balais de charbon régulièrement en débranchant la scie, et en retirant l'embout (W) situé au-dessus du levier de réglage de profondeur (B) puis en retirant le module balais. Maintenez les balais propres et vérifiez qu'ils glissent librement dans leurs supports. Réinstallez systématiquement un nouveau balai dans son support en suivant la même orientation que celle de l'ancien balai.

Les balais de charbon comportent des symboles variés imprimés sur leurs côtés, et si l'un ou l'autre balai est usé au niveau de la ligne la plus proche du ressort, ils doivent être remplacés. N'utilisez que des

FIG. 19



balais de rechange DEWALT identiques. Des modules de balais sont à votre disposition chez votre dépositaire local. Remplacez systématiquement l'embout après l'inspection ou l'entretien des balais. Pour installer de nouveaux balais et avant toute utilisation, faites tourner l'outil à vide cinq minutes (à vide et sans lame). **NE PAS ATTACHER, COLLER OU VERROUILLER LA GÂCHETTE EN POSITION DE MARCHE en « marche à vide ». LA MAINTENIR MANUELLEMENT SEULEMENT.**

Accessoires

⚠AVERTISSEMENT : *puisque les accessoires autres que ceux offerts par DEWALT n'ont pas été testés avec ce produit, leur utilisation pourrait s'avérer dangereuse. Pour réduire le risque de blessures, utiliser exclusivement les accessoires DEWALT recommandés avec le présent produit.*

Les accessoires recommandés pour cet outil sont vendus séparément au centre de service de votre région. Pour obtenir de l'aide concernant l'achat d'un accessoire, communiquer avec DEWALT Industrial Tool Co., 701 East Joppa Road, Baltimore, MD 21286 aux États-Unis; composer le 1 (800) 4-DEWALT (1-800-433-9258) ou visiter notre site Web www.dewalt.com.

Réparations

Pour assurer la SÉCURITÉ et la FIABILITÉ du produit, les réparations, l'entretien et les réglages doivent être réalisés (cela comprend l'inspection et le remplacement du balai) par un centre de réparation en usine DEWALT, un centre de réparation agréé DEWALT ou par d'autres techniciens qualifiés. Toujours utiliser des pièces de rechange identiques.

Garantie limitée trois ans

DEWALT réparera gratuitement tous les problèmes dus à des défauts de matériau ou de fabrication pendant trois ans à compter de la date d'achat. Cette garantie ne couvre pas des défaillances de pièce dues à une usure normale ou à une mauvaise utilisation de l'outil. Pour plus de détails relatifs à la couverture de la garantie et aux réparations sous garantie, visiter le site Web www.dewalt.com ou composer le 1 (800) 4-DEWALT (1 (800) 433-9258). Cette garantie ne s'applique pas aux accessoires ni aux dommages causés par des réparations réalisées ou tentées par des tiers. Cette garantie vous accorde des droits légaux spécifiques et il est possible que vous ayez d'autres droits qui varient d'un État ou d'une province à l'autre.

En plus de la garantie, les outils DEWALT sont couverts par notre :

SERVICE D'ENTRETIEN GRATUIT DE 1 AN

DEWALT entretiendra l'outil et remplacera les pièces usées par une utilisation normale et ce, gratuitement, à tout instant pendant la première année à compter de la date d'achat.

GARANTIE DE REMBOURSEMENT DE 90 JOURS

Si vous n'êtes pas entièrement satisfait des performances de votre outil électrique, laser ou de votre cloueuse DEWALT pour quelque raison que ce soit, vous pouvez le retourner accompagné d'un reçu dans les 90 jours suivant la date d'achat et nous vous rembourserons entièrement – sans poser de questions.

AMÉRIQUE LATINE : cette garantie ne s'applique pas aux produits vendus en Amérique latine. Pour ceux-ci, veuillez consulter les informations relatives à la garantie spécifique présente dans l'emballage, appeler l'entreprise locale ou consulter le site Web pour les informations relatives à cette garantie.

REPLACEMENT GRATUIT DES ÉTIQUETTES D'AVERTISSEMENT : si les étiquettes d'avertissement deviennent illisibles ou sont manquantes, composer le 1 (800) 4-DEWALT pour en obtenir le remplacement gratuit.

DWS535 7-1/4" (184mm) WORM DRIVE CIRCULAR SAW

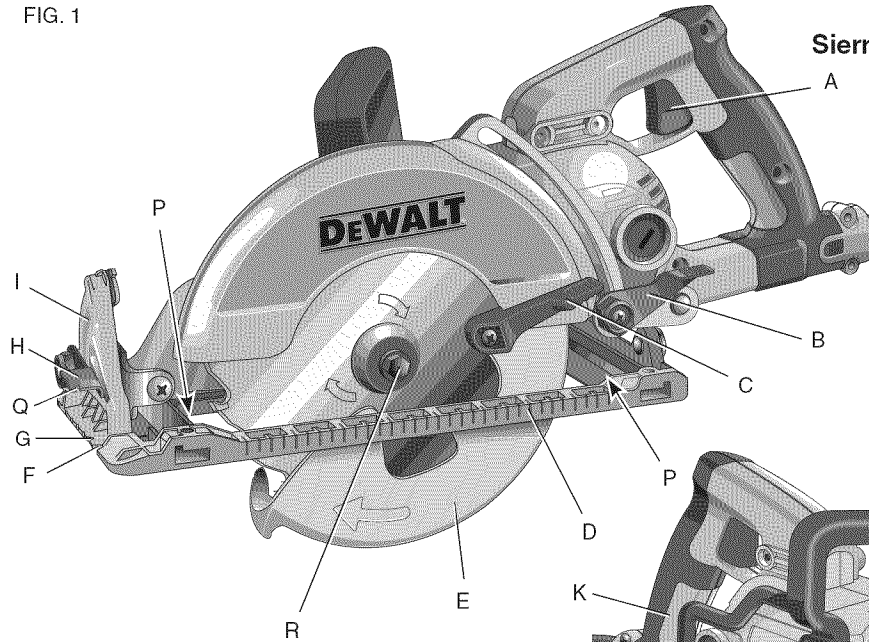
⚠ DANGER/PELIGRO KEEP HANDS AND BODY AWAY FROM AND TO THE SIDE OF THE BLADE. CONTACT WITH BLADE WILL RESULT IN SERIOUS INJURY. MANTENGA LAS MANOS Y EL CUERPO ALEJADOS Y HACIA EL COSTADO DEL DISCO. CUALQUIER CONTACTO CON EL DISCO PUEDE RESULTAR EN LESIONES SERIAS. ELONGER LES MAINS ET E CORPS DU DEVAANT DE LA LAME ET LES LAISSER SUR LE CÔTE DE CELLE-CI. LE CONTACT AVEC LA LAME CAUSE DE GRAVES BLESSURES.

⚠ WARNING/ADVERTENCIA/AVERTISSEMENT
TO REDUCE THE RISK OF INJURY, USER MUST READ INSTRUCTION MANUAL. CHECK GUARDING SYSTEM. IT MUST COVER THE BLADE INSTANTLY! HOLD SAW WITH BOTH HANDS. SUPPORT AND CLAMP WORK. WEAR EYE PROTECTION. ALWAYS USE PROPER RESPIRATORY PROTECTION.
PARA DISMINUIR EL RIESGO DE LESIONES, EL USUARIO DEBERÁ LEER EL MANUAL DE INSTRUCCIONES, REVISAR EL SISTEMA DE PROTECCIÓN, DEBERÁ CUBRIR LA HOJA INSTANTANEAMENTE! SOSTENGA LA SIERRA CON AMBAS MANOS, TRABAJO DE LA AYUDA Y DE LA ABRACADERA. SIEMPRE SE DEBERÁ LLEVAR LA PROTECCIÓN APROPIADA PARA LA VISTA Y PARA LAS VIAS RESPIRATORIAS. AFÍN DE MINIMISER LES RIESGOS DE BLESSURES, L'UTILISATEUR DOIT LIRE LE GUIDE D'UTILISATION, VÉRIFIER LE BON FONCTIONNEMENT DU DISPOSITIF DE PROTECTION. IL DOIT POUVOIR RECOURVIR LA LAME INSTANTANÉMENT ! TENIR LA SCIE DES DEUX MAINS, SOUTENIR ET FIXER LA PIÈCE À OUVREIR. IL FAUT TOUJOURS PORTER DE L'ÉQUIPEMENT DE PROTECTION OCULAIRE ET RESPIRATOIRE APPROPRIÉ.

DEWALT INDUSTRIAL TOOL CO., BASTIA, MD 21286 USA
FOR SERVICE INFORMATION CALL 1-800-4-DEWALT www.DEWALT.com

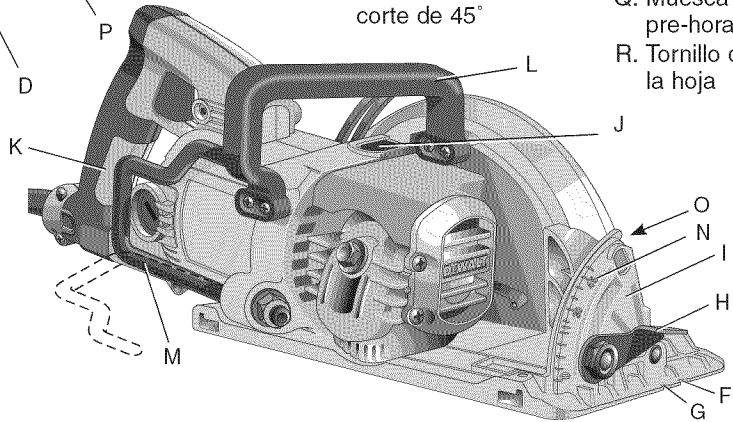
Français

FIG. 1



DWS535, DWS535T
Sierra de 184 mm (7-1/4 pulg.) con impulsor sinfín

- | | |
|---|------------------------------------|
| A. Interruptor de gatillo | H. Palanca de ajuste del bisel |
| B. Palanca de bloqueo del ajuste de la profundidad | I. Cartabón angular |
| C. Palanca retractora del protector inferior de la hoja | J. Botón de bloqueo del eje |
| D. Plataforma | K. Mango principal |
| E. Protector inferior de la hoja | L. Mango auxiliar |
| F. Indicador de línea de corte de 0° | M. Gancho de la sierra |
| G. Indicador de línea de corte de 45° | N. Ajuste grueso |
| | O. Ajuste fino |
| | P. Indicadores de línea de corte |
| | Q. Muesca de orificio pre-horadado |
| | R. Tornillo de sujeción de la hoja |



Español

Definiciones: Normas de seguridad

Las siguientes definiciones describen el nivel de gravedad de cada palabra de señal. Lea el manual y preste atención a estos símbolos.

▲PELIGRO: indica una situación de peligro inminente que, si no se evita, provocará **la muerte o lesiones graves**.

▲ADVERTENCIA: indica una situación de peligro potencial que, si no se evita, **podría provocar la muerte o lesiones graves**.

▲ATENCIÓN: indica una situación de peligro potencial que, si no se evita, **posiblemente provocaría lesiones leves o moderadas**.

AVISO: se refiere a una práctica **no relacionada a lesiones corporales** que de no evitarse **puede resultar en daños a la propiedad**.

SI TIENE ALGUNA DUDA O ALGÚN COMENTARIO SOBRE ÉSTA U OTRA HERRAMIENTA DEWALT, LLÁMENOS AL NÚMERO GRATUITO: 1-800-4-DEWALT (1-800-433-9258).



¡ADVERTENCIA! Lea todas las advertencias de seguridad e instrucciones. El incumplimiento de las advertencias e instrucciones puede provocar descargas eléctricas, incendios o lesiones graves.

Advertencias generales de seguridad para herramientas eléctricas



¡ADVERTENCIA! Lea todas las advertencias de seguridad e instrucciones. El incumplimiento de las advertencias e

instrucciones puede provocar descargas eléctricas, incendios o lesiones graves.

CONSERVE TODAS LAS ADVERTENCIAS E INSTRUCCIONES PARA FUTURAS CONSULTAS

El término "herramienta eléctrica" incluido en las advertencias hace referencia a las herramientas eléctricas operadas con corriente (con cable eléctrico) o a las herramientas eléctricas operadas con baterías (inalámbricas).

1) SEGURIDAD EN EL ÁREA DE TRABAJO

- Mantenga el área de trabajo limpia y bien iluminada.** Las áreas abarrotadas y oscuras propician accidentes.
- No opere las herramientas eléctricas en atmósferas explosivas, como ambientes donde haya polvo, gases o líquidos inflamables.** Las herramientas eléctricas originan chispas que pueden encender el polvo o los vapores.
- Mantenga alejados a los niños y a los espectadores de la herramienta eléctrica en funcionamiento.** Las distracciones pueden provocar la pérdida de control.

2) SEGURIDAD ELÉCTRICA

- Los enchufes de la herramienta eléctrica deben adaptarse al tomacorriente. Nunca modifique el enchufe de ninguna manera. No utilice ningún enchufe adaptador con herramientas eléctricas con conexión a tierra.** Los enchufes no modificados y que se adaptan a los tomacorrientes reducirán el riesgo de descarga eléctrica.
- Evite el contacto corporal con superficies con descargas a tierra como, por ejemplo, tuberías, radiadores, cocinas eléctricas y refrigeradores.** Existe mayor riesgo de descarga eléctrica si su cuerpo está puesto a tierra.

- c) **No exponga las herramientas eléctricas a la lluvia o a condiciones de humedad.** Si entra agua a una herramienta eléctrica, aumentará el riesgo de descarga eléctrica.
- d) **No maltrate el cable. Nunca utilice el cable para transportar, tirar o desenchufar la herramienta eléctrica. Mantenga el cable alejado del calor, el aceite, los bordes filosos y las piezas móviles.** Los cables dañados o enredados aumentan el riesgo de descarga eléctrica.
- e) **Al operar una herramienta eléctrica en el exterior, utilice un cable prolongador adecuado para tal uso.** Utilice un cable adecuado para uso en exteriores a fin de reducir el riesgo de descarga eléctrica.
- f) **Si el uso de una herramienta eléctrica en un lugar húmedo es imposible de evitar, utilice un suministro protegido con un interruptor de circuito por falla a tierra (GFCI).** El uso de un GFCI reduce el riesgo de descargas eléctricas.

3) SEGURIDAD PERSONAL

- a) **Permanezca alerta, controle lo que está haciendo y utilice el sentido común cuando emplee una herramienta eléctrica. No utilice una herramienta eléctrica si está cansado o bajo el efecto de drogas, alcohol o medicamentos.** Un momento de descuido mientras se opera una herramienta eléctrica puede provocar lesiones personales graves.
- b) **Utilice equipos de protección personal. Siempre utilice protección para los ojos.** En las condiciones adecuadas, el uso de equipos de protección, como máscaras para polvo, calzado de seguridad antideslizante, cascos o protección auditiva, reducirá las lesiones personales.
- c) **Evite el encendido por accidente. Asegúrese de que el interruptor esté en la posición de apagado antes de conectarlo a la fuente de energía o paquete de baterías, o antes de levantar o transportar la herramienta.** Transportar herramientas eléctricas con el dedo apoyado en el interruptor

o enchufar herramientas eléctricas con el interruptor en la posición de encendido puede propiciar accidentes.

- d) **Retire la clavija de ajuste o la llave de tuercas antes de encender la herramienta eléctrica.** Una llave de tuercas o una clavija de ajuste que quede conectada a una pieza giratoria de la herramienta eléctrica puede provocar lesiones personales.
 - e) **No se estire. Conserve el equilibrio y párese adecuadamente en todo momento.** Esto permite un mejor control de la herramienta eléctrica en situaciones inesperadas.
 - f) **Use la vestimenta adecuada. No use ropas holgadas ni joyas. Mantenga el cabello, la ropa y los guantes alejados de las piezas en movimiento.** Las ropas holgadas, las joyas o el cabello largo pueden quedar atrapados en las piezas en movimiento.
 - g) **Si se suministran dispositivos para la conexión de accesorios con fines de recolección y extracción de polvo, asegúrese de que estén conectados y que se utilicen correctamente.** El uso de dispositivos de recolección de polvo puede reducir los peligros relacionados con el polvo.
- ### 4) USO Y MANTENIMIENTO DE LA HERRAMIENTA ELÉCTRICA
- a) **No fuerce la herramienta eléctrica. Utilice la herramienta eléctrica correcta para el trabajo que realizará.** Si se la utiliza a la velocidad para la que fue diseñada, la herramienta eléctrica correcta permite trabajar mejor y de manera más segura.
 - b) **No utilice la herramienta eléctrica si no puede encenderla o apagarla con el interruptor.** Toda herramienta eléctrica que no pueda ser controlada mediante el interruptor es peligrosa y debe repararse.

- c) **Desconecte el enchufe de la fuente de energía o el paquete de baterías de la herramienta eléctrica antes de realizar ajustes, cambiar accesorios o almacenar la herramienta eléctrica.** Estas medidas de seguridad preventivas reducen el riesgo de encender la herramienta eléctrica en forma accidental.
- d) **Guarde la herramienta eléctrica que no esté en uso fuera del alcance de los niños y no permita que otras personas no familiarizadas con ella o con estas instrucciones operen la herramienta.** Las herramientas eléctricas son peligrosas si son operadas por usuarios no capacitados.
- e) **Realice el mantenimiento de las herramientas eléctricas. Revise que no haya piezas en movimiento mal alineadas o trabadas, piezas rotas o cualquier otra situación que pueda afectar el funcionamiento de la herramienta eléctrica. Si encuentra daños, haga reparar la herramienta eléctrica antes de utilizarla.** Se producen muchos accidentes a causa de las herramientas eléctricas que carecen de un mantenimiento adecuado.
- f) **Mantenga las herramientas de corte afiladas y limpias.** Las herramientas de corte con mantenimiento adecuado y con los bordes de corte afilados son menos propensas a trabarse y son más fáciles de controlar.
- g) **Utilice la herramienta eléctrica, los accesorios y las brocas de la herramienta, etc. de acuerdo con estas instrucciones y teniendo en cuenta las condiciones de trabajo y el trabajo que debe realizarse.** El uso de la herramienta eléctrica para operaciones diferentes de aquéllas para las que fue diseñada podría originar una situación peligrosa.

5) MANTENIMIENTO

- a) **Solicite a una persona calificada en reparaciones que realice el mantenimiento de su herramienta eléctrica y que sólo utilice piezas de repuesto idénticas.** Esto garantizará la seguridad de la herramienta eléctrica.

Instrucciones de seguridad para todas las sierras

⚠ PELIGRO:

- a) **Mantenga las manos alejadas del área de corte y de la hoja. Mantenga la segunda mano en el mango auxiliar o en la carcasa del motor.** Si las dos manos están sujetando la sierra, no pueden ser cortadas por la hoja.
- b) **No ponga las manos debajo de la pieza de trabajo.** El protector no puede protegerle de la hoja debajo de la pieza de trabajo.
- c) **Ajuste la profundidad de corte al grosor de la pieza de trabajo.** Menos de un diente completo de los dientes de la hoja debe ser visible debajo de la pieza de trabajo.
- d) **No sujete nunca la pieza que esté cortando en las manos o atravesada sobre una pierna. Sujete firmemente la pieza de trabajo a una plataforma estable.** Es importante soportar apropiadamente la pieza de trabajo para minimizar la exposición del cuerpo, el atasco de la hoja o la pérdida de control.
- e) **Sujete la herramienta mecánica por las superficies de agarre con aislamiento cuando realice una operación en la que la herramienta de corte podría entrar en contacto con cables ocultos o con su propio cable de alimentación.** El contacto con un cable "con corriente" hará que las partes metálicas de la herramienta mecánica que estén al descubierto también "lleven corriente", lo cual causará descargas al operador.

- f) **Cuando corte al hilo, utilice siempre un tope-guía para cortar al hilo o una guía de borde recto.** Esto mejora la precisión del corte y reduce las probabilidades de que la hoja se atasque.
- g) **Utilice siempre hojas que tengan el tamaño correcto y la forma correcta (de diamante frente a redonda) de agujeros para el eje portaherramienta.** Las hojas que no coincidan con los herrajes de montaje de la sierra funcionarán excéntricamente, causando pérdida de control.
- h) **No use nunca arandelas de hoja o un perno de hoja que estén dañados o sean incorrectos.** Las arandelas y el perno de la hoja se diseñaron especialmente para su sierra, con el fin de lograr un rendimiento óptimo y una seguridad óptima de funcionamiento.

CAUSAS DEL RETROCESO Y SU PREVENCIÓN POR EL OPERADOR:

- El retroceso es una reacción repentina a una hoja de sierra pellizcada, atascada o desalineada, que hace que una sierra descontrolada se levante y se salga de la pieza de trabajo, hacia el operador.
- Cuando la hoja se pellizca o se atasca fuertemente al cerrarse la sección de corte, la hoja se para y la reacción del motor impulsa la unidad rápidamente hacia atrás, hacia el operador.
- Si la hoja se tuerce o se desalinea en el corte, los dientes ubicados en el borde trasero de la hoja pueden penetrar en la superficie superior de la madera, haciendo que la hoja trepe, se salga de la sección de corte y salte hacia atrás, hacia el operador.

El retroceso es el resultado de un uso inapropiado de la sierra y/o de procedimientos o situaciones de utilización incorrectos y se puede evitar tomando las precauciones apropiadas que se indican a continuación:

- a) **Mantenga un agarre firme con las dos manos en la sierra y posicione los brazos de modo que puedan resistir las fuerzas de retroceso.** Las fuerzas de retroceso pueden ser controladas por el operador, si se toman las precauciones adecuadas.
- b) **Cuando la hoja se esté atascando o cuando se interrumpa un corte por cualquier motivo, suelte el gatillo y sujete la sierra de modo que esté inmóvil en el material hasta que la hoja se detenga por completo. No intente nunca retirar la sierra de la pieza de trabajo ni tirar de la sierra hacia atrás mientras la hoja esté en movimiento o se podría producir retroceso.** Investigue y tome medidas correctivas para eliminar la causa de atasco de la hoja.
- c) **Cuando re arranque una sierra en la pieza de trabajo, centre la hoja de sierra en la sección de corte y asegúrese de que los dientes de la hoja de sierra no estén acoplados en el material.** Si la hoja de sierra se está atascando, podría desplazarse o experimentar retroceso respecto a la pieza de trabajo cuando se arranque la sierra.
- d) **Soporte los paneles grandes para minimizar el riesgo de que la hoja se pellizque y se produzca retroceso.** Los paneles grandes tienden a combarse bajo su propio peso. Se deben colocar soportes debajo del panel a ambos lados, cerca de la línea de corte y cerca del borde del panel.
- e) **No use hojas desafiladas o dañadas.** Las hojas desafiladas o con triscado inapropiado producen una sección de corte estrecha que causa fricción excesiva, atasco de la hoja y retroceso.

- f) **Las palancas de fijación de ajuste de la profundidad y del bisel de la hoja deben estar apretadas y sujetas firmemente antes de realizar el corte.** Si el ajuste de la hoja cambia mientras se realiza el corte, dicho cambio podría causar atasco y retroceso.
- g) **Tenga precaución adicional cuando haga un "corte por penetración" en paredes existentes u otras áreas ciegas.** La hoja que sobresale podría cortar objetos que pueden causar retroceso.

INSTRUCCIONES DE SEGURIDAD PARA EL PROTECTOR INFERIOR

- a) **Compruebe el protector inferior para verificar si se cierra apropiadamente antes de cada uso. No utilice la sierra si el protector inferior no se mueve libremente y no se cierra instantáneamente. No sujete nunca con abrazaderas ni amarre el protector inferior en la posición abierta.** Si la sierra se cae accidentalmente, el protector inferior se podría doblar. Suba el protector inferior con el mango retráctil y asegúrese de que se mueve libremente y no toca la hoja ni ninguna otra pieza, en todos los ángulos y profundidades de corte.
- b) **Compruebe el funcionamiento del resorte del protector inferior. Si el protector y el resorte no están funcionando correctamente, se les debe hacer servicio de ajustes y reparaciones antes de la utilización.** El protector inferior podría funcionar con dificultad debido a que haya piezas dañadas, depósitos gomosos o una acumulación de residuos.
- c) **El protector inferior se debe retraer manualmente sólo para realizar cortes especiales, tales como "cortes por penetración" y "cortes compuestos". Suba el protector inferior por el mango retráctil y, en cuanto la hoja entre en**

el material, se debe soltar el protector inferior. Para todas las demás operaciones de aserrado, el protector inferior debe funcionar automáticamente.

- d) **Asegúrese siempre de que el protector inferior esté cubriendo la hoja antes de dejar la sierra en un banco de trabajo o en el piso.** Una hoja que se esté moviendo por inercia hasta detenerse y no esté protegida hará que la sierra se desplace hacia atrás, cortando todo aquello que esté en su camino. Tenga en cuenta el tiempo que se requiere para que la hoja se detenga después de soltar el interruptor.

Instrucciones adicionales de seguridad

- **Use abrazaderas u otra manera práctica de fijar y sujetar la pieza de trabajo a una plataforma estable.** El sujetar la pieza con la mano o contra su cuerpo la vuelve inestable y puede dar como resultado el que pierda el control.
- **Mantenga su cuerpo colocado a cualquier lado de la hoja, pero no en línea con la hoja de la sierra.** El REBOTE podría causar que la sierra saltara hacia atrás (véase **Causas y prevención por parte del operador del rebote y REBOTE**).
- **Evite cortar clavos. Busque y retire todos los clavos de la madera antes de cortar.**
- **Siempre cerciórese de que nada interfiera con el movimiento del protector inferior de la hoja.**
- **Los accesorios deben ser especificados como mínimo para la velocidad recomendada en la etiqueta de advertencia de la herramienta.** Si funcionan a velocidades superiores a la prevista, los discos y otros accesorios pueden saltar y provocar lesiones. La clasificación de los accesorios debe estar siempre por encima de la velocidad de la herramienta, como se muestra en la placa de características de ésta.

- Asegúrese siempre de que la sierra esté limpia antes de utilizarla.
- Si se presenta cualquier ruido desacostumbrado o funcionamiento anormal, deje de utilizar esta sierra y hágala reparar en forma apropiada.
- Asegúrese siempre que todas las piezas estén debida y firmemente montadas antes de utilizar la herramienta.
- Siempre maneje con cuidado la hoja de la sierra al montarla o retirarla, o al remover el orificio pre-horadado con forma de diamante.
- Espere siempre a que el motor haya alcanzado su velocidad completa antes de iniciar un corte.
- Mantenga las agarraderas siempre secas, limpias y libres de aceite y grasa. Sostenga la herramienta firmemente con ambos manos cuando la esté utilizando.
- Esté alerta en todo momento, especialmente durante operaciones repetitivas y monótonas. Esté siempre seguro de la posición de sus manos en relación a la hoja.
- Manténgase alejado de los extremos que pudieran caerse una vez que sean cortados. Pueden estar calientes o ser afilados y/o pesados. Puede resultar en lesiones corporales serias.
- Reemplace o repare los cables dañados. Cerciórese de que su extensión esté en buenas condiciones. Utilice solamente cables de extensión de 3 alambres que tengan clavijas del tipo de puesta a tierra y enchufes de 3 polos que acepten la clavija de la herramienta.
- **Los hilos del alargador deben ser de un calibre apropiado (AWG o American Wire Gauge) para su seguridad.** Mientras menor sea el calibre del hilo, mayor la capacidad del cable. Es decir, un hilo calibre 16 tiene mayor capacidad que uno de 18.

Un cable de un calibre insuficiente causará una caída en la tensión de la línea dando por resultado una pérdida de energía y sobrecalentamiento. Cuando se utilice más de un alargador para completar el largo total, asegúrese que los hilos de cada alargador tengan el calibre mínimo. La tabla siguiente muestra el tamaño correcto a utilizar, dependiendo de la longitud del cable y del amperaje nominal de la placa de identificación. Si tiene dudas sobre cuál calibre usar, use un calibre mayor. Cuanto más pequeño sea el número del calibre, más resistente será el cable.

Calibre mínimo para juegos de cables						
Capacidad nominal en amperios	Voltios		Largo total del cable en metros (en pies)			
	120V	240V	7,6 (25)	15,2 (50)	30,5 (100)	45,7 (150)
Desde Hasta		AWG				
0	6		18	16	14	12
6	10		18	16	14	12
10	12		16	16	14	12
12	16		14	12	No recomendado	

ATENCIÓN: Las hojas giran por inercia después del apagado. Puede resultar en lesiones corporales serias.

⚠️ ADVERTENCIA: SIEMPRE lleve la debida protección auditiva personal en conformidad con ANSI S12.6 (S3.19) durante el uso de esta herramienta. Bajo algunas condiciones y duraciones de uso, el ruido producido por este producto puede contribuir a la pérdida auditiva.

⚠️ ADVERTENCIA: SIEMPRE use protección ocular. Todos los usuarios y personas circunstantes deben llevar protección ocular en conformidad con ANSI Z87.1.

⚠️ ADVERTENCIA: Use SIEMPRE lentes de seguridad. Los anteojos de diario NO SON lentes de seguridad. Utilice además una máscara para la cara o guardapolvo si la operación de corte

genera demasiado polvo. SIEMPRE LLEVE EQUIPO DE SEGURIDAD CERTIFICADO:

- Protección ocular ANSI Z87.1 (CAN/CSA Z94.3),
- Protección auditiva ANSI S12.6 (S3.19),
- Protección respiratoria NIOSH/OSHA/MSHA.

⚠ADVERTENCIA: Parte del polvo generado al lijar, serrar, esmerilar o taladrar, así como al realizar otras actividades del sector de la construcción, contienen productos químicos que pueden producir cáncer, defectos congénitos u otras afecciones reproductivas. Algunos ejemplos de estos químicos son:

- plomo procedente de pinturas basadas en plomo,
- óxido de silicio cristalino procedente de ladrillos, cemento y otros productos de mampostería, y
- arsénico o cromo procedente de madera tratada químicamente.

Su riesgo de exposición a estos químicos varía, dependiendo de la frecuencia con la cual realiza usted este tipo de trabajo. Para reducir su exposición a estos químicos, trabaje en un lugar con buena ventilación y trabaje con equipo de seguridad aprobado, como máscaras antipolvo especialmente diseñadas para filtrar partículas microscópicas.

- Evite el contacto prolongado con polvo generado por el lijado, serruchado, pulido y taladrado mecánico y otras actividades de construcción. Vista ropas protectoras y lave las áreas de la piel expuestas con agua y jabón. Si permite que el polvo se introduzca en la boca u ojos o quede sobre la piel, puede favorecer la absorción de productos químicos peligrosos.

⚠ADVERTENCIA: La utilización de esta herramienta puede generar polvo o dispersarlo, lo que podría causar daños graves y permanentes al sistema respiratorio, así como otras lesiones. Siempre use protección respiratoria aprobada por NIOSH

(Instituto Nacional de Seguridad y Salud en el Trabajo) u OSHA (Administración de Seguridad y Salud en el Trabajo) apropiada para la exposición al polvo. Dirija las partículas en dirección contraria a la cara y el cuerpo.

- La etiqueta de su herramienta puede incluir los siguientes símbolos. Los símbolos y sus definiciones son los siguientes:

V..... voltios	A..... amperios
Hz..... hertz	W..... vatios
min minutos	~ corriente alterna
== corriente directa	~ corriente alterna o directa
⚠ Construcción Clase I (con conexión a tierra)	n _o velocidad sin carga
⊠ Construcción Clase II (con aislamiento doble)	⊕ terminal a tierra
⚠ símbolo de alerta de seguridad	.../min..... por minuto
BPM..... golpes por minuto	RPM revoluciones o reciprocidad por minuto
IPM..... impactos por minuto	

GUARDE ESTAS INSTRUCCIONES PARA VOLVER A CONSULTAR EN EL FUTURO

COMPONENTES (FIG. 1)

⚠ADVERTENCIA: Nunca modifique la herramienta eléctrica, ni tampoco ninguna de sus piezas. Podría producir lesiones corporales.

Refiérase a la Figura 1 para observar los componentes de la sierra.

USO DEBIDO

Estas sierras circulares para trabajo pesado están diseñadas para aplicaciones profesionales de corte de madera. **NO** utilice aditamentos con alimentación de agua con esta sierra. **NO** utilice discos u hojas abrasivos. **NO** utilice la herramienta en condiciones de humedad o en presencia de líquidos o gases inflamables.

Estas sierras para trabajo pesado son herramientas eléctricas profesionales. **NO** permita que los niños toquen la herramienta. Si el operador no tiene experiencia operando esta herramienta, su uso deberá ser supervisado.

Gancho de la sierra (Fig. 2)

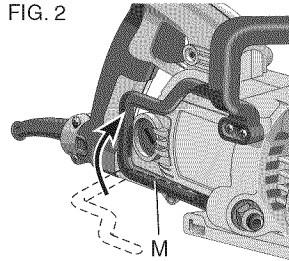
▲ADVERTENCIA: Para reducir el riesgo de lesiones personales graves, no utilice la sierra con el gancho de la sierra girado debajo de la plataforma.

▲ADVERTENCIA: Para reducir el riesgo de lesión debida a caída de la sierra sobre los operadores o transeúntes, cerciórese de que la sierra esté apoyada con seguridad al utilizar el gancho para colgar la sierra de una viga, vigueta u otro soporte elevado.

Su sierra dispone de un práctico gancho de la sierra que permite que la sierra sea colgada de una vigueta, viga o de otra estructura adecuada. Este gancho de la sierra se pliega en forma plana contra la carcasa de la herramienta cuando no está en uso.

Para utilizar el gancho de la sierra, empuje sobre el gancho para girarlo lejos del mango hasta que enganche en posición.

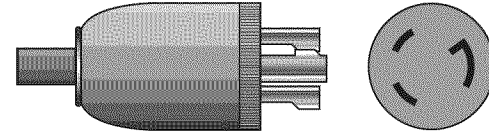
FIG. 2



Para devolver el gancho de la sierra a su posición de almacenamiento, hale el gancho hasta que enganche contra la carcasa de la herramienta.

Conector con cierre de torsión (DWS535T)

FIG. 3



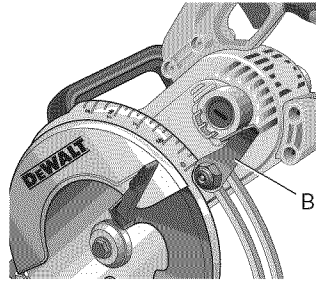
La DWS535T está provista con un conector con cierre de torsión como lo muestra la Figura 3. Esto evita que el cordón se desconecte si es halado accidentalmente. Enchufe el conector con cierre de torsión únicamente en un cordón de extensión con un conector hembra.

Ajuste de la profundidad del corte (Fig. 1, 4, 5)

1. Sostenga la sierra firmemente. Levante la palanca de bloqueo del ajuste de la profundidad (B) a fin de mover la plataforma para obtener la profundidad deseada.
2. Haga descender la palanca de bloqueo del ajuste de la profundidad y apriete firmemente para bloquear la profundidad de corte antes de operar la sierra.

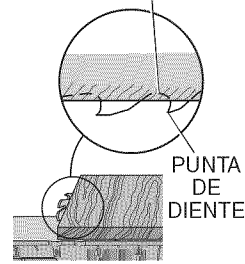
La longitud de las marcas de corte sobre el lado de la plataforma son precisas solamente a la profundidad completa de corte. El ajustar la sierra a la profundidad de corte adecuada mantiene la fricción de la hoja a un mínimo, quita el aserrín de entre los dientes de la hoja, dando como resultado una aserradura más fría y más rápida, y reduce la posibilidad de rebote.

FIG. 4



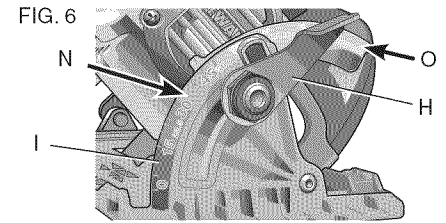
Para lograr la acción de corte más eficiente, fije el ajuste de la profundidad de tal modo que la mitad de un diente de la hoja se proyecte debajo del material a cortar. Esta distancia va desde la punta del diente hasta la parte de abajo de la garganta al frente del mismo (refiérase al inserto de la Figura 5). Esto mantiene la fricción de la hoja a un mínimo, quita el aserrín de entre los dientes de la hoja, dando como resultado una aserradura más fría y más rápida, y reduce la posibilidad de rebote. Un método para verificar la correcta profundidad de corte se muestra en la Figura 5. Coloque una pieza del material que planea cortar a lo largo del lado de la hoja, como se muestra, y observe cuánto del diente se proyecta más allá del material.

FIG. 5
PARTE INFERIOR DE LA HOJA



Ajuste del ángulo del bisel (Fig. 1, 6)

El rango completo del ajuste del bisel va desde 0° a 53°. Los topes están ubicados a 22.5° y 45°. El cartabón angular está graduado en incrementos de 1°. Sobre el frente de la sierra se encuentra un mecanismo de ajuste del ángulo del bisel que



consiste de un cartabón angular calibrado (I) y una palanca de ajuste del bisel (H). El cartabón angular permite un ajuste grueso (N) o un ajuste fino (O) para lograr mayor precisión al cortar.

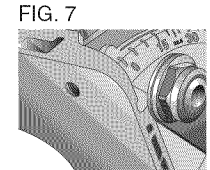
PARA AJUSTAR LA SIERRA PARA UN CORTE BISELADO

1. Levante la palanca de ajuste del bisel (H) e incline la plataforma al ángulo deseado alineando el puntero con la marca angular deseada.
2. Empuje la palanca de ajuste del bisel hacia abajo y apriete firmemente para bloquear el ángulo.

Ajuste de la plataforma para cortes a 90°

SI SE NECESITA AJUSTE ADICIONAL

1. Ajuste la sierra a un biselado de 0°.
2. Retraiga el protector de la hoja. Coloque la sierra sobre el lado de la hoja.
3. Levante la palanca de ajuste del bisel. Coloque una escuadra contra la hoja y la plataforma para efectuar el ajuste de 90°.



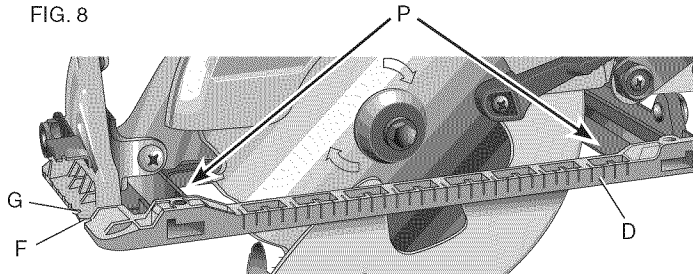
- Mueva el tornillo de ajuste, ubicado en la parte inferior de la plataforma (Fig. 7), de tal modo que la plataforma se detendrá en el ángulo apropiado.
- Confirme la precisión del ajuste comprobando la cuadratura de un corte real sobre un pedazo de material de desecho.

Indicador de línea de corte (Fig. 8)

El frente de la plataforma de la sierra (D) tiene un indicador de línea de corte de 0° (F) y un indicador de línea de corte de 45° (G) para corte vertical y biselado. Los indicadores de la línea de corte le permiten guiar la sierra a lo largo de las líneas de corte marcadas con lápiz sobre la pieza de trabajo.

El indicador está alineado con el lado izquierdo (exterior) de la hoja de la sierra. La hoja en movimiento que realiza la ranura o corte de "entalladura" cae a la derecha del indicador. Coloque la sierra a lo largo de la línea de corte trazada a lápiz, de tal modo que la línea de corte caiga sobre el material de desperdicio o sobrante. Los indicadores de marcación en el frente de la plataforma están a intervalos de 13 mm (1/2 pulg.) para entregar guías adicionales de corte.

FIG. 8



Los indicadores de línea de corte (P) también están ubicados en el interior de la plataforma para mantener la sierra a escuadra al cortar.

FUNCIONAMIENTO

⚠ADVERTENCIA : Para reducir el riesgo de lesiones corporales graves, apague la herramienta y desconéctela de la fuente de alimentación antes de realizar ajustes o de quitar o poner accesorios.

IMPORTANTE : Siempre cerciórese de que la palanca de bloqueo del ajuste de la profundidad esté en la posición inferior antes de hacer funcionar la sierra.

Interruptor de gatillo (Fig. 1)

⚠ADVERTENCIA : Para reducir el riesgo de graves lesiones personales, al arrancar la sierra sosténgala con ambas manos para evitar el retroceso.

Oprima el interruptor de gatillo (A) para encender la herramienta. Suelte el interruptor de gatillo para apagar la herramienta.

NOTA: Esta herramienta no se ha diseñado para permitir el bloqueo del disparo en la posición de encendido y nunca debe intentar bloquearse en dicha posición por ningún medio.

Para cambiar las hojas (Fig. 1, 9–12)

IMPORTANTE: La mayoría de las hojas de repuesto vienen con una abertura redonda del centro de mandril que debe ser expulsada de tal modo que aparezca un centro de mandril con forma de diamante. En esta sierra únicamente se pueden utilizar hojas con un centro de mandril en forma de diamante.

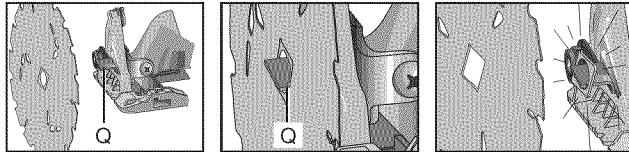
AVISO: Nunca instale una hoja sin remover el orificio pre-horadado. La falta de enganche de la hoja causará que la hoja se ponga en contacto con otras partes de la sierra provocando daños a la herramienta.

PARA ABRIR EL ORIFICIO PRE-HORADADO

▲ADVERTENCIA: SIEMPRE utilice protección ocular. Todos los usuarios y las personas circunstantes deben llevar protección ocular en conformidad con ANSI Z87.1.

▲ADVERTENCIA: Cerciérese de que la palanca de bloqueo de bisel esté apretada y asegurada después de utilizarla para abrir el orificio pre-horadado. Si el ajuste de la hoja se desliza al cortar puede causar atascamiento y rebote.

FIG. 9



Coloque el hueco central redondo de la hoja en la muesca (Q) arriba de la palanca de ajuste del bisel (H). Agarrando la sierra y la hoja firmemente, hale hasta que se abra el orificio pre-horadado. Ahora queda puesto el centro de mandril con forma de diamante.

PARA INSTALAR LA HOJA (FIG. 1, 10, 11)

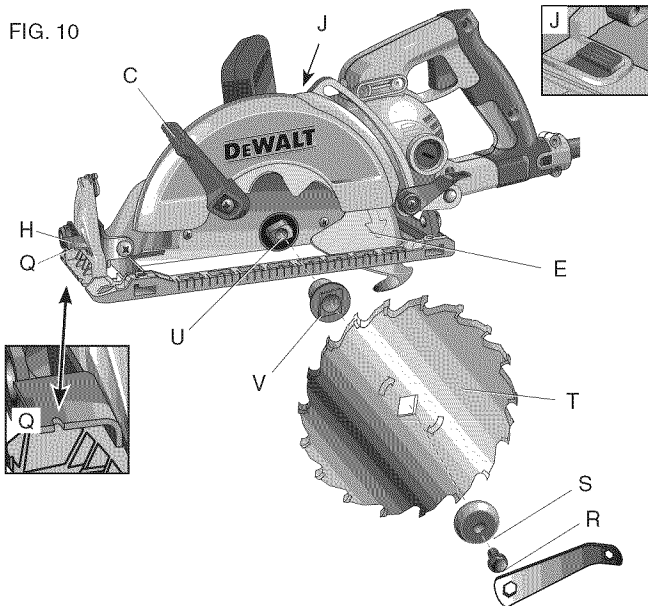
1. Afloje y retire el tornillo de sujeción de la hoja (R) con la llave provista, girándolo en sentido horario como lo indica la flecha sobre la arandela de sujeción externa (S).
2. Retire la arandela de sujeción externa (S).
3. Utilizando la palanca retractora del protector inferior de la hoja (C), retraiga el protector inferior de la hoja (E).

IMPORTANTE: Al retraer el protector inferior de la hoja para instalar la hoja, verifique la condición y la operación del protector inferior de la hoja que garantizar que esté funcionando en forma apropiada. Cerciérese de que se mueve sin obstáculos y que no toca la hoja, la plataforma o cualquier otra parte, para todos los ángulos y profundidades de corte.

4. Coloque la hoja (T) sobre el eje de la sierra (U) contra la arandela de sujeción interna (V), asegurándose de que la hoja girará en la dirección apropiada (la dirección de la flecha de rotación sobre la hoja de la sierra y los dientes debe apuntar en la misma dirección que la dirección de la flecha de rotación sobre el protector inferior de la hoja).

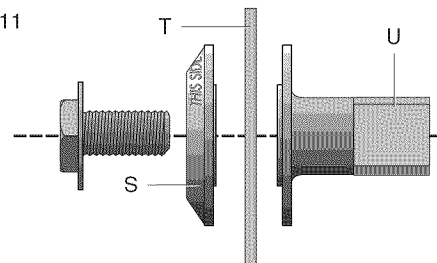
IMPORTANTE: Cerciérese siempre de que el centro de mandril con forma de diamante de la hoja esté alineado con el centro de mandril con forma de diamante levantado sobre la arandela de sujeción externa.

FIG. 10



NOTA: No asuma que la impresión sobre la hoja de la sierra siempre quedará de frente a usted cuando esté instalada en forma apropiada.

FIG. 11



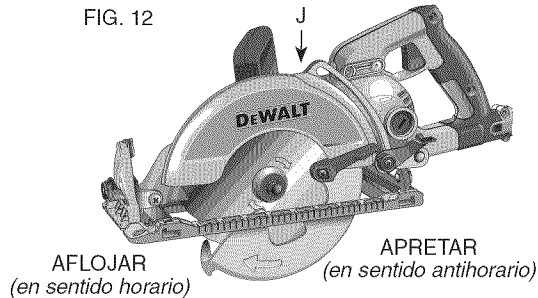
5. Coloque la arandela de sujeción externa (S) sobre el eje de la sierra (U) con la superficie plana grande contra la hoja y las palabras sobre la arandela de sujeción externa de frente a usted, como lo muestra la Figura 11.
6. Enrosque a mano el tornillo de sujeción de la hoja (R) en el eje de la sierra (el tornillo es de rosca izquierda y para apretarlo se debe hacer girar en sentido antihorario).
7. Libere lentamente la palanca retractora del protector inferior de la hoja (C).
8. Presione el botón de bloqueo del eje (J) mientras que da vuelta al eje de la sierra con la llave provista para la hoja hasta que engrane el seguro de la hoja y la hoja deje de rotar. Utilizando la llave para la hoja, apriete firmemente el tornillo de sujeción de la hoja.

AVISO: Nunca engrane el seguro de la hoja mientras la sierra esté operando, o en un esfuerzo para detener la herramienta. Nunca encienda la sierra mientras que esté engranado el seguro de la hoja. Como resultado se presentarán graves daños para su sierra.

PARA CAMBIAR LA HOJA (FIG. 10–12)

1. Presione el botón de bloqueo del eje (J) mientras que da vuelta al eje de la sierra con la llave provista para la hoja hasta que engrane el seguro de la hoja y la hoja deje de rotar.

FIG. 12



2. Con la llave provista para la hoja, afloje el tornillo de sujeción de la hoja (R) dándole vuelta en sentido horario como lo indica la flecha sobre la arandela de sujeción externa (S).
3. Retire la arandela de sujeción externa (S).
4. Utilizando la palanca retractora del protector inferior de la hoja (C), retraiga el protector inferior de la hoja. Retire la hoja utilizada y descártela en forma apropiada.
5. Instale la nueva hoja como se ha descrito previamente.
6. Limpie cualquier aserrín que se hay podido acumular en el protector o el área de la arandela de sujeción. Verifique la condición y la operación del protector inferior de la hoja como se describe previamente. No lubrique esta área.
7. Seleccione la hoja adecuada para la aplicación (refiérase a **Hojas**). Siempre utilice hojas del tamaño correcto (diámetro) con el hueco central de tamaño y forma adecuados para ser

montadas sobre el eje de la sierra. Asegúrese siempre de que la velocidad máxima (rpm) recomendada para la hoja de la sierra cumple o excede la velocidad (rpm) de la sierra.

PROTECTOR INFERIOR DE LA HOJA

⚠ADVERTENCIA: El protector inferior de la hoja es una característica de seguridad que reduce el riesgo de lesiones personales graves. Nunca utilice la sierra si el protector inferior falta, está dañado, está mal armado o no está funcionando en forma apropiada. No se confié en que el protector inferior de la hoja lo protegerá en cualquier circunstancia. Su seguridad depende de obedecer todas las advertencias y precauciones, así como de la adecuada operación de la sierra. Verifique que el protector inferior se cierra adecuadamente antes de cada uso, tal como se describe en Instrucciones de seguridad para todas las sierras. Si el protector inferior de la hoja falta o no está funcionando en forma apropiada, haga que reparen la sierra antes de utilizarla. Para garantizar la seguridad y confiabilidad del producto, las reparaciones, el mantenimiento y el ajuste deben realizarlos los centros de servicio autorizados u otras organizaciones de servicio calificadas, usando siempre repuestos idénticos.

Hojas

⚠ADVERTENCIA: Para reducir el peligro de lesiones en los ojos, use siempre lentes protectores. El carburo es un material duro pero quebradizo. Los objetos extraños en la pieza de trabajo, tales como alambres o clavos, pueden causar que las puntas se agrieten o se rompan. Únicamente haga funcionar la sierra cuando el protector adecuado para la hoja de la sierra esté en su lugar. Antes de utilizarla monte la hoja en forma segura con la rotación apropiada, y siempre utilice una hoja limpia y afilada.

⚠ATENCIÓN: No corte metales ferrosos (acero), mampostería, vidrio, maderos tipo mampostería, tablas de cemento o azulejos con esta sierra.

No utilice discos u hojas abrasivos. Una hoja roma dará origen a cortes lentos e ineficientes teniendo como resultado sobrecarga del motor de la sierra, astillado excesivo, pudiendo aumentar la posibilidad de rebote. Por favor refiérase a la siguiente tabla para determinar la hoja de reemplazo de tamaño correcto para su modelo de sierra.

<i>DWS535, DWS535T</i>			
<i>Hoja</i>	<i>Diámetro</i>	<i>Dientes</i>	<i>Aplicación</i>
DW3592B10	184 mm	18	Propósito general
DW3578B10	(7-1/4 pulg.)	24	Corte de madera
DW3576B10	184 mm.	36	Corte de
DW3526	(7-1/4 pulg.)	140	contrachapado
DW3578B10	184 mm (7-1/4 pulg.)	24	Madera laminada o derivados de madera

Si necesita asistencia con relación a las hojas, por favor llame al 1-800-4-DEWALT (1-800-433-9258).

Retroceso

El rebote es una reacción súbita ante una hoja de la sierra pinchada, atascada o desalineada que causa que una sierra fuera de control mueva hacia arriba y lejos de la pieza de trabajo, hacia el operador. Cuando la hoja se pincha o atasca demasiado debido al cierre de la línea de corte, la hoja se atasca y la reacción del motor lleva a la unidad a saltar rápidamente hacia atrás, en dirección al operador. Si la hoja queda torcida o desalineada en el corte, los dientes en el borde posterior de la hoja se pueden enterrar en la superficie de

arriba de la madera, causando que la hoja se salga por encima de la línea de corte y salte hacia atrás, hacia el operador.

Hay una mayor posibilidad de que ocurra el rebote cuando exista cualquiera de las siguientes condiciones.

1. SOPORTE INADECUADO DE LA PIEZA DE TRABAJO

- El corrimiento o la elevación inadecuada de la pieza a cortar pueden causar que la hoja quede pellizcada y causar el rebote (Fig. 14).
- El corte a través de material apoyado solamente en los extremos exteriores puede causar el rebote. El material se desplaza a medida que se debilita, cerrando la línea de corte y pellizcando la hoja.
- El corte de un pedazo de material en voladizo o en saliente desde abajo hacia arriba en dirección vertical puede causar el rebote. La pieza cortada que cae puede pellizcar la hoja.
- El cortar largas tiras delgadas (como al cortar a lo largo de la veta de la madera) puede originar el rebote. La tira cortada se puede correr o torcer cerrando la línea de corte y pellizcando la hoja.
- El enganchar el protector inferior sobre una superficie debajo del material siendo cortado reduce momentáneamente el control por parte del operador. La sierra se puede elevar parcialmente por fuera del corte incrementando la posibilidad de que la hoja se tuerza.

2. AJUSTE INADECUADO DE LA PROFUNDIDAD DE CORTE EN LA SIERRA

Para lograr el corte más eficiente, la hoja debería sobresalir solamente lo suficiente para exponer la mitad de un diente como lo muestra la Figura 5. Esto permite que la plataforma preste soporte a la hoja y minimiza la torsión y el pellizco en el material. Véase la sección titulada **Ajuste de la profundidad de corte.**

3. TORSIÓN DE LA HOJA (DESALINEACIÓN EN EL CORTE)

- A. El empujar con mayor fuerza a través de un nudo, un clavo o un área de veta dura puede causar que la hoja se tuerza.
- B. El intentar girar la sierra en el corte (tratando de regresar a la línea marcada) puede causar que la hoja se tuerza.
- C. El sobrepasar u operar la sierra con un control corporal inadecuado (sin equilibrio), puede dar como resultado que la hoja se tuerza.
- D. El cambiar el agarre manual o la posición corporal mientras que se corta puede dar como resultado la torsión de la hoja.
- E. El retroceder la sierra para liberar la hoja puede causar torsión.

4. MATERIALES QUE REQUIEREN DE ATENCIÓN EXTRAORDINARIA

- A. Madera húmeda
- B. Madera verde (material recién cortado o que no ha sido secado en horno)
- C. Madera tratada a presión (material tratado con preservativos o sustancias químicas antipodredumbre)

5. UTILIZACIÓN DE HOJAS ROMAS O SUCIAS

Las hojas romas pueden aumentar la carga sobre la sierra. Para compensar esto, el operador usualmente empujará más fuerte, con lo que carga aún más la unidad y estimula la torsión de la hoja en la línea de corte. Las hojas desgastadas también pueden presentar insuficiente holgura con relación a la carcasa, lo cual aumenta la posibilidad de atascamiento y un aumento en la carga.

6. PARA LEVANTAR LA SIERRA AL CORTAR CON BISEL

Los cortes biselados necesitan atención especial por parte del operador con relación a técnicas de corte apropiadas -

especialmente cómo guiar la sierra. Tanto el ángulo de la hoja con relación a la plataforma como una mayor superficie de la hoja en el material, aumentan la posibilidad de que se presenten atascamiento y desalineación (torsión).

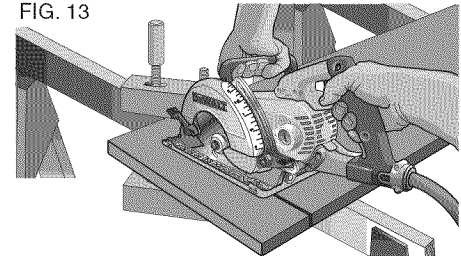
7. PARA VOLVER A INICIAR UN CORTE CON LOS DIENTES DE LA HOJA CONTRA EL MATERIAL

La sierra debería llevarse hasta la velocidad completa de funcionamiento antes de iniciar un corte, o de volver a iniciar un corte después de que la unidad se haya detenido con la hoja en la línea de corte. El no hacerlo puede causar atascamiento y rebote.

Cualesquier otras condiciones que podrían dar como resultado aprisionamiento, atascamiento, torsión o desalineación de la hoja podrían causar rebote. Refiérase a las secciones sobre ajustes y operación para obtener los procedimientos y técnicas que minimizarán la ocurrencia del rebote.

Apoyo de la pieza de trabajo (Fig. 13-15)

⚠ADVERTENCIA: Es importante el apoyar el trabajo en forma apropiada y sostener la sierra firmemente para evitar la pérdida de control que podría causar una lesión personal. La Figura 13 ilustra el soporte



manual apropiado para la sierra. Mantenga un agarre firme con ambas manos sobre la sierra y posicione su cuerpo y brazo para permitirle resistir el rebote si se produce.

La Figura 13 muestra la posición adecuada para aserrar. Dese cuenta que ambas manos se mantienen lejos del área de corte. **Para evitar el rebote**, SI apoye la tabla o el panel CERCA del corte (Fig. 14). NO apoye la tabla o el panel LEJOS del corte (Fig. 15).

FIG. 14 **SI** apoye la tabla o el panel CERCA del corte.

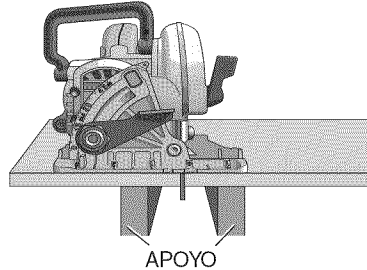
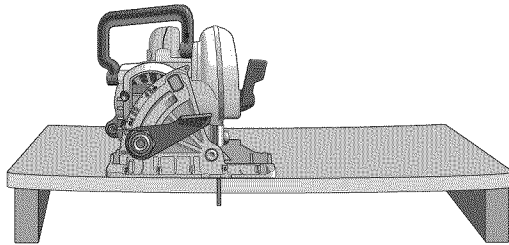


FIG. 15 **NO** apoye la tabla o el panel LEJOS del corte.



Coloque el trabajo con su lado “bueno” – para el que la apariencia es más importante - hacia abajo. La sierra corta hacia arriba, de tal modo que cualquier astillado se producirá en el cara del trabajo que queda hacia arriba cuando lo corta.

Corte

⚠ADVERTENCIA : Nunca intente utilizar esta herramienta apoyándola cabeza abajo sobre una superficie de trabajo y llevando el material hacia la herramienta. Sujete siempre la pieza de trabajo en forma segura y lleve la herramienta hacia la pieza de trabajo, sosteniendo la herramienta con las dos manos como lo muestra la Figura 13.

Coloque la porción más ancha de la plataforma de la sierra sobre la parte de la pieza de trabajo que esté apoyada sólidamente, no sobre la sección que caerá al hacer el corte. Como un ejemplo, la Figura 13 ilustra el modo CORRECTO de cortar el extremo de una tabla. Siempre sujete el trabajo. ¡No trate de sostener piezas cortas con las manos! Recuerde suministrar apoyo al material en voladizo y en saliente. Sea precavido al aserrar material desde abajo.

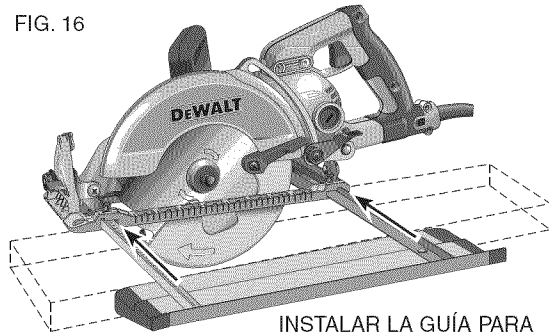
Cerciórese de que la sierra corra a velocidad completa antes de que la hoja entre en contacto con el material a cortar. El arrancar la sierra con la hoja contra el material a cortar o empujada en la línea de corte puede dar origen al rebote. Empuje la sierra hacia adelante a una velocidad que permita que la hoja corte sin dificultad. La dureza y la resistencia pueden variar aun dentro de la misma pieza de material, y las secciones nudosas y húmedas pueden imponer una pesada carga sobre la sierra. Cuando esto suceda, empuje la sierra más lentamente, pero con la suficiente fuerza para mantenerla trabajando sin demasiada reducción de velocidad. El forzar la sierra puede causar cortes ásperos, imprecisión, rebote, y recalentamiento del motor. Si su corte se empieza a salir de la línea, no lo fuerce a regresar. Suelte el interruptor y permita que la hoja se detenga completamente. A continuación usted puede retirar la sierra, mirar de nuevo, y arrancar un nuevo corte ligeramente dentro del incorrecto. En cualquier caso, retire la sierra si debe desplazar el corte. El forzar una corrección dentro del corte puede atascar la sierra y causar el rebote.

SI LA SIERRA SE ATASCA, SUELTE EL GATILLO Y RETROCEDA LA SIERRA HASTA QUE AFLOJE. CERCÍORSE DE QUE LA HOJA QUEDE RECTA EN EL CORTE Y LIBERE EL BORDE CORTANTE ANTES DE VOLVER A ARRANCAR.

A medida que termine un corte, suelte el gatillo y permita que la hoja se detenga antes de levantar la sierra del trabajo. Cuando levante la sierra, el protector telescópico cargado a resorte se cerrará automáticamente debajo de la hoja. Recuerde que la hoja queda expuesta hasta que esto ocurra. Nunca ponga su mano debajo del trabajo, por ningún motivo. Cuando tenga que retraer manualmente el protector telescópico (como es necesario para iniciar el corte de orificios) siempre utilice la palanca retractora.

NOTA: Al cortar tiras delgadas, tenga cuidado en cerciorarse de que pequeñas piezas cortadas no queden dentro del protector inferior.

FIG. 16

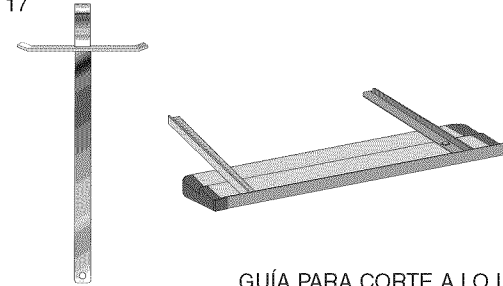


INSTALAR LA GUÍA PARA CORTE A LO LARGO DE LA VETA EN ESTA DIRECCIÓN

CORTAR A LO LARGO DE LA VETA (FIG. 16)

El cortar a lo largo de la veta es el proceso de cortar tablas más anchas en tiras más estrechas – cortando la veta longitudinalmente. La guía manual es más difícil para este tipo de aserradura y se recomienda el uso de la guía para corte a lo largo de la veta DW3278 o de la guía para corte a lo largo de la veta de doble puerto DWS5100 de DEWALT (Fig. 17).

FIG. 17



GUÍA PARA CORTE A LO LARGO DE LA VETA DW3278

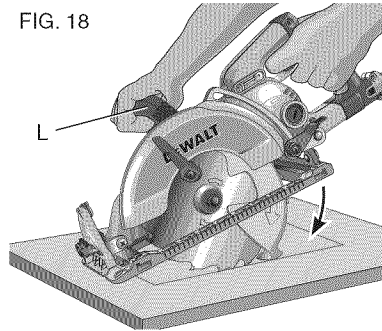
GUÍA PARA CORTE A LO LARGO DE LA VETA DE DOBLE PUERTO DWS5100

CORTES DE ORIFICIOS (FIG. 18)

⚠ADVERTENCIA: Nunca amarre el protector de la hoja en una posición levantada. Nunca mueva la sierra hacia atrás cuando esté cortando orificios. Esto puede causar que la unidad se levante de la superficie de trabajo, lo que podría ocasionar una lesión.

Un corte de orificios es el que se hace en un piso, pared u otra superficie plana.

FIG. 18



1. Ajuste la plataforma de la sierra de tal modo que la hoja corte a la profundidad deseada.
2. Incline la sierra hacia adelante y descanse el frente de la plataforma sobre el material a cortar.
3. Utilizando la palanca retractora, retraiga el protector inferior de la hoja a una posición hacia arriba. Haga descender la parte posterior de la plataforma hasta que los dientes de la hoja casi toquen la línea de corte.
4. Libere el protector de la hoja (su contacto con el trabajo lo mantendrá en posición de abrirse libremente a medida que usted inicia el corte). Retire las manos de la palanca del protector y agarre firmemente el mango auxiliar (L), como lo muestra la Figura 18. Posicione su cuerpo y brazo para permitirle resistir el rebote si se produce.
5. Cerciórese de que la hoja no esté en contacto con la superficie de corte antes de arrancar la sierra.
6. Arranque el motor y gradualmente haga descender la sierra hasta que su plataforma descansa a ras sobre el material a cortar. Haga avanzar la sierra a lo largo de la línea de corte hasta completar el corte.
7. Suelte el gatillo y permita que la hoja se detenga completamente antes de retirar la hoja del material.
8. Al empezar cada nuevo corte, repita de acuerdo a lo anterior.

MANTENIMIENTO

⚠ ADVERTENCIA: Para reducir el riesgo de lesiones personales graves, apague la herramienta y desconéctela de la fuente de energía antes de realizar ajustes o de retirar o instalar cualquier dispositivo o accesorio.

Limpieza

⚠ ADVERTENCIA: Sople la suciedad y el polvo de todos los conductos de ventilación con aire seco, al menos una vez por semana. Para reducir el riesgo de lesiones, utilice siempre protección para los ojos aprobada ANSI Z87.1 al realizar esta tarea.

⚠ ADVERTENCIA: Nunca utilice solventes ni otros químicos abrasivos para limpiar las piezas no metálicas de la herramienta. Estos productos químicos pueden debilitar los materiales plásticos utilizados en estas piezas. Utilice un paño humedecido sólo con agua y jabón neutro. Nunca permita que penetre líquido dentro de la herramienta ni sumerja ninguna de las piezas en un líquido.

Lubricación

La herramienta usa rodamientos autolubrificantes y no requieren ser relubricados. Sin embargo, sí se recomienda que una vez al año lleve o envíe la herramienta a un centro de servicio autorizado para una limpieza, inspección y lubricación a fondo del cárter.

PARA COMPROBAR EL ACEITE

⚠ ADVERTENCIA: Superficies calientes. Riesgo de quemaduras. El motor y las partes circundantes están muy calientes. No los toque. Permita que el motor se enfríe antes de prestarle mantenimiento.

⚠ ADVERTENCIA: ¡Tenga cuidado! ¡El aceite del engranaje puede estar caliente! El contacto con aceite caliente puede causar lesiones corporales.

AVISO: Asegúrese de que haya aceite de engranaje en la sierra antes de operar la sierra, o se puede causar daño a la herramienta.

NOTA: El aceite de engranaje contiene sustancias que están reglamentadas y que se deben desechar de acuerdo con la legislación y los reglamentos locales, estatales, provinciales y federales.

1. Coloque la sierra sobre una superficie estable y nivelada, de tal modo que la mesa de la sierra se asiente a ras contra la superficie.
2. Con la llave provista, gire el tapón del aceite en sentido antihorario para retirarlo.
3. Debido al asentamiento, a pesar de que la cantidad correcta de aceite pueda estar presente en el cárter puede ser que no sea visible mirando en el orificio de llenado de aceite.
 - a. Con la herramienta apagada y desconectada de la fuente de alimentación, gire la hoja y mire en el orificio de llenado de aceite.
 - b. Si el aceite no es visible a medida que giran los engranajes, debe ser agregado.
4. Para añadir aceite, agregue lentamente aceite de engranaje 85W-140 o equivalente hasta que llegue hasta la rosca más baja del hueco del tapón. Su centro de servicio local de DEWALT dispone de aceite de engranaje 85W-140 o equivalente.

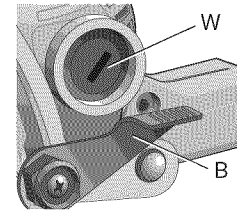
NOTA: Al agregar aceite, permita que el aceite fluya muy lentamente. Se puede producir un derrame si se agrega el aceite demasiado rápidamente.

5. Vuelva a colocar el tapón del aceite y apriete firmemente.
6. Deseche el aceite de acuerdo con las leyes y reglamentos locales, estatales y federales.

Escobillas (Fig. 19)

Revise las escobillas de carbón con regularidad desconectando la sierra, retirando la tapa superior (W) ubicada por encima de la palanca de ajuste de la profundidad (B) y retirando la unidad de escobillas. Mantenga las escobillas limpias y pudiendo desplazarse libremente en sus guías. Siempre vuelva a colocar una escobilla usada con la misma orientación en el soporte como estaba antes de la remoción.

FIG. 19



Las escobillas de carbón tienen diversos símbolos estampados en sus lados, y si cualquier escobilla ha sido gastada hasta la línea más cercana al resorte, las escobillas deben ser cambiadas. Use sólo escobillas DEWALT originales. Se dispone de nuevas unidades de escobillas en su centro de servicio local. Siempre vuelva a colocar la tapa superior después de inspeccionar o prestar mantenimiento a las escobillas. Se debería dejar que la herramienta “corra en vacío” (funcione sin carga y sin hoja) por 5 minutos antes de utilizarla, a fin de que se asienten las nuevas escobillas. Mientras “corra en vacío” NO AMARRE, SUJETE CON CINTA O BLOQUEE DE CUALQUIER OTRA MANERA EL INTERRUPTOR DE GATILLO EN ENCENDIDO. SOSTENGA ÚNICAMENTE A MANO.

Accesorios

⚠ ADVERTENCIA: Debido a que no se han probado con este producto otros accesorios que no sean los que ofrece DEWALT, el uso de dichos accesorios con esta herramienta podría ser peligroso. Para reducir el riesgo de lesiones, con este producto deben usarse sólo los accesorios recomendados por DEWALT.

Los accesorios que se recomiendan para utilizar con la herramienta están disponibles a un costo adicional en su distribuidor local o en un centro de mantenimiento autorizado. Si necesita ayuda para localizar algún accesorio, póngase en contacto con DEWALT Industrial Tool Co., 701 East Joppa Road, Baltimore, MD 21286, llame al 1-800-4-DEWALT (1-800-433-9258) o visite nuestro sitio web www.dewalt.com.

Reparaciones

Para asegurar la SEGURIDAD y la CONFIABILIDAD del producto, las reparaciones, el mantenimiento y los ajustes deben (inclusive inspección y cambio de carbones) ser realizados en un centro de mantenimiento en la fábrica DEWALT, en un centro de mantenimiento autorizado DEWALT u por otro personal de mantenimiento calificado. Utilice siempre piezas de repuesto idénticas.

Póliza de Garantía

IDENTIFICACIÓN DEL PRODUCTO:

Sello o firma del Distribuidor.

Nombre del producto: _____ Mod./Cat.: _____

Marca: _____ Núm. de serie: _____

(Datos para ser llenados por el distribuidor)

Fecha de compra y/o entrega del producto: _____

Nombre y domicilio del distribuidor donde se adquirió el producto: _____

Este producto está garantizado por un año a partir de la fecha de entrega, contra cualquier defecto en su funcionamiento, así como en materiales y mano de obra empleados para su fabricación. Nuestra garantía incluye la reparación o reposición del producto y/o componentes sin cargo alguno para el cliente, incluyendo mano de obra, así como los gastos de transportación razonablemente erogados derivados del cumplimiento de este certificado.

Para hacer efectiva esta garantía deberá presentar su herramienta y esta póliza sellada por el establecimiento comercial donde se adquirió el producto, de no contar con ésta, bastará la factura de compra.

EXCEPCIONES.

Esta garantía no será válida en los siguientes casos:

- Cuando el producto se hubiese utilizado en condiciones distintas a las normales;
- Cuando el producto no hubiese sido operado de acuerdo con el instructivo de uso que se acompaña;
- Cuando el producto hubiese sido alterado o reparado por personas distintas a las enlistadas al final de este certificado.

Anexo encontrará una relación de sucursales de servicio de fábrica, centros de servicio autorizados y franquiciados en la República Mexicana, donde podrá hacer efectiva su garantía y adquirir partes, refacciones y accesorios originales.

Garantía limitada por tres años

DEWALT reparará, sin cargo, cualquier falla que surja de defectos en el material o la fabricación del producto, por hasta tres años a contar de la fecha de compra. Esta garantía no cubre fallas de las piezas causadas por su desgaste normal o abuso a la herramienta. Para mayores detalles sobre la cobertura de la garantía e información acerca de reparaciones realizadas bajo garantía, visítenos en www.dewalt.com o diríjase al centro de servicio más cercano. Esta garantía no aplica a accesorios o a daños causados por reparaciones realizadas o intentadas por terceros. Esta garantía le otorga derechos legales específicos, además de los cuales puede tener otros dependiendo del estado o la provincia en que se encuentre.

Además de la garantía, las herramientas DEWALT están cubiertas por:

1 AÑO DE SERVICIO GRATUITO

DEWALT mantendrá la herramienta y reemplazará las piezas gastadas por su uso normal, sin cobro, en cualquier momento durante un año a contar de la fecha de compra. Los artículos gastados por la clavadora, tales como la unidad de hoja y retorno del impulsador, no están cubiertas.

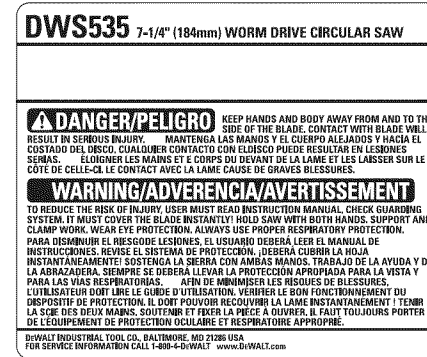
GARANTÍA DE REEMBOLSO DE SU DINERO POR 90 DÍAS

Si no está completamente satisfecho con el desempeño de su máquina herramienta, láser o clavadora DEWALT, cualquiera sea el motivo, podrá devolverlo hasta 90 días de la fecha de compra con su recibo y obtener el reembolso completo de su dinero – sin necesidad de responder a ninguna pregunta.

AMÉRICA LATINA: Esta garantía no se aplica a los productos que se venden en América Latina. Para los productos que se venden en América Latina, debe consultar la información de la garantía específica del país que viene en el empaque, llamar a la compañía local o visitar el sitio Web a fin de obtener esa información.

Español

REEMPLAZO GRATUITO DE LAS ETIQUETAS DE ADVERTENCIAS: Si sus etiquetas de advertencia se vuelven ilegibles o faltan, llame al 1-800-4-DEWALT para que se le reemplacen gratuitamente.



PARA REPARACIÓN Y SERVICIO DE SUS HERRAMIENTAS ELÉCTRICAS, FAVOR DE DIRIGIRSE AL CENTRO DE SERVICIO MÁS CERCANO

CULIACAN, SIN

Bldv.Emiliano Zapata 5400-1 Poniente

Col. San Rafael

(667) 717 89 99

GUADALAJARA, JAL

Av. La Paz #1779 - Col. Americana Sector Juárez (33) 3825 6978

MEXICO, D.F.

Eje Central Lázaro Cárdenas No. 18

Local D, Col. Obrera

(55) 5588 9377

MERIDA, YUC

Calle 63 #459-A - Col. Centro (999) 928 5038

MONTERREY, N.L.

Av. Francisco I. Madero 831 Poniente - Col. Centro(818) 375 23 13

PUEBLA, PUE

17 Norte #205 - Col. Centro (222) 246 3714

QUERETARO, QRO

Av. San Roque 274 - Col. San Gregorio (442) 2 17 63 14

SAN LUIS POTOSI, SLP

Av. Universidad 1525 - Col. San Luis (444) 814 2383

TORREON, COAH

Blvd. Independencia, 96 Pte. - Col. Centro (871) 716 5265

VERACRUZ, VER

Prolongación Díaz Mirón #4280 - Col. Remes (229) 921 7016

VILLAHERMOSA, TAB

Constitución 516-A - Col. Centro (993) 312 5111

PARA OTRAS LOCALIDADES:

Si se encuentra en México, por favor llame al (55) 5326 7100

Si se encuentra en U.S., por favor llame al
1-800-433-9258 (1-800 4-DEWALT)

SOLAMENTE PARA PROPÓSITO DE MÉXICO:
 IMPORTADO POR: DEWALT S.A. DE C.V.
 BOSQUES DE CIDROS, ACCESO RADIATAS NO.42
 3A. SECCIÓN DE BOSQUES DE LAS LOMAS
 DELEGACIÓN CUAJIMALPA,
 05120, MÉXICO, D.F.
 TEL. (52) 555-326-7100
 R.F.C.: BDE810626-1W7

Para servicio y ventas consulte
 "HERRAMIENTAS ELECTRICAS"
 en la sección amarilla.

**ESPECIFICACIONES**

	DWS535
Voltaje:	120 V c.a. ~
Amperaje:	15 A
Frecuencia:	50/60 Hz
Vatios	1 650 W
RPM:	4 800/min

DEWALT Industrial Tool Co., 701 Joppa Road, Baltimore, MD 21286
(APR10) Part No. N078760 DWS535 Copyright © 2009, 2010 DEWALT

The following are trademarks for one or more DEWALT power tools: the yellow and black color scheme; the “D” shaped air intake grill; the array of pyramids on the handgrip; the kit box configuration; and the array of lozenge-shaped humps on the surface of the tool.

Free Manuals Download Website

<http://myh66.com>

<http://usermanuals.us>

<http://www.somanuals.com>

<http://www.4manuals.cc>

<http://www.manual-lib.com>

<http://www.404manual.com>

<http://www.luxmanual.com>

<http://aubethermostatmanual.com>

Golf course search by state

<http://golfingnear.com>

Email search by domain

<http://emailbydomain.com>

Auto manuals search

<http://auto.somanuals.com>

TV manuals search

<http://tv.somanuals.com>