

If you have questions or comments, contact us.  
 Pour toute question ou tout commentaire, nous contacter.  
 Si tiene dudas o comentarios, contáctenos.

1-800-4-DEWALT • www.dewalt.com

INSTRUCTIVO DE OPERACIÓN, CENTROS DE SERVICIO Y PÓLIZA DE GARANTÍA. ADVERTENCIA: LEASE ESTE INSTRUCTIVO ANTES DE USAR EL PRODUCTO.

INSTRUCTION MANUAL  
 GUIDE D'UTILISATION  
 MANUAL DE INSTRUCCIONES

# DEWALT®

DW331 VS Orbital Jig Saw

DW331, scie sauteuse orbitale à vitesse variable

DW331 Sierra de vaivén orbital de velocidad variable

DeWALT Industrial Tool Co., 701 East Joppa Road, Baltimore, MD 21286  
 (OCT04) Form No. 586831-01 DW331 Copyright © 2004 DeWALT

The following are trademarks for one or more DeWALT power tools: the yellow and black color scheme; the "D" shaped air intake grill; the array of pyramids on the handgrip; the kit box configuration; and the array of lozenge-shaped humps on the surface of the tool.

IF YOU HAVE ANY QUESTIONS OR COMMENTS ABOUT THIS OR ANY DeWALT TOOL, CALL US TOLL FREE AT: 1-800-4-DEWALT (1-800-433-9258)

## General Safety Instructions

**WARNING!** Read and understand all instructions. Failure to follow all instructions listed below, may result in electric shock, fire and/or serious personal injury.

### SAVE THESE INSTRUCTIONS

#### WORK AREA

- Keep your work area clean and well lit. Cluttered benches and dark areas invite accidents.
- Do not operate power tools in explosive atmospheres, such as in the presence of flammable liquids, gases, or dust. Power tools create sparks which may ignite the dust or fumes.
- Keep bystanders, children, and visitors away while operating a power tool. Distractions can cause you to lose control.

#### ELECTRICAL SAFETY

- Grounded tools must be plugged into an outlet properly installed and grounded in accordance with all codes and ordinances. Never remove the grounding prong or modify the plug in any way. Do not use any adaptor plugs. Check with a qualified electrician if you are in doubt as to whether the outlet is properly grounded. If the tools should electrically malfunction or break down, grounding provides a low resistance path to carry electricity away from the user. **Applicable only to Class I (grounded) tools.**
- Double insulated tools are equipped with a polarized plug (one blade is wider than the other.) This plug will fit in a polarized outlet only one way. If the plug does not fit fully in the outlet, reverse the plug. If it still does not fit, contact a qualified electrician to install a polarized outlet. Do not change the plug in any way. Double insulation  eliminates the need for the three wire grounded power cord and grounded power supply system. **Applicable only to Class II (double insulated) tools.**
- Avoid body contact with grounded surfaces such as pipes, radiators, ranges and refrigerators. There is an increased risk of electric shock if your body is grounded.
- Don't expose power tools to rain or wet conditions. Water entering a power tool will increase the risk of electric shock.
- Do not abuse the cord. Never use the cord to carry the tools or pull the plug from an outlet. Keep cord away from heat, oil, sharp edges or moving parts. Replace damaged cords immediately. Damaged cords increase the risk of electric shock.
- When operating a power tool outside, use an outdoor extension cord marked "W-A" or "W." These cords are rated for outdoor use and reduce the risk of electric shock. When using an extension cord, be sure to use one heavy enough to carry the current your product will draw. An undersized cord will cause a drop in line voltage resulting in loss of power and overheating. The following table shows the correct size to use depending on cord length and nameplate ampere rating. If in doubt, use the next heavier gage. The smaller the gage number, the heavier the cord.

| Volts         | Total Length of Cord in Feet | Minimum Gage for Cord Sets |         |         |         |
|---------------|------------------------------|----------------------------|---------|---------|---------|
|               |                              | 0-25                       | 26-50   | 51-100  | 101-150 |
| 120V          | 0-25                         | 26-50                      | 51-100  | 101-150 |         |
| 240V          | 0-50                         | 51-100                     | 101-200 | 201-300 |         |
| Ampere Rating |                              | AWG                        |         |         |         |
| More Than     | Not more Than                |                            |         |         |         |
| 0             | - 6                          | 18                         | 16      | 16      | 14      |
| 6             | - 10                         | 18                         | 16      | 14      | 12      |

#### PERSONAL SAFETY

- Stay alert, watch what you are doing and use common sense when operating a power tool. Do not use tool while tired or under the influence of drugs, alcohol, or medication. A moment of inattention while operating power tools may result in serious personal injury.

Download from Wwww.Somanuals.com. All Manuals Search And Download.

- Dress properly. Do not wear loose clothing or jewelry. Contain long hair. Keep your hair, clothing, and gloves away from moving parts. Loose clothing, jewelry, or long hair can be caught in moving parts. Air vents often cover moving parts and should also be avoided.
- Avoid accidental starting. Be sure switch is off before plugging in. Carrying tools with your finger on the switch or plugging in tools that have the switch on invites accidents.
- Remove adjusting keys or wrenches before turning the tool on. A wrench or a key that is left attached to a rotating part of the tool may result in personal injury.
- Do not overreach. Keep proper footing and balance at all times. Proper footing and balance enables better control of the tool in unexpected situations.
- Use safety equipment. Always wear eye protection. Dust mask, non-skid safety shoes, hard hat, or hearing protection must be used for appropriate conditions.

#### TOOL USE AND CARE

- Use clamps or other practical way to secure and support the workpiece to a stable platform. Holding the work by hand or against your body is unstable and may lead to loss of control.
- Do not force tool. Use the correct tool for your application. The correct tool will do the job better and safer at the rate for which it is designed.
- Do not use tool if switch does not turn it on or off. Any tool that cannot be controlled with the switch is dangerous and must be repaired.
- Disconnect the plug from the power source before making any adjustments, changing accessories, or storing the tool. Such preventative safety measures reduce the risk of starting the tool accidentally.
- Store idle tools out of reach of children and other untrained persons. Tools are dangerous in the hands of untrained users.
- Maintain tools with care. Keep cutting tools sharp and clean. Properly maintained tools, with sharp cutting edges are less likely to bind and are easier to control.
- Check for misalignment or binding of moving parts, breakage of parts, and any other condition that may affect the tool's operation. If damaged, have the tool serviced before using. Many accidents are caused by poorly maintained tools.
- Use only accessories that are recommended by the manufacturer for your model. Accessories that may be suitable for one tool, may become hazardous when used on another tool.

#### SERVICE

- Tool service must be performed only by qualified repair personnel. Service or maintenance performed by unqualified personnel could result in a risk of injury.
- When servicing a tool, use only identical replacement parts. Follow instructions in the Maintenance section of this manual. Use of unauthorized parts or failure to follow maintenance instructions may create a risk of electric shock or injury.

#### Additional Specific Safety Instructions for Jig Saws

- Hold tool by insulated gripping surfaces when performing an operation where the cutting tool may contact hidden wiring or its own cord. Contact with a "live" wire will make exposed metal parts of the tool "live" and shock the operator.
- Allow the motor to come to a complete stop before withdrawing the blade from the kerf (the slot created by cutting). A moving blade may impact the workpiece causing a broken blade, workpiece damage or loss of control and possible personal injury.
- Keep handles dry, clean, free from oil and grease. This will enable better control of the tool.
- Keep blades sharp. Dull blades may cause the saw to swerve or stall under pressure.
- Clean out your tool often, especially after heavy use. Dust and grit containing metal particles often accumulate on interior surfaces and could create an electric shock hazard.
- Do not operate this tool for long periods of time. Vibration caused by the operating action of this tool may cause permanent injury to fingers, hands, and arms. Use gloves to provide extra cushion, take frequent rest periods, and limit daily time of use.

**WARNING:** Always wear eye protection while operating this power tool.

**WARNING:** Some dust created by power sanding, sawing, grinding, drilling, and other construction activities contains chemicals known to cause cancer, birth defects or other reproductive harm. Some examples of these chemicals are:

- lead from lead-based paints,
- crystalline silica from bricks and cement and other masonry products, and
- arsenic and chromium from chemically-treated lumber (CCA).

Your risk from these exposures varies, depending on how often you do this type of work. To reduce your exposure to these chemicals: work in a well ventilated area, and work with approved safety equipment, such as those dust masks that are specially designed to filter out microscopic particles.

- Avoid prolonged contact with dust from power sanding, sawing, grinding, drilling, and other construction activities. Wear protective clothing and wash exposed areas with soap and water. Allowing dust to get into your mouth, eyes, or lay on the skin may promote absorption of harmful chemicals.

**WARNING:** Use of this tool can generate and/or disburse dust, which may cause serious and permanent respiratory or other injury. Always use NIOSH/OSHA approved respiratory protection appropriate for the dust exposure. Direct particles away from face and body.

**CAUTION:** Wear appropriate hearing protection during use. Under some conditions and duration of use, noise from this product may contribute to hearing loss.

- The label on your tool may include the following symbols. The symbols and their definitions are as follows:

|                                |                       |                      |                         |
|--------------------------------|-----------------------|----------------------|-------------------------|
| V .....                        | volts                 | A .....              | amperes                 |
| Hz .....                       | hertz                 | W .....              | watts                   |
| min .....                      | minutes               | ~ .....              | alternating current     |
| ==== .....                     | direct current        | n <sub>0</sub> ..... | no load speed           |
| <input type="checkbox"/> ..... | Class II Construction | .../min.....         | revolutions or          |
| <input type="checkbox"/> ..... | earthing terminal     | sfpm .....           | surface feet per minute |
| <input type="checkbox"/> ..... | safety alert symbol   |                      |                         |

#### COMPONENTS

- |                         |                         |
|-------------------------|-------------------------|
| A. Trigger switch       | H. Dust blower control  |
| B. Lock button          | I. No-mar shoe cover    |
| C. Speed control dial   | J. Anti-splinter insert |
| D. Blade lever          |                         |
| E. Bevel lever          |                         |
| F. Shoe                 |                         |
| G. Cutting action lever |                         |

#### Motor

Your DeWALT tool is powered by a DeWALT-built motor. Be sure your power supply agrees with the nameplate markings.

Volts 50/60 Hz or "AC only" means your tool must be operated only with alternating current and never with direct current. Volts DC-60 Hz or AC/DC means your tool may be operated with either alternating or direct current.

Voltage decrease of more than 10% will cause loss of power and overheating. All DeWALT tools are factory tested; if this tool does not operate, check the power supply.

#### OPERATION

##### Trigger Switch (Fig. 1)

To start the jig saw, squeeze the trigger switch (A).

To slow and stop the jig saw, release the trigger switch.

For continuous operation, squeeze the trigger switch then depress the lock button (B). Once lock button is depressed, release the trigger switch.

To release from continuous operation, squeeze the trigger and the lock will disengage.

##### Variable Speed Switch (Fig. 1, 2)

The variable speed is controlled in two ways: speed control dial (C) and the trigger switch (A).

##### SPEED CONTROL DIAL

By rotating the speed control dial (C) in either direction, the maximum speed or strokes-per-minute at which the blade will cut is adjusted. The speed control dial adjusts the speed that the blade will cut from approximately 500 SPM on speed A to approximately 3,100 SPM on speed F.

FIG. 1

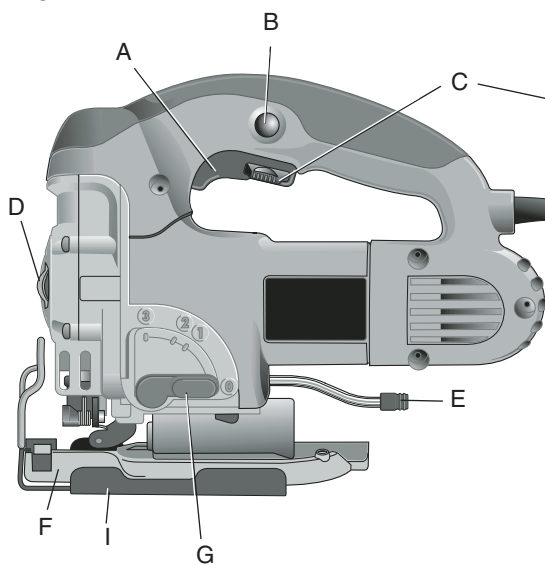


FIG. 2

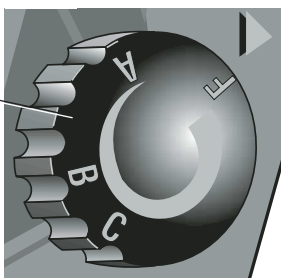


FIG. 3

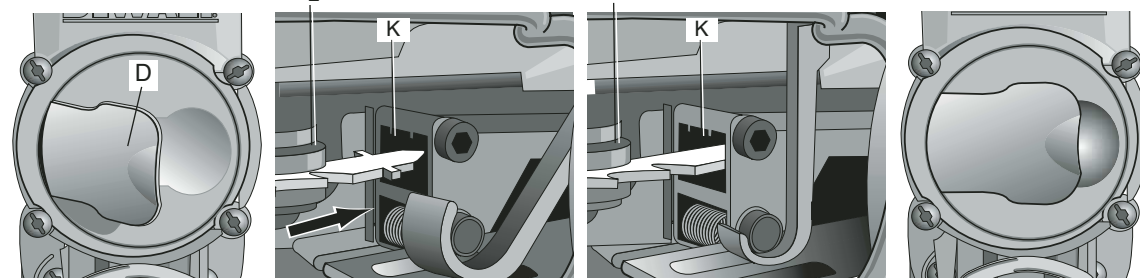


FIG. 4

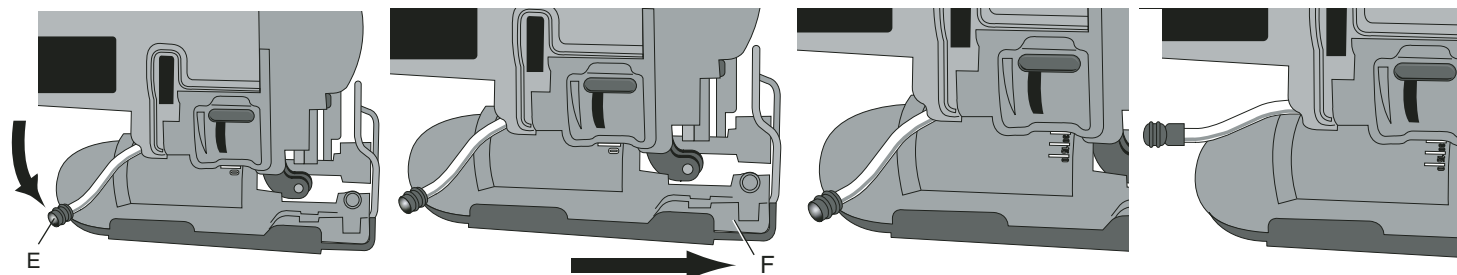


FIG. 5

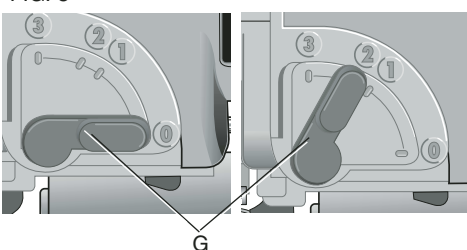


FIG. 6

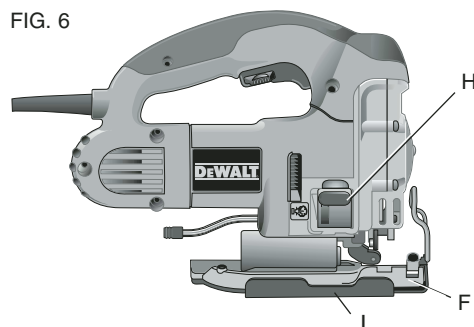


FIG. 7

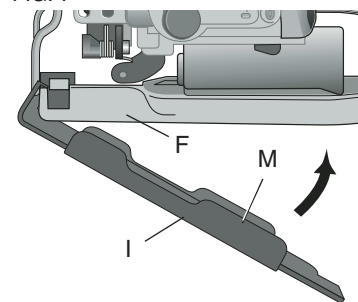
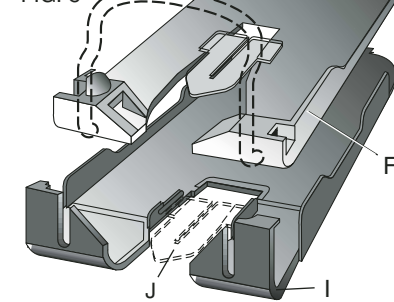


FIG. 8



#### TRIGGER SWITCH

As the trigger switch is pressed in, the strokes-per-minute continue to increase, but not to exceed the maximum setting on the speed control dial. As the trigger is released, the blade strokes-per-minute reduce.

#### Blade Installation and Removal (Fig. 3)

**CAUTION:** Turn off and unplug the tool before making any adjustments or removing/installing attachments or accessories.

#### TO INSTALL A BLADE

**NOTE:** This jig saw uses only T-shank jig saw blades.

**NOTE:** The DT2074 flush cutting blade is for use with DeWALT DW331 and DC330 jig saws only.

**NOTE:** When installing flush cutting blades (DT2074), the anti-splinter insert must be removed and the shoe must be in the 0° positive stop position.

1. Lift the keyless blade lever (D).
2. Insert the T-shank blade into the clamp mechanism (K) while guiding the back of the blade into the groove of the guide rollers (L).
3. The T-shank should be completely inside the clamp mechanism as shown in Figure 3.
4. Release the keyless blade lever.

#### TO REMOVE A BLADE

1. Lift the keyless blade lever (D).
2. With a slight shake the blade will drop out.

**CAUTION:** Do not touch used blades, they may be hot. Personal injury may result.

#### Beveling the Shoe (Fig. 4)

**To unlock the shoe,** pull the keyless bevel lever (E) to the side.

**To lock the shoe,** push the keyless bevel lever back under the body of the jig saw.

#### TO BEVEL THE SHOE

1. Unlock the shoe.
2. Slide the shoe (F) forward to release it from the 0° positive stop position.
3. The shoe can be beveled to the left or to the right and has detents at 15°, 30° and 45°. The shoe can be manually stopped at any degree between 0° and 45°.
4. Once the desired bevel angle is achieved, lock the shoe into place.

#### TO SET SHOE BACK TO 0°

1. Unlock the shoe.
2. Rotate the shoe back to 0°.
3. Slide the shoe back into the 0° positive stop position.
4. Lock the shoe.

#### Cutting Action – Orbital or Straight (Fig. 5)

**CAUTION:** Check that the tool is not locked ON before connecting it to a power supply. If the trigger switch is locked ON when the tool is connected to the power supply, it will start immediately. Damage to your tool or personal injury may result.

This jig saw is equipped with four cutting actions, three orbital and one straight. Orbital action has a more aggressive blade motion and is designed for cutting in soft materials like wood or plastic. Orbital action provides a faster cut, but with a less smooth cut across the material. In orbital action, the blade moves forward during the cutting stroke in addition to the up and down motion.

**NOTE:** Metal or hardwoods should never be cut in orbital action.

**To adjust the cutting action,** move the cutting action lever (G) between the four cutting positions: 0, 1, 2, and 3. Position 0 is straight cutting. Positions 1, 2, and 3 are orbital cutting. The aggressiveness of the cut increase as the lever is adjusted from one to three, with three being the most aggressive cut.

#### Dust Blower (Fig. 6)

The dust blower helps clear the cutting area of debris created from the blade.

**NOTE:** When cutting metal, turn the dust blower off so cutting fluids are not blown away from the blade.

**To turn the dust blower on,** slide the dust blower control (H) all the way to the top.

**To turn the dust blower off,** slide the dust blower control all the way to the bottom.

#### Removable No-Mar Shoe Cover (Fig. 7)

The no-mar shoe cover (I) should be used when cutting surfaces that scratch easily, such as laminate, veneer, or paint.

**To attach no-mar shoe cover,** place the front of the aluminum shoe (F) into the front of the no-mar shoe cover (I) and lower the jig saw. The no-mar shoe will click securely onto the rear of aluminum shoe.

**To remove no-mar shoe cover,** grasp the no-mar shoe cover from the bottom; holding onto the two rear tabs (M) remove the no-mar shoe cover.

#### Anti-Splinter Insert (Fig. 8)

**NOTE:** Do not use the anti-splinter insert with the flush cutting blade.

The anti-splinter insert (J) should be used when trying to minimize tear-out, especially when cutting veneer, laminate, or finished surfaces, such as paint. The anti-splinter insert should be installed into the no-mar shoe cover (I). If the no-mar cover is not used, install anti-splinter insert into shoe (F).

FIG. 9

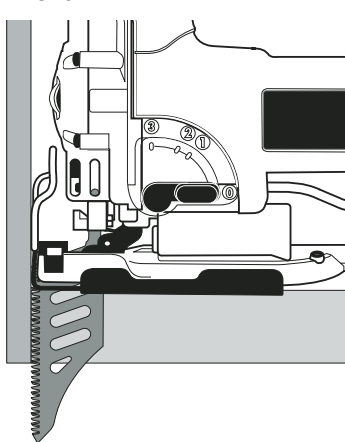


FIG. 10

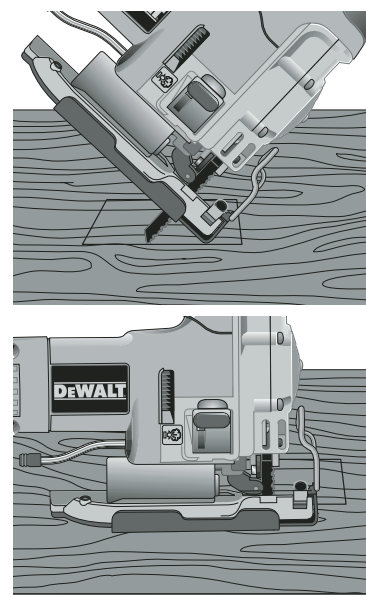
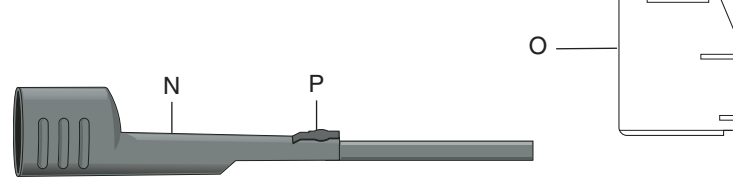


FIG. 11



#### Cutting

**WARNING:** The jig saw should not be operated with the shoe removed or serious personal injury may result.

#### POCKET CUTTING (FIG. 10)

A pocket cut is an easy method of making an inside cut. The saw can be inserted directly into a panel or board without first drilling a lead or pilot hole. In pocket cutting, measure the surface to be cut and mark clearly with a pencil. Next tip the saw forward until the front end of the shoe sits firmly on the work surface and the blade clears the work through its full stroke. Switch the tool on and allow it to attain maximum speed. Grip the saw firmly and lower the back edge of tool slowly until the blade reaches its complete depth. Hold the shoe flat against the wood and begin cutting. Do not remove blade from cut while it is still moving. Blade must come to a complete stop.

#### FLUSH CUTTING (FIG. 9)

A flush cut is necessary when finishing off cuts up to a wall or an obstacle, such as back-splash. One of the easiest ways to accomplish the flush cut is to use a flush cutting blade (DT2074). The flush cutting blade provides the reach necessary to cut right up to the front edge of the jig saw shoe. Remove the anti-splinter insert and return the shoe to the 0° positive stop position before installing and using the flush cutting blade. For the best cut quality the flush cutting blade should be used in the 0 or 1 orbital position. The flush cutting blade should not be used to start the cut because the flush cutting blade prevents the shoe from being supported by the work surface. Use wood cutting practices explained below.

#### WOOD CUTTING

Support the workpiece adequately at all times. Use the higher speed setting for cutting wood. Do not attempt to turn the tool on when blade is against material to be cut. This could stall the motor. Place the front of shoe on the material to be cut and hold the jig saw shoe firmly against the wood while cutting. Don't force the tool; let the blade cut at its own speed. When the cut is complete, turn the jig saw off. Let blade come to a complete stop and then lay the saw aside before loosening the work.

#### METAL CUTTING

In cutting thin gauge sheet metals, it is best to clamp wood to the bottom of sheet metal; this will insure a clean cut without the risk of vibration or tearing of metal. Always remember to use a finer blade for ferrous metals (for those that have a high iron content); and use a coarser blade for non-ferrous metals (those that do not have an iron content). Use a high speed setting for cutting soft metals (aluminum, copper, brass, mild steel, galvanized pipe, conduit sheet metal, etc.). Use lower speed to cut plastics, tile, laminate, hard metals, and cast iron.

#### MAINTENANCE

##### Cleaning

**CAUTION:** Never use solvents or other harsh chemicals for cleaning the non-metallic parts of the tool. These chemicals may weaken the plastic materials used in these parts. Use a cloth dampened only with water and mild soap.

Do not use gasoline, turpentine, lacquer or paint thinner, dry cleaning fluids or similar products. Never let any liquid get inside the tool; never immerse any part of the tool into a liquid.

## Lubrification

**NOTE:** NEVER spray or in any other way apply lubricants or cleaning solvents inside the tool. This can seriously affect the life and performance of the tool.

DeWALT tools are properly lubricated at the factory and are ready for use. However, it is recommended that, once a year, you take or send the tool to a certified service center for a thorough cleaning and inspection.

## Repairs

To assure product SAFETY and RELIABILITY, repairs, maintenance and adjustment (including brush inspection and replacement) should be performed by authorized service centers or other qualified service personnel, always using identical replacement parts.

## ACCESSORIES

Recommended accessories for use with your tool are available at extra cost from your local dealer or authorized service center. If you need assistance in locating any accessory for your tool, contact: DeWALT Industrial Tool Co., 701 East Joppa Road, Baltimore, MD 21286 or call 1-800-4-DEWALT.

**NOTE:** The DT2074 flush cutting blade is for use with DeWALT DW331 and DC330 jig saws only.

**▲ CAUTION:** The use of any other accessory not recommended for use with this tool could be hazardous.

## VACUUM ADAPTER AND SHROUD (OPTIONAL)

Chip collection only works when a shop vacuum is attached to the unit through the vacuum adapter (N). To achieve the most efficient chip collection, the shroud (O) should be installed onto the front of the unit (Fig. 11).

**NOTE:** The jig saw must be in the 0° positive stop position before installing shroud.

**To install the vacuum adapter,** insert the vacuum adapter (N) into the back of the jig saw shoe (F). The vacuum adapter will lock into place.

**To remove the vacuum adapter,** push in the tab (P) on the vacuum adapter and remove adapter.

**To install shroud,** push shroud (O) onto the front of the jig saw. Note that the shoe must be in the 0° positive stop position to attach and use shroud.

**To remove shroud,** pull the shroud off one side at a time.

## Three Year Limited Warranty

DeWALT will repair, without charge, any defects due to faulty materials or workmanship for three years from the date of purchase. This warranty does not cover part failure due to normal wear or tool abuse. For further detail of warranty coverage and warranty repair information, visit [www.dewalt.com](http://www.dewalt.com) or call 1-800-4-DEWALT. This warranty does not apply to accessories or damage caused where repairs have been made or attempted by others. This warranty gives you specific legal rights and you may have other rights which vary in certain states or provinces.

In addition to the warranty, DeWALT tools are covered by our:

### 1 YEAR FREE SERVICE

DeWALT will maintain the tool and replace worn parts caused by normal use, for free, any time during the first year after purchase.

### 90 DAY MONEY BACK GUARANTEE

If you are not completely satisfied with the performance of your DeWALT Power Tool, Laser, or Nailers for any reason, you can return it within 90 days from the date of purchase with a receipt for a full refund – no questions asked.

**RECONDITIONED PRODUCT:** Reconditioned product is covered under the 1 Year Free Service Warranty. The 90 Day Money Back Guarantee and the Three Year Limited Warranty do not apply to reconditioned product.

**FREE WARNING LABEL REPLACEMENT:** If your warning labels become illegible or are missing, call 1-800-4-DEWALT for a free replacement.



## Calibre minimal des cordons de rallonge

### Tension/Longueur totale du cordon en meters

|       |          |           |            |            |
|-------|----------|-----------|------------|------------|
| 120 V | De 0 à 7 | De 7 à 15 | De 15 à 30 | De 30 à 45 |
| 240 V | De 0 à 7 | De 7 à 15 | De 15 à 39 | De 30 à 45 |

### Intensité (A)

Au moins Au plus Calibre moyen de fil

|   |   |    |    |    |    |    |
|---|---|----|----|----|----|----|
| 0 | - | 6  | 18 | 16 | 16 | 14 |
| 6 | - | 10 | 18 | 16 | 14 | 12 |

## SÉCURITÉ PERSONNELLE

- **Rester vigilant en tout temps et faire preuve de jugement lorsqu'on utilise un outil électrique.** Ne pas utiliser l'outil lorsqu'on est fatigué ou sous l'influence de drogues, d'alcool ou de médicaments, car un moment d'inattention pourrait entraîner des blessures graves.
- **Porter des vêtements appropriés. Ne pas porter des vêtements amples ou des bijoux. Couvrir ou attacher les cheveux longs. Garder les cheveux, les vêtements, les bijoux et les gants éloignés des pièces mobiles,** car ceux-ci peuvent s'y coincer. Se tenir éloigné des événements puisque ces derniers pourraient camoufler des pièces mobiles.
- **Éviter les démarrages accidentels; s'assurer que l'interrupteur est en position d'arrêt avant de brancher l'outil.** Ne pas transporter l'outil en laissant le doigt sur l'interrupteur ni le brancher lorsque l'interrupteur est en position de marche, car cela pourrait causer un accident.
- **Retirer les clés de réglage avant de démarrer l'outil.** Une clé laissée sur une pièce rotative pourrait entraîner des blessures.
- **Ne pas trop étendre les bras. Les pieds doivent rester ancrés fermement au sol afin de maintenir son équilibre en tout temps et de mieux maîtriser l'outil dans des situations imprévues.**
- **Utiliser le matériel de sécurité approprié; toujours porter des lunettes de protection.** Porter un masque anti-poussières, des chaussures antidérapantes, un casque de sécurité ou des protecteurs auditifs lorsque la situation le requiert.

## UTILISATION ET ENTRETIEN DE L'OUTIL

- **Fixer et soutenir la pièce sur une plate-forme stable au moyen d'une bride de serrage ou de tout autre dispositif semblable.** La pièce est instable lorsqu'on la retient manuellement ou qu'on l'appuie contre le corps, ce qui pourrait faire perdre la maîtrise de l'outil.
- **Ne pas forcer l'outil ni l'utiliser pour des travaux autres que ceux pour lesquels il a été conçu.** Pour obtenir de meilleurs résultats et prévenir les risques de blessure, laisser l'outil couper à la vitesse pour laquelle il a été conçu.
- **Ne pas utiliser l'outil lorsque l'interrupteur marche-arrêt ne fonctionne pas.** Tout outil qui ne peut être commandé au moyen de l'interrupteur est dangereux et doit être réparé.
- **Débrancher l'outil de la source d'alimentation électrique avant d'effectuer un réglage, de changer les accessoires ou de ranger l'outil;** ces mesures de sécurité préventives réduisent les risques de démarrage accidentel.
- **Lorsqu'on n'utilise pas l'outil, le ranger hors de la portée des enfants ou des personnes non qualifiées.** Les outils sont dangereux entre les mains de personnes inexpérimentées.
- **Bien entretenir l'outil; s'assurer qu'il est toujours bien propre et aiguisé.** Les outils bien entretenus et dont les bords sont bien tranchants sont moins susceptibles de rester coincés et sont plus faciles à maîtriser.
- **Vérifier les pièces mobiles afin de s'assurer qu'elles sont bien alignées et qu'elles ne restent pas coincées.** Vérifier également les pièces afin de s'assurer qu'il n'y a aucun bris ni aucune autre condition susceptible de nuire au bon fonctionnement de l'outil. **Faire réparer l'outil si ce dernier est endommagé avant de s'en servir à nouveau,** car les accidents sont souvent causés par des outils mal entretenus.
- **N'utiliser que les accessoires recommandés par le fabricant pour le modèle concerné.** Un accessoire destiné à un outil particulier peut devenir dangereux lorsqu'il est utilisé avec un autre.

## ENTRETIEN

- **L'outil doit être entretenu par le personnel qualifié seulement;** toute maintenance effectuée par une personne non qualifiée pourrait entraîner des risques de blessure.
- **Lors de l'entretien, n'utiliser que des pièces de rechange identiques et suivre les directives précisées à la section « Entretien » du présent guide** afin de prévenir les risques de choc électrique ou de blessure.

## Règles de sécurité additionnelles particulières concernant les scies sauteuses

- **Tenir l'outil par les surfaces isolées prévues à cette fin lorsqu'il risque d'entrer en contact avec des fils cachés,** car de tels contacts peuvent mettre les pièces métalliques de l'outil sous tension, engendrant des risques de choc électrique.
- **Attendre que le moteur s'arrête complètement avant de retirer la lame de l'entaille (la fente créée par la coupe).** Une lame qui bouge peut rebondir contre la pièce et se briser ou endommager la pièce ou encore, faire perdre la maîtrise de l'outil et causer des risques de blessure.
- **Garder les poignées propres, sèches et exemptes de toute trace d'huile et de graisse** afin d'éviter de perdre la maîtrise de l'outil.
- **Maintenir les lames bien aiguisées,** car les lames usées peuvent faire dévier la scie ou faire caler le moteur lorsqu'on exerce trop de pression sur l'outil.
- **Bien nettoyer l'outil périodiquement, surtout après l'avoir utilisé longuement,** car la poussière et les particules métalliques tendent à s'accumuler sur les surfaces internes et peuvent entraîner des risques de choc électrique.
- **Ne pas utiliser cet outil pendant des périodes prolongées.** Les vibrations causées par l'action de fonctionnement de l'outil peuvent blesser en permanence les doigts, les mains et les bras. Porter des gants pour amortir les vibrations, faire des pauses fréquentes et limiter le temps d'utilisation quotidien de l'outil.

**▲ AVERTISSEMENT :** Toujours porter des lunettes de protection lorsqu'on utilise un outil électrique.

**▲ AVERTISSEMENT :** Certains outils électriques, tels que les sableuses, les scies, les meules, les perceuses ou certains autres outils de construction, peuvent produire de la poussière contenant des produits chimiques susceptibles d'entraîner le cancer, des malformations congénitales ou pouvant être nocifs pour le système reproductif. Parmi ces produits chimiques, on retrouve :

- le plomb dans les peintures à base de plomb,
- la silice cristalline dans les briques et le ciment et autres produits de maçonnerie,
- l'arsenic et le chrome dans le bois de sciage ayant subi un traitement chimique (comme l'arséniate de cuivre et de chrome).

Le risque associé à de telles expositions varie selon la fréquence avec laquelle on effectue ces travaux. Pour réduire l'exposition à de tels produits, il faut travailler dans un endroit bien aéré et utiliser le matériel de sécurité approprié, tel un masque anti-poussières spécialement conçu pour filtrer les particules microscopiques.

- **Éviter tout contact prolongé avec la poussière soulevée par cet outil ou autres outils électriques.** Porter des vêtements de protection et nettoyer les parties exposées du corps à l'eau savonneuse. S'assurer de bien se protéger afin d'éviter d'absorber par la bouche, les yeux ou la peau des produits chimiques nocifs.

**▲ AVERTISSEMENT :** Cet outil peut produire et répandre de la poussière susceptible de causer des dommages sérieux et permanents au système respiratoire. Toujours utiliser un appareil respiratoire anti-poussières approuvé par le NIOSH ou l'OSHA. Diriger les particules dans le sens opposé du visage et du corps.

**▲ MISE EN GARDE :** Porter un appareil de protection personnel anti-bruit approprié durant l'utilisation. Sous certaines conditions et pendant toute la durée de l'utilisation, le bruit émanant de ce produit pourrait contribuer à la perte d'audition.

- L'étiquette apposée sur l'outil peut afficher les symboles suivants. Ces symboles et leurs définitions sont les suivants :

|                                  |   |
|----------------------------------|---|
| V.....volts                      | A .....ampères                                  |
| Hz.....hertz                     | W.....watts                                     |
| min .....minutes                 | ~ .....courant alternatif                       |
| ==== .....courant continu        | n0.....aucune option à vide                     |
| ☐ .....construction de classe II | .../min .....tours par minute                   |
| ⊕ .....borne de terre            | sspm .....surface de sciage en pieds par minute |
| ▲ .....symbole d'avertissement   |   |

SI VOUS AVEZ DES QUESTIONS OU VOUS VOULEZ NOUS FAIRE PART DE VOS COMMENTAIRES CONCERNANT CET OUTIL OU TOUT AUTRE OUTIL DEWALT, COMPOSEZ SANS FRAIS LE : 1 800 433-9258 (1-800-4-DEWALT).

## Règles de sécurité – Généralités

**▲ AVERTISSEMENT :** Lire, comprendre et suivre toutes les directives précisées ci-dessous, y compris les consignes de sécurité, afin d'éviter les risques de choc électrique, d'incendie ou de blessure grave.

### CONSERVER CES DIRECTIVES

#### AIRE DE TRAVAIL

- **L'aire de travail doit être propre et bien éclairée.** Les établis encombrés et les endroits sombres peuvent entraîner des accidents.
- **Ne pas faire fonctionner des outils électriques dans des atmosphères explosives, comme en présence de liquides, de gaz et de poussières inflammables.** Les outils électriques produisent des étincelles qui peuvent enflammer la poussière ou les vapeurs
- **Tenir les enfants, les visiteurs ou toute autre personne à l'écart lorsqu'on utilise un outil électrique;** les distractions peuvent faire perdre la maîtrise de ce dernier.

#### MESURES DE SÉCURITÉ – ÉLECTRICITÉ

- **Les outils mis à la terre doivent être branchés dans une prise correctement installée et mise à la terre tel que l'indiquent les codes et règlements en vigueur. Ne jamais retirer la broche de mise à la terre ou modifier la prise en aucune façon. Ne pas utiliser de fiche d'adaptation. Consulter un électricien qualifié s'il y a un doute en ce qui concerne la mise à la terre de la prise.** En cas de défaillance électrique ou de bris de l'outil, la mise à la terre procure un chemin de faible résistance au courant afin de réduire les risques de choc électrique. **Cette protection ne s'applique qu'aux outils de classe I (mis à la terre).**
- **Les outils à double isolation sont munis d'une fiche polarisée (c'est-à-dire que l'une des lames est plus large que l'autre), laquelle ne peut être raccordée qu'à une prise polarisée et ce, dans un seul sens; on doit l'inverser si on est incapable de l'enfoncer complètement. Si la fiche ne s'adapte toujours pas, on doit faire appel à un électricien qualifié pour qu'il installe la prise appropriée. On ne doit jamais modifier la fiche.** La double isolation ☐ élimine le besoin d'installer un cordon d'alimentation trifilaire et un système d'alimentation électrique pourvus d'une mise à la terre; **seuls les outils de classe II (à double isolation) sont munis d'une telle protection.**
- **Éviter tout contact entre le corps et les éléments mis à la terre, comme les tuyaux, les radiateurs, les cuisinières et les réfrigérateurs,** afin de réduire les risques de choc électrique.
- **Ne pas utiliser l'outil électrique dans des endroits mouillés, ni l'exposer à la pluie;** l'infiltration d'eau à l'intérieur de l'outil augmente les risques de choc électrique.
- **Ne pas utiliser le cordon de manière abusive; on ne doit pas transporter l'outil en le tenant par le cordon, ou utiliser ce dernier pour le débrancher. On doit tenir le cordon à l'écart des sources de chaleur, de l'huile, des bords tranchants ou des pièces mobiles. Remplacer immédiatement les cordons endommagés,** car ces derniers augmentent les risques de choc électrique.
- **Lorsqu'on utilise un outil électrique à l'extérieur, on ne doit utiliser que des rallonges conçues pour cet usage, comme celles de type « W-A » ou « W »,** afin de réduire les risques de choc électrique. S'assurer que la rallonge est en mesure de porter le courant nécessaire à l'outil. Une rallonge de calibre inférieure entraînera une chute de tension se traduisant par une perte de puissance et une surchauffe. Le tableau ci-dessous illustre les calibres que l'on doit utiliser selon la longueur de la rallonge et l'intensité nominale indiquée sur la plaque signalétique. En cas de doute, utiliser le calibre suivant. Plus le calibre est petit, plus la rallonge peut porter de courant.

## COMPOSANTS

- |                                    |                              |
|------------------------------------|------------------------------|
| A. Interrupteur à gâchette         | H. Commande du chasse-sciure |
| B. Bouton de verrouillage          | I. Couvre-patin anti-rayures |
| C. Bouton de réglage de la vitesse | J. Dispositif anti-éclats    |
| D. Levier de la lame               |                              |
| E. Levier d'angle de biseau        |                              |
| F. Patin                           |                              |
| G. Levier de coupe                 |                              |

### Moteur

Cet outil DEWALT est entraîné par un moteur fabriqué par DEWALT. On doit s'assurer que l'intensité nominale du cordon d'alimentation corresponde à celle indiquée sur la plaque signalétique.

La mention « c.a., 50 à 60 Hz », signifie que l'outil ne doit être branché que dans une prise de courant alternatif et qu'il ne doit **jamais** être raccordé à une prise de courant continu, alors que la mention « c.c. 60 Hz » ou « c.c. / c.a. » signifie qu'il peut être branché dans une prise à courant continu ou à courant alternatif.

Une chute de tension de plus de 10 % se traduira par une perte de puissance et une surchauffe. Tous les outils DEWALT sont soumis à des essais en usine; si cet outil ne fonctionne pas, on doit d'abord vérifier le cordon d'alimentation.

## FONCTIONNEMENT

### Interrupteur à gâchette (fig. 1)

**Pour démarrer la scie**, enfoncer l'interrupteur à gâchette (A).

**Pour ralentir et arrêter la scie**, relâcher l'interrupteur.

**Pour un fonctionnement continu**, enfoncer l'interrupteur, puis le bouton de verrouillage (B). Une fois le bouton enfoncé, relâcher l'interrupteur à gâchette.

**Pour arrêter l'outil en mode de fonctionnement continu**, appuyer sur l'interrupteur afin de dégager le bouton de verrouillage.

### Interrupteur à vitesse variable (figures 1 et 2)

La vitesse variable de l'outil est commandée de deux façons, soit en utilisant le bouton de réglage de la vitesse (C) ou l'interrupteur à gâchette (A).

#### BOUTON DE RÉGLAGE DE LA VITESSE

Tourner le bouton de réglage de la vitesse (C) dans un sens ou dans l'autre afin de régler la vitesse maximale ou la course/minute de la lame lors de la coupe. Le bouton de réglage de la vitesse sert à régler la vitesse de coupe de la lame selon une plage qui varie entre 500 courses/minute (position A) et 3 100 courses/minute (position F).

#### INTERRUPTEUR À GÂCHETTE

Plus on enfonce l'interrupteur à gâchette, plus la course/minute augmente, sans toutefois dépasser la vitesse maximale indiquée sur le bouton de réglage de la vitesse; relâcher la gâchette afin de réduire la course/minute de la lame.

### Installation et retrait de la lame (fig. 3)

**▲MISE EN GARDE : Arrêter et débrancher l'outil avant d'effectuer un réglage ou de retirer ou d'installer des pièces ou accessoires.**

#### INSTALLATION DE LA LAME

Remarque : Cette scie sauteuse n'utilise que des lames munies d'une tige en T.

**REMARQUE** : Utiliser la lame de coupe affleurée DT2074 seulement avec les scies sauteuses DEWALT DW331 et DC330.

**REMARQUE** : Lorsqu'on installe une lame de coupe affleurée (DT2074), on doit retirer le dispositif anti-éclats et mettre le patin à la position de butée fixe (0°).

- Soulever le levier de la lame sans clé (D).
- Insérer la lame munie d'une tige en T dans le mécanisme de serrage (M), en guidant la partie arrière de la lame dans la rainure des rouleaux de guidage (N).
- La tige en T doit être complètement insérée dans le mécanisme de serrage, tel qu'illustré à la figure 3.
- Relâcher le levier de la lame sans clé.

#### RETRAIT DE LA LAME

- Soulever le levier de la lame sans clé (D).
- Osciller légèrement la lame afin de la faire sortir.

**▲MISE EN GARDE : Ne pas toucher les lames usées, car ces dernières peuvent devenir chaudes et causer des blessures.**

### Réglage de l'angle de biseau du patin (fig. 4)

**Pour déverrouiller le patin**, tirer le levier d'angle de biseau sans clé (E) vers le côté.

**Pour verrouiller le patin**, pousser le même levier vers l'arrière, sous le corps de l'outil.

#### POUR RÉGLER L'ANGLE DE BISEAU DU PATIN

- Déverrouiller le patin.
- Le faire glisser (F) vers l'avant afin de le dégager de la position de butée fixe (0 °).
- On peut régler l'angle de biseau du patin vers la gauche ou vers la droite, et régler la détente à des angles de 15 °, 30 ° ou 45 °. On peut arrêter manuellement le patin à n'importe quelle position afin d'obtenir un angle de 0 ° à 45 °.
- Une fois l'angle voulu obtenu, verrouiller le patin dans cette position.

#### POUR REMETTRE LE PATIN À 0 °

- Déverrouiller le patin.
- Le tourner jusqu'à la position de 0 °.
- Le faire glisser jusqu'à la position de butée fixe (0 °).
- Le verrouiller.

### Coupe en mode orbital ou coupe droite (fig. 5)

**▲MISE EN GARDE : S'assurer que l'outil n'est PAS verrouillé en position de marche (« ON ») avant de le brancher à une source d'alimentation électrique afin d'éviter de démarrer accidentellement l'outil et de causer des dommages ou des blessures.**

La scie sauteuse est munie d'un levier qui permet d'effectuer quatre types de coupes, dont trois en mode orbital et un en mode de coupe droite. Lors de la coupe en mode orbital, qui est conçu pour la coupe de matériaux mous tels que le bois et le plastique, la lame se déplace de façon plus prononcée. Bien qu'une coupe en mode orbital soit plus rapide, elle produit une surface plus rugueuse en raison des mouvements verticaux de la lame lorsqu'elle avance durant sa course de travail.

**REMARQUE** : On ne doit jamais utiliser la scie en mode orbital pour couper le métal ou le bois dur.

**Pour régler le levier de coupe**, déplacer ce dernier (G) entre les quatre positions, soit 0, 1, 2 et 3. La position « 0 » correspond à la coupe droite et les positions 1, 2 et 3, à la coupe en mode orbital. Plus la position est élevée, plus la coupe est prononcée.

### Chasse-sciure (fig. 6)

Le chasse-sciure aide à dégager les débris produits par la lame dans la zone de coupe.

**REMARQUE** : Lorsqu'on coupe du métal, on doit mettre le chasse-sciure hors tension afin de ne pas enlever les fluides de coupe qui recouvrent la lame.

**Pour mettre le chasse-sciure en marche**, soulever la commande (H), aussi loin que possible. **Pour arrêter le chasse-sciure**, abaisser la commande, aussi loin que possible.

### Couvre-patin anti-rayures détachable (fig. 7)

Le couvre-patin anti-rayures (I) doit être utilisé lorsque la surface de coupe s'égratigne facilement, telle une surface stratifiée, plaquée ou peinte.

**Pour fixer le couvre-patin**, placer le devant du patin en aluminium (F) dans la partie avant du couvre-patin anti-rayures (I), puis abaisser la scie afin d'enclencher solidement le couvre-patin dans la partie arrière du patin en aluminium.

**Pour retirer le couvre-patin**, le saisir par le bas et le retirer en tenant les deux languettes arrière (M).

### Dispositif anti-éclats (fig. 8)

**REMARQUE** : Ne pas utiliser le dispositif anti-éclats avec la lame de coupe affleurée.

Le dispositif anti-éclats (J) doit être utilisé lorsqu'on veut réduire au minimum les déchirures, surtout lorsqu'on coupe des matériaux plaqués ou stratifiés ou des surfaces finies, comme les surfaces peintes. Le dispositif anti-éclats doit être installé à l'intérieur du couvre-patin anti-rayures (I). Si ce dernier n'est pas utilisé, installer le dispositif anti-éclats dans le patin (F).

### Coupe

**▲AVERTISSEMENT : Ne pas utiliser la scie sauteuse sans y avoir d'abord installé le patin afin d'éviter les risques de blessure grave.**

#### COUPE INTERNE (FIG. 10)

Il s'agit d'une méthode facile d'effectuer une coupe à l'intérieur d'un matériau. On peut introduire la scie directement dans un panneau ou une planche sans qu'il ne soit nécessaire de percer d'abord un trou de guidage. Pour réaliser une coupe à l'intérieur d'une pièce, mesurer la surface à couper et inscrire clairement une marque au crayon à l'endroit voulu. Incliner la scie vers l'avant de manière à ce que le devant du patin repose fermement sur la surface de travail et que la lame soit complètement dégagée de la pièce lors de sa course maximale. Mettre l'outil sous tension et attendre qu'il atteigne sa vitesse maximale. Le saisir fermement l'outil et abaisser lentement son bord arrière jusqu'à ce que la lame atteigne toute sa profondeur. Tenir le patin à plat contre le matériau et amorcer la coupe. Ne pas retirer la lame de la ligne de coupe lorsqu'elle bouge encore; on doit attendre qu'elle s'immobilise complètement.

#### COUPE AFFLEURÉE (FIG. 9)

Ce type de coupe est nécessaire lorsqu'on veut finir une coupe jusqu'au bord d'un mur ou tout près d'un obstacle, tel un dos anti-éclaboussement. Un des moyens les plus faciles d'effectuer une coupe affleurée et d'utiliser une lame de coupe affleurée (DT2074) puisqu'elle permet à l'utilisateur d'effectuer une coupe tout près du bord avant du patin de la scie sauteuse. Retirer le dispositif anti-éclats et remettre le patin à la position de butée fixe (0°) avant d'installer et d'utiliser la lame de coupe affleurée. Afin d'obtenir les meilleurs résultats possibles, on doit régler la lame à la position « 0 » ou de mode orbital « 1 ». On ne doit pas utiliser la lame de coupe affleurée pour amorcer la coupe puisqu'elle ne permet pas de supporter le patin sur la surface de travail. Utiliser la méthode expliquée ci-dessous pour couper le bois.

#### COUPE DU BOIS

Soutenir adéquatement la pièce en tout temps. Toujours sélectionner la vitesse maximale pour couper le bois. Ne pas tenter de mettre l'outil sous tension lorsque la lame est appuyée contre le matériau à couper afin d'éviter de caler le moteur. Placer le devant du patin sur le matériau à couper et tenir fermement le patin contre le matériau lors de la coupe. Ne pas forcer l'outil; laisser la lame couper à la vitesse normale. Une fois la coupe terminée, mettre l'outil hors tension et attendre que la lame s'immobilise complètement. Déposer ensuite la scie de côté avant de desserrer la pièce.

#### COUPE DU MÉTAL

Lorsqu'on coupe une feuille de tôle mince, il est préférable de fixer un morceau de bois sous la tôle afin d'assurer une coupe précise sans risquer de causer des vibrations ou de déchirer la tôle. Utiliser une lame à dents fines pour couper les métaux ferreux (c'est-à-dire, ceux contenant du fer) et une lame à grosses dents pour les métaux non ferreux (ceux ne contenant aucun fer). Utiliser une haute vitesse pour couper les alliages doux (l'aluminium, le cuivre, le laiton, l'acier doux, les tuyaux en acier galvanisé, conduits de tôle, etc.), et une basse vitesse pour couper les plastiques, les tuiles, les stratifiés, les métaux durs et la fonte.

## ENTRETIEN

### Nettoyage

**▲ MISE EN GARDE : Ne jamais utiliser de solvant ou d'autres produits chimiques pour nettoyer les pièces non métalliques de l'outil. De tels produits peuvent endommager les pièces en plastique; ne les nettoyer qu'au moyen d'un linge humide et de savon doux.**

Ne pas utiliser de l'essence, de la térébenthine, du décapant, du diluant pour peintures, des produits de nettoyage à sec ou tout autre produit semblable. Ne jamais laisser de liquide s'infiltrer à l'intérieur de l'outil ni tremper ce dernier dans un liquide quelconque.

### Lubrification

**REMARQUE** : NE JAMAIS pulvériser, ni appliquer de quelque manière que ce soit, un lubrifiant ou un solvant de nettoyage à l'intérieur de l'outil, car cela pourrait nuire sérieusement à la durée de vie et au rendement de l'outil.

Les outils DEWALT sont lubrifiés en usine et sont donc prêts à utiliser. Cependant, on recommande d'apporter ou d'envoyer l'outil une fois par année dans un centre de service qualifié afin qu'il puisse être complètement nettoyé et inspecté.

### Réparations

Pour assurer la SÉCURITÉ et la FIABILITÉ de ce produit, toutes les opérations de réparation, d'entretien et de réglage doivent être effectuées dans un centre de service autorisé ou par du personnel qualifié (cela comprend l'inspection et le remplacement du balai); on ne doit utiliser que des pièces de rechange identiques.

## ACCESSOIRES

Les accessoires recommandés pour cet outil sont vendus séparément chez les dépositaires locaux ou dans les centres de service autorisés. Pour obtenir plus d'information sur les accessoires, communiquer avec DEWALT Industrial Tool Co., 701 East Joppa Road, Baltimore, MD 21286, aux États-Unis ou composer le 1 800 433-9258 (1 800 4-DEWALT).

**REMARQUE** : La lame de coupe affleurée DT2074 doit être utilisée avec les scies sauteuses DEWALT DW331 et DC330 seulement.

**▲ MISE EN GARDE: L'utilisation de tout autre accessoire non recommandé avec cet outil pourrait être dangereux.**

#### ADAPTATEUR DU TUBE D'ASPIRATION ET COUVERCLE DE PROTECTION (EN OPTION)

On ne peut évacuer les copeaux que lorsqu'un aspirateur d'atelier est fixé à l'outil au moyen d'un adaptateur du tube d'aspiration (N). Afin d'obtenir les meilleurs résultats possibles, installer le couvercle de protection (O) sur le devant de l'outil (fig.11).

**REMARQUE** : Régler la scie à la position de butée fixe (0 °) avant d'installer le couvercle.

**Pour installer l'adaptateur du tube d'aspiration**, insérer ce dernier (N) à l'arrière du patin de la scie (F) et bien l'enclencher.

**Pour retirer l'adaptateur**, enfoncer la languette (P) de l'adaptateur et retirer celui-ci.

**Pour installer le couvercle de protection**, enfoncer celui-ci (O) sur la partie avant de la scie. S'assurer que le patin est réglé à la position de butée fixe (0 °) avant de fixer et d'utiliser le couvercle.

**Pour retirer le couvercle**, le tirer d'un côté, puis de l'autre.

### Garantie limitée de trois ans

DEWALT réparera, sans frais, tout produit défectueux causé par un défaut de matériel ou de fabrication pour une période de trois ans à compter de la date d'achat. La présente garantie ne couvre pas les pièces dont la défectuosité a été causée par une usure normale ou l'usage abusif de l'outil. Pour obtenir de plus amples renseignements sur les pièces ou les réparations couvertes par la présente garantie, visiter le site www.dewalt.com ou composer le 1 800 433-9258 (1 800 4-DEWALT). Cette garantie ne s'applique pas aux accessoires et ne vise pas les dommages causés par des réparations effectuées par un tiers. Cette garantie confère des droits légaux particuliers à l'acheteur, mais celui-ci pourrait aussi bénéficier d'autres droits variant d'un état ou d'une province à l'autre.

En plus de la présente garantie, les outils DEWALT sont couverts par notre :

#### CONTRAT D'ENTRETIEN GRATUIT D'UN AN

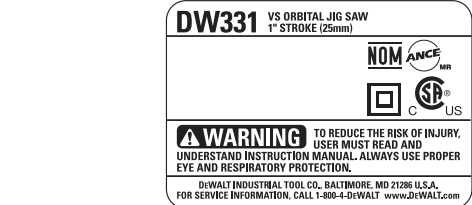
DEWALT entretiendra l'outil et remplacera les pièces usées au cours d'une utilisation normale et ce, gratuitement, pendant une période d'un an à compter de la date d'achat, et la

#### GARANTIE DE REMBOURSEMENT DE 90 JOURS

Si l'acheteur n'est pas entièrement satisfait, pour quelque raison que ce soit, du rendement de l'outil électrique, du laser ou de la cloueuse DEWALT, celui-ci peut le retourner, accompagné d'un reçu, dans les 90 jours à compter de la date d'achat, pour obtenir un remboursement intégral, sans aucun problème.

**PRODUIT RÉNOVÉ** : Tout produit rénové est couvert par une garantie gratuite d'entretien d'un an. Les garantie de remboursement sous 90 jours et garantie limitée de trois ans ne s'appliquent pas aux produits rénovés.

**REMPACEMENT GRATUIT DE L'ÉTIQUETTE D'AVERTISSEMENT** : En cas de perte ou d'endommagement des étiquettes d'avertissement, composer le 1 800 433-9258 afin d'en obtenir de nouvelles sans frais.



## Instrucciones de seguridad generales




**¡ADVERTENCIA!** Lea todas las instrucciones hasta comprenderlas. No ajustarse a las instrucciones siguientes puede ser causa de choque eléctrico, incendio o lesiones graves.

### CONSERVE ESTAS INSTRUCCIONES

#### ÁREA DE TRABAJO

- **Mantenga el área de trabajo limpia y bien iluminada.** Las bancadas desordenadas y las zonas oscuras propician los accidentes.
- **No opere herramientas eléctricas en atmósferas explosivas, como en presencia de líquidos, gases o polvos inflamables.** Las herramientas eléctricas producen chispas que pueden originar la ignición del polvo o los vapores.
- **Mientras opere una herramienta eléctrica, mantenga lejos a los observadores, niños y visitantes.** Las distracciones pueden ocasionar que pierda el control.

#### SEGURIDAD ELÉCTRICA

- **Las herramientas con conexión a tierra deben conectarse a una toma de corriente debidamente instalada y con conexión a tierra, de acuerdo con todos los códigos y ordenanzas aplicables. Nunca quite la pata de conexión a tierra ni modifique el enchufe en ninguna manera. No emplee ningún adaptador para enchufes. Si tiene alguna duda acerca de si la toma de corriente está debidamente conectada a tierra, consulte a un electricista calificado.** Si las herramientas presentasen fallas eléctricas o averías, la conexión a tierra ofrece una vía de baja resistencia para alejar la corriente eléctrica del usuario. **Sólo es aplicable a las herramientas de Clase I (con conexión a tierra).**
- **Las herramientas con doble aislamiento están equipadas con una clavija polarizada (una pata es más ancha que la otra). Esta clavija se acoplará a un enchufe polarizado de una sola manera. Si la clavija no se acopla al contacto, inviértala. Si aún así no se ajusta, comuníquese con un electricista cualificado para que instale un enchufe polarizado apropiado.** Nunca cambie la clavija. El doble aislamiento  elimina la necesidad de cables con tres hilos y sistemas de suministro eléctrico con conexión a tierra. **Sólo es aplicable a las herramientas de Clase II.**
- **Evite el contacto del cuerpo con superficies conectadas a tierra, tales como tuberías, radiadores, registros y refrigeradores.** El riesgo de choque eléctrico aumenta si su cuerpo hace tierra.
- **No exponga las herramientas eléctricas a la lluvia o a condiciones de mucha humedad.** Si entra agua en una herramienta eléctrica, aumenta el riesgo de choque eléctrico.
- **No maltrate el cable. Nunca tome el cable para transportar la herramienta ni para desconectarla del enchufe. Mantenga el cable alejado de las fuentes de calor, el aceite, las orillas afiladas o las piezas en movimiento. Cambie inmediatamente los cables dañados.** Los cables dañados aumentan el peligro de choque eléctrico.
- **Cuando opere una máquina herramienta a la intemperie, utilice un alargador marcado "W-A" o "W".** Estos alargadores están clasificados para ser usados a la intemperie y reducen el riesgo de descarga eléctrica. Al usar un alargador, asegúrese de que tenga el calibre necesario para llevar la corriente que su producto requerirá. Un alargador de un calibre insuficiente causará una caída en la tensión de la línea dando por resultado la pérdida de energía y sobrecalentamiento. La tabla siguiente muestra el tamaño correcto para utilizar dependiendo de la longitud del alargador y del amperaje nominal de la placa de identificación. En caso de duda, utilice el de mayor calibre. Cuanto más pequeño es el número del calibre, más resistente es el alargador.

#### Calibre mínimo para cordones de extensión

| Volts | Longitud total del cordón en metros |           |           |           |
|-------|-------------------------------------|-----------|-----------|-----------|
| 120V  | 0-7,6                               | 7,6-15,2  | 15,2-30,4 | 30,4-45,7 |
| 240V  | 0-15,2                              | 15,2-30,4 | 30,4-60,9 | 60,9-91,4 |

#### Amperaje

| Más de | No más de | Calibre del cordón AWG |    |    |    |
|--------|-----------|------------------------|----|----|----|
| 0      | - 6       | 18                     | 16 | 16 | 14 |
| 6      | - 10      | 18                     | 16 | 14 | 12 |

#### SEGURIDAD PERSONAL

- **Al utilizar una herramienta eléctrica, esté atento, concéntrese en lo que hace y aplique el sentido común. No utilice la herramienta si se encuentra fatigado o bajo la influencia de drogas, alcohol o fármacos.** Mientras se utilizan herramientas eléctricas, basta un instante de distracción para sufrir lesiones graves.
- **Lleve ropa adecuada. No utilice ropa suelta ni joyas. Recójase el cabello largo. Mantenga el cabello, la ropa y los guantes apartados de las piezas en movimiento.** Las partes móviles pueden atrapar las prendas de vestir sueltas, las joyas y el cabello. Los orificios de ventilación suelen cubrir piezas en movimiento, por lo que también se deben evitar.
- **Evite puestas en marcha accidentales.** Asegúrese de que el interruptor esté apagado antes de enchufar la máquina. Transportar las herramientas con el dedo sobre el interruptor o enchufarlas con el interruptor encendido favorece los accidentes.
- **Antes de poner en marcha la herramienta, retire las llaves de ajuste.** Una llave que se deje en una pieza giratoria de la herramienta puede provocar lesiones.
- **No ponga en peligro su estabilidad. Manténgase siempre bien apoyado y equilibrado.** Un buen apoyo y equilibrio permiten controlar mejor la herramienta si se produce algún imprevisto.
- **Utilice el equipo de seguridad. Lleve siempre lentes protectores.** Cuando sea adecuado, también se debe usar mascarilla antipolvo, zapatos de suela antideslizante, casco o protectores auditivos.

#### USO Y CUIDADOS DE LA HERRAMIENTA

- **Utilice abrazaderas u otro elemento adecuado para sujetar y apoyar la pieza de trabajo en una plataforma estable.** Sujetar la pieza con la mano o contra el cuerpo es inestable y facilita la pérdida de control.
- **No fuerce la herramienta. Emplee la herramienta correcta para cada aplicación.** La herramienta correcta hace el trabajo mejor y más seguro dentro del rango para el que ha sido diseñada.
- **No utilice la herramienta si el interruptor no la enciende y apaga.** Cualquier herramienta que no pueda controlarse con el interruptor es peligrosa y se debe reparar.
- **Desconecte la clavija del enchufe antes de proceder a cualquier ajuste, cambiar un accesorio o guardar la herramienta.** Estas medidas de seguridad preventiva reducen el riesgo de poner en marcha la herramienta accidentalmente.
- Cuando no las utilice, guarde las herramientas fuera del alcance de los niños o de cualquier persona no capacitada. Las herramientas son peligrosas en manos de usuarios no capacitados.
- **Cuide las herramientas. Conserve las herramientas de corte afiladas y limpias.** Unas herramientas adecuadamente cuidadas y con los bordes de corte afilados se atascan menos y son más fáciles de controlar.
- **Compruebe si las piezas móviles se desalinean o atascan, si hay alguna pieza rota o cualquier otra circunstancia que pueda afectar la operación de la herramienta. Si la herramienta está dañada, hágala reparar antes de usarla.** Muchos accidentes los provocan unas herramientas mal cuidadas.
- **Utilice únicamente los accesorios recomendados por el fabricante para su modelo.** Un mismo accesorio puede ser adecuado para una herramienta, pero peligroso si se usa en otra.

#### SERVICIO

- **El servicio a la herramienta sólo debe realizarlo personal cualificado.** El servicio o mantenimiento realizados por personal no calificado puede dar como resultado un riesgo de lesiones.
- **Al proceder al mantenimiento de una herramienta, utilice únicamente refacciones idénticas. Siga las instrucciones de la sección "Mantenimiento" de este manual.** La utilización de piezas no autorizadas, o no respetar las instrucciones de mantenimiento, puede suponer un peligro de choque eléctrico o de lesiones.

### Normas específicas de seguridad adicionales para sierras de vaivén

- **Sujete la herramienta por las superficies aislantes si lleva a cabo una operación en que la herramienta pueda tocar un conductor oculto.** El contacto con un conductor activo provocará que las piezas metálicas de la herramienta conduzcan electricidad y que el operador reciba una descarga eléctrica.

- **Permita que el motor se detenga por completo antes de retirar la hoja de la línea de corte.** Las hojas en movimiento pueden impactar la pieza de trabajo y romperse, dañar la pieza de trabajo o causar la pérdida de control de la herramienta y posibles lesiones corporales.
- **Mantenga las empuñaduras secas, limpias, libres de aceite y grasa.** Esto permitirá un mejor control de la herramienta.
- **Mantenga las hojas afiladas.** Las hojas romas pueden hacer que la sierra se desvíe o estanque bajo presión.
- **Limpie su herramienta con frecuencia, especialmente después de usos prolongados.** El polvo y la arenilla que contienen partículas metálicas se acumulan con frecuencia en las superficies interiores y podrían ocasionar peligro de descarga eléctrica.
- **No opere esta herramienta durante períodos largos de tiempo.** La vibración causada por la acción de operación de esta herramienta puede causar lesiones permanentes a los dedos, las manos y los brazos. Utilice guantes para una mayor amortiguación, tome descansos frecuentes y límite el tiempo de uso diario.

**ADVERTENCIA:** Siempre utilice protección ocular cuando opere esta máquina herramienta.

**ADVERTENCIA:** Parte del polvo generado al lijar, serrar, esmerilar y taladrar con máquinas herramienta, así como al realizar otras actividades del sector de la construcción, contienen productos químicos que pueden producir cáncer, defectos congénitos u otras afecciones reproductivas. Ejemplos de esas sustancias químicas son:

- plomo procedente de pinturas a base de plomo,
- óxido de silicio cristalino procedente de ladrillos, cemento y otros productos de mampostería y
- arsénico y cromo procedentes de madera tratada químicamente (CCA).




El peligro derivado de estas exposiciones que usted enfrente varía en función de la frecuencia con que se realice este tipo de trabajo. Para reducir la exposición a esas sustancias químicas: trabaje en una zona bien ventilada y llevando equipos de seguridad aprobados, como mascarillas antipolvo especialmente diseñadas para filtrar partículas microscópicas.

- **Evite el contacto prolongado con el polvo procedente del lijado, serrado, esmerilado y taladrado eléctricos, así como de otras actividades del sector de la construcción. Lleve ropa protectora y lave con agua y jabón las zonas expuestas.** Si permite que el polvo se introduzca en la boca o los ojos o quede sobre la piel, puede favorecer la absorción de productos químicos peligrosos.

**ADVERTENCIA:** El uso de esta herramienta puede generar o dispersar polvo lo cual puede causar lesiones respiratorias serias y permanentes y otros tipos de lesión. Siempre use protección respiratoria aprobada por NIOSH/OSHA para la exposición al polvo. Dirija las partículas en dirección opuesta a su cara y cuerpo.

**PRECAUCIÓN:** Utilice una protección auditiva apropiada durante el uso. En determinadas condiciones y con utilizaciones prolongadas, el ruido generado por este producto puede favorecer la pérdida de audición.

- La etiqueta de su herramienta puede incluir los siguientes símbolos. Los símbolos y sus definiciones son los siguientes:

|   |                                |                      |                               |
|---|--------------------------------|----------------------|-------------------------------|
| V .....   | voltios                        | A .....              | amperios                      |
| Hz .....  | hertzios                       | W .....              | vatios                        |
| min .....   | minutos                        | ~ .....              | corriente alterna             |
| ==== .....  | corriente directa              | n <sub>o</sub> ..... | velocidad sin carga           |
|  ..... | construcción de Clase II       | .../min .....        | revoluciones por minuto       |
|  ..... | terminal con conexión a tierra | sfpm .....           | pies de superficie por minuto |
|  ..... | símbolo de alerta de seguridad |                      |                               |

### COMPONENTES

- A. Conmutador tipo gatillo
- B. Botón del seguro
- C. Cuadrante de control de velocidad
- D. Palanca de la hoja
- E. Palanca de bisel
- F. Base
- G. Palanca de corte
- H. Control para el soplador de polvo
- I. Cubierta protectora de la base
- J. Accesorio anti-astillas

### Motor

Su herramienta DEWALT viene con un motor fabricado por DEWALT. Compruebe que su suministro eléctrico concuerde con el indicado en la placa nominal.

Voltios 50/60 Hz o "sólo AC" significa que su herramienta debe operarse con corriente alterna y nunca con corriente continua. Voltios DC-60 Hz ó AC/DC significa que su herramienta puede ser operada con corriente alterna o continua.

Una reducción de voltaje superior al 10% provocará pérdida de potencia y sobrecalentamiento. Todas las herramientas DEWALT vienen probadas de fábrica; si esta herramienta no funciona, revise el abastecimiento eléctrico.

### FUNCIONAMIENTO

#### Conmutador tipo gatillo (Fig. 1)

Para arrancar la sierra de vaivén, apriete el conmutador tipo gatillo (A).

Para hacer que la sierra opere a una velocidad menor y detenerla completamente, suelte el conmutador tipo gatillo.

Para una operación continua, apriete el conmutador tipo gatillo y luego presione el botón del seguro (B). Una vez presionado el botón del seguro, suelte el conmutador tipo gatillo.

Para dejar de operar continuamente la sierra, apriete el gatillo y el seguro se desactivará.

#### Conmutador de velocidad variable (Fig. 1, 2)

La velocidad variable se controla en una de dos formas: con el cuadrante de control de velocidad (C) o con el conmutador tipo gatillo (A).

#### CUADRANTE DE CONTROL DE VELOCIDAD

Al girar el cuadrante de control de velocidad (C) en cualquiera de las dos direcciones, ajustará la velocidad máxima u oscilaciones por minuto a la cual corta la hoja. El cuadrante de control de velocidad ajusta la velocidad a la cual corta la hoja, de aproximadamente 500 SPM en la velocidad A, a aproximadamente 3100 SPM en la velocidad F.

#### CONMUTADOR TIPO GATILLO

Al presionar el conmutador tipo gatillo, las oscilaciones por minuto seguirán aumentando pero no sobrepasarán la configuración máxima del cuadrante de control de velocidad. Al soltar el gatillo, las oscilaciones por minuto de la hoja disminuirán.

#### Instalación y desinstalación de la hoja (Fig. 3)

**PRECAUCIÓN:** Apague y desenchufe la herramienta antes de realizar cualquier ajuste o de instalar/desinstalar accesorios.

#### PARA INSTALAR UNA HOJA

**NOTA:** Esta sierra de vaivén usa sólo hojas para sierra de vaivén con vástagos tipo T.

**NOTA:** La hoja de corte al ras DT2074 sólo puede ser usada con sierras de vaivén marca DEWALT modelos DW331 y DC330.

**NOTA:** Cuando instale hojas de corte al ras (DT2074), se debe retirar el dispositivo contra astillas y la base debe encontrarse en la posición de tope 0° positivo.

1. Levante la palanca sin llave de la hoja (D).
2. Inserte la hoja con vástago tipo T en el mecanismo de sujeción (K) al tiempo que guía la parte posterior de la hoja en la ranura de los rodillos de guía (L).
3. El vástago tipo T debería encontrarse completamente dentro del mecanismo de sujeción como lo muestra la Figura 3.
4. Suelte la palanca sin llave de las hojas.

#### PARA RETIRAR UNA HOJA

1. Levante la palanca sin llave de la hoja (D).
2. Sacuda ligeramente para hacer que la hoja se salga.

**PRECAUCIÓN:** No toque las hojas usadas, puede que estén calientes. Podría resultar en lesiones corporales.

#### Biselado de la base (Fig. 4)

Para desbloquear la base, tire de la palanca de bisel sin llave (E) a un lado.

Para bloquear la base, empuje la palanca de bisel sin llave de modo que vuelva a estar debajo del cuerpo de la sierra de vaivén.

## PARA BISELAR LA BASE

1. Desbloquee la base.
2. Deslícela (F) hacia adelante para liberarla de la posición de tope de 0° positivo.
3. La base puede ser biselada a la izquierda o derecha y tiene topes en 15°, 30° y 45°. La base se puede detener manualmente en cualquier grado entre 0° y 45°.
4. Una vez que el ángulo de bisel deseado sea logrado, bloquee la base en su lugar.

## PARA PONER LA BASE EN 0°

1. Desbloquee la base.
2. Gírela de vuelta a 0°.
3. Deslícela de regreso a la posición de tope en 0° positivo.
4. Bloquee la base.

## Acción de corte – Orbital o recto (Fig. 5)

**▲PRECAUCIÓN:** Verifique que la herramienta no esté bloqueada en **OPERACIÓN CONTINUA** antes de enchufarla a la toma de corriente. Si el conmutador tipo gatillo está bloqueado en **OPERACIÓN CONTINUA**, la herramienta arrancará apenas sea enchufada. Esto podría dañar la herramienta o resultar en lesiones corporales.

Esta sierra de vaivén viene equipada para cortar de cuatro formas, tres tipos de corte orbital y uno recto. La acción orbital tiene un movimiento más agresivo de hoja y está diseñado para cortar materiales blandos como madera o plástico. La acción orbital ofrece un corte más rápido pero menos suave en el material. En una acción orbital, la hoja se mueve hacia adelante durante la oscilación del corte además del movimiento vertical.

**NOTA:** Jamás se deberían cortar metales o maderas duras con acción orbital.

**Para ajustar la acción de corte**, mueva la palanca de acción de corte (G) entre las cuatro posiciones de corte: 0, 1, 2 y 3. La posición 0 es un corte recto. Las posiciones 1, 2 y 3 son de corte orbital. La agresividad del corte aumenta en la medida que la palanca se ajuste de uno a tres, siendo tres el corte más agresivo.

## Soplador de polvo (Fig. 6)

El soplador de polvo ayuda a despejar el área de corte del material de desecho creado por la hoja.

**NOTA:** Cuando corte metales, apague el soplador de polvo para que los fluidos de corte no sean sopladados en dirección opuesta a la hoja.

**Para encender el soplador de polvo**, deslice el control del soplador de polvo (H) completamente hacia arriba.

**Para apagar el soplador de polvo**, deslice el control del soplador de polvo completamente hacia abajo.

## Cubierta protectora removible de la base (Fig. 7)

La cubierta protectora de la base (I) debería ser usada cuando corte superficies que se rallan fácilmente, como aquellas que son laminadas, enchapadas o pintadas.

**Para colocar la cubierta protectora de la base**, ponga la parte delantera de la base de aluminio (F) en la parte delantera de la cubierta protectora de la base (I) y baje la sierra de vaivén. La cubierta protectora de la base se fijará bien a la parte posterior de la base de aluminio.

**Para retirar la cubierta protectora de la base**, tome la cubierta protectora de la base de la parte inferior de ella; sujetando ambas lengüetas posteriores (M), retire la cubierta protectora de la base.

## Dispositivo contra astillas (Fig. 8)

**NOTA:** No use el dispositivo contra astillas con la hoja de corte al ras.

El dispositivo contra astillas (J) se debería utilizar cuando intente minimizar las rasgaduras, especialmente cuando corte superficies enchapadas, laminadas o terminadas, como aquellas que son pintadas. El dispositivo contra astillas debería ser instalado en la cubierta protectora de la base (I). Si no se usa la cubierta protectora de la base, instale el dispositivo contra astillas en la base (F).

## Corte

**▲ADVERTENCIA:** La sierra vaivén no debería operarse si no tiene puesta la base. De lo contrario, podría resultar en lesiones corporales serias.

## CORTES DE ORIFICIOS (FIG. 10)

Un corte de orificio es un método sencillo para hacer un corte interior. La sierra se puede insertar directamente en el panel o tabla sin antes perforarlo para guiar el corte. En los cortes de orificio, mida la superficie a cortar y márquela claramente con un lápiz. Luego incline la sierra hacia adelante hasta que el extremo delantero de la base quede firmemente sentada sobre la superficie de trabajo y la hoja sea capaz de cortar el grosor completo con una oscilación completa. Encienda la herramienta y deje que alcance su velocidad máxima. Sostenga firmemente la sierra y baje el borde posterior de la herramienta lentamente, hasta que la hoja alcance el máximo de profundidad. Sostenga la base al ras de la madera y comience a cortar. No retire la hoja del corte mientras se siga moviendo. La hoja debe detenerse por completo.

## CORTE AL RAS (FIG. 9)

Un corte al ras es necesario cuando se terminen cortes que irán contra una pared u obstáculo, como un respaldo. Una de las formas más sencillas de hacer el corte al ras es usando una hoja para cortes al ras (DT2074). La hoja para cortes al ras ofrece el alcance necesario para cortar hasta el borde delantero de la base de la sierra de vaivén. Retire el dispositivo contra astillas y regrese la base a la posición de tope en 0° positivo antes de instalar y utilizar la hoja de corte al ras. Para un corte de mejor calidad, la hoja de corte al ras debería ser utilizada en la posición 0 u orbital 1.

La hoja de corte al ras no debería ser utilizada para iniciar el corte porque este tipo de hoja no permite que la base sea respaldada por la superficie de trabajo. Siga las prácticas para cortar madera detalladas más abajo.

## CORTE DE MADERA

En todo momento, sostenga correctamente la pieza de trabajo. Use la velocidad mayor para cortar madera. No intente girar la herramienta cuando la hoja esté contra el material a cortar. Esto podría estancar el motor. Coloque la parte delantera de la base en el material al cortar y sostenga la base de la sierra de vaivén firmemente contra la madera mientras la corte. No fuerce la herramienta; deje que la hoja corte a su propia velocidad. Cuando el corte esté completo, apague la sierra de vaivén. Deje que la hoja se detenga completamente y luego ponga la sierra a un lado antes de liberar la pieza.

## CORTE DE METALES

Cuando corte láminas de metal, es mejor si sujeta una pieza de madera a la parte de abajo de la lámina; esto asegurará que se haga un corte limpio sin riesgo de vibración o rasgadura del metal. Siempre recuerde usar una hoja más fina para metales ferrosos (para aquellos que contienen mucho hierro); y use una hoja más gruesa para metales no ferrosos (que no contienen hierro). Use la velocidad mayor para cortar metales blandos (aluminio, cobre, latón, acero suave, cañería galvanizada, ductos de láminas de metal, etc.). Use la velocidad menor para cortar plásticos, azulejos, superficies laminadas, metales duros y hierro fundido.

## MANTENIMIENTO

### Limpieza

**▲PRECAUCIÓN:** Nunca use disolventes ni otros productos fuertes para la limpieza de las piezas no metálicas de la herramienta. Estos compuestos químicos pueden debilitar los materiales plásticos usados en estas piezas. Use un paño humedecido sólo con agua y jabón suave. No use gasolina, trementina, laca o diluyente de pintura, químicos de lavado en seco o productos similares. Jamás permita que le entre líquido a la herramienta; nunca sumerja ninguna parte de la herramienta.

### Lubricación

**NOTA:** NUNCA rocíe o aplique en ninguna otra forma lubricantes o solventes de limpieza dentro de la herramienta. Esto puede afectar seriamente la duración y el desempeño de la herramienta.

Las herramientas DEWALT vienen debidamente lubricadas de la fábrica y están listas para usarse. Sin embargo, se recomienda que una vez al año un lleve o envíe la herramienta a un centro de servicio certificado para una inspección y limpieza a fondo.

## Reparaciones

Para garantizar la SEGURIDAD y la CONFIABILIDAD, deberán hacerse reparaciones, mantenimiento y ajustes de esta herramienta en los centros autorizados de servicio DEWALT u otras organizaciones autorizadas. Estas organizaciones prestan servicio a las herramientas DEWALT y emplean siempre refacciones legítimas DEWALT.

## ACCESORIOS

Los accesorios recomendados para su herramienta están disponibles por un cargo adicional en su distribuidor o centro de servicio autorizado local. Si usted necesita ayuda para encontrar un accesorio para su herramienta, contacte a: DEWALT Industrial Tool Co., 701 East Joppa Road, Baltimore, MD 21286 o diríjase al centro de servicio más cercano.

**NOTA:** La hoja para corte al ras DT2074 sólo puede utilizarse con las sierras de vaivén DEWALT DW331 y DC330.

**▲PRECAUCIÓN:** El uso de cualquier accesorio que no sea recomendado para ser utilizado con esta herramienta podría ser peligroso.

## ADAPTADOR PARA ASPIRADORAS Y GUARDERA (OPCIONAL)

La colección de astillas sólo funciona cuando se conecta una aspiradora de taller a la unidad por medio del adaptador para aspiradoras (N). Para lograr la colección de astillas más eficiente, la guardera (O) debería instalarse en la parte de adelante de la unidad (Fig. 11).

**NOTA:** La sierra de vaivén debe estar en la posición de tope 0° positivo antes de instalar la guardera.

**Para instalar el adaptador para aspiradoras**, inserte el adaptador de aspiradoras (N) a la parte posterior de la base de la sierra de vaivén (F). El adaptador para aspiradoras encajará en su lugar.

**Para quitar el adaptador para aspiradoras**, empuje la lengüeta del adaptador (P) hacia adentro y retírela.

**Para instalar la guardera (O)**, presiónela contra la parte de adelante de la sierra de vaivén. Observe que la base debe estar en la posición de tope 0° positivo para conectar y usar la guardera.

**Para quitar la guardera**, tire de ella de un lado por vez.

## Póliza de Garantía

IDENTIFICACIÓN DEL PRODUCTO:

Sello o firma del Distribuidor.

Nombre del producto: \_\_\_\_\_ Mod./Cat.: \_\_\_\_\_

Marca: \_\_\_\_\_ Núm. de serie: \_\_\_\_\_

(Datos para ser llenados por el distribuidor)

Fecha de compra y/o entrega del producto: \_\_\_\_\_

Nombre y domicilio del distribuidor donde se adquirió el producto: \_\_\_\_\_

Este producto está garantizado por un año a partir de la fecha de entrega, contra cualquier defecto en su funcionamiento, así como en materiales y mano de obra empleados para su fabricación. Nuestra garantía incluye la reparación o reposición del producto y/o componentes sin cargo alguno para el cliente, incluyendo mano de obra, así como los gastos de transportación razonablemente erogados derivados del cumplimiento de este certificado.

Para hacer efectiva esta garantía deberá presentar su herramienta y esta póliza sellada por el establecimiento comercial donde se adquirió el producto, de no contar con ésta, bastará la factura de compra.

## EXCEPCIONES.

Esta garantía no será válida en los siguientes casos:

- Cuando el producto se hubiese utilizado en condiciones distintas a las normales;
- Cuando el producto no hubiese sido operado de acuerdo con el instructivo de uso que se acompaña;
- Cuando el producto hubiese sido alterado o reparado por personas distintas a las enlistadas al final de este certificado.

Anexo encontrará una relación de sucursales de servicio de fábrica, centros de servicio autorizados y franquiciados en la República Mexicana, donde podrá hacer efectiva su garantía y adquirir partes, refacciones y accesorios originales.

## Garantía limitada por tres años

DEWALT reparará, sin cargo, cualquier falla que surja de defectos en el material o la fabricación del producto, por hasta tres años a contar de la fecha de compra. Esta garantía no cubre fallas de las piezas causadas por su desgaste normal o abuso a la herramienta. Para mayores detalles sobre la cobertura de la garantía e información acerca de reparaciones realizadas bajo garantía, visítenos en [www.dewalt.com](http://www.dewalt.com) o diríjase al centro de servicio más cercano. Esta garantía no aplica a accesorios o a daños causados por reparaciones realizadas o intentadas por terceros. Esta garantía le otorga derechos legales específicos, además de los cuales puede tener otros dependiendo del estado o provincia en que se encuentre.

Además de la garantía, las herramientas DEWALT están cubiertas por:

### 1 AÑO DE SERVICIO GRATUITO

DEWALT mantendrá la herramienta y reemplazará las piezas gastadas por su uso normal, sin cobro, en cualquier momento durante un año a contar de la fecha de compra.

### GARANTÍA DE REEMBOLSO DE SU DINERO POR 90 DÍAS

Si no está completamente satisfecho con el desempeño de su máquina herramienta, láser o clavadora DEWALT, cualquiera sea el motivo, podrá devolverlo hasta 90 días de la fecha de compra con su recibo y obtener el reembolso completo de su dinero – sin necesidad de responder a ninguna pregunta.

**PRODUCTO REACONDICIONADO:** Los productos reacondicionados están cubiertos bajo la Garantía de 1 Año de Servicio Gratuito. La Garantía de 90 Días de Reembolso de su Dinero y la Garantía Limitada de Tres Años no aplican a productos reacondicionados.

**SUSTITUCIÓN GRATUITA DE LAS ETIQUETAS DE ADVERTENCIA:** Si sus etiquetas de advertencia se vuelven ilegibles o se pierden, llame al 1-800-544-6986 para conseguir repuestos gratuitos.



## PARA REPARACIÓN Y SERVICIO DE SUS HERRAMIENTAS ELÉCTRICAS, FAVOR DE DIRIGIRSE AL CENTRO DE SERVICIO MÁS CERCANO

|  |                  |
|--|------------------|
| <b>CULIACAN, SIN</b><br>Av. Nicolás Bravo #1063 Sur - Col. Industrial Bravo      | (667) 7 12 42 11 |
| <b>GUADALAJARA, JAL</b><br>Av. La Paz #1779 - Col. Americana Sector Juárez       | (33) 3825 6978   |
| <b>MEXICO, D.F.</b><br>Eje Central Lázaro Cárdenas No. 18 - Local D, Col. Obrera | (55) 5588 9377   |
| <b>MERIDA, YUC</b><br>Calle 63 #459-A - Col. Centro                              | (999) 928 5038   |
| <b>MONTERREY, N.L.</b><br>Av. Francisco I. Madero No.831 - Col. Centro           | (81) 8375 2313   |
| <b>PUEBLA, PUE</b><br>17 Norte #205 - Col. Centro                                | (222) 246 3714   |
| <b>QUERETARO, QRO</b><br>Av. Madero 139 Pte. - Col. Centro                       | (442) 214 1660   |
| <b>SAN LUIS POTOSI, SLP</b><br>Av. Universidad 1525 - Col. San Luis              | (444) 814 2383   |
| <b>TORREON, COAH</b><br>Blvd. Independencia, 96 Pte. - Col. Centro               | (871) 716 5265   |
| <b>VERACRUZ, VER</b><br>Prolongación Díaz Mirón #4280 - Col. Remes               | (229) 921 7016   |
| <b>VILLAHERMOSA, TAB</b><br>Constitución 516-A - Col. Centro                     | (993) 312 5111   |

**PARA OTRAS LOCALIDADES LLAME AL: (55) 5326 7100**

### Especificaciones

|                          |                    |
|--------------------------|--------------------|
| Tensión de alimentación: | DW331<br>120 V CA~ |
| Consumo de corriente:    | 6.5 A              |
| Frecuencia de operación: | 50/60 Hz           |
| Potencia nominal:        | 702 W              |
| Rotación sin carga:      | 500-3 100 spm      |

IMPORTADOR: DEWALT S.A. DE C.V.  
BOSQUES DE CIDROS ACCESO RADIAS NO. 42  
COL. BOSQUES DE LAS LOMAS, 3A. SECCIÓN, CP 05120  
DELEGACIÓN CUAJIMALPA, MÉXICO, D.F.  
TEL. 5 326 7100  
R.F.C.: BDE810626-1W7

Para servicio y ventas consulte  
"HERRAMIENTAS ELÉCTRICAS"  
en la sección amarilla.



## Free Manuals Download Website

<http://myh66.com>

<http://usermanuals.us>

<http://www.somanuals.com>

<http://www.4manuals.cc>

<http://www.manual-lib.com>

<http://www.404manual.com>

<http://www.luxmanual.com>

<http://aubethermostatmanual.com>

Golf course search by state

<http://golfingnear.com>

Email search by domain

<http://emailbydomain.com>

Auto manuals search

<http://auto.somanuals.com>

TV manuals search

<http://tv.somanuals.com>