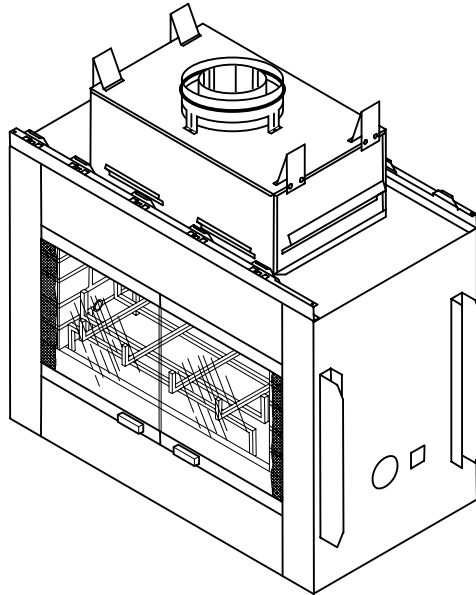




SEE-THROUGH WOOD BURNING FIREPLACE INSTALLATION AND OPERATING INSTRUCTIONS

For more information, visit www.desatech.com



This wood burning fireplace complies with UL 127 as a FACTORY BUILT FIREPLACE and is listed and tested by Underwriters Laboratories Inc.

THE SAVANNAH Model V3610ST

SAVE THIS BOOK

This book is valuable. In addition to instructing you on how to install and maintain your fireplace, it also contains information that will enable you to obtain replacement parts or optional accessory items when needed. Keep it with your other important papers.

FOR YOUR SAFETY

Do not store or use gasoline or other flammable vapors and liquids in the vicinity of this or any other appliance.

Check local codes before installing this fireplace.

WARNING: Improper installation, adjustment, alteration, service, or maintenance can cause injury or property damage, or loss of life. Refer to this manual for correct installation and operational procedures. For assistance or additional information consult a qualified installer, service agency, or the gas supplier.

WARNING: This fireplace is intended for use with wood, or if a decorative gas appliance is installed, burn propane or natural gas only.

WARNING: Always leave glass doors fully opened or fully closed when operating the appliance.

Save this manual for future reference.



TABLE OF CONTENTS

PRODUCT DIMENSIONS	2	VENTING INSTALLTION	8
INTRODUCTION	3	OPERATING GUIDELINES AND MAINTENANCE	
SAFETY INFORMATION	3	INSTRUCTIONS	14
BEFORE YOU BEGIN	3	TECHNICAL SERVICE	15
FIREPLACE INSTALLATION	4	REPLACEMENT AND ACCESSORY PARTS	16
OUTSIDE AIR KIT INSTALLATION	7	OWNER'S REGISTRATION FORM	17
GAS LINE INSTALLATION	7		

PRODUCT DIMENSIONS

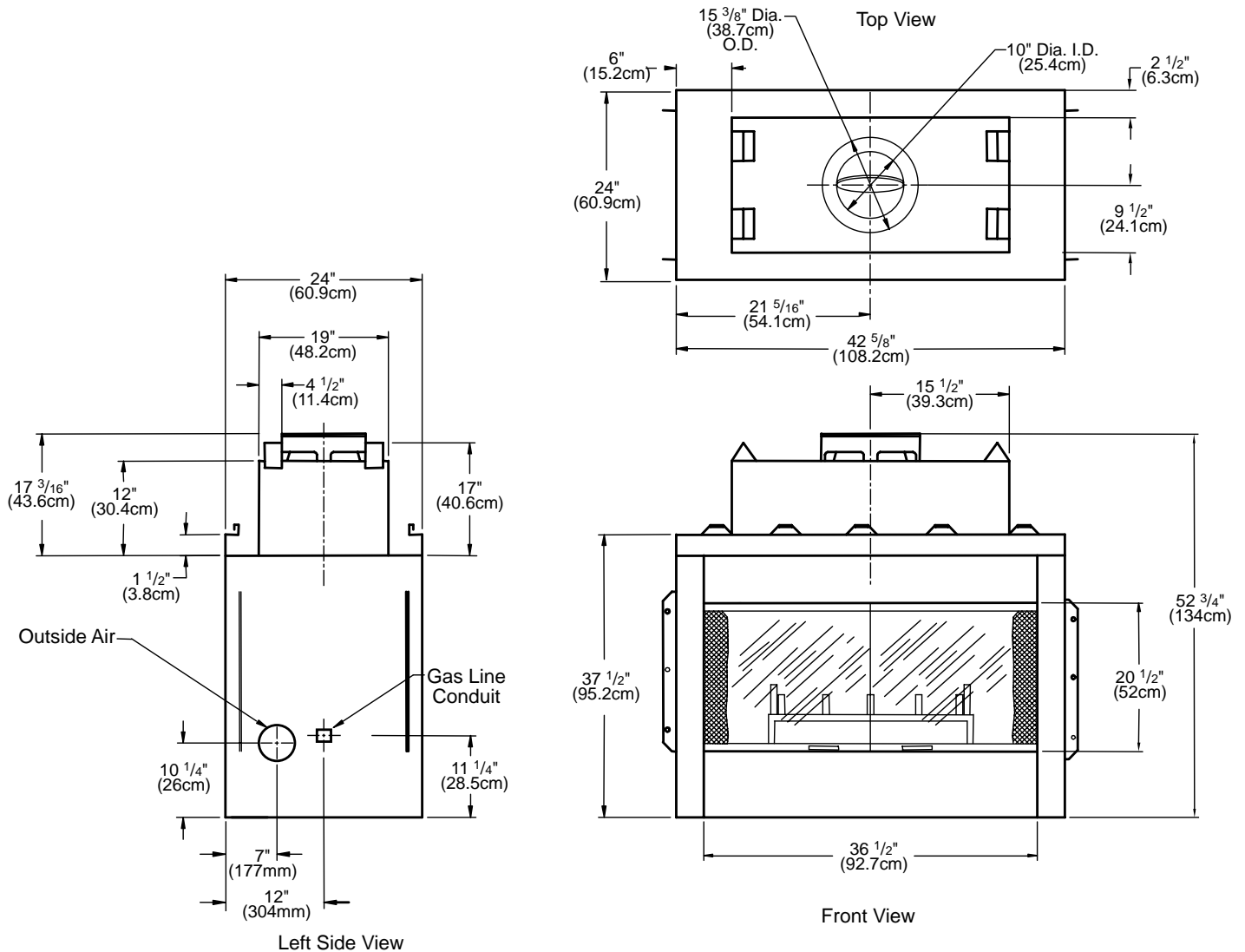


Figure 1 - Product Dimensions

INTRODUCTION

Model V3610ST series is a wood-burning fireplace intended and approved for installation in either residential homes or buildings of standard construction. This fireplace system requires the utilization of a DESA 10" double wall, snap-lock flue pipe system.

GLASS DOORS are optional with this fireplace and come in different styles. For further details (see page 14).

BE SURE TO CHECK WITH YOUR LOCAL BUILDING CODES FOR AREA REQUIREMENTS BEFORE INSTALLING THIS FIREPLACE.

SAFETY INFORMATION

IMPORTANT: Read this owner's manual carefully and completely before trying to assemble, operate, or service this fireplace. Improper use of this fireplace can cause serious injury or death from burns, and fire.

1. This fireplace reaches high temperatures. Keep children and adults away from hot surfaces to avoid burns or clothing ignition. Fireplace will remain hot for a time after shutdown. Allow surfaces to cool before touching.
2. Carefully supervise young children when they are in the room with fireplace.
3. Do not modify this fireplace under any circumstances. Any parts removed for servicing must be replaced prior to operating fireplace.
4. Let fireplace cool before servicing, repairing, or installing accessories. Only a qualified service person should install, service, or repair this fireplace. Have fireplace inspected annually by a qualified service person.
5. Keep the area around your fireplace clear of combustible materials, gasoline, and other flammable vapor and liquids. Do not operate fireplace where these are used or stored. Do not place items such as clothing or decorations on or around fireplace.
6. Do not connect this fireplace to a chimney system other than a DESA chimney system.
7. Due to high temperatures, do not locate this fireplace in high traffic areas or near furniture and draperies.
8. Provide adequate clearances around air openings into the combustion chamber. NEVER obstruct the front openings of the fireplace or the flow of combustion and ventilation air. Install in an area providing ventilation and adequate combustion air.

BEFORE YOU BEGIN

Before beginning the installation of your fireplace, read these instructions thoroughly. This DESA fireplace and its approved components are safe when installed according to this installation manual, and operated as recommended by DESA. Unless you use DESA approved components tested for this fireplace, **YOU MAY CAUSE A FIRE HAZARD!**

The DESA warranty will be voided by, and DESA disclaims any responsibility for the following actions:

- A) Modification of the fireplace or any of the components manufactured by DESA unless otherwise permitted in writing by DESA.
- B) The use of a fireplace insert or any component part not approved by DESA in combination with DESA fireplace.
- C) Installation and/or operation in a manner other than instructed in this manual.
- D) The burning of any other fuel not tested or approved by DESA in this wood burning fireplace.

PROPER INSTALLATION is the most important step in ensuring a safe and continuous operation of this fireplace. Although grounding may not be required by code in your area, it must be electrically grounded in accordance with local codes or, in the absence of local codes, with the *National Electrical Code, ANSI/NFPA 70-1990*.

This fireplace is intended for installation in accordance with the *National Fire Protection Association Standard for Chimneys, Fireplaces, Vents and Solid-Fuel Burning Fireplaces, NFPA 211*, and in accordance with codes such as the *BOCA Basic/National Code*, the *Standard Mechanical Code*, and the *Uniform Building Code*.

THIS FIREPLACE IS NOT INTENDED TO BE USED AS A PRIMARY SOURCE OF HEAT.

NOTE: Installation and repair should be done by a qualified installer familiar with the fireplace. The fireplace and chimney system should be inspected and cleaned before use and periodically thereafter especially during heating season to prevent the excessive buildup of soot and creosote and to ensure a safe operating system.

FIREPLACE INSTALLATION

SELECTING LOCATION

To determine the safest and most efficient location for your fireplace, you must take into consideration the following guidelines:

1. The location must allow for all the proper clearances (see Figure 2).
2. Consider a location where the heat output would not be affected by drafts, air conditioning ducts, windows or doors.
3. A location that avoids the cutting of joists or roof rafters will make installation easier.
4. If an outside air kit is to be installed, accessibility to outside combustion air must be considered. This can also be achieved through a vented crawl space in some cases, for more details refer to the section on outside air kit installation.

The typical installation for a V3610ST is a projected installation, which allows you to extend the fireplace any distance into the room. A projection may be ideal for a new addition on an existing, finished wall.

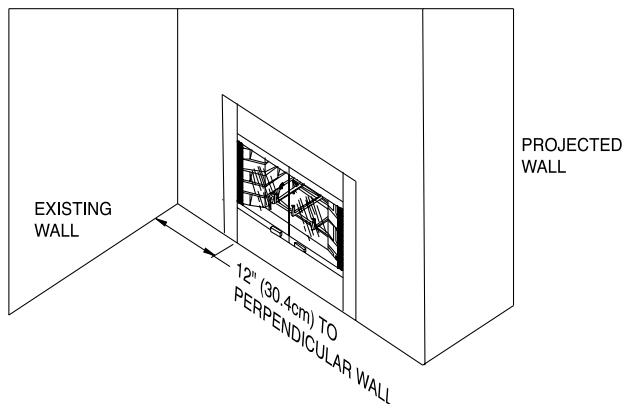


Figure 2 - Plan View of Common Location

CLEARANCES

MINIMUM CLEARANCES TO COMBUSTIBLES

Back	1" Min.
Adjacent Wall	12" Min.
Chimney Outer Pipe Surfaces	2" Min.
Bottom Of Fireplaces To Floor	0" Min.

CAUTION: Do not block required air spaces with insulation or any other material. Do not obstruct effective opening of fireplace with any type of facing material. Combustible material must not be in contact with the black front face of the fireplace.

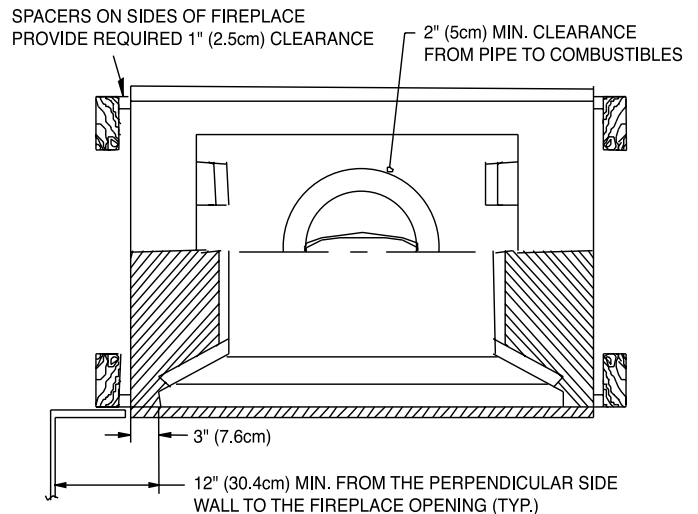


Figure 3 - Fireplace Clearances

MANTLE CLEARANCES

Woodwork, such as wood trims, mantles, and other combustible materials, should not be placed within 9 inches of the effective opening of this fireplace.

Combustible material above and projecting more than 1 1/2 inches from the fireplace's front face (see Figure 4, page 5), should not be placed less than 12 inches from the effective opening of the fireplace (Ref: NFPA std.7-3.3.3.).

Mantles or any other combustible material may also come up to the side edge of the black metal face of the fireplace, but only if the projection from the front face falls within the limits shown in Figure 5, page 5.

FIREPLACE INSTALLATION

Continued

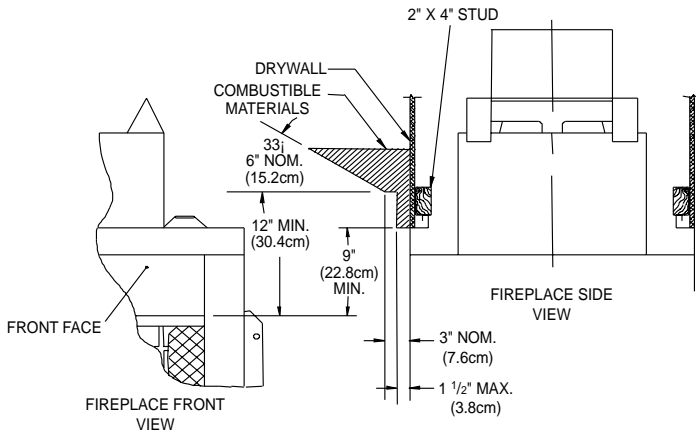


Figure 4 - Mantel Clearances

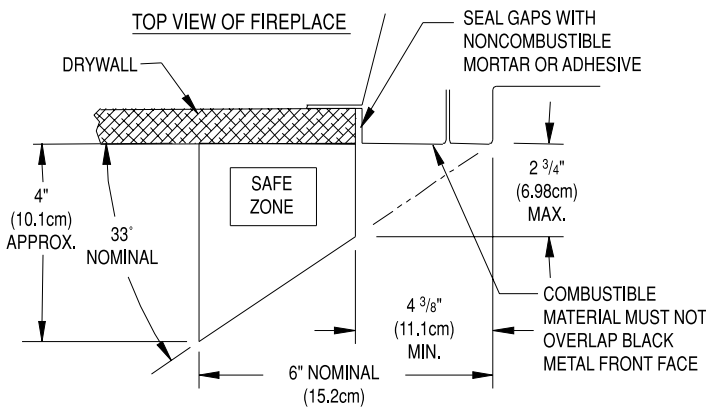


Figure 5 - Mantel Clearances

FRAMING

If the fireplace is to be installed directly on carpeting, tile (other than ceramic), or any combustible material other than wood flooring, the fireplace must be installed upon a metal or wood panel extending the full width and depth of the fireplace.

Construct framing using dimensions shown in Figures 6, 7, and 8, depending on your particular installation.

Before securing fireplace to prepared framing, the ember protector (provided) must be placed between hearth extensions (not supplied), and bottom front edge of the fireplace to protect against glowing embers (see Figure 9, page 6). If the fireplace is to be installed on a raised platform, a "Z"-type ember protector (not supplied) must be fabricated to fit your required platform height (see Figure 8). The ember protector should be made of 28 gauge minimum, galvanized sheet metal to prevent corrosion.

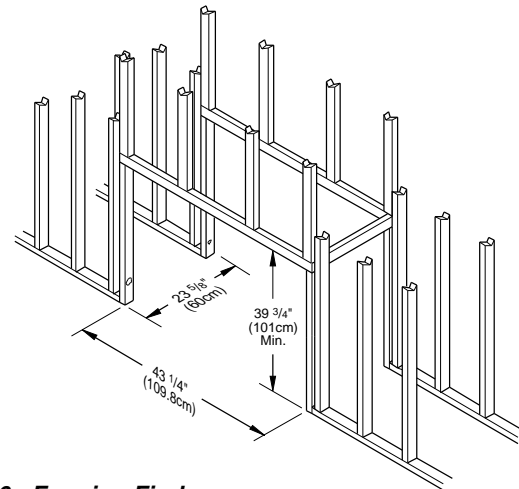


Figure 6 - Framing Firebox

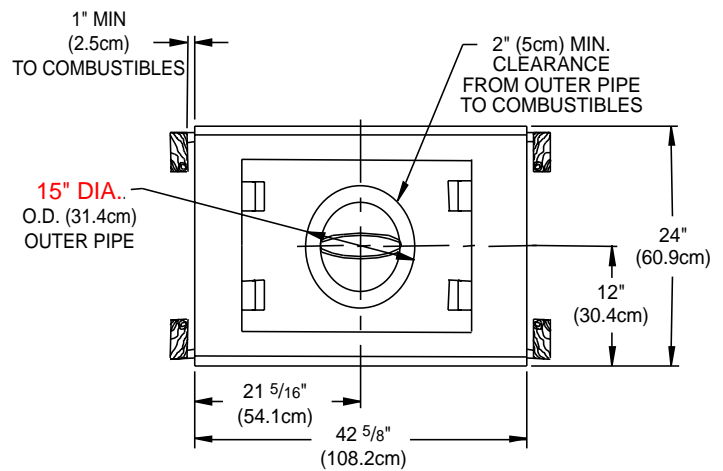


Figure 7 - Framing Clearances

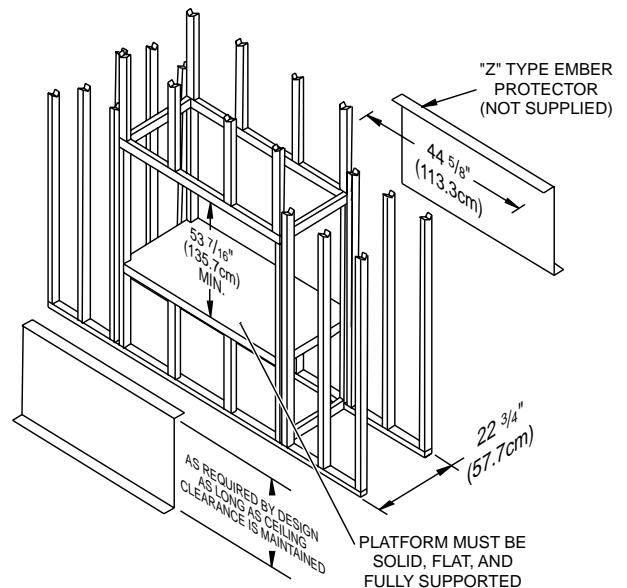


Figure 8 - Framing Firebox With "Z" Type Ember Protectors

FIREPLACE INSTALLATION

Continued

Secure fireplace to prepared framing at nailing flanges located at the sides of fireplace as shown in Figure 10.

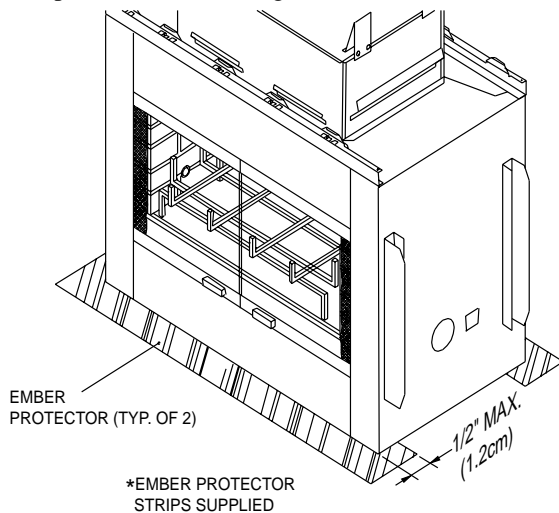


Figure 9 - Ember Protectors

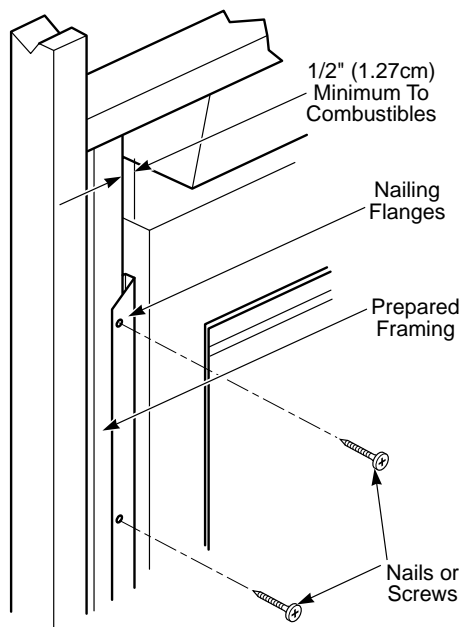


Figure 10 - Nailing Flanges

HEARTH EXTENSIONS

A hearth extension is required to protect the combustible floor surrounding your fireplace. You may obtain kit No. HE-3610ST or you may fabricate your own per the dimensions shown on Figure 10.

The hearth extension must project a minimum of 16 inches from the front of the fireplace and a minimum of 8 inches beyond each side of the fireplace opening (see Figure 11).

If a hearth extension is to be field constructed, it must be made of noncombustible inorganic material having an effective thermal conductivity "K" of 0.84 BTU In/Ft² Hr.F or least at 1.0 inch thickness.

Thermal conductivity "K" of materials can be obtained from the manufacturer or supplier or the noncombustible material.

The minimum required thickness for any material could be obtained by the following formula:

$$\frac{\text{K factor} \times 1.0 \text{ inch}}{0.84} = \text{Thickness required}$$

If the hearth extension is to be raised, a "Z" type ember protector must be used (see Figure 8, page 5, and Figure 12).

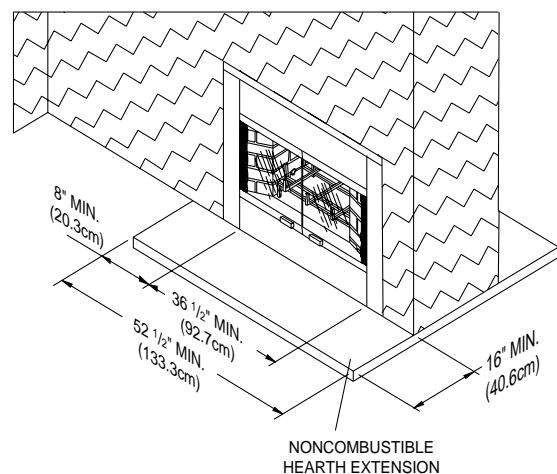


Figure 11 - Hearth Extension

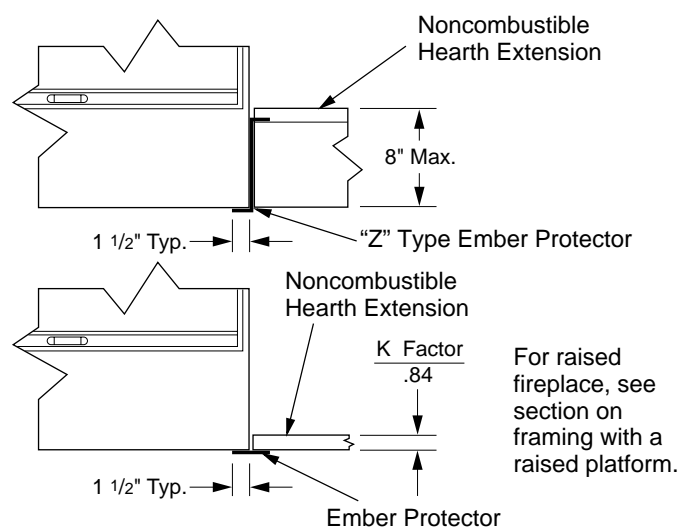


Figure 12 - Raised Hearth Extension

OUTSIDE AIR KIT INSTALLATION

The installation of the outside air kit must be installed during the rough framing of the fireplace due to the nature of its location. Outside combustion air can be accessed through an exterior wall or a vented crawl space (see Figure 13).

CAUTION: Air inlet ducts must not terminate in attic space.

The maximum height for the air inlet above the platform of fireplace is a minimum of 3 feet below the chimney cap.

For further details on the installation of the outside air kit, please refer to the instructions included with the air kit.

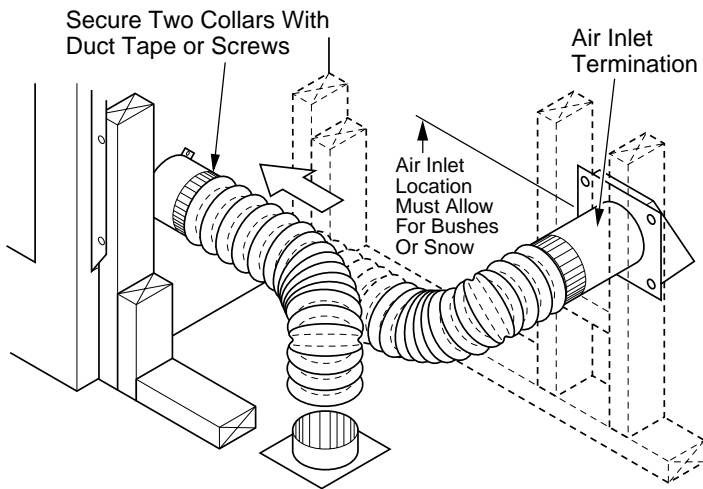


Figure 13 - Air Kit Installation

GAS LINE INSTALLATION

WARNING: A qualified service person must connect fireplace to gas supply. Follow all local codes.

NOTICE: BEFORE YOU PROCEED, MAKE SURE YOUR GAS SUPPLY IS OFF!

A gas line may be installed for the purpose of installing a vented or vent-free decorative gas appliance available through your local distributor. Use only gas piping approved by local codes. When installing a gas line, a shutoff valve designed for installation outside the appliance is recommended.

The gas pipe is intended for connection to a decorative gas appliances that operate from natural or propane/LP fuel only: (1), incorporating an automatic shutoff device and, (2), complying with the *Standard for Decorative Gas Appliances for Installation in Vented Fireplace, ANSI Z21.60-1990*. ONLY UNVENTED GAS LOG SETS WHICH HAVE BEEN FOUND TO COMPLY WITH THE STANDARD

FOR UNVENTED ROOM HEATERS, ANSI/AS\AGA Z21.11.2, ARE TO BE INSTALLED IN THIS FIREPLACE.

- To install, remove the knockout indentation on the refractor (or firebrick) wall located approximately 2 inches above the refractory hearth floor. The knockout indentation must be firmly tapped with any solid object until it is released. Remove fragmented portion of refractory (see Figure 14).
- Remove gas line cover plate on rear of fireplace and pull out insulation from gas line conduit sleeve, save insulation for reuse.
- Run gas line into the fireplace through the rear at 11 $\frac{1}{4}$ " from the floor and through gas line conduit sleeve (if using a raised platform, add height). Provide sufficient gas line into fireplace chamber for fitting connection (see Figure 15).

Note: Secure incoming gas line to wood framing to provide rigidity for threaded end.

- Repack insulation around gas line and into sleeves openings. Seal any gaps between gas line and refractory knockout hole with refractory cement or commercial furnace cement. Install the decorative gas appliance or cap off gas line if desired.

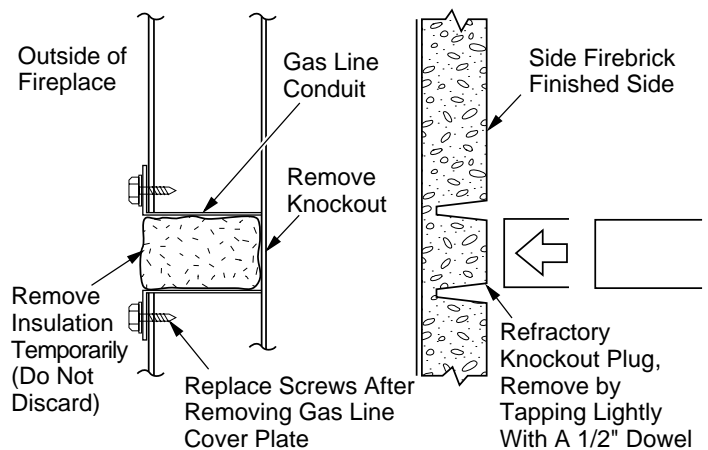


Figure 14 - Removing Knockout for Gas Line Installation

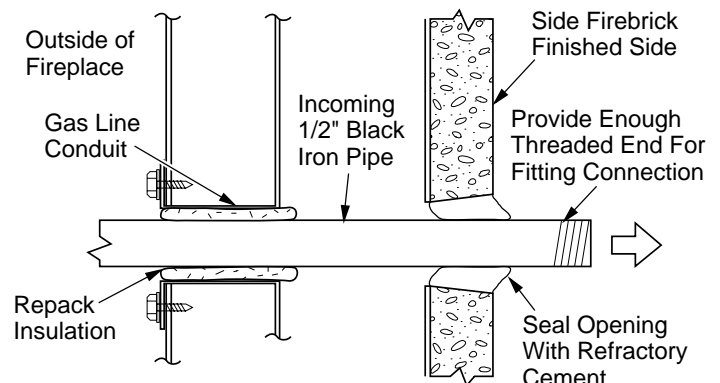


Figure 15 - Running Gas Line

GAS LINE INSTALLATION

Continued

⚠ WARNING: After ensuring that the gas valve is ON, test all gas piping and connections for leaks after installing or servicing. Correct all leaks at once.

⚠ WARNING: Never use an open flame to check for a leak. Apply a noncorrosive leak detection fluid to all joints. Bubbles forming show a leak. Correct all leaks at once.

Note: An appropriate DESA hood (see *Replacement and Accessory Parts*, page 16) must be installed when using an unvented gas log set.

⚠ CAUTION: When using a decorative appliance, the damper must be removed or permanently locked in the open position.

VENTING INSTALLTION

CHIMNEY PIPE INSTALLATION

The DESA chimney system is a snap-lock, double wall pipe. It consists of a stainless steel inner flue pipe(s), a galvanized outer pipe, and a wire spacer.

Each section of pipe comes in lengths of 12, 18, 36, and 48 inches, but the actual lineal gain for each is measured after each section is fully connected. Lineal gain is the actual measurable length of a part after two or more parts are connected.

MODEL NO.	DESCRIPTION	GAIN
V3610ST	See-Through" Fireplace	52 ³ / ₄ "
48-10DM/48-10TM	Flue Pipe	46 ⁵ / ₈ "
36-10DM/48-10TM	Flue Pipe	34 ⁵ / ₈ "
18-10DM/48-10TM	Flue Pipe	16 ⁵ / ₈ "
12-10DM/48-10TM	Flue Pipe	10 ⁵ / ₈ "
ETL-10DM	Chase Style Termination	1" to 12"
RTT-10	Round Top Termination	6"
RTL-10DM	Round Top Termination	7"

PIPE INSTALLATION

Place pipe assembly (inner and outer with wire spacer) over starter collar. Inner pipe(s) fit inside inner pipe(s). Outer pipe fits outside outer pipe.

Begin by aligning hemmed end of inner flue pipe into the inner starting flue pipe of fireplace. Push down until hem "snap-locks" with lances. The outer pipe is just the opposite, the female end has the lances. Continue the same procedure for the outer pipe (see Figure 16). It is important to assure the joints between the chimney sections are fully locked. Check by pulling chimney upward after locking pipe hem(s). The chimney should not come apart if properly locked. It is not necessary to add screws to keep vertical or angled chimney runs together.

⚠ WARNING: The opening around the starter collar on top of the fireplace must never be obstructed. Never use blown insulation to fill the chimney enclosure.

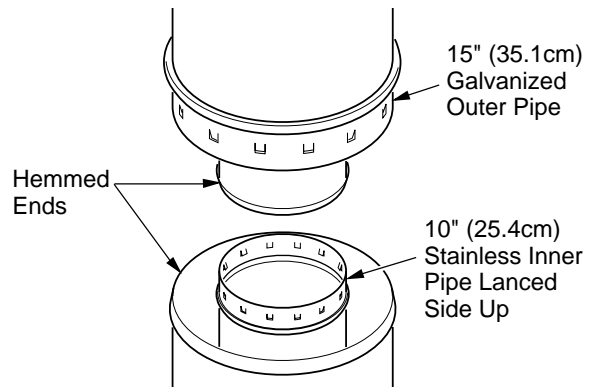


Figure 16 - Pipe Connection

FIRESTOP SPACERS

Firestop spacers are required at each point where the chimney penetrates a floor or ceiling joist space. Their purpose is twofold. They establish and maintain the required clearance between the outer pipe and combustible materials, they also serve as a shield between floors as required by most codes.

When penetrating a floor or ceiling at an angle, use firestop spacer number 30 FS-10DM (see *Replacement and Accessory Parts*, back page).

When the pipe passes through a framed opening into a living space above, a firestop must be placed on the ceiling below (see Figure 17, page 9). When the pipe passes through a framed opening into an attic space above, a firestop must be placed on the attic floor above (see Figure 18, page 9).

VENTING INSTALLTION

Continued

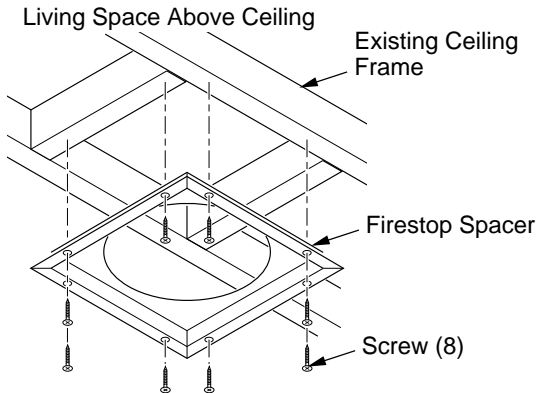


Figure 17 - Firestop Spacer For Living Space

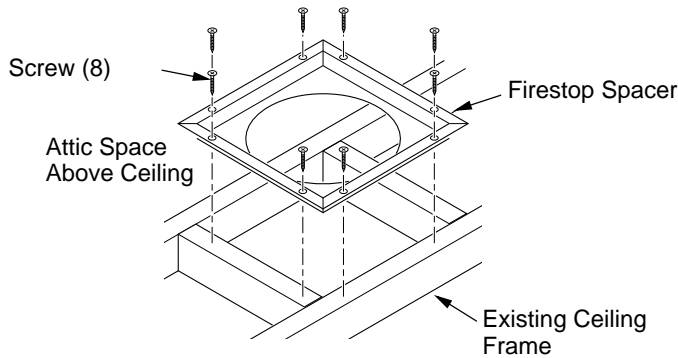


Figure 18 - Firestop Spacer for Attic Space

ELBOW OFFSET INSTALLATION

Chimney weight above offset rests on return elbow. Straps must be secured with nails to rafters or joists (see Figure 19).

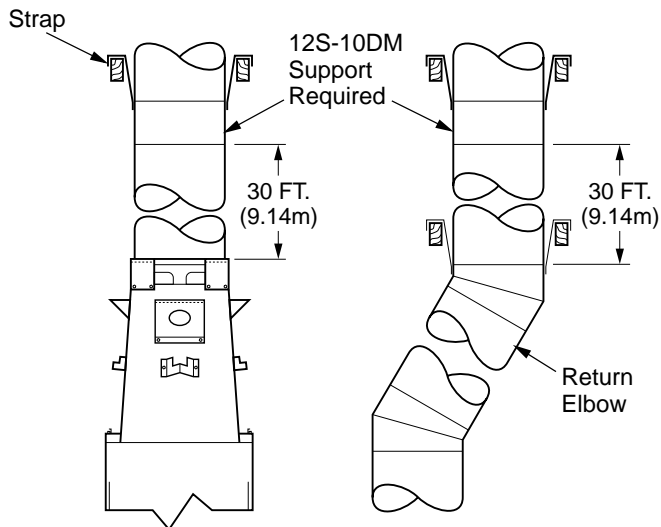


Figure 19 - Elbow Offset

SUPPORT SECTIONS

The chimney support section is a 4-inch strap and 12 inch length of pipe. A chimney support is required every 30 feet above the fireplace after a straight chimney run, or above a return elbow after a straight chimney run (see Figure 20). This support is designed to relieve the extra weight load on the fireplace and elbows when high chimneys are installed.

To achieve desired offset, you may install combinations of 12, 18, 36, and 48 inch lengths of double wall pipe. See Figure 21 and *Rise and Offset Chart* below.

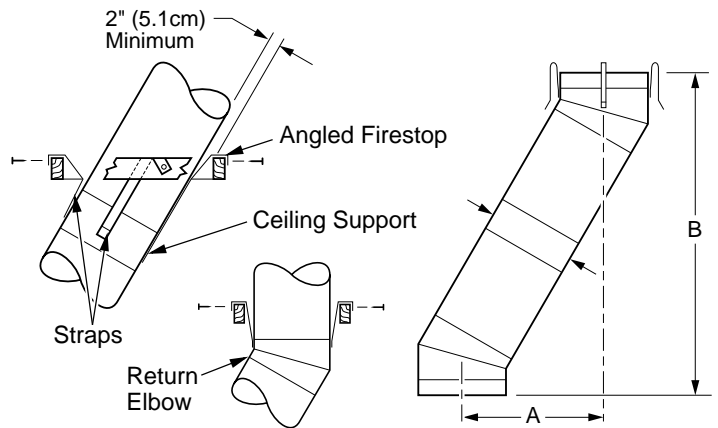


Figure 20 - Chimney Supports

Figure 21 - Rise and Offset

RISE AND OFFSET CHART

A (Offset)	B (Rise)	Length of Pipe			
		48	36	18	12
4 3/8	16 3/8	Elbow Set Only			
9 1/2	25 1/4	1			
12 1/2	30 3/8			1	
14 3/8	34				2
17 5/8	39 1/4			1	1
21 1/2	46	1			
22 3/4	48 1/8			1	2
26 3/8	54 7/8	1			
26 3/8	60		1	1	
31 3/4	63 3/4	1		1	
34 3/4	69	1		1	
38 5/8	75 5/8		2		
39 7/8	77 7/8	1		1	1
43 3/4	84 1/2	1	1		
46 3/4	87 3/4		2	1	
48 7/8	93 3/8	2			

VENTING INSTALLTION

Continued

Maximum length of pipe between supports is 6 feet of angled run. A maximum of two 6 foot angled run sections per chimney system (See Figure 22).

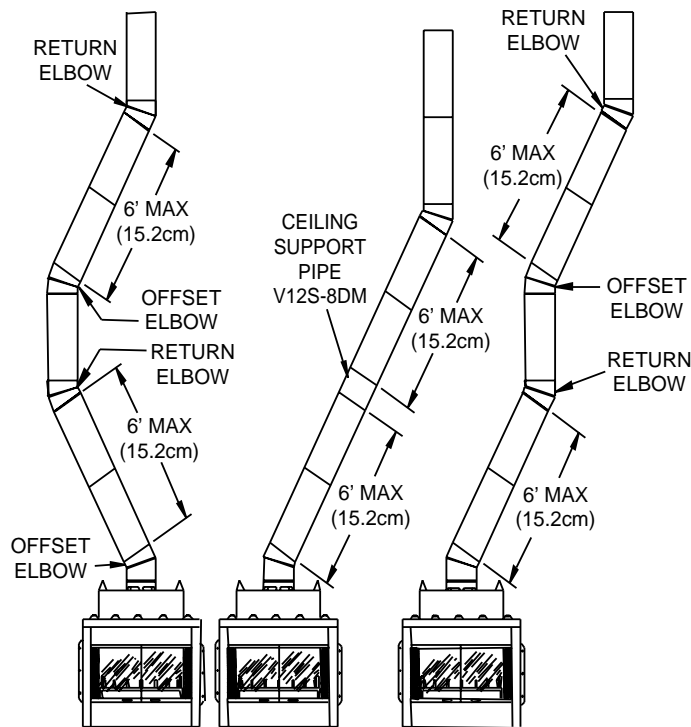


Figure 22 - Typical Offset Installations

FINISHING YOUR CHIMNEY SYSTEM

10 Foot Rule

All chimney terminations must extend a minimum of 3 feet above the highest point where it passes through the roof, and must be at least 2 feet above the roof within a 10 foot horizontal span (see Figure 23).

IMPORTANT: If an exposed portion of chimney is greater than 4 feet above the roof line, use support wires to keep chimney secure. The support wires may be attached to the outer pipe of the chimney with screws, provided the screws do not penetrate the inner flue pipe.

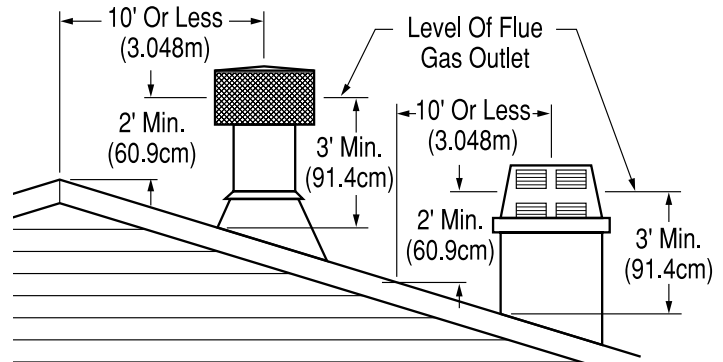


Figure 23 - 10 Foot Rule

Minimum Chimney Height

The minimum chimney height (measured from bottom of fireplace to flue gas outlet-end of pipe) is 16 feet for a straight run, 16 feet minimum for a run with 1 elbow set, and 25 feet minimum for a run with 2 elbow sets. (A set consists of one starter elbow and one return elbow.)

Uncommon circumstances such as neighboring hills, tall trees, or strong wind areas can cause down drafts in the chimney system. In such cases going beyond the minimum recommended height would be preferable to provide a better draw.

Maximum Chimney Height

The fireplace height approved for any chimney run with this fireplace system is 40 feet measured from bottom of fireplace to flue outlet-end of pipe. See Figure 24, page 11

VENTING INSTALLTION

Continued

⚠ WARNING: Do not operate an unvented gas log set in this fireplace with the chimney removed.

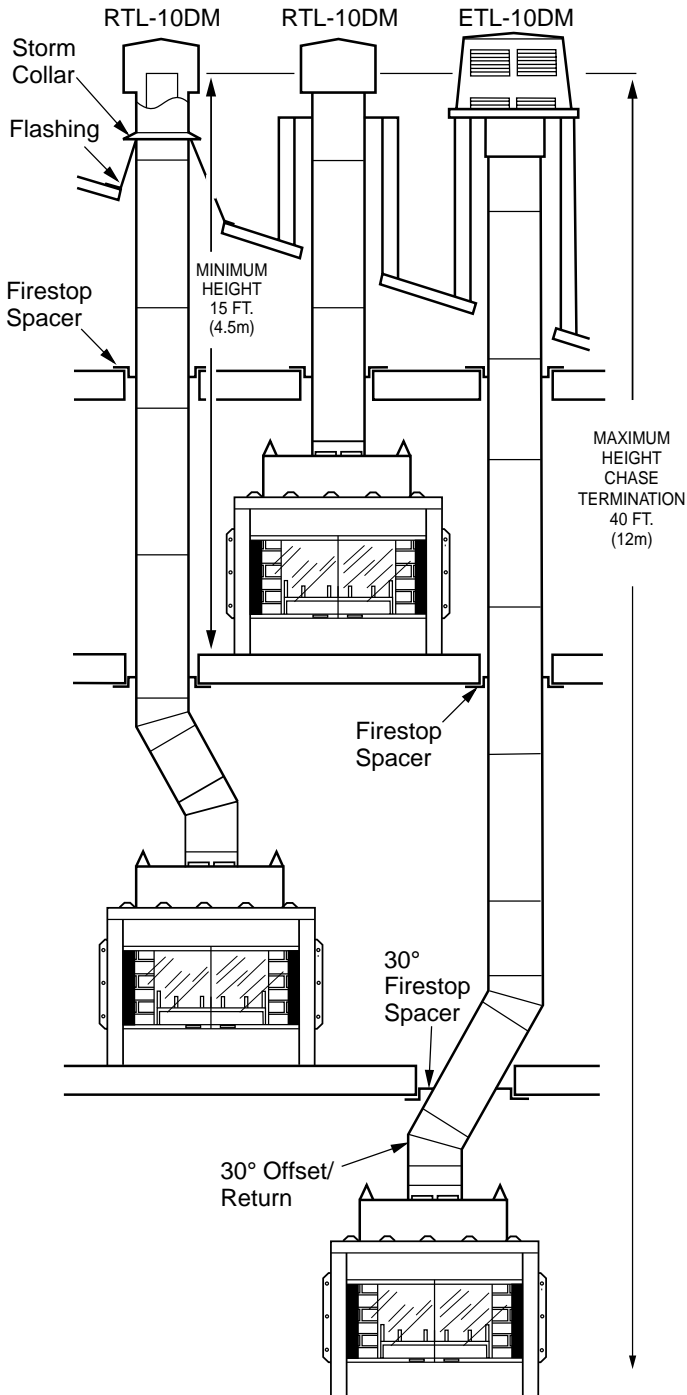


Figure 24 - Maximum Chimney Height

Chimney Maintenance

Have your chimney system cleaned and inspected regularly to ensure safe and efficient operation.

Using Figure 24 and the roof opening chart below, determine the opening that will be required for the pitch of your particular roof.

Roof Opening Chart

PITCH (degrees)	Opening "A" Max. (inches)	Use Flashing Model Number
FLAT	19	6F-10
0-6/12 (26.6 deg. Slope)	23 1/4	6F-10
6/12-12/12 (56.3 deg. Slope)	30 3/4	12F-10
12/12-18/12 (56.3 deg. Slope)	40 1/8	18F-10

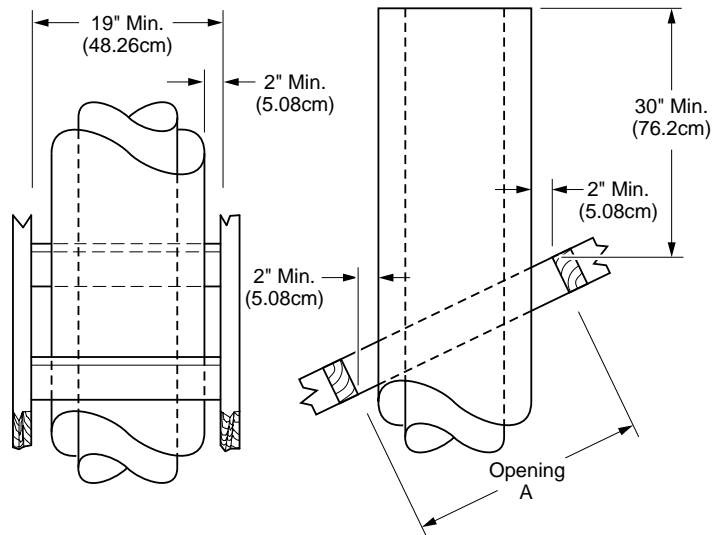


Figure 25 - Roof Opening

Before cutting hole, temporarily remove shingles around area to be opened. After preparing the opening on the roof, continue to add sections of pipe until it extends a minimum of 30 inches above highest point of roof cutout (see Figure 25).

With the termination, the minimum height should add up to 3 feet (see 10-Foot Rule and Figure 22, page 10).

VENTING INSTALLTION

Continued

Flashing Installation

Determine the flashing to be used with the roof opening chart, page 11. Slide flashing over pipe until base is flat against roof. Replace as many shingles as needed to cover exposed area and flashing base. Secure in position by nailing through shingles. **DO NOT NAIL THROUGH FLASHING CONE.**

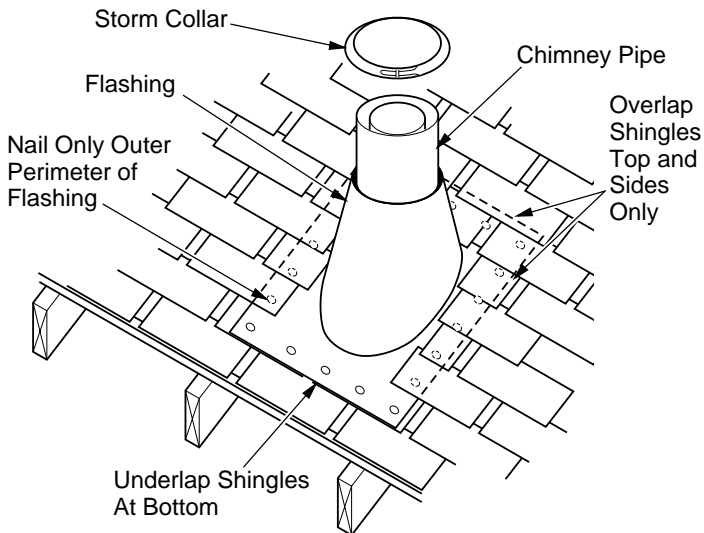


Figure 26 - Flashing Installation

Storm Collar Installation

Place storm collar over pipe and slide down until snug against the open edge of the flashing (see Figures 26 and 27). Apply waterproof caulking to all seams and notches around storm collar and also at base around shingles.

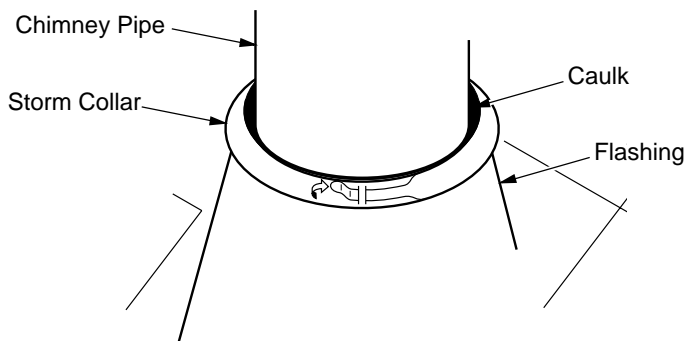


Figure 27 - Storm Collar

Terminations

The fireplace system must be terminated with the listed round top or chase terminations. In any case, refer to the installation instructions supplied with the terminations.

The terminations approved for this fireplace are RTL-10DM, which can be used for flashing, or chase and ETL-10DM for chase style termination only. Figure 28 shows an RTL-10DM round top termination.

CAUTION: Do not seal openings on the rooftop flashing. Follow the installation instructions provided with the termination being used.

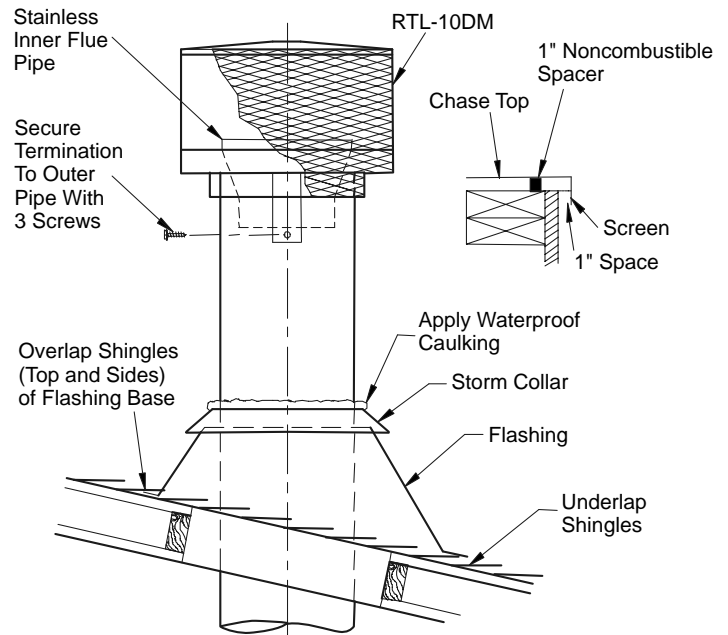


Figure 28 - Terminations

VENTING INSTALLTION

Continued

Chase Installation

Instructions for chase installations are included with the chase style termination chosen. However, it is worthy to mention here that in a multiple chase installation, provide adequate distance between terminations, or smoke spillage from one termination to another may occur. We suggest terminations be separated at least 30 inches center to center, and stacked at a vertical height difference of 18 inches vertically from one termination to the other (see Figure 29).

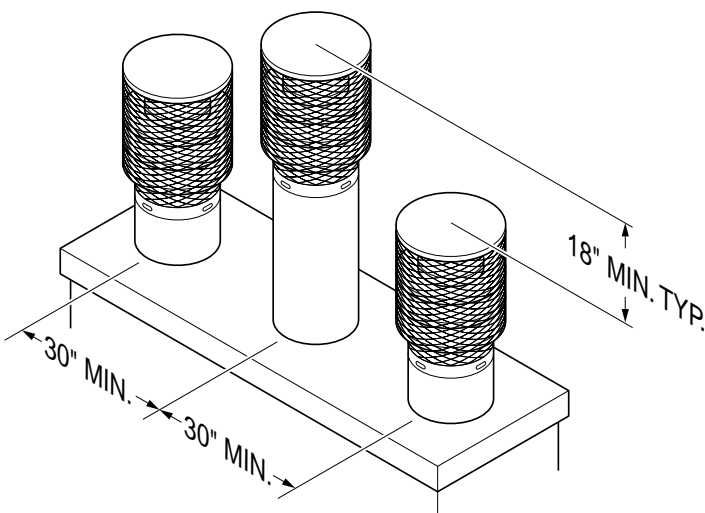


Figure 29 - Chase Clearances

INSTALLING FIREPLACE FACING

Any noncombustible material may be used for facing (glass, tile, brick, etc.) as long as the proper clearances are adhered to and the fireplace openings are not obstructed in any way. Refer to *Clearances*, page 5, and Figure 30).

Use only heat resistant, noncombustible mortar or adhesive when securing facing material to the front of the fireplace. When placing facing at the upper edge of the effective opening of the fireplace, provide an "L" shaped piece of metal, extending the full width of the opening.

Secure with sheet metal screws at a distance high enough from the edge as to not interfere with the operation of doors. This assures that the facing material, in time, should not block the opening if it were to lose cohesion.

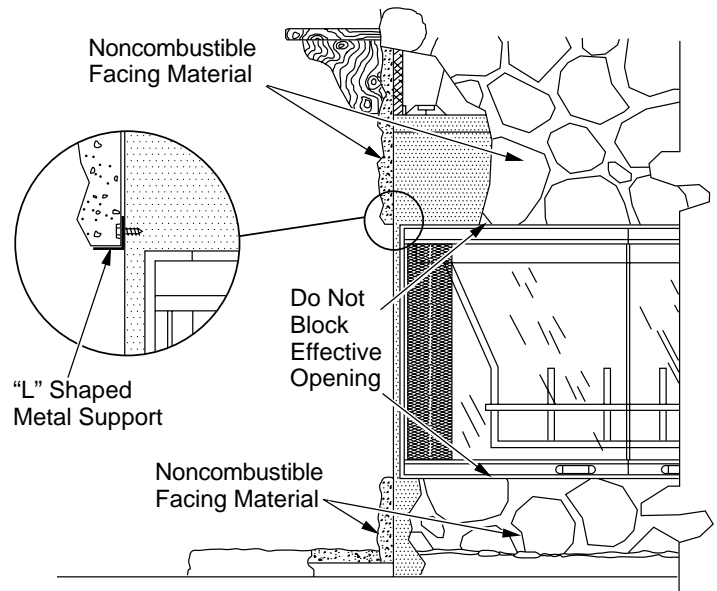


Figure 30 - Fireplace Facing (your fireplace may vary from illustration)

OPERATING GUIDELINES AND MAINTENANCE INSTRUCTIONS

GLASS DOORS

Glass doors are optional with the V3610ST fireplace. Glass doors come in cabinet type and BI-fold type. Check with your local distributor for availability and options.

To install glass doors, refer to the installation instructions that are included with the glass door kit.

When the fireplace is in operation, all doors must be in the FULLY OPEN or FULLY CLOSED position only or a fire hazard may be created (see Figure 31 and 32).

A fireplace equipped with glass doors operates much differently than a fireplace with an open front. A fireplace with glass doors has a limited amount of air for combustion. Excessive heat within the fireplace can result if too large a fire is built or if the combustion air gate is not completely open.

The following tips should be followed to assure that both the fireplace and the glass door retain their beauty and function properly.

- Both flue damper and the glass doors must be fully open before starting the fire. This will provide sufficient combustion air and maintain safe temperatures in the firebox. If operating with glass doors closed, do so at this time. Do not operate with doors partially open. Doors must be fully open or fully closed.
- The glass must be allowed to warm slowly and evenly. The tempered glass will withstand a gradual temperature rise to 550 degrees Fahrenheit, which is more than other such materials as pitch laden logs, very dry mill end lumber, large amounts of paper or cardboard boxes.
- Always keep the fire well back from the doors and never allow flames to contact the glass.

⚠ WARNING: Fireplaces equipped with glass doors should be operated only with the doors fully open or fully closed. Doors left partly open may draw gas (if used) and flame out of the fireplace opening, creating risk of both fire and smoke.

Cleaning the Glass

Clean glass with any commercial glass cleaner or soap and water. DO NOT use any abrasive material to clean glass. DO NOT clean glass with cool water if the glass is still too hot from the fire. To remove doors, refer to instructions included with glass door kit.

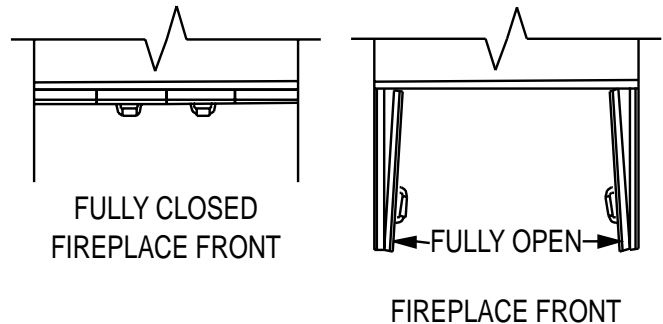


Figure 31 - Bi-Fold Glass Doors (Top View)

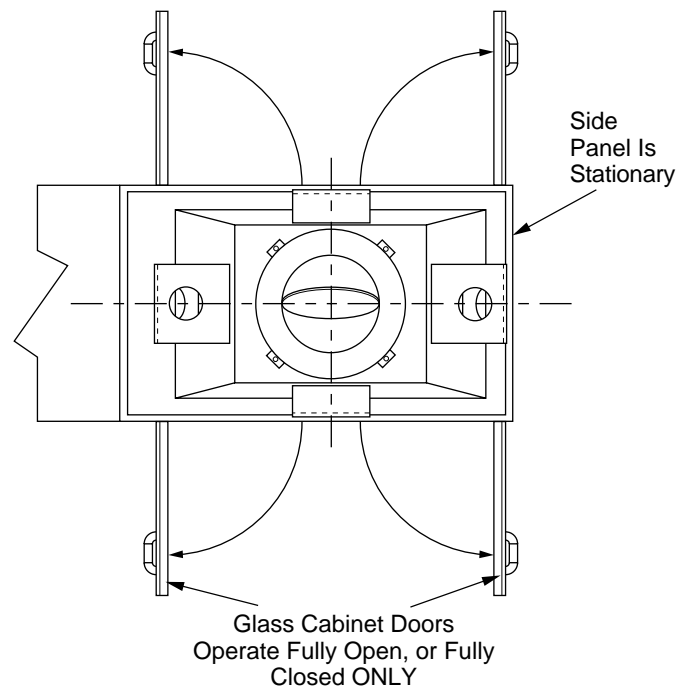


Figure 32 - Cabinet Door Operation

OPERATING GUIDELINES AND MAINTENANCE INSTRUCTIONS

Continued

DAMPER MECHANISM

The damper control lever is located inside the fire chamber (see Figure 33). Make sure lever is cool before handling. Pull down to CLOSE, push up to OPEN. The damper must be open when lighting a fire. Not doing so will cause smoke spillage into the room. When the fireplace is not in use, close the damper to prevent down drafts to enter the room.

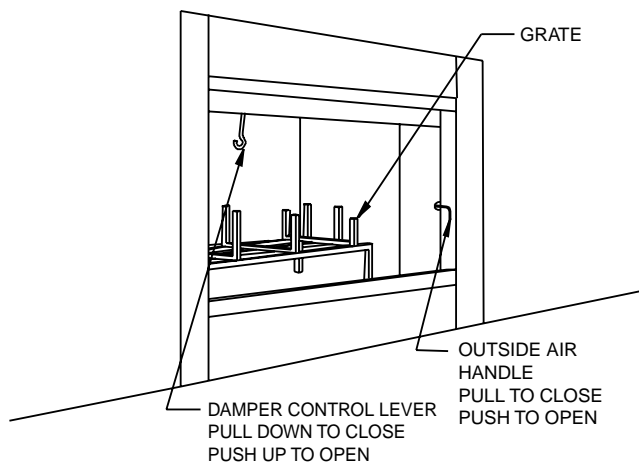


Figure 33 - Damper Operation

OUTSIDE AIR MECHANISM

The outside air handle is located at the right hand side of the fireplace rear refractory (see Figure 33). Pull to close, push to open. Always open the mechanism when starting a fire. This provides adequate outside combustion air. Close the mechanism when not in use to prevent cold air from entering the room. Periodically check you're outside air intake vent hood for any possible obstructions such as snow, bushes, etc.

GRATE

The grate is designed to provide you with the maximum solid fuel capacity. Do not attempt to defeat its purpose. Doing so may cause smoke spillage and a fire hazard. Do not overload the grate or obstruct the required air space beneath it. Always keep ashes from building up under the grate.

⚠ WARNING: RISK OF FIRE! Replace grate with DESA model 3610ST-GR grate only.

Never obstruct the flow of combustion and ventilation air. Keep the front of the fireplace clear of all obstacles and materials.

⚠ WARNING: Children and adults should be alerted to the hazards of high surface temperatures, and to stay away to avoid burns or clothing ignition. Young children should be carefully supervised when they are in the same room as the fireplace.

For further operating guidelines, instructions, and warranty information not contained in this owner's manual, contact your authorized dealer.

TECHNICAL SERVICE

You may have further questions about installation, operation, or troubleshooting. If so, contact DESA's Technical Service Department at 1-866-672-6040. When calling please have your model and serial numbers of your heater ready.

You can also visit DESA's technical services web site at www.desatech.com.

REPLACEMENT AND ACCESSORY PARTS

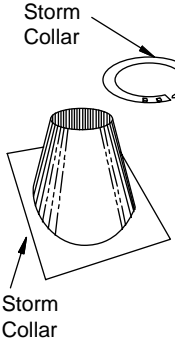
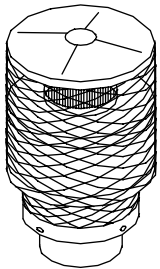
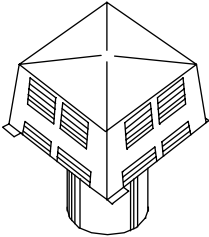
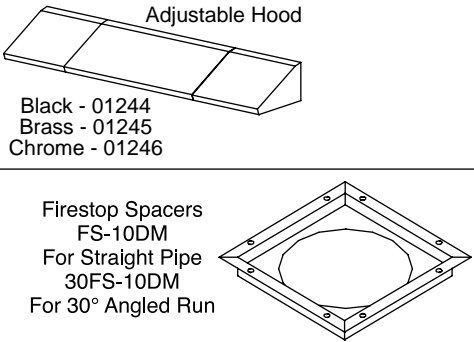
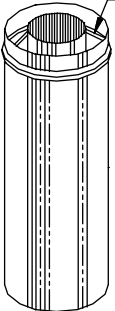
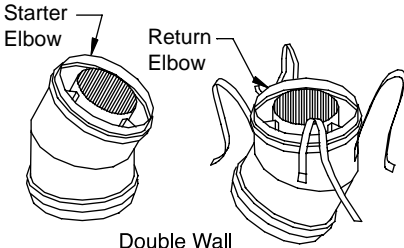
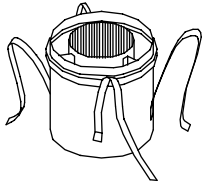
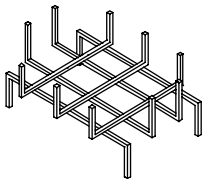
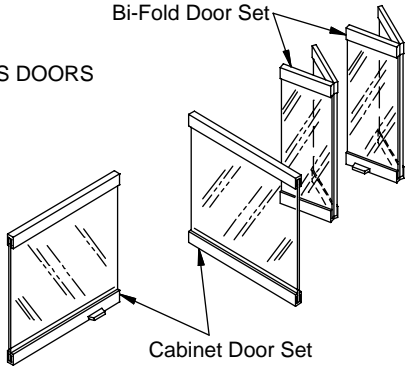
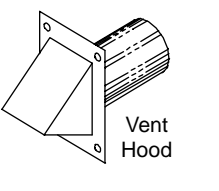
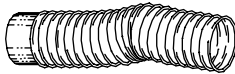
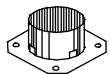
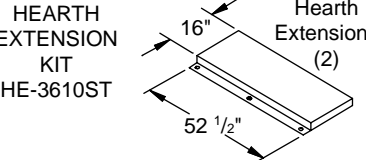
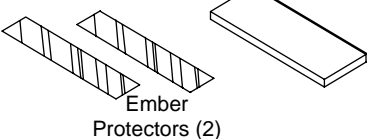
When ordering replacement or accessory items, please have your fireplace's model name and number and the part number of the item(s) you are ordering ready. The model name or number of your fireplace may be found on the rating plate located inside the fireplace.

Refer to the parts list and diagrams when ordering replacement parts for your fireplace.

Repair parts or accessory items may be bought from your distributor/dealer or directly from DESA. You can call 1-866-672-6040.

All product specifications are subject to change without notice.

IMPORTANT: Use of any other glass door assembly not tested with this fireplace may constitute a fire hazard and will void the DESA warranty.

 <p>Storm Collar SC-10</p> <p>Flashing 6F-10DM 12F-10DM 18F-10DM 24F-10DM</p> <p>Roof Pitch 0 to 6/12 6/12 to 12/12 12/12 to 18/12 18/12 to 24/12</p> <p>Storm Collar</p>	 <p>Round Top Termination RTL-10DM</p>	 <p>Econo Top Termination ETL-10DM</p>	 <p>Adjustable Hood</p> <p>Black - 01244 Brass - 01245 Chrome - 01246</p> <p>Firestop Spacers FS-10DM For Straight Pipe 30FS-10DM For 30° Angled Run</p>	
 <p>Comes With Wire Spacer</p> <p>Double Wall Chimney Pipe 12-10DM (12" Long) 18-10DM (18" Long) 36-10DM (36" Long) 48-10DM (48" Long)</p> <p>Chimney pipe assy. (includes outer and inner pipes)</p>	 <p>Starter Elbow</p> <p>Return Elbow</p> <p>Double Wall 30° Elbow/Offset 30E-10DM</p>	 <p>Double Wall Pipe Support Assembly 12S-10DM</p>	 <p>10" Grate 11169</p>	
<p>Double Wall Chimney Pipe(s) And Accessories Are Also Available In Triple Wall</p>				 <p>Bi-Fold Door Set</p> <p>GLASS DOORS</p> <p>Cabinet Door Set</p>
 <p>Vent Hood</p> <p>Vent Plaster Collar</p>	 <p>OUTSIDE AIR KIT AK-4</p> <p>Connector Duct - 4"x 3'</p>	 <p>Hood Assembly AK-V</p>	<p>(Continued from previous cell)</p>	
 <p>HEARTH EXTENSION KIT HE-3610ST</p> <p>Hearth Extensions (2)</p> <p>16"</p> <p>52 1/2"</p>	 <p>Ember Protectors (2)</p>			

OWNER'S REGISTRATION FORM

In order to provide better customer service for this and future purchases, we recommend that you register your product with us. You can register online at www.desatech.com. If access to our website is not available to you, please complete this Owner's Registration Form and mail to the address on the back of this owner's manual. Please provide the following product information:

Brand: _____ (Comfort Glow, Vanguard, etc.)
 Model: _____ (EFP33PR, VTGH33NR, etc.)
 Date Purchased: _____ Note: Keep receipt for warranty verification.
 Serial Number: _____ 7 or 9 digit number located on product or identification tag.
 First Name: _____ Last Name: _____
 Address: _____
 City: _____ State: _____ Zip: _____ Country: _____
 Home Phone: _____ - _____
 E-Mail: _____

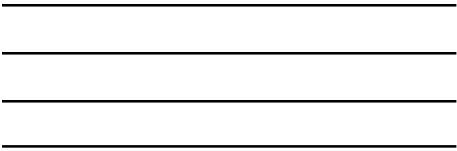
Please answer the following questions to register your product with DESA:

1. Where will the product be used?
 Living/Family Room Office/Warehouse Utility Shed/Outbuilding Garage Bedroom Bathroom Other
2. If you bought this product yourself, did you plan to purchase this type of product before going into the store? Yes No
3. Who selected the product? Male Female Both
4. What is the population of your area? Under 10,000 10,000 to 25,000 25,000 to 50,000 50,000 to 100,000
 100,000 to 250,000 Over 250,000
5. What is your primary source of heat? Propane (LP Gas) Fuel Oil Wood Natural Gas Electric Other
6. How was the product installed? Professional Installer Self Other
7. Cost of product excluding sales tax? \$ _____
8. Cost to install product? \$ _____
9. Type of store where product was purchased? Hardware Propane Dealer Natural Gas/Utility Co. Home Center/Builder's Supply
 Fireplace or Hearth Shop Farm Store Other
10. What motivated you to buy this product? Sudden Cold Weather Replace Older Model D.I.Y. Home Project
 Emergency Back-Up Heat Heater was on Sale Energy Savings/High Efficiency Construction Project Other
11. How did you learn about this product brand? Advertising Relative or Friend Store Display Other _____
12. Level of Education of Purchaser: Some High School Completed High School Completed College Completed Graduate School
13. Age of Purchaser: Under 20 20 - 29 30 - 39 40 - 49 50 - 59 60 or Over
14. Buyer's total annual household income: Under \$15,000 \$15,000 to \$19,999 \$20,000 to \$34,999 \$35,000 to \$49,999
 \$50,000 to \$74,999 \$75,000 to \$99,999 \$100,000 and Over
15. Store where product was purchased:
 Name: _____
 City: _____ State: _____

16. In choosing this product, how important were the following:

	Not Important	Somewhat Important	Very Important
Availability	<input type="radio"/>	<input type="radio"/>	<input type="radio"/>
Price	<input type="radio"/>	<input type="radio"/>	<input type="radio"/>
Brand Name	<input type="radio"/>	<input type="radio"/>	<input type="radio"/>
Overall Quality	<input type="radio"/>	<input type="radio"/>	<input type="radio"/>
Heat Output	<input type="radio"/>	<input type="radio"/>	<input type="radio"/>
Made in USA	<input type="radio"/>	<input type="radio"/>	<input type="radio"/>
Warranty	<input type="radio"/>	<input type="radio"/>	<input type="radio"/>
Local Service	<input type="radio"/>	<input type="radio"/>	<input type="radio"/>
Value for Price	<input type="radio"/>	<input type="radio"/>	<input type="radio"/>
Prior Brand Experience	<input type="radio"/>	<input type="radio"/>	<input type="radio"/>
Controls Location	<input type="radio"/>	<input type="radio"/>	<input type="radio"/>
Thermostat, Remote, or Manual Operation	<input type="radio"/>	<input type="radio"/>	<input type="radio"/>
Ease of Operation	<input type="radio"/>	<input type="radio"/>	<input type="radio"/>
Special Features	<input type="radio"/>	<input type="radio"/>	<input type="radio"/>
Salesperson's Recommendation	<input type="radio"/>	<input type="radio"/>	<input type="radio"/>
Friend/Relative's Recommendation	<input type="radio"/>	<input type="radio"/>	<input type="radio"/>
Portability	<input type="radio"/>	<input type="radio"/>	<input type="radio"/>
Quiet Operation	<input type="radio"/>	<input type="radio"/>	<input type="radio"/>

TAPE



Postage
Required

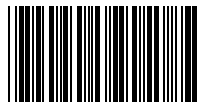


2701 Industrial Drive
P.O. Box 90004
Bowling Green, KY 42102-9004

TAPE



2701 Industrial Drive
P.O. Box 90004
Bowling Green, KY 42102-9004



55253

NOT A UPC

55253
Rev. C
03/03

For more information, visit www.desatech.com

Free Manuals Download Website

<http://myh66.com>

<http://usermanuals.us>

<http://www.somanuals.com>

<http://www.4manuals.cc>

<http://www.manual-lib.com>

<http://www.404manual.com>

<http://www.luxmanual.com>

<http://aubethermostatmanual.com>

Golf course search by state

<http://golfingnear.com>

Email search by domain

<http://emailbydomain.com>

Auto manuals search

<http://auto.somanuals.com>

TV manuals search

<http://tv.somanuals.com>