

# 10" Grinder w/Pedestal

(Model 23-735)

# 8" Grinder w/Pedestal

(Model 23-730)

# 8" Slow Speed Grinder

(Model 23-725)



PART NO. 900804 (011)  
Copyright © 2001 Delta Machinery



To learn more about DELTA MACHINERY  
visit our website at: [www.deltamachinery.com](http://www.deltamachinery.com).

For Parts, Service, Warranty or other Assistance,

please call **1-800-223-7278** (In Canada call **1-800-463-3582**).

# SAFETY RULES

Woodworking can be dangerous if safe and proper operating procedures are not followed. As with all machinery, there are certain hazards involved with the operation of the product. Using the machine with respect and caution will considerably lessen the possibility of personal injury. However, if normal safety precautions are overlooked or ignored, personal injury to the operator may result. Safety equipment such as guards, push sticks, hold-downs, featherboards, goggles, dust masks and hearing protection can reduce your potential for injury. But even the best guard won't make up for poor judgment, carelessness or inattention. Always use common sense and exercise caution in the workshop. If a procedure feels dangerous, don't try it. Figure out an alternative procedure that feels safer. **REMEMBER:** Your personal safety is your responsibility.

This machine was designed for certain applications only. Delta Machinery strongly recommends that this machine not be modified and/or used for any application other than that for which it was designed. If you have any questions relative to a particular application, **DO NOT** use the machine until you have first contacted Delta to determine if it can or should be performed on the product.

**Technical Service Manager  
Delta Machinery  
4825 Highway 45 North  
Jackson, TN 38305**

**(IN CANADA: 505 SOUTHGATE DRIVE, GUELPH, ONTARIO N1H 6M7)**



## **WARNING: FAILURE TO FOLLOW THESE RULES MAY RESULT IN SERIOUS PERSONAL INJURY**

1. **FOR YOUR OWN SAFETY, READ INSTRUCTION MANUAL BEFORE OPERATING THE TOOL.** Learn the tool's application and limitations as well as the specific hazards peculiar to it.

2. **KEEP GUARDS IN PLACE** and in working order.

3. **ALWAYS WEAR EYE PROTECTION.**

4. **REMOVE ADJUSTING KEYS AND WRENCHES.** Form habit of checking to see that keys and adjusting wrenches are removed from tool before turning it "on".

5. **KEEP WORK AREA CLEAN.** Cluttered areas and benches invite accidents.

6. **DON'T USE IN DANGEROUS ENVIRONMENT.** Don't use power tools in damp or wet locations, or expose them to rain. Keep work area well-lighted.

7. **KEEP CHILDREN AND VISITORS AWAY.** All children and visitors should be kept a safe distance from work area.

8. **MAKE WORKSHOP CHILDPROOF** – with padlocks, master switches, or by removing starter keys.

9. **DON'T FORCE TOOL.** It will do the job better and be safer at the rate for which it was designed.

10. **USE RIGHT TOOL.** Don't force tool or attachment to do a job for which it was not designed.

11. **WEAR PROPER APPAREL.** No loose clothing, gloves, neckties, rings, bracelets, or other jewelry to get caught in moving parts. Nonslip footwear is recommended. Wear protective hair covering to contain long hair.

12. **ALWAYS USE SAFETY GLASSES.** Wear safety glasses. Everyday eyeglasses only have impact resistant lenses; they are not safety glasses. Also use face or dust mask if cutting operation is dusty. These safety glasses must conform to ANSI Z87.1 requirements. Note: Approved glasses have Z87 printed or stamped on them.

13. **SECURE WORK.** Use clamps or a vise to hold work when practical. It's safer than using your hand and frees both hands to operate tool.

14. **DON'T OVERREACH.** Keep proper footing and balance at all times.

15. **MAINTAIN TOOLS IN TOP CONDITION.** Keep tools sharp and clean for best and safest performance. Follow instructions for lubricating and changing accessories.

16. **DISCONNECT TOOLS** before servicing and when changing accessories such as blades, bits, cutters, etc.

17. **USE RECOMMENDED ACCESSORIES.** The use of accessories and attachments not recommended by Delta may cause hazards or risk of injury to persons.

18. **REDUCE THE RISK OF UNINTENTIONAL STARTING.** Make sure switch is in "OFF" position before plugging in power cord.

19. **NEVER STAND ON TOOL.** Serious injury could occur if the tool is tipped or if the cutting tool is accidentally contacted.

20. **CHECK DAMAGED PARTS.** Before further use of the tool, a guard or other part that is damaged should be carefully checked to ensure that it will operate properly and perform its intended function – check for alignment of moving parts, binding of moving parts, breakage of parts, mounting, and any other conditions that may affect its operation. A guard or other part that is damaged should be properly repaired or replaced.

21. **DIRECTION OF FEED.** Feed work into a blade or cutter against the direction of rotation of the blade or cutter only.

22. **NEVER LEAVE TOOL RUNNING UNATTENDED. TURN POWER OFF.** Don't leave tool until it comes to a complete stop.

23. **DRUGS, ALCOHOL, MEDICATION.** Do not operate tool while under the influence of drugs, alcohol or any medication.

24. **MAKE SURE TOOL IS DISCONNECTED FROM POWER SUPPLY** while motor is being mounted, connected or re-connected.

25. **THE DUST GENERATED** by certain woods and wood products can be injurious to your health. Always operate machinery in well ventilated areas and provide for proper dust removal. Use wood dust collection systems whenever possible.

26. **WARNING: SOME DUST CREATED BY POWER SANDING, SAWING, GRINDING, DRILLING, AND OTHER CONSTRUCTION ACTIVITIES** contains chemicals known to cause cancer, birth defects or other reproductive harm. Some examples of these chemicals are:

- lead from lead-based paints,
- crystalline silica from bricks and cement and other masonry products, and
- arsenic and chromium from chemically-treated lumber.

Your risk from these exposures varies, depending on how often you do this type of work. To reduce your exposure to these chemicals: work in a well ventilated area, and work with approved safety equipment, such as those dust masks that are specially designed to filter out microscopic particles.

**SAVE THESE INSTRUCTIONS**

# ADDITIONAL SAFETY RULES FOR GRINDERS

1. **DO NOT** operate your tool until it is completely assembled and installed according to the instructions.
2. **IF YOU ARE NOT** thoroughly familiar with the operation of grinders, obtain advice from your supervisor, instructor or other qualified person.
3. **USE** only grinding wheels rated for 3600 RPM with a 5/8" or 1" arbor hole, for Models 23-730 & 23-725. **NEVER** use a wheel rated lower than 3600 RPM for Model 23-730, **NEVER** use a wheel rated lower than 1800 RPM for Model 23-725, or attempt to machine an undersize wheel to fit an arbor. Model 23-735 uses grinding wheels rated for 1800 RPM with a 3/4" or 1-1/4" arbor hole. **NEVER** use a wheel rated lower than 1800 RPM for Model 23-735.
4. **NEVER** use a chipped or cracked grinding wheel. **ALWAYS** inspect each wheel before mounting on the grinder. **REPLACE A CRACKED WHEEL IMMEDIATELY.**
5. **DO NOT** overtighten wheel nut.
6. **FREQUENTLY** clean grinding dust from beneath the grinder.
7. **ALWAYS** maintain a distance of 1/8" or less between the grinding wheel and the tool rest. Adjust the tool rests as the grinding wheels decrease in size with use.
8. **SECURELY** tighten tool rests so they cannot shift position while in use.
9. **NEVER** grind on a cold wheel. The grinder should always be started and run at idle speed for one full minute before applying work.
10. **NEVER** grind on the side of the wheel. **ALWAYS** grind on the face of the wheel only.
11. **NEVER** apply coolant directly to a grinding wheel. Coolant can weaken the bonding strength of the wheel and cause it to fail. Dip the workpiece into water to cool it.
12. **SPARKS ARE A HAZARD! NEVER** grind near flammable gas or liquids.
13. **ALWAYS MAKE SURE** the wheel guards and eye shields are in place, properly adjusted and secured.
14. **KEEP** the spark guards close to the wheel and re-adjust them as the wheel wears.
15. **MAKE CERTAIN** the blotter and wheel flanges furnished are used to mount the grinding wheels onto the grinder shaft.
16. **THE USE** of attachments and accessories not recommended by Delta may result in the risk of injuries.
17. **STAND** to one side of the wheel when turning on the power.
18. **AVOID** awkward hand positions where a sudden slip could cause a hand to move into the grinding wheel.
19. **ALWAYS** keep hands and fingers away from the grinding wheel.
20. **NEVER** start the grinder with the workpiece pressed against the grinding wheel.
21. **DRESS** the wheel on the face only. Dressing the side of the wheel can cause it to become too thin for safe use.
22. **DO NOT** use a wheel that vibrates. Dress the wheel, replace the wheel, or replace the shaft bearings, if worn.
23. **GRINDING CREATES HEAT.** Do not touch the workpiece until you are sure it has cooled sufficiently.
24. **YOUR TOOL** may start after a power failure. **DO NOT** use in an area where children may be present.
25. **ALWAYS** keep guards in place when using a wire brush or buffing wheel in place of the standard grinding wheel.
26. **SHOULD** any part of your grinder be missing, damaged, or fail in any way, or any electrical component fail to perform properly, shut off switch and remove plug from power supply outlet. Replace missing, damaged or failed parts before resuming operation.
27. **ADDITIONAL** information regarding the safe and proper operation of this product is available from the National Safety Council, 1121 Spring Lake Drive, Itasca, IL 60143-3201 in the Accident Prevention Manual for Industrial Operations and also in the Safety Data Sheets provided by the NSC. Please also refer to the American National Standards Institute ANSI B7.1 Safety Requirements for the use, care, and protection of abrasive wheels; ANSI B11.9 Safety Requirements for the construction, care and use of grinding machines; and the U.S. Department of Labor OSHA 1910.215 Regulations for Abrasive Wheel Machinery.
28. **SAVE THESE INSTRUCTIONS.** Refer to them often and use them to instruct others.

# UNPACKING AND CLEANING

Carefully unpack the tool and all loose items from the carton. Remove the protective coating from all unpainted parts. This coating may be removed with a soft cloth moistened with kerosene (do not use acetone, gasoline, or lacquer thinner for this purpose).

Fig. 1 illustrates the components of the grinder.

**⚠ WARNING: FOR YOUR OWN SAFETY, DO NOT CONNECT THE TOOL TO THE POWER SOURCE UNTIL THE MACHINE IS COMPLETELY ASSEMBLED AND YOU HAVE READ AND UNDERSTAND THE ENTIRE INSTRUCTION MANUAL.**

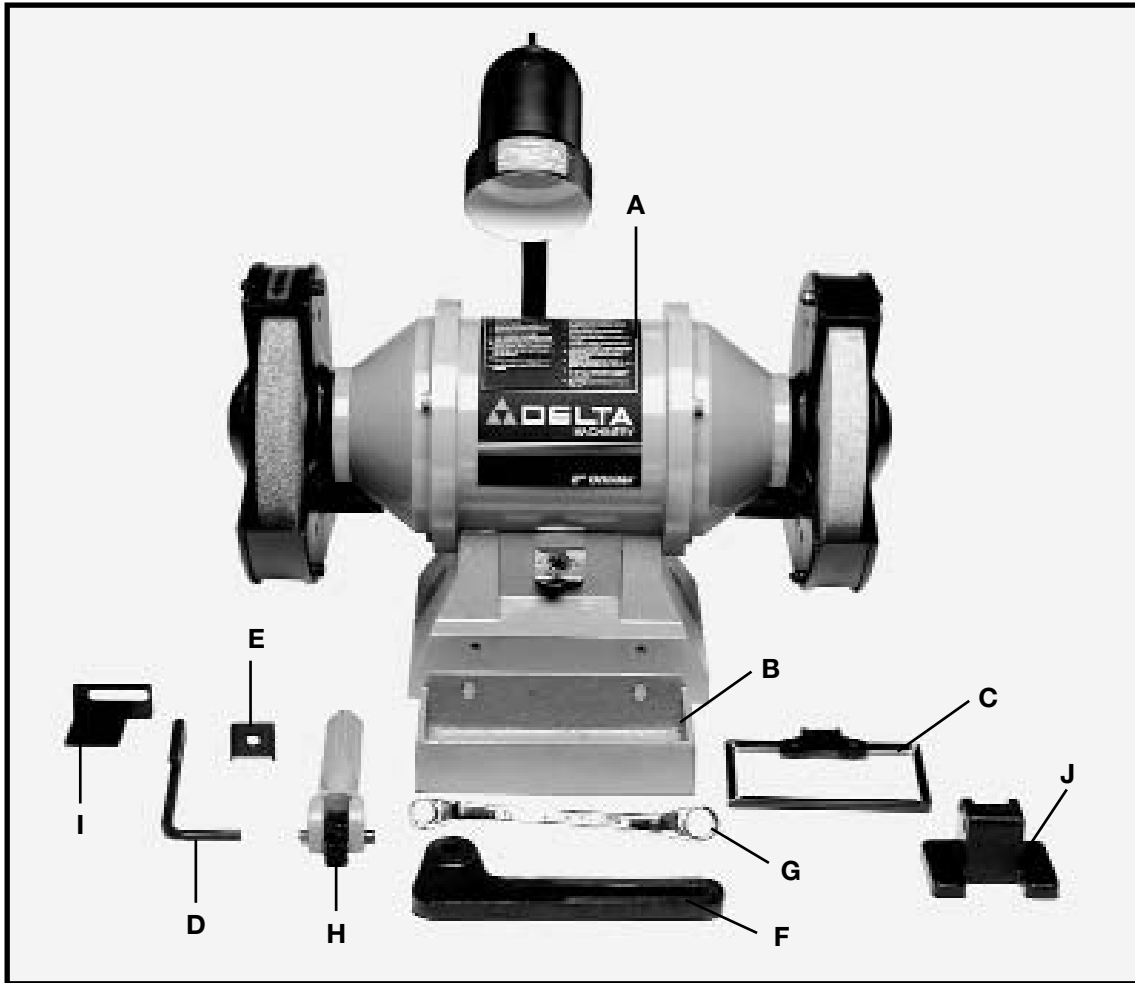


Fig. 1

- A Grinder and Lamp (1)
- B Water Tray (1)
- C Eye Shield (2)
- D Eye Shield Rod (2)
- E Eye Shield Rod Bracket (2)
- F Tool Rest Arm (2)
- G Wrench (1)
- H Wheel Dresser (1)
- I Spark Guard (2)
- J Tool Rest (2)

# HARDWARE ILLUSTRATION

Fig. 2 illustrates the hardware components of the grinder. **ACTUAL SIZE**

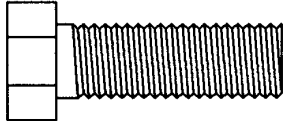
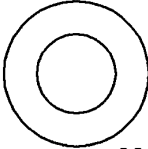

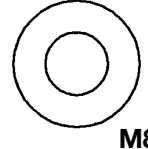
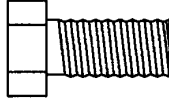
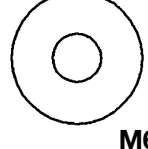
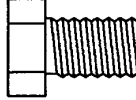
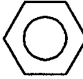


Grinder Hardware				
Actual size				
Reference		Qty	Reference Qty	
1		(2)	7 	(6)
	M10 x 1.50 x 30		M10	
2		(4)	8 	(4)
	M8 x 1.25 x 18		M8	
3		(2)	9 	(2)
	M8 x 1.25 x 15		M6	
4		(2)	10 	(2)
	M8 x 1.25 x 10		M6 x 1.0	
5		(2)		
	M6 x 1.0 x 15			
6		(2)		
	M6 x 1.0 x 18			

Fig. 2

# ASSEMBLY INSTRUCTIONS

## ASSEMBLING TOOL RESTS

1. The tool rest arms (F) Fig. 3, are universal and can be attached to either side of the grinder. Assemble adjustable tool rest (J) Fig. 3, to left side of tool rest arm (F) Fig. 3, as shown, and fasten with one bolt (1) Fig. 2, and one washer (7) Fig. 2, as shown. Assemble the remaining tool rest to the right side of the other tool rest arm in the same manner. Do not completely tighten hardware at this time.

2. To identify the left & right tool rests place them, as they would be assembled on the tool Fig. 4. The left tool rest will have a threaded hole on the right side of the tool rest, and the right tool rest will have a threaded hole on the left side of the tool rest.

3. Attach left tool rest assembly Fig. 4, to the inside of left wheel guard, and fasten with two bolts (2) Fig. 2, and two washers (7) Fig. 2 as shown.

4. Attach right tool rest assembly to the inside of right wheel guard and fasten with two bolts (2) Fig. 2 and two washers (7) Fig. 2 in the same manner.

5. Each tool rest assembly Fig. 4, is adjustable so it can be positioned slightly below the centerline of the wheel and as close to the grinding wheel as possible, giving maximum support to the piece that is being ground. A distance of 1/8-inch or less between the grinding wheel and the inside edge of the tool rest should always be maintained.

6. When the tool rest is positioned correctly, tighten the hardware. As the grinding wheel wears down to a smaller diameter, re-adjust the tool rest closer to the wheel. Freehand grinding without the use of a tool rest should always be done on the lower quarter of the wheel.

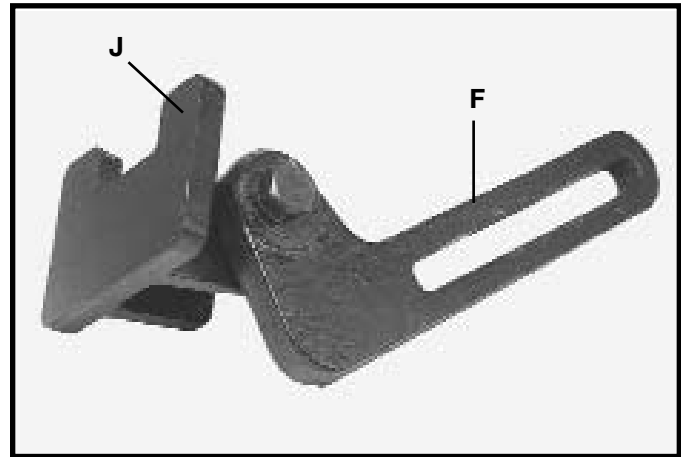


Fig. 3

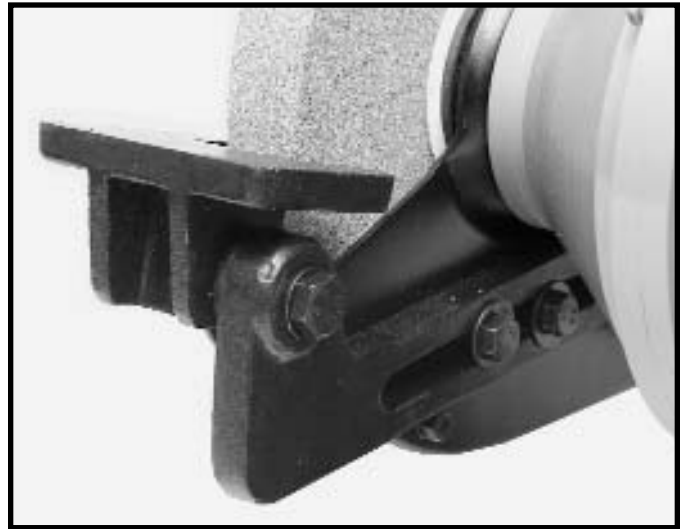


Fig. 4

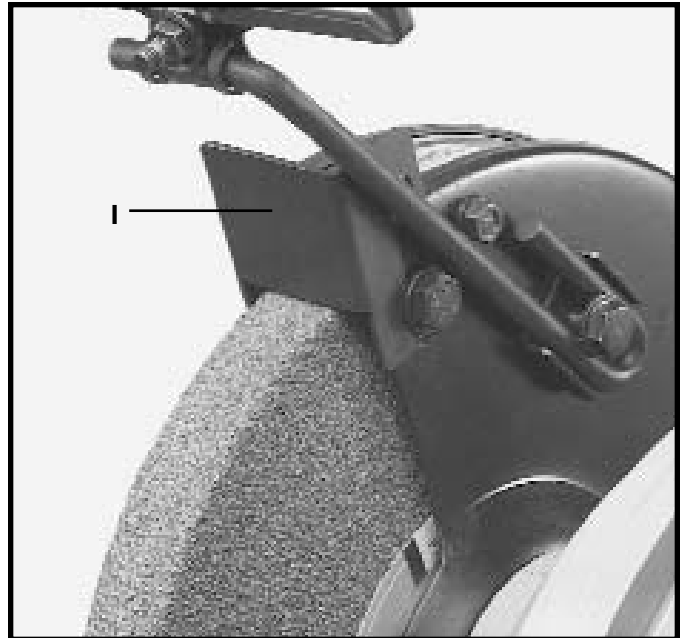


Fig. 5

## ASSEMBLING SPARK GUARDS

The spark guard (I) Fig. 5, is to be mounted to the side of each wheel guard, using one bolt (4) Fig. 2, and one washer (8) Fig. 2 as shown. The spark guard (I) should be adjusted as close as possible to the grinding wheel so that sparks never strike the operator's hand. As the wheels wear down, the spark guard (I) should be adjusted accordingly.



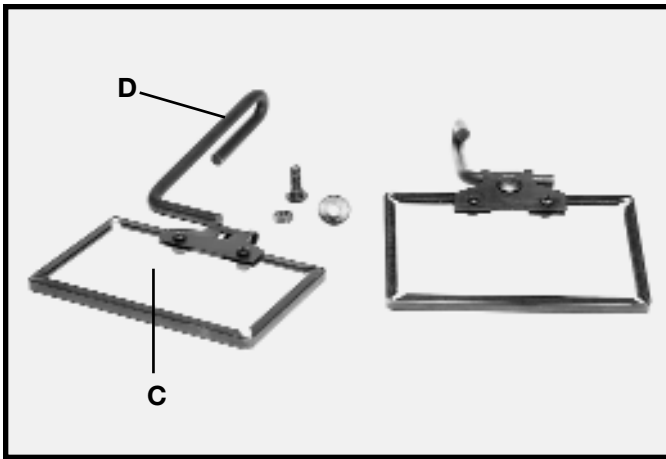


Fig. 6

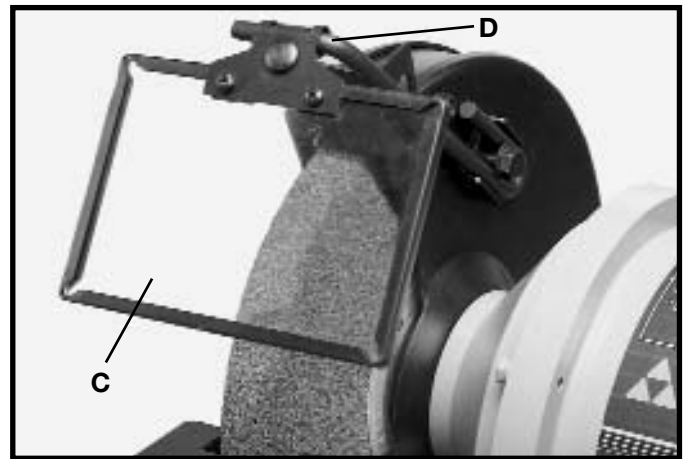


Fig. 7

## ASSEMBLING EYE SHIELDS

Your grinder is supplied with two eye shields for operator protection. **NOTE: ALWAYS WEAR EYE PROTECTION.** To assemble the eye shields, proceed as follows:

1. Assemble long end of eye shield mounting rod (D) Fig. 1, to the side of each wheel guard using the eye shield rod bracket (E) Fig. 1, and screw (3) Fig. 2, and washer (8) Fig. 2. **Note:** The mounting rod should be positioned so that the "L" shaped end of the mounting rod is pointing outward, away from the machine. Fig. 7.
2. Insert the "L" shaped end of mounting rod (D) Fig. 7, into hole of frame (C) Fig. 7 and fasten in place with screw (6) Fig. 2, one washer (9) Fig. 2, and one nut (10) Fig. 2. The eye shield (C) is fully adjustable so it can be put in any position by moving the shield (C) or loosening screw (3) Fig. 2 and repositioning rod (D).
3. Assemble the remaining eye shield to other wheel guard in the same manner.

## ASSEMBLING WATER TRAY

To assemble the water tray (B) Fig. 8, align holes in the water tray, with the holes in the front of the grinder, insert two screws (5) Fig. 2, and tighten securely.

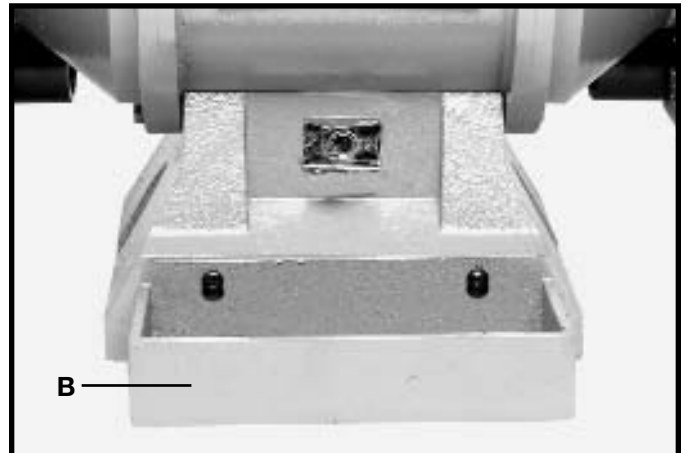


Fig. 8

## FASTENING GRINDER TO SUPPORTING SURFACE (MODEL 23-725)

**IF DURING OPERATION THERE IS ANY TENDENCY FOR THE GRINDER TO TIP OVER, SLIDE OR "WALK" THE GRINDER MUST BE SECURED TO A SUPPORTING SURFACE, SUCH AS A WORK BENCH, THROUGH THE HOLES (A) FIG. 9, IN THE GRINDER BASE.**

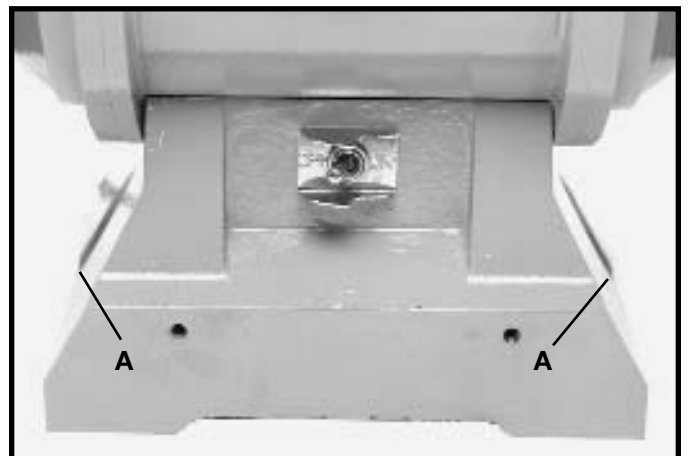


Fig. 9

## ASSEMBLING PEDESTAL (MODELS 23-730 & 23-735)

**NOTE:** Pedestal hardware is illustrated **ACTUAL SIZE** Fig. 10.

1. Stand the column up with the square end on the floor Fig. 11.
2. Place the base on top of the round end of the column, and line up bolt holes Fig. 12.
3. Insert bolt (11) and washer (12) Fig. 10, through the round end of the column and then thread the screw through the base plate.
4. Once all four screws are threaded into the base plate Fig. 12, place one washer (13) Fig. 10, one nut (14) Fig. 10, onto bolt (11) Fig. 10, and tighten securely.
5. Turn pedestal over so that the base is resting on the floor.
6. Attach the tool plate to the pedestal with two bolts (15) Fig. 10, and tighten securely. Fig. 13.
7. Attach the two set screws (16) Fig. 10, one to the base plate (A) Fig. 11, and one to the square plate (B) Fig. 11, on top of the column.

## FASTENING GRINDER TO PEDESTAL TO PEDESTAL

Place grinder onto pedestal and align bolt hole opening in grinder with bolt hole on pedestal.

Place washer (12) Fig. 10, onto bolt (11) Fig. 10, and insert bolt through grinder and pedestal.

Place washer (13) Fig. 10, and nut (14) Fig. 10, on bolt and tighten securely.

**NOTE:** Make sure pedestal and grinder are sturdy and stable before operating grinder.

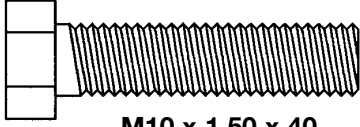
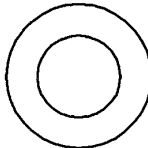
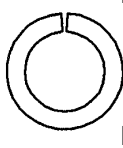

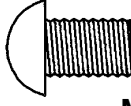

Pedestal Hardware		
Actual Size		
Reference		Qty
11	 M10 x 1.50 x 40	(6)
12	 M10	(10)
13	 M10	(6)
14	 M10 x 1.50	(6)
15	 M8 x 1.25 x 10	(2)
16	 M10 x 1.50 x 10	(2)

Fig. 10



Fig. 11

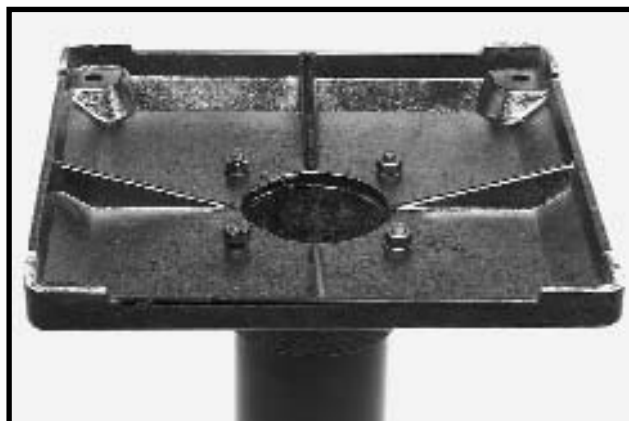


Fig. 12



Fig. 13



# EXTENSION CORDS

Use proper extension cords. Make sure your extension cord is in good condition and is a 3-wire extension cord which has a 3-prong grounding type plug and a 3-pole receptacle which will accept the tool's plug. When using an extension cord, be sure to use one heavy enough to carry the current of the saw. An undersized cord will cause a drop in line voltage, resulting in loss of power and overheating. Fig. 14, shows the correct gauge to use depending on the cord length. If in doubt, use the next heavier gauge. The smaller the gauge number, the heavier the cord.

<b>MINIMUM GAUGE EXTENSION CORD</b>			
RECOMMENDED SIZES FOR USE WITH STATIONARY ELECTRIC TOOLS			
<b>Ampere Rating</b>	<b>Volts</b>	<b>Total Length of Cord in Feet</b>	<b>Gauge of Extension Cord</b>
0-6	120	up to 25	18 AWG
0-6	120	25-50	16 AWG
0-6	120	50-100	16 AWG
0-6	120	100-150	14 AWG
6-10	120	up to 25	18 AWG
6-10	120	25-50	16 AWG
6-10	120	50-100	14 AWG
6-10	120	100-150	12 AWG
10-12	120	up to 25	16 AWG
10-12	120	25-50	16 AWG
10-12	120	50-100	14 AWG
10-12	120	100-150	12 AWG
12-16	120	up to 25	14 AWG
12-16	120	25-50	12 AWG
12-16	120	GREATER THAN 50 FEET NOT RECOMMENDED	

Fig. 14

## CONNECTING TOOL TO POWER SOURCE

### POWER CONNECTIONS

A separate electrical circuit should be used for your tools. This circuit should not be less than #12 wire and should be protected with a 20 Amp time lag fuse. If an extension cord is used, use only 3-wire extension cords which have 3-prong grounding type plugs and 3-pole receptacles which accept the tool's plug. Before connecting the motor to the power line, make sure the switch is in the "OFF" position and be sure that the electric current is of the same characteristics as indicated on the tool. All line connections should make good contact. Running on low voltage will damage the motor.

### MOTOR SPECIFICATIONS

Your tool is wired for 120 volt, 60 HZ alternating current. Before connecting the tool to the power source, make sure the switch is in the "OFF" position. The motor for the 23-725 & 23-735 provides a no-load speed of 1725 RPM. The motor for the 23-730 provides a no-load speed of 3450 RPM.

### GROUNDING INSTRUCTIONS

**WARNING: THIS TOOL MUST BE GROUNDED WHILE IN USE TO PROTECT THE OPERATOR FROM ELECTRIC SHOCK.**

1. All grounded, cord-connected tools: In the event of a malfunction or breakdown, grounding provides a path of least resistance for electric current to reduce the risk of electric shock. This tool is equipped with an electric cord having an equipment-grounding conductor and a grounding plug. The plug must be plugged into a matching outlet that is properly installed and grounded in accordance with all local codes and ordinances.

Do not modify the plug provided - if it will not fit the outlet, have the proper outlet installed by a qualified electrician.

Improper connection of the equipment-grounding conductor can result in risk of electric shock. The conductor with insulation having an outer surface that is green with or without yellow stripes is the equipment-grounding conductor. If repair or replacement of the electric cord or plug is necessary, do not connect the equipment-grounding conductor to a live terminal.

Check with a qualified electrician or service personnel if the grounding instructions are not completely understood, or if in doubt as to whether the tool is properly grounded.

Use only 3-wire extension cords that have 3-prong grounding type plugs and 3-pole receptacles that accept the tool's plug, as shown in Fig. 15.

Repair or replace damaged or worn cord immediately.

2. Grounded, cord-connected tools intended for use on a supply circuit having a nominal rating less than 150 volts:

This tool is intended for use on a normal 120-volt circuit and has a grounded plug that looks like the plug illustrated in Fig. 15.

If a properly grounded outlet is not available, a temporary adapter, shown in Fig. 16, may be used for connecting the 3-prong grounding type plug to a 2-pole receptacle. The temporary adapter should be used only until a properly grounded outlet can be installed by a qualified electrician. The green colored rigid ear, lug, or the like extending from the adapter must be connected to a permanent ground such as a properly grounded outlet box cover. Whenever the adapter is used, it must be held in place with a metal screw.

**NOTE: In Canada, the use of a temporary adapter is not permitted by the Canadian Electric Code.**

**⚠ WARNING: IN ALL CASES, MAKE CERTAIN THE RECEPTACLE IN QUESTION IS PROPERLY GROUNDED. IF YOU ARE NOT SURE HAVE A CERTIFIED ELECTRICIAN CHECK THE RECEPTACLE.**

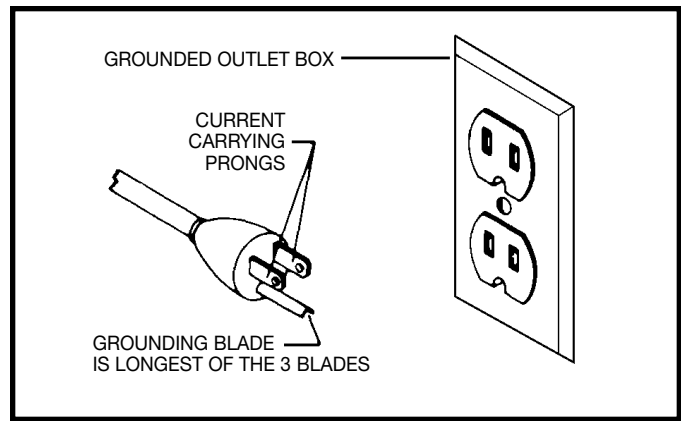


Fig. 15

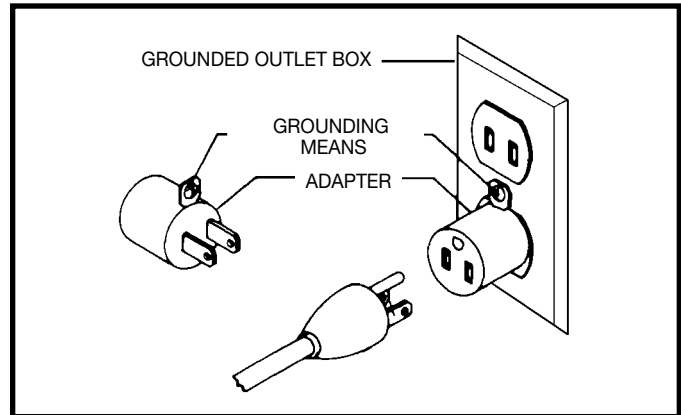


Fig. 16

## FLEXIBLE LAMP

The flexible lamp operates independently of the grinder. To turn the lamp on and off, rotate switch (A) Fig. 17.

**⚠ WARNING: To reduce the risk of fire, use 40 watt or less, 120 volt, reflector track type light bulb (not supplied). A standard household light bulb should not be used. The reflector track type light bulb should not extend below the lampshade.**



Fig. 17

# STARTING AND STOPPING GRINDER

The “ON-OFF” switch (A) Fig. 18 is located on the front of the grinder. To turn the grinder “ON” move the switch to the right, and to turn the grinder “OFF” move the switch to the left.

## GRINDING WHEELS

**⚠️ WARNING: THE USE OF ACCESSORIES AND ATTACHMENTS NOT RECOMMENDED BY DELTA MAY RESULT IN RISK OF INJURIES.** Grinding wheels used with **Model 23-730** grinders should be rated for 3600 RPM or higher and be 8" in diameter with a 5/8" or 1" arbor hole. Grinding wheels used with **Model 23-725** grinders should be rated for 1800 RPM or higher and be 8" in diameter with a 5/8" or 1" arbor hole. Grinding wheels used with **Model 23-735** grinder should be rated for 1800 RPM or higher and be 10" in diameter with a 3/4" or 1-1/4" arbor hole.

The arbor bushing should be saved, for future use, if the replacement wheel does not use the bushing.

For best grinding results, and to maintain good balance, always keep the wheels properly dressed. Do not force the work against a cold wheel. The grinding wheel should always be run at idle speed for one full minute before applying work. It is recommended that only balanced wheels be used with your grinder. The use of balanced wheels adds years to the life of the bearings on the grinder and by eliminating the most common source of vibration, more accurate work is accomplished.

## DRESSING A GRINDING WHEEL

When dressing a grinding wheel, use a suitable silicone carbide stick type dresser or the wheel dresser wrench provided with the grinder, as shown in Fig. 19. Bring the dresser forward on the tool rest until it just touches the high point on the face of the wheel and dress the wheel by moving the dresser back and forth. Repeat this operation until the face of the grinding wheel is clean and the corners of the wheels are square.

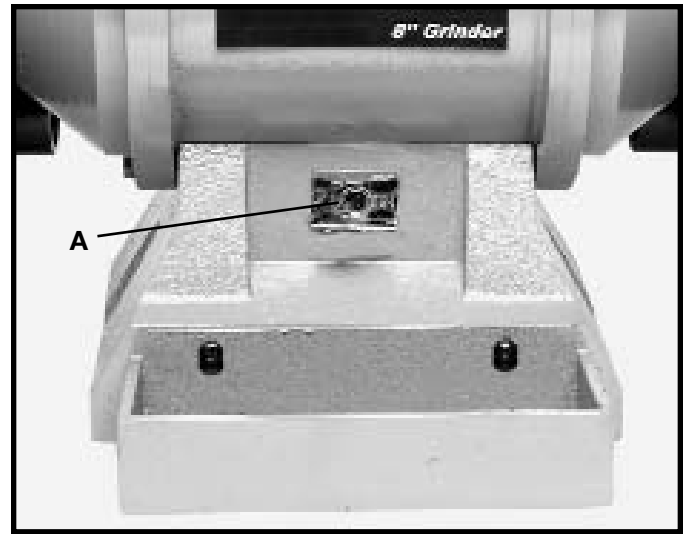


Fig. 18



Fig. 19

## CHANGING GRINDING WHEELS

**CAUTION: DISCONNECT MACHINE FROM POWER SOURCE BEFORE CHANGING GRINDING WHEELS.**

1. When changing wheels, remove the three screws (A) Fig. 20, attaching the side covers to the grinder and remove the side cover (B).
2. To prevent shaft rotation, place a wedge (D) Fig. 21, between the grinding wheel (C) and the tool rest. **NOTE:** Facing the front of the grinder: to replace the wheel on the left side of the grinder, turn the arbor nut (E) Fig. 21, clockwise to loosen; counterclockwise to tighten the arbor nut.
3. To replace the grinding wheel on the right, turn the arbor nut (E), counterclockwise to loosen; clockwise to tighten the arbor nut.
4. The arbor bushing should be saved, for future use, if the replacement wheel does not use the bushing.

**⚠ WARNING: DO NOT OVERTIGHTEN WHEEL NUTS WHEN INSTALLING GRINDING WHEELS. TIGHTEN WHEEL NUT ENOUGH TO DRIVE THE WHEEL AND PREVENT SLIPPAGE, (APPROXIMATELY 5-7 ft/lbs).**

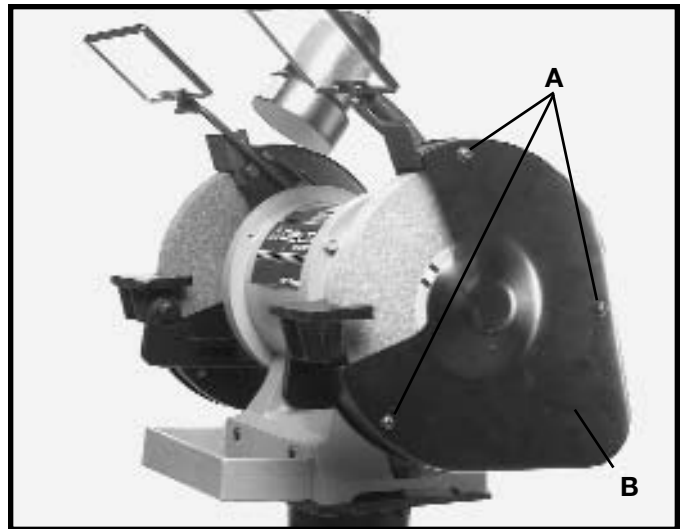


Fig. 20

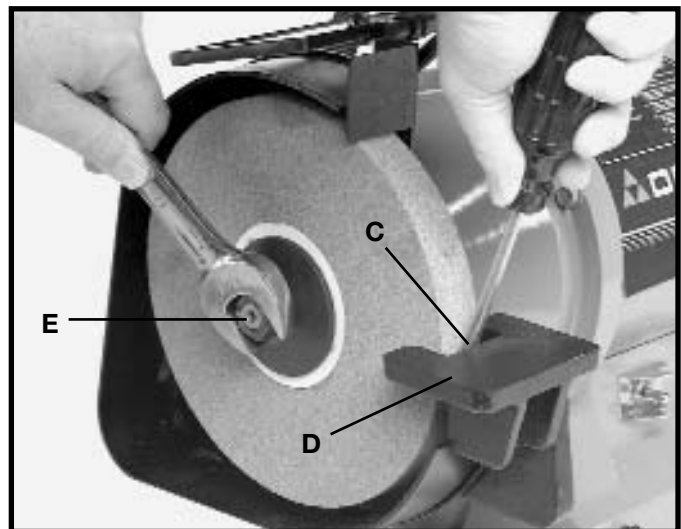


Fig. 21

## DUST PORT

There is one dust port located on the rear of each grinding wheel cover; this dust port enables the user to attach a dust collection system to the grinder. Fig. 22.

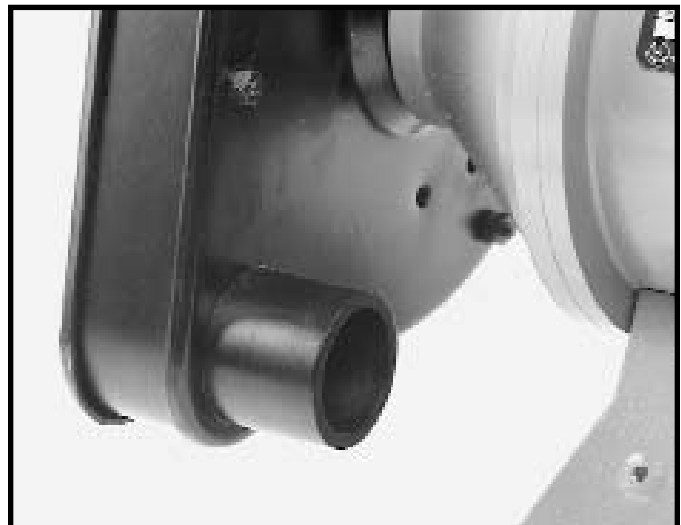


Fig. 22

# OPERATIONS

**IMPORTANT: KEEP SPARK GUARDS AND EYE SHIELDS IN PLACE AT ALL TIMES.**

Figures 23, 24, and 25, illustrate several typical operations that can be accomplished using the grinder. Each tool rest should be positioned a little below the center of the grinding wheel and adjusted so the edge of the tool rest is as close as possible to the grinding wheel for maximum support to the piece that is being ground. This is the most practical and safest position for general work.

As the grinding wheel wears down to a smaller diameter, readjust the tool rest closer to the grinding wheel. Always maintain a distance of 1/8" or less between the grinding wheel and the edge of the tool rest. Free hand grinding without the use of the tool rest should always be done on the lower quarter of the grinding wheel. Please read the "**SAFETY RULES**" in the front of this manual and follow them while operating this tool.



Fig. 23



Fig. 24

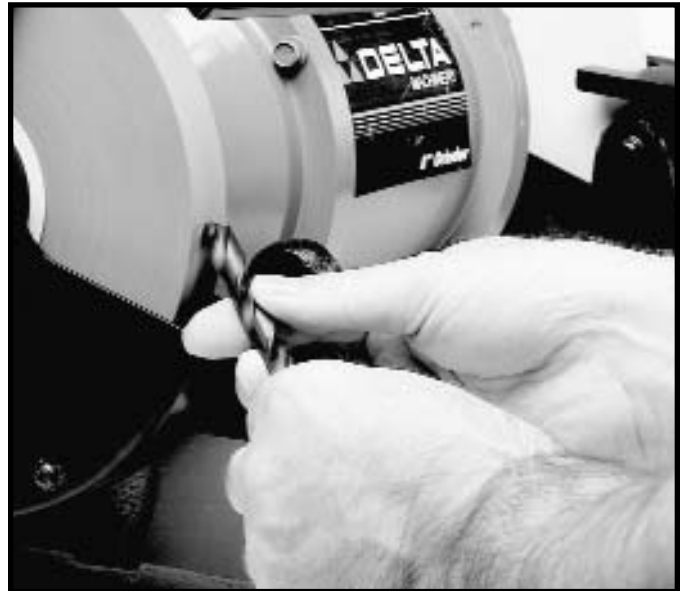



Fig. 25

# ACCESSORIES

A complete line of accessories is available from your Delta Supplier, Porter-Cable Delta Factory Service Centers, and Delta Authorized Service Stations. Please visit our Web Site [www.deltamachinery.com](http://www.deltamachinery.com) for a catalog or for the name of your nearest supplier.

 **WARNING:** Since accessories, other than those offered by Delta, have not been tested with this product, use of such accessories could be hazardous. For safest operation, only Delta recommended accessories should be used with this product.



## PARTS, SERVICE OR WARRANTY ASSISTANCE

All Delta Machines and accessories are manufactured to high quality standards and are serviced by a network of Porter-Cable Delta Factory Service Centers and Delta Authorized Service Stations. To obtain additional information regarding your Delta quality product or to obtain parts, service, warranty assistance, or the location of the nearest service outlet, please call 1-800-223-7278 (In Canada call 1-800-463-3582).



## Two Year Limited Warranty

Delta will repair or replace, at its expense and at its option, any Delta machine, machine part, or machine accessory which in normal use has proven to be defective in workmanship or material, provided that the customer notifies his supplying distributor of the alleged defect within two years from the date of delivery to him, of the product and provides Delta Machinery with reasonable opportunity to verify the defect by inspection. Delta Machinery may require that electric motors be returned prepaid to the supplying distributor or authorized service center for inspection and repair or replacement. Delta Machinery will not be responsible for any asserted defect which has resulted from misuse, abuse or repair or alteration made or specifically authorized by anyone other than an authorized Delta service facility or representative. Under no circumstances will Delta Machinery be liable for incidental or consequential damages resulting from defective products. This warranty is Delta Machinery's sole warranty and sets forth the customer's exclusive remedy, with respect to defective products; all other warranties, express or implied, whether of merchantability, fitness for purpose, or otherwise, are expressly disclaimed by Delta.



# NOTES

## PORTER-CABLE DELTA SERVICE CENTERS (CENTROS DE SERVICIO DE PORTER-CABLE DELTA)

Parts and Repair Service for Porter-Cable Delta Power Tools are Available at These Locations

### ARIZONA

Tempe 85282 (Phoenix)  
2400 West Southern Avenue  
Suite 105  
Phone: (602) 437-1200  
Fax: (602) 437-2200

### CALIFORNIA

Ontario 91761 (Los Angeles)  
3949A East Guasti Road  
Phone: (909) 390-5555  
Fax: (909) 390-5554

San Leandro 94577 (Oakland)

3039 Teagarden Street  
Phone: (510) 357-9762  
Fax: (510) 357-7939

### FLORIDA

Davie 33314 (Miami)  
4343 South State Rd. 7 (441)  
Unit #107  
Phone: (954) 321-6635  
Fax: (954) 321-6638

Tampa 33609

4538 W. Kennedy Boulevard  
Phone: (813) 877-9585  
Fax: (813) 289-7948

### GEORGIA

Forest Park 30297 (Atlanta)  
5442 Frontage Road,  
Suite 112  
Phone: (404) 608-0006  
Fax: (404) 608-1123

### ILLINOIS

Addison 60101 (Chicago)  
311 Laura Drive  
Phone: (630) 628-6100  
Fax: (630) 628-0023

Woodridge 60517 (Chicago)

2033 West 75th Street  
Phone: (630) 910-9200  
Fax: (630) 910-0360

### MARYLAND

Elkridge 21075 (Baltimore)  
7397-102 Washington Blvd.  
Phone: (410) 799-9394  
Fax: (410) 799-9398

### MASSACHUSETTS

Braintree 02185 (Boston)  
719 Granite Street  
Phone: (781) 848-9810  
Fax: (781) 848-6759

Franklin 02038 (Boston)

Franklin Industrial Park  
101E Constitution Blvd.  
Phone: (508) 520-8802  
Fax: (508) 528-8089

### MICHIGAN

Madison Heights 48071 (Detroit)  
30475 Stephenson Highway  
Phone: (248) 597-5000  
Fax: (248) 597-5004

### MINNESOTA

Minneapolis 55429  
4315 68th Avenue North  
Phone: (763) 561-9080  
Fax: (763) 561-0653

### MISSOURI

North Kansas City 64116  
1141 Swift Avenue  
P.O. Box 12393  
Phone: (816) 221-2070  
Fax: (816) 221-2897

St. Louis 63119

7574 Watson Road  
Phone: (314) 968-8950  
Fax: (314) 968-2790

### NEW YORK

Flushing 11365-1595 (N.Y.C.)  
175-25 Horace Harding Expwy.  
Phone: (718) 225-2040  
Fax: (718) 423-9619

### NORTH CAROLINA

Charlotte 28270  
9129 Monroe Road, Suite 115  
Phone: (704) 841-1176  
Fax: (704) 708-4625

### OHIO

Columbus 43214  
4560 Indianola Avenue  
Phone: (614) 263-0929  
Fax: (614) 263-1238

Cleveland 44125  
8001 Sweet Valley Drive  
Unit #19  
Phone: (216) 447-9030  
Fax: (216) 447-3097

### OREGON

Portland 97230  
4916 NE 122 nd Ave.  
Phone: (503) 252-0107  
Fax: (503) 252-2123

### PENNSYLVANIA

Willow Grove 19090  
520 North York Road  
Phone: (215) 658-1430  
Fax: (215) 658-1433

### TEXAS

Carrollton 75006 (Dallas)  
1300 Interstate 35 N, Suite 112  
Phone: (972) 446-2996  
Fax: (972) 446-8157

Houston 77055

West 10 Business Center  
1008 Wirt Road, Suite 120  
Phone: (713) 682-0334  
Fax: (713) 682-4867

### WASHINGTON

Renton 98055 (Seattle)  
268 Southwest 43rd Street  
Phone: (425) 251-6680  
Fax: (425) 251-9337

Authorized Service Stations are located in many large cities. Telephone **800-487-8665** or **901-541-6042** for assistance locating one. Parts and accessories for Porter-Cable Delta products should be obtained by contacting any Porter-Cable Delta Distributor, Authorized Service Center, or Porter-Cable Delta Factory Service Center. If you do not have access to any of these, call **888-848-5175** and you will be directed to the nearest Porter-Cable Delta Factory Service Center.

## CANADIAN PORTER-CABLE DELTA SERVICE CENTERS

### ALBERTA

Bay 6, 2520-23rd St. N.E.  
Calgary, Alberta  
T2E 8L2  
Phone: (403) 735-6166  
Fax: (403) 735-6144

### BRITISH COLUMBIA

8520 Baxter Place  
Burnaby, B.C.  
V5A 4T8  
Phone: (604) 420-0102  
Fax: (604) 420-3522

### MANITOBA

1699 Dublin Avenue  
Winnipeg, Manitoba  
R3H 0H2  
Phone: (204) 633-9259  
Fax: (204) 632-1976

### ONTARIO

505 Southgate Drive  
Guelph, Ontario  
N1H 6M7  
Phone: (519) 836-2840  
Fax: (519) 767-4131

### QUÉBEC

1515 ave.  
St-Jean Baptiste,  
Québec, Québec  
G2E 5E2  
Phone: (418) 877-7112  
Fax: (418) 877-7123

1447, Begin  
St-Laurent, (Montréal), Québec  
H4R 1V8  
Phone: (514) 336-8772  
Fax: (514) 336-3505

The following are trademarks of PORTER-CABLE DELTA Corporation (Las siguientes son marcas registradas de PORTER-CABLE S.A.): BAMMER®, INNOVATION THAT WORKS®, JETSTREAM®, LASERLOC®, OMNIJIG®, POCKET CUTTER®, PORTA-BAND®, PORTA-PLANE®, PORTER-CABLE®, QUICKSAND®, SANDTRAP®, SAW BOSS®, SPEED-BLOC®, SPEEDMATIC®, SPEEDTRONIC®, STAIR-EASE®, THE PROFESSIONAL EDGE®, THE PROFESSIONAL SELECT®, TIGER CUB®, TIGER SAW®, TORQBUSTER®, WHISPER SERIES®, DURATRONIC™, FLEX™, FRAME SAW™, MICRO-SET™, MORTEN™, NETWORK™, RIPTIDE™, TRU-MATCH™, WOODWORKER'S CHOICE™.

Trademarks noted with ® are registered in the United States Patent and Trademark Office and may also be registered in other countries. Las Marcas Registradas con el signo de ® son registradas por la Oficina de Registros y Patentes de los Estados Unidos y también pueden estar registradas en otros países.

## Free Manuals Download Website

<http://myh66.com>

<http://usermanuals.us>

<http://www.somanuals.com>

<http://www.4manuals.cc>

<http://www.manual-lib.com>

<http://www.404manual.com>

<http://www.luxmanual.com>

<http://aubethermostatmanual.com>

Golf course search by state

<http://golfingnear.com>

Email search by domain

<http://emailbydomain.com>

Auto manuals search

<http://auto.somanuals.com>

TV manuals search

<http://tv.somanuals.com>