

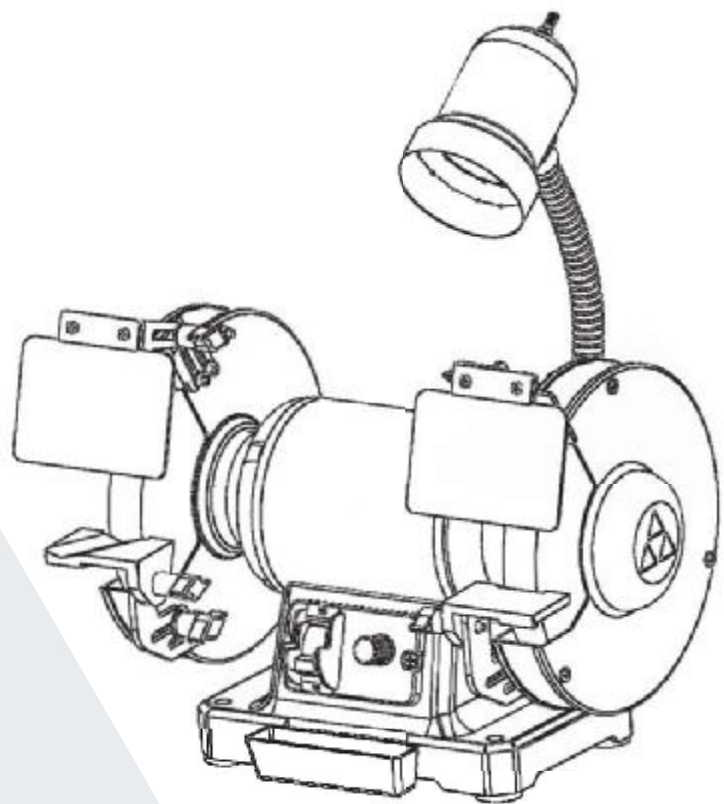
# DELTA®

## POWER EQUIPMENT CORPORATION

### VARIABLE SPEED GRINDER

Meuleuse/Affûteuse  
à vitesse variable

Rectificadora  
de velocidad  
variable



Français (16)  
Español (30)

[www.DeltaMachinery.com](http://www.DeltaMachinery.com)

Instruction Manual  
Manuel d'utilisation  
Manual de instrucciones

INSTRUCTIVO DE OPERACIÓN, CENTROS  
DE SERVICIO Y PÓLIZA DE GARANTÍA.

**⚠ ADVERTENCIA:** LÉASE ESTE INSTRUCTIVO  
ANTES DE USAR EL PRODUCTO.

23-196 (6-Inch)

23-197 (8-Inch)



## TABLE OF CONTENTS

<p>IMPORTANT SAFETY INSTRUCTIONS ..... 2</p> <p>SAFETY GUIDELINES - DEFINITIONS..... 3</p> <p>GENERAL SAFETY RULES ..... 3</p> <p>ADDITIONAL SPECIFIC SAFETY RULES..... 4</p> <p>POWER CONNECTIONS ..... 6</p> <p>MOTOR SPECIFICATIONS ..... 6</p> <p>GROUNDING INSTRUCTIONS ..... 6</p> <p>EXTENSION CORDS ..... 7</p> <p>KEY FEATURES AND COMPONENTS..... 7</p> <p>FUNCTIONAL DESCRIPTION..... 7</p> <p>PRODUCT SPECIFICATIONS..... 8</p> <p>UNPACKING ..... 8</p> <p>ASSEMBLY ..... 9</p> <p style="padding-left: 20px;">Attach Spark Shield and Grinding Shield ..... 9</p> <p style="padding-left: 20px;">Attach Tool Rest ..... 9</p> <p style="padding-left: 20px;">Tool Storage ..... 10</p> <p style="padding-left: 20px;">Confirm Tightness of Arbor Nuts..... 10</p>	<p>OPERATION..... 11</p> <p style="padding-left: 20px;">Starting And Stopping ..... 11</p> <p style="padding-left: 20px;">Locking the Machine ..... 11</p> <p style="padding-left: 20px;">Using the Variable Speed Control ..... 11</p> <p style="padding-left: 20px;">Using the Flexible Lamp ..... 11</p> <p>MAINTENANCE</p> <p style="padding-left: 20px;">Grinding Wheels ..... 12</p> <p style="padding-left: 20px;">Dressing the Wheels ..... 12</p> <p style="padding-left: 20px;">Replacing or Changing Grinding Wheels..... 13</p> <p>OTHER RECOMMENDED MAINTENANCE..... 13</p> <p>ACCESSORIES..... 14</p> <p>WARRANTY ..... 14</p> <p>REPLACEMENT PARTS..... 15</p> <p>SERVICE AND REPAIRS ..... 15</p> <p>FRANÇAIS ..... 16</p> <p>ESPAÑOL..... 30</p>
---	---

## IMPORTANT SAFETY INSTRUCTIONS

**⚠ WARNING:** READ AND UNDERSTAND ALL WARNINGS AND OPERATING INSTRUCTIONS BEFORE USING THIS EQUIPMENT. Failure to follow all instructions listed below, may result in electric shock, fire, and/or serious personal injury or property damage.

Woodworking can be dangerous if safe and proper operating procedures are not followed. As with all machinery, there are certain hazards involved with the operation of the product. Using the machine with respect and caution will considerably lessen the possibility of personal injury. However, if normal safety precautions are overlooked or ignored, personal injury to the operator may result. Safety equipment such as guards, push sticks, hold-downs, featherboards, goggles, dust masks and hearing protection can reduce your potential for injury. But even the best guard won't make up for poor judgment, carelessness or inattention. **Always use common sense** and exercise caution in the workshop. If a procedure feels dangerous, don't try it. Figure out an alternative procedure that feels safer. **REMEMBER:** Your personal safety is your responsibility. For additional information please visit our website [www.DeltaMachinery.com](http://www.DeltaMachinery.com).



**⚠ WARNING:** This machine was designed for certain applications only. DELTA® Power Equipment Corporation strongly recommends that this machine not be modified and/or used for any application other than that for which it was designed. If you have any questions relative to a particular application, DO NOT use the machine until you have first contacted DELTA® to determine if it can or should be performed on the product.

If you have any questions relative to its application DO NOT use the product until you have written DELTA® Power Equipment Corporation and we have advised you. Contact us online at [www.DeltaMachinery.com](http://www.DeltaMachinery.com) or by mail at Technical Service Manager, DELTA® Power Equipment Corporation, 1924 Pearman Dairy Rd, Anderson SC 29625.

Information regarding the safe and proper operation of this tool is available from the following sources:

- Power Tool Institute, 1300 Sumner Avenue, Cleveland, OH 44115-2851 or online at [www.powertoolinstitute.com](http://www.powertoolinstitute.com)
- National Safety Council, 1121 Spring Lake Drive, Itasca, IL 60143-3201
- American National Standards Institute, 25 West 43rd Street, 4 floor, New York, NY 10036 [www.ansi.org](http://www.ansi.org) - ANSI 01.1 Safety Requirements for Woodworking Machines
- U.S. Department of Labor regulations [www.osha.gov](http://www.osha.gov)

## SAFETY GUIDELINES - DEFINITIONS

This manual contains information that is important for you to know and understand. This information relates to protecting YOUR SAFETY and PREVENTING EQUIPMENT PROBLEMS. To help you recognize this information, we use the symbols below. Please read the manual and pay attention to these sections.

**▲ DANGER:** Indicates an imminently hazardous situation which, if not avoided, will result in death or serious injury.

**▲ WARNING:** Indicates a potentially hazardous situation which, if not avoided, could result in death or serious injury.

**▲ CAUTION:** Indicates a potentially hazardous situation which, if not avoided, may result in minor or moderate injury.

**CAUTION** Used without the safety alert symbol indicates potentially hazardous situation which, if not avoided, may result in property damage.

## GENERAL SAFETY RULES

**▲ WARNING:** WARNING FAILURE TO FOLLOW THESE RULES MAY RESULT IN SERIOUS PERSONAL INJURY.

- **FOR YOUR OWN SAFETY, READ AND UNDERSTAND THE INSTRUCTION MANUAL BEFORE OPERATING THE UNIT.** Learn the unit's application and limitations as well as the specific hazards peculiar to it.
- **KEEP WORK AREA CLEAN.** Cluttered areas and benches invite accidents.
- **DON'T USE IN DANGEROUS ENVIRONMENT.** Don't use this unit in damp or wet locations, or expose it to rain. Keep work area well-lighted.
- **KEEP CHILDREN AND VISITORS AWAY.** All children and visitors should be kept a safe distance from work area.
- **DISCONNECT UNIT** before servicing.
- **CHECK DAMAGED PARTS.** Before further use of the unit, properly repair or replace any part that is damaged.

**▲ WARNING:** FAILURE TO FOLLOW THESE RULES MAY RESULT IN SERIOUS INJURY.

1. Read and understand the warnings posted on the machine and in this manual. Failure to comply with all of these warnings may cause serious injury.
2. Replace the warning labels if they become obscured or removed.
3. This machine is designed and intended for use by properly trained and experienced personnel only. If you are not familiar with the proper and safe operation of a bench grinder, do not use until proper training and knowledge have been obtained.
4. Do not use this machine for other than its intended use. If used for other purposes, DELTA® Power Equipment Corporation disclaims any real or implied warranty and holds itself harmless from any injury that may result from that use.
5. Always wear approved safety glasses/face shields while using this grinder.
6. Before operating this grinder, remove tie, rings, watches and other jewelry, and roll sleeves up past the elbows. Remove all loose clothing and confine long hair. Non-slip footwear or anti-skid floor strips are recommended. Do not wear gloves.
7. Wear ear protectors (plugs or muffs) during extended periods of operation.
8. Some dust created by power sanding, sawing, grinding, drilling and other construction activities contain chemicals known to cause cancer, birth defects or other reproductive harm. Some examples of these chemicals are:
  - Lead from lead based paint.
  - Crystalline silica from bricks, cement and other masonry products.
  - Arsenic and chromium from chemically treated lumber.
9. Do not operate this machine while tired or under the influence of drugs, alcohol or any medication.
10. Make certain the switch is in the OFF position before connecting the machine to the power source.
11. Make certain the machine is properly grounded.
12. Make all machine adjustments or maintenance with the machine unplugged from the power source.
13. Form a habit of checking to see that all extra equipment such as adjusting keys, wrenches, scrap, stock, and cleaning rags are removed away from the

**Your risk of exposure varies, depending on how often you do this type of work.** To reduce your exposure to these chemicals, work in a well-ventilated area and work with approved safety equipment, such as face or dust masks that are specifically designed to filter out microscopic particles.

*continued on page 4*

13. Form a habit of checking to see that all extra equipment such as adjusting keys, wrenches, scrap, stock, and cleaning rags are removed away from the machine before turning on.
14. Keep safety guards in place at all times when the machine is in use. If removed for maintenance purposes, use extreme caution and replace the guards immediately when maintenance is complete.
15. Make sure the tool is firmly secured to a stable work surface before use.
16. Check damaged parts. Before further use of the machine, a guard or other part that is damaged should be carefully checked to determine that it will operate properly and perform its intended function. Check for alignment of moving parts, binding of moving parts, breakage of parts, mounting and any other conditions that may affect its operation. A guard or other part that is damaged should be properly repaired or replaced.
17. Provide for adequate space surrounding work area and non-glare, overhead lighting.
18. Keep the floor around the machine clean and free of scrap material, oil and grease.
19. Keep visitors a safe distance from the work area. Keep children away.
20. Make your workshop child proof with padlocks, master switches or by removing starter keys.
21. Give your work undivided attention. Looking around, carrying on a conversation and "horse-play" are careless acts that can result in serious injury.
22. Maintain a balanced stance at all times so that you do not fall or lean against the tool or its moving parts. Do not overreach or use excessive force to perform any machine operation.
23. Use the right tool at the correct speed and feed rate. Do not force a tool or attachment to do a job for which it was not designed. The right tool will do the job better and safer.
24. Use recommended accessories; improper accessories may be hazardous.
25. Maintain machinery with care. Follow instructions for lubricating and changing accessories.
26. Turn off the machine before cleaning. Use a brush or compressed air to remove dust or debris — do not use your hands.
27. Do not stand on the machine. Serious injury could occur if the machine tips over.
28. Never leave the machine running unattended. Turn the power off and do not leave the machine until it comes to a complete stop.
29. At all times, hold the stock firmly.
30. Do not use this tool for other than its intended use. If used for other purposes, DELTA® Power Equipment Corporation disclaims any real or implied warranty and holds itself harmless for any injury or damage which may result from that use.

Familiarize yourself with the following safety notices used in this manual:

**▲ CAUTION:**

This means that if precautions are not heeded, it may result in minor injury and/or possible machine damage.

**▲ WARNING:**

This means that if precautions are not heeded, it may result in serious injury or possibly even death.

## ADDITIONAL SPECIFIC SAFETY RULES

**▲ WARNING:** Failure to follow these rules may result in serious personal injury.

1. **DO NOT** operate this machine until it is completely assembled and installed according to the instructions. A machine incorrectly assembled can cause serious injury.
2. **OBTAIN ADVICE** from your supervisor, instructor, or another qualified person if you are not thoroughly familiar with the operation of this machine. Knowledge is safety.
3. **FOLLOW ALL WIRING CODES** and recommended electrical connections to prevent shock or electrocution.
4. **ALWAYS USE THE PROVIDED BLOTTER** and wheel flanges to mount the grinding wheels on the grinder shaft to prevent wheel damage or accidental separation. Separation can result in fragments flying off the wheel at high speeds.
5. **USE ONLY WHEELS** suitable for the speed of the machine. Unsuitable grinding wheels can come apart, throwing fragments out at high speeds.
6. **USE ONLY WHEELS** that have a bore exactly equal to the arbors of the machine. Never attempt to machine an undersized wheel to fit an arbor. Unsuitable grinding wheels can come apart, throwing fragments out at high speeds.
7. **DO NOT** overtighten wheel nut.
8. **DO NOT USE A WHEEL THAT VIBRATES.** Dress the grinding wheel, replace it, or replace the bearings of the shaft. Unsuitable grinding wheels can come apart, throwing fragments at high speeds.
9. **INSPECT WHEELS** before starting the machine for cracks or fragments. **REPLACE DAMAGED WHEELS** immediately. Parts of the wheel can be thrown at high speeds causing serious injury.
10. **ADJUST EYE SHIELDS** close to the grinding wheel, and re-adjust as the wheel wears down. Flying sparks are dangerous and can cause fires or explosions.

## ADDITIONAL SPECIFIC SAFETY RULES

11. **ALWAYS MAKE SURE** the eye shields are in place, properly adjusted, and secured.
12. **ADJUST TOOL RESTS** close to the grinding wheel (1/8" separation or less). Tighten the tool rest securely to prevent shifting positions, and re-adjust as the wheel wears down. The workpiece can be drawn into the wheel, causing damage to the workpiece and/or serious injury.
13. **STAND TO ONE SIDE** before turning the machine "ON". Loose fragments or wheel parts could fly from the wheel at high speeds.
14. **NEVER GRIND ON A COLD WHEEL.** Run the grinder for one full minute before applying the workpiece. A cold wheel has a tendency to chip. Those fragments could fly from the wheel at high speeds.
15. **NEVER START THE MACHINE** with the workpiece against the grinding wheel. The workpiece can be drawn into the wheel, causing damage to the machine and/or serious injury.
16. **CLEAN THE MACHINE** thoroughly when processing different types of workpieces (wood, steel, or aluminum). Combining wood and metal dust can create an explosion or fire hazard. **DO NOT GRIND** or polish magnesium. Fire will result.
17. **NEVER GRIND NEAR FLAMMABLE GAS OR LIQUIDS.** Sparks can create a fire or an explosion.
18. **AVOID** awkward operations and hand positions. A sudden slip could cause a hand to move into the grinding wheel.
19. **KEEP ARMS, HANDS,** and fingers away from the wheel. The abrasive surfaces can cause serious injury.
20. **HOLD THE WORKPIECE FIRMLY** against the tool rest. Loss of control of the workpiece can cause serious injury.
21. **DRESS THE WHEEL** on the face only. Dressing the side of the wheel could cause it to become too thin for safe use.
22. **GRIND A WORKPIECE** using the face of the grinding wheel only. Loss of control of the workpiece can cause serious injury.
23. **NEVER APPLY COOLANT** directly to the grinding wheel. Coolant can weaken the bonding strength of the grinding wheel and cause it to fail. Dip the workpiece in water to cool it.
24. **DO NOT TOUCH** the ground portion of a workpiece until it has cooled sufficiently. Grinding creates heat.
25. **PROPERLY SUPPORT LONG OR WIDE** workpieces. Loss of control of the workpiece can cause serious injury.
26. **NEVER PERFORM LAYOUT,** assembly, or set-up work on the table/work area when the machine is running. A sudden slip could cause a hand to move into the wheel. Severe injury can result.
27. **TURN THE MACHINE "OFF",** disconnect the machine from the power source, and clean the table/work area before leaving the machine. Lock the switch in the "OFF" position to prevent unauthorized use. Someone else might accidentally start the machine and cause serious injury to themselves.
28. **ADDITIONAL INFORMATION** regarding the safe and proper operation of power tools (i.e. a safety video) is available from the Power Tool Institute, 1300 Sumner Avenue, Cleveland, OH 44115-2851 ([www.powertoolinstitute.com](http://www.powertoolinstitute.com)). Information is also available from the National Safety Council, 1121 Spring Lake Drive, Itasca, IL 60143-3201. Please refer to the American National Standards Institute ANSI 01.1 Safety Requirements for Woodworking Machines and the U.S. Department of Labor OSHA 1910.213 Regulations.

## CALIFORNIA PROPOSITION 65

### WARNING

Some dust created by power sanding, sawing, grinding, drilling and other construction activities contains chemicals known to the state of California to cause cancer, birth defects or other reproductive harm. Some examples of these chemicals are:

- Lead from lead-based paints,
- Crystalline silica from bricks and cement and other masonry products, and
- Arsenic and chromium from chemically-treated lumber.

Your risk from these exposures varies, depending on how often you do this type of work. To reduce your exposure to these chemical: work in a well ventilated area, and work with approved safety equipment, such as those dust masks that are specially designed to filter out microscopic particles. Avoid prolonged contact with dust from power sanding, sawing, grinding, drilling, and other construction activities. Wear protective clothing and wash exposed areas with soap and water. Allowing dust to get into your mouth, eyes, or lay on the skin may promote absorption of harmful chemicals.

### WARNING

Use of this tool can generate and/or disperse dust, which may cause serious and permanent respiratory or other injury. Always use NIOSH/OSHA approved respiratory protection appropriate for the dust exposure. Direct particles away from face and body.

**SAVE THESE INSTRUCTIONS.**  
Refer to them often and use them to instruct others.

## POWER CONNECTIONS

A separate electrical circuit should be used for your machines. This circuit should not be less than #12 wire and should be protected with a 20 Amp time lag fuse. If an extension cord is used, use only 3-wire extension cords which have 3-prong grounding type plugs and matching receptacle which will accept the machine's plug. Before connecting the machine to the power line, make sure the switch (s) is in the "OFF" position and be sure that the electric current is of the same characteristics as indicated on the machine. All line connections should make good contact. Running on low voltage will damage the machine.

**⚠ DANGER:** DO NOT EXPOSE THE MACHINE TO RAIN OR OPERATE THE MACHINE IN DAMP LOCATIONS.

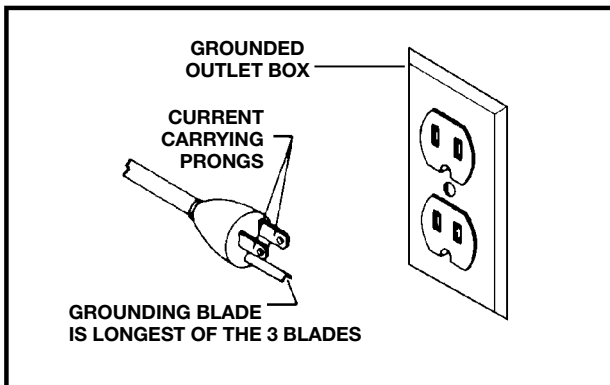


FIG. A

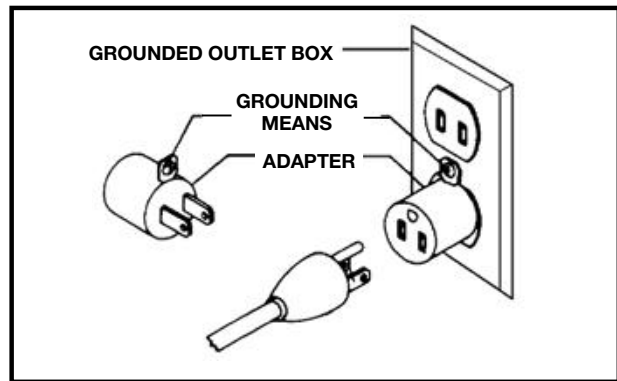


FIG. B

### MOTOR SPECIFICATIONS

Your machine is wired for 120 volts, 60 HZ alternating current. Before connecting the machine to the power source, make sure the switch is in the "OFF" position.

### GROUNDING INSTRUCTIONS

**⚠ DANGER:** THIS MACHINE MUST BE GROUNDED WHILE IN USE TO PROTECT THE OPERATOR FROM ELECTRIC SHOCK.

#### 1. All grounded, cord-connected machines:

In the event of a malfunction or breakdown, grounding provides a path of least resistance for electric current to reduce the risk of electric shock. This machine is equipped with an electric cord having an equipment-grounding conductor and a grounding plug. The plug must be plugged into a matching outlet that is properly installed and grounded in accordance with all local codes and ordinances.

Do not modify the plug provided - if it will not fit the outlet, have the proper outlet installed by a qualified electrician.

Improper connection of the equipment-grounding conductor can result in risk of electric shock. The conductor with insulation having an outer surface that is green with or without yellow stripes is the equipment-grounding conductor. If repair or replacement of the electric cord or plug is necessary, do not connect the equipment-grounding conductor to a live terminal.

Check with a qualified electrician or service personnel if the grounding instructions are not completely understood, or if in doubt as to whether the machine is properly grounded.

Use only 3-wire extension cords that have 3-prong grounding type plugs and matching 3-conductor receptacles that accept the machine's plug, as shown in Fig. A.

Repair or replace damaged or worn cord immediately.

**⚠ DANGER:** IN ALL CASES, MAKE CERTAIN THE RECEPTACLE IN QUESTION IS PROPERLY GROUNDED. IF YOU ARE NOT SURE, HAVE A QUALIFIED ELECTRICIAN CHECK THE RECEPTACLE.

## EXTENSION CORDS

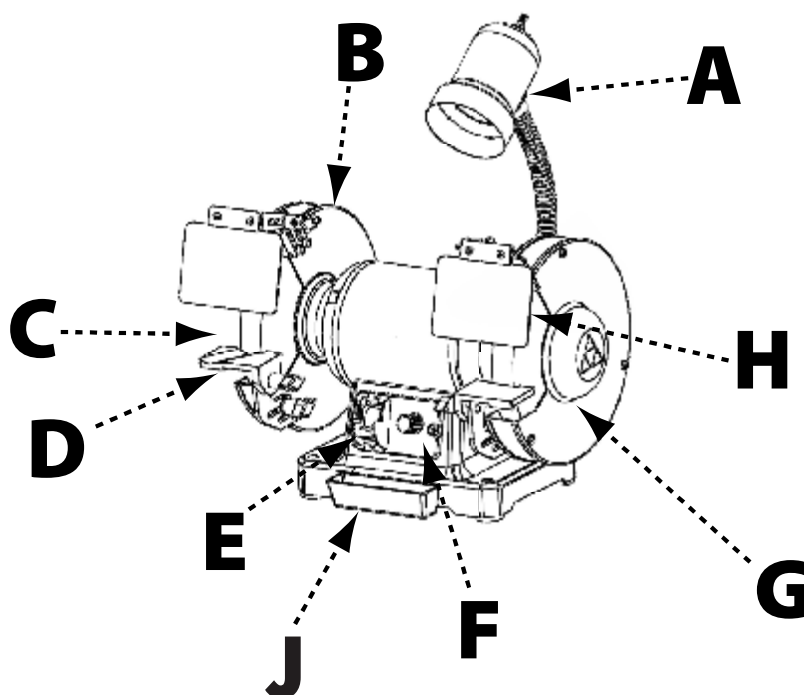
**⚠ CAUTION:** Use proper extension cords. Make sure your extension cord is in good condition and is a 3-wire extension cord which has a 3-prong grounding type plug and matching receptacle which will accept the machine's plug. When using an extension cord, be sure to use one heavy enough to carry the current of the machine. An undersized cord will cause a drop in line voltage, resulting in loss of power and overheating. The table shows the correct gauge to use depending on the cord length. If in doubt, use the next heavier gauge. The smaller the gauge number, the heavier the cord.

MINIMUM GAUGE EXTENSION CORD			
RECOMMENDED SIZES FOR USE WITH STATIONARY ELECTRIC MACHINES			
Ampere Rating	Volts	Total Length of Cord in Feet	Gauge of Extension Cord
0-6	120	up to 25	18 AWG
0-6	120	25-50	16 AWG
0-6	120	50-100	16 AWG
0-6	120	100-150	14 AWG
6-10	120	up to 25	18 AWG
6-10	120	25-50	16 AWG
6-10	120	50-100	14 AWG
6-10	120	100-150	12 AWG
10-12	120	up to 25	16 AWG
10-12	120	25-50	16 AWG
10-12	120	50-100	14 AWG
10-12	120	100-150	12 AWG
12-16	120	up to 25	14 AWG
12-16	120	25-50	12 AWG
12-16	120	GREATER THAN 50 FEET NOT RECOMMENDED	

## KEY FEATURES AND COMPONENTS

(features start at the top and move counterclockwise around tool)

- A. Flexible work lamp (bulb not include)
- B. Wheel Guard
- C. Aluminum oxide grinding wheel
- D. Adjustable tool rest
- E. On/Off switch with lock-out key
- F. Variable speed control
- G. Aluminum oxide grinding wheel
- H. Adjustable spark shield
- I. On-board storage for included dressing tool (not shown)
- J. Coolant Tray



## FUNCTIONAL DESCRIPTION

The DELTA® 23-196 is a 6 in. Variable Speed Grinder and the DELTA® 23-197 is an 8 in. Variable Speed Grinder. They offer superior performance in grinding and sharpening operations and, with the proper accessories, allow the user to remove rust and buff or polish metal. This model comes with a flexible lamp, adjustable tool rests, quick release arbor nut system, and two large eye shields for added safety.



# PRODUCT SPECIFICATIONS

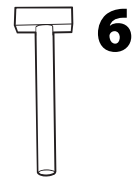
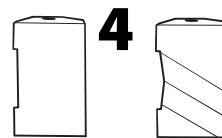
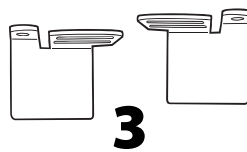
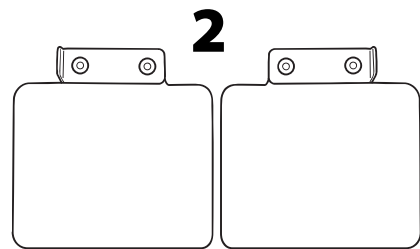
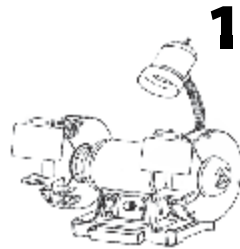
	Model 23-196	Model 23-197
Motor:	2.5 amp, 120V, 1-phase	5 amp, 120V, 1-phase
Wheel Speed:	2,000 to 3,400 rpm	2,000 to 3,400 rpm
Wheel Grit:	36 (coarse), 60 (medium)	36 (coarse), 60 (medium)
Wheel (diameter x thickness)	6" x 3/4"	8" x 1"
Dimensions (LxWxH) (excludes lamp)	15-5/8" x10" x 11-3/4"	16-1/2" x10-3/4" x 13-1/4"
Base Footprint (LxW)	8-3/4" x 6-1/4"	9-3/4" x6-1/2"
Shaft Diameter	1/2"	5/8"
Tool Weight	27lbs	41lbs

# UNPACKING

Compare all parts to the list below and check that all parts are present and in good condition. Report any missing or damaged parts to your distributor or dealer. Prior to tool assembly and use, read this manual thoroughly to familiarize yourself with proper assembly, maintenance and safety procedures.

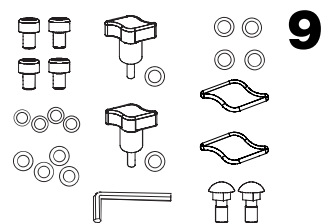
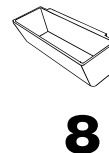
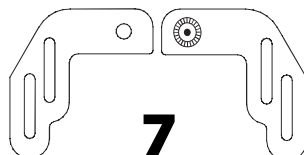
## DESCRIPTION (QUANTITY)

1. 23-196 6 in. Grinder or 23-197 8 in. Grinder (1)
2. Grinding Shields (2)
3. Spark Shields (2)
4. Flat Tool Rest (1)
5. Beveled Tool Rest (1)
6. Wheel Dressing Tool (1)
7. Tool Rest Supports (2)
8. Coolant Tray (1)
9. Hardware Package
10. Operator's Manual (not shown)



## CONTENTS OF HARDWARE PACK

- M6 x 16mm carriage bolts (2)
- Lock washers D6 (2)
- Flat washers D6 (4)
- Eye shields locking knobs (2)
- Tool rest locking knob (2)
- M5 x 10mm Inner hex head screw (4)
- Lock washers D5 (4)
- Flat washers D5 (4)
- Wrench (1)





## UNPACKING

Remove any protective materials and coatings from all of the parts and the tool. The protective coatings can be removed by spraying WD-40 on them and wiping it off with a soft cloth. This may need redone several times before all of the protective coatings are removed completely.

**⚠ WARNING:** If any parts are missing, do not attempt to plug in the power cord and turn "ON" the machine. The machine should only be turned "ON" after all the parts have been obtained and installed correctly.

## ASSEMBLY

### ATTACH SPARK SHIELD AND GRINDING SHIELD

Refer to Figure 1.

1. Fit two M5 x 10mm hex screws with a M5 lock washer and flat washer. Use assembled hex screws and washers to secure spark shield (A) to the wheel guard. Spark shield should be approximately 1/8" from the grinding wheel.
2. Repeat previous step for second spark shield.
3. Use one M6 x 16 mm carriage bolt, inserted through the outermost hole in the spark shield, to attach the grinding shield (B). Secure using one M6 flat washer and one lock washer and a threaded thumb knob.
4. Repeat previous step for second grinding shield.

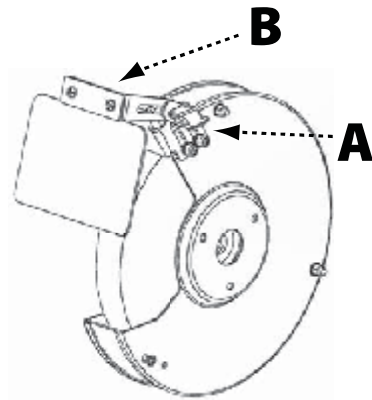


FIGURE 1

### ATTACH TOOL REST

Refer to Figure 2.

1. Remove the knob (D), star washer, and washer from the carriage bolt on the lower portion of wheel guard. Using the carriage bolt, star washer, washer and fastening knob, attach the work rest bracket (A) to the inside of the wheel guard as shown.
2. Attach tool rest (B) to the tool rest support using one tool rest fasten knob.
3. Adjust the position of the tool rest support so that the tool rest is approximately 1/8" from the grinding wheel (C).
4. Repeat above steps for second tool rest.

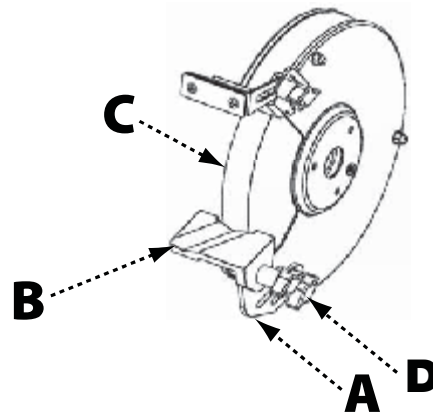


FIGURE 2

# ASSEMBLY

## TOOL STORAGE

Your DELTA® 23-196 (6 in.) or 23-197 (8 in.) Grinder has convenient on-board tool storage for the dressing tool provided. The tool holder, shown in Figure 3, is located on the rear of the grinder base.

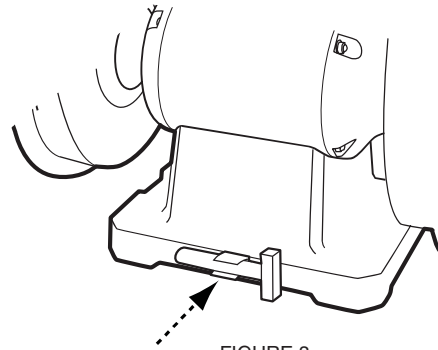


FIGURE 3

## CONFIRM TIGHTNESS OF ARBOR NUTS

Prior to using your grinder for the first time, it is recommended that you check the tightness of the arbor nuts. To check the tightness on the arbor nuts, do the following:

1. Remove the thumb screws (A) securing the outer face of the wheel guard to the tool frame. See Figure 4.
2. Remove guard.
3. Using a suitable Wrench, on the arbor nut (B) while using the other hand to keep the wheel from moving. See Figure 5. Tighten the arbor nut as far as you can.

NOTE: The arbor nut on the right side of the machine tightens by rotating it clockwise, the arbor nut on the left side of the machine tightens by rotating it counterclockwise.

4. Repeat process for other side.

NOTE: As you use your grinder, the force and direction of the wheel will cause the arbor nut to tighten automatically. However, it is recommended that you periodically check the tightness of the nuts as part of your regular tool maintenance.

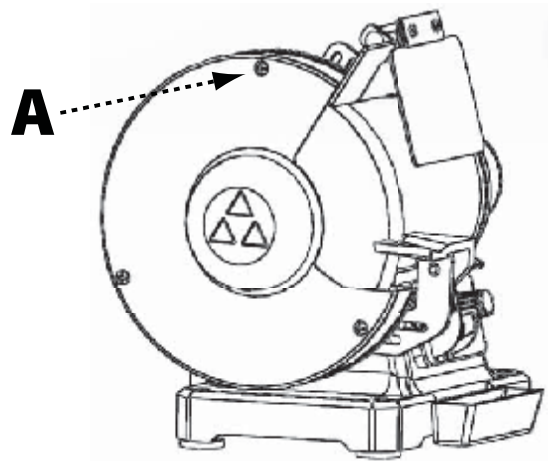


FIGURE 4

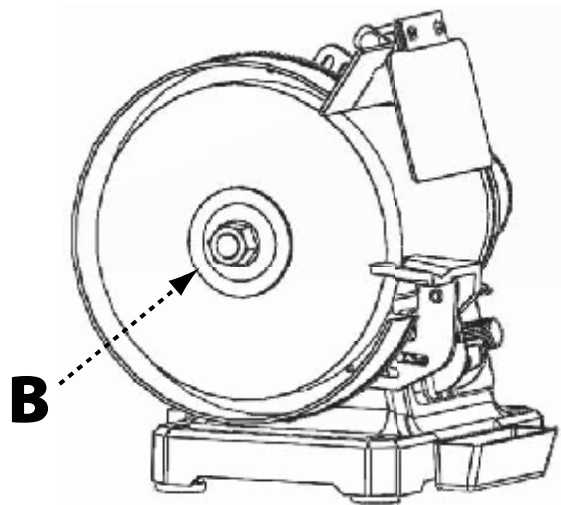


FIGURE 5

# OPERATION

## STARTING AND STOPPING

**⚠ WARNING:** Make sure that the switch is in the "OFF" position before plugging cord into outlet. Do not touch the plug's metal prongs when unplugging or plugging in the cord.

The on/off switch (A) is located on the front of the grinder. See Figure 6. To turn the machine "ON", move the switch up to the "ON" position. To turn the machine "OFF", move the switch down to the "OFF" position.

## LOCKING THE MACHINE

**IMPORTANT:** When the machine is not in use, the switch should be locked in the "OFF" position to prevent unauthorized use.

To lock the machine, remove the switch key (1) by pulling it straight out. See Figure 7. With the switch key removed, the switch will not operate.

Should the switch toggle be removed while the grinder is running, the machine can be turned "OFF," but cannot be restarted unless the switch toggle is re-inserted.

**⚠ WARNING:** In the event of a power outage (such as a breaker or fuse trip), always move the switch to the "OFF" position until the main power is restored.

## USING THE VARIABLE SPEED CONTROL

The grinder is equipped with a variable speed control, located beside the power switch. When the variable speed control knob is positioned at the far left position (counter clockwise), the RPM is 2000. The rotation increases when the variable speed control knob is turned clockwise. Positioned far right, the RPM is 3400.

## USING THE FLEXIBLE LAMP

The flexible lamp operates independently of the grinder. To turn the lamp on and off, rotate the switch located at the top of the lamp.

**⚠ WARNING:** To reduce the risk of fire, use a 40-watt or smaller, 120 volt, reflector track type light bulb (not supplied). A standard household light bulb should not be used. The reflector track type light bulb should not extend below the lampshade.

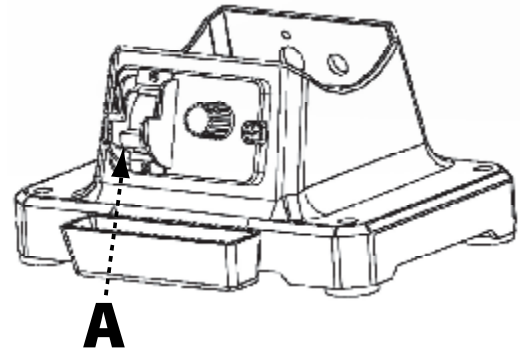


FIGURE 6

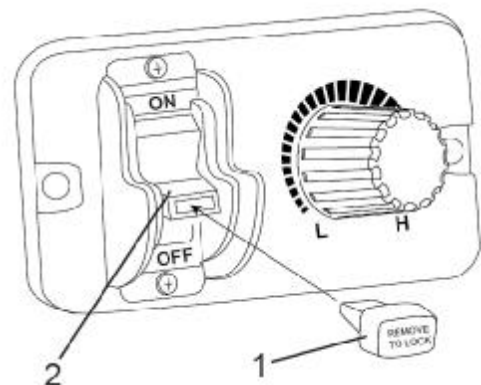


FIGURE 7

## MAINTENANCE

### GRINDING WHEELS

**⚠ WARNING:** The use of accessories and attachments not recommended by DELTA® may result in a risk of injury.

Grinding wheels used with this grinder should be rated for 3600 RPM or higher and have a width of 1" . Grinding wheels for the DELTA® 23-196 must be 6" in diameter with a ½" arbor hole. Grinding wheels for the DELTA® 23-197 must be 8" in diameter with a 5/8" arbor hole.

**⚠ CAUTION:** Using a wheel that is less than ¾" wide for the 6 in. grinder, or 1" wide for the 8 in. grinder, will cause vibration and could damage the machine.

**⚠ WARNING:** ALWAYS maintain a distance of 1/8" or less between the grinding wheel and the tool rest. Adjust the tool rests and spark guards as the grinding wheels decrease in size with use.

The DELTA® 23-196 comes with two 6" aluminum oxide grinding wheel (gray) .

The DELTA® 23-197 comes with two 8" aluminum oxide grinding wheel (gray).

For best results, and to properly maintain the grinding wheels, follow these recommendations:

1. Keep the wheels properly dressed.
2. Do not force the work against a cold wheel. Always run the grinding wheel for one full minute before applying a workpiece.
3. Use only balanced wheels with your grinder. Using balanced wheels adds years to the life of the bearings on the grinder. By eliminating the most common source of vibration, your grinding projects will be more accurate.

### DRESSING THE WHEELS

Your DELTA® 23-196 (6 in.) Grinder or 23-197 (8in.) Grinder come with a diamond-based wheel dresser included. There is on-board storage for the dresser at the rear of the machine for easy access. Use this tool or any other suitable stick-type dresser to keep your grinding wheels clean and square.

To dress the wheel, refer to Figure 8 and do the following:

1. Bring the dresser (A) forward on the tool rest until it just touches the high point on the face of the wheel.
2. Dress the wheel by moving the dresser back forth.
3. Repeat this operation until the face of the grinding wheel is clean and the edges are square.

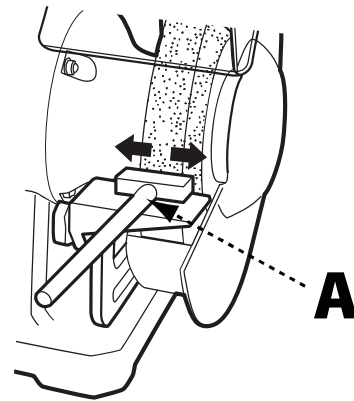


FIGURE 8

## MAINTENANCE

### REPLACING OR CHANGING GRINDING WHEELS

**⚠ WARNING:** Disconnect the machine from the power source.

For steps 1-4, refer to Figures 4 & 5 on page 10:

1. Remove the (3) screws securing the outer face of the wheel guard to the tool frame.
2. Remove the guard.
3. Using a suitable wrench, on the arbor nut (A) while using the other hand to keep the wheel from moving. Loosen the arbor nut.

**NOTE:** To loosen the arbor nut on the right side rotate it counterclockwise. To loosen the arbor nut on the left side rotate it clockwise.

4. Remove the arbor nut (A), wheel flange (B), and old grinding wheel (C), as shown in Figure 9.
5. Place the new grinding wheel on the arbor.

**NOTE:** Grinding wheels for the 23-196 must be  $\frac{3}{4}$ " wide while grinding wheels for the 23-197 must be 1" wide.

6. Place the flange on the arbor and thread the arbor nut on the arbor until the arbor nut makes contact with the arbor flange.
7. Tighten the arbor nut as tight as you can by hand.
8. Replace the wheel guard and secure with the (3) screws previously removed.

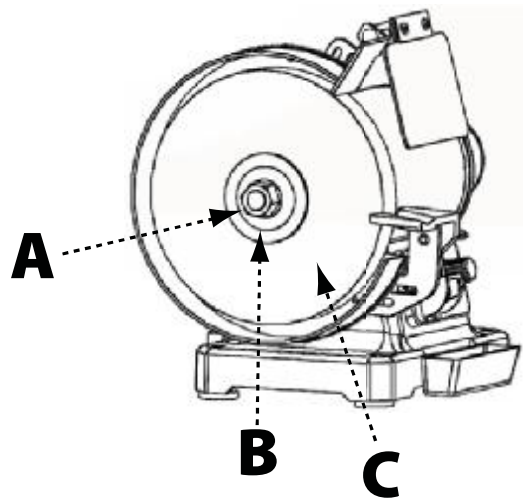


FIGURE 9

## OTHER RECOMMENDED MAINTENANCE

1. Periodically blow out all air passages with dry compressed air. All plastic parts should be cleaned with a soft damp cloth. NEVER use solvents to clean plastic parts. They could possibly dissolve or otherwise damage the material.
2. Periodically inspect the tightness of the arbor nuts.
3. Periodically check tightness on all other hardware and listen for any unusual vibrations as you work as these may be a sign of loose hardware.

## ACCESSORIES

A complete line of accessories is available from your DELTA® Supplier, DELTA® Factory Service Centers, and DELTA® Factory Service Centers, and DELTA® Authorized Service Centers. Please visit our Web Site [www.DeltaMachinery.com](http://www.DeltaMachinery.com) for an online catalog or for the name or your nearest supplier.

**⚠ WARNING:** Since accessories other than those offered by DELTA® have not been tested with this product, use of such accessories could be hazardous. For safest operation, only DELTA® recommended accessories should be used with this product.

## WARRANTY

To register your tool for warranty service visit our website at [www.DeltaMachinery.com](http://www.DeltaMachinery.com).

### FIVE YEAR LIMITED WARRANTY

Delta® Power Equipment Corporation

- 1. WHAT IS COVERED.** Delta Power Equipment Corporation ("Company") will repair or replace, at its option, any new or factory refurbished DELTA® machine or service part which is purchased at retail in the United States or Canada and which in normal use has proven to be defective in workmanship or material, subject to the conditions stated in this Limited Warranty. This Limited Warranty covers only materials and labor. All transportation costs are Customer's responsibility.
- 2. WARRANTY PERIOD.** All warranty claims must be submitted within five years from the date of retail purchase. For all service parts and factory refurbished DELTA® machines, the warranty period is 180 days.
- 3. HOW TO OBTAIN SERVICE.** To obtain warranty service, you must return the defective product, at your expense, to a service center authorized by Company to perform warranty service (a "DELTA® Authorized Service Center") within the applicable warranty period, together with acceptable proof of purchase, such as your original receipt bearing the date of purchase, or product registration number. Company reserves the right to restrict warranty claim service to the country where the purchase was made and/or to charge for the cost to export service parts or provide warranty service in a different country. On-line purchases are deemed made in the United States. For the location of your nearest DELTA® Authorized Service Center, call Company's Customer Care Center at (800) 223-7278.
- 4. EXCLUSIONS.**
  - Company does not offer any warranty on products purchased in used or damaged condition.
  - Company does not warranty any products purchased outside the United States or Canada
  - Company will not be responsible for any damage that has resulted from normal wear, misuse, abuse or any repair or alteration made by anyone other than a DELTA® Authorized Service Center or a designated representative of Company's Customer Care Center.
  - All IMPLIED WARRANTIES are expressly limited to the warranty period identified above.
  - Under no circumstances will Company be liable for INCIDENTAL OR CONSEQUENTIAL damages
  - This limited warranty is Company's sole warranty and sets forth the customer's exclusive remedy with respect to defective products; all other warranties, express or implied, whether of merchantability, fitness for purpose, or otherwise, are expressly disclaimed by Company, except as stated above.

Some states do not allow the exclusion or limitation of incidental or consequential damages, or the limitation of implied warranties, so the above limitations or exclusions may not apply to you. This warranty gives you specific legal rights and you may have other rights which vary in certain states or provinces. For further details of warranty coverage and warranty repair information, call (800) 223-7278. To register your products online, we encourage you to visit our website and register for a FREE DELTA Member Account at <http://www.deltamachinery.com/register>.

**LATIN AMERICA:** This warranty does not apply to products sold in Latin America. For products sold in Latin America, see country specific warranty information contained in the packaging, call the local company or see website for warranty information.



## PARTS, SERVICE OR WARRANTY ASSISTANCE

All DELTA® machines and accessories are manufactured to high quality standards and are serviced by a network of DELTA® Factory Service Centers and DELTA® Authorized Service Centers. To obtain additional information regarding your DELTA® quality product or to obtain parts, service, warranty assistance, or the location of the nearest service center, please call 1-800-223-7278.

### REPLACEMENT PARTS

Use only identical replacement parts. For a parts list or to order parts, visit our website at [www.DeltaMachinery.com/service](http://www.DeltaMachinery.com/service). You can also order parts from your nearest factory-owned branch, Authorized Warranty Service Center or by calling Technical Service Manager at 1-800-223-7278 to receive personalized support from one of our highly-trained representatives.

### FREE WARNING LABEL REPLACEMENT

If your warning labels become illegible or are missing, call 1-800-223-7278 for a free replacement.



### SERVICE AND REPAIRS

All quality tools will eventually require servicing and/or replacement of parts. For information about DELTA® Power Equipment Corporation, its factory-owned branches, or to locate an Authorized Warranty Service Center, visit our website at [www.DeltaMachinery.com/service](http://www.DeltaMachinery.com/service) or call our Customer Care Center at 1-800-223-7278. All repairs made by our service centers are fully guaranteed against defective material and workmanship. We cannot guarantee repairs made or attempted by others. By calling this number you can also find answers to most frequently asked questions 24 hours/day.

You can also write to us for information at DELTA® Power Equipment Corporation, 1924 Pearman Dairy Rd, Anderson SC 29625 - Attention: Technical Service Manager. Be sure to include all of the information shown on the nameplate of your tool (model number, type, serial number, date code, etc.)



## CONSIGNES DE SÉCURITÉ IMPORTANTES

**▲ AVERTISSEMENT :** ASSUREZ-VOUS D'AVOIR BIEN LU ET COMPRIS TOUTES LES MISES EN GARDE ET LES CONSIGNES D'UTILISATION AVANT D'UTILISER CET ÉQUIPEMENT. Le fait de ne pas respecter toutes les instructions ci-dessous pourrait causer une électrocution, des incendies, et/ou des blessures personnelles ou des dommages matériels graves.

La meuleuse peut être dangereuse si des procédures d'utilisation sécuritaires et adéquates ne sont pas respectées. Comme c'est le cas pour toute pièce de machinerie, l'utilisation de ce produit comporte certains dangers. En utilisant cet appareil selon les directives et avec prudence, vous réduirez de façon importante les risques de blessures corporelles. Cependant, si les précautions normales de sécurité sont négligées ou ignorées, la personne qui utilise l'appareil pourrait être blessée. L'équipement de protection comme les gardes, les poussoirs, les dispositifs de retenue, les planches de protection, les lunettes de sécurité, les masques antipoussières et la protection pour l'ouïe peut réduire le risque de blessure. Cependant, même le meilleur dispositif de protection ne peut compenser un mauvais jugement, un manque de prudence ou d'inattention.



**Utilisez toujours le bon sens** et soyez prudent dans l'atelier. Si une manœuvre à l'air dangereuse, ne l'effectuez pas. Essayez plutôt de trouver un moyen plus facile. **RAPPELEZ-VOUS :** vous êtes responsable de votre sécurité personnelle. Pour des renseignements complémentaires, rendez-vous sur notre site Web à l'adresse suivante [www.DeltaMachinery.com](http://www.DeltaMachinery.com).

**▲ AVERTISSEMENT :** Cet appareil a été conçu seulement pour certaines utilisations. DELTA<sup>MD</sup> Power Equipment Corporation recommande fortement que cet appareil ne soit pas modifié ni utilisé pour toutes autres fins que celles pour lesquelles il a été conçu. Si vous avez des questions sur une utilisation en particulier, N'UTILISEZ PAS l'appareil avant d'avoir d'abord communiqué avec DELTA<sup>MD</sup> pour déterminer si cette utilisation peut ou si elle devrait être faite sur ce produit.

Si vous avez des questions relativement à son utilisation, N'UTILISEZ PAS le produit tant que vous n'aurez pas communiqué par écrit avec DELTA<sup>MD</sup> Power Equipment Corporation et obtenu une réponse de sa part. Contactez-nous en ligne à [www.DeltaMachinery.com](http://www.DeltaMachinery.com) ou par courrier à l'adresse suivante : Responsable du service technique, DELTA<sup>MD</sup> Power Equipment Corporation, 1924 Pearman Dairy Rd, Anderson SC 29625.

Des renseignements au sujet de l'utilisation sécuritaire et appropriée de cet appareil sont disponibles auprès des sources suivantes :

- Power Tool Institute, 1300 Sumner Avenue, Cleveland, OH 44115-2851 ou en ligne sur [www.powertoolinstitute.com](http://www.powertoolinstitute.com)
- National Safety Council, 1121 Spring Lake Drive, Itasca, IL 60143-3201
- American National Standards Institute, 25 West 43rd Street, 4 floor, New York, NY 10036 [www.ansi.org](http://www.ansi.org) - ANSI 01.1 Safety Requirements for Woodworking Machines
- Réglementation du Département américain du travail (OSHA) à l'adresse [www.osha.gov](http://www.osha.gov)

## CONSIGNES DE SÉCURITÉ - DÉFINITIONS

Ce manuel contient des renseignements qu'il est important de connaître et de comprendre. Ces renseignements ont pour but d'assurer VOTRE SÉCURITÉ et de PRÉVENIR LES PROBLÈMES D'ÉQUIPEMENT. Pour vous aider à reconnaître ces renseignements, nous utilisons les symboles ci-dessous. Veuillez lire le manuel et prêter attention à ces sections.

**▲ DANGER :** Indique une situation extrêmement dangereuse qui, si elle n'est pas évitée, entraînera la mort ou une blessure grave.

**▲ AVERTISSEMENT :** Indique une situation potentiellement dangereuse qui, si elle n'est pas évitée, pourrait entraîner la mort ou une blessure grave.

**▲ ATTENTION :** Indique une situation potentiellement dangereuse qui, si elle n'est pas évitée, peut entraîner une blessure mineure ou modérée.

**ATTENTION :** Utilisé sans le symbole d'avertissement, indique une situation potentiellement dangereuse qui, si elle n'est pas évitée, peut endommager l'appareil.

# RÈGLES DE SÉCURITÉ GÉNÉRALES

**▲ AVERTISSEMENT :** LE NON-RESPECT DE CES RÈGLES PEUT ENTRAÎNER DES BLESSURES PERSONNELLES GRAVES.

- POUR VOTRE PROPRE SÉCURITÉ, ASSUREZ-VOUS D'AVOIR BIEN LU ET COMPRIS LE MANUEL D'UTILISATION AVANT DE FAIRE FONCTIONNER L'APPAREIL. Apprenez à connaître son domaine d'utilisation et ses limites, ainsi que les dangers qui lui sont rattachés.
- MAINTENEZ L'AIRE DE TRAVAIL PROPRE. Les aires et les bancs de travail encombrés sont propices aux accidents.
- NE PAS UTILISER DANS UN ENVIRONNEMENT DANGEREUX. N'utilisez pas cet appareil dans un endroit humide ou mouillé, et ne l'exposez pas à la pluie. Gardez votre lieu de travail bien éclairé.
- MAINTENEZ LES ENFANTS ET LES VISITEURS À L'ÉCART. Tous les enfants et visiteurs doivent demeurer à une distance sécuritaire de l'aire de travail.
- DÉBRANCHEZ L'APPAREIL avant toute opération d'entretien.
- VÉRIFIEZ LA PRÉSENCE DE PIÈCES ENDOMMAGÉES. Avant d'utiliser l'appareil, bien réparer ou remplacer toute pièce endommagée.

**▲ AVERTISSEMENT :** LE NON-RESPECT DE CES RÈGLES PEUT ENTRAÎNER DES BLESSURES GRAVES.

1. Assurez-vous de lire et comprendre les avertissements affichés sur l'appareil et dans ce manuel. Le non respect de tous ces avertissements peut entraîner des blessures graves.
2. Remplacez les étiquettes d'avertissement si elles sont masquées ou supprimées.
3. Cet appareil est conçu pour l'utilisation par un personnel qualifié et expérimenté seulement. En cas de non familiarité avec le bon fonctionnement sécuritaire d'une meuleuse/affûteuse, ne pas l'utiliser avant d'avoir reçu la formation et les connaissances appropriées.
4. Ne pas utiliser cet appareil pour autre chose que son usage prévu. S'il est utilisé à d'autres fins, DELTA® Power Equipment Corporation décline toute garantie réelle ou implicite et se dégage de toute responsabilité pour toute blessure qui pourrait résulter de cette utilisation.
5. Portez toujours des lunettes de protection ou des écrans faciaux approuvés lors de l'utilisation de cette meuleuse/affûteuse.
6. Avant d'utiliser cette meuleuse/affûteuse, enlevez cravate, bagues, montres et autres bijoux, et retrousser vos manches au-dessus du coude. Retirez tous les vêtements amples et retenez les cheveux longs. Il est recommandé de porter des chaussures antidérapantes ou de poser des bandes de plancher antidérapantes. Ne portez pas de gants.
7. Portez des protecteurs pour l'ouïe (bouchons ou manchons) pendant les longues périodes de fonctionnement.
8. Certaines poussières créées par le ponçage mécanique, le sciage, le broyage, le perçage et d'autres activités de construction contiennent des produits chimiques identifiés comme causes de cancer, d'anomalies congénitales ou d'autres préjudices liés à la reproduction. En voici des exemples :
  - plomb de peintures à base de plomb;
  - silice cristalline de briques, de ciment et d'autres produits de maçonnerie;
  - arsenic et chrome de bois de sciage traité chimiquement.
9. N'utilisez pas cet appareil en état de fatigue ou avec les facultés affaiblies par la drogue, l'alcool ou les médicaments.
10. Avant de brancher l'appareil sur la source d'alimentation, assurez-vous que l'interrupteur est en position « OFF » (Arrêt).
11. Assurez-vous que l'appareil est correctement mis à la terre.
12. Ne faites les réglages de l'appareil ou son entretien que lorsque celui-ci est débranché de la source d'alimentation.
13. Prenez l'habitude de vérifier que tout l'équipement supplémentaire tel que les clés de réglage, les clés à molette, la ferraille, le matériel et les chiffons de nettoyage a été éloigné de l'appareil avant de le mettre en marche.
14. Gardez les dispositifs de protection en place en tout temps lorsque l'appareil est utilisé. Faites preuve d'une extrême prudence s'ils sont enlevés à des fins d'entretien et remettez-les en place dès la fin de l'entretien.
15. Assurez-vous que l'outil est solidement fixé sur une surface de travail stable avant de l'utiliser.
16. Vérifiez si des pièces sont endommagées. Avant d'utiliser l'appareil, il faut vérifier soigneusement le dispositif de protection ou toute autre pièce endommagée afin de s'assurer que l'appareil fonctionnera correctement et remplira sa fonction prévue. Vérifiez l'alignement des pièces mobiles et leurs joints, tout bris de pièce et du cadrage et toute autre condition qui pourrait en modifier le fonctionnement. Un garde ou une autre pièce endommagée doivent être réparés ou remplacés sans tarder.
17. Prévoyez un espace suffisant autour de la zone de travail et un éclairage en plonge non éblouissant.

*suite à la page 18*

18. Gardez le plancher autour de l'appareil propre et exempt de débris, d'huile et de graisse.
19. Gardez les visiteurs à une distance sécuritaire de la zone de travail. Tenez les enfants à distance.
20. Rendez votre atelier à l'épreuve des enfants au moyen de cadenas, de commutateurs principaux ou en retirant les clés de mise en marche.
21. Concentrez-vous uniquement sur le travail. Regarder aux alentours, tenir une conversation et faire du chahut sont des actes négligents qui peuvent entraîner des blessures graves.
22. Maintenez une position équilibrée en tout temps afin de ne pas tomber ou de ne pas vous appuyer sur l'outil ou sur ses pièces mobiles. Évitez de vous étirer ou d'utiliser une force excessive pour effectuer toute opération avec l'appareil.
23. Utilisez l'outil approprié à la bonne vitesse et au bon débit. Ne forcez pas un outil ou un accessoire à effectuer une tâche pour laquelle il n'a pas été conçu. Le bon outil fera mieux le travail et sera plus sécuritaire.
24. Utilisez les pièces recommandées ; les accessoires inadéquats peuvent être dangereux.
25. Entretenez les appareils avec soin. Suivez les indications relatives à la lubrification et au changement d'accessoire.

26. Débranchez l'appareil avant le nettoyage. Utilisez une brosse ou de l'air comprimé pour enlever la poussière ou des débris ; n'utilisez pas vos mains.
27. Ne vous tenez pas debout sur l'appareil. Des blessures graves pourraient se produire si l'appareil se renverse.
28. Ne jamais laisser l'appareil sans surveillance lorsqu'il est en marche. Débranchez l'appareil et ne le laissez pas sans surveillance jusqu'à son arrêt complet.
29. Tenez la poignée fermement en tout temps.
30. N'utilisez pas cet outil pour d'autres fins que celles pour lesquelles il est prévu. S'il est utilisé à d'autres fins, DELTA<sup>MD</sup> Power Equipment Corporation décline toute garantie réelle ou implicite et se dégage de toute responsabilité pour toute blessure qui pourrait résulter de cette utilisation.

**Familiarisez-vous avec les règles de sécurité enseignées dans ce manuel :**

**▲ ATTENTION :**

Cela signifie que le non-respect des précautions peut entraîner des blessures superficielles et/ou endommager l'appareil.

**▲ AVERTISSEMENT :**

Cela signifie que le non-respect des précautions peut causer des blessures graves pouvant même entraîner la mort.

## RÈGLES DE SÉCURITÉ SPÉCIFIQUES SUPPLÉMENTAIRES

**▲ AVERTISSEMENT :** Le non-respect de ces règles peut entraîner des blessures graves.

1. **N'UTILISEZ PAS** cet appareil avant qu'il ne soit complètement assemblé et installé selon les instructions. Un appareil mal assemblé peut entraîner des blessures graves.
2. **DEMANDEZ CONSEIL** à votre superviseur, enseignant ou autre personne qualifiée si vous ne maîtrisez pas le fonctionnement de cet appareil. La connaissance vous protège.
3. **SUIVEZ TOUS LES CODES DE BRANCHEMENT** et les connexions électriques recommandées pour éviter tout choc et électrocution.
4. **UTILISEZ TOUJOURS LE TAMPON FOURNI** et les flasques de roue pour monter les meules sur l'arbre de la meuleuse afin d'éviter l'endommagement des meules ou les séparations accidentelles. Une séparation peut entraîner la projection de fragments de la meule à grande vitesse.
5. **UTILISEZ SEULEMENT DES MEULES** convenant à la vitesse de l'appareil. Des meules inadaptées peuvent se séparer et des fragments peuvent être projetés à grande vitesse.
6. **UTILISEZ SEULEMENT DES MEULES** dotées d'un alésage correspondant exactement à l'arbre de l'appareil. Ne tentez jamais d'usiner un alésage insuffisant d'une meule pour la faire aller sur l'arbre. Des meules inadaptées peuvent se séparer et des fragments peuvent être projetés à grande vitesse.
7. **NE SERREZ PAS TROP** l'écrou de la meule.
8. **N'UTILISEZ PAS UNE MEULE QUI VIBRE.** Dressez la meule, remplacez-la ou remplacez les roulements de l'arbre. Des meules inadaptées peuvent se séparer et des fragments peuvent être projetés à grande vitesse.
9. **VÉRIFIEZ LES MEULES** avant d'utiliser l'appareil pour confirmer qu'elles ne sont pas fissurées ou ébréchées. **REMPLACEZ LES MEULES ENDOMMAGÉES** immédiatement. Des morceaux de la meule peuvent être projetés en l'air à grande vitesse et provoquer des blessures graves.
10. **AJUSTEZ LES VISIÈRES** près des meules et réajustez-les à nouveau au fur et à mesure que les meules s'usent. Les étincelles sont dangereuses et peuvent causer des incendies ou des explosions.

## RÈGLES DE SÉCURITÉ SPÉCIFIQUES SUPPLÉMENTAIRES

- 11. ASSUREZ-VOUS TOUJOURS** que les visières sont en place, correctement ajustés et sécurisés.
- 12. RÉGLEZ LES PORTE-OUTILS** près de la meule (écart de 1/8 po ou moins). Serrez bien les porte-outils pour éviter qu'ils ne se déplacent et réajustez-les à nouveau au fur et à mesure que les meules s'usent. La pièce à affûter peut être entraînée dans la meule, provoquant des dommages à la pièce à affûter et/ou des blessures graves.
- 13. METTEZ-VOUS SUR UN CÔTÉ** avant de mettre l'appareil sur « ON » (Marche). Des fragments desserrés ou des morceaux de meule peuvent être projetés de la meule à grande vitesse.
- 14. NE MEULEZ JAMAIS AVEC UNE MEULE FROIDE.** La meuleuse doit toujours être mise en marche au moins une minute avant de commencer le meulage. Une meule froide a tendance à s'ébrécher. Ces fragments peuvent être projetés de la meule à grande vitesse.
- 15. NE METTEZ JAMAIS EN ROUTE L'APPAREIL** lorsque la pièce à affûter est appuyée contre la meule. La pièce à affûter peut être entraînée dans la meule, provoquant des dommages à l'appareil et/ou des blessures graves.
- 16. NETTOYEZ ENTIÈREMENT L'APPAREIL** lors du travail sur différents types de pièces à affûter (bois, acier ou aluminium). La combinaison de la poussière de bois et de métal peut créer une explosion ou des risques d'incendie. **NE MEULEZ PAS** ou ne polissez pas de magnésium. Un incendie pourrait être provoqué.
- 17. NE MEULEZ JAMAIS PRÈS DE LIQUIDES OU DE GAZ INFLAMMABLES.** Les étincelles peuvent déclencher un incendie ou une explosion.
- 18. ÉVITEZ** une utilisation malaisée ou des positions incommodes. Un glissement soudain pourrait entraîner une main vers la meule.
- 19. GARDEZ LES BRAS, LES MAINS** et les doigts loin de la meule. Les surfaces abrasives peuvent entraîner des blessures graves.
- 20. TENEZ FERMEMENT LA PIÈCE À AFFÛTER** appuyée contre le porte-outils. La perte de contrôle de la pièce peut provoquer des blessures graves.
- 21. DRESSEZ LA MEULE** sur la face seulement. Dresser le côté de la meule peut la rendre trop mince et affecter la sécurité.
- 22. MEULEZ UNE PIÈCE** sur la face de la meule seulement. La perte de contrôle de la pièce peut provoquer des blessures graves.
- 23. N'APPLIQUEZ JAMAIS DE LIQUIDE DE REFROIDISSEMENT** directement sur une meule. Le liquide de refroidissement peut affaiblir le liant de la meule et l'endommager. Trempez la pièce à affûter dans l'eau pour la refroidir.
- 24. NE TOUCHEZ PAS** la partie affûtée de la pièce tant qu'elle n'est pas suffisamment refroidie. Le meulage crée de la chaleur.
- 25. APPUYEZ CORRECTEMENT LES PIÈCES LONGUES OU LARGES.** La perte de contrôle de la pièce peut provoquer des blessures graves.
- 26. NE FAITES JAMAIS D'ARRANGEMENTS** ou d'assemblage sur la table ou l'aire de travail quand l'appareil fonctionne, et n'y préparez pas votre travail. Un glissement soudain pourrait entraîner une main vers la meule. Des blessures graves peuvent se produire.
- 27. ÉTEIGNEZ L'APPAREIL** et débranchez-le de la source d'alimentation. Nettoyez la table/l'aire de travail avant de laisser l'appareil. Verrouillez l'interrupteur en position « OFF » (Arrêt) pour empêcher les utilisations non autorisées. Quelqu'un d'autre pourrait débrancher l'appareil accidentellement et se blesser gravement.
- 28. DE PLUS AMPLES RENSEIGNEMENTS** sur l'utilisation sécuritaire et adéquate des outils électriques (i.e une vidéo de sécurité) sont disponibles auprès du Power Tool Institute, 1300 Summer Avenue, Cleveland, OH 44115-2851 ([www.powertoolinstitute.com](http://www.powertoolinstitute.com)). Des renseignements sont également disponibles auprès du Conseil national de sécurité, 1121 Spring Lake Drive, Itasca, IL 60143-3201. Veuillez consulter la norme ANSI 01.1 de l'American National Standards Institute concernant les règles de sécurité pour les machines à bois ainsi que le règlement OSHA 1910.213 du ministère du Travail des É.-U.

## PROPOSITION 65 DE LA CALIFORNIE

### AVERTISSEMENT

Des études effectuées en Californie ont démontré que la poussière produite par le ponçage, le sciage, le meulage, le perçage et les autres travaux de construction contenait des produits chimiques pouvant causer le cancer, des anomalies congénitales et autres dommages au système reproducteur.

Voici des exemples de ces produits chimiques :

- Le plomb provenant des peintures à base de plomb,
- Les cristaux de silices provenant des briques et du ciment et d'autres produits de maçonnerie, et
- L'arsenic et le chrome provenant des bois traités chimiquement.

Le niveau de risque dû à cette exposition varie avec la fréquence de ces types de travaux. Pour réduire l'exposition à ces produits chimiques, il faut travailler dans un lieu bien ventilé et porter un équipement de sécurité approprié tel que certains masques à poussière conçus spécialement pour fi microscopiques. Éviter tout contact prolongé avec la poussière produite par le ponçage, le sciage, le meulage, l'irer les particules le perçage et autres activités de la construction. Porter des vêtements de protection et laver les zones exposées à l'eau et au savon. La pénétration de la poussière dans la bouche ou les yeux ou le dépôt de la poussière sur la peau peuvent faciliter l'absorption de produits chimiques dangereux.

### AVERTISSEMENT

L'utilisation de cet outil peut produire ou propager de la poussière pouvant entraîner de graves problèmes respiratoires permanents ou autres lésions. Utiliser toujours un appareil de protection respiratoire approuvé par NIOSH/OSHA en cas d'exposition à la poussière.

**CONSERVEZ CES CONSIGNES. Consultez-les souvent et utilisez-les pour enseigner les autres.**

# RACCORDEMENTS ÉLECTRIQUES

Un circuit électrique séparé devrait être utilisé pour vos appareils. Les fils du circuit doivent être au moins de calibre 12 et être protégés par un fusible à action différée de 20 ampères. Si vous utilisez une rallonge, ne prenez que des rallonges à trois fils avec des fiches de mise à la terre à trois broches et le réceptacle correspondant qui acceptera la fiche de l'appareil. Avant de brancher l'appareil sur l'alimentation, assurez-vous que le commutateur est en position « OFF » (« Arrêt ») et que le courant électrique que vous allez utiliser possède les mêmes caractéristiques que celui indiqué sur l'appareil. Tous les raccordements doivent établir un bon contact. Une utilisation en basse tension endommagera l'appareil.

**▲ DANGER :** NE PAS UTILISER L'APPAREIL DANS UN ENDROIT HUMIDE OU MOUILLÉ ET NE PAS L'EXPOSER À LA PLUIE.

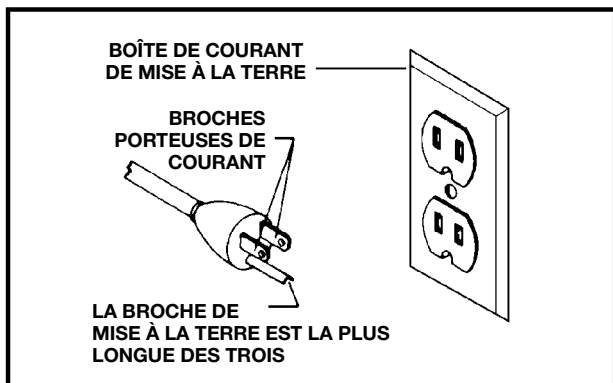


FIG. A

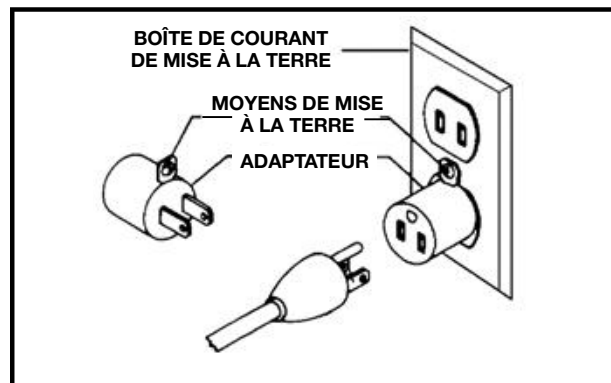


FIG. B

## SPÉCIFICATIONS DU MOTEUR

Votre appareil est câblé pour un courant alternatif de 120 V, 60 Hz. Avant de brancher l'appareil à la source d'alimentation, assurez-vous que l'interrupteur est en position « OFF » (Arrêt).

## INSTRUCTIONS DE MISE À LA TERRE

**▲ DANGER :** CET APPAREIL DOIT ÊTRE MIS À LA TERRE LORSQU'IL EST UTILISÉ POUR PROTÉGER L'OPÉRATEUR CONTRE L'ÉLECTROCUTION.

### 1. Pour tous les appareils branchés par un cordon d'alimentation et mis à la terre :

En cas de mauvais fonctionnement ou de panne, la mise à la terre fournit un chemin de moindre résistance au courant électrique visant à réduire le risque d'électrocution. Cet appareil est équipé d'un cordon électrique possédant un conducteur de terre et une fiche de terre. La fiche doit être branchée sur une prise correctement installée et mise à la terre conformément à tous les codes et règlements locaux.

Ne pas modifier la fiche prévue. Si elle n'entre pas dans la prise, faire installer une prise appropriée par un électricien agréé.

Le raccordement inapproprié du conducteur de terre de l'équipement peut provoquer l'électrocution. Le fil conducteur avec un isolant comportant une surface extérieure verte, avec ou sans rayures jaunes, est le conducteur de terre. Si la réparation ou le remplacement du cordon électrique ou de la fiche est nécessaire, ne branchez pas le conducteur de terre à une borne sous tension.

Si les consignes de mise à la terre ne sont pas complètement comprises ou en cas de doute concernant la mise à la terre de l'appareil, se renseigner auprès d'un électricien ou du personnel de service agréés.

Utiliser uniquement des rallonges à trois fils avec des fiches de mise à la terre à trois broches et des réceptacles à 3 conducteurs adaptés à la fiche de l'appareil, comme indiqué à la Fig. A.

Réparer et remplacer immédiatement tout cordon endommagé ou usé.

**▲ DANGER :** DANS TOUS LES CAS, ASSUREZ-VOUS QUE LE RÉCEPTACLE EN QUESTION EST BIEN RELIÉ À LA TERRE. SI VOUS N'ÊTES PAS CERTAIN, FAITES VÉRIFIER LE RÉCEPTACLE PAR UN ÉLECTRICIEN QUALIFIÉ.

## RALLONGES

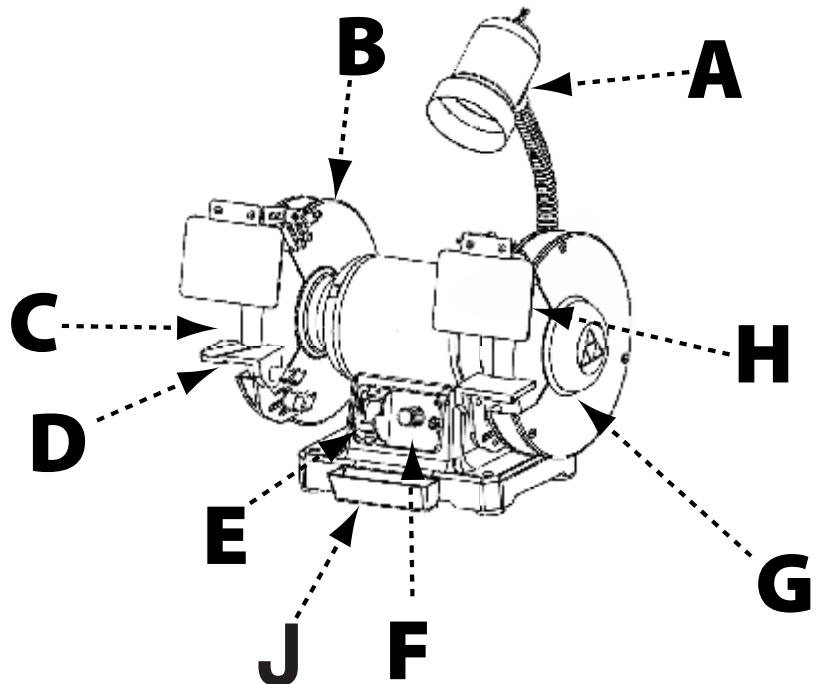
**ATTENTION :** Utilisez des rallonges appropriées. Assurez-vous que la rallonge est en bon état et qu'il s'agit d'une rallonge à trois fils avec une fiche de mise à la terre à trois broches et d'un réceptacle correspondant à la fiche de l'appareil. Lorsque vous utilisez une rallonge, assurez-vous qu'elle soit de calibre suffisamment élevé pour assurer l'alimentation de l'appareil. Une rallonge d'un calibre trop petit provoquera une chute de tension, entraînant une perte de puissance et une surchauffe. Le tableau indique le bon calibre à utiliser en fonction de la longueur de la rallonge. En cas de doute, utiliser le calibre immédiatement supérieur. Plus le numéro de calibre est petit, plus le cordon est épais.

CALIBRE MINIMUM POUR RALLONGE			
CALIBRES RECOMMANDÉS POUR UTILISATION SUR DES APPAREILS ÉLECTRIQUES STATIONNAIRES			
Intensité	Volts	Longueur totale du cordon en mètres (pieds)	Calibre de la rallonge
0-6	120	jusqu'à 7,6 (25)	18 AWG
0-6	120	7,6-15,2 (25-50)	16 AWG
0-6	120	15,2-30,5 (50-100)	16 AWG
0-6	120	30,5-45,7 (100-150)	14 AWG
6-10	120	jusqu'à 7,6 (25)	18 AWG
6-10	120	7,6-15,2 (25-50)	16 AWG
6-10	120	15,2-30,5 (50-100)	14 AWG
6-10	120	30,5-45,7 (100-150)	12 AWG
10-12	120	jusqu'à 7,6 (25)	16 AWG
10-12	120	7,6-15,2 (25-50)	16 AWG
10-12	120	15,2-30,5 (50-100)	14 AWG
10-12	120	30,5-45,7 (100-150)	12 AWG
12-16	120	jusqu'à 7,6 (25)	14 AWG
12-16	120	7,6-15,2 (25-50)	14 AWG
12-16	120	UNE LONGUEUR DE PLUS DE 15,2 MÈTRES (50 PIEDS) N'EST PAS RECOMMANDÉE.	

## CARACTÉRISTIQUES ET COMPOSANTES IMPORTANTES

(les caractéristiques représentées commencent du haut et se déplacent dans le sens antihoraire autour de l'outil)

- A. Lampe de travail flexible (ampoule comprend pas)
- B. Carter de meule
- C. Meule en oxyde d'aluminium
- D. Porte-outils ajustable
- E. Interrupteur marche/arrêt (On/Off) avec bouton de verrouillage
- F. Commande de vitesse variable
- G. Meule en oxyde d'aluminium
- H. Pare-étincelles ajustable
- I. Stockage intégré pour dressage inclus (non illustré)
- J. Bac de refroidissement



## DESCRIPTION FONCTIONNELLE

Le modèle DELTA<sup>MD</sup> 23-196 est une meuleuse/affûteuse à vitesse variable de 6 po et le modèle DELTA<sup>MD</sup> 23-197 est une meuleuse/affûteuse à vitesse variable de 8 po. Ces appareils offrent une haute performance en matière de meulage et d'affûtage, et avec les accessoires adaptés, ils permettent à l'utilisateur d'enlever la rouille et le feutre à polir ou de polir les métaux. Ce modèle est doté d'une lampe flexible, de porte-outils ajustables, d'un système de libération rapide de l'écrou de l'arbre et de deux grandes visières pour une meilleure sécurité.



## CARACTÉRISTIQUES DU PRODUIT

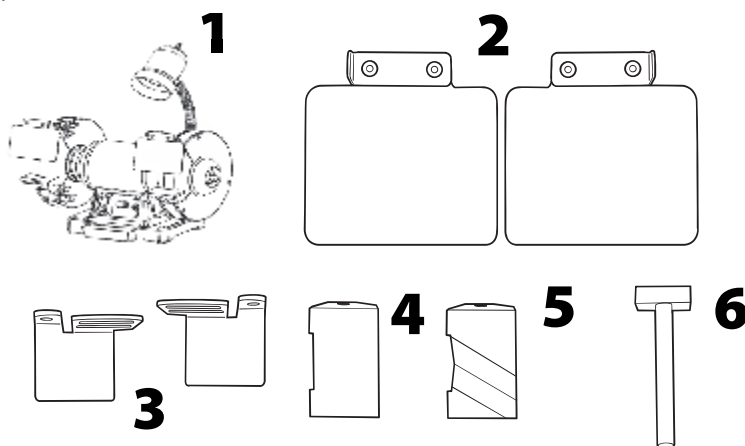
	Modèle 23-196	Modèle 23-197
Moteur :	2.5 ampères, 120V, monophasé	5 ampères, 120V, monophasé
Vitesse de meule :	2 000 à 3 400 tr/min	2 000 à 3 400 tr/min
Grain de meule :	36 (grossier), 60 (moyenne)	36 (grossier), 60 (moyenne)
Meule (diamètre x épaisseur)	6 po x 3/4 po	8 po x 1 po
Dimensions (lxLxh) (sans la lampe)	15-5/8 po x 10 po x 11-3/4 po	16-1/2 po x 10-3/4 po x 13-1/4 po
Superficie de la base (lxL)	8-3/4 po x 6-1/4 po	9-3/4 po x 6-1/2 po
Diamètre de l'arbre	1/2 po	5/8 po
Poids de l'outil	27 livres	41 livres

## DÉBALLAGE

Comparez toutes les pièces de la liste ci-dessous et vérifiez que toutes les pièces sont présentes et en bon état. Signalez toute pièce manquante ou endommagée à votre distributeur ou à votre revendeur. Avant de passer à l'assemblage de l'appareil et à son utilisation, lisez attentivement le présent manuel pour vous familiariser avec les procédures d'assemblage, d'entretien et de sécurité appropriées.

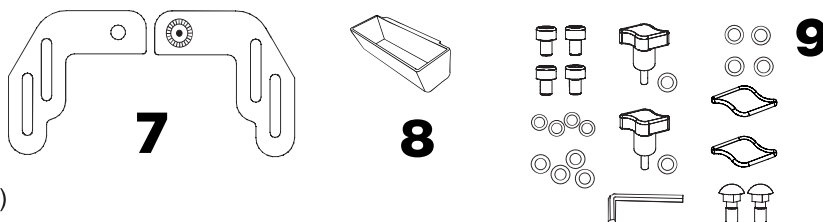
### DESCRIPTION (QUANTITÉ)

1. Meuleuse/affûteuse 23-196 de 6 po ou Meuleuse/affûteuse 23-197 de 8 po (1)
2. Visières (2)
3. Pare-étincelles (2)
4. Porte-outils plat (1)
5. Porte-outils incliné (1)
6. Outil de dressage de meule (1)
7. Supports de porte-outils (2)
8. Bac de refroidissement (1)
9. Pack quincaillerie (1)
10. Manuel d'utilisation (non illustré)



### CONTENU DU PACK QUINCAILLERIE

- Boulons de carrosserie M6 X 16 mm (2)
- Rondelles de blocage D6 (2)
- Rondelles plates D6 (4)
- Boutons de verrouillage de couvre-oeil (2)
- Bouton de verrouillage de guidage (2)
- Vis à tête hexagonale interne M5 x 10 mm (4)
- Rondelles de blocage D5 (4)
- Rondelles plates D5 (4)
- clé (1)





## DÉBALLAGE

Retirez tout matériau de protection et tout revêtement de l'ensemble des éléments et de l'outil. Les revêtements de protection peuvent être enlevés en les pulvérisant avec du WD-40 et en les essuyant avec un chiffon doux. Il peut être nécessaire de refaire cette étape plusieurs fois avant que tous les revêtements de protection soient complètement enlevés.

### ⚠ AVERTISSEMENT :

S'il y a des pièces manquantes, n'essayez pas de brancher le cordon d'alimentation et de mettre l'appareil en marche (« ON »). L'appareil doit seulement être mis en marche (« ON ») quand toutes les pièces auront été obtenues et correctement installées.

## MONTAGE

### ATTACHER LE PARE-ÉTINCELLES ET LA VISIÈRE

Consultez la Figure 1.

1. Ajustez deux vis à tête hexagonale M5 x 10 mm avec des rondelles de blocage et plates M5. Utilisez des vis et des rondelles hexagonales pour fixer le pare-étincelles (A) au carter de meule. Le pare-étincelles doit être approximativement à 1/8 po de la meule.
2. Répétez l'étape précédente pour le deuxième pare-étincelles.
3. Utilisez un boulon de carrosserie M6 de 16 mm inséré dans le trou le plus à l'extérieur dans le pare-étincelles pour attacher la visière (B). Fixez avec une rondelle plate M5 et une molette fileté.
4. Répétez l'étape précédente pour la deuxième visière.

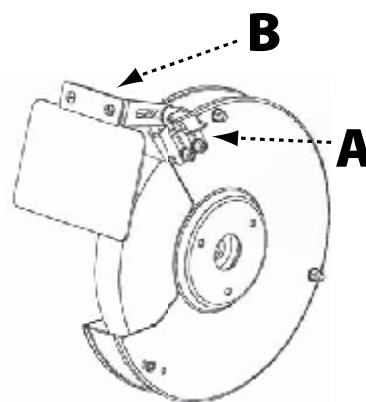


FIGURE 1

### ATTACHER LE PORTE-OUTILS

Reportez-vous à la Figure 2.

1. Retirez la molette (D), la rondelle éventail et la rondelle du boulon de carrosserie de la partie inférieure du protège-meule. Utilisez le boulon de carrosserie, la rondelle éventail, la rondelle et la molette de fixation pour attacher le support de la pièce à travailler (A) à l'intérieur du protège-meule, tel que montré.
2. Attachez le porte-outils (B) au support du porte-outils au moyen d'une molette de fixation.
3. Ajustez la position du support du porte-outils afin que le porte-outils se trouve approximativement à 1/8 po de la meule (C).
4. Répétez les étapes ci-dessus pour le deuxième porte-outils

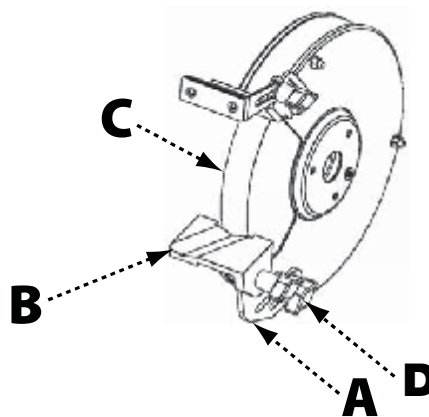


FIGURE 2

# MONTAGE

## STOCKAGE DE L'OUTIL

Votre meuleuse/affûteuse DELTA<sup>MD</sup> 23-196 (6 po) ou 23-197 (8 po) dispose d'un emplacement de stockage d'outils intégré pratique pour l'outil de dressage fourni. Le porte-outils, indiqué à la Figure 3, est situé à l'arrière de la base de la meuleuse.

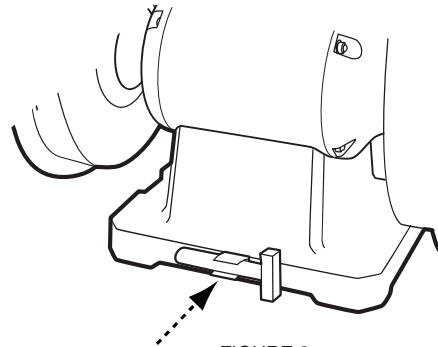


FIGURE 3

## CONFIRMER LE SERRAGE DES ÉCROUS DE L'ARBRE

Avant d'utiliser votre meuleuse/affûteuse pour la première fois, il est recommandé de vérifier le serrage des écrous de l'arbre. Pour vérifier le serrage des écrous de l'arbre, veuillez suivre les instructions suivantes :

1. Retirez les vis de serrage à la main (A) en retenant la face externe du carter de meule contre le cadre de l'outil. Voir Figure 4.
2. Retirez le garde-meule..
3. À l'aide d'une clé appropriée, tournez l'écrou de l'arbre (B) tout en utilisant l'autre main pour empêcher la meule de bouger. Voir Figure 5. Serrez l'écrou de l'arbre, aussi loin que vous le pouvez.

REMARQUE : l'écrou de l'arbre sur le côté droit de l'appareil se serre en le tournant dans le sens horaire, l'écrou de l'arbre sur le côté gauche de l'appareil se serre en le tournant dans le sens antihoraire.

4. Répétez le processus pour l'autre côté.

REMARQUE : en utilisant votre meuleuse/affûteuse, la force et la direction de la meule permettront le serrage automatique de l'écrou de l'arbre. Cependant, il est recommandé de vérifier périodiquement le serrage des écrous dans le cadre de l'entretien régulier de votre appareil.

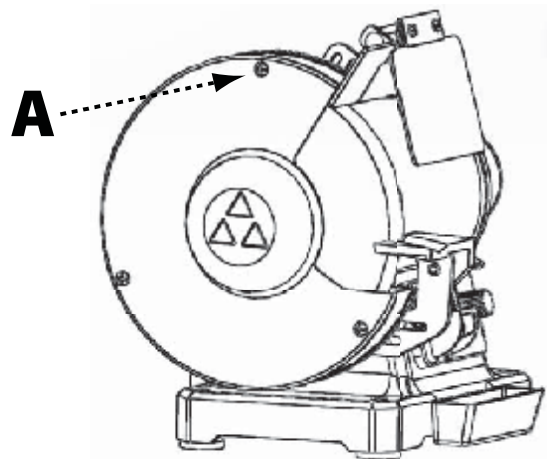


FIGURE 4

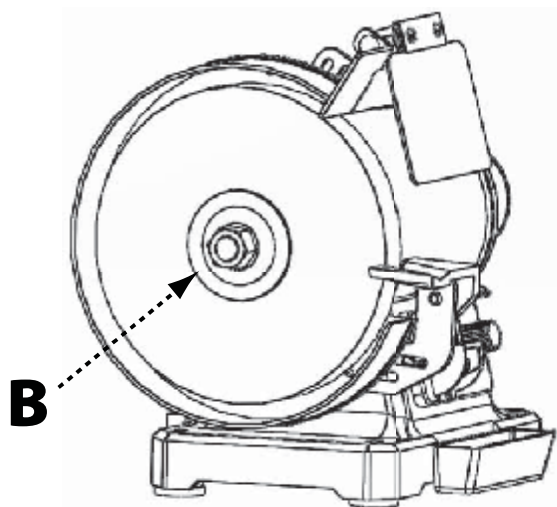


FIGURE 5

# FONCTIONNEMENT

## DÉMARRAGE ET ARRÊT

**⚠ AVERTISSEMENT :** Assurez-vous que l'interrupteur est sur la position « OFF » (Arrêt) avant de brancher le cordon dans la prise. Ne touchez pas aux broches métalliques de la fiche au moment de brancher ou de débrancher le cordon.

L'interrupteur on/off (marche/arrêt) (A) est situé à l'avant de la meuleuse/affûteuse. Voir Figure 6. Pour mettre l'appareil sur « ON » (Marche), déplacez l'interrupteur vers la position « ON » (Marche). Pour mettre l'appareil sur « OFF » (Arrêt), déplacez l'interrupteur vers la position « OFF » (Arrêt).

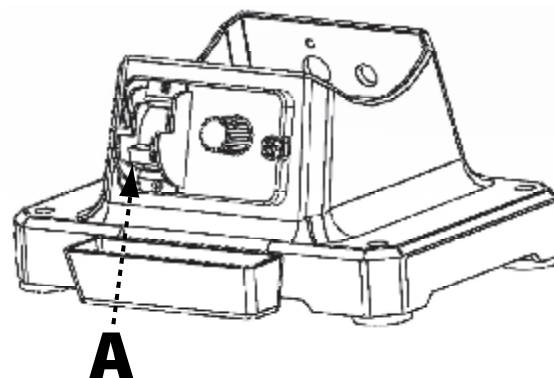


FIGURE 6

## VERROUILLAGE DE L'APPAREIL

**IMPORTANT :** quand vous n'utilisez pas l'appareil, l'interrupteur devrait être verrouillé en position « OFF » (Arrêt) pour éviter toute utilisation non autorisée.

Pour verrouiller l'appareil, retirez le bouton de l'interrupteur (1) en le tirant vers l'extérieur. Voir Figure 7. Une fois le bouton de l'interrupteur retiré, l'interrupteur ne fonctionnera plus.

Si la bascule de l'interrupteur est retirée durant le fonctionnement de la meuleuse/affûteuse, l'appareil peut être mis sur « OFF » (Arrêt), mais ne pourra être redémarré qu'en réinsérant la bascule de l'interrupteur.

**⚠ AVERTISSEMENT :** En cas de panne de courant (comme un saut de disjoncteur ou de fusible), mettez toujours l'interrupteur en position « OFF » (Arrêt) jusqu'à ce que le courant soit rétabli.

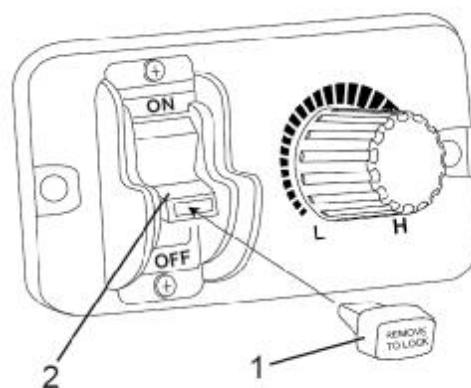


FIGURE 7

## UTILISATION DE LA COMMANDE DE VITESSE VARIABLE

La meuleuse/affûteuse est équipée d'une commande de vitesse variable, située à côté de l'interrupteur. Lorsque la molette de commande de vitesse variable est située complètement à gauche (dans le sens anti-horaire), le régime est de 2 000 tr/min. La rotation augmente lorsque la molette de commande de vitesse variable est tournée dans le sens horaire. Lorsque cette molette est positionnée complètement à droite, le régime est de 3 400 tr/min.

## UTILISATION DE LA LAMPE FLEXIBLE

La lampe flexible fonctionne indépendamment de la meuleuse/affûteuse. Pour allumer et éteindre la lampe, tournez l'interrupteur situé en haut de la lampe.

**⚠ AVERTISSEMENT :** Pour réduire le risque d'incendie, utilisez une ampoule de 40 watts ou inférieure, 120 volts, de type à réflecteur sur rail (non fournie). Il ne faut pas utiliser d'ampoule domestique normale. L'ampoule de type à réflecteur sur rail ne doit pas dépasser le bas de l'abat-jour.

## ENTRETIEN

### MEULES

**⚠ AVERTISSEMENT :** L'utilisation d'accessoires et de pièces non recommandées par DELTA<sup>MD</sup> peut entraîner un risque de blessures.

Les meules utilisées avec cette meuleuse/affûteuse doivent être adaptées à un régime de 3600 tr/min ou plus et avoir une largeur de 1 po. Les meules du modèle DELTA<sup>MD</sup> 23-196 doivent être de 6 po de diamètre avec un alésage central de 1/2 po. Les meules du modèle DELTA<sup>MD</sup> 23-197 doivent être de 8 po de diamètre avec un alésage central de 5/8 po.

**⚠ ATTENTION :** Utiliser une meule qui est inférieure à une largeur de 3/4 po pour une meuleuse/affûteuse de 6 po, ou d'une largeur d'1 po pour une meuleuse/affûteuse de 8 po, provoque des vibrations et pourrait endommager l'appareil.

**⚠ AVERTISSEMENT :** TOUJOURS maintenir un écart de 1/8 po ou moins entre la meule et le porte-outils. Ajustez les porte-outils et les pare-étincelles au fur et à mesure que la taille des meules diminue.

Le modèle DELTA<sup>MD</sup> 23-196 est équipé d'une meule en oxyde d'aluminium de 6 po (grise)  
Le modèle DELTA<sup>MD</sup> 23-197 est équipé d'une meule en oxyde d'aluminium de 8 po (grise).

Pour de meilleurs résultats, et pour entretenir les meules correctement, suivez ces recommandations:

1. Gardez les meules correctement dressées.
2. Ne forcez pas le travail sur une meule froide. La meule doit toujours être mise en marche au moins une minute avant de commencer le meulage.
3. Utilisez seulement des meules équilibrées avec votre meuleuse/affûteuse. Utilisez des meules équilibrées prolonge la durée de vie des roulements sur la meuleuse/affûteuse. En éliminant la plus commune des sources de vibration, vos travaux de meulage seront plus précis.

### DRESSAGE DES MEULES

Votre meuleuse/affûteuse DELTA<sup>MD</sup> 23-196 (6 po) ou 23-197 (8 po) La meuleuse/affûteuse est équipée d'un dresse-meule à base de diamant. Pour un accès facile, l'emplacement de stockage intégré du dresse-meule se trouve à l'arrière de l'appareil. Utilisez cet outil ou tout autre dresse-meule adapté pour maintenir vos meules propres et alignées.

Pour dresser la meule, consultez la Figure 8 et faites ce qui suit :

1. Avancez le dresse-meule (A) sur le porte-outils jusqu'à ce qu'il touche le point le plus élevé sur la face de la meule.
2. Dressez la meule en déplaçant le dresse-meule de long en large.
3. Répétez cette opération jusqu'à ce que la face de la meule soit propre et les coins bien équarris.

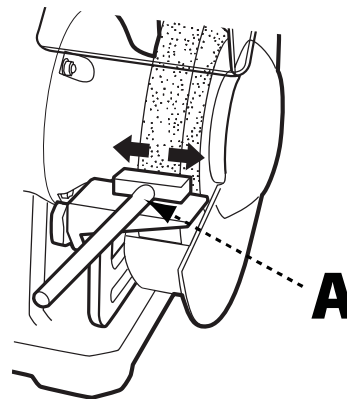


FIGURE 8

## ENTRETIEN

### REEMPLACER OU CHANGER LES MEULES

**⚠ AVERTISSEMENT :** Déconnectez l'appareil de la source d'alimentation.

Pour les étapes 1-4, consultez les Figures 4 et 5 sur la page 24:

1. Retirez les (3) vis qui fixent la paroi extérieure du garde-meule au châssis de l'outil.
2. Retirez le garde-meule.
3. À l'aide d'une clé appropriée, tournez l'écrou de l'arbre (A) tout en utilisant l'autre main pour empêcher la meule de bouger. Desserrez l'écrou de l'arbre.
4. Retirez l'écrou de l'arbre (A), la flasque de la meule (B) et la vieille meule (C), comme illustré à la Figure 9.

REMARQUE : pour desserrer l'écrou de l'arbre sur le côté droit, tournez-le dans le sens antihoraire. Pour desserrer l'écrou de l'arbre sur le côté gauche, tournez-le dans le sens horaire.

5. Placez la nouvelle meule sur l'arbre.
6. Placez la bride sur l'arbre et vissez l'écrou de l'arbre sur ce dernier jusqu'à ce que l'écrouvienne en contact avec la bride de l'arbre.

REMARQUE : les meules pour le modèle 23-196 doivent être d'une largeur de  $\frac{3}{4}$  po alors que les meules pour le modèle 23-197 doivent être de 1 po de large.

7. Serrez l'écrou de l'arbre autant que vous le pouvez.
8. Remplacez le garde de meule et fixez-le avec les (3) vis retirées précédemment.

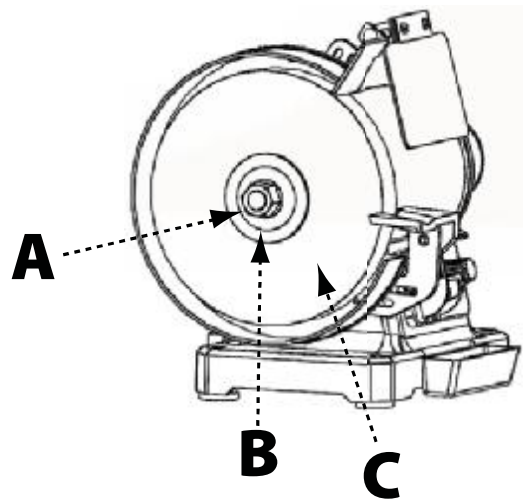


FIGURE 9

### AUTRE ENTRETIEN RECOMMANDÉ

1. Soufflez périodiquement de l'air comprimé sec dans tous les conduits d'air. Toutes les pièces en plastique doivent être nettoyées avec un chiffon doux humide. N'utilisez JAMAIS de solvant pour nettoyer les pièces en plastique. Il pourrait dissoudre ou endommager le matériel.
2. Vérifiez périodiquement le serrage des écrous de l'arbre.
3. Vérifiez périodiquement le serrage de toute la boulonnerie et écoutez toutes vibrations inhabituelles en travaillant car elles pourraient être un signe de boulonnerie desserrée.

## ACCESSOIRES

Une gamme complète d'accessoires peut être obtenue auprès de votre fournisseur DELTA<sup>MD</sup>, des centres de service du fabricant DELTA<sup>MD</sup>, et des centres de services agréés DELTA<sup>MD</sup>. Rendez-vous sur notre site Web [www.DeltaMachinery.com](http://www.DeltaMachinery.com) pour obtenir un catalogue en ligne ou pour connaître le nom du fournisseur le plus près de chez vous.

**▲ AVERTISSEMENT :** Étant donné que les accessoires autres que ceux offerts par DELTA<sup>MD</sup> n'ont pas été testés avec ce produit, leur utilisation pourrait s'avérer dangereuse. Pour assurer une utilisation plus sécuritaire, seuls les accessoires recommandés par DELTA<sup>MD</sup> devraient être utilisés avec ce produit.

## GARANTIE

Pour l'enregistrement de votre outil auprès du service de la garantie, rendez-vous sur notre site à l'adresse [www.DeltaMachinery.com](http://www.DeltaMachinery.com).

### GARANTIE LIMITÉE DE CINQ ANS

Delta<sup>MD</sup> Power Equipment Corporation

- 1. ÉLÉMENTS COUVERTS PAR LA GARANTIE.** Delta Power Equipment Corporation (« l'Entreprise ») réparera ou remplacera, à sa discrétion, toute machine ou pièce de rechange DELTAMD, neuve ou remise à neuf en usine, achetée d'un point de vente aux États-Unis ou au Canada et qui, dans des conditions d'usage normal, est jugée défectueuse en raison d'un problème de fabrication ou de matériau, sous réserve des conditions énoncées dans cette garantie limitée. Cette garantie limitée couvre uniquement les matériaux et la main-d'œuvre. Tous les coûts de transport sont à la charge du client.
- 2. PÉRIODE DE GARANTIE.** Toutes les réclamations de garantie doivent être soumises dans les cinq ans suivant la date d'achat du produit. Pour toutes les pièces de rechange et machines DELTAMD remises à neuf en usine, la période de garantie est de 180 jours.
- 3. OBTENTION DU SERVICE.** Pour bénéficier du service de garantie, vous devez retourner le produit défectueux, à vos frais, à un centre de service agréé par l'Entreprise pour exécuter le service de garantie (un « centre de service agréé DELTAMD » pendant la période de garantie applicable, avec une preuve d'achat acceptable, comme votre reçu original indiquant la date d'achat, ou le numéro d'homologation du produit. L'Entreprise se réserve le droit de limiter le service de réclamation de garantie au pays où l'achat a été effectué et/ou de facturer le coût de transport des pièces de rechange ou la fourniture du service de garantie dans un autre pays. Les achats en ligne sont considérés comme effectués aux États-Unis. Pour trouver le centre de service agréé DELTAMD le plus près de chez vous, appelez notre centre de service à la clientèle au (800) 223-7278.
- 4. EXCLUSIONS.**
  - L'Entreprise ne garantit pas les produits achetés dans un état usagé ou endommagé.
  - L'Entreprise ne garantit pas les produits achetés en dehors des États-Unis ou du Canada
  - L'Entreprise ne sera pas responsable de tout dommage découlant de l'usure normale, d'une mauvaise utilisation, d'un abus, d'une réparation ou d'une altération faite par quiconque autre qu'un centre de service agréé DELTAMD ou un représentant désigné du centre de service à la clientèle de l'Entreprise.
  - TOUTES LES GARANTIES IMPLICITES sont expressément limitées à la période de garantie identifiée ci-dessus.
  - En aucun cas, l'Entreprise ne sera tenue responsable des dommages ACCIDENTELS OU CONSÉCUTIFS.
  - Cette garantie limitée est l'unique garantie de l'Entreprise et définit par la présente le recours exclusif du client en ce qui concerne les produits défectueux; toutes les autres garanties, expresses ou implicites, de qualité marchande, de conformité aux besoins ou autre, sont formellement rejetées par l'Entreprise, sauf indication contraire ci-dessus.

Certains États américains ne permettant pas l'exclusion ou la limitation des dommages accidentels ou consécutifs, ni la limitation des garanties implicites, les limitations ou exclusions ci-dessus pourraient donc ne pas s'appliquer à vous. La présente garantie vous donne des droits légaux précis et vous pouvez avoir d'autres droits qui varient selon les États et les provinces. Pour de plus amples renseignements sur la couverture de la garantie et des informations sur les réparations, appelez le (800) 223-7278. Pour enregistrer vos produits en ligne, nous vous encourageons à visiter notre site Web et à créer GRATUITEMENT un compte de membre DELTA sur <http://www.deltamachinery.com/register>.

**AMÉRIQUE LATINE :** La présente garantie ne s'applique pas aux produits vendus en Amérique latine. Pour les produits vendus en Amérique latine, veuillez consulter les renseignements au sujet de la garantie pour un pays particulier figurant sur l'emballage, appeler la compagnie locale ou consulter notre site Web pour plus de renseignements au sujet de la garantie.



## AIDE POUR LES PIÈCES, LE SERVICE OU LA GARANTIE

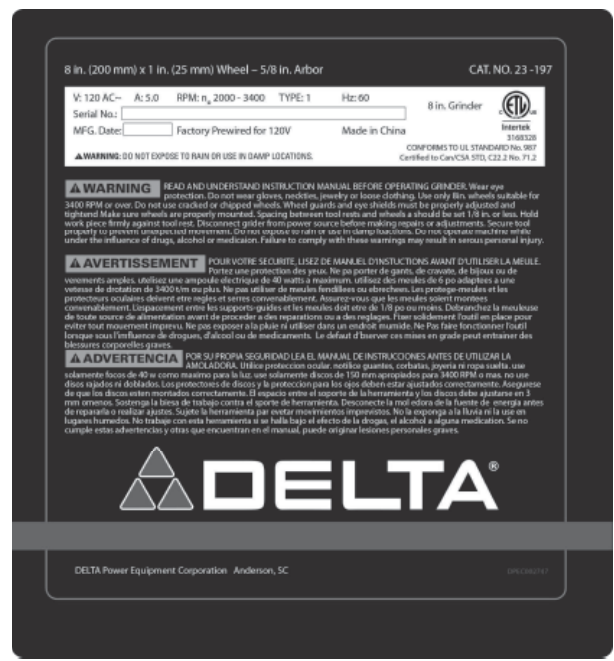
Tous les appareils et accessoires DELTA<sup>MD</sup> sont fabriqués selon des normes de qualité élevées et sont soutenus par un réseau de centres de service du fabricant DELTA<sup>MD</sup> et des centres de services DELTA<sup>MD</sup> autorisés. Pour en savoir davantage sur votre produit de qualité DELTA<sup>MD</sup> ou pour obtenir des pièces, du service, de l'aide concernant la garantie ou l'emplacement du centre de service le plus près de chez vous, veuillez composer le 1 800 223-7278.

### PIÈCES DE RECHANGE

Utilisez uniquement des pièces de rechange identiques. Pour obtenir une liste de pièces ou commander des pièces, rendez-vous sur notre site à l'adresse [www.DeltaMachinery.com/service](http://www.DeltaMachinery.com/service). Vous pouvez aussi commander des pièces auprès de votre représentant local, du centre de service de garantie autorisé ou en appelant le responsable du service technique au 1 800 223-7278 pour recevoir une assistance personnalisée de la part d'un de nos représentants hautement qualifié.

### REPLACEMENT GRATUIT DES ÉTIQUETTES DE MISE EN GARDE

Si vos étiquettes de mise en garde sont devenues illisibles ou si vous les avez perdues, composez le 1 800 223-7278 pour un remplacement gratuit.



### SERVICE ET RÉPARATIONS

Tous les outils de qualité auront besoin de service et/ou d'un remplacement de pièces à un moment donné. Pour des renseignements au sujet de DELTA<sup>MD</sup> Power Equipment Corporation, ses filiales en usine ou pour trouver un centre de service de garantie autorisé, rendez-vous sur notre site à l'adresse [www.DeltaMachinery.com/service](http://www.DeltaMachinery.com/service) ou appelez notre service à la clientèle au 1 800 223-7278. Toutes les réparations réalisées par nos centres de service sont entièrement garanties contre les défauts de matériau et de fabrication. Nous ne pouvons garantir les réparations réalisées ou tentées par d'autres. En appelant ce numéro, vous pouvez également obtenir des réponses 24 heures sur 24 aux questions les plus fréquemment posées.

Pour obtenir plus de renseignements, vous pouvez aussi nous écrire à l'adresse DELTA<sup>MD</sup> Power Equipment Corporation, 1924 Pearman Dairy Rd, Anderson SC 29625 - A l'attention de : Responsable du service technique. Assurez-vous de fournir tous les renseignements présents sur la plaque de votre outil (numéro de modèle, type, numéro de série, code de date, etc.)



## INSTRUCCIONES IMPORTANTES DE SEGURIDAD

**▲ ADVERTENCIA:** LEA Y COMPRENDA TODAS LAS ADVERTENCIAS E INSTRUCCIONES DE OPERACIÓN ANTES DE USAR ESTE EQUIPO. No cumplir con todas las instrucciones enumeradas a continuación puede causar una descarga eléctrica, incendios y/o lesiones personales graves o daños a la propiedad.

Trabajar con madera puede ser peligroso si no se observan procedimientos de operación seguros y adecuados. Tal como sucede con toda maquinaria, existen determinados peligros asociados con la operación del producto. Utilizar esta máquina con respeto y cautela disminuirá considerablemente la posibilidad de lesiones personales. Sin embargo, no observar o ignorar las precauciones normales de seguridad podría causarle lesiones personales al operador. El equipo de seguridad, como los protectores, las varillas para empujar, los sujetadores, las tablas con canto biselado, las gafas protectoras, las máscaras para polvo y la protección auditiva pueden evitar el riesgo de lesionarse. Sin embargo, incluso el mejor protector no compensará la falta de sentido común, el descuido ni la distracción. ***Siempre aplique el sentido común*** y actúe con cautela en el taller. Si un procedimiento parece peligroso, no lo intente. Busque un procedimiento alternativo que parezca más seguro. RECUERDE: Su seguridad personal es su responsabilidad. Para obtener información adicional, visite nuestro sitio web en [www.DeltaMachinery.com](http://www.DeltaMachinery.com).



**▲ ADVERTENCIA:** Esta máquina fue diseñada para determinadas aplicaciones únicamente. DELTA® Power Equipment Corporation recomienda encarecidamente que esta máquina no sea modificada ni utilizada para un uso que no sea aquel para el cual fue diseñada. Si tiene cualquier pregunta relacionada con una aplicación específica, NO use la máquina hasta que haya contactado primero a DELTA® para determinar si puede o debe realizarse en el producto.

Si tiene alguna pregunta relacionada con su uso, NO utilice el producto hasta que haya escrito a DELTA® Power Equipment Corporation y le hayamos dado el asesoramiento adecuado. Contáctenos en línea en [www.DeltaMachinery.com](http://www.DeltaMachinery.com) o por correo a Technical Service Manager, DELTA® Power Equipment Corporation, 1924 Pearman Dairy Rd, Anderson SC 29625.

La información relacionada con la operación segura y adecuada de esta herramienta está disponible en las siguientes fuentes:

- Power Tool Institute, 1300 Sumner Avenue, Cleveland, OH 44115-2851 o en Internet en [www.powertoolinstitute.com](http://www.powertoolinstitute.com)
- National Safety Council, 1121 Spring Lake Drive, Itasca, IL 60143-3201
- American National Standards Institute, 25 West 43rd Street, 4 floor, New York, NY 10036 [www.ansi.org](http://www.ansi.org) - ANSI 01.1 Requisitos de seguridad para máquinas que trabajan de carpintería
- Reglamentaciones del Departamento del Trabajo de EE. UU.: [www.osha.gov](http://www.osha.gov)

## NORMAS DE SEGURIDAD: DEFINICIONES

Este manual contiene información que es importante que usted conozca y comprenda. Esta información está relacionada con la protección de SU SEGURIDAD y la PREVENCIÓN DE PROBLEMAS CON EL EQUIPO. Para ayudarle a reconocer esta información, utilizamos los símbolos que figuran a continuación. Lea este manual y preste atención a estas secciones.

**▲ PELIGRO:** Indica una situación peligrosa inminente que, de no evitarse, causará la muerte o lesiones graves.

**▲ ADVERTENCIA:** Indica una situación potencialmente peligrosa que, de no evitarse, podría causar la muerte o lesiones graves.

**▲ PRECAUCIÓN:** Indica una situación potencialmente peligrosa que, de no evitarse, puede causar lesiones menores o moderadas.

**PRECAUCIÓN:** Usado sin el símbolo de alerta de seguridad indica una situación potencialmente peligrosa que, de no evitarse, puede causar daños a la propiedad.

# REGLAS GENERALES DE SEGURIDAD

**▲ ADVERTENCIA:** NO SEGUIR ESTAS REGLAS DE SEGURIDAD PUEDE OCASIONAR LESIONES PERSONALES GRAVES.

- POR SU PROPIA SEGURIDAD, LEA Y COMPRENDA EL MANUAL DE INSTRUCCIONES ANTES DE OPERAR LA UNIDAD. Conozca los usos y las limitaciones de la unidad, así como los peligros específicos propios de la misma.
- MANTENGA LIMPIA EL ÁREA DE TRABAJO. Las áreas y los bancos desordenados pueden provocar accidentes.
- NO USE EN ENTORNOS PELIGROSOS. No use esta unidad en lugares húmedos o mojados, ni la esponja a la lluvia. Mantenga el área de trabajo bien iluminada.
- MANTENGA ALEJADOS A LOS NIÑOS Y VISITANTES. Todos los niños y visitantes deben mantenerse a una distancia prudente del área de trabajo.
- DESCONECTE LA UNIDAD antes de efectuarle tareas de mantenimiento.
- CONTROLE LAS PIEZAS DAÑADAS. Antes de seguir usando la unidad, repare o reemplace de forma adecuada cualquier pieza que esté dañada.

**▲ ADVERTENCIA:** NO OBSERVAR ESTAS REGLAS DE SEGURIDAD PUEDE OCASIONAR LESIONES GRAVES.

1. Lea y comprenda los carteles de advertencia de la máquina y de este manual. No cumplir con todas estas advertencias puede causar lesiones graves.
  2. Reemplace las etiquetas de advertencia si se tornan borrosas o se desprenden.
  3. Esta máquina está diseñada y destinada para ser utilizada únicamente por personal capacitado adecuadamente y experimentado. Si no está familiarizado con la operación adecuada y segura de una rectificadora, no la utilice hasta recibir la capacitación y el conocimiento adecuados.
  4. No utilice esta máquina para otra cosa que no sea su uso previsto. Si se utiliza para otros propósitos, DELTA® Power Equipment Corporation se exime de cualquier garantía real o implícita y se mantiene indemne ante cualquier lesión que pueda ser consecuencia de dicha utilización.
  5. Siempre use lentes de seguridad/careta al utilizar esta rectificadora.
  6. Antes de operar esta rectificadora, quítese la corbata, los anillos, relojes y otras alhajas, y remánguese las mangas más arriba de los codos. No use ropa suelta; el cabello largo debe estar cubierto. Se recomienda utilizar calzado antideslizante o tiras antiderrapantes en el piso. No use guantes.
  7. Use protectores auditivos (tapones u orejeras) durante períodos de operación extensos.
  8. Parte del polvo creado por el lijado, el aserrado, el amolado, el barrenado y otras actividades de construcción contiene productos químicos que se sabe que causan cáncer, defectos congénitos y otros daños reproductivos. Algunos ejemplos de estos productos químicos son:
    - plomo de pinturas a base de plomo;
    - sílice cristalina de ladrillos, cemento y otros productos de albañilería;
    - arsénico y cromo de madera tratada químicamente.
- Su riesgo de exposición varía dependiendo de la frecuencia con la que realice este tipo de trabajo. Para reducir su exposición a estos productos químicos, trabaje en un área bien ventilada y trabaje con equipos de seguridad aprobados, como máscaras faciales y para polvo que estén específicamente diseñadas para no dejar pasar las partículas microscópicas.
9. No opere esta máquina cuando esté cansado o bajo los efectos de drogas, alcohol o cualquier medicamento.
  10. Asegúrese de que el interruptor esté en la posición OFF (APAGADO) antes de conectar la máquina a una fuente de alimentación.
  11. Asegúrese de que la máquina esté conectada a tierra de forma adecuada.
  12. Desenchufe la máquina de la fuente de alimentación para realizar todos los ajustes y el mantenimiento de la misma.
  13. Cree el hábito de verificar que todos los equipos adicionales, como llaves de ajuste, llaves, descartes, material y paños de limpieza, se alejen de la máquina antes de encenderla.
  14. Mantenga los protectores de seguridad en su lugar en todo momento cuando la máquina esté en uso. Si se quitan por razones de mantenimiento, aplique extrema precaución y vuelva a colocar los protectores inmediatamente cuando se complete el mantenimiento.
  15. Asegúrese de que la herramienta esté firmemente sujeta a una superficie de trabajo estable antes de utilizarla.
  16. Examine las piezas dañadas. Antes de seguir utilizando la máquina, debe examinarse cuidadosamente si el protector u otra pieza están dañados, para determinar que funcionarán adecuadamente y desempeñarán su función prevista. Examine la alineación de las piezas móviles, la unión de las piezas móviles, si hay piezas rotas, el montaje y cualquier otra condición que pueda afectar su funcionamiento. Los protectores o las otras piezas que estén dañados deben repararse o reemplazarse adecuadamente.

17. Provea un espacio adecuado alrededor del área de trabajo e iluminación superior antirreflejo.
18. Mantenga el piso alrededor de la máquina limpio y libre de descartes de material, aceite y grasa.
19. Mantenga a los visitantes a una distancia prudente del área de trabajo. Mantenga alejados a los niños.
20. Haga su taller a prueba de niños, mediante candados, interruptores generales o sacando las llaves de encendido.
21. Preste absoluta atención a su trabajo. Mirar alrededor, mantener una conversación y los juegos físicos bruscos son acciones negligentes que pueden ocasionar lesiones graves.
22. Mantenga una postura balanceada en todo momento para que no caerse ni apoyarse sobre la herramienta o sus piezas móviles. No se extralimite ni aplique fuerza excesiva para realizar cualquiera de las operaciones de la máquina.
23. Utilice la herramienta correcta, a la velocidad y tasa de alimentación adecuadas. No fuerce una herramienta o acoplamiento para que realicen un trabajo para el cual no fueron diseñados. La herramienta adecuada realizará mejor el trabajo y de manera más segura.
24. Utilice los accesorios recomendados; los accesorios incorrectos podrían ser peligrosos.

25. Realice el mantenimiento de la maquinaria con cuidado. Siga las instrucciones para lubricar y cambiar los accesorios.
26. Apague la máquina antes de limpiarla. Utilice un cepillo o aire comprimido para quitar el polvo o la suciedad; no utilice las manos.
27. No se pare sobre la máquina. Si la máquina se vuelca, podrían ocurrir lesiones graves.
28. Nunca deje la máquina funcionando sin supervisión. Apáguela y no deje la máquina hasta que se haya detenido completamente.
29. Sujete el material con firmeza en todo momento.
30. No utilice esta herramienta para otra cosa que no sea su uso previsto. Si se utiliza para otros propósitos, DELTA® Power Equipment Corporation se exime de cualquier garantía real o implícita y se mantiene indemne ante cualquier lesión o daño que pueda ser consecuencia de dicho uso.

**Familiarícese con los siguientes avisos de seguridad utilizados en este manual:**

**⚠ PRECAUCIÓN:** Esto significa que si no se siguen las precauciones, pueden presentarse lesiones menores y/o posibles daños a la máquina.

**⚠ ADVERTENCIA:** Esto significa que si no se siguen las precauciones, pueden presentarse lesiones graves o posiblemente incluso la muerte.

## REGLAS ESPECÍFICAS DE SEGURIDAD ADICIONALES

**⚠ ADVERTENCIA:** No seguir estas reglas puede provocar graves lesiones personales.

1. **NO** opere esta máquina hasta que esté completamente ensamblada e instalada de acuerdo con las instrucciones. Una máquina ensamblada de manera incorrecta puede causar lesiones graves.
2. **BUSQUE CONSEJO** de su supervisor, instructor u otra persona calificada si no está completamente familiarizado con la operación de esta máquina. El conocimiento es seguridad.
3. **SIGA TODOS LOS CÓDIGOS DE CABLEADO** y las conexiones eléctricas recomendadas para evitar una descarga eléctrica o electrocución.
4. **SIEMPRE USE EL SECANTE** y las bridas de la muela proporcionados para montar las muelas sobre el eje de la rectificadora para prevenir daños a las muelas o una separación accidental. La separación puede provocar que salgan volando fragmentos de la muela a altas velocidades.
5. **SOLO UTILICE MUELAS** adecuadas para la velocidad de la máquina. Las muelas inadecuadas pueden desmoronarse, expulsando fragmentos a altas velocidades.
6. **SOLO UTILICE MUELAS** cuyo orificio sea exactamente igual a los ejes de la máquina. Jamás intente maquinar una muela de menor tamaño para que quede en un eje. Las muelas inadecuadas pueden desmoronarse, expulsando fragmentos a altas velocidades.
7. **NO** apriete demasiado la tuerca de la muela.
8. **NO UTILICE UNA MUELA QUE VIBRE.** Reacondicione la muela, reemplácela o reemplace los cojinetes del eje. Las muelas inadecuadas pueden desmoronarse, expulsando fragmentos a altas velocidades.
9. **INSPECCIONE LAS MUELAS** antes de arrancar la máquina para comprobar que no haya grietas o fragmentos. **REEMPLACE LAS MUELAS DAÑADAS** de inmediato. Partes de la muela pueden ser expulsadas a altas velocidades, provocando lesiones graves.
10. **AJUSTE LOS PROTECTORES OCULARES** cerca de la muela y vuelva a ajustarlos a medida que se desgasta la muela. Las chispas voladoras son peligrosas y pueden provocar incendios o explosiones.

## REGLAS ESPECÍFICAS DE SEGURIDAD ADICIONALES

- 11. SIEMPRE ASEGÚRESE** de que los protectores oculares estén adecuadamente ajustados y firmes.
- 12. AJUSTE LOS SOPORTES DE HERRAMIENTA** cerca de la muela (1/8" de distancia o más). Apriete el soporte de herramienta firmemente para impedir que se cambie de posición y vuelva a ajustarlo a medida que se desgasta la muela. La pieza de trabajo puede ser atrapada por la muela, provocando daños a la pieza de trabajo y/o lesiones graves.
- 13. COLÓQUESE A UN LADO** antes de encender la máquina. Pueden salir volando fragmentos o partes sueltas de la muela a altas velocidades.
- 14. NUNCA RECTIFIQUE CON UNA MUELA FRÍA.** Haga funcionar la rectificadora durante un minuto completo antes de aplicar la pieza de trabajo. Una muela fría tiende a astillarse. Esos fragmentos pueden salir volando de la muela a altas velocidades.
- 15. NUNCA ARRANQUE LA MÁQUINA** con la pieza de trabajo contra la muela. La pieza de trabajo puede ser atrapada por la muela, provocando daños en la máquina y/o lesiones graves.
- 16. LIMPIE LA MÁQUINA** a fondo cuando procese diferentes tipos de piezas de trabajo (madera, acero o aluminio). La combinación de madera y polvo de metal puede crear un peligro de explosión o de incendio. **NO RECTIFIQUE** ni pula el magnesio. De lo contrario, provocará un incendio.
- 17. NUNCA RECTIFIQUE CERCA DE GASES O LÍQUIDOS INFLAMABLES** Las chispas pueden crear un incendio o una explosión.
- 18. EVITE** realizar operaciones o posiciones manuales incómodas. Un deslizamiento repentino puede provocar que la mano se mueva hacia la muela.
- 19. MANTENGA LOS BRAZOS, MANOS** y dedos lejos de la muela. Las superficies abrasivas pueden causar lesiones graves.
- 20. SUJETE FIRMEMENTE LA PIEZA DE TRABAJO** contra el soporte para herramienta. La pérdida de control de la pieza de trabajo puede causar lesiones graves.
- 21. LIMPIE ÚNICAMENTE** la cara de la muela. Limpiar el costado de la muela puede hacerla demasiado delgada para su uso seguro.
- 22. RECTIFIQUE UNA PIEZA DE TRABAJO** usando únicamente la cara de la muela. La pérdida de control de la pieza de trabajo puede causar lesiones graves.
- 23. NUNCA APLIQUE UN REFRIGERANTE** directamente sobre la muela. El refrigerante puede debilitar la fuerza de adhesión de la muela, haciendo que falle. Sumerja la pieza de trabajo en agua para enfriarla.
- 24. NO TOQUE** la porción rectificada de una pieza de trabajo hasta que se haya enfriado lo suficiente. El rectificado produce calor.
- 25. PROPORCIONE APOYO ADECUADO** para las piezas de trabajo largas o anchas. La pérdida de control de la pieza de trabajo puede causar lesiones graves.
- 26. NUNCA REALICE TRABAJOS DE DISEÑO,** ensamble o preparación sobre la mesa o área de trabajo cuando la máquina esté en funcionamiento. Un deslizamiento repentino puede provocar que la mano se mueva hacia la muela. Esto puede ocasionar una lesión grave.
- 27. APAGUE LA MÁQUINA,** desconéctela de la fuente de poder y limpie la mesa o el área de trabajo antes de abandonar la máquina. Bloquee el interruptor en la posición "OFF" (APAGADO) para impedir el uso no autorizado. Otra persona puede arrancar la máquina por accidente y provocarse lesiones graves.
- 28. INFORMACIÓN ADICIONAL** sobre la operación segura y adecuada de las herramientas eléctricas (es decir, un video de seguridad) está disponible en el Instituto de Herramientas Eléctricas, 1300 Sumner Avenue, Cleveland, OH 44115-2851 ([www.powertoolinstitute.com](http://www.powertoolinstitute.com)). También hay información disponible del Consejo Nacional de Seguridad, 1121 Spring Lake Drive, Itasca, IL 60143-3201. Consulte el Instituto Nacional Americano de Normas ANSI 01.1 Requisitos de seguridad para máquinas de carpintería y los reglamentos 1910.213 de OSHA del Departamento de Trabajo de Estados Unidos.

### PROPOSICION 65 DE CALIFORNIA

#### ADVERTENCIA

Cierto polvo generado por el lijado, aserrado, amolado y taladrado mecánicos, y por otras actividades de construcción, contiene agentes químicos que se sabe que causan cáncer, defectos de nacimiento u otros daños sobre la reproducción. Algunos ejemplos de estos agentes químicos son:

- Plomo de pinturas a base de plomo,
- Sílice cristalina de ladrillos y cemento y otros productos de mampostería, y
- Arsénico y cromo de madera tratada químicamente.

Su riesgo por causa de estas exposiciones varía, dependiendo de con cuánta frecuencia realice este tipo de trabajo. Para reducir su exposición a estos agentes químicos: trabaje en un área bien ventilada y trabaje con equipo de seguridad aprobado, como por ejemplo máscaras antipolvo que estén diseñadas especialmente para impedir mediante filtración el paso de partículas microscópicas. Evite el contacto prolongado con el polvo generado por el lijado, aserrado, amolado, taladrado y por otras actividades de construcción. Utilice vestimenta de protección y lave las áreas expuestas con agua y jabón. Dejar que el polvo ingrese en la boca o en los ojos, o permanezca en la piel, puede provocar la absorción de agentes químicos nocivos.

#### ADVERTENCIA

El uso de esta herramienta puede generar o dispersar polvo, lo que puede ocasionar lesiones respiratorias graves o permanentes u otras lesiones. Siempre utilice un respirador apropiado aprobado por NIOSH/OSHA si va a estar expuesto al polvo. Aleje las partículas del rostro y cuerpo.

**GUARDE ESTAS INSTRUCCIONES.** Consúltelas con frecuencia y úselas para dar instrucción a otros.

## CONEXIONES DE ALIMENTACIÓN

Se debe utilizar un circuito eléctrico por separado para sus máquinas. Este circuito no debe ser inferior a un cable calibre 12 y debe estar protegido con un fusible con retardo de tiempo de 20 amperes. Si se utiliza un alargador eléctrico, use únicamente alargadores eléctricos trifilares con enchufes del tipo que tienen 3 clavijas con conexión a tierra y un tomacorriente equivalente que acepte el enchufe de la máquina. Antes de conectar la máquina a la línea de alimentación, cerciórese de que el interruptor esté en la posición "OFF" (APAGADO) y verifique que la corriente eléctrica sea de las mismas características que se indican en la máquina. Todas las conexiones a la línea deben hacer buen contacto. Hacerla funcionar en baja tensión dañará la máquina.

**⚠ PELIGRO:** NO EXPONGA LA MÁQUINA A LA LLUVIA NI LA OPERE EN LUGARES HÚMEDOS.

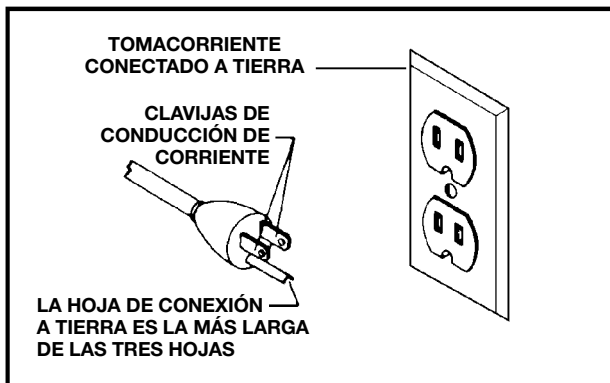


FIG. A

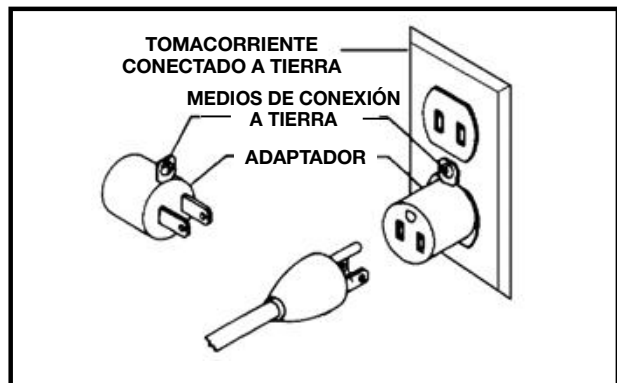


FIG. B

### ESPECIFICACIONES DEL MOTOR

Su máquina está cableada para 120 voltios de corriente alterna a 60 Hz. Antes de conectar la máquina a una fuente de alimentación, asegúrese de que el interruptor esté en la posición "OFF" (apagado).

### INSTRUCCIONES DE CONEXIÓN A TIERRA

**⚠ PELIGRO:** ESTA MÁQUINA DEBE ESTAR CONECTADA A TIERRA MIENTRAS ESTÉ EN USO PARA PROTEGER AL OPERADOR DE UNA DESCARGA ELÉCTRICA.

#### 1. Todas las máquinas conectadas con cables y con conexión a tierra:

En caso de mal funcionamiento o avería, la conexión a tierra proporciona un pasaje de menor resistencia para la corriente eléctrica para reducir el riesgo de descarga eléctrica. Esta máquina está equipada con un cable eléctrico, que tiene un conductor que conecta el equipo a tierra y un enchufe de conexión a tierra. El enchufe debe estar enchufado en un tomacorriente equivalente, que esté instalado y conectado a tierra correctamente, según todos los códigos y ordenanzas locales.

No modifique el enchufe suministrado; si no calza en el tomacorriente, haga instalar el tomacorriente adecuado por un electricista certificado.

Conectar incorrectamente el conductor que conecta el equipo a tierra puede provocar riesgo de shock eléctrico. El conductor con aislamiento que tiene una superficie exterior verde con o sin rayas amarillas es el conductor que conecta el equipo a tierra. Si es necesario reparar o reemplazar el cable eléctrico o el enchufe, no conecte el conductor que conecta el equipo a tierra a una terminal activa.

Consulte con un electricista certificado o con el personal de servicio de mantenimiento si no comprende completamente las instrucciones de conexión a tierra o si tiene dudas sobre si la máquina está conectada a tierra adecuadamente.

Utilice únicamente alargadores eléctricos trifilares con enchufes del tipo que tienen tres clavijas y un tomacorriente equivalente de 3 conductores que acepten el enchufe de la máquina, como se muestra en la figura A.

Repáre o reemplace inmediatamente el cable que esté dañado o deteriorado.

**⚠ PELIGRO:** EN TODOS LOS CASOS, ASEGÚRESE DE QUE EL TOMACORRIENTE EN CUESTIÓN ESTÉ CONECTADO A TIERRA CORRECTAMENTE. SI NO ESTÁ SEGURO, HAGA QUE UN ELECTRICISTA CERTIFICADO VERIFIQUE EL TOMACORRIENTE.

## ALARGADORES ELÉCTRICOS

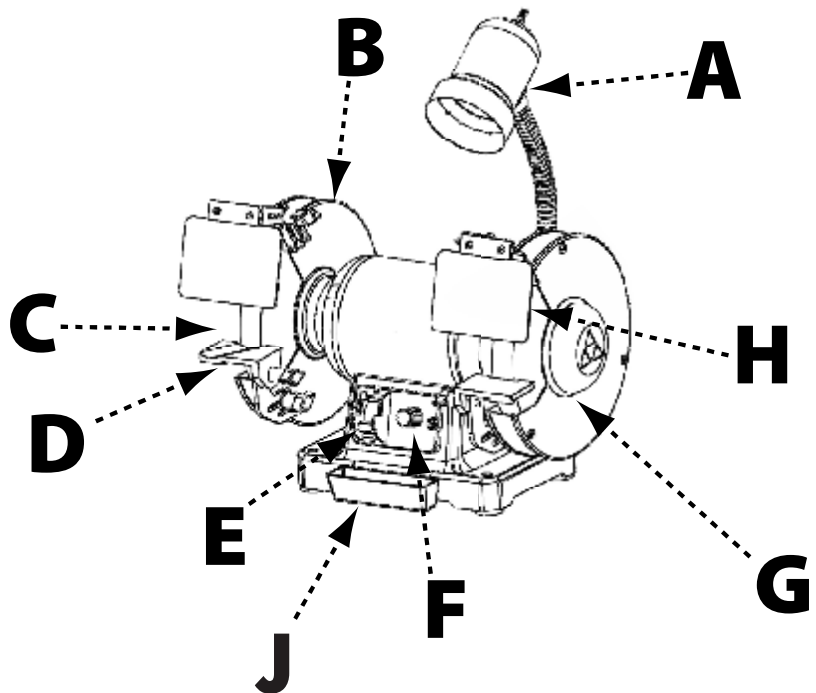
**▲ PRECAUCIÓN:** Utilice los alargadores eléctricos adecuados. Cerciórese de que los alargadores eléctricos estén en buenas condiciones y de que sean del tipo de alargadores eléctricos con 3 cables que tienen un enchufe con conexión a tierra con 3 clavijas y un tomacorriente equivalente que acepte el enchufe de la máquina. Cuando utilice un alargador eléctrico, asegúrese de que sea lo suficientemente resistente para soportar la corriente de la máquina. Un cable inferior causará una disminución en el voltaje de la línea, lo cual genera pérdida de potencia y recalentamiento. La tabla muestra el calibre correcto que se debe usar dependiendo del largo del cable. Si tiene dudas, utilice el siguiente calibre más resistente. Cuanto menor el número del calibre, más resistente es el cable.

ALARGADOR ELÉCTRICO DE CALIBRE MÍNIMO TAMAÑOS RECOMENDADOS PARA UTILIZAR CON MÁQUINAS ELÉCTRICAS FIJAS			
Amperaje	Voltios	Largo total del cable en metros (pies)	Calibre del alargador eléctrico
0-6	120	hasta 7.6 (25)	18 AWG
0-6	120	7.6-15.2 (25-50)	16 AWG
0-6	120	15.2-30.5 (50-100)	16 AWG
0-6	120	30.5-45.7 (100-150)	14 AWG
6-10	120	hasta 7.6 (25)	18 AWG
6-10	120	7.6-15.2 (25-50)	16 AWG
6-10	120	15.2-30.5 (50-100)	14 AWG
6-10	120	30.5-45.7 (100-150)	12 AWG
10-12	120	hasta 7.6 (25)	16 AWG
10-12	120	7.6-15.2 (25-50)	16 AWG
10-12	120	15.2-30.5 (50-100)	14 AWG
10-12	120	30.5-45.7 (100-150)	12 AWG
12-16	120	hasta 7.6 (25)	14 AWG
12-16	120	7.6-15.2 (25-50)	12 AWG
12-16	120	NO SE RECOMIENDA UNA LONGITUD MAYOR A 15.2 METROS (50 PIES)	

## CARACTERÍSTICAS Y COMPONENTES CLAVE

(las características empiezan desde la parte superior y continúan hacia la izquierda de la herramienta)

- A. Lámpara de trabajo flexible (bombilla no incluye)
- B. Guarda de la muela
- C. Muela de óxido de aluminio
- D. Soporte ajustable
- E. Interruptor de encendido/apagado con llave de bloqueo
- F. Control de velocidad variable
- G. Muela de óxido de aluminio
- H. Protector de chispas ajustable
- I. Espacio de almacenamiento para la llave y la herramienta de limpieza incluidos (no se muestra)
- J. Charola para refrigerante



## DESCRIPCIÓN FUNCIONAL

La DELTA® 23-196 es una rectificadora de velocidad variable de 6 pulgadas y la DELTA® 23-197 es una rectificadora de velocidad variable de 8 pulgadas. Estas máquinas ofrecen un desempeño superior en operaciones de rectificado y afilado que además, con los accesorios adecuados, permiten al usuario remover óxido y pulir metal. Este modelo incluye una lámpara flexible, soporte ajustables, sistema de tuercas de eje de liberación rápida y dos protectores oculares grandes para mayor seguridad.



## ESPECIFICACIONES DEL PRODUCTO

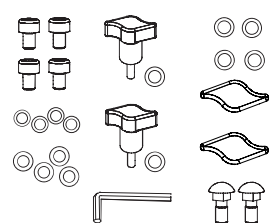
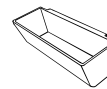
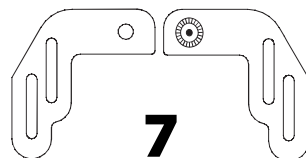
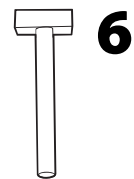
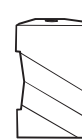
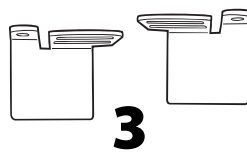
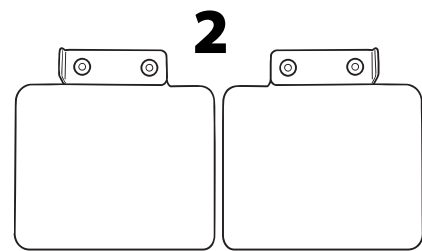
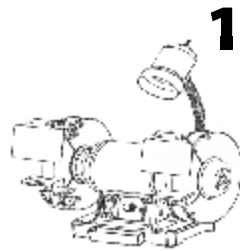
	Modelo 23-196	Modelo 23-197
Motor:	2.5 amp, 120V, monofásico	5 amp, 120V, monofásico
Velocidad de la muela:	2,000 a 3,400 rpm	2,000 a 3,400 rpm
Grano de la muela	36 (grosso), 60 (medio)	36 (grosso), 60 (medio)
Muela (diámetro x espesor)	6" x 3/4"	8" x 1"
Dimensiones (LxAxH) (sin incluir la lámpara)	15-5/8" x10" x 11-3/4"	16-1/2" x10-3/4" x 13-1/4"
Huella de la base (LxA)	8-3/4" x 6-1/4"	9-3/4" x6-1/2"
Diámetro del eje	1/2"	5/8"
Peso de la herramienta	27 libras	41 libras

## DESEMPAQUE

Compare todas las partes con la siguiente lista y compruebe que todas las partes estén presentes y en buenas condiciones. Reporte cualquier parte que falte o esté dañada a su distribuidor o concesionario. Antes de ensamblar y usar la herramienta, lea con atención este manual para familiarizarse con los procedimientos adecuados de ensamblado, mantenimiento y seguridad.

### DESCRIPCIÓN (CANTIDAD)

1. Rectificadora 23-196 de 6 pulgadas o rectificadora 23-197 de 8 pulgadas (1)
2. Protectores de rectificado (2)
3. Protectores de chispas (2)
4. Soporte plano (1)
5. Soporte biselado (1)
6. Limpiador de la muela (1)
7. Bases del soporte (2)
8. Charola para refrigerante (1)
9. Paquete de tornillería (1)
10. Manual del operador (no se muestra)



### CONTENIDO DEL PAQUETE DE TORNILLERÍA

- Pernos de cabeza redonda M6 x 16 mm (2)
- Arandelas de seguridad D6 (2)
- Arandelas planas D6 (4)
- Perillas bloqueadoras para protectores de ojos (2)
- Perilla bloqueadora para soporte de herramienta (2)
- Tornillo de cabeza hexagonal interior M5 x 10mm (4)
- Arandelas de seguridad D5 (4)
- Arandelas planas D5 (4)
- llave inglesa (1)

## DESEMPAQUE

Retire todo el material y los recubrimientos protectores de todas las partes y de la herramienta. Los recubrimientos protectores pueden quitarse rociando WD-40 sobre ellos y retirándolos con un paño suave. Es posible que deba hacer esto varias veces para quitar por completo todos los recubrimientos protectores.

**⚠ ADVERTENCIA:** Si falta cualquiera de las partes, no intente conectar el cable de corriente y encender la máquina. La máquina debe encenderse únicamente después de tener e instalar correctamente todas las partes.

## ENSAMBLE

### INSTALACIÓN DEL PROTECTOR DE CHISPAS Y EL PROTECTOR DE RECTIFICADO

Consulte la Figura 1.

1. Coloque dos tornillos hexagonales M5 x 10 mm con una arandela de seguridad M5 y una arandela plana. Use los tornillos hexagonales y las arandelas ensambladas para sujetar el protector de chispas (A) a la guarda de la muela. El protector de chispas debe colocarse aproximadamente a 1/8" de distancia de la muela.
2. Repita el paso anterior con el segundo protector de chispas.
3. Use un perno de soporte M6 x 16 mm e insértelo en el orificio más alejado del protector de chispas para sujetar el protector de rectificad (B) Sujételo usando una arandela plana M5 y una perilla de ajuste roscada.
4. Repita el paso anterior con el segundo protector de rectificad.

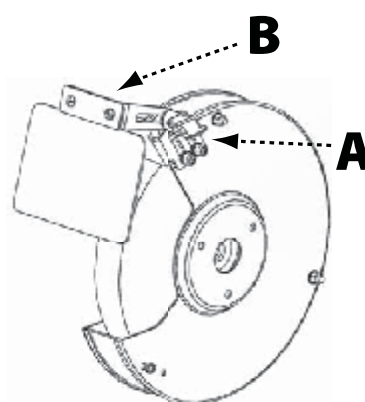


FIGURA 1

### INSTALACIÓN DEL SOPORTE

Consulte la Figura 2.

1. Retire la perilla (D), la arandela de estrella y la arandela del perno de cabeza redonda de la porción inferior de la guarda de la muela. Utilizando el perno de cabeza redonda, la arandela de estrella, la arandela y la perilla de sujeción, monte la abrazadera del soporte de trabajo (A) al interior de la guarda de la muela como se muestra. NOTA: El reborde dentado de la base del soporte debe estar orientado hacia el centro de la herramienta.
2. Monte el soporte de la herramienta (B) a la base de dicho soporte usando una perilla de sujeción del soporte de la herramienta.
3. Ajuste la posición de la base del soporte de la herramienta a fin de que el soporte quede aproximadamente a 1/8" de distancia de la muela (C).
4. Repita los pasos anteriores con el segundo soporte de la herramienta.

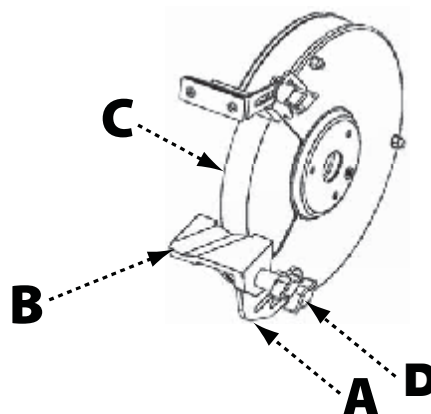


FIGURA 2

## ENSAMBLE

### ALMACENAMIENTO DE HERRAMIENTAS

Su rectificadora® DELTA 23-196 (6 pulgadas) o 23-197 (8 pulgadas) tiene un cómodo almacenamiento de herramientas integrado para el limpiador proporcionado. El almacenamiento de herramientas, que se muestra en la Figura 3, se ubica en la parte posterior de la base de la rectificadora.

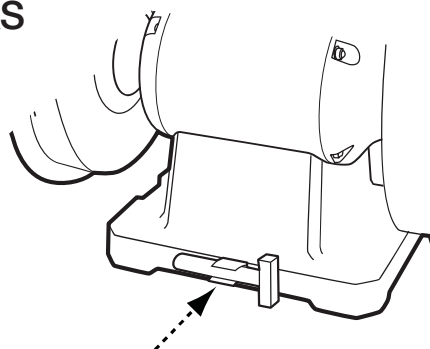


FIGURA 3

### CONFIRMAR QUE LAS TUERCAS DEL EJE ESTÉN APRETADAS

Antes de utilizar su rectificadora por primera vez, se recomienda que compruebe que las tuercas del eje estén apretadas. Para comprobar que las tuercas del eje estén apretadas, realice el siguiente procedimiento:

1. Retire los (3) tornillos (A) que sujetan la cara exterior de la guarda del disco al marco de la herramienta. Vea la Figura 4.
2. etire la guarda.
3. Con una llave adecuada, en la tuerca del eje(B) al tiempo que usa la otra mano para impedir que el disco se mueva. Vea la Figura 5. Apriete la tuerca del eje tanto como sea posible.

NOTA: La tuerca del eje del lado derecho de la máquina se aprieta girándola hacia la derecha y la tuerca del eje del lado izquierdo de la máquina se aprieta girándola hacia la izquierda.

4. Repita el proceso en el otro lado.

NOTA: A medida que utiliza su rectificadora, la fuerza y la dirección de la muela provocarán que la tuerca del eje se apriete automáticamente. No obstante, se recomienda que revise periódicamente que las tuercas estén apretadas como parte de su mantenimiento regular de herramientas.

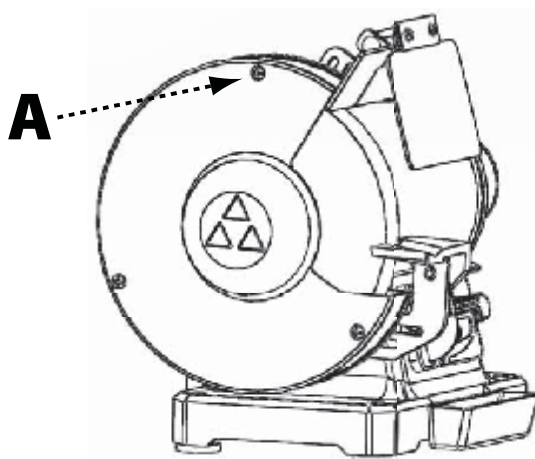


FIGURA 4

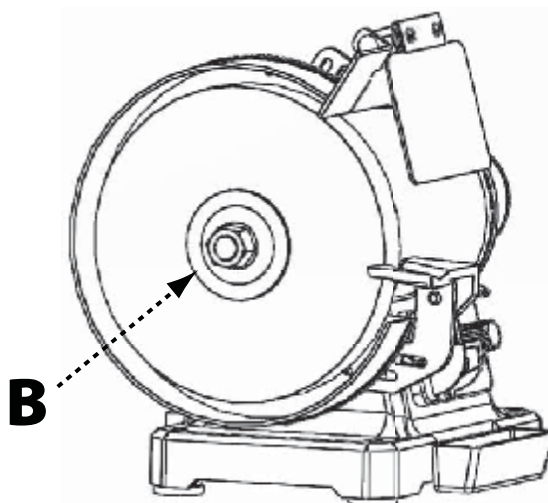


FIGURA 5

# FUNCIONAMIENTO

## ARRANQUE Y PARO

**⚠ ADVERTENCIA:** Asegúrese de que el interruptor esté en la posición de "OFF" (APAGADO) antes de conectar el cable al tomacorriente. No toque las puntas de metal del enchufe cuando desconecte o conecte el cable.

El interruptor de encendido/apagado (A) se encuentra al frente de la rectificadora. Vea la Figura 6. Para encender la máquina, suba el interruptor a la posición "ON" (Encendido). Para apagar la máquina, baje el interruptor hacia la posición "OFF" (Apagado).

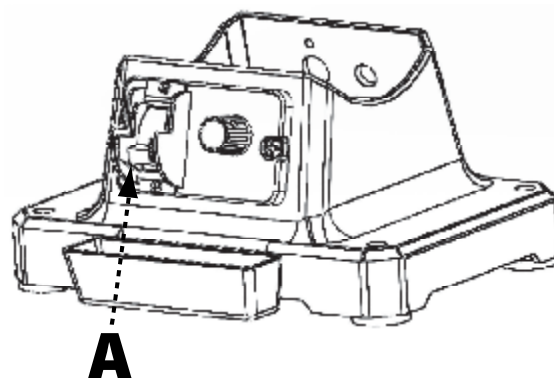


FIGURA 6

## BLOQUEO DE LA MÁQUINA

**IMPORTANTE:** Cuando la máquina no esté en uso, el interruptor debe bloquearse en la posición "OFF" para evitar el uso no autorizado.

Para bloquear la máquina, retire la llave (1) jalándola hacia afuera. Vea la Figura 7. Si se retira la llave de encendido, la máquina no funcionará.

En caso de que se retire la llave mientras la rectificadora está funcionando, la máquina puede apagarse, mas no puede volver a encenderse, a menos que se vuelva a insertar la llave.

**⚠ ADVERTENCIA:** En caso de una interrupción de energía eléctrica (como un disparo del disyuntor o una desconexión del fusible), siempre cambie la llave a la posición "OFF" hasta que se restaure la energía eléctrica.

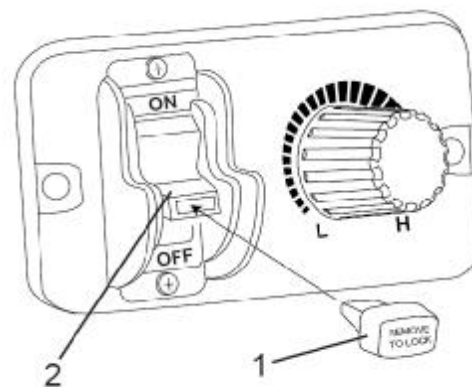


FIGURA 7

## USO DEL CONTROL DE VELOCIDAD VARIABLE

La rectificadora está equipada con un control de velocidad variable que se encuentra a un lado del interruptor de contacto. Cuando la perilla del control de velocidad variable se coloca en la posición extrema izquierda, se obtienen 2000 RPM. La rotación aumenta cuando la perilla del control de velocidad variable se gira hacia la derecha. Cuando se coloca en la posición extrema derecha, se obtienen 3400 RPM.

## USO DE LA LÁMPARA FLEXIBLE

La lámpara flexible opera independientemente de la rectificadora. Para encender o apagar la lámpara, gire el interruptor situado en la parte superior de la lámpara.

**⚠ ADVERTENCIA:** Para reducir el riesgo de incendio, use un foco reflector tipo pista de 40 watts o menos y 120 voltios (no incluido). No debe utilizarse un foco doméstico común. El foco reflector tipo pista no debe sobresalir de la pantalla de la lámpara.

# MANTENIMIENTO

## MUELAS RECTIFICADORAS

**▲ ADVERTENCIA:** El uso de accesorios y conexiones que no sean recomendados por DELTA® puede ocasionar riesgo de lesiones.

Las muelas rectificadoras que se utilizan en esta rectificadora deben tener una clasificación de 3600 RPM o más y medir 1" de ancho. Las muelas rectificadoras de la DELTA® 23-196 deben medir 6" de diámetro con un orificio de eje de 1/2". Las muelas rectificadoras de la DELTA® 23-197 deben medir 8" de diámetro con un orificio de eje de 5/8".

**▲ PRECAUCIÓN:** Si usa una muela que mida menos de 3/4" en la rectificadora de 6 pulgadas o 1" de ancho en la rectificadora de 8 pulgadas, se generarán vibraciones que podrían dañar la máquina.

**▲ ADVERTENCIA:** SIEMPRE mantenga una distancia de 1/8" o menos entre la muela y el soporte. Ajuste el soporte y las guardas de chispas a medida que las muelas rectificadoras disminuyan en tamaño con el uso.

La DELTA® 23-196 incluye una muela de óxido de aluminio de 6" (gris) y una muela compuesta de 6" (gris). La DELTA® 23-197 incluye una muela de óxido de aluminio de 8" (gris) y una muela compuesta de 8" (gris). Para mejores resultados y para mantener adecuadamente las muelas rectificadoras, siga estas recomendaciones:

1. Mantenga las muelas adecuadamente limpias.
2. No fuerce el material contra una muela fría. Siempre haga funcionar la rectificadora durante un minuto completo antes de aplicar la pieza de trabajo.
3. Use únicamente muelas equilibradas con su rectificadora. Usar muelas equilibradas añade años a la vida útil de los cojinetes de la rectificadora. Al eliminar la fuente más común de vibraciones, sus proyectos de rectificado serán más exactos.

## LIMPIEZA DE LAS MUELAS

Su rectificadora DELTA® 23-196 (6 pulgadas) o 23-197 (8 pulgadas) incluye un limpiador de muela de diamante. Hay un área de almacenamiento para el limpiador en la parte posterior de la máquina para un fácil acceso. Use esta herramienta o cualquier otro limpiador de tipo varilla adecuado para mantener las muelas rectificadoras limpias y parejas.

Para limpiar la muela, consulte la Figura 8 y realice el siguiente procedimiento:

1. Mueva el limpiador (A) hacia adelante en el soporte hasta que toque levemente el punto alto de la cara de la muela.
2. Limpie la muela moviendo el limpiador de lado a lado.
3. Repita esta operación hasta que la cara de la muela quede limpia y los bordes estén parejos.

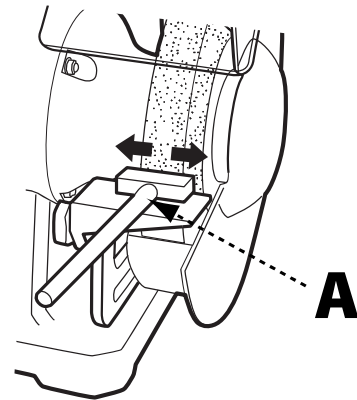


FIGURA 8

## MANTENIMIENTO

### REEMPLAZO O CAMBIO DE MUELAS RECTIFICADORAS

**⚠ ADVERTENCIA:** Desconecte la máquina de la fuente de poder.

Para los pasos 1 a 4, consulte las Figuras 4 y 5 de la página 38:

1. Retire los (3) tornillos que sujetan la cara exterior de la guarda del disco al marco de la herramienta.
2. Retire la guarda.
3. Con una llave adecuada, en la tuerca del eje (B) al tiempo que usa la otra mano para impedir que el disco se mueva. Afloje la tuerca del eje.
4. Retire la tuerca del eje (A), la brida del disco (B) y el disco abrasivo usado (C) como muestra en la Figura 9.

NOTA: Para aflojar las tuercas del eje en el lado derecho gírelas hacia la izquierda. Para aflojar las tuercas del eje en el lado izquierdo gírelas hacia la derecha.

5. Coloque el nuevo disco abrasivo en el eje. NOTA: Los discos abrasivos para la 23-196 deben ser de 1.9 cm ( $\frac{3}{4}$  pulg.).
6. Coloque la brida en el eje y enrosque la tuerca en el eje hasta que ésta haga contacto con la brida.

7. Apriete la tuerca del eje tanto como sea posible.
8. Coloque de nuevo la guarda del disco y sujétela con los (3) tornillos que se retiraron anteriormente.

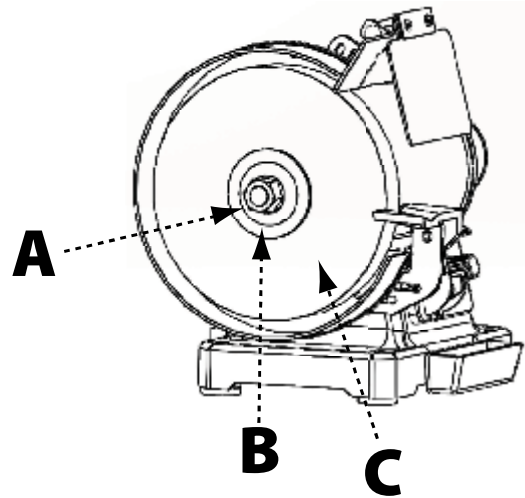


FIGURA 9

## OTRO MANTENIMIENTO RECOMENDADO

1. Sopletee periódicamente todos los conductos de aire con aire comprimido seco. Todas las partes de plástico deben limpiarse con un paño húmedo y suave. NUNCA use solventes para limpiar las partes de plástico. Pueden disolver o dañar de alguna manera el material.
2. Inspeccione periódicamente que las tuercas del eje estén apretadas.
3. Revise periódicamente que el resto de la tornillería esté ajustada y escuche con atención si hay vibraciones inusuales a medida que trabaja, puesto que pueden ser un signo de tornillería suelta.



# ACCESORIOS

**⚠ ADVERTENCIA:** Debido a que los accesorios que no ofrece DELTA® no han sido probados con este producto, el uso de dichos accesorios puede ser peligroso. Para obtener una operación segura, se deben utilizar con este producto únicamente los accesorios recomendados por DELTA®.

# GARANTÍA

## GARANTÍA LIMITADA DE CINCO AÑOS

Delta® Power Equipment Corporation

1. **¿QUÉ CUBRE?** Delta Power Equipment Corporation ("Compañía") reparará o reemplazará, a su elección, cualquier máquina o pieza de servicio DELTA® nueva o reacondicionada de fábrica que se compre al menudeo en Estados Unidos o Canadá y que presente defectos comprobados en uso normal en cuanto a mano de obra o material, sujeto a las condiciones establecidas en esta garantía limitada. Esta garantía limitada cubre únicamente materiales y mano de obra. Todos los costos de transporte serán responsabilidad del cliente.
2. **PERIODO DE GARANTÍA.** Todos los reclamos de garantía deben enviarse en un plazo de cinco años a partir de la fecha de compra al menudeo. El periodo de garantía para todas las piezas de servicio y máquinas reacondicionadas de fábrica DELTA® es de 180 días.
3. **CÓMO OBTENER SERVICIO.** Para obtener el servicio de garantía, debe regresar el producto defectuoso, por su propia cuenta, a un centro de servicio autorizado por la compañía para realizar el servicio de garantía (un "Centro de Servicio Autorizado DELTA®") dentro del plazo del periodo de garantía aplicable, junto con un comprobante de compra aceptable, tal como el recibo original que indica la fecha de la compra o el número de registro del producto. La compañía se reserva el derecho a restringir el servicio de reclamación de garantía al país donde se realizó la compra y/o cobrar por el costo de exportar piezas de servicio o proporcionar servicio de garantía en un país diferente. Las compras en línea se consideran como realizadas en Estados Unidos. Para encontrar la ubicación de su Centro de Servicio Autorizado DELTA® más cercano, llame al Centro de Atención al Cliente de la compañía al (800) 223-7278.
4. **EXCLUSIONES.**
  - La compañía no ofrece ninguna garantía a los productos comprados en condiciones usadas o dañadas.
  - La compañía no garantiza ningún producto comprado fuera de los Estados Unidos o Canadá.
  - La compañía no será responsable de ningún daño que haya resultado por el desgaste normal, maltrato, abuso o cualquier reparación o alteración realizada por cualquier persona excepto un Centro de Servicio Autorizado DELTA® o un representante designado del Centro de Atención al Cliente de la compañía.
  - Todas las GARANTÍAS IMPLÍCITAS están expresamente limitadas al periodo de garantía identificado anteriormente.
  - Bajo ninguna circunstancia se considerará a la compañía como responsable por daños INCIDENTALES O INDIRECTOS.
  - Esta garantía limitada es la única garantía de la compañía y establece el recurso exclusivo del cliente con respecto a productos defectuosos; todas las demás garantías, expresas o implícitas, ya sea de comerciabilidad, idoneidad para un propósito o de otro tipo, están expresamente excluidas por la compañía, excepto según lo establecido anteriormente.

Algunos estados no permiten la exclusión o limitación de responsabilidad por daños incidentales o indirectos, ni la limitación de garantías implícitas; por lo tanto, la anterior limitación o exclusión podría no aplicarse en su caso. Esta garantía le otorga derechos legales específicos y es posible que usted tenga otros derechos que varían en ciertos estados o provincias. Para obtener más detalles sobre la cobertura de la garantía e información de la garantía de reparación, llame al (800) 223-7278. Para registrar sus productos en línea, lo animamos a visitar nuestra página web y registrarse para tener una cuenta de miembro DELTA GRATUITA en <http://www.deltamachinery.com/register>.

**AMÉRICA LATINA:** Esta garantía no se aplica a los productos vendidos en América Latina. Para los productos vendidos en América Latina, vea la información de garantía específica del país contenida en el embalaje, llame a la empresa local o consulte el sitio web para obtener información de garantía.



## ASISTENCIA SOBRE GARANTÍA, SERVICIO O PIEZAS

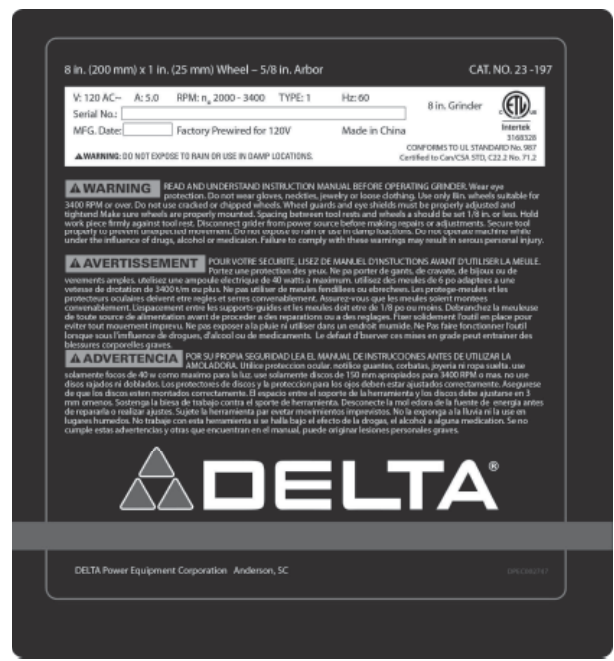
Todas las máquinas y accesorios DELTA® están fabricados en cumplimiento de altos estándares de calidad y reciben el servicio técnico de una red de centros de servicio de fábrica de DELTA® y centros de servicio autorizados de DELTA®. Para obtener información adicional sobre su producto de calidad DELTA®, obtener asistencia sobre garantía, servicio o piezas, o para localizar el centro de servicio más cercano, llame al 1-800-223-7278.

### PIEZAS DE REPUESTO

Utilice solamente piezas de repuesto idénticas. Para obtener una lista de las piezas o para hacer un pedido de piezas, visite nuestro sitio web en [www.DeltaMachinery.com/service](http://www.DeltaMachinery.com/service). También puede hacer un pedido de piezas desde su sucursal de la fábrica más cercana, el centro autorizado de servicio de garantía, o puede llamar al gerente de servicio técnico al número 1-800-223-7278 para recibir asistencia personalizada por parte de uno de nuestros expertos representantes.

### REEMPLAZO GRATUITO DE LA ETIQUETA DE ADVERTENCIA

Si le faltan las etiquetas de advertencia o si se encuentran ilegibles, llame al 1-800-223-7278 para que se las reemplacen de manera gratuita.



### SERVICIO TÉCNICO Y REPARACIONES

Todas las herramientas de calidad en algún momento necesitarán servicio técnico o reemplazo de las piezas. Para obtener información sobre DELTA® Power Equipment Corporation, sus sucursales de fábrica o para localizar un centro autorizado de servicio de garantía, visite nuestro sitio web en [www.DeltaMachinery.com/service](http://www.DeltaMachinery.com/service) o llame a nuestro centro de atención al cliente al 1-800-223-7278. Todas las reparaciones realizadas en nuestros centros de servicio tienen garantía completa contra materiales o mano de obra defectuosos. La garantía no cubre las reparaciones realizadas por terceros. También puede encontrar respuestas a las preguntas más frecuentes, las 24 horas del día, llamando al número indicado anteriormente.

También nos puede escribir para obtener información a: DELTA® Power Equipment Corporation, 1924 Pearman Dairy Rd, Anderson SC 29625 - Attention: Technical Service Manager. Asegúrese de incluir toda la información que figura en la placa de identificación de su herramienta (número de modelo, tipo, número de serie, código de fecha, etc.)



---

**POWER EQUIPMENT CORPORATION**

1924 Pearman Dairy Rd,  
Anderson SC 29625  
(800) 223-7278  
[www.DeltaMachinery.com](http://www.DeltaMachinery.com)

Copyright © 2013 DELTA® Power Equipment Corporation DPEC002776 - 10-01-13



## Free Manuals Download Website

<http://myh66.com>

<http://usermanuals.us>

<http://www.somanuals.com>

<http://www.4manuals.cc>

<http://www.manual-lib.com>

<http://www.404manual.com>

<http://www.luxmanual.com>

<http://aubethermostatmanual.com>

Golf course search by state

<http://golfingnear.com>

Email search by domain

<http://emailbydomain.com>

Auto manuals search

<http://auto.somanuals.com>

TV manuals search

<http://tv.somanuals.com>