

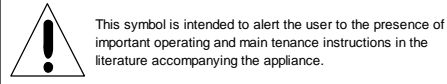
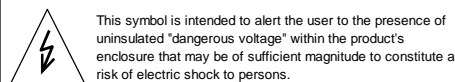
SV-6714 INSTRUCTION MANUAL



Rear View Color Camera

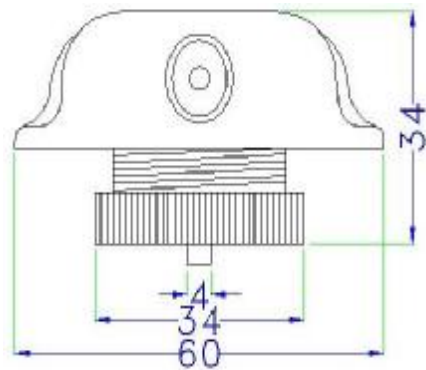


CAUTION : TO REDUCE THE RISK OF ELECTRIC SHOCK, DO NOT REMOVE COVER (OR BACK) NOT USE A SERVICEABLE PARTS INSIDE REFER SERVICING TO QUALIFIED SERVICE PERSONNEL



WARNING : TO REDUCE THE RISK OF FIRE OR ELECTRIC SHOCK DO NOT EXPOSE THIS APPLIANCE TO RAIN OR MOISTURE

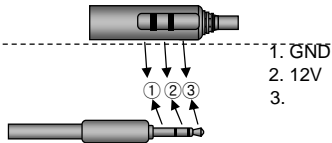
Dimensions



Connection

EXTENTION CABLE

- RCA Male : Monitor Video
- Black : GND
- Red : Battery + Reverse Lamp



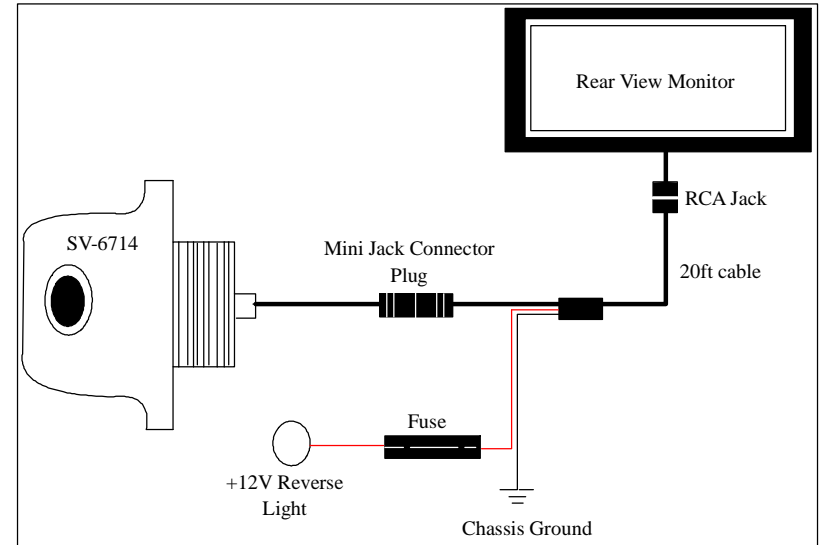
Specification



CAUTION :Please Use Regulated Power Supply 12VDC 300mA

		SJR5105AF	
TV SYSTEM		NTSC	PAL
NO. OF PIXELS	H	510	500
	V	492	582
SCANNING FREQUENCY	H	15.734 Khz	15.625 Khz
	V	59.94 Hz	50 Hz
HORIZONTAL RESOLUTION		380 TV Lines	380 TV Lines
SHUTTER SPEED		1/60-1/100,000 sec	1/50-1/100,000 sec
IMAGE PICK-UP DEVICE		1/4" IT COLOR CCD Image Sensor	
SCANNING SYSTEM		2:1 Interlaced	
SYNC. SYSTEM		Internal	
S/N RATIO (AGC off)		More than 48 dB	
MIN. SENSITIVITY		0.5 Lux - at F : 2.0 / 30 IRE	
GAMMA CORRECTION		0.45 Approx	
GAIN CONTROL		Automatic	
VIDEO OUTPUT		Composite Video 1.0Vp-p/750hm	
LENS		f=1.7mm (155deg)	
POWER SOURCE		DC 12V 300mA Regulated Power Supply	
POWER CONSUMPTION		Max 2W	
OPERATING TEMP.		-10°C - +50°C	
DIMENSIONS / mm		60(W) X 41(H) X 34(L)	
WEIGHT		50g	

WIRING DIAGRAM



WARNING

The SV-6714 Back up camera system is strictly a driver assistant device. It should not be considered safety device for any purposes. Manufacturer and distributors of the product do not guarantee or assume liability for collision or damages that take place when backing up your vehicle.

TechWeb

ONLINE TECHNICAL SUPPORT
www.crimestopper.com

CRIMESTOPPER

www.crimestopper.com

Phone: 800-998-6880

Fax: 805-581-9500

© 2008 Crimestopper Security Products

CABLE	3p Phone jack
ACCESSORIES	Extention Cable, Hole cutter



Free Manuals Download Website

<http://myh66.com>

<http://usermanuals.us>

<http://www.somanuals.com>

<http://www.4manuals.cc>

<http://www.manual-lib.com>

<http://www.404manual.com>

<http://www.luxmanual.com>

<http://aubethermostatmanual.com>

Golf course search by state

<http://golfingnear.com>

Email search by domain

<http://emailbydomain.com>

Auto manuals search

<http://auto.somanuals.com>

TV manuals search

<http://tv.somanuals.com>