

HCC310 Domino Ceramic Griddle

Manual for Installation, Use and Maintenance

|C|D|A|



Dear Customer,

Thank you for choosing one of our products.

The warnings and tips given below are intended to protect your safety and that of others. They will also help you make the most of your appliance.

Keep this booklet in a safe place. It will be useful if you, or anyone else, have any questions about use of the appliance.

This appliance must only be used for the purpose for which it was designed, i.e. for cooking foods.

Any other use should be considered incorrect and therefore dangerous.

The manufacturer declines all responsibility for damage caused by improper, incorrect or irresponsible use of the appliance.


CE Declaration of conformity

- ✓ This hob is intended to come into contact with food products and conforms with European Directive 89/109/EEC.
- ✓ This hob has been designed for use only as a cooking appliance. Any other use (e.g. heating rooms) should be considered incorrect and therefore dangerous.
- ✓ This hob has been designed, constructed and put on to the market in conformity with:
 - Safety requirements of the "Low Voltage" Directive 73/23/EEC;
 - Protection requirements of the "EMC" Directive 89/336/EEC;
 - Requirements of Directive 93/68/EEC.

Rating Plate



IMPORTANT WARNINGS AND TIPS

- ✓ When unpacking the appliance make sure that it is not damaged. If you have any doubts, do not use the appliance but consult your supplier or an engineer.
- ✓ The packing materials (plastic bags, expanded polystyrene, nails, bands etc.) must not be left within easy reach of children, because they are a possible source of danger.
- ✓ The packaging material is recyclable and is marked with the recycling symbol .
- ✓ Do not try to alter the technical properties of the appliance, because this could be dangerous.
- ✓ The manufacturer cannot be considered responsible for damage caused by improper, incorrect or irresponsible use of the appliance.
- ✓ Before disposing of any unwanted appliances it is recommended that all potentially hazardous parts be made harmless.
- ✓ The appliance should be installed and all the electrical connections made by a qualified engineer in compliance with local regulations in force and following the manufacturer's instructions.
- ✓ During and after use of the cooktop, certain parts will become very hot. Do not touch hot parts.
- ✓ Keep children away from the cooking hob when it is in use.
- ✓ After use, ensure that the knob is in the off position.
- ✓ Some appliances are supplied with a protective film on steel and aluminium parts. This film must be removed before using the hob.
- ✓ Do not carry out cleaning or maintenance operations on the appliance without having previously disconnected it from the electric power supply.

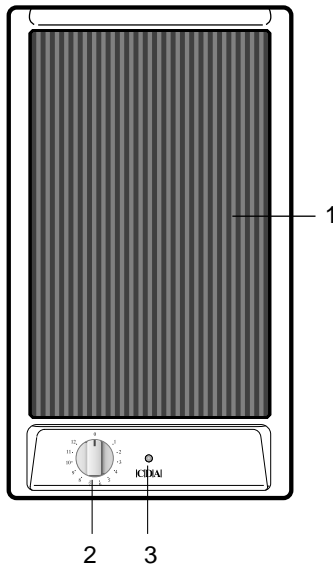
WARNINGS FOR THE USE OF ELECTRICAL APPLIANCES

When using any electrical appliance some important rules must always be followed. In particular:

- ✓ do not touch the appliance with wet or damp hands or feet
- ✓ do not use the appliance with bare feet
- ✓ this appliance should only be used by responsible adults.

Ceramic Griddle

Figure 1



FEATURES

- **Electrical insulation Class I.**

COOKING POINT

1. Hot plate - 1300 W

CONTROL PANEL DESCRIPTION

- 2. Hot plate control knob
- 3. Hot plate control lamp

Use of Ceramic Griddle

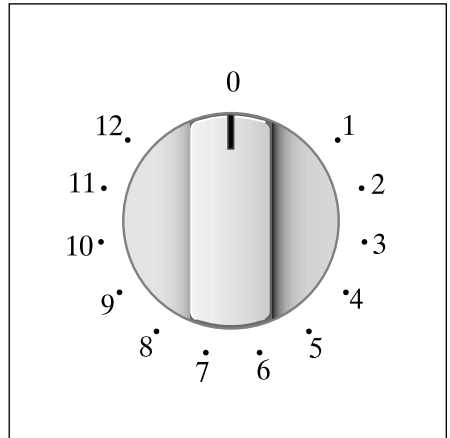
HOW TO USE THE COOKER TOP

The griddle reaches the working temperature very quickly and can grill any food, without fat and oil, directly on the radiant zone's glass-ceramic surface.

Operation of the radiant zone is controlled by a continuous 12-position power regulator.

The signal lamp lights up when the griddle is ON.

Figure 2



USING THE GRIDDLE FOR THE FIRST TIME

- ✓ Remove the adhesive film which protects some parts.
- ✓ Remove any residual glue carefully, without using abrasive substances, to avoid scratching the surfaces.
- ✓ Clean the cooking surface carefully.
- ✓ Switch the griddle on by turning the power setting knob to the maximum position (11-12) for about 15 minutes to remove residual working greases.

USE OF THE GRIDDLE

- ✓ Before cooking make sure that the radiant zone is clean.
- ✓ Switch the griddle on by turning the knob to position 12.
- ✓ Preheat until the cooking surface becomes red.
- ✓ Then turn the knob to the position required. The numbers from 1 to 12 indicate the working positions with temperature increasing as the number increases.
- ✓ Place the food on the radiant zone and check the cooking by eye.
- ✓ Turn off the griddle by turning the knob to position "0".
- ✓ As the radiant zone remains hot for some time after the hob is switched off, turn the zone off a few minutes before the end of cooking.
The residual heat will complete the cooking.
- ✓ **Do not use the griddle for more than 30 minutes.**

TIPS FOR GRILLING:

- ✓ Preheat the radiant zone sufficiently to obtain quick and uniform cooking.
- ✓ Do not pour water on the cooking surface when it is switched on or still hot.
- ✓ If cooking very fatty foods, leave the griddle switched on for a few minutes after cooking is finished, to burn off the fatty residues.

Caution!

The griddle becomes very hot during use and remains very hot even after it is switched off. Keep children well out of reach.

ADVICE FOR THE SAFE USE OF CERAMIC GRIDDLE

- ✓ Do not lean on the cooking zones when they are switched on.
- ✓ Do not put aluminium foil or plastic objects on the cooking zones when they are hot.
- ✓ Do not leave objects of any type on the surfaces made of ceramic, glass or similar fragile material.
- ✓ Remember that the cooking zone remain hot for some time after it is switched off (about 30 min.).
- ✓ Follow the cleaning instructions carefully.
- ✓ If you note a crack in the cooktop, switch the appliance off immediately and call the After-Sales Service.

Do not scratch the cooktop with cutting or sharp objects. Do not use the cooktop as a work surface.

Cleaning and Maintenance

GENERAL TIPS

- ✓ **Before you begin cleaning, you must ensure that the hob is switched off.**
- ✓ It is advisable to clean when the appliance is cold, especially when cleaning the enamelled parts.
- ✓ Avoid leaving alkaline or acidic substances (lemon juice, vinegar, etc.) on the surfaces.
- ✓ Avoid using cleaning products with a chlorine or acidic base.
- ✓ Do not use a steam cleaner because the moisture can get into the appliance and make it unsafe.

ENAMELLED PARTS

- ✓ All the enamelled parts must be cleaned with a sponge and soapy water only or other non-abrasive products.
- ✓ Dry preferably with a chamois leather.
If acid substances such as lemon juice, tomato conserve, vinegar etc. are left on the enamel for a long time they will etch it, making it opaque.

STAINLESS STEEL PARTS

- ✓ Clean with special products which are available on the market.
- ✓ Dry preferably with chamois leather.

CONTROL KNOB

- ✓ The control knob may be removed for cleaning but care should be taken not to damage the seal.

CLEANING THE CERAMIC GRIDDLE

Make sure that the cooktop is switched off before cleaning it.

- ✓ Remove any encrustation.
- ✓ Remove dust with a damp cloth.
- ✓ Detergents can be used, but they must not be abrasive or corrosive.
- ✓ Any remaining detergent must be completely removed with a damp cloth.
- ✓ Do not put any objects on the cooktop which can melt with heat, such as plastic objects, aluminium foil, sugar or sugar products.
- ✓ If any object melts on the cooktop, remove it immediately (while the cooktop is still hot) using a special scraper, to prevent any irreversible damage to the glass ceramic surface.
- ✓ Do not use knives or sharp objects which could damage the cooktop surface.
- ✓ Do not use abrasive sponges or pads which could irreversibly damage the glass ceramic surface.

CAUTION: Any abrasive substances and non-neutral detergents are absolutely not to be used as these can cause permanent damage to these elements.

Installation Instruction

TECHNICAL INFORMATION FOR THE INSTALLER

Before installing the cooktop, remove the protective film.

This cooktop can be built into a working surface 30 to 40 mm thick and 600 mm deep.

In order to install the ceramic griddle into the kitchen fixture, a hole with the dimensions shown in fig. 3 has to be made, keeping in consideration the following:

- ✓ within the fixture, between the bottom side of the ceramic griddle and the upper surface of any other appliance or internal shelf there must be a clearance of at least 30 mm;
- ✓ the ceramic griddle must be kept no less than 300 mm away from any side wall;
- ✓ the rear wall must be at least 50 mm from the ceramic griddle and must withstand a temperature of 150°C.
- ✓ there must be a distance of at least 650 mm between the hob and any wall cupboard or extractor hood positioned immediately above (see fig. 4)
- ✓ the coatings of the walls of the unit or appliances near the cooktop must be heat resistant ("X" protection against heating in compliance with standards EN 60335-2-6).
- ✓ Do not instal the appliance near inflammable materials (eg. curtains).

Figure 3

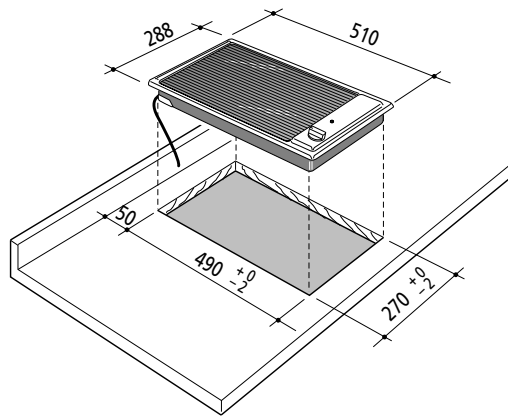
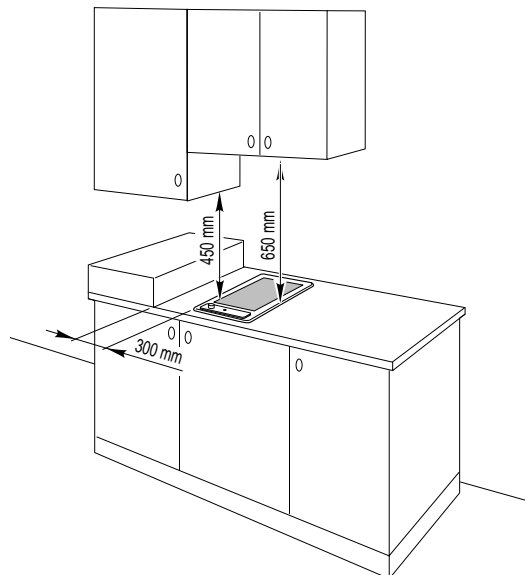


Figure 4



FASTENING THE APPLIANCE

Each ceramic griddle is supplied with a set of tabs and screws fasten it on units.

- ✓ Cut the unit (as shown in figure 3).
- ✓ Stretch gasket "D" over the edge of the hole made, being careful to overlay the junction edges.
- ✓ Turn the ceramic griddle over and put tabs "A" into the mountings, only tighten screws "B" a few turns (fig. 6).
Make sure that the tabs are mounted correctly as shown in the figures.
Turn the tabs so that the cooktop can be put into the hole.

- ✓ Put the cooktop into the hole cut into the unit and position it correctly.
- ✓ Put tabs "A"; into place, tooth "C" of the tabs should go into the hole (fig. 6).
- ✓ Tighten screws "B" until the cooktop is completely secured.
- ✓ Using a sharp tool cut off the part of gasket "D" which protrudes from the cooktop.

Figure 5

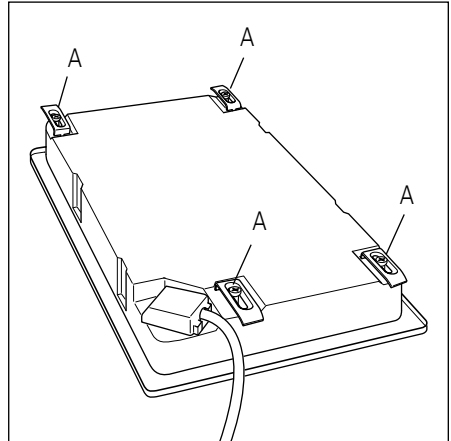
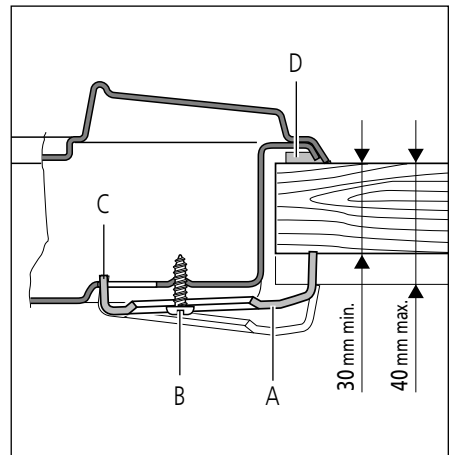


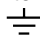
Figure 6



Electrical Section

IMPORTANT: Installation must be carried out according to the manufacturer's instructions. Incorrect installation may cause harm and damage to people, animals or property, for which the manufacturer accepts no responsibility.

DETAILS

- ✓ Connection to the electric power supply must be carried out by a qualified technician and following the appropriate safety regulations;
 - ✓ Before carrying out the connection to the power supply, the voltage rating of the appliance (stamped on the appliance identification plate) must be checked for correspondence to the available mains supply voltage, and the mains electric wiring should be capable of handling the appliance's power rating (also indicated on the identification plate);
 - ✓ If the hob is supplied without plug, fit a standard plug which is suitable for the power absorbed by the appliance and in conformity with the local rules in force.
 - ✓ The plug must be put into a socket connected to the earth system in compliance with safety rules.
 - ✓ This appliance can be connected directly to the mains, using fixed wiring via a DOUBLE POLE SWITCHED FUSED SPUR OUTLET (13 amps. fuse).
 - ✓ As the colours of the wires in the mains lead for the appliance, may not correspond with the coloured markings identifying the terminals in your spur box, proceed as follows:
 - 1) The wire which is coloured green and yellow must be connected to the terminal marked **E** (Earth) or  coloured Green.
 - 2) The wire which is coloured blue must be connected to the terminal marked **N** (Neutral), or coloured Black.
 - 3) The wire which is coloured brown must be connected to the terminal marked **L** (Live), or coloured Red.
- ✓ The power supply cord must not touch against any hot surfaces and must be placed so that its temperature does not exceed 75°C at any point along its length.
 - ✓ After having installed the appliance, the power switch or power plug must always be in a accessible position.

N.B. For connections to the mains power supply, never use adaptors, reductions or multiple power points as these may overheat and catch fire.

In the event that installation should require modifications to the mains supply wiring system, it is recommended that a qualified technician be called to carry out substitution.

The technician will also have to verify that the cross-section of the electric cables on the power point match the appliance's power rating.

If the hob surface is cracked disconnect the appliance from the mains.

Before carrying out any work on the electrical section of the appliance, it must be disconnected from the mains.

REPAIRS

Replacing the supply cable

Turn the cooktop over and unhook the terminal board cover by inserting a screwdriver into the two hooks "A".

Open the cable gland by unscrewing screw "F", unscrew the terminal screws and remove the cable.

The new supply cable, of suitable type and section, is connected to the terminal board following the diagrams shown below.

SECTION OF THE SUPPLY CABLE

Use H05RR-F cables

230 V ~ 50/60 Hz

section: 3 x 1 mm²

or

3 x 1,5 mm²

Connection to a good earth wiring system is absolutely essential.

The manufacturer accepts no responsibility for any inconvenience caused by failure to comply with this rule.

Figure 7

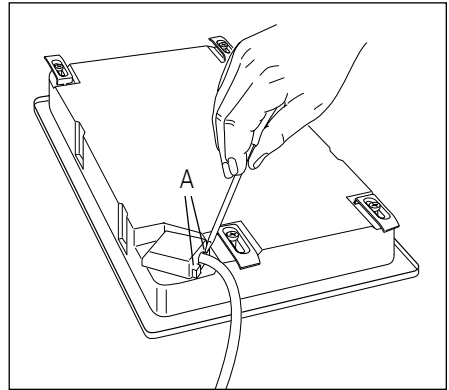


Figure 8

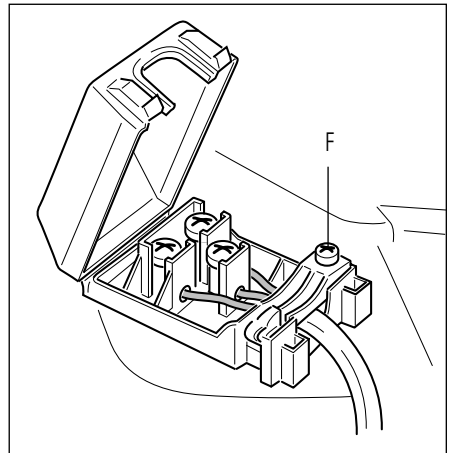
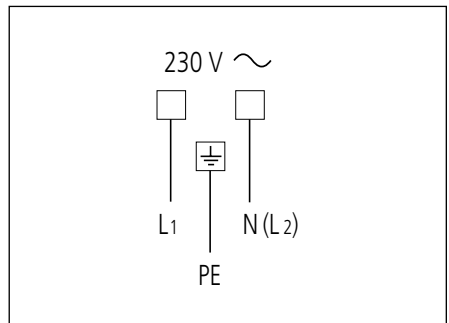


Figure 9



Rif. 1565

Ceramic Griddle

|C|D|A|

Cod. 1101896

B4

Free Manuals Download Website

<http://myh66.com>

<http://usermanuals.us>

<http://www.somanuals.com>

<http://www.4manuals.cc>

<http://www.manual-lib.com>

<http://www.404manual.com>

<http://www.luxmanual.com>

<http://aubethermostatmanual.com>

Golf course search by state

<http://golfingnear.com>

Email search by domain

<http://emailbydomain.com>

Auto manuals search

<http://auto.somanuals.com>

TV manuals search

<http://tv.somanuals.com>