



# Electric Powered Pressure Washers

Operating Instructions and Parts Manual

**CP5211**  
**CP5216**  
**CP5321**



FRANÇAISE: Page Fr1  
ESPAÑOL: Página Sp1

IN469800AV 6/09  
2009 Campbell Hausfeld/Scott Fetzer



**MAKES IT EASY TO DO IT LIKE A PRO**

[chpower.com](http://chpower.com)

Download from [www.Somanuals.com](http://www.Somanuals.com). All Manuals Search And Download.

## Table of Contents

---

<b>Description</b> .....	3	Initial High Pressure Rinse.....	12
<b>Safety Guidelines</b> .....	4	Adjusting the Spray Fan Angle.....	12
<b>Safety Symbols</b> .....	4	Angle to the Cleaning Surface .....	12
<b>Important Safety Information</b> .....	4	Distance From Cleaning Surface ..	12
Instructions Pertaining to a Risk of Fire, Electric Shock, or Injury to Persons ...	4	How to Avoid Damaging Surfaces..	12
California Proposition 65 .....	4	Detergent Application.....	12
General .....	4	Detergents .....	12
Work Area.....	4	General Cleaning Tips .....	13
Personal Safety .....	4	Cleaning Power.....	13
Electrical Safety.....	5	Final Rinse .....	13
Grounding Instructions.....	5	Pressure Relief Procedure .....	13
Tool Use and Care .....	5	Shutdown.....	13
<b>Frequently Asked Questions</b> .....	6	Storage .....	13
Service.....	6	Winterizing Instructions .....	13
<b>Unpacking</b> .....	7	Tips For Extending The Life Of Your Pressure Washer .....	14
Contents in the Carton .....	7	Maintenance Schedule.....	14
Additional Items Not Included .....	7	Technical and Consumer Information .....	14
<b>Glossary</b> .....	8	<b>Troubleshooting Guide</b> .....	16
<b>Getting To Know Your Pressure Washer</b>	9	<b>Replacement Parts List</b> .....	19
<b>Unpacking</b> .....	9	<b>Warranty</b> .....	20
Recommended Uses for this Pressure Washer .....	9		
<b>Assembly and Preoperation</b> .....	10		
Assembly and Preoperation.....	10		
<b>Operation</b> .....	11		
Surface Preparation .....	11		
Start Up.....	11		
Trigger Safety Latch.....	11		

---

### For parts, product and service information

**Visit:** [www.chpower.com](http://www.chpower.com)

**Call:** Customer Service at 1-800-330-0712

**Address any correspondence to:** Campbell Hausfeld  
Attn: Customer Service  
100 Production Drive  
Harrison, OH 45030 U.S.A.



# Electric Powered Pressure Washers

## Description

These powerful and durable electric pressure washers are designed for industrial projects in maintenance shops, farms, stables, commercial kitchens, screen printing businesses, on heavy equipment, and more. They are ETL approved which meet UL and CSA standards.

The heavy-duty, induction motor operates quietly, efficiently and without fuel emissions. It is covered with a powder coated, steel hood to protect and prolong the life of the unit, and provides tip storage. The commercial grade pump has ceramic pistons which provide a long pump life. The pump and motor are mounted to a rugged, powder coated steel framed cart. The cart features pneumatic wheels and a fold-down handle for compact storage. The gun/lance, high pressure hose and power cord all store neatly on the cart.



Figure 1 - Model CP5211, CP5216 and CP5321

## Specifications

### Model CP5211

2HP CAT 2DX

115 Volt

#2.0 Tip

**Pressure:** 2000 psi / 13,790 kPa

**Flow:** 1.5 GPM

### Model CP5216

2HP AR XJV

115 Volt

#2.0 Tip

**Pressure:** 1900 psi / 13,100 kPa

**Flow:** 1.5 GPM

### Model CP5321

5HP CAT 3DNX

230 Volt

#3.0 Tip

**Pressure:** 2900 psi / 19,995 kPa

**Flow:** 2.5 GPM

Please record Model Number and Serial Number for use when contacting the manufacturer:

Model No.: \_\_\_\_\_

Serial No.: \_\_\_\_\_

Purchase Date: \_\_\_\_\_

Purchase Place: \_\_\_\_\_

For information about this product, call 1-800-330-0712.

### Safety Guidelines

This manual contains information that is very important to know and understand. This information is provided for SAFETY and to PREVENT EQUIPMENT PROBLEMS. To help recognize this information, observe the following symbols.

**⚠ DANGER** Danger indicates an imminently hazardous situation which, if not avoided, WILL result in death or serious injury.

**⚠ WARNING** Warning indicates a potentially hazardous situation which, if not avoided, COULD result in death or serious injury.

**⚠ CAUTION** Caution indicates a potentially hazardous situation which, if not avoided, MAY result in minor or moderate injury.

**NOTICE** Notice indicates important information, that if not followed, may cause damage to equipment.

**IMPORTANT:** Information that requires special attention.

### Safety Symbols

The following Safety Symbols appear throughout this manual to alert you to important safety hazards and precautions.



Read Manual First



Risk of Explosion



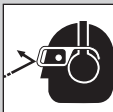
Risk of Fire



Risk of Falling



Risk of Personal Injury



Wear Eye and Hearing Protection



Risk of Electrocution

### Important Safety Information

#### INSTRUCTIONS PERTAINING TO A RISK OF FIRE, ELECTRIC SHOCK, OR INJURY TO PERSONS

This manual contains important safety, operational and maintenance information. If you have any questions, please call 1-800-330-0712 for customer assistance.

**⚠ WARNING** When using tools, basic precautions should always be followed, including the following:

#### CALIFORNIA PROPOSITION 65

**⚠ WARNING** This product or its power cord may contain chemicals known to the State of California to cause cancer and birth defects or other reproductive harm. Wash hands after handling.

#### GENERAL

- To reduce the risks of electric shock, fire, and injury to persons, read all the instructions before using the tool. Failure to follow warnings, dangers, and cautions could result in DEATH or SERIOUS INJURY.
- Be thoroughly familiar with the controls and the proper use of the equipment. Follow all instructions. Contact your Campbell Hausfeld representative if you have any questions.
- Only persons well acquainted with these rules of safe operation should be allowed to use the unit.
- Follow all safety codes as well as the Occupational Safety and Health Act (OSHA).



#### WORK AREA

- Keep operation area clear of all persons.
- To reduce the risk of injury, close supervision is necessary when the product is used near children.
- Do not operate the tool in explosive atmospheres, such as in the presence of flammable liquids, gases, or dust. The tool is able to create sparks resulting in the ignition of the dust or fumes.
- NEVER spray flammable liquids or use pressure washer in areas containing combustible dust, liquids, or vapors.
- Never operate this machine in a closed building or in or near an explosive environment.



#### PERSONAL SAFETY

- Stay alert. Watch what you are doing and use common sense when operating the tool. Do not use the tool while tired or under the influence of drugs, alcohol, or medication. A moment of inattention while operating the tool increases the risk of injury to persons.
- Dress properly. Do not wear loose clothing or jewelry. Contain long hair. Keep hair, clothing, and gloves away from moving parts. Loose clothes, jewelry, or long hair increases the risk of injury to persons as a result of being caught in moving parts.
- Do not overreach. Keep proper footing and balance at all times. Proper footing and balance enables better control of the tool in unexpected situations.



**⚠ WARNING** Risk of injection or severe injury. Keep clear of nozzle. Do not discharge streams at persons. This product is to be used only by trained operators. Always remove lance from gun before cleaning debris from tip.



## Important Safety Information (Continued)

- d. Keep clear of nozzle. NEVER direct high pressure spray at a person, animal, or yourself.
- e. NEVER put hand or fingers over the spray tip while operating the unit.
- f. NEVER try to stop or deflect leaks with any body part.

**▲ WARNING** *Ensuring that the tool is used only when the operator and all other personnel in the work area are wearing ANSI Z87 eye protection equipment, and when required, other appropriate protection equipment such as head, hearing protection, gloves, rubber boots, protective clothing when operating and performing maintenance. Serious eye or permanent hearing loss could result.*



### ELECTRICAL SAFETY

#### Grounding Instructions

This product must be grounded. If it should malfunction or breakdown, grounding provides a path of least resistance for electric current, reducing the risk of electric shock. This product is equipped with a cord having an equipment-grounding conductor and a grounding plug. The plug must be plugged into an appropriate outlet that is properly installed and grounded in accordance with all local codes and ordinances.

**▲ DANGER** *Improper connection of equipment-grounding conductor can result in a risk of electrocution. Check with a qualified electrician or service personnel if you are in doubt as to whether the outlet is properly grounded. Do not modify the plug provided with the product - it will not fit the outlet, have a proper outlet installed by a qualified electrician. Do not use any type of adaptor with this product.*



**▲ WARNING** *Risk of electrocution:*

- a. This product is provided with a ground fault circuit interrupter, GFCI, built into the power cord plug. Be sure to inspect cord and GFCI prior to use. Any repair or replacement of the power cord must be performed by a qualified (licensed or certified) electrical technician. If replacement of the plug or cord is needed, use only identical replacement parts.
- b. NEVER use an extension cord with this product.
- c. Connect only to properly grounded outlet. Do not remove ground pin.
- d. Inspect cord before using - Do not use if cord is damaged.
- e. Keep all electrical connections dry and off the ground.
- f. Do not touch plug with wet hands.
- g. Do not spray electrical apparatus and wiring.

#### TOOL USE AND CARE

**▲ WARNING** *Do not use pressure that exceeds the operating pressure of any of the parts (hoses, fittings, etc.)*

*in the pressurized system. Ensure all equipment and accessories are rated to withstand the maximum working pressure of the unit.*

- a. Maintain the tool with care. A properly maintained tool reduces the risk of problems and is easier to control.
- b. Ensure safety devices are operating properly before each use. DO NOT remove or modify any part of the gun or unit.
- c. NEVER operate the machine without all components properly connected to the machine (handle, gun/wand assembly, nozzle, etc.).
- d. Point gun in safe direction. Unit will start spraying when trigger is squeezed if “On/Off” switch is in “ON” position.
- e. Know how to stop this product and bleed pressure quickly. Be thoroughly familiar with the controls.
- f. ALWAYS engage the trigger safety latch in the safe position when spraying is stopped even if only for a few moments.
- g. NEVER permanently engage the trigger mechanism on the gun.
- h. ALWAYS follow detergent manufacturer’s label recommendations for proper use of detergents. Always protect eyes, skin, and respiratory system from detergent use.
- i. NEVER disconnect the high pressure discharge hose from the machine while the system is pressurized. To depressurize machine, turn power and water supply off, then press the gun trigger 2-3 times.
- j. Unplug unit when not in use.
- k. Follow the maintenance instructions specified in the manual.

**NOTICE** *Equipment damage:*

- l. ALWAYS turn water supply “ON” before turning pressure washer “ON.” **Running pump dry causes serious damage.**
- m. Do not operate the pressure washer with the inlet water screen removed. Keep screen clear of debris and sediment.
- n. NEVER operate pressure washer with broken or missing parts. Check equipment regularly and repair or replace worn or damaged parts immediately.
- o. Use only the nozzles supplied with this machine.
- p. NEVER leave the wand unattended while the machine is running.
- q. ALWAYS hold gun and wand firmly when starting and operating the machine.
- r. NEVER allow the unit to run with the trigger released (off) for more than one minute. Resulting heat buildup will damage the pump.
- s. Release the trigger when changing from high to low pressure modes. Failure to do so could result in damage to the nozzle.



- t. NEVER store the pressure washer outdoors or where it could freeze. Freezing temperatures can seriously damage the pump.

## SERVICE

- a. **When servicing a tool, use only identical replacement parts. Use only authorized parts.**

### SAVE THESE INSTRUCTIONS – DO NOT DISCARD

*NOTE: The DANGER, WARNING, CAUTION, and NOTICE notifications and instructions in this manual cannot cover all possible conditions and situations that may occur. It must be understood by the operator that common sense and caution are factors which cannot be built into this product, but must be supplied by the operator.*

## Frequently Asked Questions

### Why don't I have any water pressure?

- Is the water hose attached to the pressure washer?
- Is the water turned on?
- Check for any kinks, leaks, or blockage in the hoses, fittings, or the nozzle.
- Is the quick connect tip in place? (See Page 10).
- Is the inlet filter screen free of debris? Check and remove debris if needed.

### How do I get high pressure?

- Use any color tip except black. The black tip is only used for low pressure detergent application.

### How do I get the soap suction to work?

1. Connect the clear plastic chemical suction tube to the plastic hose barb on pump, insert the other end into your detergent.
2. Install the black spray tip to apply low pressure detergent.

### Why doesn't the pressure washer apply detergents with high pressure?

Detergents “bounce” off cleaning surfaces as fast as they are applied. The pressure washer's features allow for a detergent to be drawn while in low pressure mode only. By applying detergent at low pressure, the effect of “bouncing” is reduced. Also, detergents are only effective when time is allowed for them to work on the surface of whatever is being cleaned. After applying the detergent, wait 1-3 minutes while it works, and then proceed to rinse the surface with high pressure.

### What maintenance do I need to perform on my pressure washer?

1. After turning off the pressure washer and the water, depressurize the hose by triggering the gun.
2. Remove the garden hose and high pressure hose from the pump.
3. Turn the motor on for 5 seconds to purge water from the pump. This will help protect the pump from damage.
4. Do not store your pressure washer in an area where the temperature will drop below 32° F.
5. Follow proper storage and winterizing instructions found on pages 13 and 14.

### What do I do if I'm missing a part?

Call Campbell Hausfeld at 1-800-330-0712 and we will promptly replace your missing parts. Do not return the pressure washer to the retailer!

### Where can I buy accessories for my pressure washer?

- If you can't find accessories at the store where you purchased your pressure washer, call Campbell Hausfeld 1-800-330-0712 or visit our website at [www.chpower.com](http://www.chpower.com).

### Who do I call if I have questions or problems?

Call Campbell Hausfeld 1-800-330-0712 (U.S.A.)

Unpacking

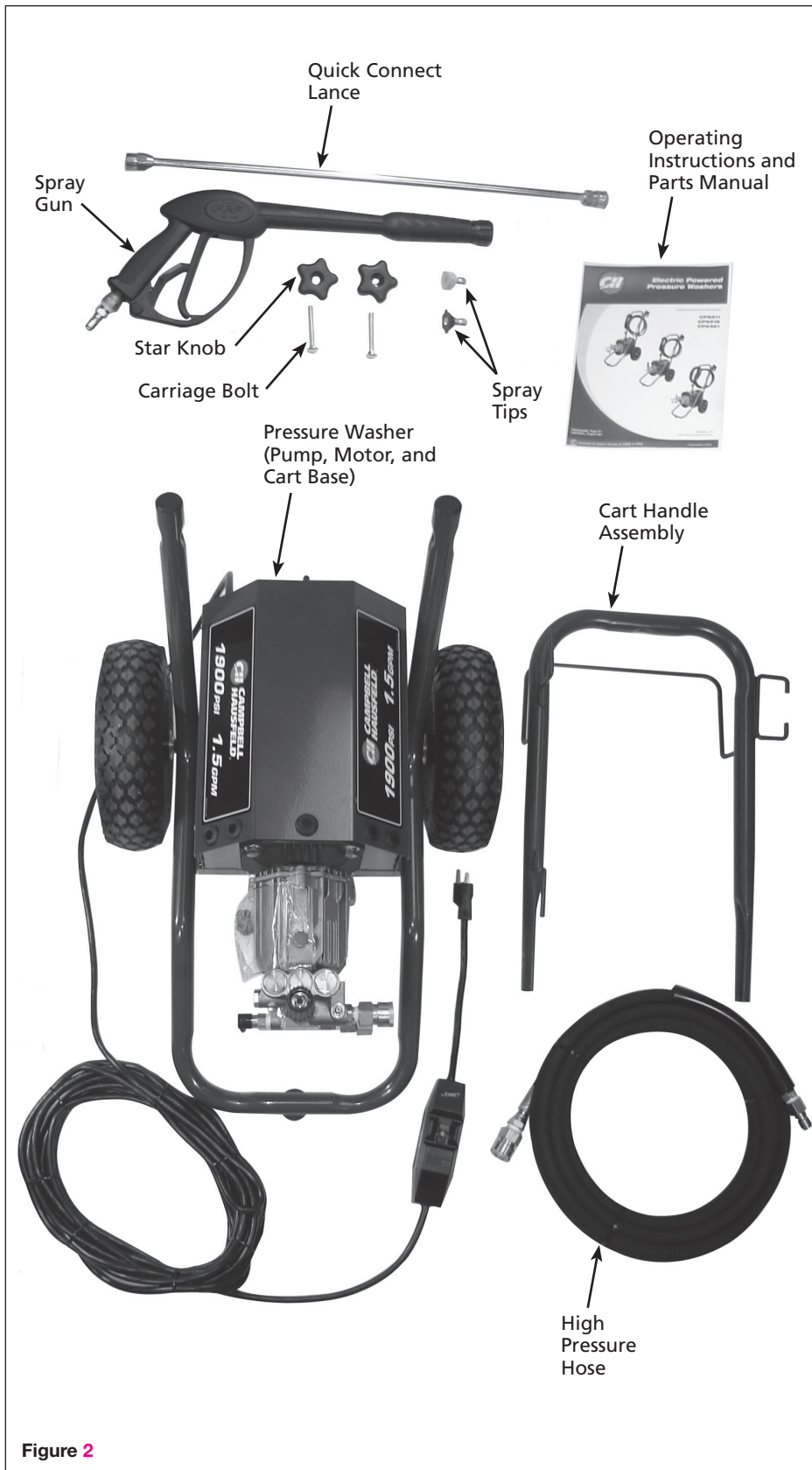


Figure 2

CONTENTS IN THE CARTON

- ◆ One pressure washer (pump, motor, and cart base)
- ◆ One cart handle assembly
- ◆ One spray gun and quick connect lance
- ◆ Two spray tips for Model CP5216  
Five spray tips for Models CP5211 and CP5321
- ◆ One high pressure hose
- ◆ One pack of nuts, bolts, and manuals

ADDITIONAL ITEMS NOT INCLUDED

- ◆ ANSI Z87 Eye Protection
- ◆ Garden Hose

After unpacking the unit, inspect carefully for any damage that may have occurred during transit. Check for loose, missing or damaged parts. Make sure to tighten fittings, bolts, etc., before using the pressure washer. Check to be sure all supplied accessories are enclosed with the unit. If any parts are missing, **DO NOT RETURN THE UNIT TO THE RETAILER.** Know the unit's model number (located on the serial number tag on the pressure washer frame) and call 1-800-330-0712 for replacement parts.

**▲ WARNING** *Do not operate the unit if it's damaged during shipping, handling, or use. Damage could result in bursting and cause injury or property damage.*

**Read & Follow All Instructions  
Save These Instructions  
Do Not Discard**

## Glossary

Become familiar with these terms before operating the unit.

**CAVITATION** - The shock of thousands of bubbles collapsing inside the pump quickly, pitting metal surfaces and seals. Cavitation is caused by lack of water at the inlet of the pump.

**CHEMICAL INJECTOR** - A chemical injector allows the chemical or soap to be injected into the water stream, making cleaning faster and easier than water alone.

**DETERGENT INJECTION SYSTEM** - Cleaning detergents are drawn into the water stream making cleaning more effective by allowing detergents to saturate the soiled surface.

**GPM (GALLONS PER MINUTE)** - More water per minute can mean faster cleaning, especially when washing off materials like mud and road tar.

**GFCI (GROUND FAULT CURRENT INTERRUPTER)** - GFCI protects user from accidental electrocution (for electric powered pressure washers only).

**HIGH PRESSURE OUTLET** - A connection for high pressure hose.

**HP (HORSEPOWER)** - A unit of measure for work.

**NOZZLE (QUICK CONNECT SPRAY TIPS)** - The nozzle is the restriction at the end of the wand that creates the pressure. Nozzles have different spray patterns that can affect the width and strength of the spray. The 40-degree (white) nozzle delivers a flat spray of about 40-degrees. There's also a 25-degree (green) and the most popular 15-degree (yellow) nozzles. The 0-degree (red) nozzle should be used with caution, it can cut into wood and cause damage.

**PSI (POUNDS PER SQUARE INCH)** - A unit of measure for pressure. It determines how much pressure is directly applied on the surface being cleaned. The pressure that is delivered by the pressure washer is directly responsible for breaking the bond between the debris and the surface being cleaned.

**THERMAL RELIEF** - A technique used to reduce the build-up of high temperature water within a pressure washer pump caused when the spray gun trigger is closed. This system prevents internal pump damage by cycling water through pump when water reaches maximum water temperature. Warm water will discharge from pump onto ground.

**UNLOADER** - A device used to relieve the water pressure within the pump whenever the spray flow is blocked. It allows the motor to continue running when the operator releases the trigger on the spray gun and stops washing. It diverts the pressure, that would build up without the unloader, by taking the water from the exit side of the pump and loops it back to the inlet side in a continuous "bypass" mode. The unloader will return the flow of water to the spray gun when the operator presses the trigger.

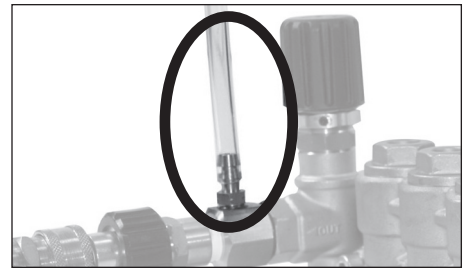


Figure 3 - Chemical Injector

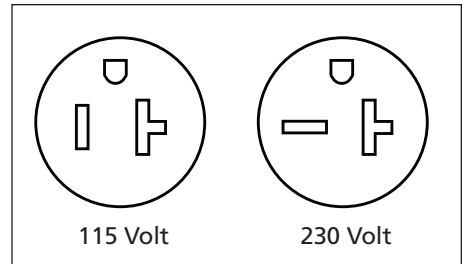


Figure 4 - GFCI Outlet

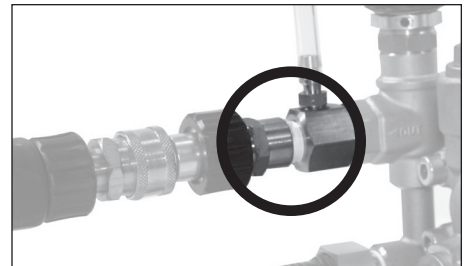


Figure 5 - High Pressure Outlet



Figure 6 - Nozzle or Quick Connect Spray Tips

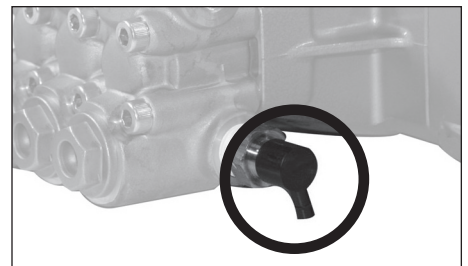


Figure 7 - Thermal Relief Valve



Getting To Know Your Pressure Washer

RECOMMENDED USES FOR THIS PRESSURE WASHER

- ◆ Deck
- ◆ Siding
- ◆ Vehicles

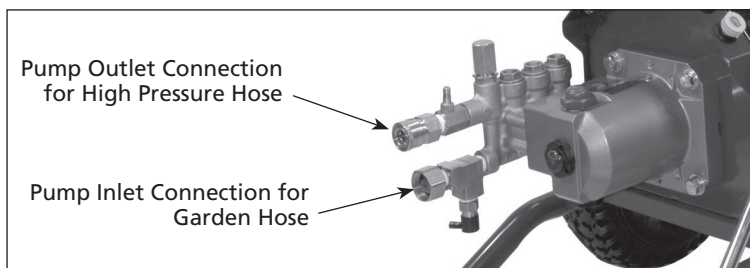
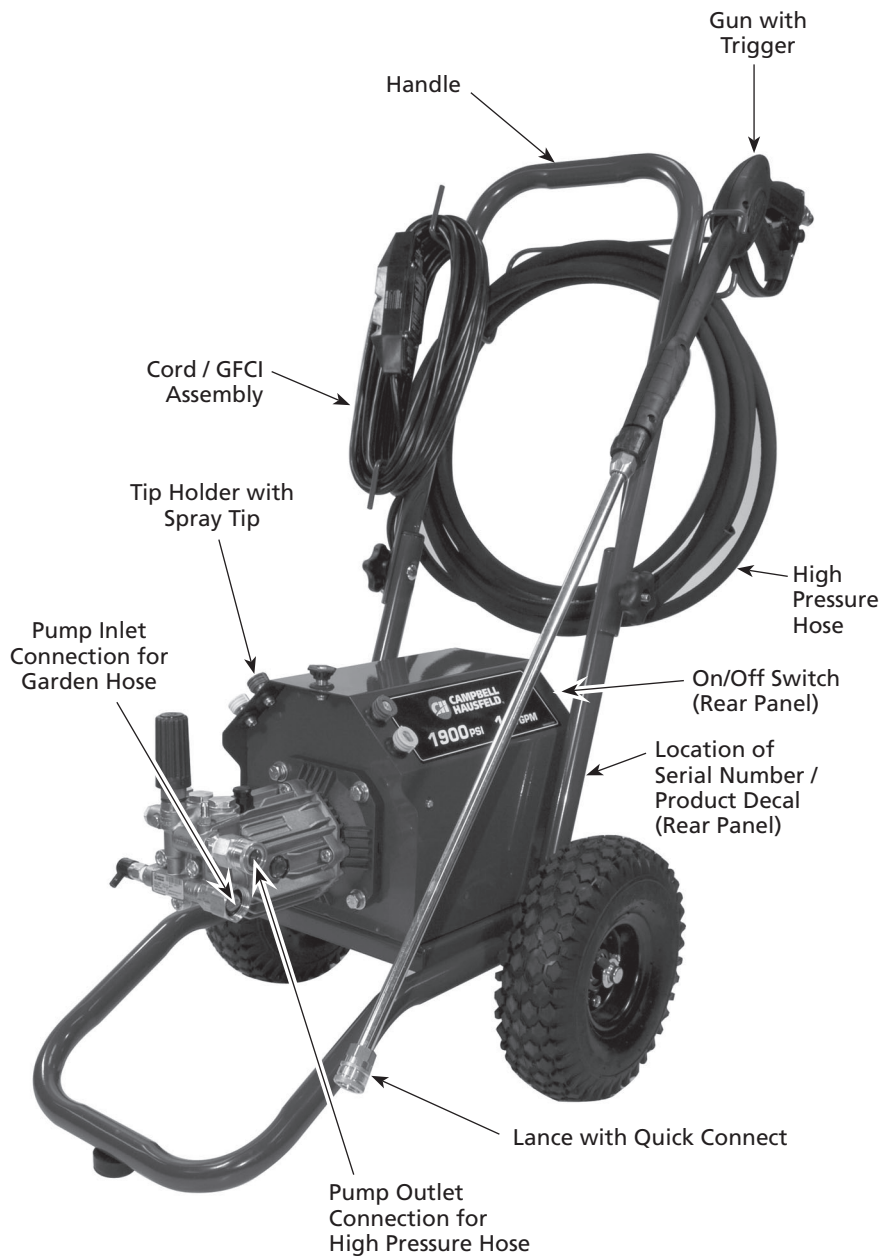


Figure 8 - Components of the Pressure Washer

## Assembly and Preoperation

### ASSEMBLY AND PREOPERATION

1. Slide the handle assembly over the lower legs of the cart base. Use the (supplied) star knob and bolts to secure the handle to the legs (See Figure 9).
2. Slide clear plastic detergent hose onto brass hose barb (See Figure 10).
3. Insert quick connect spray tips into rubber holders on front of the placard. (See Figure 11).
4. Secure garden hose (not included) to the inlet connection on pump (See Figure 12).
5. Connect the high pressure hose to the pump outlet (See Figure 13).
6. Attach the lance to the gun (See Figure 14).
7. Install quick connect tip (See Figure 15).

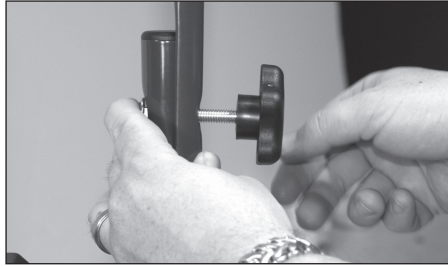


Figure 9 - Assemble handle

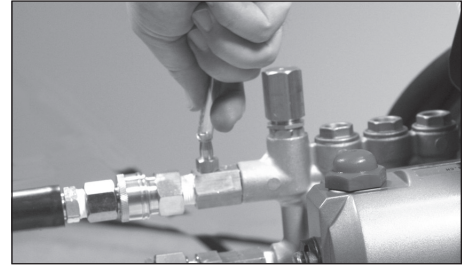


Figure 10 - Attach suction tube to barb fitting

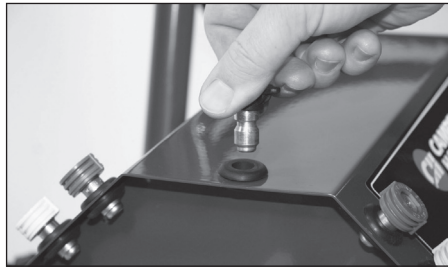


Figure 11 - Insert spray tips into the holder

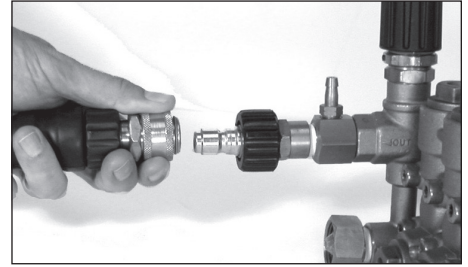


Figure 13 - Connect high pressure hose to pump

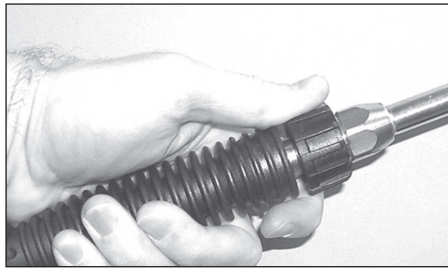


Figure 14 - Attach lance to gun

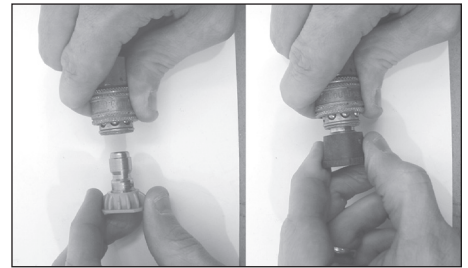


Figure 15 - Quick connect tip

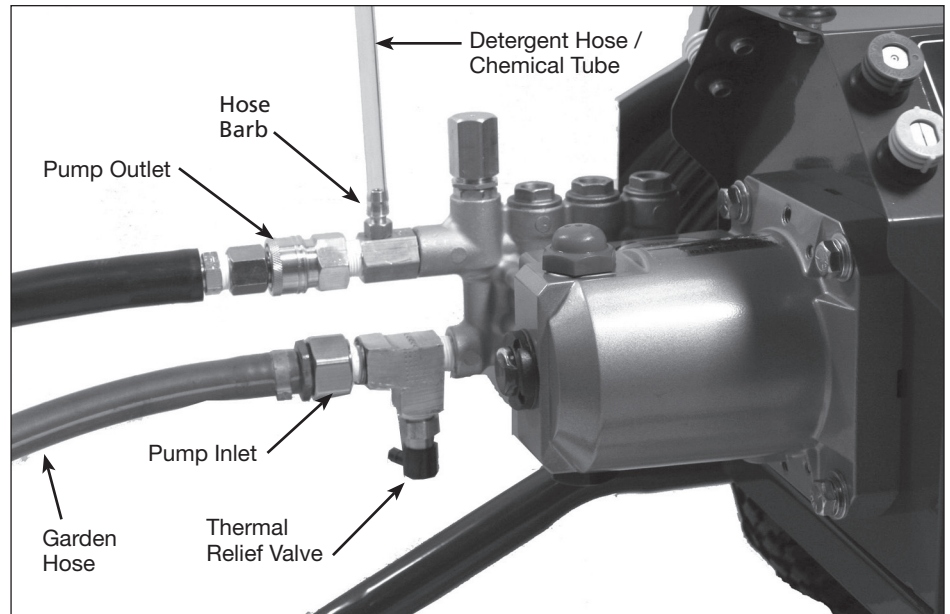


Figure 12 - Pump hook up

## Assembly and Preoperation (Continued)

### TRIGGER SAFETY LATCH

In the engaged position, the trigger safety latch prevents the gun from being triggered accidentally. Push the latch fully up to engage it (See Figure 16 and 17).

Always engage the trigger safety latch when the unit is not in use.



Figure 16 - Trigger locked



Figure 17 - Trigger unlocked

## Operation

### SURFACE PREPARATION

The following cleaning procedure will help you organize your cleaning task and ensures that you will achieve the best results in the shortest amount of time. Remember to use the spraying / cleaning techniques mentioned in the following section.

Before starting a pressure washer cleaning job, prepare the surface you intend to clean. Clear furniture from the area and make sure that all windows and doors are closed tightly. Also, protect all plants and trees near the cleaning area with a drop cloth. A covering ensures that your plants won't be sprayed by the detergents.

### START UP

ALWAYS use this start up procedure to ensure that the unit is started safely and properly.

#### NOTICE

*If water has frozen in the pressure washer, thaw the pressure washer in a warm room before starting. DO NOT pour hot water on or into the pump; internal parts will be damaged.*

1. Ensure that the power switch is in the "OFF" position.
2. Attach a garden hose to the inlet side of the pump and connect it to the water supply. Use a hose with an internal diameter (I.D.) of 5/8 in. (1.58 cm) and a length of 50 ft. (15 m) or less.

#### WARNING

*Some local plumbing codes require backflow prevention when connecting to a fresh water supply. Install a backflow preventer upstream from the pump if necessary.*

- a. If inlet water pressure is over 100 psi, install a regulating water valve at the garden hose connection.
- b. Do not exceed 100° F (38° C) inlet water temperature.

**NOTE:** The inlet water supply must have a minimum flow rate of 5 gpm (19 lpm).

3. Turn the water supply ON.

#### NOTICE

*Never run the unit dry. Be sure the water supply is completely turned on before operating the unit.*

4. Trigger the gun until water sprays from the tip indicating that all air is purged from the system. Set the trigger safety latch.
5. Plug the power cord into a grounded 120V outlet, that is on a dedicated circuit. Press the reset button on the GFCI plug adapter. This must be done each time the unit is plugged into an outlet.

## Operation (Continued)

### INITIAL HIGH PRESSURE RINSE

Spray the cleaning surface with water to clear off any dirt or grime that may have collected on the surface. Doing so allows the detergent to attack the deep down dirt that has worked its way into the cleaning surface.

Trigger the gun 3 to 5 times to get any trapped air out of the system.

### Adjusting the Spray Fan Angle

Two quick connect tips for Model CP5216 or five quick connect tips for Models CP5211 and CP5321 are included with this pressure washer. The tips have a range of spray fan angles, ranging from 0°, narrow high impact, to a 65° wide fan spray.

Pressure can also be adjusted by moving closer or further away from the cleaning surface and by adjusting the spray fan angle as shown.

### Angle to the Cleaning Surface

When spraying water against a surface, you can generate maximum impact by striking the surface head on. However, this type of impact can cause dirt particles to embed in the surface and can prevent the desired cleaning action.

The optimum angle for spraying water against a cleaning surface is 45 degrees.

Spray water against a surface at a 45 degree angle to achieve the most beneficial impact force and to efficiently remove debris.

### Distance From Cleaning Surface

The distance between the spray tip and the cleaning surface is another factor that affects the impact force of the water. The impact force of the water increases as the tip is moved closer to the surface.

### How to Avoid Damaging Surfaces

Damage to cleaning surfaces occurs because the impact force of the water exceeds the durability of the surface. You can vary the impact force by controlling the spray tip angle to the cleaning surface and the distance from the cleaning surface and by changing the spray tip. NEVER use a narrow high impact stream on a surface that is susceptible to damage. Avoid spraying windows with a narrow high impact stream. Doing so may break the window. The most sure way to avoid damaging surfaces is to follow these steps:

1. Before triggering the gun, make sure the quick connect tip you are using is appropriate for the application.
2. Place the spray tip approximately 4-5 feet (1,22-1,52 m) away from the cleaning surface. Then hold the lance and spray tip at a 45 degree angle to the cleaning surface. Trigger the gun.
3. Vary the fan pattern spray angle and the distance to the cleaning surface until optimum cleaning efficiency is achieved without damaging the surface.

### DETERGENT APPLICATION

**NOTE:** Use only detergents formulated for pressure washers. Test detergent in an inconspicuous area before use.

### Detergents

The use of detergents can dramatically reduce cleaning time and assist in the removal of difficult stains. Many detergents are customized for pressure washer use on specific cleaning tasks. Pressure washer detergents are as thick as water. Using thicker detergents – like dish soap – will clog the chemical injection system and prevent the application of the detergent.

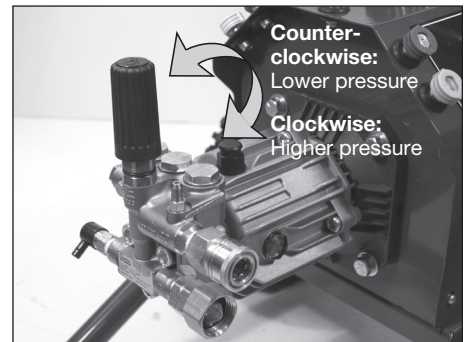


Figure 18 - Pressure adjustment for Model CP5216

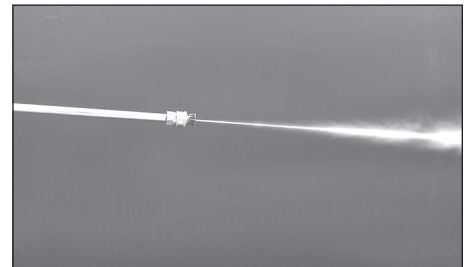


Figure 19 - Narrow high impact stream

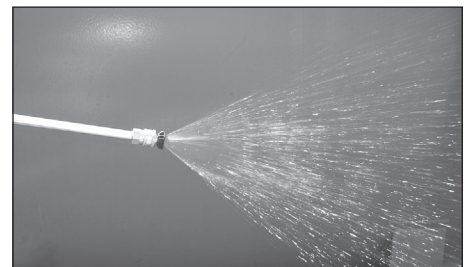


Figure 20 - Wide fan pattern



Figure 21 - Optimum angle to cleaning surface



## Operation (Continued)

Once applied to a cleaning surface, detergents take time to break down dirt and grime. Detergents work best when applied at low pressure.

You can effectively clean surfaces by combining the chemical action of detergents with high pressure rinses. On vertical surfaces, apply the detergent starting at the bottom and work your way upward. This method prevents the detergent from sliding down and causing streaks. Begin high pressure rinsing at the bottom and work your way upward. On particularly tough stains, use a brush in combination with detergents and high pressure rinsing.

1. Follow manufacturer's label directions for mixing correct concentrations of soap/detergents. The soap detergent to water ration through the pump is approximately 10% (1 to 10).
2. Insert the filter end of the clear plastic detergent tube into the detergent container.
3. Use the black 65° quick connect spray tip.
4. Adjust the detergent injection flow by turning the collar of the injector. Turning collar clockwise increases detergent flow.

### General Cleaning Tips

1. Apply the detergent so that it thoroughly covers the cleaning surface. Apply the detergent from bottom to top to prevent the detergent from sliding down and streaking. Wait a couple of minutes for the detergent to break down the dirt and grime. Use a brush to lightly scrub heavily soiled areas. Never allow the detergent to dry on the cleaning surface.
2. To rinse: replace black 65° spray tip with another color tip.

**▲ WARNING** *Never replace quick connect tip when gun is triggered. Always engage trigger lock on gun before removing or installing quick connect tips.*

3. After using detergents, flush the suction system by placing the detergent suction tube into a bucket of clean water and spraying with the black spray tip.

### CLEANING POWER

The easiest way to regulate the cleaning power of your pressure washer is by changing the distance from the surface you are cleaning. Begin spraying with a wide fan pattern while standing several feet from the surface. Slowly move closer to the object you are cleaning, adjusting the spray pattern as necessary, until you find the most effective cleaning technique.

**NOTE:** The unit may have also a pressure adjustment knob on the pump that can adjust the pressure.

### FINAL RINSE

The final rinse should start at the bottom and work upward. Make sure that you thoroughly rinse the surface and that you remove all detergent.

### PRESSURE RELIEF PROCEDURE

To reduce the risk of bodily injury or property damage, always follow this procedure whenever spraying is stopped, when work is completed, and before checking or repairing any part of the system.

1. Engage the trigger safety latch.
2. Turn the unit off.
3. Shut off the water supply.
4. Disengage the trigger safety latch and trigger the gun to relieve pressure.
5. Re-engage the trigger safety latch.
6. When checking or repairing unit, remove the wall outlet plug from the wall.
7. Before overnight storage, long term storage, or transporting unit, disconnect the water supply.

### SHUTDOWN

1. Be sure all detergent is flushed from system.
2. Turn the motor OFF.
3. Turn the water supply OFF.
4. After the motor and water supply are turned off, trigger the gun to depressurize the system.

#### NOTICE

*NEVER turn the water supply off before turning the engine/motor off. Serious damage could occur to the pump and/or engine/motor.*

#### ▲ CAUTION

*NEVER disconnect the high pressure discharge hose from the machine while the system is pressurized. To depressurize, turn engine/motor off, turn water supply off and squeeze gun trigger 2-3 times.*

5. After each use, wipe all surfaces of the pressure washer with a clean, damp cloth.

### STORAGE

- Do not store the pressure washer outdoors.
- Do not store the pressure washer where it might freeze unless it has been properly winterized.

### Winterizing Instructions

1. Disconnect the high pressure hose from the pump.
2. Insert a 12 inch to 14 inch piece of garden hose into the pump inlet.
3. Place a funnel in the other end of the garden hose.

#### NOTICE

*Read the manufacturer's instructions for safe handling and disposal of RV antifreeze.*

4. Pour approximately 6 oz. of RV antifreeze into the funnel.
5. Jog the On/Off Switch briefly until the RV antifreeze comes out of the pump outlet.



## Operation (Continued)

6. Disconnect the high pressure hose from the gun and drain the hose. Hold the gun and lance in a vertical position and squeeze the trigger to drain the water out.

### TIPS FOR EXTENDING THE LIFE OF YOUR PRESSURE WASHER

1. Never operate the unit without water.
2. Your pressure washer is not meant to pump hot water. Never connect your pressure washer to a hot water supply as it will significantly reduce the life of the pump.
3. Running the unit for more than one minute without spraying water causes heat to build up in the pump. Running the unit without spraying water can damage pump components.

## Maintenance

Observe regular maintenance intervals to ensure maximum performance and life from the pressure washer. Refer to the schedule for recommended maintenance. If you operate the pressure washer in dusty conditions, perform maintenance checks more often.

### MAINTENANCE SCHEDULE

Maintenance Schedule	Action needed
Daily	Check water inlet screen and filter.

### TECHNICAL AND CONSUMER INFORMATION

Horizontal Oriented Pressure Washers	
<b>Pump Oil Capacity</b>	
ARX5V	4.5 fl. oz. AR64545 oil
2DX and 3DNX	8.5 fl. oz. CAT pump oil
<b>Pump Detergent Suction</b>	
Water to detergent ratio	10 to 1 (10% detergent)
<b>Water Supply Requirements</b>	
Minimum inlet pressure	20 psi
Maximum inlet pressure	100 psi
Maximum inlet temperature	100° F
Minimum inlet flow rate	5 gpm
Inlet garden hose size	5/8 in. I.D.
Maximum inlet garden hose length	50 ft

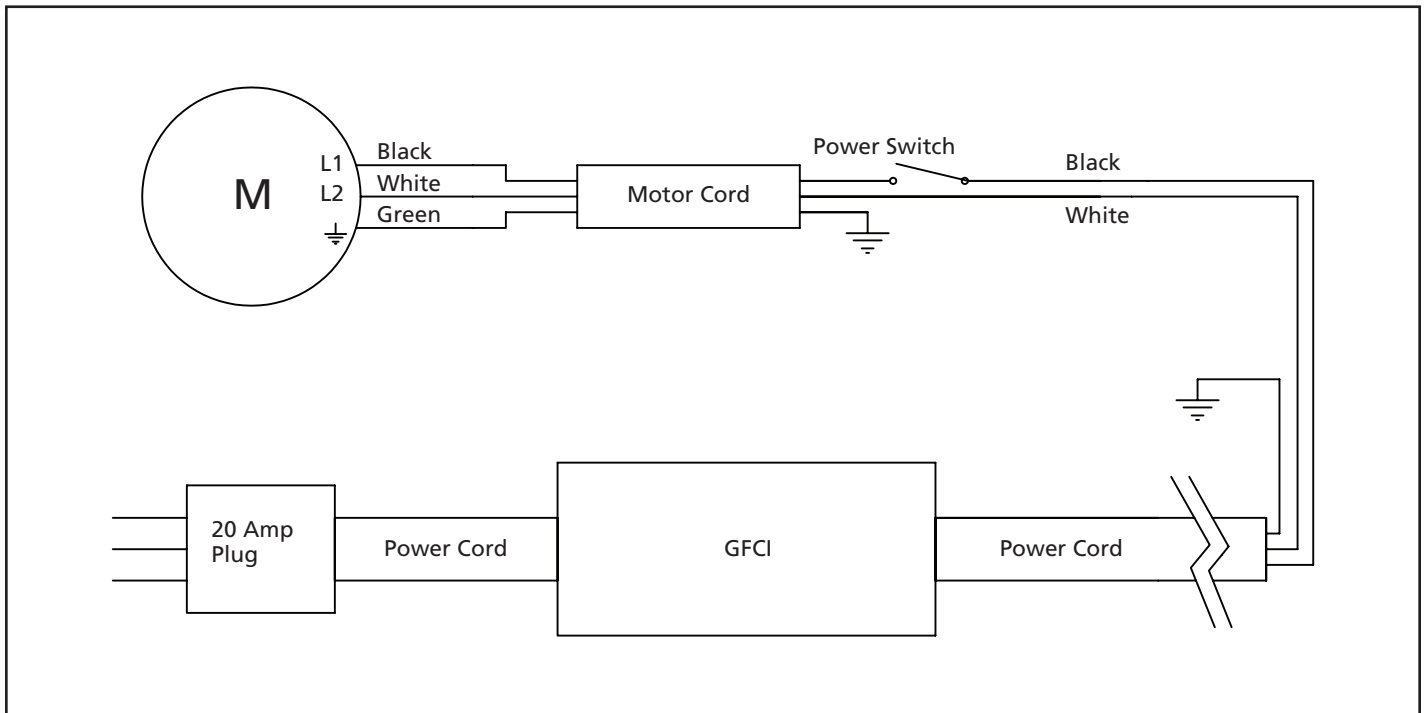


Figure 22 - Wiring Diagram 115V

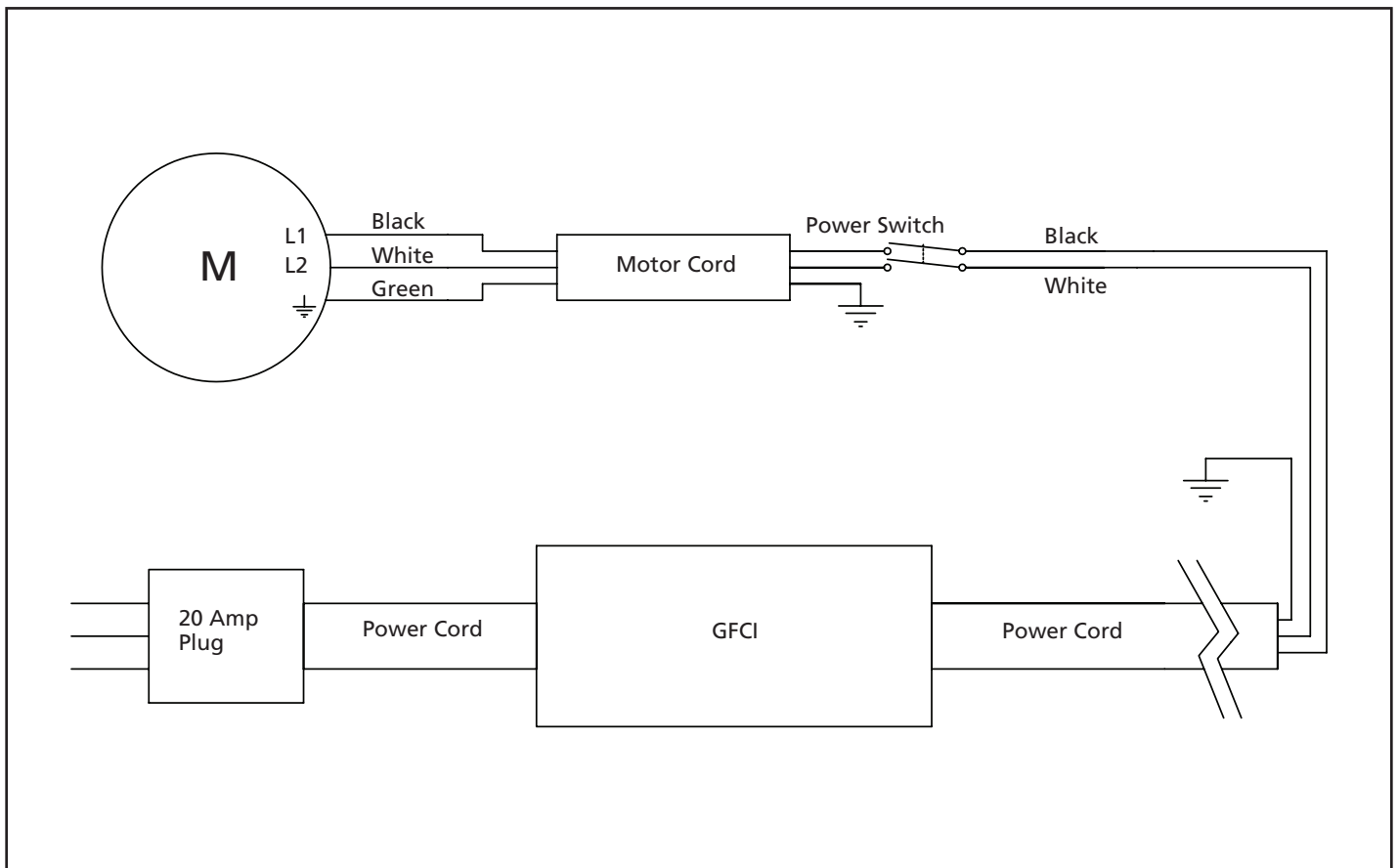


Figure 23 - Wiring Diagram 230V

## Troubleshooting Guide

SYMPTOM	CAUSE	SOLUTION
Low pressure and/or pump runs rough	<ol style="list-style-type: none"> <li>1. Worn or wrong size tip</li> <li>2. Inlet filter on pump clogged</li> <li>3. Worn water seals, abrasives in water, or natural wear</li> <li>4. Fouled or dirty inlet or discharge valves</li> <li>5. Restricted inlet</li> <li>6. Worn inlet or discharge valves</li> <li>7. Leaking high pressure hose</li> <li>8. Pump drawing in air</li> <li>9. Unloader valve seat faulty or worn</li> </ol>	<ol style="list-style-type: none"> <li>1. Replace with tip of proper size</li> <li>2. Clean. Check more frequently</li> <li>3. Check filter. Replace water seals. See service center</li> <li>4. Clean inlet and discharge valve assemblies. Check filter</li> <li>5. Check garden hose, may be collapsed or kinked. Check inlet water flow</li> <li>6. Replace worn valves</li> <li>7. Replace high pressure hose</li> <li>8. Ensure hoses and fittings are tight</li> <li>9. Check and replace</li> </ol>
Water leakage from under pump manifold	Worn water seals	Install new water seals. See service center
Water in pump crankcase (milky oil)	<ol style="list-style-type: none"> <li>1. Humid air condensing inside crankcase</li> <li>2. Oil seals leaking</li> </ol>	<ol style="list-style-type: none"> <li>1. Change oil as specified in maintenance schedule</li> <li>2. Install new oil seals. See service center</li> </ol>
Frequent or premature failure of the pump water seals	<ol style="list-style-type: none"> <li>1. Scored damaged or worn plungers</li> <li>2. Abrasive material in the fluid</li> <li>3. Inlet water temperature too high</li> <li>4. Overpressurizing pump</li> <li>5. Excessive pressure due to partially plugged or damaged tip</li> <li>6. Pump running too long without spraying</li> <li>7. Pump running dry</li> </ol>	<ol style="list-style-type: none"> <li>1. Install new plungers. See service center</li> <li>2. Install proper filtration on pump inlet plumbing</li> <li>3. Check water temperature; may not exceed 100° F</li> <li>4. Do not modify any factory set adjustments.</li> <li>5. Clean or replace tip.</li> <li>6. Never run pump more than 2 minutes without spraying</li> <li>7. Do not run pump without water</li> </ol>
Strong surging at the inlet and low pressure	Foreign particles in the inlet or discharge valve or worn inlet and/or discharge valves	Clean or replace valves. See service center
Oil leakage between the engine and the pump	Worn oil seals and/or o-ring	Replace oil seals and/or o-ring. See service center
Fluctuating pressure	<ol style="list-style-type: none"> <li>1. Valve worn, dirty or stuck</li> <li>2. Pump drawing in air</li> <li>3. Tip clogged</li> </ol>	<ol style="list-style-type: none"> <li>1. Check and replace</li> <li>2. Ensure hoses and fittings are tight. Purge air from garden hose</li> <li>3. Check or replace</li> </ol>
Pressure drops after period of normal use	<ol style="list-style-type: none"> <li>1. Worn pump water seals</li> <li>2. Nozzle worn</li> <li>3. Valve worn, dirty or stuck</li> <li>4. Unloader valve seat worn or dirty</li> <li>5. Nozzle in low psi position</li> </ol>	<ol style="list-style-type: none"> <li>1. Check and replace</li> <li>2. Check and replace</li> <li>3. Check, clean or replace</li> <li>4. Check, clean or replace</li> <li>5. Pull back nozzle to high pressure position</li> </ol>

*Continued on next page*

## Troubleshooting Guide

SYMPTOM	CAUSE	SOLUTION
Pressure washer does not start up	<ol style="list-style-type: none"> <li>1. GFCI has tripped</li> <li>2. Plug is not well connected or electric socket is faulty</li> <li>3. Extension cord too long or wire size too small</li> <li>4. Main voltage supply too low</li> <li>5. Thermal safety switch has tripped</li> </ol>	<ol style="list-style-type: none"> <li>1. Push reset button on plug</li> <li>2. Check plug, socket and fuses</li> <li>3. Remove extension cord</li> <li>4. Check that main supply voltage is adequate</li> <li>5. Switch off unit and allow motor to cool down</li> </ol>
Motor stops suddenly	<ol style="list-style-type: none"> <li>1. Extension cord too long or wire size too small</li> <li>2. Thermal safety switch has tripped due to overheating</li> </ol>	<ol style="list-style-type: none"> <li>1. Remove extension cord</li> <li>2. Check that main supply voltage corresponds to specifications</li> </ol>
Unit begins to smoke	Overheated, overloaded or damaged motor	Turn off unit and call 1-800-330-0712
Pump noisy / pump runs rough	<ol style="list-style-type: none"> <li>1. Pump drawing in air/low water supply</li> <li>2. Valves dirty or worn</li> <li>3. Worn bearings</li> <li>4. Water too hot</li> </ol>	<ol style="list-style-type: none"> <li>1. Ensure fittings are tight. Increase water pressure</li> <li>2. Check, clean or replace</li> <li>3. Check and replace</li> <li>4. Reduce temperature below 100° F</li> </ol>
Pressure washer will not spray detergent	<ol style="list-style-type: none"> <li>1. Not using soap tip</li> <li>2. Clog, kink, or hole in detergent suction hose</li> <li>3. Hose length too long</li> <li>4. Lance not functioning properly</li> </ol>	<ol style="list-style-type: none"> <li>1. Install 65 degree (black) soap tip</li> <li>2. If clean, unkink or replace hose.</li> <li>3. Use only hose length provided with initial purchase of pressure washer. Detergent suction will not function if more than one section of hose is attached to unit.</li> <li>4. Remove lance from gun. If detergent is dispensed through gun, the lance must be replaced. If no detergent is dispensed through gun, remove 1" tapered detergent barb from pump. Clean the barb, and make sure that ball and spring are properly aligned with tapered portion of the spring facing the ball. The ball should be on top of the spring.</li> </ol>

**For Replacement Parts or Technical Assistance, Call 1-800-330-0712**

Please provide following information:

- Model number
- Serial number (if any)
- Part description and number as shown in parts list

Address any correspondence to:

Campbell Hausfeld  
Attn: Customer Service  
100 Production Drive  
Harrison, OH 45030 U.S.A.

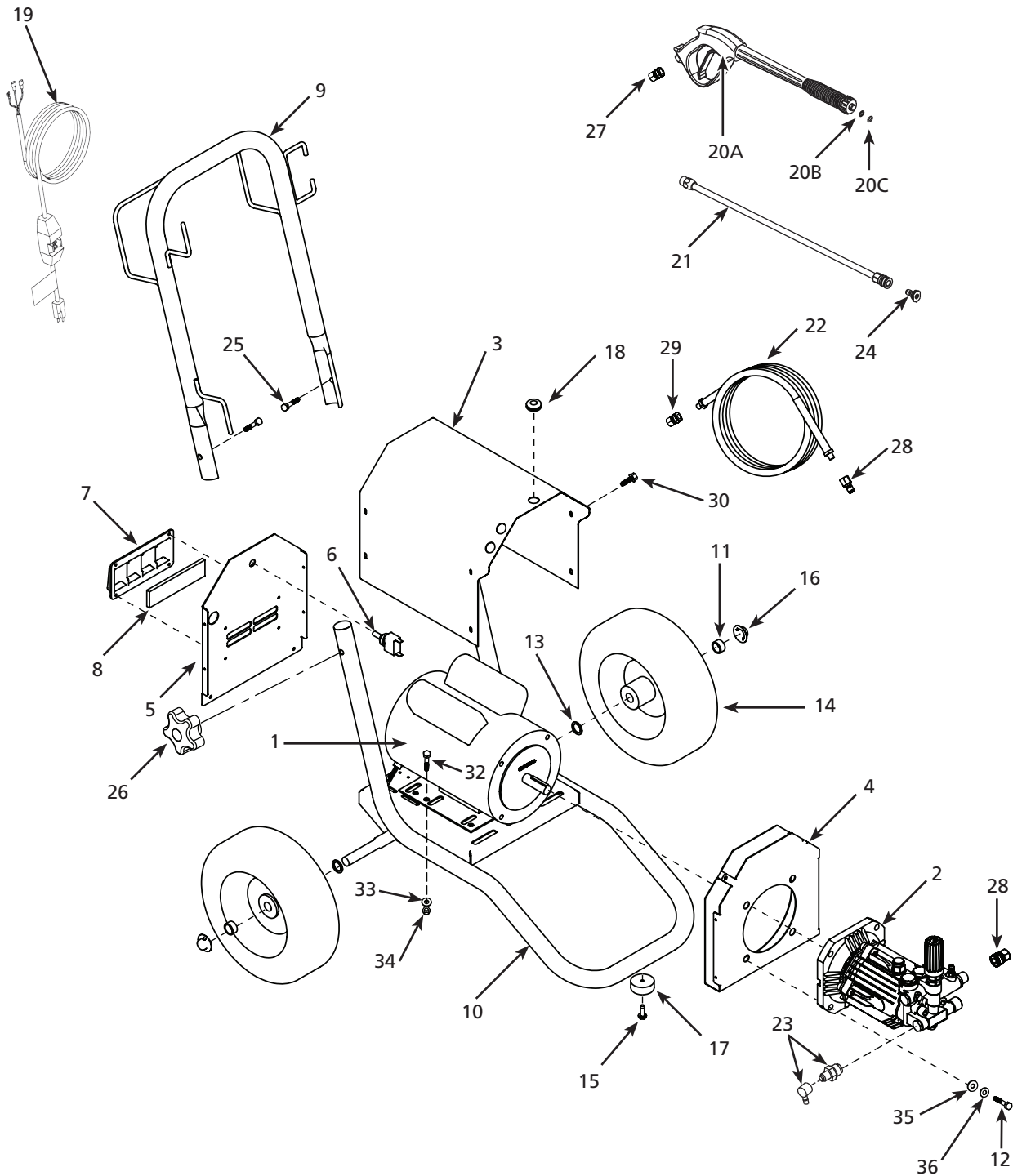


Figure 24 – Repair Parts Illustration



**Replacement Parts List**

Ref. No.	Description	CP5211	CP5216	CP5321	Qty.
1	Motor	MC031000AV	MC031000AV	MC031001AV	1
2	Pump	PM351171SJ	PM351170SJ	PM351172SJ	1
3	Motor cover	PM351173SJ	PM351173SJ	PM351174SJ	1
4	Air baffle	PM351102JJ	PM351102JJ	PM351102JJ	1
5	Rear cover	PM351103JJ	PM351103JJ	PM351107JJ	1
6	Switch	PM351179SJ	PM351179SJ	PM351180SJ	1
7	Louver	PM351128AV	PM351128AV	PM351128AV	1
8	Air Filter	PM351129AV	PM351129AV	PM351129AV	1
9	Handle	PM351023JJ	PM351023JJ	PM351023JJ	1
10	Cart	PM351175SJ	PM351175SJ	PM351176SJ	1
11	Spacer	AL007001AV	AL007001AV	AL007001AV	2
12	Bolt - 3/8 inch - 16 x 1.25 inch long	*	*	*	4
13	Washer	ST090200AV	ST090200AV	ST090200AV	2
14	Pneumatic wheel	WA005620AV	WA005620AV	WA005620AV	2
15	Screw	MJ102100AV	MJ102100AV	MJ102100AV	1
16	Palnut	AL066300AV	AL066300AV	AL066300AV	2
17	Rubber bumper	AL062300AV	AL062300AV	AL062300AV	1
18	Rubber grommet	MJ110200AV	MJ110200AV	MJ110200AV	5
19	Cord assembly	PM351177SJ	PM351177SJ	PM351178SJ	1
20A	Gun	PM005136AV	PM005136AV	PM005136AV	1
20B	Gun o-ring	PM345402SJ	PM345402SJ	PM345402SJ	1
20C	Gun backup o-ring	PM232211SJ	PM232211SJ	PM232211SJ	1
21	Lance	PM035120AV	PM035120AV	PM035120AV	1
22	25 foot Hose	PM005010AV	PM005010AV	PM005010AV	1
23	Thermal relief assembly	PM245100AV	PM005406AV	PM005406AV	1
24	Quick connect tips				
	Nozzle – 0 deg	PM351120AV	PM351120AV	PM039870AV	1
	Nozzle – 15 deg	PM351121AV	PM351121AV	PM039880AV	
	Nozzle – 25 deg	PM351122AV	PM351122AV	PM039890AV	
	Nozzle – 40 deg	PM351123AV	PM351123AV	PM039900AV	
	Nozzle – Soap	PM039820AV	PM039820AV	PM039820AV	
25	5/16 inch – 18 x 2.25 inch Carriage Bolt	MJ103305AV	MJ103305AV	MJ103305AV	2
26	Star Knob	PM080900AV	PM080900AV	PM080900AV	2
27	Quick Connect – Gun	PM068060AV	PM068060AV	PM068060AV	1
28	Quick Connect – Pump and Hose	PM068070AV	PM068070AV	PM068070AV	2
29	Quick Connect – Hose	PM068066AV	PM068066AV	PM068066AV	1
30	Screw - #8-18 Tapping	MJ106100AV	MJ106100AV	MJ106100AV	14
31	Chemical Tube (not shown)	PM013800AV	PM013800AV	PM013800AV	1
32	5/16 inch – 18 X 3/4 inch Bolt	ST016000AV	ST016000AV	ST016000AV	4
33	5/16 inch Flat Washer	ST070930AV	ST070930AV	ST070930AV	4
34	5/16 inch – 18 Hex Nut	AL014000AV	AL014000AV	AL014000AV	4
35	3/8 inch Flat Washer	ST070913AV	ST070913AV	ST070913AV	4
36	3/8 inch Lock Washer	ST071011AV	ST071011AV	ST071011AV	4

\* Standard Hardware Item

---

**Reminder:** *Keep your dated proof of purchase for warranty purposes! Attach it to this manual or file it for safekeeping.*

---

## Warranty

1. **DURATION:** From the date of purchase by the original purchaser as follows: Three (3) years pressure washer unit, two (2) years pump and motor, and 90 days for wear items.
2. **WHO GIVES THIS WARRANTY (WARRANTOR):** Campbell Hausfeld / Scott Fetzer Company, 100 Production Drive, Harrison, OH 45030, Telephone: 1-800-330-0712
3. **WHO RECEIVES THIS WARRANTY (PURCHASER):** The original purchaser (other than for purposes of resale) of the Campbell Hausfeld pressure washer.
4. **WHAT PRODUCTS ARE COVERED UNDER THIS WARRANTY:** Any Campbell Hausfeld Pressure Washer supplied or manufactured by the Warrantor.
5. **WHAT IS COVERED UNDER THIS WARRANTY:** Substantial defects on material and workmanship which occur within the duration of the warranty period with the exceptions noted below.
6. **WHAT IS NOT COVERED UNDER THIS WARRANTY:**
  - A. Implied warranties, including those of merchantability and FITNESS FOR A PARTICULAR PURPOSE ARE LIMITED FROM THE DATE OF ORIGINAL PURCHASE AS STATED IN THE DURATION. Some states do not allow limitation on how long an implied warranty lasts, so the above limitations may not apply to you.
  - B. ANY INCIDENTAL, INDIRECT, OR CONSEQUENTIAL LOSS, DAMAGE, OR EXPENSE THAT MAY RESULT FROM ANY DEFECT, FAILURE, OR MALFUNCTION OF THE CAMPBELL HAUSFELD pressure washer. Some States do not allow the exclusion or limitation of incidental or consequential damages, so the above limitation or exclusion may not apply to you.
  - C. Any failure that results from shipping damage, accident, purchaser's abuse, neglect or failure to install and operate pressure washer in accordance with instructions provided in the owner's manual(s) supplied with product.
  - D. Pre-delivery service, i.e. assembly, oil or lubricants and adjustment.
  - E. Items or service normally required to maintain the pressure washer.
  - F. Additional items not covered under the warranty:
    1. Normal wear items such as high pressure hoses, water and oil seals, o-rings, valves, lances and spray tips.
    2. Motor brushes (Electric models only).
    3. Cosmetic defects that do not interfere with functionality.
    4. Rusted components.
    5. Pump wear or valve damage caused by using improper oil, oil contamination or by failure to follow proper oil maintenance guidelines.
7. **RESPONSIBILITIES OF WARRANTOR UNDER THIS WARRANTY:** Repair or replace, at Warrantor's option, pressure washer or component which is defective, has malfunctioned and/or failed to conform within duration of the warranty period.
8. **RESPONSIBILITIES OF PURCHASER UNDER THIS WARRANTY:**
  - A. Provide dated proof of purchase and maintenance records.
  - B. Deliver or ship the Campbell Hausfeld pressure washer or component to nearest Campbell Hausfeld Authorized Service Center. Freight costs, if any, must be borne by the purchaser.
  - C. Use reasonable care in the operation and maintenance of the pressure washer as described in the owner's manual(s).
9. **WHEN WARRANTOR WILL PERFORM REPAIR OR REPLACEMENT UNDER THIS WARRANTY:** Repair or replacement will be scheduled and serviced according to the normal work flow at the servicing location, and depending on the availability of replacement parts.

This Limited Warranty applies in the U.S., Canada and Mexico only and gives you specific legal rights. You may also have other rights which vary from state to state or country to country.



# Nettoyeur haute pression à essence

Instructions d'Utilisation et Manual de Pièces

**CP5211**  
**CP5216**  
**CP5321**



ENGLISH: Page 1  
ESPAÑOL: Página Sp1

IN469800AV 6/09  
2009 Campbell Hausfeld/Scott Fetzer



**MAKES IT EASY TO DO IT LIKE A PRO**

[chpower.com](http://chpower.com)

Download from [www.Somanuals.com](http://www.Somanuals.com). All Manuals Search And Download.

## Table des Matières

---

Description.....	Fr3	Ajuster l'angle d'éventail de pulvérisation .....	Fr12
Spécifications.....	Fr3	Angle à la surface de nettoyage ..	Fr12
Directives De Sécurité .....	Fr4	Distance de la surface à nettoyer	Fr12
Symboles De Sécurité .....	Fr4	Comment éviter d'endommager les surfaces .....	Fr12
<b>Importantes Instructions De Sécurité .....</b>	<b>Fr4</b>	Application de détergent .....	Fr12
Instructions Portant Sur Un Risque d'Incendie, Un Choc Électrique Ou Des Blessures Aux Personnes ...	Fr4	Détergents .....	Fr12
Proposition 65 de Californie .....	Fr4	Conseils Généraux de Nettoyage .....	Fr13
Généralité .....	Fr4	Puissance de nettoyage.....	Fr13
Aire de travail .....	Fr4	Dernier Rinçage .....	Fr13
Sécurité personnelle .....	Fr4	Procédure de décompression .....	Fr13
Sécurité électrique.....	Fr5	Arrêt.....	Fr13
Instructions de mise à la terre .....	Fr5	Rangement.....	Fr13
Utilisation et entretien de l'outil.....	Fr5	Instructions Pour L'hiver .....	Fr13
<b>Questions Fréquemment Posées ....</b>	<b>Fr6</b>	Conseils pour prolonger la durée de vie de votre pulvérisateur haute pression.....	Fr14
Service.....	Fr6	<b>Entretien .....</b>	<b>Fr14</b>
Conserver ces instructions Ne les jetez pas .....	Fr6	Horaire d'entretien .....	Fr14
<b>Déballage .....</b>	<b>Fr7</b>	Information technique et pour les consommateurs .....	Fr14
Contenu de la boîte .....	Fr7	<b>Guide de dépannage .....</b>	<b>Fr16</b>
Autres articles non inclus.....	Fr7	<b>Liste de pièces de rechange .....</b>	<b>Fr19</b>
<b>Glossaire .....</b>	<b>Fr8</b>	<b>Garantie Limitée.....</b>	<b>Fr20</b>
<b>Apprendre à connaître votre laveuse à pression.....</b>	<b>Fr9</b>		
Utilisations recommandées pour cette laveuse à pression .....	Fr9		
<b>Assemblage et préopération .....</b>	<b>Fr10</b>		
Assemblage et préopération .....	Fr10		
<b>Opération .....</b>	<b>Fr11</b>		
Préparation de la surface .....	Fr11		
Démarrage.....	Fr11		
Verrou de sécurité de la gâchette ..	Fr11		
Rinçage initial à haute pression ...	Fr12		

---

### Pour de renseignements sur pièces de rechange, produits et entretien

**Appeler :** Service à la clientèle au 1-800-330-0712

**Adresser toute correspondance à :** Campbell Hausfeld  
Attn: Customer Service  
100 Production Drive  
Harrison, OH 45030 U.S.A.



# Nettoyeur haute pression à essence



## Description

Ces laveuses à pression électriques durables et puissantes sont conçues pour des projets industriels dans les ateliers de maintenance, les fermes, les étables, les cuisines commerciales, les entreprises de sérigraphie, l'équipement lourd et beaucoup plus. Elles ont l'approbation répondant aux normes UL et CSA.

Le moteur à induction robuste fonctionne silencieusement, de manière efficace et sans émissions de carburant. Il est couvert d'un capot d'acier, revêtu de poudre pour protéger et prolonger la vie de l'appareil et fournit un rangement d'embouts. La pompe de qualité commerciale a des pistons de céramique pour fournir une longue durée de vie de la pompe. La pompe et le moteur sont montés sur un chariot à cadre d'acier revêtu de poudre, robuste. Le chariot comprend des roues pneumatiques et une poignée repliable pour un rangement compact. Le pistolet/la lance, le boyau haute pression et le cordon se rangent tous sur le chariot.



Figure 1 - Modèles CP5211, CP5216 et CP5321

## Spécifications

### Modèle CP5211

2HP CAT 2DX

115 Volt

Embout n° 2.0

**Pression :** 13 790 kPa/2 000 lb/po<sup>2</sup>

**Débit :** 5,7 l/min (1,5 g/min)

### Modèle CP5216

2HP AR XJV

115 Volt

Embout n° 2.0

**Pression :** 13 100 kPa/1 900 lb/po<sup>2</sup>

**Débit :** 5,7 l/min (1,5 g/min)

### Modèle CP5321

5HP CAT 3DNX

230 Volt

Embout n° 3.0

**Pression :** 19 995 kPa/2 900 lb/po<sup>2</sup>

**Débit :** 9,5 l (2,5 g/min)

Veillez inscrire le No de modèle et le No de série à utiliser pour contacter le fabricant :

N° de modèle : \_\_\_\_\_

N° de série : \_\_\_\_\_

Date d'achat : \_\_\_\_\_

Lieu d'achat : \_\_\_\_\_

Pour obtenir de l'information sur le produit, veuillez appeler le 1-800-330-0712.



## Directives De Sécurité

Ce manuel contient de l'information très importante qui est fournie pour la SÉCURITÉ et pour ÉVITER LES PROBLÈMES D'ÉQUIPEMENT. Rechercher les symboles suivants pour cette information.

**▲ DANGER** Danger indique une situation dangereuse imminente qui MÈNERA à la mort ou à des blessures graves si elle n'est pas évitée.

**▲ AVERTISSEMENT** Avertissement indique une situation potentiellement dangereuse qui, si elle n'est pas évitée, POURRAIT mener à la mort ou à de graves blessures.

**▲ ATTENTION** Attention indique une situation potentiellement dangereuse qui, si elle n'est pas évitée, PEUT mener à des blessures mineures ou modérées.

**AVIS** Avis indique de l'information importante qui pourrait endommager l'équipement si elle n'est pas respectée.

**IMPORTANT :** Information qui exige une attention spéciale.

## Symboles De Sécurité

Les symboles de sécurité suivants apparaissent dans l'ensemble de ce manuel pour vous aviser des dangers et des précautions importants de sécurité.



Lire le manuel d'abord



Risque d'explosion



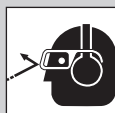
Risque d'incendie



Risque de tomber



Risque de blessure



Protection oculaire et auditive



Risque de choc électrique

## Importantes Instructions De Sécurité

### INSTRUCTIONS PORTANT SUR UN RISQUE D'INCENDIE, UN CHOC ÉLECTRIQUE OU DES BLESSURES AUX PERSONNES

Ce manuel contient des informations concernant la sécurité, le fonctionnement et l'entretien. Si vous avez des questions, appeler le 1-800-330-0712 pour le service à la clientèle.

**▲ AVERTISSEMENT** En utilisant les outils, il faut suivre les précautions de base, y compris ce qui suit :

### PROPOSITION 65 DE CALIFORNIE

**▲ AVERTISSEMENT** Ce produit ou son cordon peuvent contenir des produits chimiques, y compris du plomb, relevés par l'État de Californie comme cause de cancer, d'anomalies congénitales ou d'autres problèmes reproductifs. Lavez-vous les mains après toute manipulation.

### GÉNÉRALITÉ

- Pour réduire les risques de chocs électriques, d'incendie ou de blessures aux personnes, lire toutes les instructions avant d'utiliser l'outil. Ne pas suivre les avertissements, les dangers et les mises en garde pourrait causer la MORT ou de GRAVES BLESSURES.
- Se familiariser avec ce produit, ses commandes et son utilisation. Suivez toutes les instructions. Contacter votre représentant Campbell Hausfeld si vous avez des questions.
- Seules les personnes familières avec ces règles d'utilisation sans danger devraient utiliser cette unité.
- Suivez tous les codes de sécurité ainsi que l'Occupational Safety and Health Act (OSHA).



### AIRE DE TRAVAIL

- Gardez le secteur d'opération libre de toutes personnes.
- Garder l'aire de travail propre et bien éclairée. Les établis encombrés et les coins sombres augmentent les risques de chocs électriques, d'incendie et de blessures aux personnes.
- Ne pas faire fonctionner l'outil dans une atmosphère explosive comme en présence de liquides, gaz ou poussières inflammables. L'outil peut produire des étincelles menant à une inflammation de poussières ou de fumées.
- NE pulvériser JAMAIS de liquides inflammables et n'utilisez jamais le pulvérisateur haute pression dans des endroits contenant de la poussière, des liquides ou des vapeurs combustibles.
- Ne faites jamais fonctionner cet appareil dans un édifice fermé ou dans ou près d'un environnement explosif.



### SÉCURITÉ PERSONNELLE

- Rester vigilant. Il faut regarder ce que vous faites et utiliser son sens commun en faisant fonctionner un outil. Ne pas faire fonctionner l'appareil si vous êtes fatigué ou sous l'influence de drogues, d'alcool ou de médicaments. Un moment d'inattention en faisant fonctionner l'outil augmente le risque de blessures.
- Il faut s'habiller correctement. Ne pas porter de bijoux ou de vêtements amples. Attacher les cheveux longs. Garder les cheveux, les vêtements et les gants loin des pièces mobiles. Les vêtements amples, les bijoux ou les cheveux longs augmentent le risque de blessures si quelque chose se prend dans les pièces mobiles.
- Ne pas trop se pencher. Garder bon pied et bon équilibre en tout temps. Ceci permet d'avoir un meilleur contrôle de l'outil dans les situations imprévues.



## Importantes Instructions De Sécurité (Suite)

**⚠ AVERTISSEMENT** *Risque d'injection ou de blessures graves. Restez loin du gicleur. Ne déchargez pas de jets vers les personnes. Ce produit doit être utilisé seulement par un opérateur formé. Retirez toujours la tige du pistolet avant de nettoyer les débris de l'embout.*



- Restez loin du gicleur. NE dirigez JAMAIS le jet haute pression vers une personne, un animal, ou vous-même.
- Ne mettez jamais la main ou les doigts sur l'embout de pulvérisation en opérant l'appareil.
- N'essayez jamais d'arrêter ou de dévier les fuites vers toute partie du corps.

**⚠ AVERTISSEMENT** *S'assurer que l'outil n'est utilisé que lorsque l'opérateur et tout autre personnel dans l'aire de travail portent un équipement de protection oculaire ANSI Z87, et s'il y a lieu, d'autre équipement de protection approprié comme une protection de la tête, auditive, des gants, des bottes de caoutchouc, des vêtements protecteurs en utilisant et exécutant la maintenance. De graves blessures oculaires ou une perte auditive permanente pourraient en résulter.*



### SÉCURITÉ ÉLECTRIQUE

#### Instructions de mise à la terre

Ce produit doit être mis à la terre. S'il y a des défaillances ou des pannes, la mise à la terre donne une voie de moindre résistance au courant électrique ce qui réduit les risques de choc électrique. Ce produit est doté d'un cordon à conducteur de terre pour l'équipement et d'une fiche de mise à la terre. La fiche doit être branchée dans une prise appropriée bien installée et mise à la terre conformément à tous les codes et ordonnances locaux.

**⚠ DANGER** *Une connexion inappropriée du conducteur de terre de l'équipement peut mener à un risque de choc électrique. Consultez un électricien ou un personnel de service qualifié si vous avez des doutes quant à la mise à la terre appropriée de la prise. Ne modifiez pas la fiche fournie avec le produit - si elle n'entre pas correctement dans la prise, faites installer une prise convenable par un électricien qualifié. N'utilisez pas tout type d'adaptateur avec ce produit.*



**⚠ AVERTISSEMENT** *Risque d'électrocution :*

- Ce produit est fourni avec un disjoncteur de fuite à la terre intégré dans la prise du cordon. Assurez-vous d'inspecter le cordon et le disjoncteur de fuite à la terre avant de l'utiliser. Toute réparation ou tout remplacement du cordon doit se faire par un technicien électrique qualifié (agrégé ou certifié). S'il faut remplacer la fiche ou le cordon, utilisez seulement des pièces de rechange identiques.
- NE JAMAIS utiliser de rallonge avec ce produit.
- Brancher l'appareil seulement à une prise mise à la terre correctement. Ne pas retirer la broche de terre.
- Inspecter le cordon avant d'utiliser l'appareil - Ne pas utiliser si le cordon est endommagé.
- Garder toutes les connexions électriques sèches et loin du sol.
- Ne pas toucher la fiche avec les mains humides.

- Ne pas pulvériser d'appareils électriques et de câblage.

### UTILISATION ET ENTRETIEN DE L'OUTIL

**⚠ AVERTISSEMENT** *N'utilisez pas de pression qui dépasse la pression d'exploitation de toute pièce (flexibles, raccords, etc.) du système sous pression. Assurez-vous que tout équipement et accessoires sont du calibre voulu pour résister à la pression d'exploitation maximum de l'appareil.*

- Il faut entretenir l'outil avec soin. Un outil bien entretenu réduit le risque de problèmes et est plus facile à contrôler.
- Assurez-vous que tous les dispositifs de sécurité fonctionnent correctement avec chaque utilisation. NE retirez PAS et ne modifiez pas toute pièce du pistolet ou de l'appareil.
- NEVER operate the machine without all components properly connected to the machine (handle, gun/wand assembly, nozzle, etc.).
- Pointer le pistolet dans une direction sans danger. L'unité commencera à pulvériser lorsque la gâchette est pressée si l'interrupteur « marche/arrêt » est à la position « ON » (Pulvérisateur à pression (marche)).
- Sachez comment arrêter ce produit et dégager rapidement la pression. Soyez bien au fait des contrôles.
- Engagez toujours le verrou de sécurité de la gâchette en position sûre à la fin de la pulvérisation même si ce n'est que pour quelques instants.
- N'engagez jamais en permanence le mécanisme de la gâchette sur le pistolet.
- Suivez toujours les recommandations du fabricant de détergents pour la bonne utilisation du produit. Protégez toujours les yeux, la peau et le système respiratoire du détergent.
- Ne débranchez jamais le flexible de décharge de haute pression de la machine tandis que le système est sous pression. Pour décompresser, coupez le courant et l'eau, puis pressez la gâchette du pistolet 2 ou 3 fois.
- Débrancher l'appareil lorsqu'il n'est pas utilisé.
- Suivez les instructions d'entretien spécifiées dans le manuel.

#### AVIS *Dompage à l'équipement.*

- Mettez TOUJOURS l'eau à "ON" avant de mettre le pulvérisateur haute pression en marche "ON". **Faire** fonctionner la pompe à sec cause de graves dommages.
- Ne faites pas fonctionner le pulvérisateur haute pression avec l'écran d'entrée d'eau retiré. Gardez l'écran libre de tous débris et sédiments.
- NE faites JAMAIS fonctionner le pulvérisateur haute pression avec des pièces brisées ou manquantes. Vérifiez régulièrement l'équipement et réparez immédiatement toutes pièces usées ou endommagées.
- Utilisez seulement le gicleur fourni avec l'appareil.
- Ne laissez jamais la rallonge sans surveillance tandis que la machine est en marche.
- Tenez toujours le pistolet et la rallonge bien fermement en démarrant et en faisant fonctionner l'appareil.

- r. Ne laissez JAMAIS l'appareil fonctionner avec la gâchette dégagée (arrêt) pendant plus d'une minute. L'accumulation de chaleur pourrait endommager la pompe.
- s. Dégagez la gâchette en changeant de haute à basse pression sinon vous pourriez endommager le gicleur.
- t. NE rangez JAMAIS le pulvérisateur haute pression à l'extérieur ou à des endroits où il pourrait geler. Le gel peut endommager gravement la pompe.

#### SERVICE

- a. **En réparant ou faisant l'entretien d'un outil, utiliser seulement des pièces de rechange identiques. Utiliser seulement des pièces autorisées.**

#### CONSERVER CES INSTRUCTIONS NE LES JETEZ PAS

*NOTE : Les symboles DANGER, AVERTISSEMENT, ATTENTION ET AVIS ainsi que les instructions de ce manuel ne peuvent pas couvrir toutes les conditions et situations qui pourraient se produire. L'opérateur doit comprendre que le bon sens et des précautions sont des facteurs qui ne peuvent pas être inclus dans ces produits, mais doivent être fournis par l'opérateur.*

### Questions Fréquemment Posées

#### Pourquoi est-ce que je n'ai aucune pression d'eau ?

- Est-ce que le tuyau d'eau est attaché au pulvérisateur ?
- L'eau est-elle en marche ?
- Vérifiez les tortillements, fuites, blocages de flexibles, raccords ou gicleur.
- Est-ce que la buse à branchement rapide est en place? (Voir Page Fr10).
- Est-ce que l'écran du filtre d'aspiration est libre de débris ? Vérifiez et retirez les débris au besoin.

#### Comment puis-je obtenir une haute pression ?

- Utilisez toute buse de couleur sauf la noire. La buse noire n'est utilisée que pour l'application de détergent à basse pression.

#### Comment puis-je faire fonctionner l'aspiration de savon ?

1. Branchez le tube d'aspiration de produits chimiques de plastique transparent à la barbelure du boyau de plastique, insérez l'autre extrémité dans votre détergent.
2. Installez la buse de pulvérisation noire pour appliquer du détergent à basse pression.

#### Pourquoi est-ce que le pulvérisateur haute pression n'applique pas de détergents avec une haute pression ?

Les détergents « rebondissent » sur les surfaces de nettoyage à la même vitesse qu'ils sont appliqués. Les fonctions du pulvérisateur de lavage permettent à un détergent d'être tiré seulement en mode de basse pression. En appliquant le détergent à basse pression, l'effet de « rebondissement » est réduit. Les détergents sont seulement efficaces lorsqu'on leur donne le temps de travailler sur la surface à nettoyer. Après avoir appliqué le détergent, attendre 1 à 3 minutes pendant qu'il fonctionne, puis passer au rinçage de la surface avec une haute pression.

#### Quel entretien dois-je effectuer sur mon pulvérisateur haute pression ?

1. Après avoir fermé le pulvérisateur haute pression et l'eau, enlevez la pression du flexible en pressant la gâchette du pistolet.
2. Retirez le tuyau d'arrosage et le flexible haute pression de la pompe.
3. Faites fonctionner le moteur pendant 5 secondes pour purger l'eau de la pompe. Ceci aidera à protéger la pompe des dommages.
4. Ne rangez pas votre pulvérisateur haute pression dans un endroit où la température tombera sous 0° C.
5. Suivre les instructions concernant le rangement et préparation pour l'hiver appropriées, pages Fr13 et Fr14.

#### Que faire s'il me manque une pièce ?

Appelez Campbell Hausfeld au 1-800-330-0712 et nous remplacerons rapidement toutes les pièces manquantes. **NE RETOURNEZ PAS LE PULVÉRISATEUR AU DÉTAILLANT !**

#### Où puis-je acheter des accessoires pour mon pulvérisateur haute pression ?

- Si vous ne pouvez en trouver chez votre détaillant, appelez Campbell Hausfeld au 1-800-330-0712.

#### Qui dois-je appeler si j'ai des questions ou des problèmes ?

Appelez Campbell Hausfeld au 1-800-330-0712

## Déballage

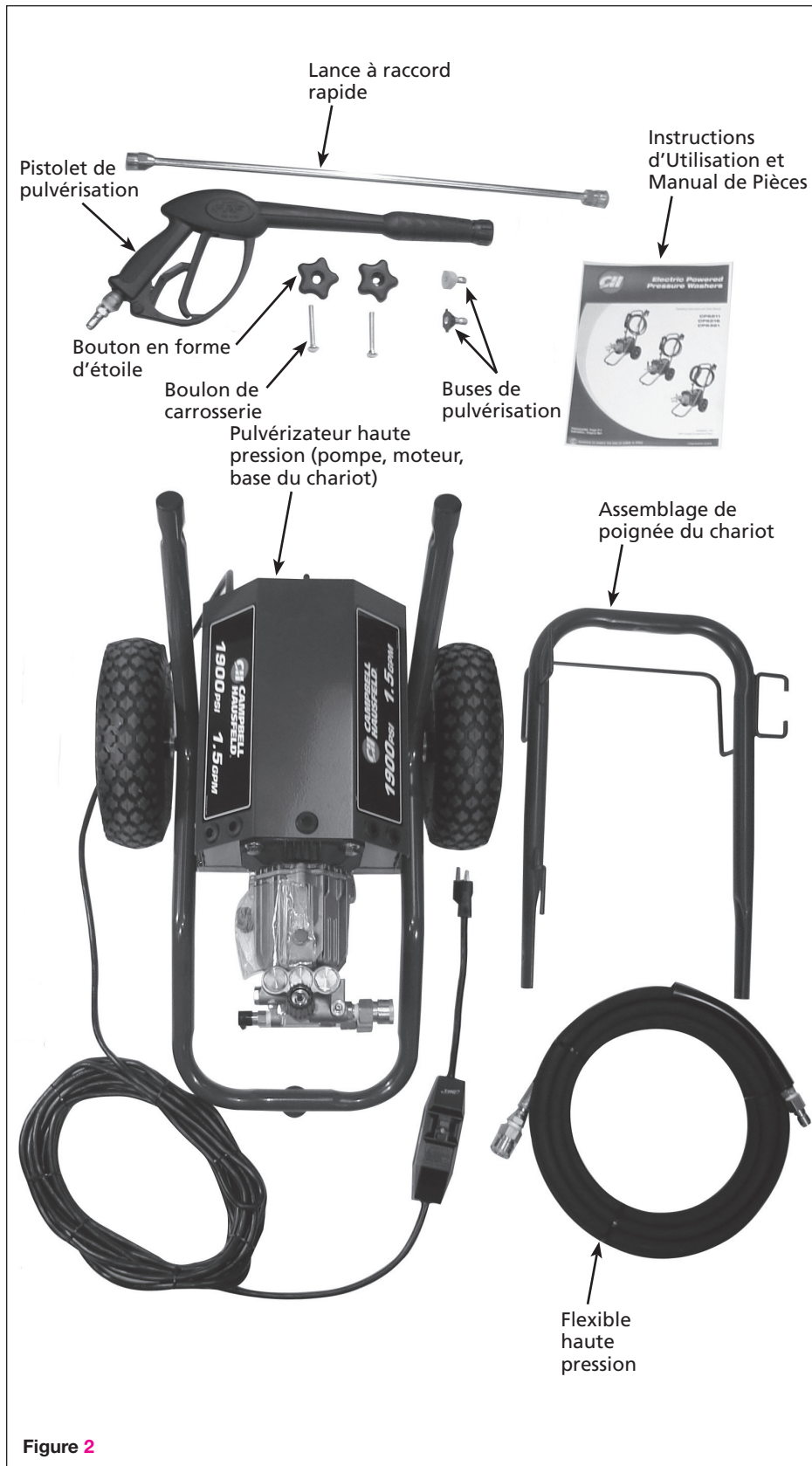


Figure 2

### CONTENU DE LA BOÎTE

- ◆ Un pulvérisateur haute pression (pompe, moteur, base du chariot)
- ◆ Un assemblage de poignée du chariot
- ◆ Un pistolet de pulvérisation et une lance à raccord rapide
- ◆ Deux buses de pulvérisation pour le modèle CP5216
- ◆ Cinq buses de pulvérisation pour les modèles CP5211 et CP5321
- ◆ Un flexible haute pression
- ◆ Un paquet d'écrous, boulons et manuels

### AUTRES ARTICLES NON INCLUS

- ◆ ANSI Z87 Protection oculaire
- ◆ Boyau d'arrosage

Dès que l'appareil est déballé, inspectez-le attentivement pour tout signe de dommages en transit. Vérifiez s'il y a des pièces desserrées, manquantes ou endommagées. Assurez-vous de resserrer tous les raccords, boulons, etc. avant d'utiliser la laveuse à pression. Vérifiez pour vous assurer que tous les accessoires fournis sont inclus avec l'appareil. S'il manque toute pièce, **NE RETOURNEZ PAS L'APPAREIL AU DÉTAILLANT**. Consultez le numéro de modèle de l'appareil (sur l'étiquette du numéro de série du cadre de la laveuse à pression) et appelez le 1-800-330-0712 pour les pièces de rechange.

**⚠ AVERTISSEMENT** *Ne faites pas fonctionner l'appareil s'il est endommagé pendant l'expédition, la manipulation ou l'utilisation. Des dommages peuvent mener à l'éclatement et provoquer des blessures ou des dommages à la propriété.*

**LIRE ET SUIVRE TOUTES LES INSTRUCTIONS.**

**Conserver ces instructions ne pas les jeter.**



## Glossaire

Familiarisez-vous avec ces termes avant d'utiliser l'appareil.

**CAVITATION** - Le choc de milliers de bulles s'écrasant à l'intérieur de la pompe rapidement, marquant les surfaces de métal et les joints. La cavitation est causée par le manque d'eau à l'entrée de la pompe.

**INJECTEUR CHIMIQUE** - Un injecteur chimique permet d'injecter les produits chimiques ou le savon dans le jet d'eau pour obtenir un nettoyage plus rapide et plus facile que l'eau seule.

**SYSTÈME D'INJECTION DE DÉTERGENT** - Les détergents de nettoyage sont tirés à l'intérieur du jet d'eau pour obtenir un nettoyage plus efficace en permettant aux détergents de saturer la surface souillée.

**G/MIN (GALLONS À LA MINUTE)** - Plus d'eau à la minute peut se traduire par un nettoyage plus rapide, tout particulièrement en lavant des matériaux comme la boue et le goudron.

**DISJONCTEUR DE FUITE À LA TERRE (GFCI)** - Le disjoncteur de fuite à la terre protège l'utilisateur de toute électrocution accidentelle (pour les laveuses à pression alimentées par l'électricité seulement).

**SORTIE HAUTE PRESSION** - Une connexion pour le boyau à haute pression.

**HP (HORSEPOWER)** - Une unité de mesure pour le travail.

**EMBOUT (BUSES DE PULVÉRISATION À RACCORDEMENT RAPIDE)** - L'embout est la restriction à l'extrémité de la baguette qui crée la pression. Les embouts ont différents motifs de pulvérisation qui peuvent affecter la largeur et la force de la pulvérisation. L'embout de 40 degrés (blanc) offre une pulvérisation à plat d'environ 40 degrés. Il y a aussi des embouts de 25 degrés (vert) et le plus populaire celui de 15 degrés (jaune). L'embout de 0 degré (rouge) doit être utilisé prudemment, car il peut couper le bois et provoquer des dommages.

**KPA (KILOPASCAL)** - Une unité de mesure pour la pression. Elle détermine combien de pression appliquer directement sur la surface à nettoyer. La pression livrée par la laveuse à pression est directement responsable de la séparation du lien entre les débris et la surface à nettoyer.

**DÉCHARGE THERMIQUE** - Une technique utilisée pour réduire l'accumulation d'eau à haute température dans une pompe de laveuse à pression ce qui apparaît lorsque la gâchette du pistolet de pulvérisation est fermé. Ce système prévient les dommages internes de la pompe en faisant cycler l'eau par la pompe lorsque l'eau atteint la température maximale de l'eau. L'eau tiède se déchargera de la pompe sur le sol.

**DÉCHARGE** - Un appareil utilisé pour dégager la pression d'eau dans la pompe lorsque la circulation de pulvérisation est bloquée. Ceci permet au moteur de continuer à fonctionner lorsque l'opérateur dégage la gâchette du pistolet de pulvérisation et arrête le lavage. Il dévie la pression qui s'accumulerait sans la décharge en amenant l'eau du côté de la sortie de la pompe et la ramenant au côté d'entrée en un mode continu de « dérivation ». La décharge ramènera le débit d'eau au pistolet de pulvérisation lorsque l'opérateur enfonce la gâchette.

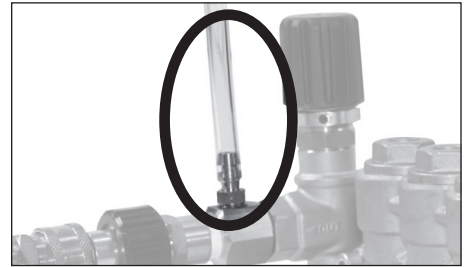


Figure 3 - Injecteur de produit chimique

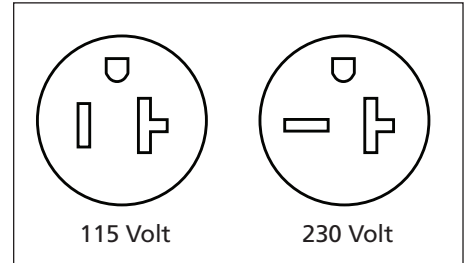


Figure 4 - Sortie du disjoncteur de fuite à la terre

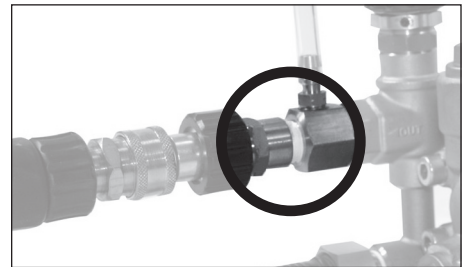


Figure 5 - Sortie haute pression



Figure 6 - Embout ou buses de pulvérisation à raccordement rapide

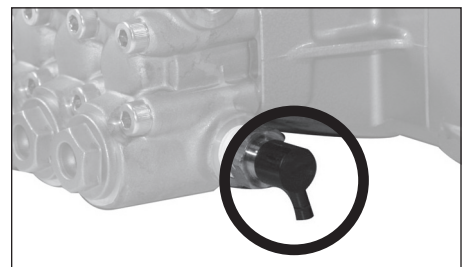


Figure 7 - Soupape de décharge thermique



Apprendre à connaître votre laveuse à pression

UTILISATIONS RECOMMANDÉES  
POUR CETTE LAVEUSE À PRESSION

- ◆ Terrasse
- ◆ Revêtement
- ◆ Véhicules

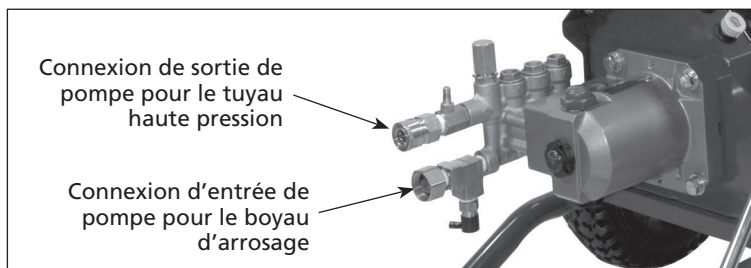


Figure 8 - Composants de laveuse à pression

## Assemblage et préopération

### ASSEMBLAGE ET PRÉOPÉRATION

1. Glissez l'assemblage de poignée sur les pieds inférieurs de la base du chariot. Utilisez le bouton en étoile (fourni) et les boutons pour fixer la poignée aux pieds (voir la figure 9).
2. Glissez le boyau de détergent de plastique transparent sur la barbelure de boyau de laiton (voir Figure 10).
3. Insérez des buses de pulvérisation à branchement rapide dans les supports de caoutchouc à l'avant de la plaque (voir Figure 11).
4. Fixez le tuyau d'arrosage (non inclus) au raccord d'entrée de la pompe (voir Figure 12).
5. Connectez le flexible haute pression à la sortie de la pompe (voir Figure 13).
6. Fixez la lance au pistolet (voir la figure 14).
7. Installez la buse à raccordement rapide (voir la figure 15).



Figure 9 - Assemblez la poignée



Figure 10 - Fixez le tube d'aspiration à la tête

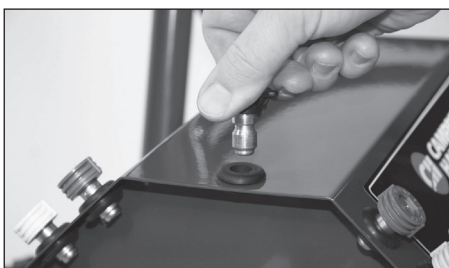


Figure 11 - Insérer des buses de pulvérisation dans le support

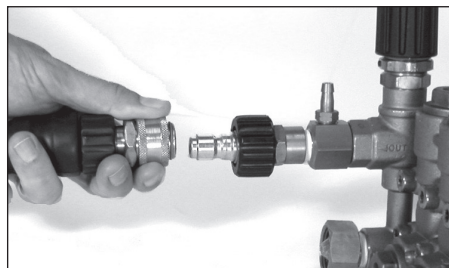


Figure 13 - Raccorder le tuyau haute pression à la pompe

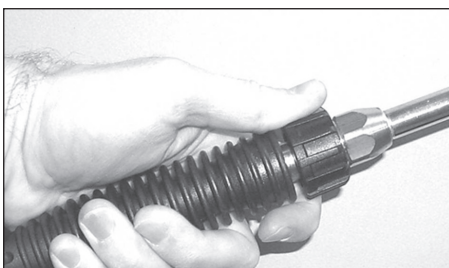


Figure 14 - Fixer la lance au pistolet

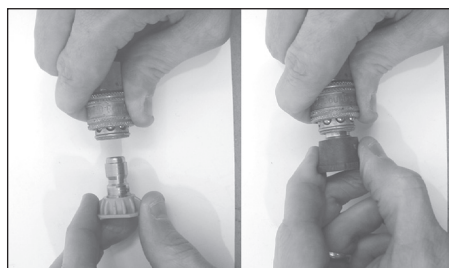


Figure 15 - Buse à raccordement rapide

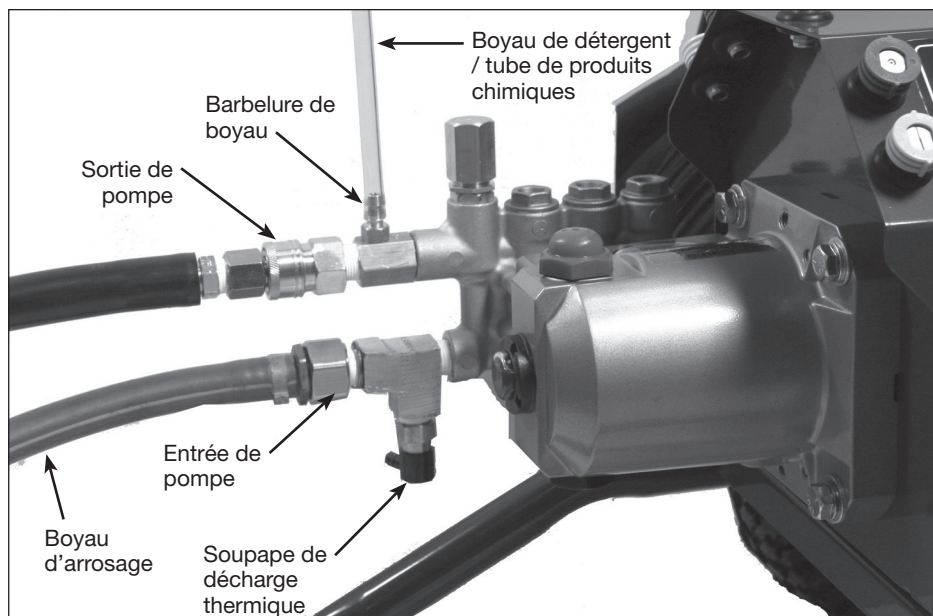


Figure 12 - Raccord de pompe

## Assemblage et préopération (Suite)

### VERROU DE SÉCURITÉ DE LA GÂCHETTE

En position engagée, le verrou de sécurité de la gâchette empêche le déclenchement accidentel du pistolet. Poussez entièrement le verrou vers le bas pour l'engager (voir les figures 16 et 17).

Engagez toujours le verrou de sécurité de la gâchette lorsque vous n'utilisez pas l'appareil.

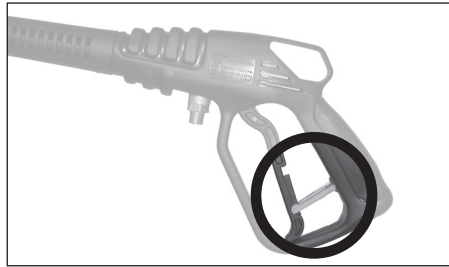


Figure 16 - Gâchette verrouillée



Figure 17 - Gâchette déverrouillée

## Opération

### PRÉPARATION DE LA SURFACE

La procédure de nettoyage suivante vous aide à vous organiser pour la tâche de nettoyage et pour vous assurer d'atteindre les meilleurs résultats dans le temps le plus court. Rappelez-vous d'utiliser les techniques de pulvérisation/ nettoyage mentionnées dans les sections suivantes.

Avant de commencer un travail de nettoyage à haute pression, préparez la surface à nettoyer. Enlevez les meubles et assurez-vous que toutes les fenêtres et portes sont bien fermées. Protégez aussi toutes vos plantes et arbres près du secteur à nettoyer en couvrant d'une toile pour ne pas les pulvériser de détergent.

### DÉMARRAGE

Utilisez TOUJOURS cette procédure de démarrage pour assurer un démarrage exact et sans danger.

#### AVIS

*Si l'eau a gelé dans le pulvérisateur à haute pression, laissez-la dégeler à température ambiante avant de commencer. NE versez PAS d'eau chaude sur ou dans la pompe; les pièces intérieures seraient endommagées.*

1. Assurez-vous que l'interrupteur de courant est à la position « OFF » (arrêt).
2. Fixez un tuyau d'arrosage côté entrée de la pompe et raccordez-le à l'alimentation d'eau. Utilisez un flexible de D.I. de 5/8 po et d'une longueur de 50 pi (15 m) ou moins.

#### ⚠ AVERTISSEMENT

*Certains codes de plomberie locaux exigent un dispositif de prévention de retour d'eau en connectant à une source d'eau fraîche. Installez un dispositif de prévention de retour en amont de la pompe, au besoin.*

- a. Si la pression d'eau d'alimentation dépasse 690 kPa, installez une soupape régulatrice d'eau au raccord du tuyau d'arrosage.
- b. Ne dépassez pas 38° C de température d'eau d'alimentation.

**NOTE :** L'approvisionnement d'eau d'alimentation doit avoir un débit minimum de 19 lpm.

3. Ouvrez l'alimentation d'eau.

#### AVIS

*Ne laissez jamais l'appareil fonctionner à sec. Assurez-vous que l'alimentation d'eau est en marche avant de faire fonctionner l'appareil.*

4. Enfoncez et tenez la gâchette du pistolet jusqu'à ce que la pulvérisation d'eau de la buse indique que tout l'air est sorti du système. Placez le verrou de sécurité de gâchette.
5. Branchez le cordon d'alimentation dans une prise de courant de 120 volts mise à la terre qui est sur un circuit réservé. Enfoncez le bouton de réinitialisation sur l'adaptateur de fiche à disjoncteur de fuite à la terre. Vous devez faire cela chaque fois que l'appareil est branché dans une prise.



## Opération (Suite)

### RINÇAGE INITIAL À HAUTE PRESSION

Pulvérisez d'eau la surface à nettoyer pour enlever toute poussière ou saleté accumulée sur la surface. Ceci permet au détergent de s'attacher à la poussière en profondeur qui a pénétré dans la surface à nettoyer.

Enfoncer la gâchette du pistolet 3 à 5 fois pour sortir tout air enfermé dans le système.

### Ajuster l'angle d'éventail de pulvérisation

Deux buses à raccordement rapide pour le modèle CP5216 ou cinq buses à raccordement rapide pour les modèles CP5211 et CP5321 sont incluses avec cette laveuse à pression. Les buses ont une plage d'angles d'éventail de pulvérisation, allant de 0°, étroit et fort impact, à 65° large éventail de pulvérisation.

La pression s'ajuste aussi en se déplaçant plus près ou plus loin de la surface de nettoyage et en ajustant l'angle d'éventail de pulvérisation tel qu'indiqué.

### Angle à la surface de nettoyage

En pulvérisant l'eau contre une surface, vous pouvez obtenir un impact maximum en frappant la surface directement. Ce type d'impact peut toutefois faire pénétrer les particules de poussières dans la surface et ainsi empêcher d'avoir l'action recherchée.

L'angle optimum de pulvérisation d'eau contre une surface de nettoyage est de 45 degrés.

Pulvérisez l'eau contre une surface à un angle de 45 degrés pour atteindre le meilleur impact et retirer efficacement les débris.

### Distance de la surface à nettoyer

La distance entre l'embout de pulvérisation et la surface de nettoyage est un autre facteur qui affecte la force d'impact de l'eau. La force d'impact de l'eau augmente lorsque l'embout se rapproche de la surface.

### Comment éviter d'endommager les surfaces

Les dommages aux surfaces à nettoyer se produisent à cause de la force d'impact de l'eau qui dépasse la durabilité de la surface. Vous pouvez varier la force d'impact en contrôlant l'angle de la buse de pulvérisation sur la surface de nettoyage et la distance de la surface de nettoyage et en changeant de buse de pulvérisation. N'utilisez JAMAIS de jet étroit à fort impact sur une surface qui pourrait être endommagée. Évitez de pulvériser les fenêtres avec un jet étroit à fort impact. Ceci pourrait casser la fenêtre. Le meilleur moyen d'éviter d'endommager les surfaces est de suivre ces étapes :

1. Avant de tirer le pistolet, assurez-vous que la buse à raccordement rapide que vous utilisez est appropriée pour l'application.
2. Placez la buse de pulvérisation à environ 1,22 à 1,52 m (4 à 5 pieds) de la surface de nettoyage. Tenez ensuite la lance et la buse de pulvérisation à un angle de 45 degrés sur la surface de nettoyage. Tirer de la gâchette du pistolet.
3. Variez l'angle du jet à éventail et la distance à la surface à nettoyer jusqu'à ce que vous atteigniez l'efficacité optimale de nettoyage sans endommager la surface.

### APPLICATION DE DÉTERGENT

**NOTE :** Utilisez seulement les détergents formulés pour les pulvérisateurs haute pression. Testez le détergent dans un endroit retiré avant de l'utiliser.

### Détergents

Utiliser des détergents peut réduire de beaucoup le temps de nettoyage et aider à retirer les taches rebelles. De nombreux détergents sont faits pour le pulvérisateur haute pression pour des tâches de nettoyage précises. Les détergents de pulvérisateur haute pression sont aussi épais que l'eau. Le fait d'utiliser des détergents plus épais - comme le savon de vaisselle - bloquera le système d'injection chimique et empêchera l'application de détergent.

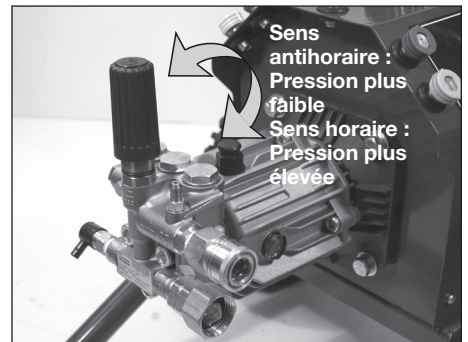


Figure 18 - Ajustement de pression pour le modèle CP5216

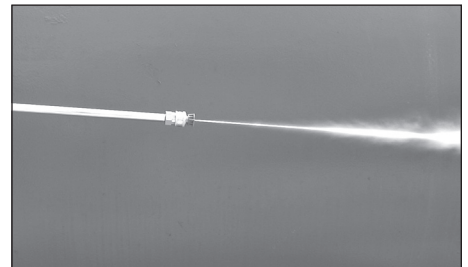


Figure 19 - Jet étroit à fort impact

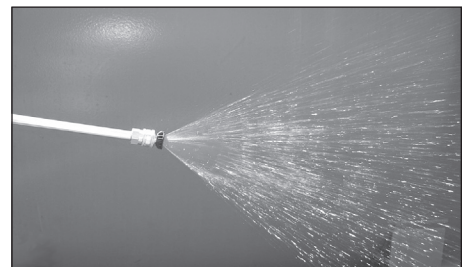


Figure 20 - Motif à éventail large



Figure 21 - Angle optimum par rapport à la surface à nettoyer

## Opération (Suite)

Appliqués sur la surface, les détergents prennent du temps pour s'attaquer à la poussière et à la saleté. Les détergents fonctionnent mieux appliqués à basse pression.

Vous pouvez nettoyer efficacement les surfaces en combinant l'action chimique des détergents avec les rinçages à haute pression. Pour les surfaces verticales, appliquez le détergent en commençant au bas pour aller vers le haut. La méthode empêche le détergent de glisser vers le bas et de faire des coulisses. Commencez le rinçage haute pression au bas et allez vers le haut. Pour les taches particulièrement rebelles, utilisez une brosse en plus des détergents et du rinçage haute pression.

1. Suivez les directives du fabricant sur l'étiquette pour les bonnes concentrations de mélange de savon/détergents. La proportion de détergent savon à eau dans la pompe est d'environ 10% (1 à 10).
2. Insérez l'extrémité du filtre du tube de détergent de plastique transparent dans le contenant de détergent.
3. Utilisez la buse de pulvérisation à raccordement rapide noire de 65°.
4. Ajustez l'écoulement d'injection de détergent en tournant le col de l'injecteur. Tournez la bague dans le sens des aiguilles d'une montre augmente la circulation de détergent.

### Conseils Généraux de Nettoyage

1. Appliquez le détergent pour couvrir entièrement la surface à nettoyer, de bas en haut pour éviter qu'il ne glisse vers le bas et fasse des marques. Attendez quelques minutes pour que le détergent s'attaque à la poussière et à la saleté. Utilisez une brosse pour frotter un peu les endroits rebelles. Ne laissez jamais le détergent sécher sur la surface à nettoyer.
2. Pour rincer : replacez la buse de pulvérisation noire de 65° par une buse d'une autre couleur.

**▲ WARNING** *Ne remplacez jamais la buse de pulvérisation à raccordement rapide lorsque le pistolet est engagé. Engagez toujours le verrou de la gâchette avant de retirer ou d'installer les buses à raccordement rapide.*

3. Après avoir utilisé les détergents, rincez le système d'aspiration en plaçant le tube d'aspiration de détergent dans un seau d'eau propre et rincez en pulvérisant avec la buse de pulvérisation noire.

### PUISSANCE DE NETTOYAGE

Le moyen le plus facile de contrôler la puissance de nettoyage de votre nettoyeur à pression est de changer la distance de la surface à nettoyer. Commencez à pulvériser avec un motif large d'éventail tout en vous plaçant à quelques pieds de la surface. Rapprochez-vous lentement de l'objet que vous nettoyez et ajustez le motif de pulvérisation au besoin jusqu'à ce que vous trouviez la technique de nettoyage la plus efficace.

**REMARQUE** : L'appareil pourrait aussi avoir un bouton d'ajustement de pression sur la pompe qui peut ajuster la pression.

### DERNIER RINÇAGE

Le dernier rinçage devrait commencer du bas vers le haut. Assurez-vous de bien rincer toute la surface et de retirer toute

trace de détergent.

### PROCÉDURE DE DÉCOMPRESSION

Pour réduire les risques de blessures ou de dommages à la propriété, suivez toujours cette procédure lorsque la pulvérisation est arrêtée, à la fin du travail et avant de vérifier ou réparer toute pièce du système.

1. Engagez le verrou de sécurité de la gâchette.
2. Fermez l'appareil.
3. Coupez l'alimentation d'eau.
4. Désengagez le verrou de sécurité de la gâchette et pressez sur la gâchette pour décompresser.
5. Réengagez le verrou de sécurité de la gâchette.
6. En vérifiant ou réparant l'appareil, retirez la fiche de la prise murale du mur.
7. Avant de ranger pour la nuit, un rangement à long terme ou le transport de l'appareil, coupez de l'alimentation d'eau.

### ARRÊT

1. Assurez-vous que tout le détergent est vidé du système.
2. Coupez le moteur.
3. Fermez l'alimentation d'eau.
4. Après avoir coupé le moteur et l'alimentation d'eau, engagez le pistolet pour retirer la pression du système.

#### AVIS

*NE fermez jamais l'alimentation d'eau avant de couper le moteur. Cela pourrait endommager la pompe et/ou moteur.*

#### ▲ ATTENTION

*NE déconnectez jamais le flexible de décharge de haute pression de l'appareil tandis que le système est sous pression. Décompressez en coupant le moteur, fermant l'alimentation d'eau et pressant la gâchette 2 ou 3 fois.*

5. Après chaque utilisation, essuyez les surfaces du pulvérisateur haute pression avec un chiffon propre et humide.

### RANGEMENT

- Ne rangez pas le pulvérisateur haute pression à l'extérieur.
- Ne rangez pas le pulvérisateur haute pression à un endroit où il pourrait geler à moins de le préparer pour l'hiver.

### Instructions Pour L'hiver

1. Déconnectez le flexible haute pression de la pompe.
2. Insérez une longueur de tuyau d'arrosage de 12 à 14 po dans l'entrée de la pompe.
3. Placez un entonnoir dans l'autre extrémité du tuyau d'arrosage.

#### AVIS

*Lisez les instructions du fabricant pour manipuler et éliminer correctement l'antigel RV.*

4. Versez environ 0,18 L d'antigel RV dans l'entonnoir.
5. Secouez un peu l'interrupteur marche/arrêt jusqu'à ce que l'antigel RV sorte de la sortie de la pompe.



## Opération (Suite)

6. Déconnectez le flexible haute pression du pistolet et drainez le flexible. Tenez le pistolet et la tige en position verticale et pressez la gâchette pour drainer toute l'eau.

### CONSEILS POUR PROLONGER LA DURÉE DE VIE DE VOTRE PULVERIZATEUR HAUTE PRESSION

1. Ne faites jamais fonctionner l'appareil sans eau.
2. Votre pulvérisateur haute pression ne doit pas pomper d'eau chaude. Ne connectez jamais votre pulvérisateur haute pression à une source d'eau chaude car cela réduira de beaucoup la vie de la pompe.
3. Faire fonctionner l'appareil pendant plus d'une minute sans pulvériser d'eau fera accumuler la chaleur dans la pompe. Faire fonctionner l'appareil sans pulvériser d'eau pourrait endommager les composants de la pompe.

## Entretien

Respectez les intervalles d'entretien régulier pour assurer une performance maximum et une longue durée de vie du pulvérisateur. Reportez-vous à l'horaire d'entretien recommandé. Si vous faites fonctionner votre pulvérisateur haute pression dans des conditions poussiéreuses, faites les vérifications d'entretien plus souvent.

### HORAIRE D'ENTRETIEN

Horaire d'entretien	Action nécessaire
Chaque jour	Vérifiez le tamis d'entrée d'eau et le filtre

### INFORMATION TECHNIQUE ET POUR LES CONSOMMATEURS

Laveuses à pression à orientation horizontale	
<b>Capacité d'huile de la pompe</b>	
ARX5V	Huile de 0,133 l (4,5 oz liq)
2DX et 3DNX	Huile de pompe CAT de 0,25 l (8,5 oz liq)
<b>Aspiration de détergent de la pompe</b>	
Rapport d'eau à détergent	10 à 1 (10 % détergent)
<b>Exigences d'alimentation d'air</b>	
Pression d'entrée minimale	138 kPa (20 lb/po <sup>2</sup> )
Pression d'entrée maximale	690 kPa (100 lb/po <sup>2</sup> )
Température d'entrée maximale	37,7 °C (100 °F)
Débit d'entrée minimal	5 g/min (19 l/min)
Taille de boyau d'arrosage d'entrée	15,9 mm (5/8 po) de D.I.
Longueur de boyau d'arrosage d'entrée maximale	15,24 m (50 pi)

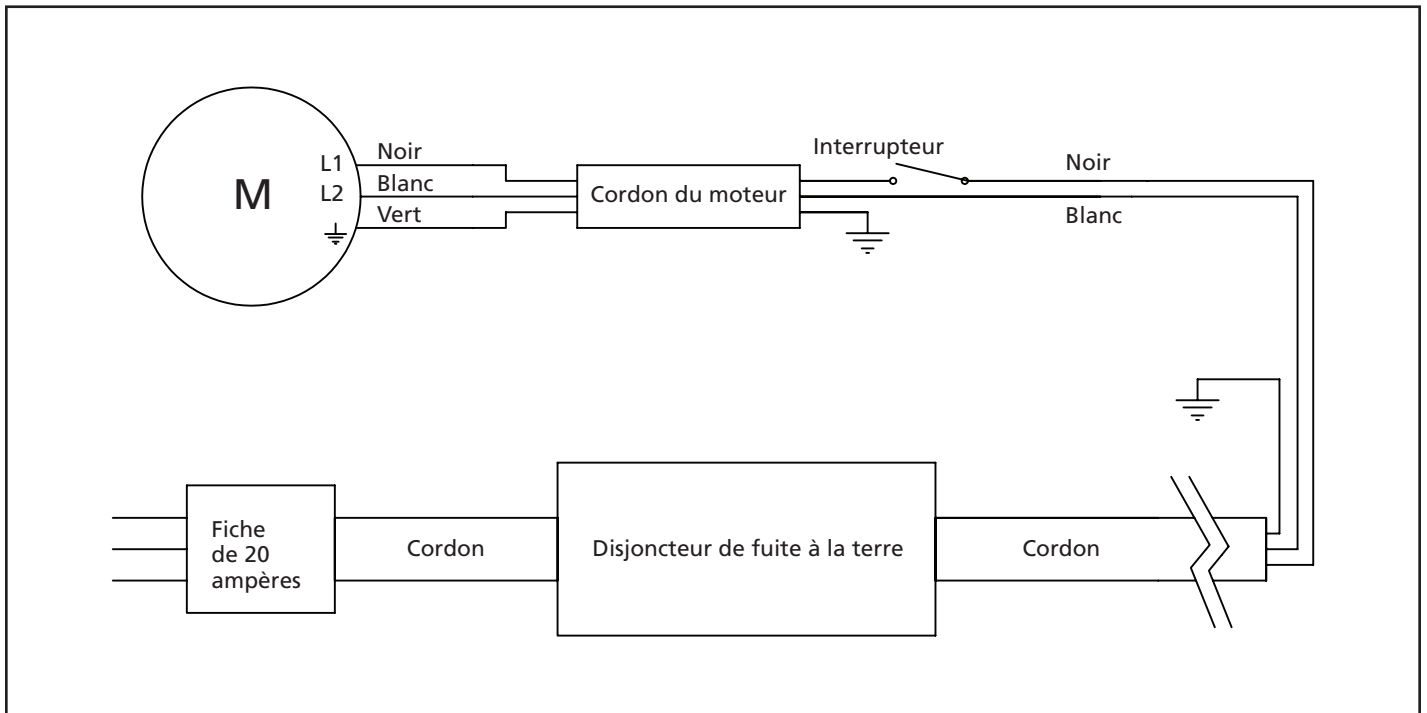


Figure 22 - diagramme de câblage de 115 V

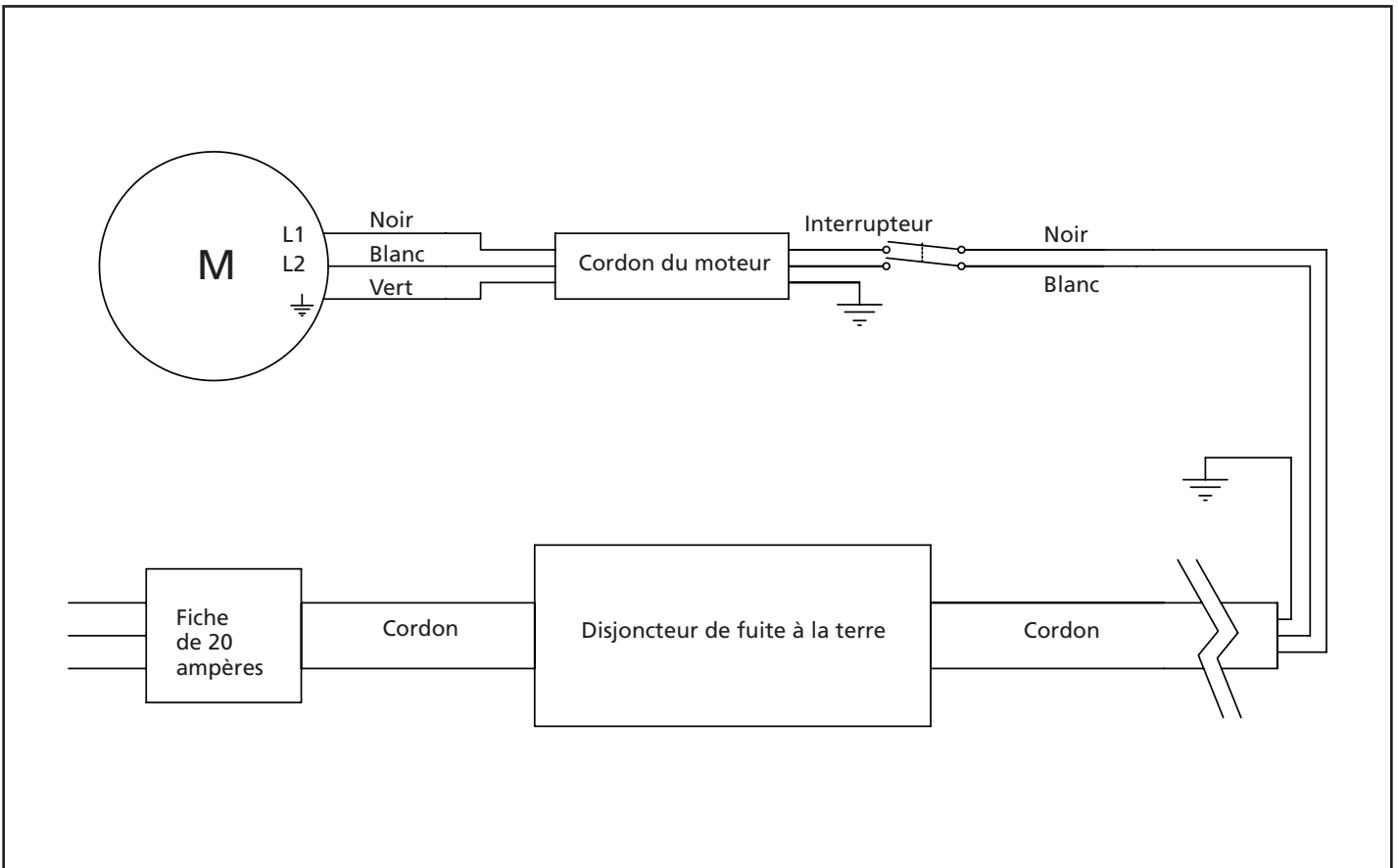


Figure 23 - diagramme de câblage de 230 V

## Guide de dépannage

SYMPTÔME	CAUSE(S) POSSIBLE(S)	ACTION CORRECTIVE
Faible pression et/ou pompe tourne de manière irrégulière	<ol style="list-style-type: none"> <li>1. Embout usé ou de mauvaise taille</li> <li>2. Filtre d'entrée de la pompe bloquée</li> <li>3. Joints hydrauliques usés, abrasifs dans l'eau ou usure normale</li> <li>4. Entrée ou soupapes de décharge polluées ou sales</li> <li>5. Entrée restreinte</li> <li>6. Entrée ou soupapes de décharge usées</li> <li>7. Fuite de flexible haute pression</li> <li>8. Pompe aspire de l'air</li> <li>9. Joint de soupape de décharge défectueux ou usé</li> </ol>	<ol style="list-style-type: none"> <li>1. Remplacez en utilisant un embout de la bonne taille</li> <li>2. Nettoyez. Vérifiez plus souvent</li> <li>3. Vérifiez le filtre. Remplacez les joints hydrauliques. Consultez le centre de réparations</li> <li>4. Nettoyez les assemblages de soupape de décharge et d'entrée. Vérifiez le filtre</li> <li>5. Vérifiez le tuyau d'arrosage qui pourrait être enfoncé ou tortillé. Vérifiez le débit d'eau d'entrée</li> <li>6. Remplacez les soupapes usées</li> <li>7. Remplacez le flexible haute pression</li> <li>8. Assurez-vous que les tuyaux et raccords soient bien serrés</li> <li>9. Vérifiez et remplacez</li> </ol>
Fuite d'eau sous le collecteur de pompe	Joints hydrauliques usés	Installez de nouveaux joints hydrauliques. Consultez le centre de réparations.
De l'eau dans le carter de la pompe (huile crémeuse)	<ol style="list-style-type: none"> <li>1. Condensation d'air humide dans le carter</li> <li>2. Fuites d'huile</li> </ol>	<ol style="list-style-type: none"> <li>1. Changez l'huile tel qu'indiqué dans l'horaire d'entretien</li> <li>2. Installez de nouveaux joints d'huile. Consultez le centre de réparations.</li> </ol>
Défaillance fréquente ou prématurée des joints hydrauliques de la pompe	<ol style="list-style-type: none"> <li>1. Pistons usés ou endommagés et rayés</li> <li>2. Matériau abrasif dans le fluide</li> <li>3. Température d'eau d'entrée trop élevée</li> <li>4. Surpression de la pompe</li> <li>5. Trop de pression suite à un embout endommagé ou partiellement bloqué</li> <li>6. Pompe tourne trop longtemps sans pulvériser</li> <li>7. Pompe tourne à sec</li> </ol>	<ol style="list-style-type: none"> <li>1. Installez de nouveaux pistons. Consultez le centre de réparations.</li> <li>2. Installez la bonne filtration sur la plomberie d'entrée de la pompe</li> <li>3. Vérifiez la température de l'eau; ne doit pas dépasser 38°C.</li> <li>4. Ne modifiez pas les réglages en usine</li> <li>5. Nettoyez ou remplacez l'embout</li> <li>6. Ne faites jamais fonctionner la pompe pendant plus de 2 minutes sans pulvériser</li> <li>7. Ne pompez pas sans eau</li> </ol>
Forte pompage à l'entrée et faible pression	Particules étrangères dans la soupape d'entrée ou de décharge ou soupapes de décharge et/ou entrée usées	Nettoyez ou remplacez les soupapes. Consultez le centre de réparations.
Fuite d'huile entre le moteur et la pompe	Joints d'huile et/ou joint torique usés	Remplacez les joints d'huile et/ou joints toriques. Consultez le centre de réparations.
Pression fluctuante	<ol style="list-style-type: none"> <li>1. Soupape usée, sale ou bloquée</li> <li>2. Pompe aspire de l'air</li> <li>3. Embout bloqué</li> </ol>	<ol style="list-style-type: none"> <li>1. Vérifiez et remplacez</li> <li>2. Assurez-vous que les flexibles et raccords sont serrés. Drainez l'air du tuyau d'arrosage</li> <li>3. Vérifiez ou remplacez</li> </ol>
Chutes de pression après la période d'utilisation normale	<ol style="list-style-type: none"> <li>1. Joints hydrauliques de pompe usés</li> <li>2. Gicleur usé</li> <li>3. Soupape usée, sale ou bloquée</li> <li>4. Joint de soupape de décharge usé ou sale</li> <li>5. Embout en position de faible kPa</li> </ol>	<ol style="list-style-type: none"> <li>1. Vérifiez et remplacez</li> <li>2. Vérifiez et remplacez</li> <li>3. Vérifiez, nettoyez ou remplacez</li> <li>4. Vérifiez, nettoyez ou remplacez</li> <li>5. Reculez l'embout à la position de haute pression</li> </ol>

## Guide de dépannage

SYMPTÔME	CAUSE(S) POSSIBLE(S)	ACTION CORRECTIVE
Laveuse à pression ne démarre pas	<ol style="list-style-type: none"> <li>1. Le disjoncteur de fuite à la terre s'est déclenché.</li> <li>2. La fiche n'est pas bien branchée ou la prise électrique est défectueuse</li> <li>3. Rallonge trop longue ou taille du fil trop petite</li> <li>4. Alimentation de tension principale trop basse</li> <li>5. L'interrupteur de sécurité thermique a été déclenché</li> </ol>	<ol style="list-style-type: none"> <li>1. Enfoncez le bouton de réinitialisation sur la fiche</li> <li>2. Vérifiez la fiche, la douille et les fusibles</li> <li>3. Retirez la rallonge</li> <li>4. Vérifier que la tension d'alimentation principale est suffisante</li> <li>5. Éteignez l'appareil et laissez le moteur refroidir</li> </ol>
Le moteur s'arrête soudainement	<ol style="list-style-type: none"> <li>1. Rallonge trop longue ou taille du fil trop petite</li> <li>2. L'interrupteur de sécurité thermique a été déclenché à cause de surchauffe</li> </ol>	<ol style="list-style-type: none"> <li>1. Retirez la rallonge</li> <li>2. Vérifiez que la tension d'alimentation principale correspond aux spécifications</li> </ol>
L'appareil commence à fumer	Moteur surchauffé, surchargé ou endommagé	Éteignez l'appareil et appelez 1-800-330-0712
Pompe bruyante/pompe fonctionne de manière irrégulière	<ol style="list-style-type: none"> <li>1. Pompe aspire de l'air/faible alimentation d'eau</li> <li>2. Soupapes sales ou usées</li> <li>3. Roulements usés</li> <li>4. Eau trop chaude</li> </ol>	<ol style="list-style-type: none"> <li>1. Assurez-vous que les raccords sont bien serrés. Augmentez la pression d'eau</li> <li>2. Vérifiez, nettoyez ou remplacez</li> <li>3. Vérifiez et remplacez</li> <li>4. Réduisez la température sous 38°C</li> </ol>
Ne tire pas de détergent	<ol style="list-style-type: none"> <li>1. N'utilise pas la buse de savon</li> <li>2. Blocage, tortillement ou trou dans le flexible d'aspiration du détergent</li> <li>3. Flexible trop long</li> <li>4. Le jet ne fonctionne pas correctement</li> </ol>	<ol style="list-style-type: none"> <li>1. Installez une buse de savon de 65 degrés (noire)</li> <li>2. Si c'est propre, étirez ou remplacez le flexible.</li> <li>3. Utilisez seulement la longueur fournie lors de l'achat initial du pulvérisateur haute pression. L'aspiration de détergent ne fonctionne pas si plus d'une section de flexible est fixé à l'appareil.</li> <li>4. Retirez le jet du pistolet. Si le détergent est distribué par le pistolet, le jet doit être remplacé. Si aucun détergent n'est distribué par le pistolet, retirez 1 po de tétine de détergent effilée de la pompe. Nettoyez la tétine et assurez-vous que la boule et le ressort soient bien alignés avec la partie effilée du ressort face à la boule. La boule devrait être sur le ressort.</li> </ol>

**Pour pièces de rechange ou assistance technique, appeler 1-800-330-0712**

*S'il vous plaît fournir l'information suivante :*

- Numéro de modèle
- Code imprimé sur l'outil
- Description de la pièce et son numéro

*Adresser toute correspondance à :*

Campbell Hausfeld  
Attn: Customer Service  
100 Production Drive  
Harrison, OH 45030 U.S.A.

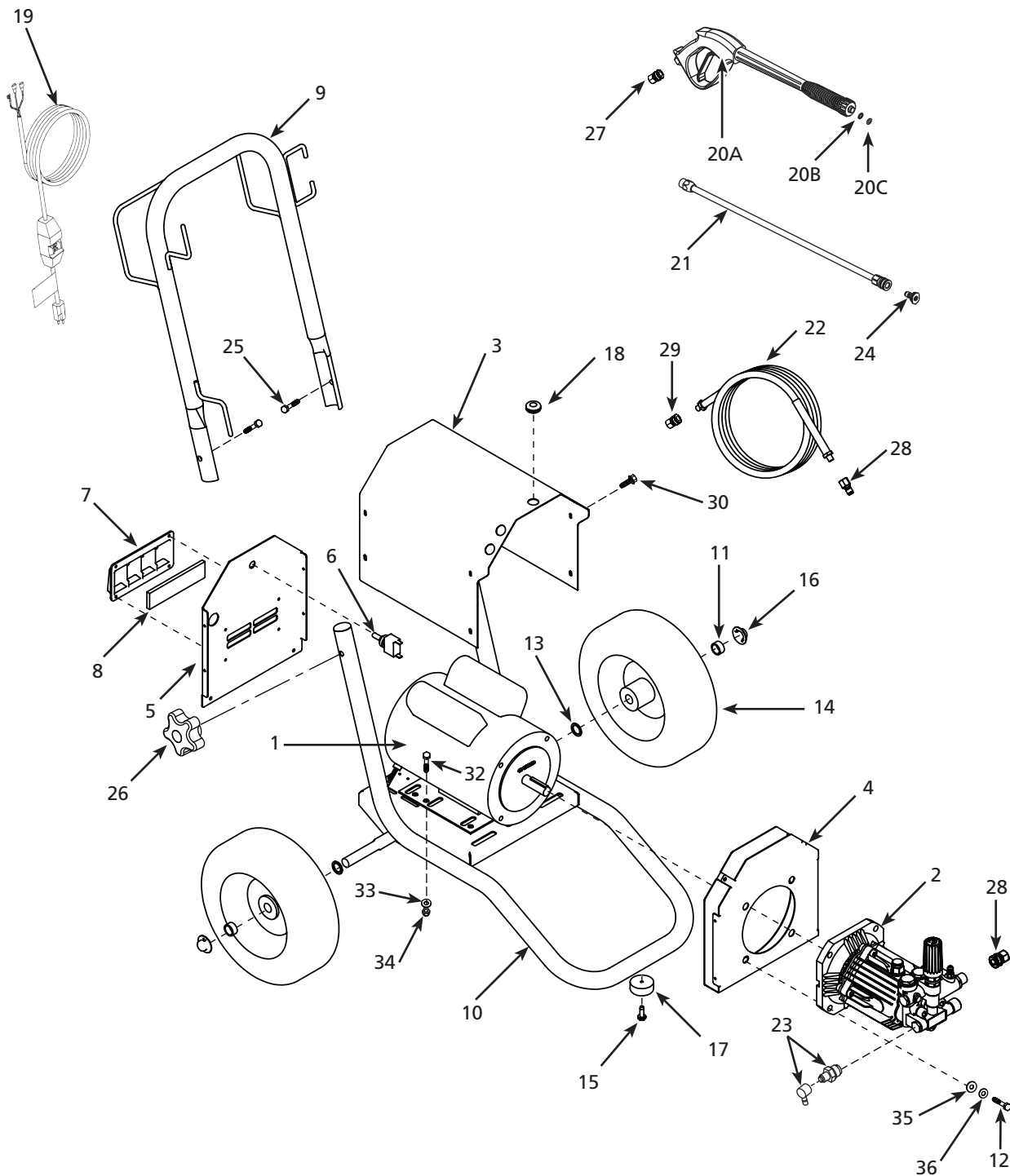


Figure 24 – Illustration des pièces de réparation



## Liste de pièces de rechange

No. de Ref.	Description	CP5211	CP5216	CP5321	Qté.
1	Moteur	MC031000AV	MC031000AV	MC031001AV	1
2	Pompe	PM351171SJ	PM351170SJ	PM351172SJ	1
3	Couvercle de moteur	PM351173SJ	PM351173SJ	PM351174SJ	1
4	Déflexeur	PM351102JJ	PM351102JJ	PM351102JJ	1
5	Couvercle arrière	PM351103JJ	PM351103JJ	PM351107JJ	1
6	Interrupteur	PM351179SJ	PM351179SJ	PM351180SJ	1
7	Persienne	PM351128AV	PM351128AV	PM351128AV	1
8	Filtre à air	PM351129AV	PM351129AV	PM351129AV	1
9	Manche	PM351023JJ	PM351023JJ	PM351023JJ	1
10	Chariot	PM351175SJ	PM351175SJ	PM351176SJ	1
11	Entretoise	AL007001AV	AL007001AV	AL007001AV	2
12	Boulon - 9,5 mm (3/8 po) - 16 x 31,7 mm (1,25 po)	*	*	*	4
13	Rondelle	ST090200AV	ST090200AV	ST090200AV	2
14	Roue pneumatique	WA005620AV	WA005620AV	WA005620AV	2
15	Vis	MJ102100AV	MJ102100AV	MJ102100AV	1
16	Écrou Pal	AL066300AV	AL066300AV	AL066300AV	2
17	Parechocs en caoutchouc	AL062300AV	AL062300AV	AL062300AV	1
18	Passe-fil de caoutchouc	MJ110200AV	MJ110200AV	MJ110200AV	5
19	Assemblage de cordon	PM351177SJ	PM351177SJ	PM351178SJ	1
20A	Pistolet	PM005136AV	PM005136AV	PM005136AV	1
20B	Joint torique de pistolet	PM345402SJ	PM345402SJ	PM345402SJ	1
20C	Joint torique de soutien de pistolet	PM232211SJ	PM232211SJ	PM232211SJ	1
21	Lance	PM035120AV	PM035120AV	PM035120AV	1
22	Tuyau 7,62 m (25 pi)	PM005010AV	PM005010AV	PM005010AV	1
23	Assemblage de décharge thermique	PM245100AV	PM005406AV	PM005406AV	1
24	Buses à raccordement rapide				
	Buse - 0 deg	PM351120AV	PM351120AV	PM039870AV	1
	Buse - 15 deg	PM351121AV	PM351121AV	PM039880AV	
	Buse - 25 deg	PM351122AV	PM351122AV	PM039890AV	
	Buse - 40 deg	PM351123AV	PM351123AV	PM039900AV	
	Buse - Savon	PM039820AV	PM039820AV	PM039820AV	
25	Boulon de carrosserie de 7,9 mm (5/16 po) - 18 x 57,1 mm (2,25 po)	MJ103305AV	MJ103305AV	MJ103305AV	2
26	Bouton en forme d'étoile	PM080900AV	PM080900AV	PM080900AV	2
27	Raccordement rapide - Pistolet	PM068060AV	PM068060AV	PM068060AV	1
28	Raccordement rapide - Pompe et Tuyau	PM068070AV	PM068070AV	PM068070AV	2
29	Raccordement rapide - Tuyau	PM068066AV	PM068066AV	PM068066AV	1
30	Vis - n° 8 - 18 autotaraudeuse	MJ106100AV	MJ106100AV	MJ106100AV	14
31	Tube de produits chimiques (Pas indiqué)	PM013800AV	PM013800AV	PM013800AV	1
32	Boulon de 7,9 mm (5/16 po) - 18 x 19 mm (3/4 po)	ST016000AV	ST016000AV	ST016000AV	4
33	Rondelle plate de 5/16 po (7,9 mm)	ST070930AV	ST070930AV	ST070930AV	4
34	Écrou hex 5/16 po (7,9 mm) - 18	AL014000AV	AL014000AV	AL014000AV	4
35	Rondelle plate de 3/8 po (9,5 mm)	ST070913AV	ST070913AV	ST070913AV	4
36	Rondelle de blocage de 3/8 po (9,5 mm)	ST071011AV	ST071011AV	ST071011AV	4
*	Article normal de quincaillerie				

**Mémento:** *Gardez votre preuve datée d'achat à fin de la garantie! Joignez-la à ce manuel ou classez-la dans un dossier pour plus de sécurité.*

---

## Garantie Limitée

1. DURÉE: À partir de la date d'achat par l'acheteur originel comme suit: Trois (3) ans d'appareil de laveuse à pression, deux (2) ans de pompe et moteur et 90 jours pour les articles d'usure.
2. GARANTIE ACCORDÉE PAR (GARANT): Campbell Hausfeld / Scott Fetzer Company, 100 Production Drive, Harrison, OH 45030, Téléphone: (800) 330-0712.
3. BÉNÉFICIAIRE DE CETTE GARANTIE (ACHETEUR): L'acheteur originel (sauf en cas de revente) du pulvérisateur de lavage Campbell Hausfeld.
4. PRODUITS COUVERTS PAR CETTE GARANTIE: Tous les Pulvérisateurs de Lavage Campbell Hausfeld qui sont fournis ou fabriqués par le Garant.
5. COUVERTURE DE LA PRÉSENTE GARANTIE: Défauts de matière et de fabrication considérables qui se révèlent pendant la période de validité de la garantie avec les exceptions indiquées ci-dessous.
6. LA PRÉSENTE GARANTIE NE COUVRE PAS:
  - A. Les garanties implicites, y compris celles de commercialisabilité et D'ADAPTION À UNE FONCTION PARTICULIÈRE SONT LIMITÉES À PARTIR DE LA DATE D'ACHAT INITIALE TELLE QU'INDIQUÉE DANS LA SECTION DURÉE. Quelques Provinces (États) n'autorisent pas de limitations de durée pour les garanties implicites. Les limitations précédentes peuvent donc ne pas s'appliquer.
  - B. TOUT DOMMAGE, PERTE OU DÉPENSE FORTUIT OU INDIRECT POUVANT RÉSULTER DE TOUT DÉFAUT, PANNE OU MAUVAIS FONCTIONNEMENT DU PULVÉRISATEUR CAMPBELL HAUSFELD. Quelques Provinces (États) n'autorisent pas l'exclusion ni la limitation des dommages fortuits ou indirects. La limitation ou exclusion précédente peut donc ne pas s'appliquer.
  - C. Toute panne résultant d'un accident, de dommage pendant l'expédition, d'une utilisation abusive, de la négligence ou d'une utilisation ne respectant pas les instructions données dans le(s) manuel(s) accompagnant le produit.
  - D. Service avant livraison; montage, huile ou lubrifiants, et réglages par exemple.
  - E. Articles ou service normalement requis pour l'entretien du pulvérisateur de lavage.
  - F. Articles additionnels qui ne sont pas couverts sous cette garantie:
    1. Articles d'usure normal tels que; tuyaux haute pression, joints d'huile et hydrauliques, joints toriques, soupapes, lances, et buses de pulvérisation.
    2. Brosses de moteur (Modèles électriques seulement).
    3. Les défauts esthétiques qui n'affectent pas la fonction.
    4. Pièces détachées rouillées.
    5. Usure de la pompe ou le dommage aux soupapes causé par l'utilisation de type d'huile incorrect, la contamination de l'huile ou par le manque de suivre les directives d'entretien d'huile.
7. RESPONSABILITÉS DU GARANT AUX TERMES DE CETTE GARANTIE: Réparation ou remplacement, au choix du Garant, du pulvérisateur de lavage ou de pièce détachée qui se sont révélés défectueux pendant la durée de la garantie.
8. RESPONSABILITÉS DE L'ACHETEUR AUX TERMES DE CETTE GARANTIE:
  - A. Fournir une preuve d'achat datée et un état d'entretien.
  - B. La livraison ou expédition du pulvérisateur de lavage ou pièce détachée Campbell Hausfeld au Centre De Service Autorisé Campbell Hausfeld. Taux de frais, si applicables, sont la responsabilité de l'acheteur.
  - C. Utilisation et entretien du pulvérisateur de lavage avec un soin raisonnable, ainsi que le décri(vent)t le(s) manuel(s) d'utilisation.
9. RÉPARATION OU REMPLACEMENT EFFECTUÉ PAR LE GARANT AUX TERMES DE LA PRÉSENTE GARANTIE: La réparation ou le remplacement sera prévu et exécuté en fonction de la charge de travail dans le centre de service et dépendra de la disponibilité des pièces de rechange.

Cette Garantie Limitée s'applique aux É.-U., au Canada et au Mexique seulement et vous donne des droits juridiques précis. L'acheteur peut également jouir d'autres droits qui varient d'une Province, d'un État ou d'un Pays à l'autre.



# *Lavadoras a presión con motor a gasolina*

Manual de Instrucciones y Lista de Piezas

**CP5211**  
**CP5216**  
**CP5321**



ENGLISH: Page 1  
FRANÇAISE: Page Fr1

IN469800AV 6/09  
2009 Campbell Hausfeld/Scott Fetzer



**MAKES IT EASY TO DO IT LIKE A PRO**

**chpower.com**

Download from [www.Somanuals.com](http://www.Somanuals.com). All Manuals Search And Download.

## Índice

---

Índice .....	Sp2	<b>Funcionamiento .....</b>	<b>Sp11</b>
<b>Por Información Sobre Piezas, Productos y Servicios.....</b>	<b>Sp2</b>	Preparación de Superficie .....	Sp11
Descripción .....	Sp3	Encendido .....	Sp11
Especificaciones .....	Sp3	Ajuste del ángulo de rociado ....	Sp12
Medidas de Seguridad .....	Sp4	Ángulo con respecto a la superficie a limpiar.....	Sp12
Símbolos de Seguridad .....	Sp4	Distancia a la superficie de limpieza .....	Sp12
<b>Importantes Instrucciones De Seguridad .....</b>	<b>Sp4</b>	Cómo evitar daños a la superficie .....	Sp12
Instrucciones En Referencia Al Peligro De Incendios, Choque Eléctrico O Lesiones Personales.....	Sp4	Aplicación de Detergente.....	Sp12
Proposición 65 de California .....	Sp4	Detergentes .....	Sp12
General .....	Sp4	Consejos generales de limpieza..	Sp13
Área de Trabajo.....	Sp4	Poder de Limpieza.....	Sp13
Seguridad Personal .....	Sp4	procedimiento de Liberación de Presión .....	Sp13
Seguridad Eléctrica .....	Sp5	Apagado .....	Sp13
Instrucciones de Conexión a Tierra .....	Sp5	Almacenamiento .....	Sp13
Uso y Cuidado de la Herramienta ..	Sp5	Instrucciones de preparación para el invierno .....	Sp13
<b>Preguntas Frecuentes .....</b>	<b>Sp6</b>	Consejos para Prolongar la Vida de su Lavadora a Presión .....	Sp14
Servicio .....	Sp6	<b>Mantenimiento .....</b>	<b>Sp14</b>
<b>Desempaque .....</b>	<b>Sp7</b>	Planificación del Mantenimiento..	Sp14
Contenido de la Caja .....	Sp7	Información Técnica y Para el Consumidor.....	Sp14
Artículos Adicionales no Incluidos..	Sp7	<b>Tabla de Identificación de Problemas.....</b>	<b>Sp16</b>
<b>Glosario.....</b>	<b>Sp8</b>	<b>Lista de Piezas de Repuesto .....</b>	<b>Sp19</b>
<b>Conozca su Lavadora a Presión .....</b>	<b>Sp9</b>	<b>Garantía Limitada.....</b>	<b>Sp20</b>
Usos Recomendados para esta Lavadora a Presión.....	Sp9		
<b>Ensamblaje y Antes del Funcionamiento .....</b>	<b>Sp10</b>		
Ensamblaje y Antes del Funcionamiento.....	Sp10		
Seguro del Gatillo.....	Sp11		

---

### Por Información Sobre Piezas, Productos y Servicios

**Llame:** Atención al cliente al 1-800-330-0712

**Dirija toda la correspondencia a:** Campbell Hausfeld  
Attn: Customer Service  
100 Production Drive  
Harrison, OH 45030 U.S.A.



# Lavadoras a presión con motor a gasolina



## Descripción

Estas potentes y duraderas lavadoras a presión eléctricas están diseñadas para proyectos industriales en talleres de mantenimiento, granjas, establos, cocinas comerciales, negocios de serigrafía, sobre equipos pesados, y más. Están aprobadas por ETL que cumple con las normas UL y CSA.

El motor de inducción para trabajo pesado funciona silenciosa y eficientemente y sin emisiones de combustible. Está cubierto con pintura pulverizada para proteger y prolongar la vida útil de la unidad, y proporciona almacenamiento para boquillas. La bomba de grado comercial tiene pistones de cerámica que proporcionan una larga vida a la bomba. La bomba y el motor están montados en un carro con estructura de acero resistente cubierta con pintura pulverizada. El carro cuenta con ruedas neumáticas y un mango plegable para un almacenamiento compacto. La pistola/lanza, la manguera de alta presión y el cable de energía se guardan prolijamente en el carro.



Figura 1 - Modelos CP5211, CP5216 y CP5321

## Especificaciones

**Modelo CP5211**  
2CP CAT 2DX

115 voltios

Boquilla N.º 2.0

**Presión:** 137,9 bar (2000 psi )

**Flujo:** 5,7 l/m (1,5 GPM)

**Modelo CP5216**  
2CP AR XJV

115 voltios

Boquilla N.º 2.0

**Presión:** 131 bar (1900 psi)

**Flujo:** 5,7 l/m (1,5 GPM)

**Modelo CP5321**  
5CP CAT 3DNX

230 voltios

Boquilla N.º 3.0

**Presión:** 199,9 bar (2900 psi)

**Flujo:** 9,5 l/m (2,5 GPM)

Sírvase registrar el N° de modelo y el N° de serie para usarlos cuando se ponga en contacto con el fabricante:

N° de modelo: \_\_\_\_\_

N° de serie: \_\_\_\_\_

Fecha de compra: \_\_\_\_\_

Lugar de compra: \_\_\_\_\_

For information about this product,  
call 1-800-330-0712.



## Medidas de Seguridad

Este manual contiene información que es muy importante que se conozca y comprenda. Esta información se proporciona con fines de SEGURIDAD y para EVITAR PROBLEMAS CON EL EQUIPO. Para ayudar a reconocer esta información, observe los siguientes símbolos.

**▲ PELIGRO** Peligro indica una situación inminentemente peligrosa, que si no se evita, dará como resultado la muerte o lesiones graves.

**▲ ADVERTENCIA** Advertencia indica una situación potencialmente peligrosa, que si no se evita, PODRÍA ocasionar la muerte o lesiones graves.

**▲ PRECAUCION** Precaución indica una situación potencialmente peligrosa, que si no se evita, PUEDE dar como resultado lesiones leves o moderadas.

**AVISO** Aviso indica una información importante, que de no seguirla, le podría ocasionar daños al equipo.

**IMPORTANTE:** información que requiere atención especial.

## Símbolos de Seguridad

Los siguientes símbolos de seguridad aparecen a lo largo de este manual para advertirle de importantes peligros y precauciones de seguridad.



Lea primero el manual



Riesgo de explosión



Riesgo de incendio



Riesgo de caída



Riesgo de lesiones personales



Use protección para los ojos y los oídos



Riesgo de choque eléctrico

## Importantes Instrucciones De Seguridad

### INSTRUCCIONES EN REFERENCIA AL PELIGRO DE INCENDIOS, CHOQUE ELÉCTRICO O LESIONES PERSONALES

Este manual contiene información sobre seguridad, funcionamiento y mantenimiento. Si tiene preguntas, llame al 1-800-330-0712 para obtener asistencia al cliente.

**▲ ADVERTENCIA** Cuando se usen herramientas, siempre se deberán seguir precauciones básicas, incluyendo las siguientes:

### PROPOSICIÓN 65 DE CALIFORNIA

**▲ ADVERTENCIA** Este producto o su cable de corriente pueden contener químicos, incluido plomo, que es conocido por el Estado de California como causante de cáncer y defectos de nacimiento u otros daños reproductivos. Lávese las manos después de manipularlo.

### GENERAL

- Para reducir el riesgo de choque eléctrico, incendio y lesiones personales, lea todas las instrucciones antes de usar la herramienta. Si no respeta las advertencias, los riesgos y las recomendaciones, eso podría resultar en la MUERTE o en LESIONES GRAVES.
- Familiarícese con los controles y el uso adecuado del equipo. Siga todas las instrucciones. Póngase en contacto con su representante Campbell Hausfeld si tiene alguna pregunta.
- Sólo se les debe permitir usar esta unidad a aquellas personas bien familiarizadas con estas reglas de manejo seguro.
- Cumpla con todos los códigos de seguridad así como también con la Ley de salud y seguridad ocupacional (OSHA).



### ÁREA DE TRABAJO

- Mantenga a todas las personas alejadas del área de funcionamiento.
- Mantenga el área de trabajo limpia y bien iluminada. Los bancos desordenados y las áreas oscuras aumentan el riesgo de choque eléctrico, incendio y lesiones personales.
- No haga funcionar la herramienta en entornos explosivos, como por ejemplo cuando haya polvo, líquidos o gases inflamables. La herramienta puede crear chispas y provocar la ignición de polvo o vapores.
- NUNCA rocíe líquidos inflamables ni use la lavadora a presión en áreas que contengan polvo, líquidos o vapores combustibles.
- Nunca ponga esta máquina en funcionamiento en un edificio cerrado o dentro o cerca de un entorno explosivo.



### SEGURIDAD PERSONAL

- Manténgase alerta. Mire lo que está haciendo y use el sentido común cuando haga funcionar la herramienta. No use la herramienta si está cansado o bajo la influencia de drogas, alcohol o medicamentos. Un momento de desatención mientras hace funcionar la herramienta aumenta el riesgo de lesiones personales.
- Vístase adecuadamente. No use alhajas ni vestimenta suelta. Sujétese el cabello largo. Mantenga el cabello, vestimenta y guantes alejados de las piezas móviles. La vestimenta suelta, las alhajas o el cabello largo aumentan el riesgo de lesiones personales como resultado de quedar atrapados en las piezas móviles.
- No intente alcanzar lugares alejados. Mantenga un buen soporte y equilibrio en todo momento. Un soporte y equilibrio adecuados permiten un mejor control de la herramienta en situaciones inesperadas.



**▲ ADVERTENCIA** Riesgo de inyección o lesiones graves. Manténgase alejado de la boquilla. No descargue chorros hacia las personas.

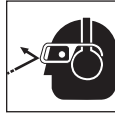
Este producto está diseñado para que lo usen únicamente operadores capacitados. Siempre retire la lanza de la pistola antes de limpiar los residuos de la boquilla.



## Importantes Instrucciones De Seguridad (Continuación)

- d. Manténgase alejado de la boquilla. NUNCA dirija el rociado de alta presión a ninguna persona, animal ni a usted mismo.
- e. NUNCA coloque la mano ni los dedos sobre la boquilla de rociado mientras opera la unidad.
- f. NUNCA intente detener ni desviar las pérdidas con partes de su cuerpo.

**⚠ ADVERTENCIA** *Asegurarse de que la herramienta se use únicamente cuando el operador y todo el resto del personal en el área de trabajo estén usando equipo de protección ocular ANSI Z87, y cuando sea necesario, demás equipo de protección adecuado como para la protección de la cabeza, protección auditiva, guantes, botas de goma, ropa de protección al operar el equipo y realizar el mantenimiento. Pueden ocasionarse lesiones graves o permanentes de ojos y oídos.*



## SEGURIDAD ELÉCTRICA

### Instrucciones de Conexión a Tierra

Este producto debe estar conectado a tierra. En caso de que haya un funcionamiento defectuoso o una avería, la conexión a tierra proporciona la ruta de menor resistencia a la corriente eléctrica para reducir el riesgo de choques eléctricos. Este producto está equipado con un cable que tiene un conductor de conexión a tierra del equipo y un enchufe con conexión a tierra. El enchufe debe estar enchufado a un tomacorriente adecuado, que esté correctamente instalado y con conexión a tierra de acuerdo a todos los códigos y ordenanzas locales.

**⚠ PELIGRO** *La conexión incorrecta del conductor de descarga a tierra del equipo puede dar como resultado un riesgo de electrocución. Consulte a un electricista o personal de servicio calificados si tiene dudas sobre si el tomacorriente está bien conectado a tierra. No modifique el enchufe que se proporciona con el producto, si no lo puede conectar al tomacorriente, haga que un electricista calificado instale el tomacorriente adecuado. No utilice ningún tipo de adaptador con este producto.*



**⚠ ADVERTENCIA** *Riesgo de electrocución*

- a. Este producto se proporciona con un interruptor de circuito de descarga a tierra, GFCI, incorporado en el enchufe del cable de corriente. Asegúrese de inspeccionar el cable y el GFCI antes de usar. Cualquier reparación o reemplazo del cable de corriente deben ser realizados por un técnico electricista calificado (licenciado o certificado). Si fuera necesario reemplazar el enchufe o el cable, use sólo piezas de reemplazo idénticas.
- b. NUNCA use un cable de extensión con este producto.
- c. Conéctela únicamente a un tomacorriente adecuadamente conectado a tierra. No elimine la clavija de conexión a tierra.
- d. Inspeccione el cable antes de usar la unidad - No la use si el cable está dañado.
- e. Mantenga todas las conexiones eléctricas secas y lejos del suelo.
- f. No toque el enchufe con las manos mojadas.
- g. No rocíe sobre aparatos eléctricos ni cableados.

## USO Y CUIDADO DE LA HERRAMIENTA

**⚠ ADVERTENCIA** *No ejerza presión que exceda la presión de funcionamiento de cualquiera de las piezas (mangueras, accesorios, etc.) en el sistema presurizado. Asegúrese de que todo el equipo y los accesorios estén clasificados para soportar la máxima presión de funcionamiento de la unidad.*

- a. Cuide su herramienta. Una herramienta mantenida adecuadamente reduce el riesgo de problemas y es más fácil de controlar.
- b. Asegúrese de que los dispositivos de seguridad estén funcionando correctamente antes de cada uso. NO quite ni modifique ninguna pieza de la pistola o la unidad.
- c. NUNCA ponga la máquina en funcionamiento sin que los componentes estén debidamente conectados a la máquina (mango, pistola/ensamble de la varilla, boquilla, etc.).
- d. Apunte la pistola en una dirección segura. La unidad comenzará a rociar cuando se apriete el gatillo si el interruptor de encendido y apagado ("On/Off") se encuentra en la posición de encendido de la lavadora a presión ["ON"].
- e. Aprenda cómo detener este producto y liberar la presión rápidamente. Familiarícese bien con los controles.
- f. SIEMPRE enganche el pasador de seguridad del gatillo en la posición segura cuando detiene el rociado, aunque sea solamente por algunos minutos.
- g. NUNCA enganche el mecanismo del gatillo en forma permanente en la pistola.
- h. SIEMPRE siga las recomendaciones que se encuentran en la etiqueta del fabricante para el uso adecuado de detergentes. Siempre protéjase los ojos, la piel y las vías respiratorias del uso de detergentes.
- i. NUNCA desconecte la manguera de descarga de alta presión de la máquina mientras el sistema esté presurizado. Para despresurizar la máquina, apague la corriente eléctrica y el suministro de agua, luego presione el gatillo de la pistola 2 ó 3 veces.
- j. Desenchufe la unidad cuando no la esté usando.
- k. Siga las instrucciones de mantenimiento que se especifican en el manual.

### AVISO

*Daño al equipo:*

- l. SIEMPRE encienda el suministro de agua antes de encender la lavadora a presión. **El poner la bomba seca en funcionamiento provoca graves daños.**
- m. No ponga en funcionamiento la lavadora a presión si se ha quitado la rejilla de la entrada de agua. Mantenga la rejilla libre de residuos y sedimentos.
- n. NUNCA opere la lavadora a presión si tiene piezas rotas o si le faltan piezas. Verifique el equipo periódicamente y repare o reemplace las piezas desgastadas o dañadas inmediatamente.
- o. Use sólo la boquilla que se proporciona con esta máquina.
- p. NUNCA deje la varilla de pulverización sin supervisión mientras la máquina está en funcionamiento.
- q. SIEMPRE sostenga la pistola y la varilla de pulverización con firmeza cuando encienda y opere la máquina.

- r. NUNCA permita que la unidad funcione durante más de un (1) minuto sin apretar el gatillo (desactivado). La acumulación de calor producida dañará la bomba.
- s. Suelte el gatillo cuando cambia de modos de alta presión a baja presión. El no hacerlo puede causar daños a la boquilla.
- t. NUNCA guarde la lavadora a presión a la intemperie o donde pudiera congelarse. Las temperaturas de congelación pueden dañar seriamente la bomba.

**GUARDE ESTAS INSTRUCCIONES –  
NO LAS DESECHE**

*NOTA: Los símbolos de PELIGRO, ADVERTENCIA, PRECAUCIÓN, y AVISO y las instrucciones en este manual no pueden posiblemente cubrir todas las condiciones y situaciones posibles que puedan presentarse. El usuario debe entender que las precauciones y el sentido común son factores que no pueden incorporarse en este producto: es el usuario mismo quién debe contribuirlos.*

**SERVICIO**

- a. **Al realizarle un servicio a la herramienta, utilice únicamente piezas de repuesto idénticas. Use sólo piezas autorizadas.**

**Preguntas Frecuentes**

**¿Por qué el agua no tiene ninguna presión?**

- ¿La manguera de agua está conectada a la lavadora a presión?
- ¿Está abierta el agua?
- Verifique que no haya codos o obstrucciones en las mangueras, los acoples o en la boquilla.
- ¿Está en su lugar la boquilla de conexión rápida? (Vea la página 10).
- ¿La rejilla interna del filtro está libre de residuos? Verifique y quite los residuos si es necesario.

**¿Cómo puedo lograr alta presión?**

- Use cualquier boquilla de color menos la negra. La boquilla negra se usa sólo para la aplicación de detergente a baja presión.

**¿Cómo puedo activar la succión de jabón?**

1. Conecte el tubo de plástico transparente de succión de productos químicos al conector plástico dentado de la bomba para la manguera , introduzca el otro extremo en el detergente.
2. Instale la boquilla de pulverización negra para aplicar detergente a baja presión.

**¿Por qué la lavadora a presión no aplica el jabón a alta presión?**

Los detergentes “resbalan” de las superficies de limpieza tan pronto como se apliquen. Las características de la lavadora a presión permiten que el detergente se succione sólo en el modo de presión baja. Aplicando el detergente en baja presión, se reduce el efecto de “resbalamiento”. Además, los detergentes son eficaces cuando se permite un tiempo de contacto para que trabajen en la superficie de lo que se quiera limpiar. Después de aplicar el detergente, deje que trabaje de 1 a 3 minutos, y luego proceda a enjuagar la superficie con alta presión.

**¿Qué mantenimiento debo darle a mi lavadora a presión?**

1. Después de apagar la lavadora a presión y el agua, alivie la presión de la manguera halando el gatillo de la pistola.
2. Desconecte la manguera de jardín y la manguera de alta presión de la bomba.
3. Encienda el motor por 5 segundos para purgar el agua de la bomba. Esto ayudará a proteger la bomba contra daños. Esto ayuda a proteger la bomba de posibles daños.
4. No almacene su lavadora a presión en un lugar donde la temperatura puede bajar por debajo de 32°F (0°C).
5. Siga las instrucciones para el almacenamiento y preparación invernal adecuados, en pág. 13 y 14.

**¿Qué hago si me falta una pieza?**

Llame a Campbell Hausfeld al 1-800-330-0712 y reemplazaremos rápidamente las piezas faltantes. ¡No devuelva la lavadora a presión al comerciante!

**¿Dónde puedo comprar accesorios para mi lavadora a presión?**

- Si no puede conseguir accesorios en el almacén donde ha comprado su lavadora a presión, llame a Campbell Hausfeld al 1-800-330-0712 o visite nuestro sitio web: [www.chpower.com](http://www.chpower.com).

**¿A quién llamo si tengo preguntas o problemas?**

Llame a Campbell Hausfeld al 1-800-330-0712 (U.S.A.)

Desempaque

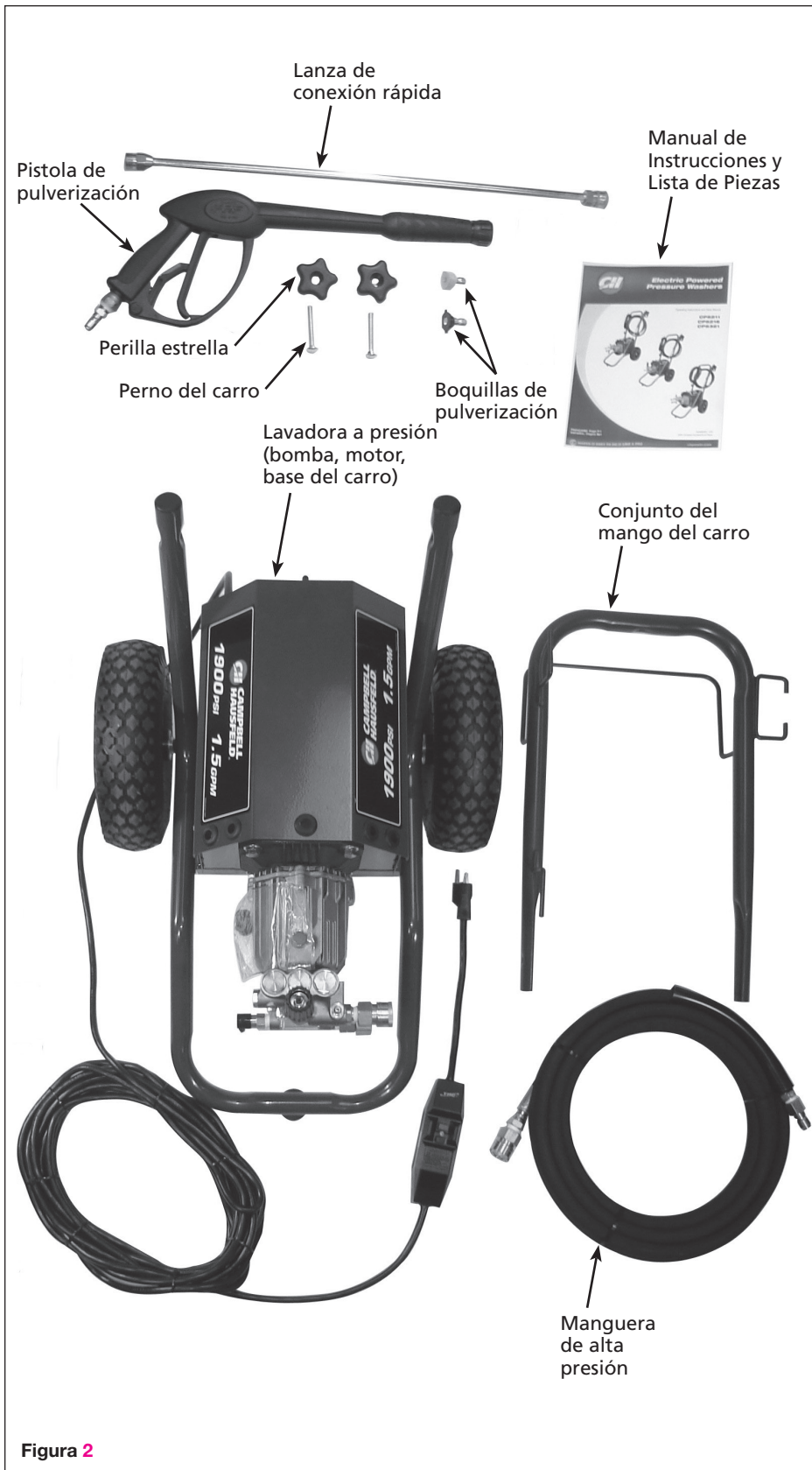


Figura 2

CONTENIDO DE LA CAJA

- ◆ Una lavadora a presión (bomba, motor, base del carro)
- ◆ Un conjunto del mango del carro
- ◆ Una pistola de pulverización y una lanza de conexión rápida
- ◆ Dos boquillas de pulverización para el modelo CP5216
- ◆ Cinco boquillas de pulverización para modelos CP5211 y CP5321
- ◆ Una manguera de alta presión
- ◆ Un paquete con tuercas, pernos y manuales

ARTÍCULOS ADICIONALES NO INCLUIDOS

- ◆ Protección para los ojos ANSI Z87
- ◆ Manguera de jardín

Después de desempacar la unidad, inspecciónela detenidamente para detectar cualquier daño que pueda haber ocurrido durante su traslado. Verifique que no haya piezas sueltas, faltantes ni dañadas. Cerciñese de apretar todas las conexiones, pernos, etc. antes de usar la lavadora a presión. Asegúrese de que todos los accesorios proporcionados vengan con la unidad. Si falta alguna de las piezas, NO DEVUELVA LA UNIDAD AL VENDEDOR. Busque el número de modelo de la unidad (ubicado en la etiqueta del número de serie en la estructura de la lavadora a presión) y llame 1-800-330-0712 para obtener piezas de repuesto.

**⚠ ADVERTENCIA** *No haga funcionar la unidad si se ha dañado durante el transporte, el manejo o el uso. Los daños podrían ocasionar una explosión y ocasionarle lesiones o daños a la propiedad.*

**Lea y Siga Todas Las Instrucciones**  
**Guarde estas instrucciones**  
**No las deseche**



## Glosario

Familiarícese con estos términos antes de poner la unidad en funcionamiento.

**CAVITACIÓN** - el impacto de miles de burbujas que colapsan rápidamente dentro de la bomba, corroyendo las superficies de metal y sellos. La cavitación es causada por la falta de agua en la entrada de la bomba.

**INYECTOR DE PRODUCTOS QUÍMICOS** - un inyector de productos químicos permite que se inyecten productos químicos o jabón en el flujo de agua, haciendo que la limpieza sea más rápida y simple que usando agua sola.

**SISTEMA DE INYECCIÓN DE DETERGENTE** - los detergentes de limpieza se introducen en la corriente de agua haciendo la limpieza más efectiva al permitir que los detergentes saturan las superficies sucias.

**GPM (GALONES POR MINUTO)** - más agua por minuto puede significar una limpieza más rápida, especialmente al lavar para quitar materiales como barro y asfalto.

**GFCI (INTERRUPTOR DE CORRIENTE CON DESCARGA A TIERRA)** - el GFCI protege al usuario de ser electrocutado accidentalmente (únicamente para lavadoras a presión eléctricas).

**SALIDA DE ALTA PRESIÓN** - una conexión para manguera de alta presión.

**CP (CABALLO DE POTENCIA)** - una unidad de medida para el trabajo.

**BOQUILLA (BOQUILLAS PULVERIZADORAS DE CONEXIÓN RÁPIDA)** - la boquilla es la restricción en el extremo de la varilla que crea la presión. Las boquillas tienen diferentes patrones de pulverización que pueden afectar el ancho y la potencia de la pulverización. La boquilla de 40° (blanca) produce una pulverización plana de aproximadamente 40°. También existen una boquilla de 25° (verde) y la más popular, de 15° (amarilla). La boquilla de 0° (roja) debe ser utilizada con precaución, ya que puede cortar madera y causar daños.

**BAR (PSI) (LIBRAS POR PULGADA CUADRADA)** - unidades de medida de presión. Determinan cuánta presión se aplica directamente sobre la superficie que se limpia. La presión proporcionada por la lavadora a presión es directamente responsable de separar los desechos y la superficie que se limpia.

**LIBERACIÓN TÉRMICA** - una técnica usada para reducir la acumulación de agua con altas temperaturas dentro de una bomba de una lavadora a presión causada cuando se cierra el gatillo de pulverización. Este sistema evita el daño interno de la bomba haciendo circular de forma cíclica agua a través de la bomba cuando el agua alcanza una temperatura máxima. El agua caliente se descargará de la bomba al suelo.

**VÁLVULA DE DESCARGA** - un dispositivo usado para liberar la presión del agua dentro de la bomba cuando el flujo de pulverización está obstruido. Permite al motor continuar encendido cuando el operador suelta el gatillo de la pistola pulverizadora y deja de lavar. Desvía la presión, la cual se acumularía sin la válvula de descarga, llevando el agua desde el lado de salida de la bomba y la devuelve haciendo un bucle al lado de la entrada en un modo continuo de "derivación". La válvula de descarga devolverá el flujo del agua a la pistola pulverizadora cuando el operador presione el gatillo

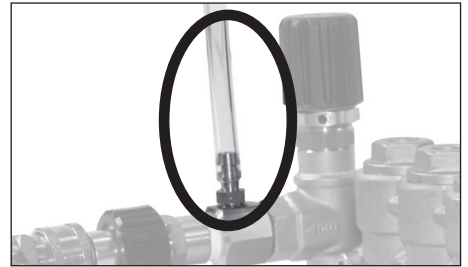


Figura 3 – Inyector de productos químicos

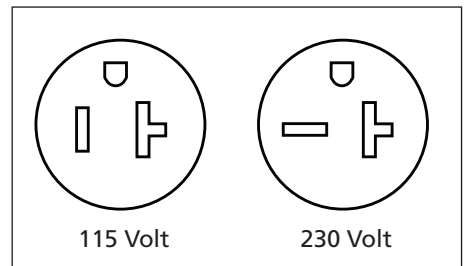


Figura 4 – Salida GFCI

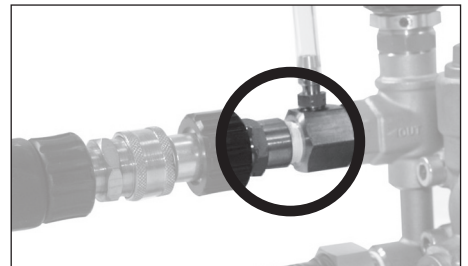


Figura 5 – Salida de alta presión



Figura 6 – Boquilla o boquillas de pulverización de conexión rápida

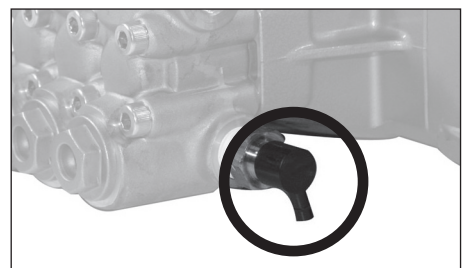


Figura 7 – Válvula de liberación térmica



Conozca su Lavadora a Presión

USOS RECOMENDADOS PARA ESTA LAVADORA A PRESIÓN

- ◆ Plataformas
- ◆ Revestimientos exteriores
- ◆ Vehículos



Figura 8 - Componentes de la lavadora a presión

## Ensamblaje y Antes del Funcionamiento

### ENSAMBLAJE Y ANTES DEL FUNCIONAMIENTO

1. Deslice el ensamblaje del mango sobre las patas inferiores de la base del carro. Use la perilla estrella (que se proporciona) y los pernos para asegurar el mango a las patas (Ver Figura 9).
2. Presione la manguera plástica para detergente sobre el conector dentado (Ver Figura 10).
3. Introduzca las boquillas de conexión rápida en los soportes de goma en la parte frontal del letrero (Ver Figura 11).
4. Asegure la manguera de jardín (no se incluye) a la conexión de entrada de la bomba (Ver Figura 12).
5. Conecte la manguera de alta presión a la salida de la bomba (Ver Figura 13).
6. Conecte la lanza a la pistola (Ver Figura 14).
7. Instale la boquilla de conexión rápida (Ver Figura 15).

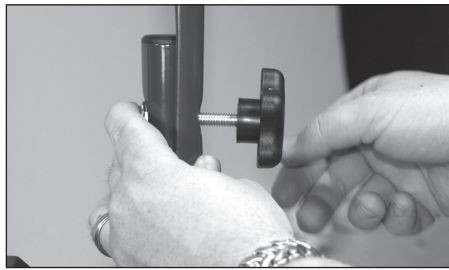


Figura 9 - Ensamblaje del mango

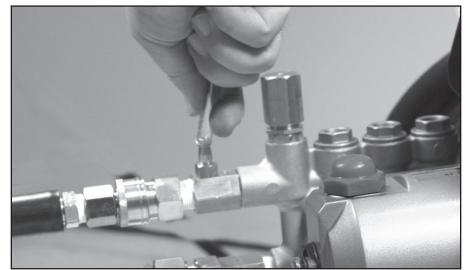


Figura 10 - Conecte el tubo de succión al conector dentado

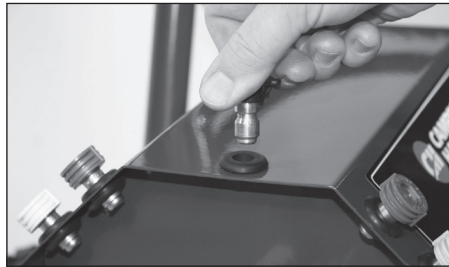


Figura 11 - Inserte las boquillas de pulverización en el soporte

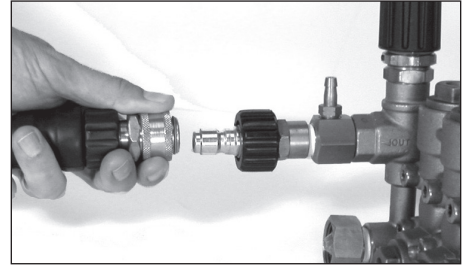


Figura 13 - Conecte la manguera de alta presión a la bomba

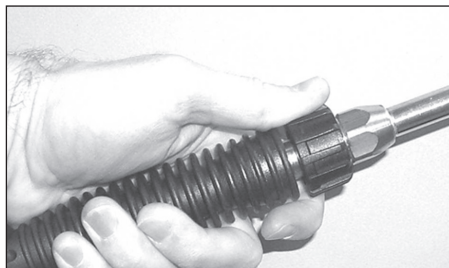


Figura 14 - Conecte la lanza a la pistola

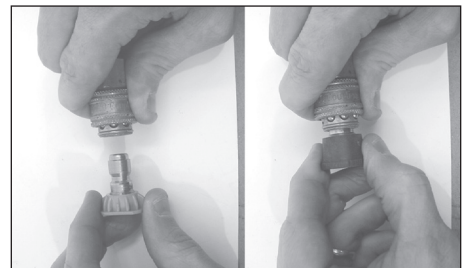


Figura 15 - Boquilla de conexión rápida

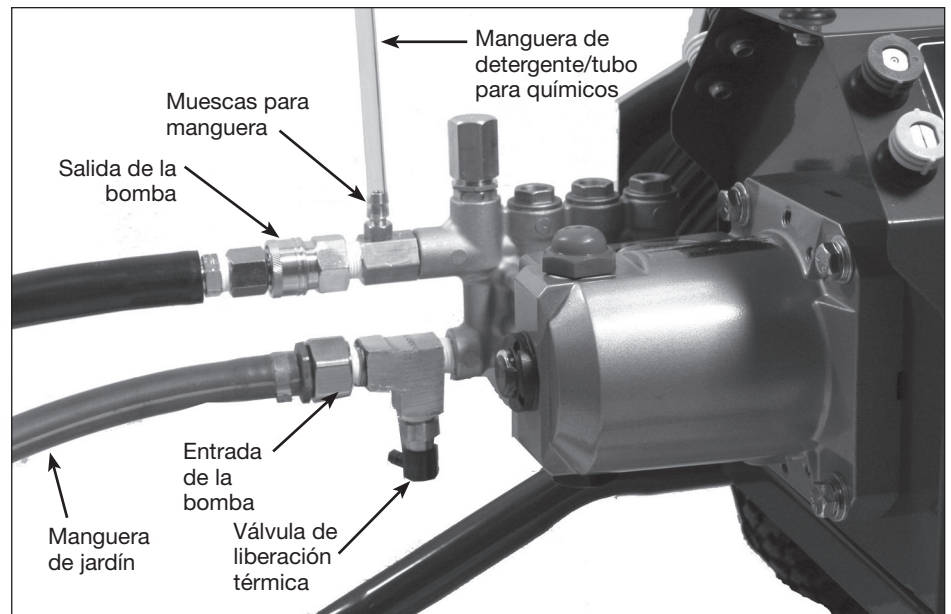


Figura 12 - Conexión de la bomba

## Ensamblaje y Antes del Funcionamiento (Continuación)

### SEGURO DEL GATILLO

En la posición de trabado, el seguro evita que la pistola se dispare accidentalmente. Presione el seguro totalmente hacia abajo para destrabarlo (Ver Figura 16 y 17).

Siempre trabe el seguro del gatillo cuando la unidad no se está usando.

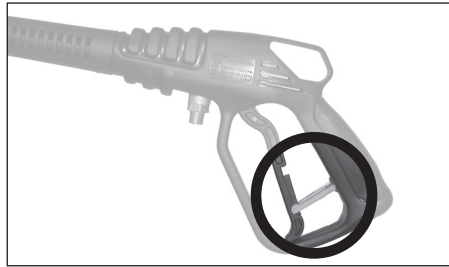


Figura 16 - Gatillo trabado



Figura 17 - Gatillo sin trabar

## Funcionamiento

### PREPARACIÓN DE SUPERFICIE

El siguiente procedimiento de limpieza le ayudará a organizar su tarea de limpieza y asegura que logrará el mejor resultado en la menor cantidad de tiempo. Recuerde usar las técnicas de rociado/ limpieza que se mencionan en las secciones siguientes.

Antes de comenzar un trabajo de limpieza de lavado a presión, prepare la superficie que pretende limpiar. Despeje el mobiliario del área y asegúrese de que todas las ventanas y puertas estén bien cerradas. Además proteja todas las plantas y árboles próximos al área de limpieza cubriéndolos con una tela. Al cubrirlos se asegura que sus plantas no sean rociadas con los detergentes.

### ENCENDIDO

SIEMPRE use este procedimiento de encendido para asegurarse de que la unidad sea iniciada adecuadamente y con seguridad.

#### AVISO

*Si el agua se ha congelado en la lavadora a presión, descongele la lavadora a presión en una habitación templada antes de encenderla.*

**NO vierta agua caliente sobre o dentro de la bomba; esto puede dañar las piezas interiores.**

1. Asegúrese de que el interruptor de energía esté en la posición de apagado ("OFF").
2. Conecte una manguera de jardín al lado interno de la bomba y conéctela al suministro de agua. Utilice una manguera con un diámetro interior de 15,9 mm (5/8 inch) y un largo de 15 m (50 pies) o menos.

#### ⚠ AVERTISSEMENT

*Algunos códigos locales de plomería exigen una prevención de retroceso cuando se realiza una conexión a un suministro de agua fresca. Instale un dispositivo para evitar el retroceso del flujo de agua de la bomba si fuera necesario.*

- a. Si la presión de entrada de agua es superior a 6,90 bar, instale una válvula reguladora de agua en la conexión de la manguera de jardín.
- b. No supere una temperatura de entrada de agua de 38° C (100°F).

**NOTA:** El suministro de agua de entrada debe tener una velocidad mínima de flujo de 19 lpm.

3. ABRA el suministro de agua.

#### AVIS

*Nunca haga funcionar la unidad sin agua. Asegúrese de que el suministro de agua esté totalmente abierto antes de hacer funcionar la unidad.*

4. Apriete el gatillo de la pistola hasta que salga agua pulverizada de la boquilla indicando que todo el aire se ha purgado del sistema. Coloque el pasador de seguridad del gatillo.
5. Enchufe el cable de corriente en un tomacorriente de 120 V con conexión a tierra, que se encuentre en un circuito dedicado. Presione el botón de reinicio en el adaptador de GFCI del enchufe. Esto debe hacerse cada vez que la unidad se enchufa en un tomacorriente.



## Funcionamiento (Continuación)

### ENJUAGUE INICIAL DE ALTA PRESIÓN

Rocíe la superficie a limpiar con agua para quitar la suciedad o las manchas que puedan haberse acumulado sobre la superficie. Hacer esto permite que el detergente ataque la suciedad profunda que se ha introducido dentro de la superficie a limpiar.

Apriete el gatillo de la pistola entre 3 y 5 veces para eliminar cualquier resto de aire que haya quedado en el sistema.

#### Ajuste del ángulo de rociado

Con esta lavadora a presión se incluyen dos boquillas de conexión rápida para el modelo CP5216 o cinco boquillas de conexión rápida para los modelos CP5211 y CP5321. Las boquillas tienen un rango de ángulos de pulverización en abanico, que van desde 0°, estrecho y de alto impacto, hasta 65° de ancho para un pulverizado amplio.

La presión también puede ajustarse acercándose o alejándose de la superficie que se está limpiando y ajustando el ángulo de la pulverización como se muestra.

#### Ángulo con respecto a la superficie a limpiar

Cuando rocíe agua contra una superficie, puede generar un impacto máximo al apuntar a la superficie en un ángulo perpendicular. Sin embargo, este tipo de impacto puede causar que las partículas de suciedad se incrusten en la superficie evitando así que se logre la acción deseada.

El mejor ángulo para rociar el agua contra la superficie de limpieza es de 45°.

Rocíe agua contra una superficie en un ángulo de 45 grados para lograr el impacto de mayor beneficio y quitar de esta forma los restos eficientemente.

#### Distancia a la superficie de limpieza

La distancia entre la boquilla de pulverización y la superficie que se está limpiando es otro factor que afecta la fuerza de impacto del agua. La fuerza de impacto del agua aumenta a medida que se acerca la boquilla a la superficie.

#### Cómo evitar daños a la superficie

El daño a las superficies de limpieza ocurre cuando la fuerza de impacto del agua excede la resistencia de la superficie. Puede variar la fuerza de impacto controlando el ángulo de la boquilla de pulverización con respecto a la superficie que se limpia y la distancia de la superficie y cambiando la boquilla de pulverización. NUNCA utilice un chorro angosto de alto impacto sobre una superficie propensa a ser dañada. Evite rociar ventanas con un chorro angosto de alto impacto. Si lo hace es posible que rompa la ventana. La forma más segura para evitar daños a las superficies es siguiendo estos pasos:

1. Antes de presionar el gatillo de la pistola, asegúrese de que la boquilla de conexión rápida que usa es adecuada para la aplicación.
2. Coloque la boquilla de pulverización aproximadamente a 1,2 o 1,5 m (4-5 pies) de distancia de la superficie de limpieza. Luego sostenga la lanza y la boquilla de pulverización en un ángulo de 45° con respecto a la superficie de limpieza. Presione el gatillo de la pistola.
3. Varíe el ángulo de rociado del patrón de abanico y la distancia a la superficie de limpieza hasta que se logre una eficiencia de limpieza.

### APLICACIÓN DE DETERGENTE

Nota: Use sólo detergentes formulados para lavadora a presión. Pruebe el detergente en un área poco aparente antes de usarlo.

#### Detergentes

El uso de detergentes puede reducir en gran forma el tiempo de limpieza y puede ayudar a quitar las manchas difíciles. Muchos detergentes están diseñados para ser usados con lavadoras a presión en tareas de limpieza específicas. Los detergentes para lavadoras a presión son igual de espesos que el agua. Si se utilizan detergentes más espesos, como por ejemplo detergentes para lavar vajilla, obstruirán el sistema de inyección de productos químicos y evitarán la aplicación de detergentes.

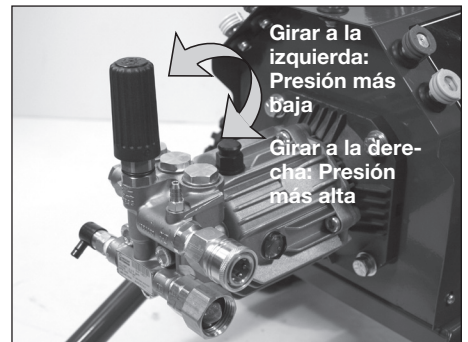


Figura 18 – Ajuste de la presión para el modelo CP5216

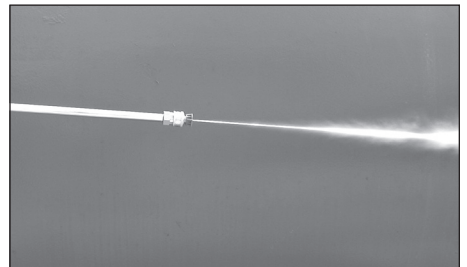


Figura 19 - Chorro angosto de alto impacto

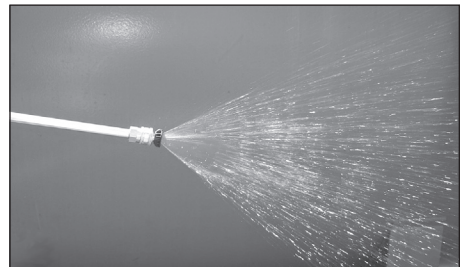


Figura 20 - Patrón de abanico amplio



Figura 21 - Angle optimum par rapport à la surface à nettoyer

## Funcionamiento (Continuación)

Una vez aplicados a la superficie a limpiar, los detergentes toman un tiempo para ejercer una acción sobre la suciedad y las manchas. Los detergentes funcionan mejor cuando se aplican a baja presión.

Usted puede limpiar superficies de un modo efectivo combinando la acción química de los detergentes junto con los enjuagues de alta presión. Sobre superficies verticales, aplique el detergente de abajo hacia arriba. Este método evita que el detergente se deslice y provoque marcas. Comience el enjuague con alta presión de abajo hacia arriba. En manchas particularmente difíciles, utilice un cepillo en combinación con los detergentes y el enjuague a alta presión.

1. Siga las indicaciones del fabricante, que aparecen en la etiqueta, para utilizar las concentraciones de mezcla correctas de los jabones/detergentes. La proporción de jabón/detergente con respecto al agua para la bomba es de aproximadamente 10% (1 a 10).
2. Introduzca el extremo del filtro del tubo de detergente de plástico transparente dentro del recipiente de detergente.
3. Use la boquilla de conexión rápida negra de 65°.
4. Ajuste el flujo de inyección de detergente girando el anillo del inyector. Girar el anillo hacia la derecha aumenta el flujo de detergente.

### Consejos generales de limpieza

1. Aplique el detergente para que cubra totalmente la superficie a limpiar. Aplique el detergente de abajo hacia arriba para evitar que éste se deslice hacia abajo y deje marcas. Espere un par de minutos para que el detergente actúe sobre la suciedad y las manchas. Utilice un cepillo para cepillar levemente las áreas más sucias. Nunca permita que el detergente se seque sobre la superficie a limpiar.
2. Para enjuagar: cambie la boquilla de pulverización negra de 65° por una boquilla de otro color.

**⚠ ADVERTENCIA** *Nunca reemplace la boquilla de conexión rápida cuando el gatillo de la pistola esté presionado. Siempre coloque el pasador del gatillo en la pistola antes de quitar o instalar boquillas de conexión rápida.*

3. Después de usar detergentes, enjuague el sistema de succión colocando el tubo de succión de detergente dentro de un cubo de agua limpia y pulverice con la boquilla pulverizadora negra.

### PODER DE LIMPIEZA

La forma más fácil de regular el poder de limpieza de su lavadora a presión es cambiando la distancia a la superficie que está limpiando. Comience a rociar con un patrón de abanico amplio mientras se para a varios pies de la superficie. Acérquese lentamente al objeto que está limpiando, mientras ajusta el patrón de rociado según sea necesario, hasta que encuentre la técnica de limpieza más eficaz.

**NOTA:** la unidad también puede tener una perilla de ajuste de la presión en la bomba que puede ajustar la presión.

### ENJUAGUE FINAL

El enjuague final debe comenzar de abajo hacia arriba. Asegúrese de enjuagar totalmente la superficie y de quitar todo

el detergente.

### PROCEDIMIENTO DE LIBERACIÓN DE PRESIÓN

Para reducir el riesgo de lesiones corporales o daño a la propiedad, siempre siga este procedimiento cuando detiene el rociado, cuando finaliza el trabajo y antes de revisar o reparar cualquier parte del sistema.

1. Coloque el seguro del gatillo.
2. Apague la unidad.
3. Cierre el suministro de agua.
4. Suelte el seguro del gatillo y apriete el gatillo de la pistola para liberar la presión.
5. Vuelva a colocar el seguro del gatillo.
6. Cuando verifique o repare la unidad, quite el enchufe del tomacorriente de pared.
7. Antes de guardar la unidad de un día para el otro, durante un largo tiempo o para transportarla, desconecte el suministro de agua.

### APAGADO

1. Asegúrese de enjuagar todo el detergente del sistema.
2. Apague el motor.
3. Cierre el suministro de agua.
4. Después de apagar el motor y cerrar el suministro de agua, apriete el gatillo para quitar la presión del sistema.

#### AVISO

*NUNCA cierre el suministro de agua antes de apagar el motor. Pueden ocurrir daños graves a la bomba y/o al motor.*

#### ⚠ PRECAUCIÓN

*Nunca desconecte la manguera de descarga de alta presión desde la máquina mientras el sistema está presurizado. Para despresurizar apague el motor, cierre el suministro de agua y presione el gatillo 2-3 veces.*

5. Después de cada uso, limpie todas las superficies con un paño húmedo y limpio.

### ALMACENAMIENTO

- Nunca vaya a guardar la lavadora a presión a la intemperie.
- No guarde la lavadora a presión en un lugar en el que pueda congelarse, a menos que haya sido preparada adecuadamente para el invierno.

### Instrucciones de preparación para el invierno

1. Desconecte la manguera de alta presión de la bomba.
2. Introduzca un trozo de manguera de jardín de 30,48 cm (12") a 35,56 cm (14") dentro de la entrada de la bomba.
3. Coloque un embudo en el otro extremo de la manguera de jardín.

#### AVISO

*Lea las instrucciones del fabricante para manejar y desechar con seguridad el anticongelante RV.*

4. Vierta aproximadamente 177 mL (6 oz.) de anticongelante RV dentro del embudo.
5. Encienda y apague el interruptor brevemente hasta que salga el anticongelante de la válvula de liberación de la salida de la bomba.



## Funcionamiento (Continuación)

- Desconecte la manguera de alta presión de la pistola y drene la manguera. Sostenga la pistola y la lanza en posición vertical y presione el gatillo para drenar el agua.

### CONSEJOS PARA PROLONGAR LA VIDA DE SU LAVADORA A PRESIÓN

- Nunca haga funcionar la unidad sin agua.
- Su lavadora a presión no está diseñada para bombear agua caliente. Nunca conecte su lavadora a presión a un suministro de agua caliente ya que esto reducirá en forma significativa la vida de la bomba.
- Hacer funcionar la unidad durante más de un minuto sin rociar agua provoca que se acumule calor en la bomba. Hacer funcionar la unidad sin rociar agua puede dañar los componentes de la bomba.

## Mantenimiento

Para asegurar una vida y un rendimiento máximos de la lavadora a presión, cumpla con intervalos de mantenimiento regulares. Remítase al plan de mantenimiento recomendado. Si usted hace funcionar la lavadora a presión en ambientes con mucho polvo, realice revisiones de mantenimiento con más frecuencia.

### PLANIFICACIÓN DEL MANTENIMIENTO

Planificación del mantenimiento	Acción necesaria:
A diario	Verifique la rejilla y el filtro de entrada del agua

### INFORMACIÓN TÉCNICA Y PARA EL CONSUMIDOR

Lavadoras a presión de orientación horizontal	
<b>Capacidad de aceite de la bomba</b>	
ARX5V	133 mL. aceite AR64545
2DX y 3DNX	251,3 mL. aceite para bomba CAT
<b>Succión del detergente de la bomba</b>	
Proporción de agua/detergente	10 a 1 (10% de detergente)
<b>Requisitos del suministro de agua</b>	
Presión mínima de entrada	1,38 bar
Presión máxima de entrada	6,90 bar
Temperatura máxima de entrada	37,7°C (100°F)
Mínimo caudal de entrada	19 l/m (5 gpm)
Tamaño de la manguera de jardín de entrada	15,9 mm (5/8 pulg.) de diámetro interno
Largo máximo de la manguera de jardín de entrada	15,2 m. (50 pies)

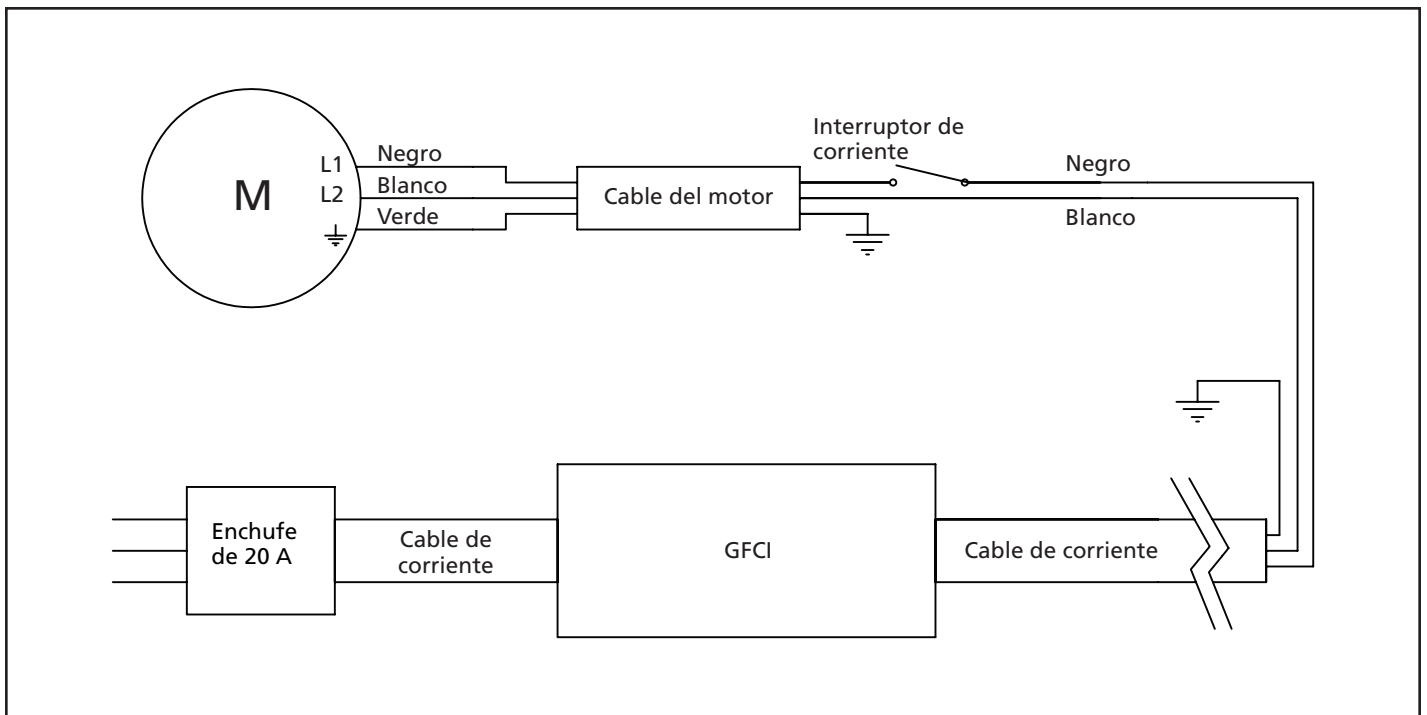


Figura 22 - Diagrama de cableado 115V

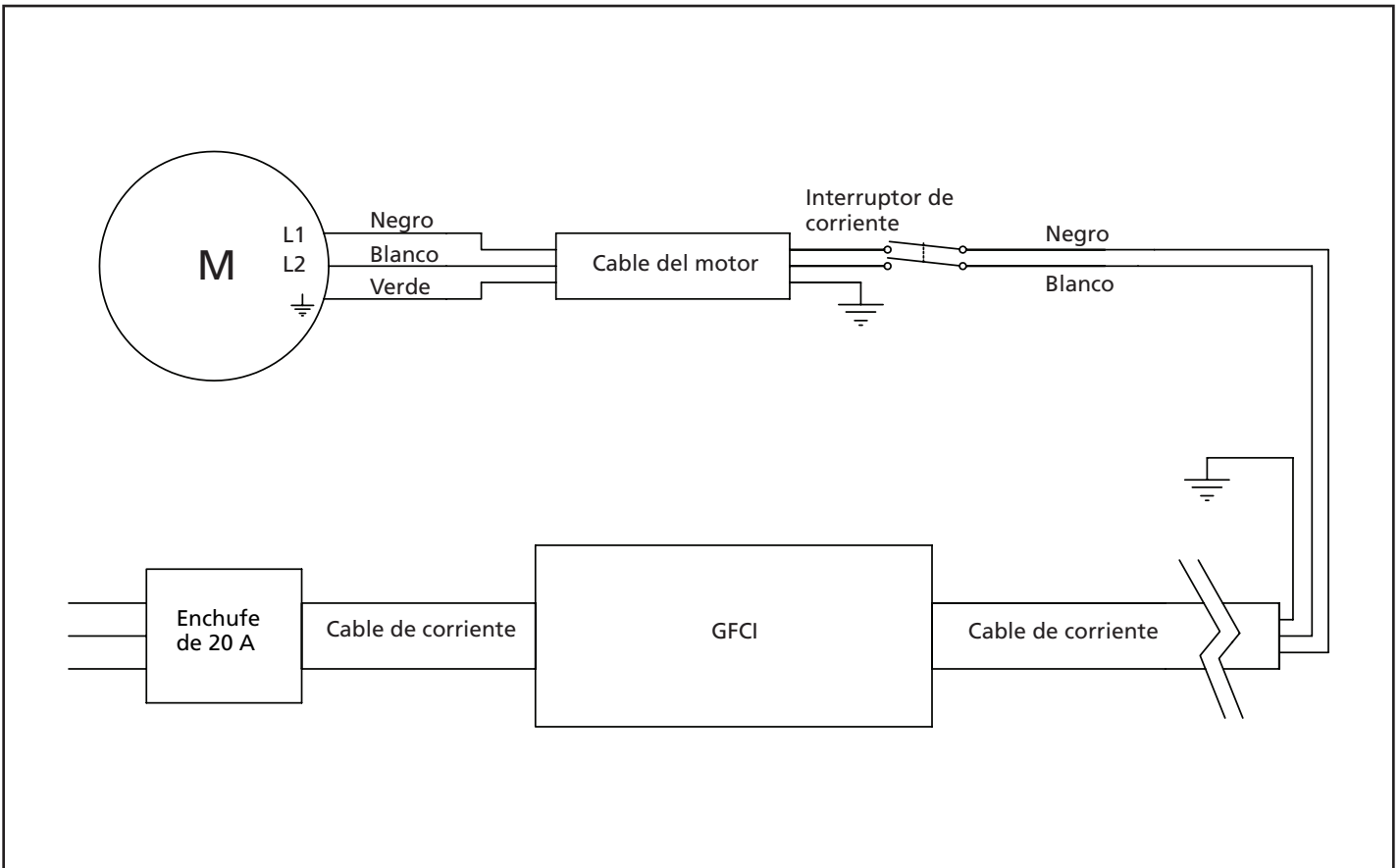


Figura 23 - Diagrama de cableado 230V

## Tabla de Identificación de Problemas

PROBLEMA	CAUSA	SOLUTION
La presión baja y/o la bomba funciona toscamente	1. Punta desgastada o del tamaño equivocado	1. Reemplácela con una punta del tamaño adecuado
	2. Filtro de entrada o bomba obstruida	2. Límpiela. Verifique con más frecuencia
	3. Sellos de agua desgastados, abrasivos en el agua, o desgaste natural	3. Revise el filtro. Cambie los sellos de agua. Consulte el centro de servicio
	4. Válvulas de descarga o de entrada sucias	4. Limpie los ensamblajes de las válvulas de entrada y descarga. Revise el filtro
	5. Entrada restringida	5. Revise la manguera de jardín, puede estar colapsada o plegada. Revise el flujo de entrada de agua
	6. Válvulas de descarga o de entrada desgastadas	6. Reemplace las válvulas desgastadas
	7. Manguera de alta presión con pérdidas	7. Reemplace la manguera de alta presión
	8. Bomba aspira aire	8. Asegúrese de que las mangueras y los accesorios estén ajustados
	9. Asiento de la válvula de descarga fallado o desgastado	9. Revíselo y reemplácelo
Pérdida de agua debajo del distribuidor	Sellos de agua desgastados	Instale nuevos sellos de agua. Consulte al centro de servicio
Agua en el cárter de la bomba (aceite lechoso)	1. Aire húmedo se condensa dentro del cárter	1. Cambie el aceite como se especifica en el plan de mantenimiento
	2. Sellos de aceite con pérdidas	2. Instale nuevos sellos de aceite. Consulte al centro de servicio
Fallas frecuentes o prematuras de los sellos de agua de la bomba	1. Émbolos rayados, dañados o desgastados	1. Instale émbolos nuevos. Consulte al centro de servicio
	2. Material abrasivo en el fluido	2. Instale un filtrado adecuado en la tubería de entrada de la bomba
	3. Temperatura del agua de entrada demasiado alta	3. Verifique la temperatura del agua; no puede exceder los 38° C.
	4. La bomba presuriza demasiado	4. No modifique ningún valor de fábrica.
	5. Presión excesiva debido a una punta dañada o parcialmente obstruida	5. Limpie o reemplace la punta.
	6. La bomba funciona demasiado sin rociar	6. Nunca haga funcionar la bomba durante más de 2 minutos sin rociar
	7. La bomba funciona sin agua	7. No haga funcionar la bomba sin agua
Fuertes pulsaciones en la entrada y baja presión	Partículas extrañas en la válvula de entrada o de descarga o válvulas de entrada y/o de descarga desgastadas	Limpie o reemplace las válvulas. Consulte al centro de servicio
Pérdidas de aceite entre el motor y la bomba	Anillo O y/o sellos de aceite desgastados	Reemplace el anillo O y/o los sellos de aceite. Consulte el centro de servicio
Presión fluctuante	1. Válvula desgastada, sucia o trabada	1. Revise y reemplace
	2. La bomba aspira aire	2. Asegúrese de que las mangueras y los accesorios estén ajustados. Purgue el aire de la manguera de jardín
	3. Punta obstruida	3. Revise o reemplace

*Continúa en la página siguiente*

## Tabla de Identificación de Problemas

PROBLEMA	CAUSA	SOLUCIÓN
Disminuye la presión luego de un período de uso normal	<ol style="list-style-type: none"> <li>Sellos de agua de la bomba desgastados</li> <li>Boquilla desgastada</li> <li>Válvula desgastada, sucia o atorada</li> <li>Asiento de la válvula de descarga desgastado o sucio</li> <li>Boquilla en la posición de presión baja</li> </ol>	<ol style="list-style-type: none"> <li>Revise y reemplace</li> <li>Revise y reemplace</li> <li>Revise, limpie o reemplace</li> <li>Revise, limpie o reemplace</li> <li>Tire la boquilla hacia atrás a la posición de alta presión</li> </ol>
La lavadora a presión no se enciende	<ol style="list-style-type: none"> <li>Se disparó el GFCI</li> <li>El enchufe no está bien conectado o el tomacorriente eléctrico está defectuoso</li> <li>El cable de extensión es demasiado largo o el tamaño del cable es demasiado pequeño.</li> <li>El suministro de voltaje principal es demasiado bajo</li> <li>Se disparó el interruptor térmico de seguridad</li> </ol>	<ol style="list-style-type: none"> <li>Presione el botón de reajuste en el enchufe</li> <li>Revise el enchufe, el tomacorriente y los fusibles</li> <li>Quite el cable de extensión</li> <li>Verifique si el voltaje de suministro principal es adecuado</li> <li>Apague la unidad y deje que el motor se enfríe</li> </ol>
El motor se detiene abruptamente	<ol style="list-style-type: none"> <li>El cable de extensión es demasiado largo o el tamaño del cable es demasiado pequeño.</li> <li>El interruptor térmico de seguridad se disparó debido a un sobrecalentamiento</li> </ol>	<ol style="list-style-type: none"> <li>Quite el cable de extensión</li> <li>Verifique que el voltaje de suministro principal corresponda con las especificaciones</li> </ol>
La unidad comienza a largar humo	Motor sobrecalentado, sobrecargado o dañado	Apague la unidad y llame al 1-800-330-0712
Bomba ruidosa / la bomba funciona toscamente	<ol style="list-style-type: none"> <li>Bomba aspira aire/bajo suministro de agua</li> <li>Válvulas sucias o desgastadas</li> <li>Juntas desgastadas</li> <li>Agua demasiado caliente</li> </ol>	<ol style="list-style-type: none"> <li>Asegúrese de que las juntas están ajustadas. Aumente la presión de agua</li> <li>Revise, limpie o reemplace</li> <li>Revise y reemplace</li> <li>Reduzca la temperatura por debajo de 38° C</li> </ol>
No succiona detergente	<ol style="list-style-type: none"> <li>La boquilla no se empujó hacia arriba lo suficiente</li> <li>Hay una obstrucción, pliegue o perforación en la manguera de succión de detergente</li> <li>La manguera es demasiado larga</li> <li>La lanza no está funcionando adecuadamente</li> </ol>	<ol style="list-style-type: none"> <li>Empuje la boquilla hasta el tope.</li> <li>Si está limpia, elimine los pliegues o cambie la manguera.</li> <li>Utilice únicamente el largo de manguera que se proporcionó con la compra inicial de la lavadora a presión. La succión del detergente no funciona si se conecta más de una sección de manguera a la unidad.</li> <li>Quite la lanza de la pistola. Si se pasa detergente a través de la pistola, la lanza se debe reemplazar. Si no pasa detergente a través de la pistola, quite 1" del conector de detergente ahusado de la bomba. Limpie el conector, y asegúrese de que la bola y el resorte estén alineados adecuadamente con la porción ahusada del resorte que está frente a la bola. La bola debe estar encima del resorte.</li> </ol>

## Para Ordenar Repuestos o Asistencia Técnica, Sírvase Llamar al Distribuidor Más Cercano a Su Domicilio

Sírvase proporcionar la siguiente información:

- Número de modelo
- Número de serie (si tiene)
- Descripción y número de la pieza como se muestra en la lista de repuestos

Dirija toda la correspondencia a:

Campbell Hausfeld  
Attn: Customer Service  
100 Production Drive  
Harrison, OH 45030 U.S.A.

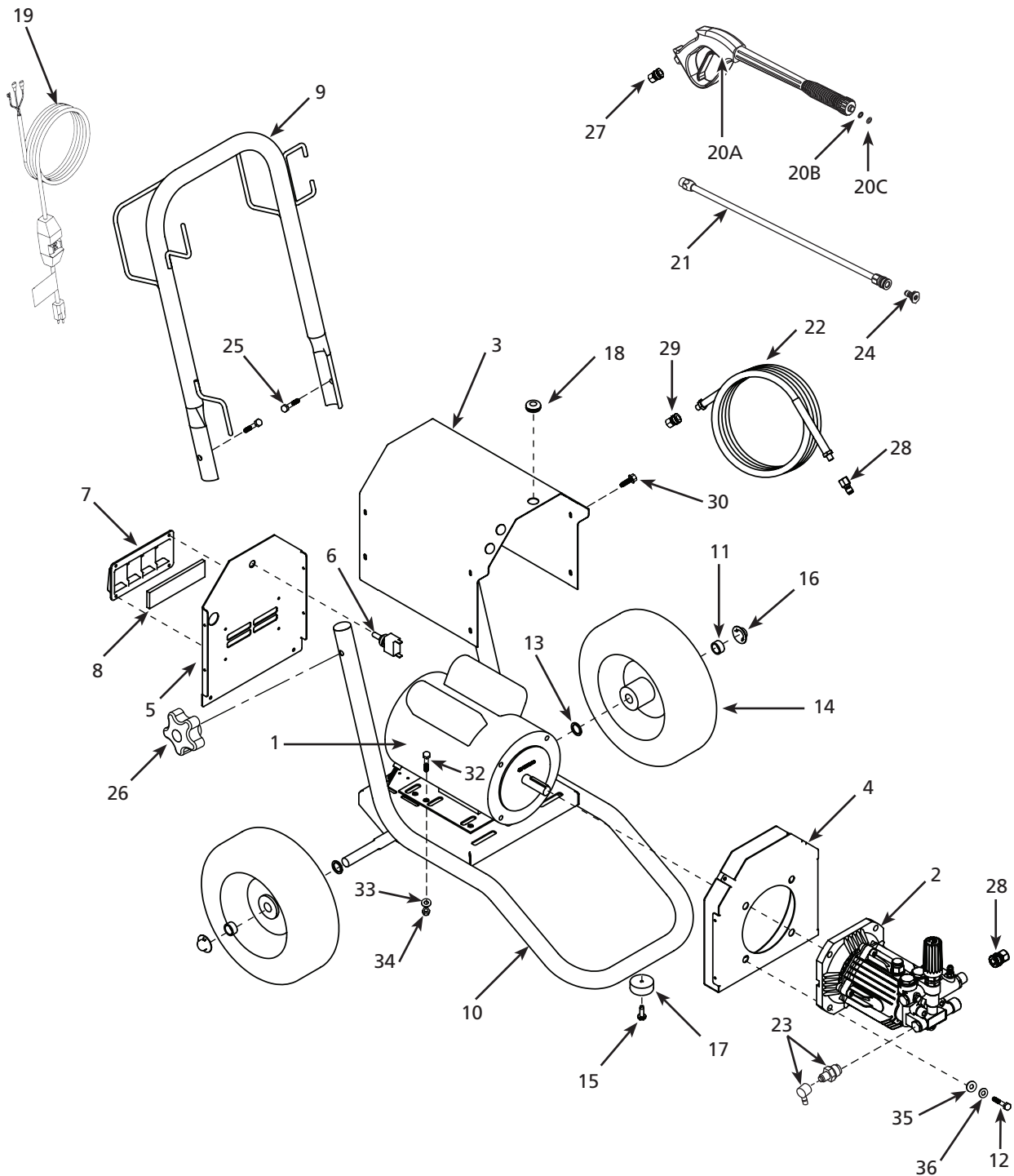


Figura 24 – Ilustración de las piezas de repuesto



## Lista de Piezas de Repuesto

No. de Ref.	Descripción	CP5211	CP5216	CP5321	Ctd.
1	Motor	MC031000AV	MC031000AV	MC031001AV	1
2	Bomba	PM351171SJ	PM351170SJ	PM351172SJ	1
3	Cubierta del motor	PM351173SJ	PM351173SJ	PM351174SJ	1
4	Deflector de aire	PM351102JJ	PM351102JJ	PM351102JJ	1
5	Tapa posterior	PM351103JJ	PM351103JJ	PM351107JJ	1
6	Interruptor	PM351179SJ	PM351179SJ	PM351180SJ	1
7	Rejilla de ventilación	PM351128AV	PM351128AV	PM351128AV	1
8	Filtro de aire	PM351129AV	PM351129AV	PM351129AV	1
9	Mango	PM351023JJ	PM351023JJ	PM351023JJ	1
10	Carro	PM351175SJ	PM351175SJ	PM351176SJ	1
11	Separador	AL007001AV	AL007001AV	AL007001AV	2
12	Perno – 9,5 mm (3/8 pulg.) – 16 x 3,18 cm (1,25 pulg.) de largo	*	*	*	4
13	Arandela	ST090200AV	ST090200AV	ST090200AV	2
14	Rueda neumática	WA005620AV	WA005620AV	WA005620AV	2
15	Tornillo	MJ102100AV	MJ102100AV	MJ102100AV	1
16	Contratuerca	AL066300AV	AL066300AV	AL066300AV	2
17	Defensa de caucho	AL062300AV	AL062300AV	AL062300AV	1
18	Ojal de goma	MJ110200AV	MJ110200AV	MJ110200AV	5
19	Ensamble del cable	PM351177SJ	PM351177SJ	PM351178SJ	1
20A	Pistola	PM005136AV	PM005136AV	PM005136AV	1
20B	Anillo-O para pistola	PM345402SJ	PM345402SJ	PM345402SJ	1
20C	Anillo-O de respaldo para pistola	PM232211SJ	PM232211SJ	PM232211SJ	1
21	Lanza	PM035120AV	PM035120AV	PM035120AV	1
22	Manguera de 7,62 m (25 pies)	PM005010AV	PM005010AV	PM005010AV	1
23	Ensamble de liberación térmica	PM245100AV	PM005406AV	PM005406AV	1
24	Boquillas de conexión rápida				
	Boquilla – 0°	PM351120AV	PM351120AV	PM039870AV	1
	Boquilla – 15°	PM351121AV	PM351121AV	PM039880AV	
	Boquilla – 25°	PM351122AV	PM351122AV	PM039890AV	
	Boquilla – 40°	PM351123AV	PM351123AV	PM039900AV	
	Boquilla – Jabón	PM039820AV	PM039820AV	PM039820AV	
25	7,9 mm (5/16 pulg.) – 18 pernos de carro de 5,72 cm (2,25 pulg.)	MJ103305AV	MJ103305AV	MJ103305AV	2
26	Perilla estrella	PM080900AV	PM080900AV	PM080900AV	2
27	Puntas de conexión rápida – Pistola	PM068060AV	PM068060AV	PM068060AV	1
28	Puntas de conexión rápida – Bomba y Manguera	PM068070AV	PM068070AV	PM068070AV	2
29	Puntas de conexión rápida – Manguera	PM068066AV	PM068066AV	PM068066AV	1
30	Tornillo – Rosca N.º 8-18	MJ106100AV	MJ106100AV	MJ106100AV	14
31	Tubo para químicos (No se muestra)	PM013800AV	PM013800AV	PM013800AV	1
32	7,9 mm (5/16 pulg.) – 18 pernos de 19,1 mm (3/4 pulg.)	ST016000AV	ST016000AV	ST016000AV	4
33	Arandela plana de 7,9mm (5/16")	ST070930AV	ST070930AV	ST070930AV	4
34	Tuerca hexagonal 7,9 mm (5/16") – 18	AL014000AV	AL014000AV	AL014000AV	4
35	Arandela plana de 9,5 mm (3/8")	ST070913AV	ST070913AV	ST070913AV	4
36	Arandela de seguridad de 9,5 mm (3/8")	ST071011AV	ST071011AV	ST071011AV	4
*	Artículo estándar de ferretería				

---

**Recordatorio:** ¡Guarde su comprobante de compra con fecha para fines de la garantía! Adjúntela a este manual o archívela en lugar seguro.

---

## Garantía Limitada

1. Duración: De la fecha de compra por el comprador original y de acuerdo a las siguientes clasificaciones: Tres (3) años la unidad lavadora a presión, 2 (dos) años la bomba y el motor, y 90 días para los artículos con desgaste normal.
2. QUIEN otorga ÉSTA GARANTÍA (EL GARANTE): Campbell Hausfeld / Scott Fetzer Company, 100 Production Drive, Harrison, OH 45030, Teléfono: (800) 330-0712.
3. QUIEN RECIBE ÉSTA GARANTÍA (EL COMPRADOR): El comprador original (que no sea revendedor) de la Lavadora de Presión Campbell Hausfeld.
4. PRODUCTOS CUBIERTOS POR ESTA GARANTÍA: Cualquier Lavadora de Presión Campbell Hausfeld fabricada o distribuida por el garante.
5. LO QUÉ ÉSTA CUBIERTO POR ESTA GARANTÍA: Los defectos de material y/o de manufactura que ocurran dentro del periodo de garantía con las excepciones anotadas abajo.
6. LO QUÉ NO ÉSTA CUBIERTO POR ESTA GARANTÍA:
  - A. Las garantías implícitas, incluyendo las garantías de comercialización y adecuación para un fin particular, son limitadas a partir de la fecha de compra como se indica en el párrafo DURACIÓN. Si ésta lavadora de presión es usada para trabajos comerciales, industriales o para renta, la garantía aplicada es de (90) días a partir de la fecha de compra. En algunos estados no se permiten limitaciones a la duración de las garantías, en tal caso esta limitación no es aplicable.
  - B. CUALQUIER PERDIDA, DANO INCIDENTAL INDIRECTO O CONSECUENTE QUE PUEDE RESULTAR DE UN DEFECTO, FALLA, O MALFUNCIONAMIENTO DE LA LAVADORA DE PRESIÓN CAMPBELL HAUSFELD. En algunos estados no se permiten la exclusión o limitación de daños incidentales o consecuentes y en tal caso esta limitación o exclusión no es aplicable.
  - C. Cualquier falla que resulte por daños en la transportación, accidente, abuso, negligencia o incumplimiento de las instrucciones de funcionamiento e instalación indicadas en el manual suministrado con el producto.
  - D. El servicio al producto antes de la venta. Ejemplo ensamblaje, aceites o lubricantes, ajustes, etc.
  - E. Partes o ajustes requeridos normalmente en el mantenimiento de la lavadora de presión.
  - F. Partes adicionales no cubiertos en ésta garantía:
    1. Desgaste normal en partes tales como mangueras de alta presión, sellos de agua o aceite, anillos, válvulas y boquillas de spray.
    2. Escobillas del motor (modelos eléctricos solamente).
    3. Defectos externos que no interfieren con su funcionamiento.
    4. Componentes oxidados.
    5. Desgaste de la bomba o daño de la válvula causado por uso de aceite inapropiado, contaminación del aceite o por no seguir adecuadamente las recomendaciones de mantenimiento.
7. RESPONSABILIDADES DEL GARANTE BAJO ÉSTA GARANTÍA: Repare o reemplazar, como lo decida el garante, ya sea la lavadora de presión o alguna de sus partes que se encuentre defectuoso, no funcione adecuadamente y/o no cumpla de conformidad dentro del periodo de duración de la garantía.
8. RESPONSABILIDADES DEL COMPRADOR BAJO ESTA GARANTÍA:
  - A. Proporcionar prueba de la fecha de compra y registros de mantenimiento.
  - B. Entregar o enviar la lavadora de presión o su componente al centro de servicio autorizado Campbell Hausfeld más cercano. Los costos de embarque, si son aplicables, serán pagados por el comprador.
  - C. Ser cuidadoso con el funcionamiento y mantenimiento de la lavadora de presión de acuerdo al manual(s) del propietario.
9. CUANDO EFECTUARA EL GARANTE LA REPARACION O REEMPLAZO CUBIERTO POR ESTA GARANTÍA: La reparación o reemplazo del equipo tomara el tiempo normal y de acuerdo a la carga de trabajo en ese momento el el centro de servicio y de acuerdo a la disponibilidad de refacciones.

Esta garantía limitada es válida sólo en los EE.UU., Canadá y México y otorga derechos legales específicos. También usted podría tener otros derechos los cuales varían de estado a estado o de país a país.

## Free Manuals Download Website

<http://myh66.com>

<http://usermanuals.us>

<http://www.somanuals.com>

<http://www.4manuals.cc>

<http://www.manual-lib.com>

<http://www.404manual.com>

<http://www.luxmanual.com>

<http://aubethermostatmanual.com>

Golf course search by state

<http://golfingnear.com>

Email search by domain

<http://emailbydomain.com>

Auto manuals search

<http://auto.somanuals.com>

TV manuals search

<http://tv.somanuals.com>