



USER GUIDE

VGA W/AUDIO OVER CAT5 EXTENDER

Model: 39986(remote unit)

TABLE OF CONTENTS

Introduction.....	2
Features.....	3
System Requirements.....	4
Package Contents.....	5
Device Overview.....	6
Device Installation	7
Troubleshooting.....	11
Technical Specifications.....	12
Cables To Go One Year Warranty.....	13
Important Safety Information.....	14

INTRODUCTION

Thank you for purchasing the TruLink™ VGA w/Audio over Cat5 Extender Remote Unit. The Extender Remote Unit when paired with the Extender Base Unit is a robust solution that allows you to extend your VGA and audio signal up to 300 meters (1000 feet) over a Cat5E Unshielded Twisted Pair (UTP) cable. This solution is ideal for applications where your VGA monitor needs to be placed further than the average 100 foot VGA cable limitation. Driving VGA and audio signals over Cat5E allows you to take advantage of your UTP cable infrastructure already installed for a cost-effective and reliable installation. With the TruLink VGA w/Audio over Cat5 Extender, you can place your display across the room, on another floor, or in another building while your computer remains in a convenient location. **It is recommended that you read this guide thoroughly before use, and retain for future reference.**

FEATURES

- ❖ Extend your analog video and audio signals up to 300 meters (1000 feet)
- ❖ Cat5E UTP cabling enables easy and cost effective in-wall installation
- ❖ Supports the following resolutions using Cat5E* cabling:

100M	1280x1024
180M	1024x768
200M	800x600
300M	640x480

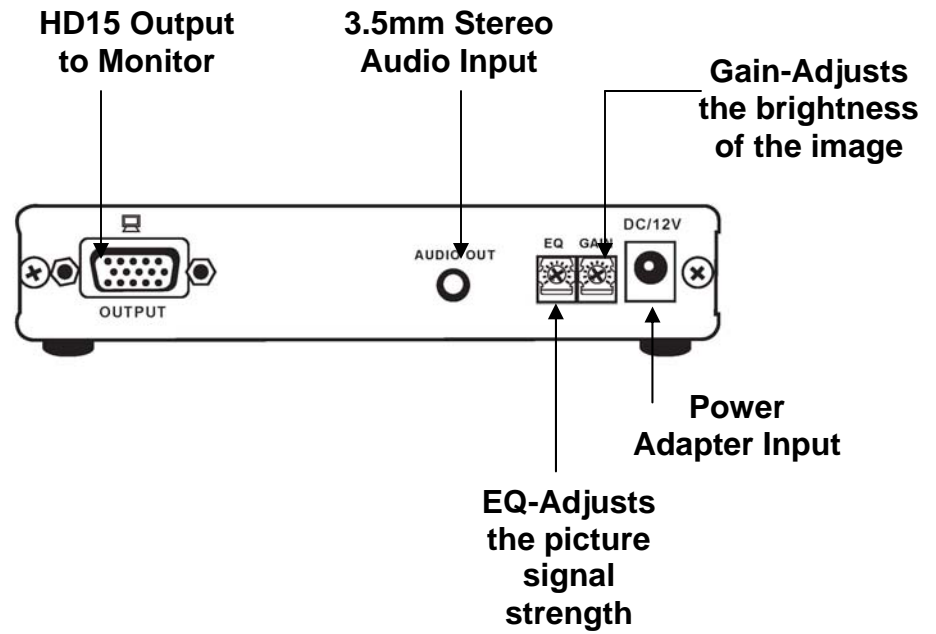
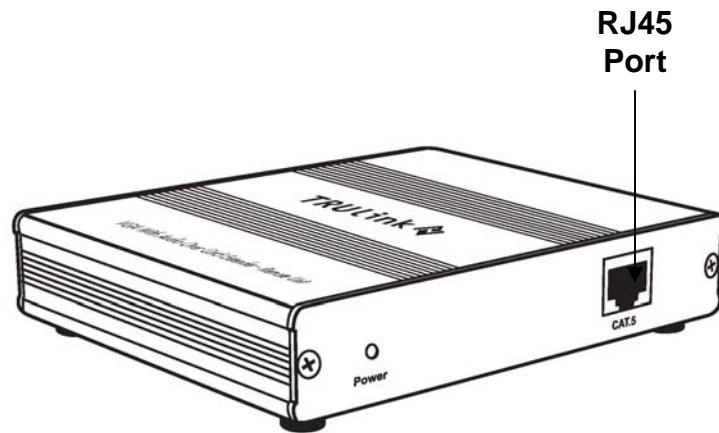
SYSTEM REQUIREMENTS

- ❖ Base Unit- Part #39984 or #39985 (sold separately)
- ❖ Cat5E UTP Cable
- ❖ HD15 and 3.5mm audio connection on computer
- ❖ HD15 and 3.5mm audio connection on each monitor, projector, or other display device
- ❖ HD 15 male to male cables for the computer and each display device connected and 3.5mm audio cables for each audio output source connected

PACKAGE CONTENTS

- ❖ TruLink VGA w/Audio over Cat5 Extender Remote Unit
- ❖ DC 12V 600mA Power Adapter
- ❖ User Manual

DEVICE OVERVIEW



DEVICE INSTALLATION

Note: Before installation, you will need to have a TruLink VGA w/Audio Extender Base Unit (1 or 4 port Model: #39984 or #39985 respectively), and a TruLink VGA w/Audio Extender Remote Unit (#39986). (each sold separately)

Step 1

Turn off your PC

Step 2

Connect the Extender Base Unit (39984:1 port) or (39985:4 port) HD15 female Input connector with a HD15 male to male cable from your PC.

Step 3

Connect the Audio In connector at the Extender Base Unit with a 3.5mm stereo cable from your PC stereo or headphone output (a cable is provided for you).

Step 4

Connect the Mic In connector at the Extender Base Unit with a desktop or portable microphone with stereo audio capability.

Step 5 (optional)

If you are using a local monitor, connect the Extender Base Unit HD15 female Output connector with a HD15 cable from your monitor.

Step 6

Connect the Extender Base Unit and Extender Remote Unit with a Cat5 cable.

DEVICE INSTALLATION

Step 7

Connect the Extender Remote Unit HD15 female connector with a HD15 cable to your monitor.

Step 8

Connect the Extender Remote Unit Audio Output connector with an audio cable to the monitor or audio receiver.

Step 9

Connect the Extender Base and Remote Unit power adapters

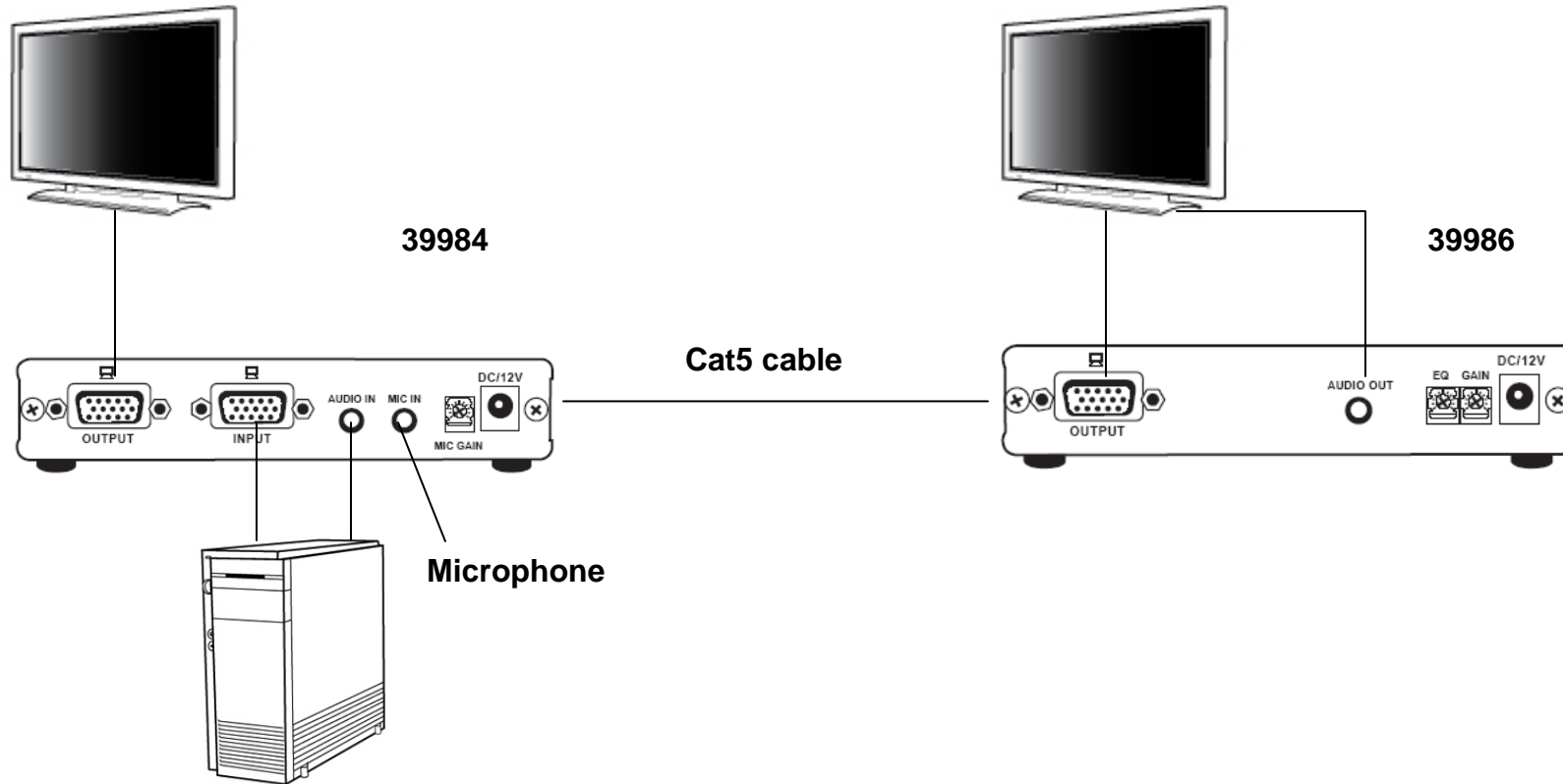
Step 10

Turn on your PC, monitors, and other equipment, and your installation is complete!

Note: Cat6 cables can be used but not recommended due to the skew of the signal pairs.

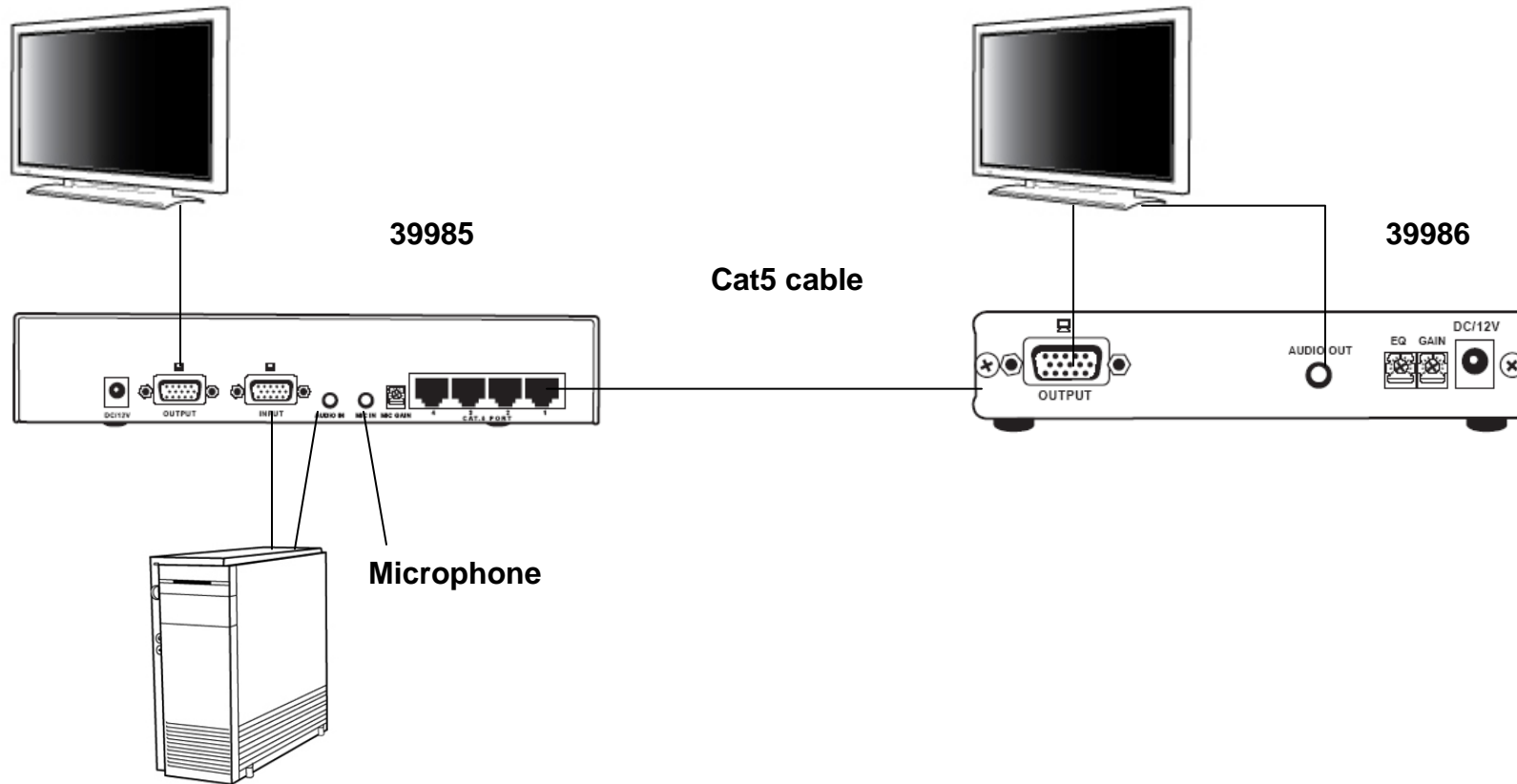
DEVICE INSTALLATION

Application Diagram



DEVICE INSTALLATION

Application Diagram



TROUBLESHOOTING

Problem	Possible Solution
No Operation	<ol style="list-style-type: none"><li data-bbox="739 332 1604 365">1. Verify the 12V power supply is connected to the selector.<li data-bbox="739 406 1346 438">2. Make sure all devices are powered on.
No picture or signal; Poor picture.	<ol style="list-style-type: none"><li data-bbox="739 446 1604 479">1. Make sure your video display is properly set in PC mode.<li data-bbox="739 519 1604 584">2. Check the resolution on your PC. You may need to lower it to a resolution that is compatible with your monitor.<li data-bbox="739 625 1520 690">3. Adjust the Equalization switch that is located on the remote unit.<li data-bbox="739 730 1577 763">4. Turn all equipment power to off and then restore power.

TECHNICAL SPECIFICATIONS

Product Number	39984	39985	39986
VGA In/Out Connector	HD-15 female x2 (1 In, 1 Out)	HD-15 female x2 (1 In, 1 Out)	HD-15 female x1 Out
Audio In/Out Connector	3.5mm Stereo Jack x1	3.5mm Stereo Jack x1	3.5mm Stereo Jack x1
Mic In Connector	3.5mm Stereo Jack x1	3.5mm Stereo Jack x1	-----
RJ45 Connector	1	4	1
Max Resolution	1280x1024 60Hz	1280x1024 60Hz	1280x1024 60Hz
Cable Distance	300m (max.)	300m (max.)	-----
Power Adapter	DC 12V 600mA	DC 12V 600mA	DC 12V 600mA
Power Adapter Input	AC 100~240V/50-60Hz	AC 100~240V/50-60Hz	AC 100~240V/50-60Hz
Housing	Aluminum	Metal	Aluminum
Weight	275g (.61 lbs.)	1350g (2.97 lbs.)	275g (.61 lbs.)
Dimensions	5.1 x 4.35 x .98 in.	9.5 x 8.6 x 1.6 in.	5.1 x 4.35 x .98 in.

CABLES TO GO™ ONE YEAR WARRANTY

At Cables To Go, we want you to be totally confident in your purchase. That is why we offer a one year warranty on this device. If you experience problems due to workmanship or material defect for the duration of this warranty, we will repair or replace this device. To request a Return Merchandise Authorization (RMA) number, contact customer service at 1-800-293-4970 or www.cablestogo.com.



Cables To Go
3555 Kettering Blvd.
Moraine, OH 45439
1-800-826-7904
www.cablestogo.com

IMPORTANT SAFETY INFORMATION

! Do not plug the unit in any outlet that does not have enough current to allow the device to function. Refer to the specifications in this manual for power level of the unit.

! Liquid:

If this unit or its corresponding power adapter has had liquid spilled on or in it, do not attempt to use the unit. Do not attempt to use this product in an outdoor environment as elements such as rain, snow, hail, etc. can damage the product.

! In case of a storm, it is recommended that you unplug this device from the outlet.

! Avoid placing this product next to objects that produce heat such as portable heaters, space heaters, or heating ducts.

! THERE ARE NO USER SERVICEABLE PARTS

Do not attempt to open this product and expose the internal circuitry. If you feel that the product is defective, unplug the unit and refer to the warranty information section of this manual.

For more information on this product or to check for updated drivers, manuals or frequently asked questions please visit our website.

www.cablestogo.com



VER. 1.0.4.9.09

Free Manuals Download Website

<http://myh66.com>

<http://usermanuals.us>

<http://www.somanuals.com>

<http://www.4manuals.cc>

<http://www.manual-lib.com>

<http://www.404manual.com>

<http://www.luxmanual.com>

<http://aubethermostatmanual.com>

Golf course search by state

<http://golfingnear.com>

Email search by domain

<http://emailbydomain.com>

Auto manuals search

<http://auto.somanuals.com>

TV manuals search

<http://tv.somanuals.com>