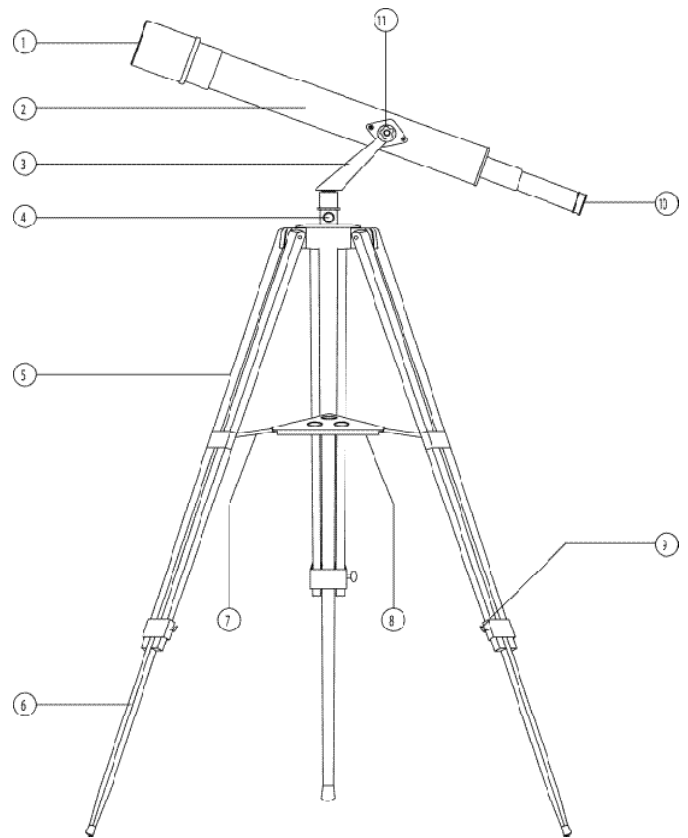


# Bushnell®

## Harbormaster™

### 35 x 60 Refractor Telescope



Model 78-6035

Thank you for purchasing the Bushnell Harbormaster Telescope! Your new telescope has been designed and crafted with the highest standards so that you may have years of enjoyment out of this wonderful window to the world. This instrument comes complete with a vintage solid brass telescope crafted and polished to perfection, a solid wood tripod with antique cherry finish, and a precision ground 60mm lens.

We would like to take this time to illustrate some of the inherent traits of brass. Brass has a tendency to have minor imperfections that should not be considered as defective. Rather, these should be considered just for what they are--common occurrences within the brass that add to the character and antiquity of this product.

It is our hope that you will enjoy and appreciate this fine example of Old World craftsmanship and its authentic design for years to come.

#### STANDARD EQUIPMENT

- Solid Brass Telescope
- Solid Wood Tripod
- Altazimuth Yoke Mount
- Accessory Tray
- Hardware Pack:
  - Tripod leg: 3-2 1/2"bolts, 6-11/16 washers and 3-wingnuts
  - Accessory tray: 3-1/2" bolts, 6-11/16" washers and 3-wingnuts
  - Tripod Leg Lock Screws: 3 pc.

#### TELESCOPE ASSEMBLY

Remove all components from the carton and identify all components. READ THROUGH ASSEMBLY INSTRUCTION BEFORE YOU ASSEMBLE YOUR TELESCOPE.

##### 1. Set-Up Tripod, Mount and Accessory Tray

- Locate the Altazimuth Yoke Mount (3). *Note: Before assembling tripod legs to Altazimuth Yoke Mount, make sure the Accessory Tray Braces (7) face inward.* Locate the long bolts and washers from the hardware pack. Position the mount over the **Tripod Leg (5)** as shown (fig. 1) and align the holes in the **Tripod Leg** with the holes in the mount. Insert the bolts through the holes at the top of a **Tripod Leg**. A washer should be positioned on both outer sides of the **Tripod Leg**. Attach a wing nut to the bolt, but do not tighten it all the way. Repeat on the remaining two **Tripod Legs**. Once you have attached all Tripod Legs to the mount, securely tighten all wing nuts.
- Locate the **Accessory Tray (8)**. Using the accessory tray bolts, wingnuts and washers ( 3-2 1/2" bolts, 6-11/16 washers and 3 - wingnuts) connect the **Accessory Tray** to the **Accessory Tray Braces (7)**. Start with one **Tripod**

Continued on page 2

**Leg** and attach wingnut. Wingnuts should be positioned beneath the **Accessory Tray**. Do not tighten wingnuts until all **Accessory Tray Braces** are attached as some adjustments may be required.

- Select one **Tripod Leg (5)** and extend the **Tripod Leg Middle Section (6)**. Using **Tripod Leg Lock Screws (9)** included in the hardware pack, insert the **Tripod Leg Lock Screw** into the lower brackets on the **Tripod Leg**. Tighten the **Tripod Leg Lock Screws** so that the middle section is securely in place. Repeat on remaining two legs.

## 2. Attach Telescope

- Locate **Telescope Main Tube (2)**. Secure telescope to **Altazimuth Yoke Mount (3)** by positioning the telescope between yoke. Carefully insert the **Altitude Lock Knobs (11)** through the yoke mount and into the threaded brackets on the side of telescope tube and remove lens cover from **60mm Objective Lens (1)**.

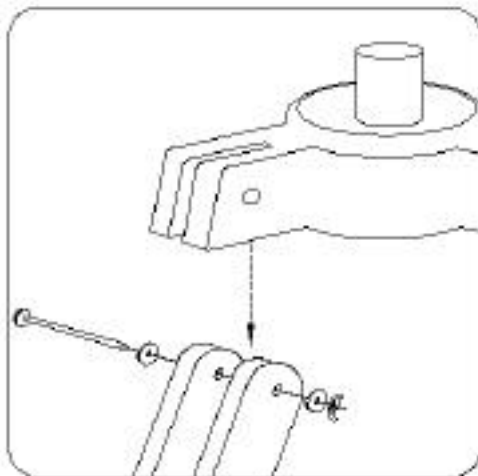
**Your Bushnell Telescope is now ready to be used. To obtain the fullest enjoyment from your telescope, please refer to the additional information below.**

## HOW TO USE YOUR NEW TELESCOPE

### Focusing Telescope:

1. After assembly, aim **Telescope Tube (2)** at a land-based target at least 200 yards away (e.g. a lighthouse or landscape). Fully extend **focusing tube (10)**.
2. While looking through eyepiece slowly adjust **focusing tube (10)** by sliding telescoping tube inward until object comes into focus in the eyepiece.

**Never Look Directly At The Sun With Your Telescope  
Permanent Damage To Your Eyes May Result.**



(fig. 1)

## WARRANTY / REPAIR

### TELESCOPE LIFETIME LIMITED WARRANTY

Your Bushnell® telescope is warranted to be free of defects in materials and workmanship for the lifetime of the original owner. The Lifetime Limited Warranty is an expression of our confidence in the materials and mechanical workmanship of our products and is your assurance of a lifetime of dependable service.

If your telescope contains electrical components the electronic components are warranted to be free of defects in materials and workmanship for one year after the date of purchase.

In the event of a defect under this warranty, we will, at our option, repair or replace the product, provided that you return the product postage prepaid. This warranty does not cover damages caused by misuse or improper handling, installation or maintenance of the product.

Any return made under this warranty must be accompanied by the items listed below:

- 1) A check in the amount of \$15.00 to cover the cost of handling
- 2) Name and address for product return
- 3) An explanation of the defect
- 4) Product should be well packed in a sturdy outside shipping carton to prevent damage in transit and return postage prepaid to the address listed below:

#### IN U.S.A. Send To:

Bushnell Performance Optics  
8500 Marshall Drive  
Lenexa, Kansas 66214

#### IN CANADA Send To:

Bushnell Performance Optics  
25A East Pearce Street, Unit 1  
Richmond Hill, Ontario L4B 2M9

For products purchased outside the United States and Canada please contact your local dealer for applicable warranty information. This warranty gives you specific legal rights. You may have other rights which vary from country to country.

©2001 Bushnell Performance Optics

## Free Manuals Download Website

<http://myh66.com>

<http://usermanuals.us>

<http://www.somanuals.com>

<http://www.4manuals.cc>

<http://www.manual-lib.com>

<http://www.404manual.com>

<http://www.luxmanual.com>

<http://aubethermostatmanual.com>

Golf course search by state

<http://golfingnear.com>

Email search by domain

<http://emailbydomain.com>

Auto manuals search

<http://auto.somanuals.com>

TV manuals search

<http://tv.somanuals.com>