



# service and maintenance procedures

## 4-WAY MULTIPOISE FIXED-CAPACITY DIRECT-VENT CONDENSING GAS FURNACE

# 350MAV Series G

Cancels: SP05-47

SP05-52  
8-02

**WARNING:** ELECTRICAL SHOCK, FIRE, OR EXPLOSION HAZARD  
Failure to follow safety warnings exactly could result in dangerous operation, serious injury, death, or property damage.

Improper servicing could result in dangerous operation, serious injury, death, or property damage.  
Before servicing, disconnect all electrical power to furnace.  
When servicing controls, label all wires prior to disconnecting. Reconnect wires correctly.  
Verify proper operation after servicing.



**WARNING:** The ability to properly perform maintenance on this equipment requires certain expertise, mechanical skills, tools, and equipment. If you do not possess these, do not attempt to perform any maintenance on this equipment other than those procedures recommended in the User's Manual. **FAILURE TO FOLLOW THIS WARNING COULD RESULT IN POSSIBLE DAMAGE TO THIS EQUIPMENT, SERIOUS PERSONAL INJURY, OR DEATH.**

**WARNING:** Never store anything on, near, or in contact with the furnace, such as:

1. Spray or aerosol cans, rags, brooms, dust mops, vacuum cleaners, or other cleaning tools.
2. Soap powders, bleaches, waxes or other cleaning compounds, plastic or plastic containers, gasoline, kerosene, cigarette lighter fluid, dry cleaning fluids, or other volatile fluids.
3. Paint thinners and other painting compounds, paper bags, or other paper products.

Failure to follow this warning can cause corrosion of the heat exchanger, fire, personal injury, or death.

**NOTE:** Read the entire instruction manual before starting the installation.


This symbol → indicates a change since the last issue.

### TABLE OF CONTENTS

SAFETY CONSIDERATIONS .....	1
GENERAL.....	2
ELECTROSTATIC DISCHARGE (ESD) PRECAUTIONS.....	2
CARE AND MAINTENANCE.....	2
Cleaning and/or Replacing Air Filter.....	3
Blower Motor and Wheel Maintenance.....	3
Cleaning Burners .....	4
Cleaning Heat Exchangers.....	5
Primary Heat Exchangers.....	5
Secondary Heat Exchangers.....	6

Flushing Collector Box and Drainage System .....	6
Servicing Hot Surface Ignitor .....	7
Electrical Controls and Wiring.....	8
Checking Heat Tape Operation (If Applicable).....	8
Winterizing.....	8
WIRING DIAGRAM.....	9
TROUBLESHOOTING .....	9
Status Codes.....	9
Component Test.....	9

### SAFETY CONSIDERATIONS

Recognize safety information. This is the safety-alert symbol . When you see this symbol on the furnace and in instructions or manuals, be alert to the potential for personal injury.

Understand the signal words DANGER, WARNING, and CAUTION. These words are used with the safety-alert symbol. DANGER identifies the most serious hazards which **will** result in severe personal injury or death. WARNING signifies hazards which **could** result in personal injury or death. CAUTION is used to identify unsafe practices which **would** result in minor personal injury or product and property damage. NOTE is used to highlight suggestions which **will** result in enhanced installation, reliability, or operation.

Installing and servicing heating equipment can be hazardous due to gas and electrical components. Only trained and qualified service agency personnel should install, repair, or service heating equipment.

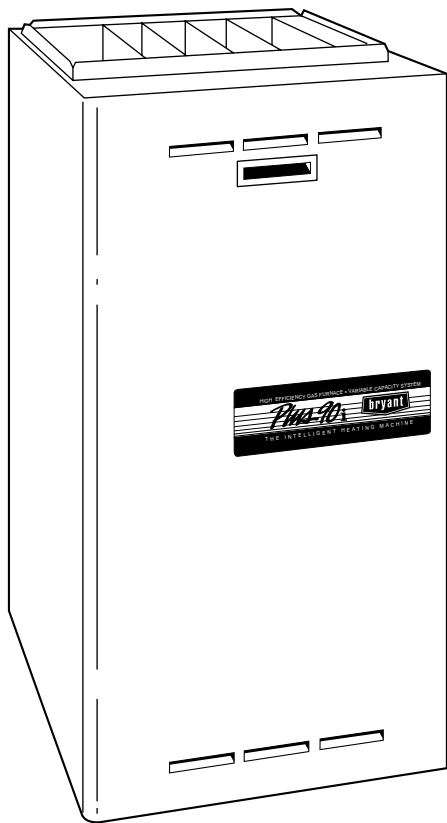
Untrained personnel can perform basic maintenance functions such as cleaning and replacing air filters. All other operations must be performed by trained and qualified service agency personnel. When working on heating equipment, observe precautions in the literature, on tags, and on labels attached to or shipped with the unit and other safety precautions that may apply.

Follow all safety codes including the National Fuel Gas Code (NFGC) NFPA 54-1999/ANSI Z223.1-1999 in the USA; National Standard of Canada, Natural Gas and Propane Installation Code

CSA B149.1-00 (NSCNGPIC) in Canada; and the Installation Standards, Warm Air Heating and Air Conditioning Systems (NFPA 90B) ANSI/NFPA 90B. In Canada, refer to the CAN/CGA-B/49.1- and .2-M95 National Standard of Canada, Natural Gas and Propane Installation Codes (NSCNGPIC). Wear safety glasses and work gloves. Have a fire extinguisher available during start-up and adjustment procedures and service calls.

### GENERAL

These instructions are written as if the furnace is installed in an upflow application. An upflow furnace application is where the blower is located below the combustion and controls section of the furnace, and conditioned air is discharged upward. Since this furnace can be installed in any of the 4 positions shown in Fig. 2, you may need to revise your orientation to component location accordingly.



A98308

Fig. 1—Multipoise Furnace in Upflow Orientation



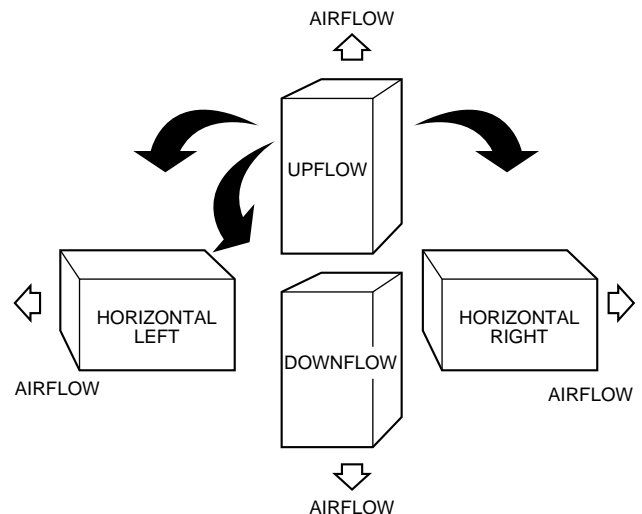
### ELECTROSTATIC DISCHARGE (ESD) PRECAUTIONS

**CAUTION:** Electrostatic discharge can affect electronic components. Take precautions during furnace installation and servicing to protect the furnace electronic control. Precautions will prevent electrostatic discharges from personnel and hand tools which are held during the procedure. These precautions will help to avoid exposing the control to electrostatic discharge by putting the furnace, the control, and the person at the same electrostatic potential.

1. Disconnect all power to the furnace. **DO NOT TOUCH THE CONTROL OR ANY WIRE CONNECTED TO THE CONTROL PRIOR TO DISCHARGING YOUR BODY'S ELECTROSTATIC CHARGE TO GROUND.**
2. Firmly touch a clean, unpainted, metal surface of the furnace chassis which is close to the control. Tools held in a person's hand during grounding will be satisfactorily discharged.
3. After touching the chassis you may proceed to service the control or connecting wires as long as you do nothing that recharges your body with static electricity (for example; **DO NOT** move or shuffle your feet, **DO NOT** touch ungrounded objects, etc.).
4. If you touch ungrounded objects (recharge your body with static electricity), firmly touch furnace again before touching control or wires.
5. Use this procedure for installed and uninstalled (ungrounded) furnaces.
6. Before removing a new control from its container, discharge your body's electrostatic charge to ground to protect the control from damage. If the control is to be installed in a furnace, follow items 1 through 5 before bringing the control or yourself into contact with the furnace. Put all used **AND** new controls into containers before touching ungrounded objects.
7. An ESD service kit (available from commercial sources) may also be used to prevent ESD damage.

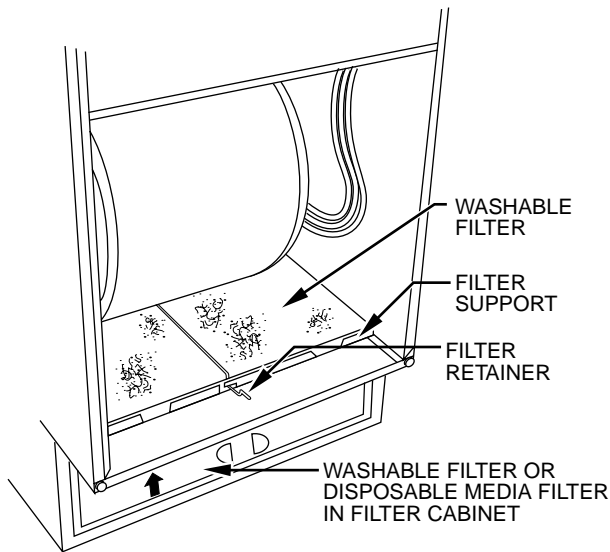
### CARE AND MAINTENANCE

For continuing high performance and to minimize possible furnace failure, it is essential that maintenance be performed annually. Consult your local dealer about proper maintenance and maintenance contract availability.



A93041

Fig. 2—Multipoise Orientation



**Fig. 3—Bottom Filter Arrangement**

A00232

**WARNING:** Turn off the gas and electrical supplies to the unit before performing any maintenance or service. Follow the operating instructions on the label attached to the furnace. Failure to follow this warning could result in personal injury or death.

The minimum maintenance that should be performed on this equipment is as follows:

1. Check and clean or replace air filter each month as needed.
2. Check blower motor and wheel for cleanliness annually.
3. Check electrical connections for tightness and controls for proper operation each heating season. Service as necessary.
4. Check for proper condensate drainage. Clean as necessary.
5. Check for blockages in combustion-air and vent pipes annually.
6. Check burners for cleanliness annually.

**CAUTION:** Personal injury could result from sharp metal edges, etc. Use care and wear protective clothing safety glasses, and gloves when removing parts.

**I. CLEANING AND/OR REPLACING AIR FILTER**

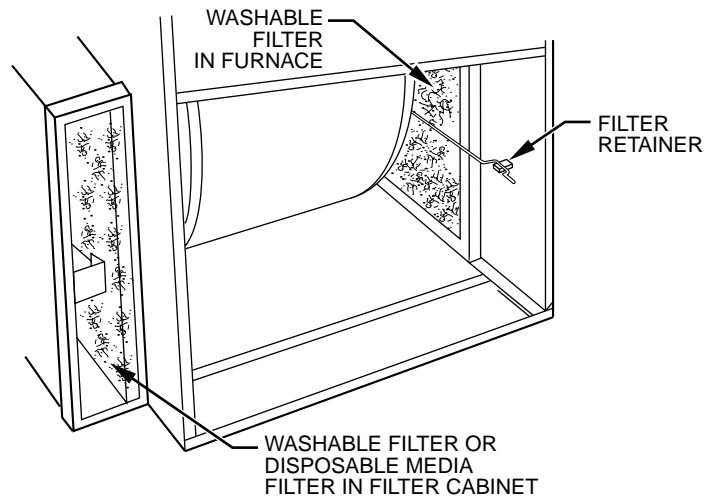
The air filter arrangement may vary depending on the application or orientation. Filter could be located in furnace blower compartment or in filter cabinet.

**WARNING:** Never operate unit without a filter or with the blower access panel removed. Failure to follow this warning could result in a fire or personal injury.

**CAUTION:** Operating a unit without a filter or with the blower access door removed could cause damage to the furnace blower motor. Dust and lint on internal parts of furnace can cause a loss of efficiency.

**NOTE:** If the filter has an airflow direction arrow, the arrow must point toward the blower.

To clean or replace filters, proceed as follows:



**Fig. 4—Filter Installed for Side Inlet**

A00233

If filter is installed in filter cabinet adjacent to furnace:

1. Turn off electrical supply to furnace.
2. Remove filter cabinet door.
3. Slide filter out of cabinet.
4. If equipped with permanent, washable filter, clean filter by spraying cold tap water through filter in opposite direction of airflow. Rinse filter and let dry. Oiling or coating of the filter is not recommended.
5. If equipped with factory specified disposable media filter, replace only with a factory-authorized media filter of the same size.
6. Slide filter into cabinet.
7. Replace filter cabinet door.
8. Turn on electrical supply to furnace.

If filter is installed in furnace blower compartment:

1. Turn off electrical supply to furnace.
2. Remove main furnace door and blower access panel.
3. Release filter retainer wire. (See Figs. 3 or 4.)
4. Slide filter out of furnace.
5. Furnaces are equipped with permanent, washable filter(s). Clean filter by spraying cold tap water through filter in opposite direction of airflow.
6. Rinse filter and let dry. Oiling or coating filter is not recommended.
7. Slide filter into furnace.
8. Recapture filter retainer wire.
9. Replace blower access panel and main furnace door.
10. Turn on electrical supply to furnace.

**II. BLOWER MOTOR AND WHEEL MAINTENANCE**

To ensure long life, economy, and high efficiency, clean accumulated dirt and grease from blower wheel and motor annually.

The inducer and blower motors are pre-lubricated and require no additional lubrication. These motors can be identified by the absence of oil ports on each end of the motor.


The following items should be performed by a qualified service technician.

Clean blower motor and wheel as follows:

1. Turn off electrical supply to furnace.
2. Remove main furnace door and blower access panel.
3. Disconnect blower motor wires from furnace control. Field thermostat connections may need to be disconnected depending on their length and routing.
4. Remove control box mounting screws, and position control box, transformer, and door switch assembly to right side of furnace casing.
5. If condensate trap is located in left- or right-hand side of furnace casing, proceed to item 6, otherwise remove trap and tubing as described below (see Fig. 8, top left):
  - a. Disconnect field drain connection from condensate trap.
  - b. Disconnect drain and relief port tubes from condensate trap.
  - c. Remove condensate trap from blower shelf.
6. Remove screws securing blower assembly to blower shelf and slide blower assembly out of furnace.
7. Clean blower wheel and motor by using a vacuum with soft brush attachment. Be careful not to disturb balance weights (clips) on blower wheel vanes. Do not bend wheel or blades as balance will be affected.
8. If greasy residue is present on blower wheel, remove wheel from the blower housing and wash it with an appropriate degreaser. To remove wheel:
  - a. Mark blower wheel location on shaft before disassembly to ensure proper reassembly.
  - b. Loosen setscrew holding blower wheel on motor shaft.

**NOTE:** Mark blower mounting arms and blower housing so each arm is positioned at the same hole location during reassembly.

- c. Mark blower wheel orientation and cutoff plate location to ensure proper reassembly.
- d. Remove screws securing cutoff plate and remove cutoff plate from housing.
- e. Remove bolts holding motor mounts to blower housing and slide motor and mounts out of housing. Disconnect capacitor and ground wire attached to blower housing before removing motor. Motor mounts need not be removed from motor.
- f. Remove blower wheel from housing.

 **CAUTION:** The blower wheel should not be dropped or betn as balance will be affected.

- g. Clean wheel per instructions on degreaser cleaner. Do not get degreaser in motor.
9. Reassemble motor and blower wheel by reversing items 8b through 8f. Ensure wheel is positioned for proper rotation. Be sure to attach ground wire. Tighten set-screw to 140 to 160 in.-lb torque.
10. Reinstall blower assembly in furnace.
11. Reinstall control box, transformer, and door switch assembly on blower shelf.
12. Reinstall condensate trap and tubing if previously removed.
  - a. Reinstall condensate trap in hole in blower shelf.
  - b. Connect condensate trap drain tubes. See Fig. 8 or tubing diagram on main furnace door for proper tube location.

**NOTE:** Ensure tubes are not kinked or pinched, as this will affect operation.

- (1.) Connect 1 tube (blue or blue and white striped) from collector box.

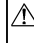
- (2.) Connect 1 tube (violet or unmarked) from inducer housing.
- (3.) Connect 1 tube (relief port, green or pink) from collector box.

c. Connect field drain to condensate trap.

13. Reconnect wires.

Refer to furnace wiring diagram and connect thermostat leads if previously disconnected. (See Fig. 15.)

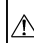
**NOTE:** Refer to Table 1 for motor speed lead reconnection if leads were not identified before disconnection.

 **CAUTION:** Heating speed selection **MUST** be adjusted to provide proper temperature rise as specified on the rating table. Failure to adjust the heating speed may shorten heat exchanger life.

**TABLE 1—SPEED SELECTION**

COLOR	SPEED	FACTORY ATTACHED TO
Black	High	Cool
Yellow (When Present)	Medium High	Spare
Blue	Medium Low	Heat
Red	Low	Spare
White	Common	Com

14. Turn on electrical supply. Manually close blower access door switch. Use a piece of tape to hold switch closed. Check for proper rotation and speed changes by perorming a componenet self-test as shown at the bottom of Service Label. (See Fig. 17.)

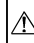
 **WARNING:** Blower access door switch opens 115-v power to furnace control. No component operation can occur. Caution must be taken when manually closing this switch for service purposes. Failure to follow this warning could result in personal injury or death.

15. If furnace is operating properly, release blower access door switch, replace blower access door, and replace main furnace door.

### III. CLEANING BURNERS

The following items should be performed by a qualified service technician. If the burners develop an accumulation of light dirt or dust, they may be cleaned by using the following procedure:

1. Turn off gas and electrical supplies to furnace.
2. Remove main furnace door.
3. Remove burner box cover.
4. Using backup wrench, disconnect gas supply pipe from furnace gas control valve.

 **CAUTION:** Label all wires prior to disconnection when servicing controls. Wiring errors can cause improper and dangerous operation.

5. Remove wires from gas valve. Note location for reassembly.
6. Remove burner box pressure tube from gas valve regulator fitting.

- Remove screws that secure manifold to burner box. (See Fig. 5.)

**NOTE:** Do not remove burner box from cell panel.

- Remove manifold, orifices, and gas valve as 1 assembly.
- Remove screws attaching burner assembly in burner box.
- Remove burner assembly from burner box.

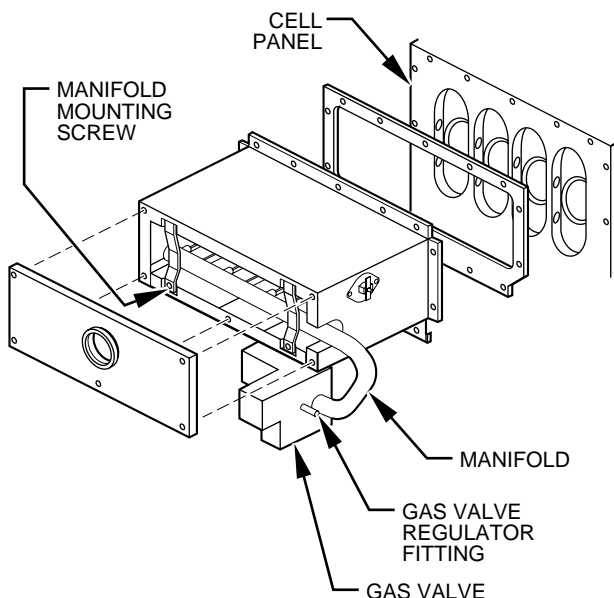
**NOTE:** All burners are attached to burner bracket and can be removed as 1 assembly.

- Clean burners with soft brush and vacuum.
- Reinstall manifold, orifice, and gas valve assembly in burner box. Ensure manifold seal grommet is installed properly and burners fit over orifices.
- Reconnect wires to gas valve. Refer to furnace wiring diagram for proper wire location.
- Reinstall burner box pressure tube to gas valve regulator fitting.
- Reinstall gas supply pipe to furnace gas control valve using backup wrench on gas valve to prevent rotation and improper orientation.

**NOTE:** Use propane gas resistant pipe dope to prevent gas leaks. DO NOT use Teflon tape.

**WARNING:** Gas valve switch MUST be facing forward or tilted upward. Failure to follow this warning could result in property damage, personal injury, or death.

- Replace burner box cover.
- Turn on gas and electrical supplies to furnace.



A96304

**Fig. 5—Burner Box Assembly**

**WARNING: FIRE OR EXPLOSION HAZARD**  
Failure to follow the safety warnings exactly could result in serious injury, death, or property damage. Never test for gas leaks with an open flame. Use a commercially available soap solution made specifically for the detection of leaks to check all connections. A fire or explosion may result causing property damage, personal injury, or loss of life.

- Check for gas leaks.
- Replace main furnace door.

#### IV. CLEANING HEAT EXCHANGERS

The following items should be performed by a qualified service technician.

##### A. Primary Heat Exchangers

If the heat exchangers get an accumulation of light dirt or dust on the inside, they may be cleaned by the following procedure:

**NOTE:** If the heat exchangers get a heavy accumulation of soot and carbon, both the primary and secondary heat exchangers should be replaced rather than trying to clean them thoroughly due to their intricate design. A build-up of soot and carbon indicates that a problem exists which needs to be corrected, such as improper adjustment of manifold pressure, insufficient or poor quality combustion air, improper vent termination, incorrect size or damaged manifold orifice(s), improper gas, or a restricted heat exchanger (primary or secondary). Action must be taken to correct the problem.

- Turn off gas and electrical supplies to furnace.
- Remove main furnace door.

**CAUTION:** Label all wires prior to disconnection when servicing controls. Wiring errors can cause improper and hazardous operation. .

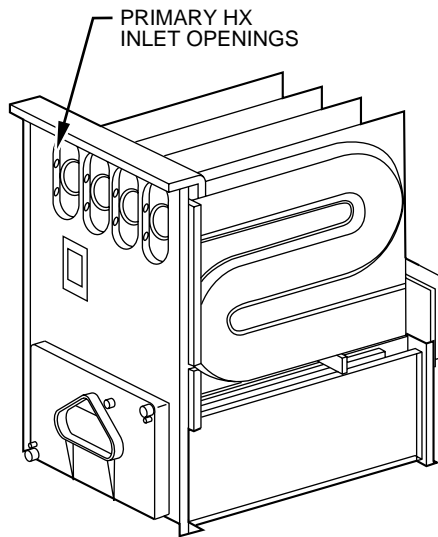
- Disconnect wires or connectors to flame rollout switch, gas valve, igniter, and flame sensor.
- Disconnect combustion-air intake pipe from intake housing.
- Remove the pressure switch tube from intake housing.
- Remove screws attaching intake housing to burner box, and rotate intake housing away from burner box for removal.
- Using backup wrench, disconnect gas supply pipe from gas valve.
- Disconnect pressure tubing from gas valve.
- Remove 2 screws attaching top filler panel and rotate upwards to gain access to screws attaching burner box to cell panel.
- Remove screws attaching burner box to cell panel. (See Fig. 5.)

**NOTE:** Burner box cover, manifold, gas valve, and burner assembly should be removed as 1 assembly.

- Clean heat exchanger openings with a vacuum and a soft brush. (See Fig. 6.)

**NOTE:** After cleaning, inspect the heat exchangers to ensure they are free of all foreign objects that may restrict flow of combustion products.

- Reverse items 4 through 10 for reassembly.



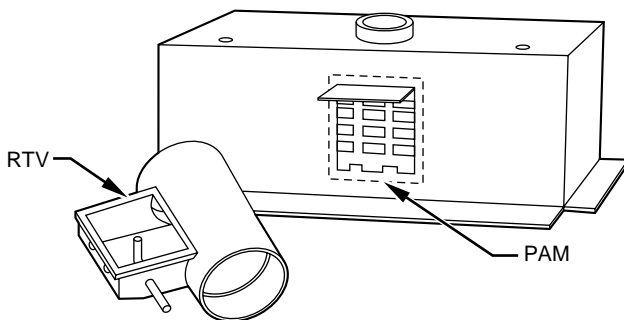
A96305

**Fig. 6—Cleaning Inlet Openings of Primary Heat Exchangers**

**CAUTION:** The ground wire from the gas valve **MUST** be attached to the burner box attachment screw. Failure to attach this ground wire to an adequate casing ground will cause the furnace control to lock out.

**NOTE:** Be sure burner box gasket is installed between burner box and cell panel. If gasket is damaged, replace it.

**NOTE:** Inspect combustion-air intake housing. If foamed gasket was removed, check for any damage. If gasket is damaged in any way, it must be repaired. To repair, remove damaged gasket section, apply sealant releasing agent such as PAM cooking spray or equivalent (must not contain corn or canola oil, aromatic or halogenated hydrocarbons or inadequate seal may occur) to burner box and apply a small bead of G.E. RTV 162, G.E. RTV 6702, or Dow-Corning RTV 738 sealant to edge of combustion-air intake housing. (See Fig. 7.)



A93087

**Fig. 7—Combustion-Air Intake Housing Gasket Repair**

13. Refer to furnace wiring diagram and reconnect wires to rollout switch, gas valve, igniter, and flame sensor.
14. Reconnect pressure switch tubes to gas valve and intake housing. Refer to tube routing label on main furnace door for proper tube location. Be sure tubes are not kinked. (See Fig. 8.)
15. Turn on gas and electrical supplies to furnace.
16. Check furnace operation through 2 complete heat operating cycles. Look through sight glass in burner enclosure to check burners. Burner flames should be clear blue, almost transparent. (See Fig. 9.)

**WARNING: FIRE OR EXPLOSION HAZARD**  
 Failure to follow the safety warnings exactly could result in serious injury, death, or property damage.  
 Never test for gas leaks with an open flame. Use a commercially available soap solution made specifically for the detection of leaks to check all connections. A fire or explosion may result causing property damage, personal injury, or loss of life.

17. Check for gas leaks.
18. Replace main furnace door.

### B. Secondary Heat Exchangers

**NOTE:** The condensing side (inside) of the secondary heat exchangers **CANNOT** be serviced or inspected. A small number of bottom outlet openings can be inspected by removing the inducer assembly. See Flushing Collector Box and Drainage System section for details on removing inducer assembly.

### V. FLUSHING COLLECTOR BOX AND DRAINAGE SYSTEM

1. Turn off gas and electrical supplies to furnace.
2. Remove main furnace door.
3. Disconnect inducer motor and pressure switch wires or connectors.
4. Disconnect pressure switch tubes.
5. Disconnect vent pipe from inducer housing outlet by loosening coupling clamp on inducer outlet.
6. Disconnect drain tube from inducer housing. (See Fig. 8.)
7. Remove inducer housing assembly by removing 4 bolts attaching assembly to cell panel.
8. Flush inside of collector box with water until discharge from condensate trap is clean and runs freely.

**NOTE:** Ensure the drain tube disconnected from the inducer housing is higher than the collector box opening or water will flow out tube.

9. Inspect inside area of collector box for any pieces of foreign materials and remove if present.

**CAUTION:** DO NOT use wire brush or other sharp object to inspect or dislodge materials in secondary heat exchangers as failure of the secondary heat exchanger will occur. Flush with water only.

10. Reassemble inducer assembly by reversing items 5-7. Tighten the vent coupling clamp screw(s) to 15 in.-lb of torque.

**NOTE:** If seal between the inducer housing and the collector box is damaged in any way, it must be repaired. To repair, apply sealant releasing agent such as PAM cooking spray or equivalent (must not contain corn or canola oil, aromatic or halogenated hydrocarbons which can cause an inadequate seal to occur) to inducer housing. (See Fig. 10.) Apply a small bead of G.E. RTV 162, G.E. RTV 6702, or Dow-Corning RTV 738 sealant to groove in collector box.

11. Refer to furnace wiring diagram and reconnect wires to inducer motor and pressure switches or connectors.
12. Reconnect pressure tubes to pressure switches. See diagram on main furnace door for proper location of tubes. Be sure tubes are not kinked. (See Fig. 8.)
13. Turn on gas and electrical supplies to furnace.

- Check furnace operation through 2 complete heat operating cycles. Check area below inducer housing, vent pipe, and condensate trap to ensure no condensate leaks occur. If leaks are found, correct the problem.

**WARNING: FIRE OR EXPLOSION HAZARD**

Failure to follow the safety warnings exactly could result in serious injury, death, or property damage.

Never test for gas leaks with an open flame. Use a commercially available soap solution made specifically for the detection of leaks to check all connections. A fire or explosion may result causing property damage, personal injury, or loss of life.

- Remove main furnace door.
- Disconnect igniter wire connection.
- Check igniter resistance.
  - Using an ohm meter, check resistance across both igniter leads in connector.
  - Cold reading should be between 45 ohms and 90 ohms.
  - If ohm reading is higher than 110 ohms, igniter is cracked and must be replaced.
- Remove igniter assembly.

**CAUTION:** Allow igniter to cool before removal. Normal operating temperatures exceed 2000°F.

- Check for gas leaks.
- Replace main furnace door.

**VI. SERVICING HOT SURFACE IGNITER**

The igniter does NOT require annual inspection. Check igniter resistance before removal.

- Turn off gas and electrical supplies to furnace.

- Do not remove igniter from bracket while assembly is in furnace. Using a 1/4 in. nutdriver, remove screw securing bracket and igniter assembly to bottom of burner box. The screw in the bracket is always located toward outside of burner box. The screw may be hidden by inlet

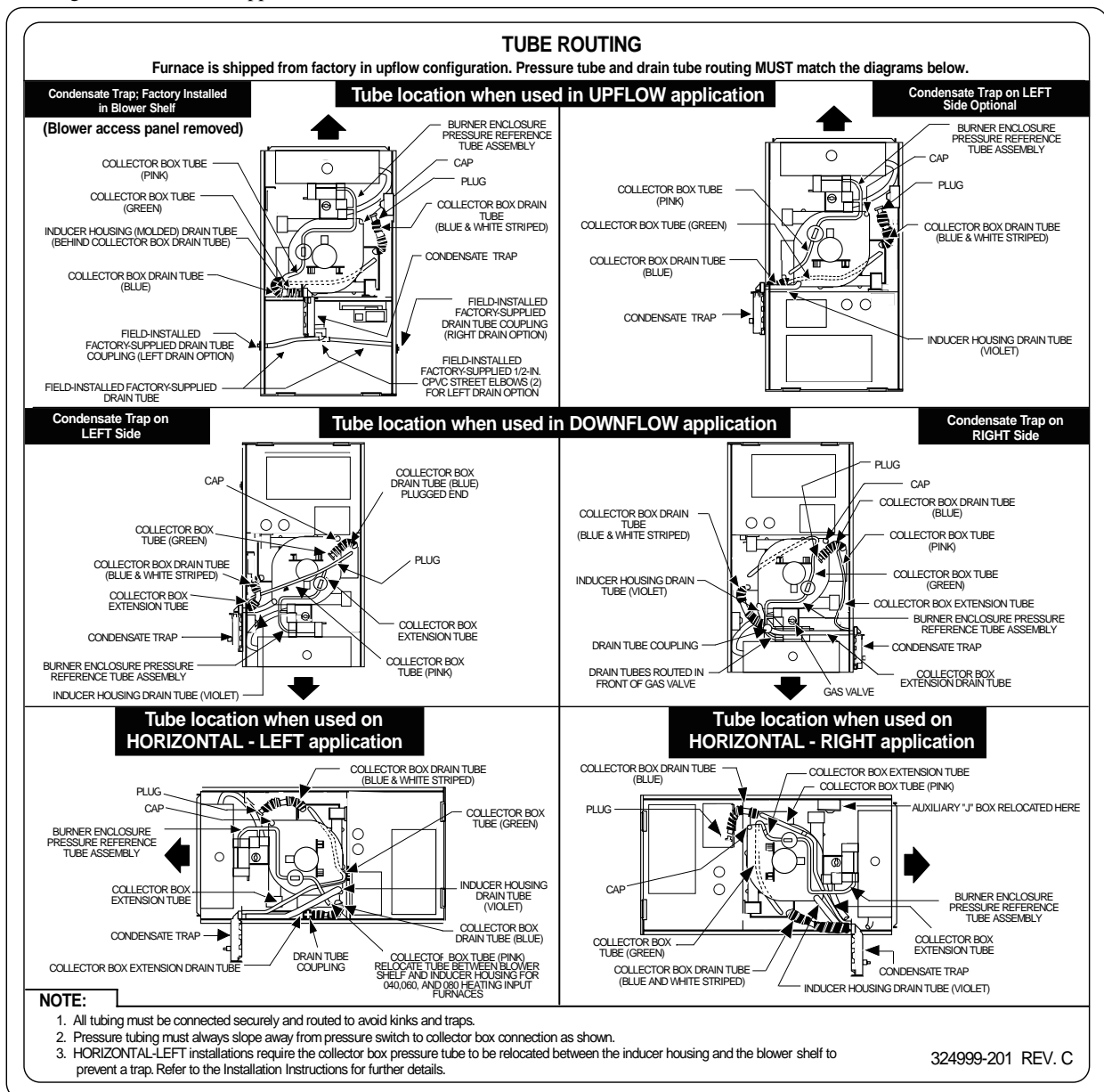


Fig. 8—Furnace Pressure and Drain Tubing Diagram

box or inlet pipe, but can be removed without removing either. After removing screw, slide igniter and bracket toward outside of burner box and pull straight out.

**CAUTION:** The igniter is fragile. DO NOT allow it to hit the side of the burner box opening while removing or replacing it.

b. Inspect igniter for a white area indicating a crack may be present. If found, replace igniter.

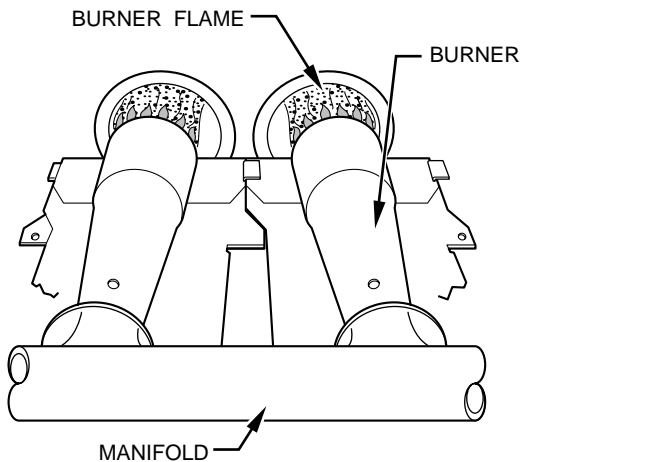
**NOTE:** A small crack cannot be seen on a new igniter. After a period of operation, a white area will be visible around the crack.

c. If replacement is required, replace igniter on igniter bracket external to furnace to avoid damage as the silicon portion is very brittle and will easily crack or shatter.

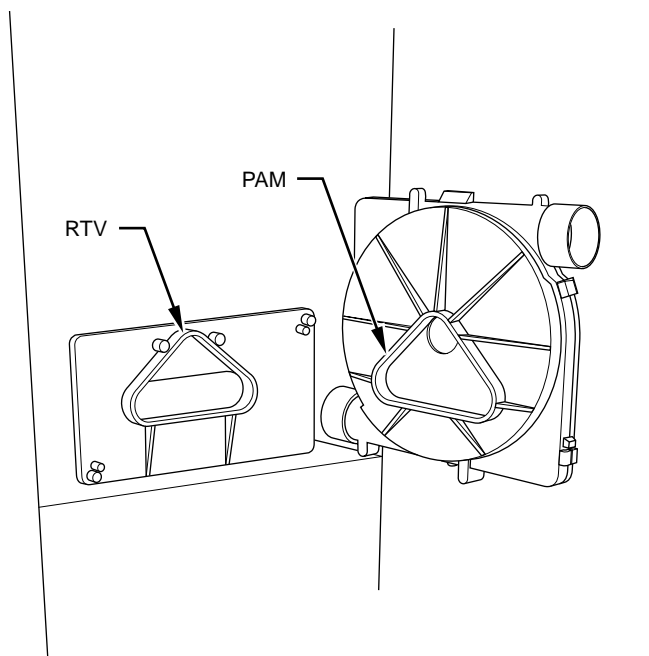
d. To remove igniter from igniter bracket, remove screw holding igniter ceramic block to bracket and pull ceramic block out of bracket.

6. To replace igniter/igniter assembly, reverse items 5a through 5d.

7. Reconnect igniter wire connection.



**Fig. 9—Burner Flame**



**Fig. 10—Gasket on Collector Box**

8. Turn on gas and electrical supplies to furnace.

9. Verify igniter operation by initiating furnace control self-test feature or by cycling thermostat.

10. Replace main furnace door.

## VII. ELECTRICAL CONTROLS AND WIRING

**CAUTION:** There may be more than 1 electrical supply to the unit. Check accessories and cooling unit for additional electrical supplies.

The electrical ground and polarity for 115-v wiring must be maintained properly. Refer to Fig. 11 for field wiring information and to Fig. 15 for unit wiring information.

**NOTE:** If the polarity is not correct, the STATUS LED on the furnace control will flash rapidly and prevent the furnace from operating. The control system also requires an earth ground for proper operation of the furnace control and flame sensor.

The 24-v circuit contains an automotive-type, 3-amp fuse located on the control center. (See Fig. 11.) Any direct shorts of the 24-v wiring during installation, service, or maintenance will cause this fuse to blow. If fuse replacement is required, use ONLY a fuse of identical size (3 amp). The control LED will flash status code 24 when fuse needs to be replaced.

With power to the unit disconnected, check all electrical connections for tightness. Tighten all screws on electrical connections. If any smoky or burned connections are found, disassemble the connection, clean all parts, strip wire, and reassemble properly and securely.

Reconnect electrical supply to unit and observe unit through 1 complete operating cycle for proper operation.

## VIII. CHECKING HEAT TAPE OPERATION (IF APPLICABLE)

In applications where the ambient temperature around the furnace is 32°F or lower, freeze protection measures are required. If heat tape has been applied, check to ensure it will operate when low temperatures are present.

**CAUTION:** If this furnace is to be operated in an unconditioned space where the ambient temperatures may be 32°F or lower, freeze protection measures must be taken. (See Fig. 13.)

**NOTE:** See CONDENSATE DRAIN PROTECTION section of Installation, Start-Up, and Operating Instructions.

**NOTE:** Heat tape, when used, should be wrapped around the condensate drain trap and drain line. There is no need to use heat tape within the furnace casing. Most heat tapes are temperature activated, and it is not practical to verify the actual heating of the tape. Check the following:

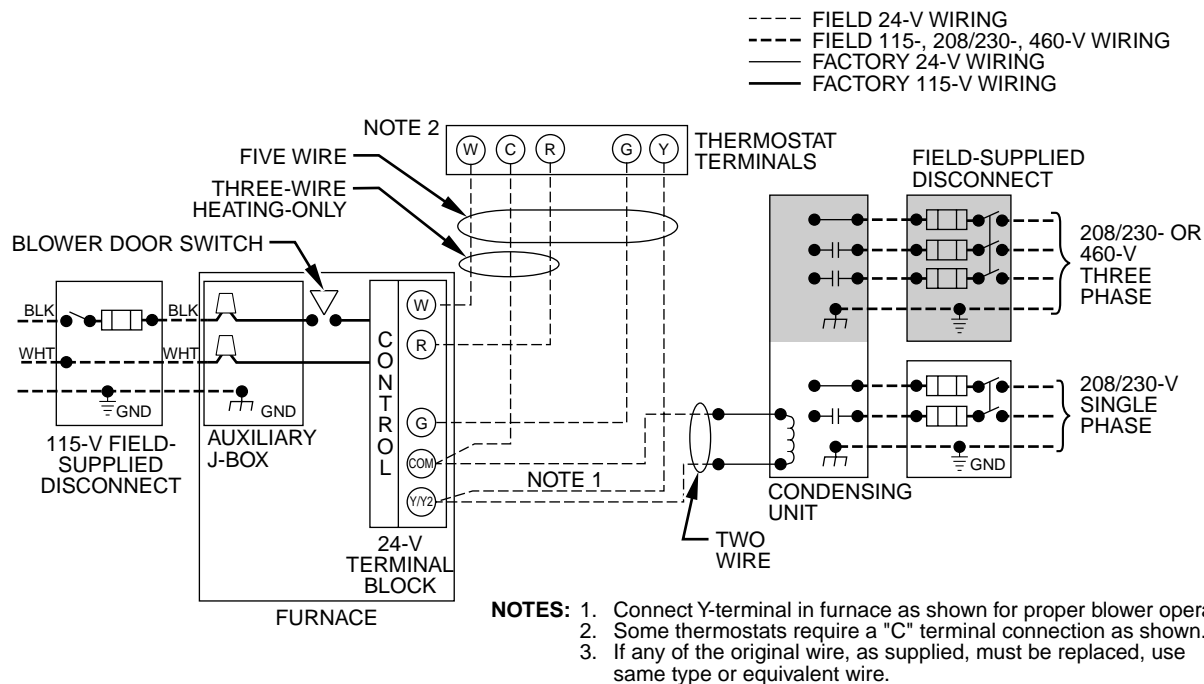
1. Check for signs of physical damage to heat tape such as nicks, cuts, abrasions, gnawing by animals, etc.
2. Check for discolored heat tape insulation. If any damage or discolored insulation is evident, replace heat tape.
3. Check that heat tape power supply circuit is on.

## IX. WINTERIZING

**CAUTION:** Freezing condensate left in the furnace will damage the equipment.

If the furnace will be off for an extended period of time in a structure where the temperature will drop to 32° or below, winterize as follows:





A99440

Fig. 11—Field Wiring

1. Turn off electrical supply to furnace.
2. Remove main furnace door.
3. Disconnect cap from unused drain tap on inducer housing. (See Fig. 14.)
4. Connect field-supplied 1/2-in. I.D. tube to upper inducer housing drain connection.
5. Insert funnel in drain tube and pour up to 1 quart antifreeze, propylene glycol (RV, swimming pool antifreeze, or equivalent) into funnel until it is visible at point where condensate enters open drain. (See Fig. 15.)
6. Reconnect drain cap to inducer housing.
7. Replace main furnace door.

**CAUTION:** Do not use ethylene glycol (Prestone II antifreeze/coolant or equivalent automotive type). Failure of plastic components will occur.

8. Propylene glycol need not be removed before restarting furnace.

### WIRING DIAGRAM

See Fig. 16 for Wiring Diagram.

### TROUBLESHOOTING

Use the Troubleshooting Guide, the status code LED on the control and the Component Test to isolate furnace operation problems.

#### A. Status Codes

For an explanation of status codes, refer to service label located on back of main furnace door or Fig. 17 and the Troubleshooting Guide. The stored status codes will NOT be erased from the control memory if 115- or 24-v power is interrupted. The control will store up to 7 Status Codes.

**NOTE:** Removing the blower access door will open the blower access door switch and terminate 115-v power to the control.

To read current status code, remove main furnace door. The status code LED can be viewed through the sight glass on the blower access door.

**NOTE:** NO thermostat signals may be present at control and all blower off delays must be completed to view previous codes.

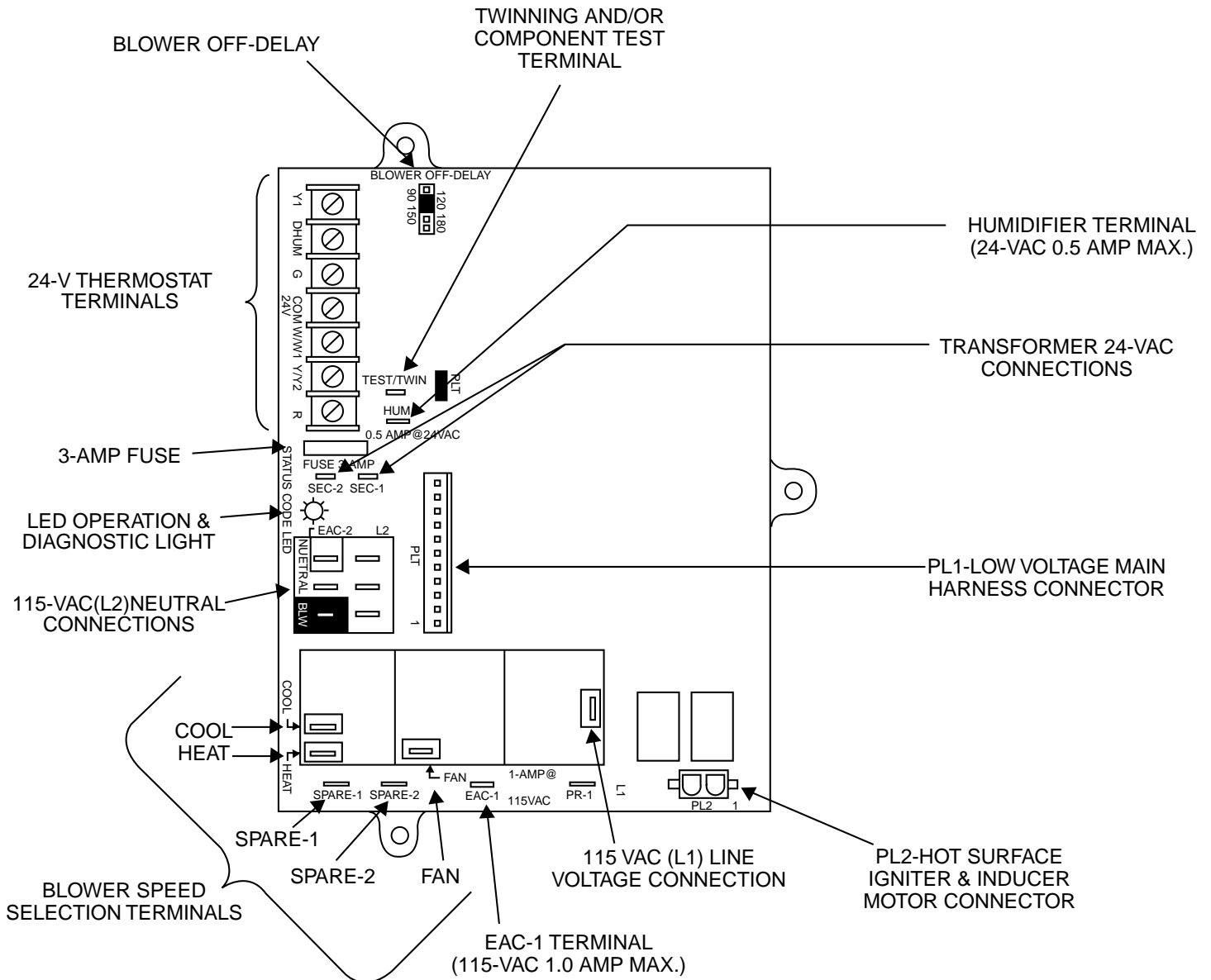
To retrieve previous codes, remove 1 of the red main limit or flame rollout switch wires for 1 to 4 sec until the LED light goes out, then reconnect it. (Do not leave red wire disconnected for longer periods of time as the control will assume an overtemperature condition exists and will respond with blower operation.) This places the control in the status recall mode and displays the first code stored in memory.

Record the code and repeat the disconnect and reconnect of the red wire, recording each code until code 11 is displayed indicating no addition codes. After the last code is displayed or after 2 minutes in the code recall mode the control will return to normal standby mode.

#### B. Component Test

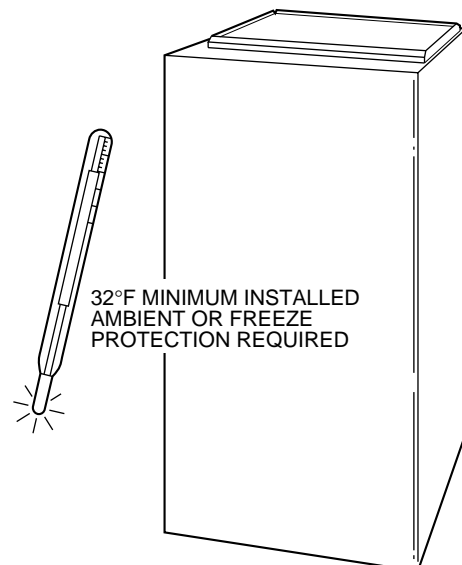
**WARNING:** Blower access panel door switch opens 115-v power to control center. No component operation can occur. Caution must be taken when manually closing this switch for service purposes. Failure to follow this warning could result in electrical shock, personal injury, or death.

Use the Component Test to check furnace components for proper operation. To initiate the component self-test sequence, shut off the room thermostat or disconnect the "R" thermostat lead. Briefly (approximately 2 sec) short the TWIN/TEST terminal to the Com 24V terminal. The status LED will turn off. The test sequence will be as follows:



**Fig. 12— Control Center**

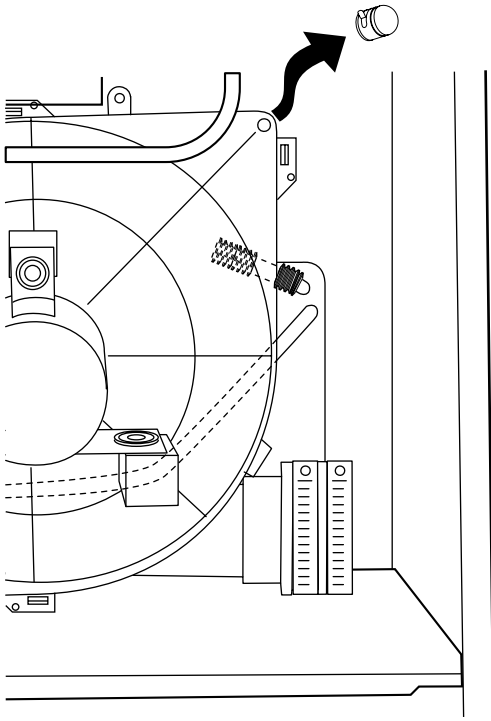
1. LED flashes a current status code, or code 11, 4 times. Record this status code for further troubleshooting.
2. The inducer will start and continue to run until test is over.
3. Hot surface igniter (HSI) is energized for 15 sec, then de-energized.
4. The blower motor operates on HEATING speed for 10 sec, then turns off.
5. The blower motor operates on COOLING speed for 10 sec, then turns off.
6. Blower operates on continuous fan speed, then turns off.
7. Inducer turns off.
8. The gas valve and humidifier terminal HUM are not energized for safety reasons.



**Fig. 13—Winterizing the Furnace**

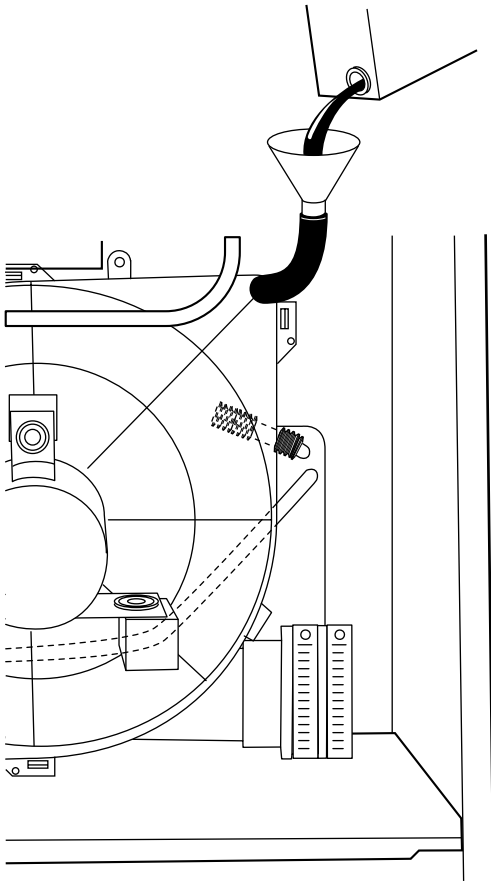
A02142

A93058



**Fig. 14—Inducer Housing Drain Tube**

A99118



**Fig. 15—Funnel in Drain and Antifreeze Running Through Trap**

A99119

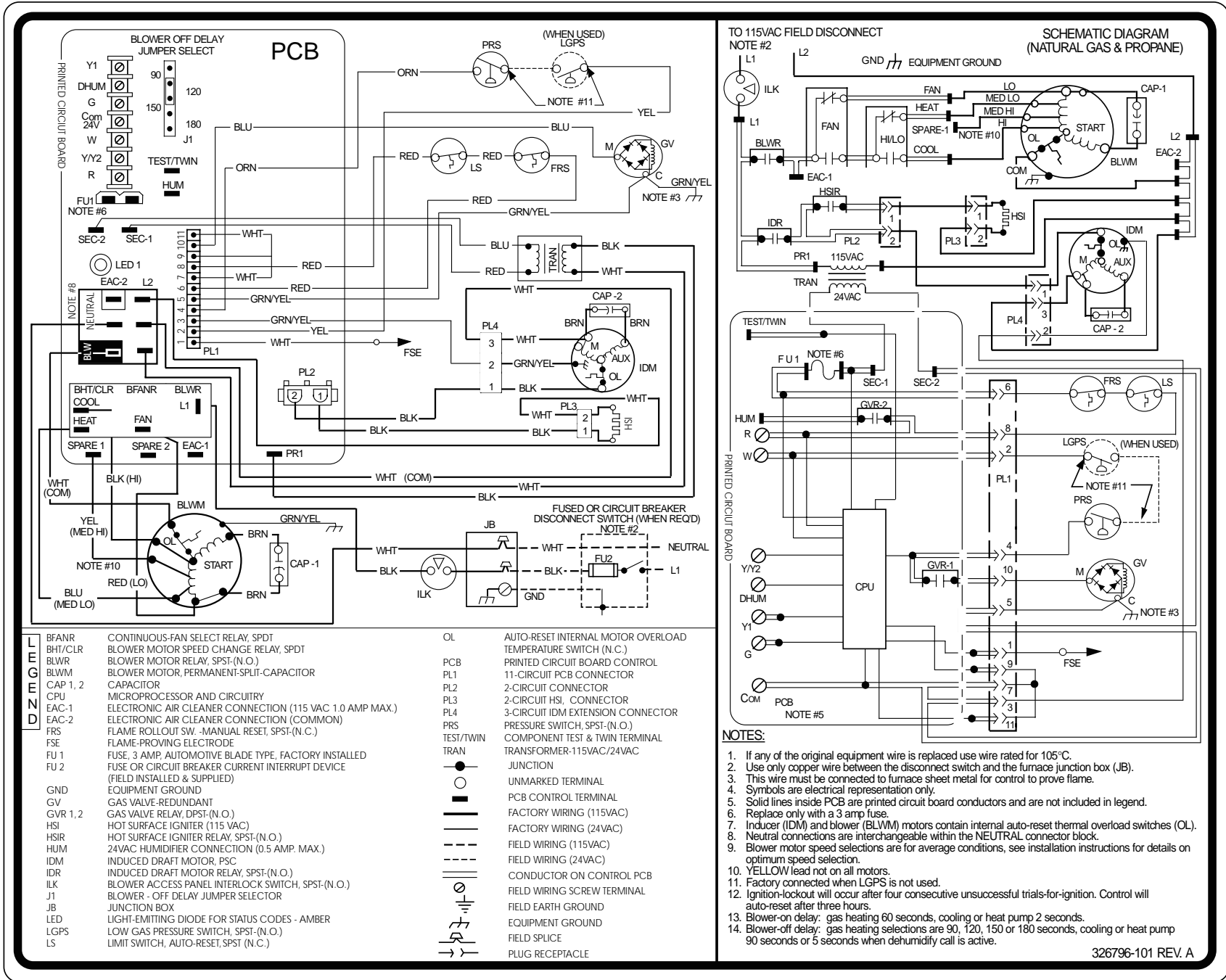


Fig. 16—Wiring Diagram

A02157

326796-101 REV. A

## SERVICE

If status code recall is needed, briefly remove then reconnect one main limit wire to display stored status code. On RED LED boards do not remove power or blower door before initiating status code recall. After status code recall is completed component test will occur.

### LED CODE

### STATUS

- CONTINUOUS OFF** - Check for 115VAC at L1 & L2, & 24VAC at SEC-1 & SEC-2.  
**CONTINUOUS ON** - Control has 24VAC power.  
**RAPID FLASHING** - Line voltage (115VAC) polarity reversed. If twinned, refer to twinning kit instructions.

EACH OF THE FOLLOWING STATUS CODES IS A TWO DIGIT NUMBER WITH THE FIRST DIGIT DETERMINED BY THE NUMBER OF SHORT FLASHES AND THE SECOND DIGIT BY THE NUMBER OF LONG FLASHES.

- 11 NO PREVIOUS CODE** - Stored status code is erased automatically after 72 hours. On RED LED boards stored status codes can also be erased when power (115 VAC or 24 VAC) to control is interrupted.
- 12 BLOWER ON AFTER POWER UP** (115 VAC or 24 VAC) - Blower runs for 90 seconds, if unit is powered up during a call for heat (R-W closed) or R-W opens during blower on-delay.
- 13 LIMIT CIRCUIT LOCKOUT** - Lockout occurs if the limit or flame rollout switch is open longer than 3 minutes.  
- Control will auto reset after three hours. - Refer to #33.
- 14 IGNITION LOCKOUT** - Control will auto-reset after three hours. Refer to #34.
- 21 GAS HEATING LOCKOUT** - Control will NOT auto reset.  
Check for: - Mis-wired gas valve - Defective control (valve relay)
- 22 ABNORMAL FLAME-PROVING SIGNAL** - Flame is proved while gas valve is de-energized. Inducer will run until fault is cleared. Check for:  
- Leaky gas valve - Stuck-open gas valve
- 23 PRESSURE SWITCH DID NOT OPEN** Check for:  
- Obstructed pressure tubing. - Pressure switch stuck closed.
- 24 SECONDARY VOLTAGE FUSE IS OPEN** Check for:  
- Short circuit in secondary voltage (24VAC) wiring.
- 31 PRESSURE SWITCH DID NOT CLOSE OR REOPENED** - If open longer than five minutes, inducer shuts off for 15 minutes before retry. Check for:  
- Excessive wind - Proper vent sizing - Defective inducer motor  
- Low inducer voltage (115VAC) - Defective pressure switch  
- Inadequate combustion air supply - Restricted vent  
- Disconnected or obstructed pressure tubing  
- Low inlet gas pressure (if LGPS used)  
If it opens during blower on-delay period, blower will come on for the selected blower off-delay.
- 33 LIMIT CIRCUIT FAULT** - Indicates a limit, or flame rollout is open. Blower will run for 4 minutes or until open switch remakes whichever is longer. If open longer than 3 minutes, code changes to lockout #13. If open less than 3 minutes status code #33 continues to flash until blower shuts off. Flame rollout switch requires manual reset. Check for: - Restricted vent  
- Proper vent sizing - Loose blower wheel - Excessive wind  
- Dirty filter or restricted duct system.  
- Defective blower motor or capacitor. - Defective switch or connections.  
- Inadequate combustion air supply (Flame Roll-out Switch open).
- 34 IGNITION PROVING FAILURE** - Control will try three more times before lockout #14 occurs. If flame signal lost during blower on-delay period, blower will come on for the selected blower off-delay. Check for: - Control ground continuity  
- Flame sensor must not be grounded  
- Oxide buildup on flame sensor (clean with fine steel wool).  
- Proper flame sense microamps (.5 microamps D.C. min., 4.0 - 6.0 nominal).  
- Gas valve defective or gas valve turned off - Manual valve shut-off  
- Defective Hot Surface Ignitor  
- Low inlet gas pressure  
- Inadequate flame carryover or rough ignition  
- Green/Yellow wire **MUST** be connected to furnace sheet metal
- 45 CONTROL CIRCUITRY LOCKOUT** Auto-reset after one hour lockout due to;  
- Gas valve relay stuck open - Flame sense circuit failure  
- Software check error  
Reset power to clear lockout. Replace control if status code repeats.

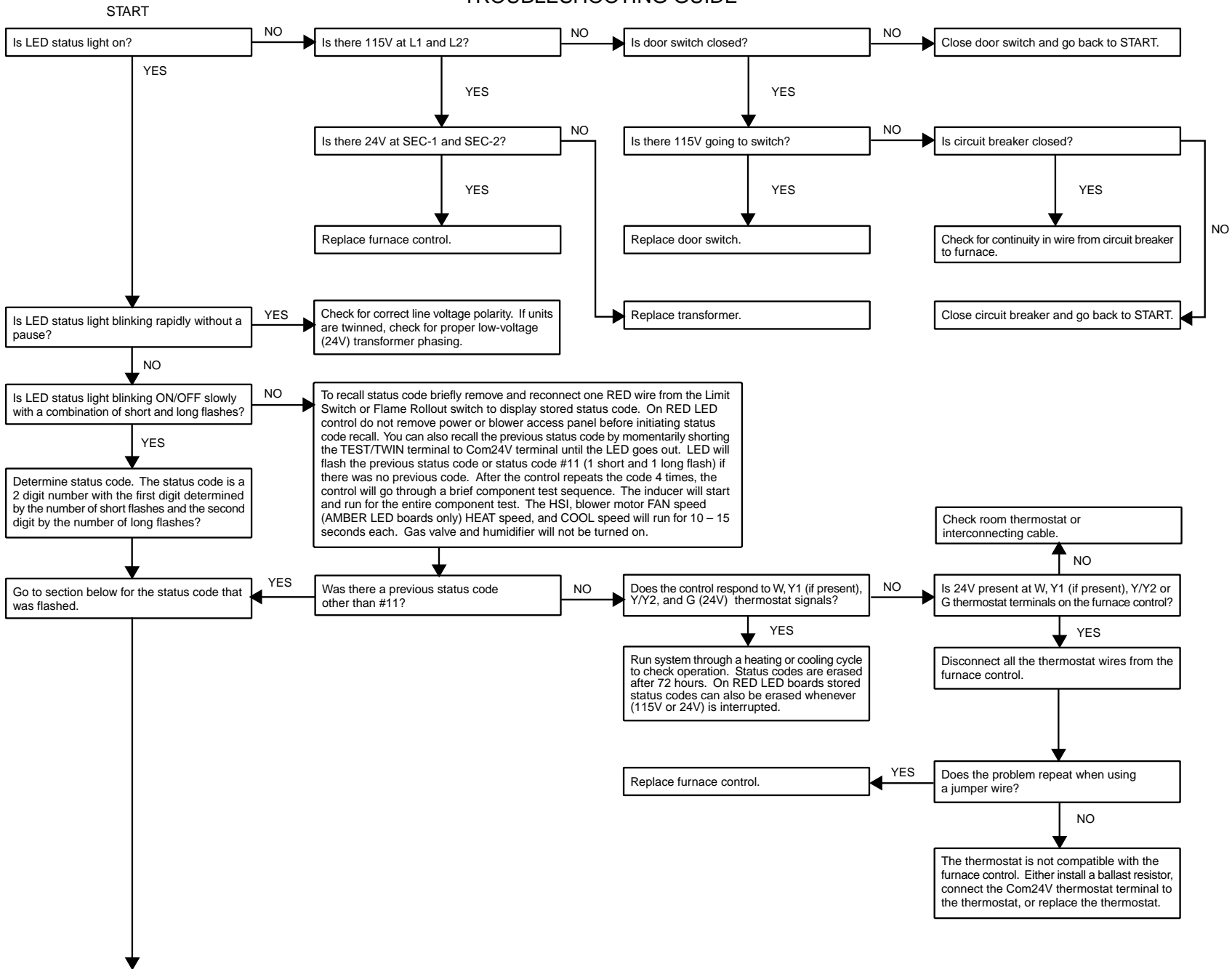
## COMPONENT TEST

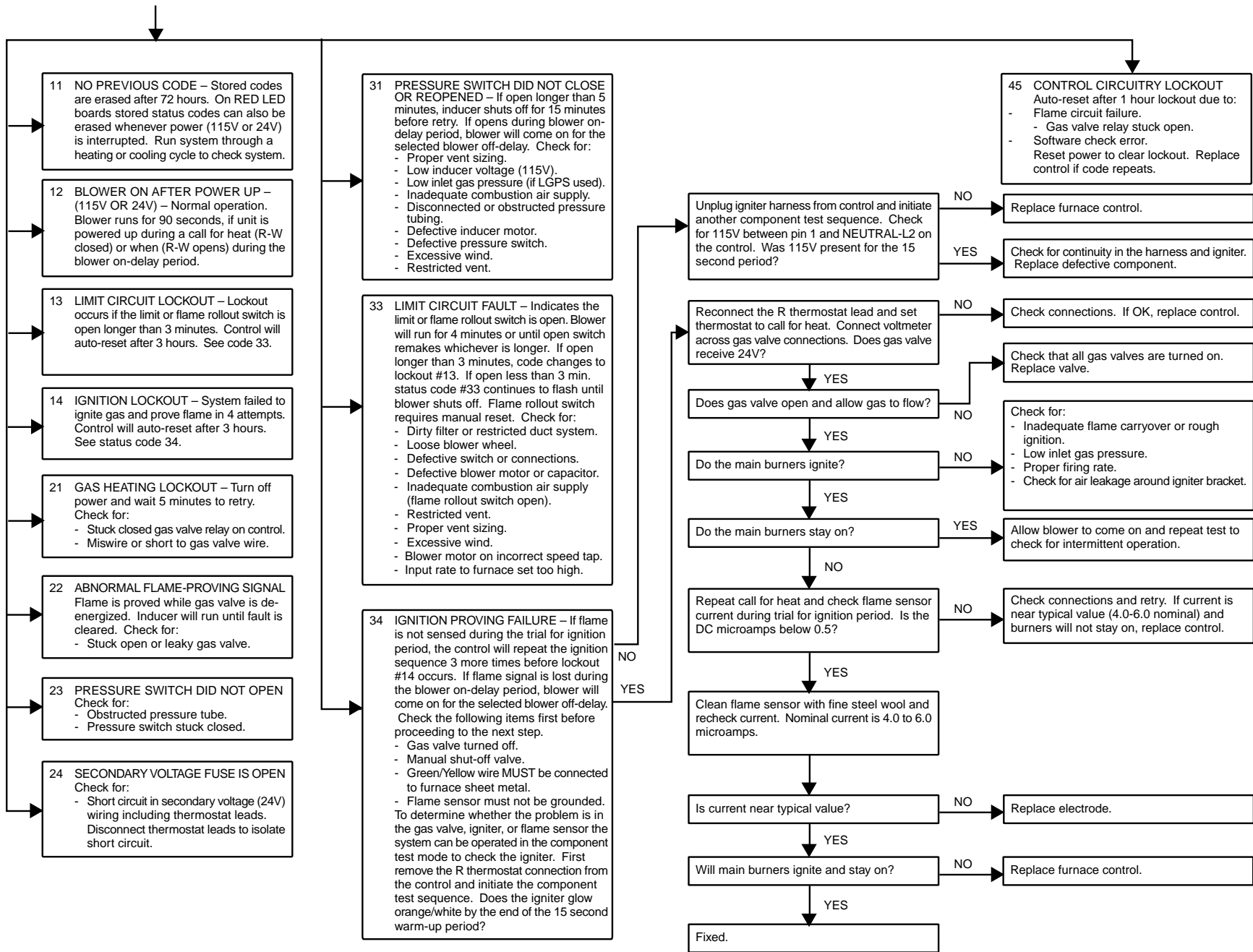
To initiate the component test sequence, shut OFF the room thermostat or disconnect the "R" thermostat lead. Briefly short the TEST/TWIN terminal to the "Com 24V" terminal. Status LED will flash code and then turn ON the inducer motor. The inducer motor will run for the entire component test. The hot surface ignitor, blower motor FAN speed (AMBER LED boards only) blower motor HEAT speed, and blower motor COOL speed will be turned ON for 10-15 seconds each. Gas Valve and Humidifier will not be turned on.

327884-101 REV. A

Fig. 17—Service Label

# TROUBLESHOOTING GUIDE









## Free Manuals Download Website

<http://myh66.com>

<http://usermanuals.us>

<http://www.somanuals.com>

<http://www.4manuals.cc>

<http://www.manual-lib.com>

<http://www.404manual.com>

<http://www.luxmanual.com>

<http://aubethermostatmanual.com>

Golf course search by state

<http://golfingnear.com>

Email search by domain

<http://emailbydomain.com>

Auto manuals search

<http://auto.somanuals.com>

TV manuals search

<http://tv.somanuals.com>