

**brother**<sup>®</sup>

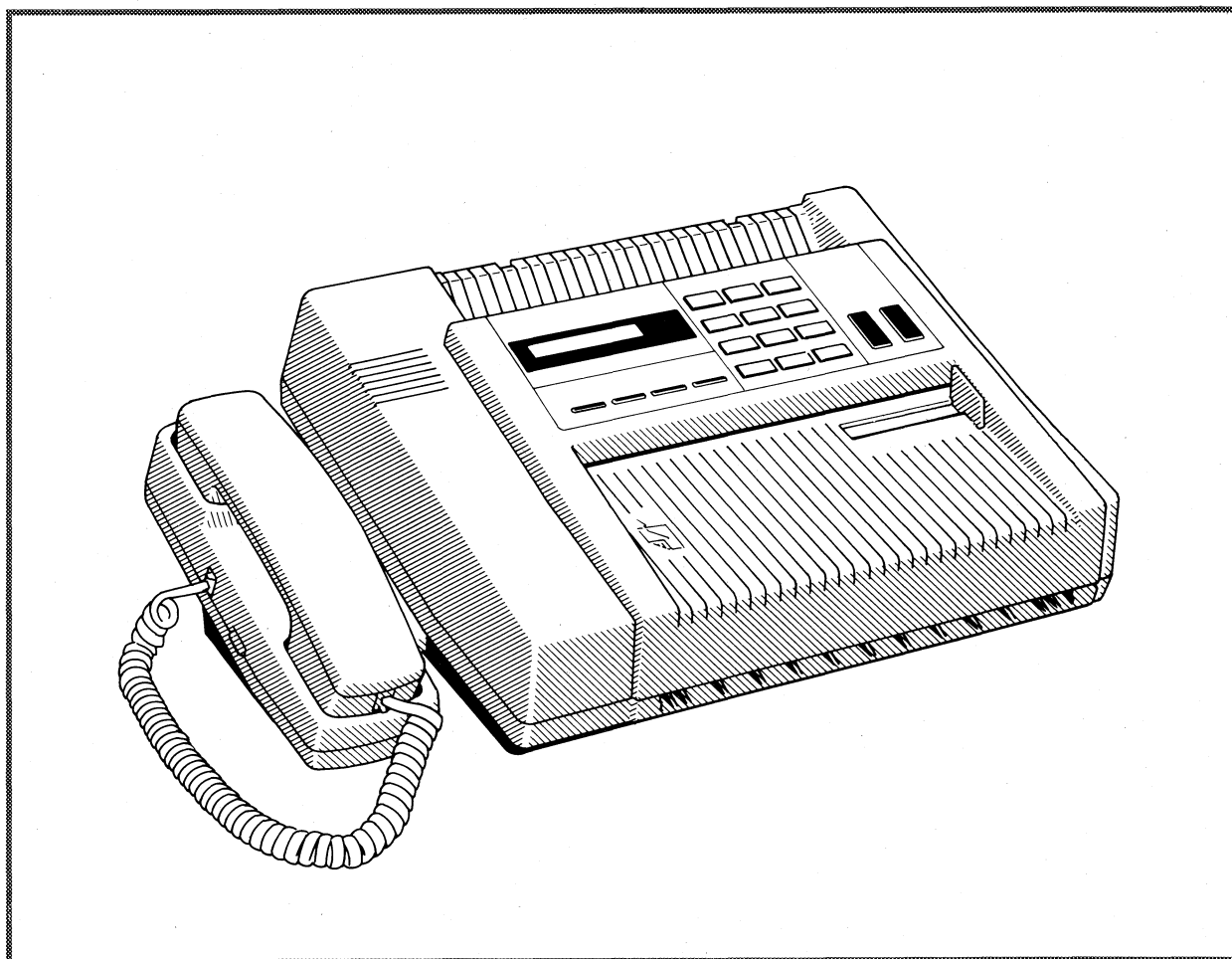
---

---

---

**FAX-200**

**Owner's Manual**





This unit generates, uses and can radiate radio frequency energy and if not installed and used in accordance with the Owner's Manual, may cause interference to radio and television reception. It has been tested and found to comply with the limits for a Class B computing device in accordance with the specifications of Subpart J of Part 15 of the FCC rules, which are designed to provide reasonable protection against such interference in a residential installation. However, there is no guarantee that interference will not occur in a particular installation. If this unit does cause interference (such as static) to radio or television reception, which can be determined by turning the unit off and on, the user is encouraged to try to correct the interference by employing one or more of the following measures:

- change the location of the receiving antenna (indoor type)
- move the unit away from the radio or TV
- plug the unit into a different outlet so that the unit and the radio or TV are on different branch circuits.

If necessary, the user should consult the dealer or an experienced radio/TV technician for additional suggestions. The user may find the following booklet prepared by the Federal Communications Commission helpful: "How to Identify and Resolve Radio-TV Interference Problems". This booklet is available from the U.S. Government Printing Office, Washington, D.C., 20402, Stock No. 004-000-00345-4.

**Brother cannot accept any financial or other responsibilities that may be the result of your use of this information, including direct, indirect, special or consequential damages. There are no warranties extended or granted by this document.**

The serial number may be found on the label affixed to the bottom of the unit. For your convenience, note this number below and retain this Owner's Manual to serve as a permanent record of your purchase, in the event of a theft or fire or for future reference.

MODEL NO. FAX-200    SERIAL NO. \_\_\_\_\_  
NAME OF DEALER \_\_\_\_\_  
DATE OF PURCHASE \_\_\_\_\_

This equipment complies with Part 68 of the FCC Rules. On the rear panel of this equipment is a label that contains, among other information, the FCC Registration Number and Ringer Equivalence Number (REN) for this equipment. You must, upon request, provide this information to your telephone company.

Ask your telephone company or installer to install the jack suitable for your device if such is not available.

The REN is useful to determine the quantity of devices you may connect to your telephone line and still have those devices ring when your telephone number is called. In most, but all areas, the sum of the RENs of all devices connected to one line should not exceed five (5.0). To be certain of the number of devices you may connect to your line, as determined by the REN, you should contact your local telephone company to determine the maximum REN for your calling area.

If your telephone equipment causes harm to the telephone network, the Telephone Company may discontinue your service temporarily. If possible, they will notify you in advance. But if advanced notice isn't practical, you will be notified as soon as possible. You will be informed of your right to file a complaint with the FCC.

Your Telephone Company may make changes in its facilities, equipment, operations or procedures that could affect the proper functioning of your equipment. If they do, you will be notified in advance to give you an opportunity to maintain uninterrupted telephone service.

If you experience trouble with this telephone equipment, please contact the manufacturer's authorized service agency for information on obtaining service or repair. The telephone company may ask that you disconnect this equipment from the network until the problem has been corrected or until you are sure that the equipment is not malfunctioning.

**WARNING:**

For protection against the risk of electrical shock, always disconnect all cables from the wall outlet before servicing, modifying or installing the equipment.

This equipment may not be used on coin service provided by the Telephone Company nor connected to party lines.

## IMPORTANT FCC NOTICES

---

**This equipment is hearing-aid compatible.**

---

### WHEN PROGRAMMING EMERGENCY NUMBERS AND/OR MAKING TEST CALLS TO EMERGENCY NUMBERS

1. **Remain on line and briefly explain to the dispatcher the reason for the call before hanging up.**
  2. **Perform such activities in the off-peak hours, such as early morning or late evening.**
- 

## IMPORTANT SAFETY INSTRUCTIONS

1. Read all of these instructions.
2. Save them for later reference.
3. Follow all warnings and instructions marked on the product.
4. Unplug this product from the wall outlet before cleaning. Do not use liquid or aerosol cleaners, Use a damp cloth for cleaning.
5. Do not use this product near water.
6. Do not place this product on an unstable cart, stand, or table. The product may fall, causing serious damage to the product.
7. Slots and openings in the cabinets and the back or bottom are provided for ventilation; to ensure reliable operation of the product and to protect it from overheating. These openings must not be blocked or covered. The openings should never be blocked by placing the product on a bed, sofa, rug or other similar surface. This product should never be placed near or over a radiator or heat register. This product should not be placed in a built-in installation unless proper ventilation is provided.
8. This product should be operated from the type of power source indicated on the marking label. If you are not sure of the type of power available, consult your dealer or local power company.

9. This product is equipped with a 3-wire grounding type plug, a plug having a third (grounding) pin. This plug will only fit into a grounding-type power outlet. This is a safety measure/ If you are unable to insert the plug into the outlet, contact your electrician to replace your obsolete outlet. Do not defeat the purpose of the grounding-type plug.
10. Do not allow anything to rest on the power cord. Do not locate this product where persons will walk on the cord.
11. If an extension cord is used with this product, make sure that the total of the ampere ratings on the product plugged into the extension cord do not exceed the extension cord ampere rating. Also, make sure that the total of all products plugged into the wall outlet does not exceed 15 amperes.
12. Never push objects of any kind into this product through cabinet slots as they may be dangerous voltage points or short out parts that could result in a risk of fire or electric shock. Never spill liquid of any kind on the product.
13. Do not attempt to service this product yourself, as opening or removing covers may expose you to dangerous voltage points or other risks.. Refer all servicing to service personnel.
14. Unplug this product from the wall outlet and refer servicing to qualified service personnel under the following conditions:
  - A. When the power cord or plug is damaged or frayed.
  - B. If liquid has been spilled into the product.
  - C. If the product has been exposed to rain or water.
  - D. If the product does not operate normally when the operating instructions are followed. Adjust only those controls that are covered by the operating instructions since improper adjustment or other controls may result in damage and will often require extensive work by a qualified technician to restore the product to normal operation.
  - E. If the product has been dropped or the cabinet has been damaged.

Definitions and explanations of certain terms which you will encounter in the **Owner's Manual**

<b>A D F</b>	Automatic Document Feeder – allows the insertion of multiple originals for faxing or copying (5 originals).
<b>CCITT GROUP 3</b>	A standard for facsimile transmission established by the CCITT – the International Telegraph and Telephone Consultative Committee. Machines meeting this standard can transmit a standard page at speeds of under 60 seconds.
<b>CONVENIENCE COPIER</b>	A copier used to make occasional copies.
<b>DIGITAL FACSIMILE</b>	Facsimile that transmits images in the form of discrete data bits.
<b>FAX PASSWORD</b>	A security passcode that permits transmission to your unit only by units with the same matching passcode.
<b>FINE RESOLUTION</b>	203 x 196 lines per inch – a transmission mode used by facsimile machines to transmit images containing a great deal of fine detail.
<b>GRAY SCALE</b>	Shades of gray (16 in the case of your unit) that are used to provide a faithful reproduction of photographic images.
<b>KEY SYSTEM</b>	A standard office-type telephone system where the telephones have keys for selecting lines and functions.
<b>OFF-HOOK</b>	A condition where your handset is off the hook (not in the cradle).
<b>ON-HOOK</b>	A condition where the handset of the unit is on the hook (in the cradle).
<b>PBX</b>	Private Branch Exchange – a computerized telephone switch usually found in large organizations which accepts calls from the outside, and transfers them to various extensions inside and which routes calls from the inside to the outside.
<b>PSTN</b>	Public Switched Telephone Network – the public lines of the telephone company.
<b>PULSE / TONE</b>	Types of dialing; Pulse is the rotary method, where the phone system counts pulses (clicks) to determine the number you are dialing. Tone is an audio method where the system listens to the tones to determine the number you are dialing.
<b>RTI/TTI</b>	RTI – Remote Terminal Identification; TTI – Transmit Terminal Identification. The phone number of your fax unit and your name/ID, which, if programmed by you, identify your unit to other fax units and may be printed out on documents received by the other parties, be displayed in their LCDs and appear in transaction journals.
<b>STANDARD RESOLUTION</b>	203x98 lines per inch – the transmission mode used by facsimile machines to transmit images containing typewritten or printed matter and less-involved drawings.
<b>USOC RJ11C JACK</b>	The standard modular single-line phone jack.

## TABLE OF CONTENTS

<b><u>Contents</u></b>	<b><u>Page</u></b>
INTRODUCTION	1
PRE-INSTALLATION INSTRUCTIONS	2
Before removing the unit from the packing carton	2
Contents of the packing carton	2
Procedures for removing the unit from the packing carton	3
INSTALLING THE UNIT	4
I. Electrical connection	4
II. Single-line telephone connections	4
III. Multi-line telephone connections	5
IV. Inserting the recording paper roll into the unit	5
V. Inserting the original document tray	7
GETTING FAMILIAR WITH YOUR BROTHER FAX-200	8
I. The FAX-200 – parts and their functions	8
II. The control panel	8
BASIC OPERATIONS	11
I. The copy mode	11
II. How to transmit documents	11
III. How to receive documents	16
PROGRAMMING THE UNIT	18
I. Setting the date and time	18
II. Registering your fax telephone number ID	18
III. Registering your company name/destination name	20
IV. Setting up the auto dialer	22
V. Setting user switches	24

**Continued**



<b><u>Contents</u></b>	<b><u>Page</u></b>
ADVANCED OPERATIONS	28
I.    Temporary registration settings	28
II.   Setting the Fax Password	33
III.  Printing out lists	34
IV.   Understanding audio signals	36
CARING FOR YOUR FAX-200	37
ERROR MESSAGES	38
TROUBLESHOOTING	39
TELEPHONE DIRECTORIES	41
SPECIFICATIONS	42

## INTRODUCTION

Thank you for purchasing the Brother **FAX-200**. This **Owner's Manual** will help you derive the fullest benefits from this new, powerful but compact facsimile transceiver.

The Brother **FAX-200** is a modern, compact desktop digital facsimile unit with such features as a five (5) page automatic document feeder, an easy-to-read 16 character Liquid Crystal Display (LCD), a paper cutter and an exclusive Electronic COVERPAGE™ feature. Its performance is compatible with CCITT Group 3. Therefore, your new **FAX-200** is compatible with most modern facsimile units in the world.

The **FAX-200** is an ideal low-volume stand-alone unit or a satellite unit in a larger facsimile network. Furthermore, the unit can be used as a convenience copier and as a sophisticated business telephone .

All of the Brother **FAX-200** features can be easily learned by following step-by-step procedures listed on the following pages. As you become familiar with the features and operation of the unit, *keep the Owner's Manual handy for quick references and reminders.*

The **Owner's Manual** provides a step by step description of the procedures you should employ in unpacking, installing and learning to operate your Brother **FAX-200** facsimile unit. If you follow these instructions, you will have no problem with either the installation or the operation of the unit.

Modern digital facsimile units are *extremely* reliable. If you exercise the necessary care, you will enjoy years of totally trouble-free enjoyment of this unit.

Now, open the **Owner's Manual** to PRE-INSTALLATION INSTRUCTIONS (page 2) and read the material carefully.

## IMPORTANT NOTE

If you wish to start using your FAX-200 **immediately upon purchase**, you can learn how to install it, use it as a transmitter or a receiver in a matter of minutes. To do so, read the following material only:

- PRE-INSTALLATION INSTRUCTIONS
- GETTING FAMILIAR WITH THE UNIT
- BASIC OPERATIONS

After you read these pages, you will be able to send and receive facsimile communications. Later, at your leisure, you can read the rest of the Owner's Manual and learn how to benefit from the **FAX-200's** many other outstanding features.

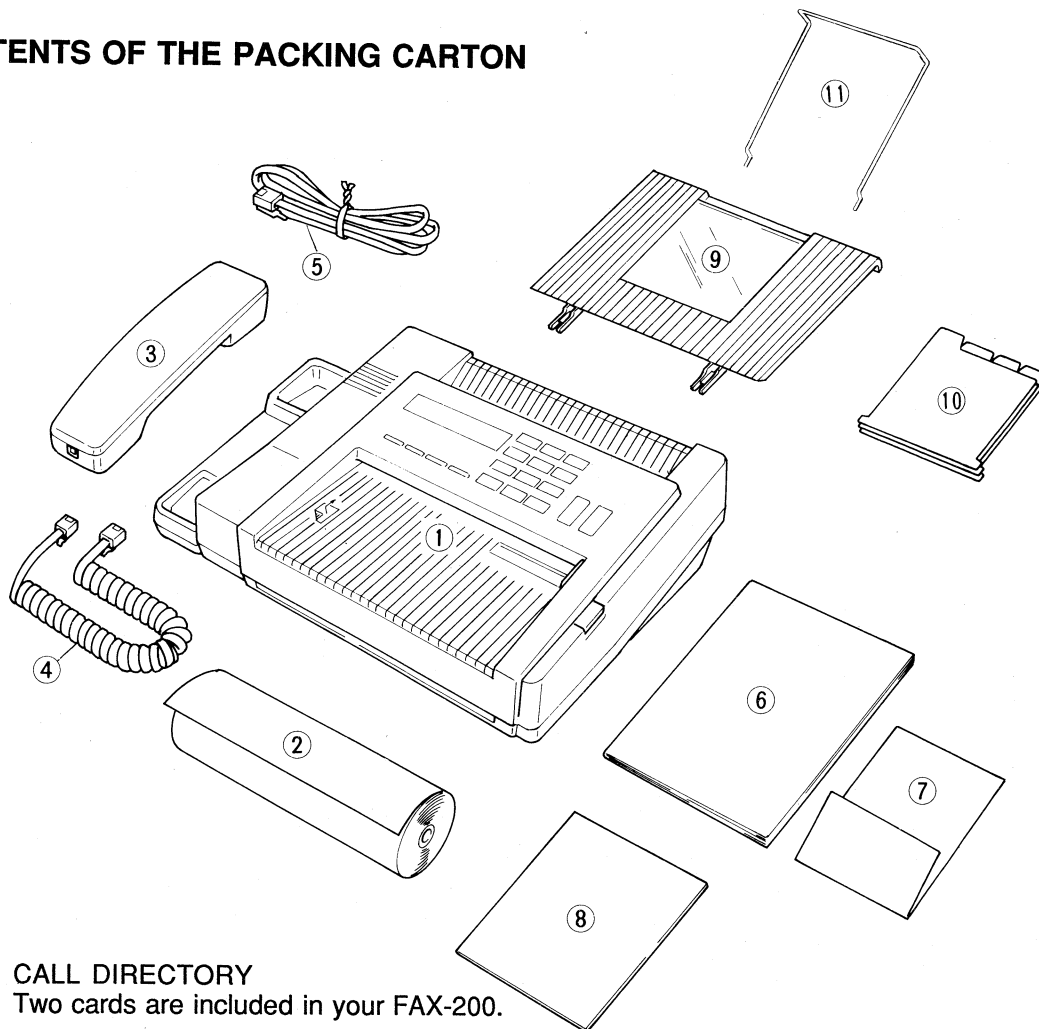
## PRE-INSTALLATION INSTRUCTIONS

### BEFORE REMOVING THE UNIT FROM THE CARTON

The Brother **FAX-200** is designed to operate in an office environment or at home. It is rugged, reliable and virtually maintenance-free. However, to ensure years of trouble-free performance, please observe the following precautions:

- Do not locate the unit near heaters, air conditioners, in direct sunlight or in dusty environments.
- Install the unit on a flat level surface, such as a desk, a table, a typewriter or computer stand.
- Do not locate the unit where water or chemicals are likely to splash on it.
- Select a vibration-free area of your office.
- Locate the unit within 3 feet from a telephone wall jack.
- Locate the unit within 3 feet of a standard, grounded outlet.
- Avoid plugging in the unit into an outlet which is on the same line as an air conditioner, a refrigeration unit, a copier, an electric typewriter or any other device that draws a lot of current in a relatively short period of time.

### CONTENTS OF THE PACKING CARTON



**NOTE: CALL DIRECTORY**  
Two cards are included in your FAX-200.

The packing carton contains:

- ① The Brother **FAX-200** unit
- ② One roll of Brother thermal recording paper
- ③ Telephone handset
- ④ Handset curled cord
- ⑤ Telephone line cord
- ⑥ Owner's Manual
- ⑦ Warranty card
- ⑧ Test Sheet
- ⑨ Original document tray
- ⑩ Call directory insert/Quick reference card
- ⑪ Wire paper holder

### **PROCEDURES FOR REMOVING THE UNIT FROM THE PACKING CARTON**

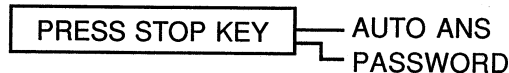
1. Carefully open the carton (see the appropriate inscription on the carton)
2. Pull out the **FAX-200** and the other devices together with the packing trays
3. Remove all packing trays and plastic from the unit
4. Take out the telephone line cord from the plastic packaging
5. Take out the telephone handset and the curled cord
6. Take out the paper roll.

## INSTALLING THE UNIT

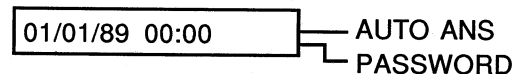
### I. ELECTRICAL CONNECTION

The **FAX-200** can be plugged into any standard power (110 VAC) outlet. Make sure that the outlet is grounded and that it is not on the same line as appliances or office machines which tend to draw a lot of power in a very short period of time, such as refrigerators, copiers, etc. The **FAX-200** power requirements are listed in the SPECIFICATIONS.

After you plug in the power cord into the outlet, the LCD will display:



Press **STOP**. If you have not inserted the paper roll into the unit, "**ADD PAPER**" message appears. If you have already inserted the paper roll, the unit is ready for use. The LCD will display the date and time as follows:



This LCD reading is referred to as the "standby mode" and it indicates that the unit is ready to perform its functions. Later, we will show you how to set the date and time.

**NOTE:** THE **FAX-200** DOES NOT HAVE A POWER ON/OFF SWITCH.

### II. SINGLE-LINE TELEPHONE CONNECTIONS

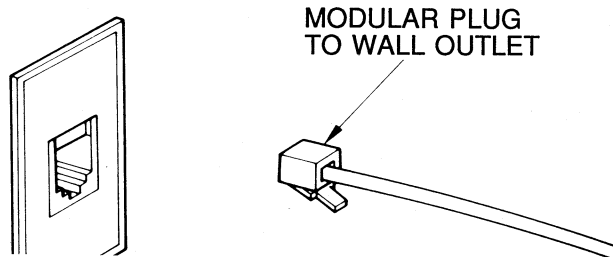
*The **FAX-200** must always be connected to the power outlet prior to making the telephone line connection. Similarly, when disconnecting the unit, the telephone line connection should be removed before unplugging the unit. This procedure is necessary because the unit relies on the power outlet's ground for your protection from any possibly hazardous electrical conditions that may arise on the telephone network.*

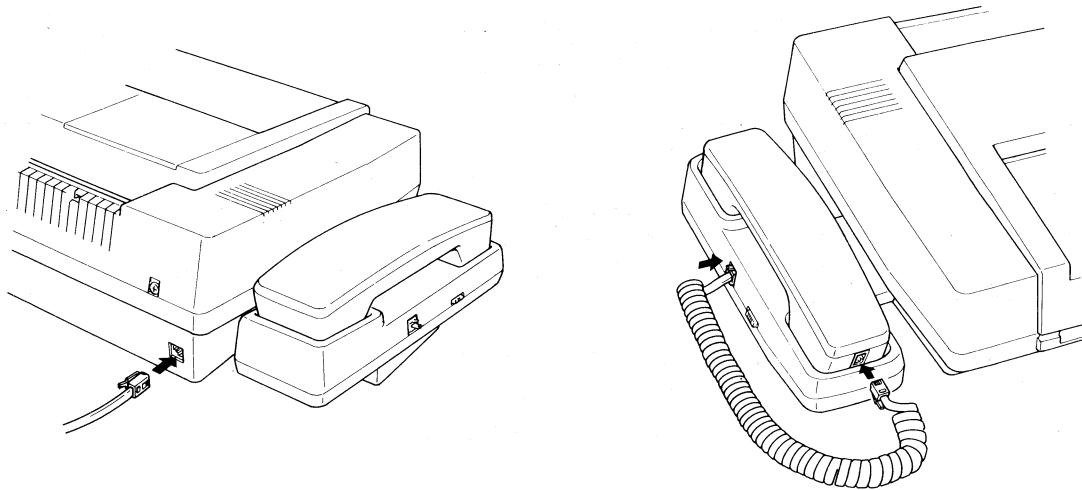
The simplest way to connect the Brother **FAX-200** unit to the public switched telephone network (phone company lines) is to use a single telephone line. The connection is particularly simple if you have a modular wall jack. The most common modular jack is referred to as the **USOC RJ11C jack**. If you have such a jack, follow the instructions below. If your wall jack is not modular, it is very easy to convert the wall plug to a modular form. Conversion is very simple and conversion kits are available from your local phone company, an electronics / computer store (e.g., Radio Shack) or the AT&T phone stores.

To connect your **FAX-200** to the telephone line, follow these steps:

- Connect one end of the curled handset cord to the handset and the second end to the **RJ7** jack on the side of the handset cradle.
- Take the telephone cord which is also included in the carton and connect one of its plugs to the **LINE** jack in the back of the **FAX-200** unit and the second plug to your modular wall jack (USOC RJ11C). Now, the **FAX-200** is connected to the telephone network.

Please see the illustration on the next page for the telephone connections.





If you have MODULAR PHONE JACKS (USOC RJ11C), simply plug the phone cord into the wall jack.

If you have the older 4-PRONG JACK, you must use a modular 4-prong adapter USOC RJA1X. Plug the adapter into the wall jack and then plug the phone cord into the adapter. Then, follow the instructions above.

### III. MULTI-LINE TELEPHONE CONNECTIONS

Most offices have key systems or PBXs. While in many cases it is relatively easy to connect the **FAX-200** to a key system or a PBX, we suggest that you contact the organization which installed your company's telephone system and ask them to connect the **FAX-200** to the system. If the **FAX-200** is connected to a key system, ask your installer to connect the **FAX-200** to the last line on the system. This way, the **FAX-200** will not be activated by every phone call coming into your office. The preferred solution is to ask the phone company to assign a separate line to the facsimile unit. In this case, you can leave the unit on 24 hours a day and derive full benefits from its automatic, unattended operations capabilities.

### IV. INSERTING THE RECORDING PAPER ROLL INTO THE UNIT

To insert the paper roll, follow the directions given below. Before reading the instructions for inserting the recording paper into the unit, please consider these important notes:

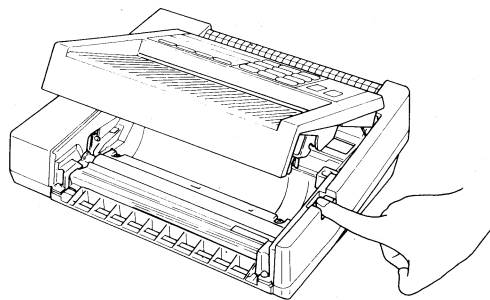
**NOTE 1:** The recording paper is heat-sensitive. Avoid exposure to high temperature, high humidity or direct sunlight. Keep the received documents (or copied documents) away from high temperature, direct sunlight, high humidity, alcohol, blueprints. Otherwise the documents may become discolored.

**NOTE 2:** The use of Brother Recording Paper is specifically recommended for this unit. The use of paper not authorized by Brother may adversely affect the unit's performance and may void Brother's product warranty.

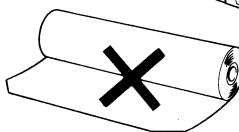
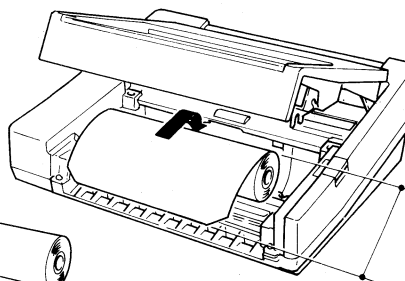
Brother Recording Paper has a red stripe indicator. Its appearance on your received or copied documents is a warning that the paper roll will be running out shortly. Replace the paper roll when you see the red stripe. Furthermore, Brother Recording Paper has a black stripe at the end of the roll. If you have not changed the paper at the appearance of the red stripe, the unit will automatically stop when the black stripe appears. This feature works only with Brother Recording Paper on Brother facsimile units. Please note that Brother Recording Paper rolls are overwound (i.e., contain extra paper) so that you are not wasting paper when you remove the roll when the indicator appears.

To insert the paper roll, follow these directions:

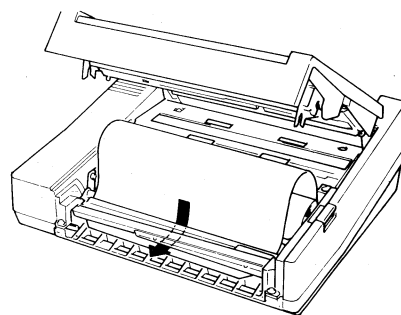
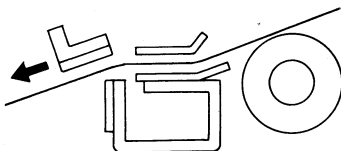
1. To open the paper cover, press the button which is located at the right edge of the top of the machine.



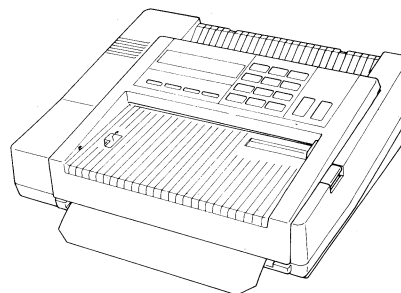
2. Hold the recording paper roll so that the free end of the paper points towards you *from the top* of the roll. Be sure not to set the recording paper upside-down. If this happens, you will not get any images on reception or copying.



3. Drop in the paper into the unit. Place the leading edge of the paper through the paper cutter guide.



4. Push the cover unit until you hear a click.



5. Press **STOP**. The automatic cutter will cut off excess paper and the unit will go into the standby mode (ready). The LCD will change to:

01/01/89 00:00

AUTO ANS  
PASSWORD

6. If you forgot to press **STOP**, the unit will go into the standby mode as soon as someone calls it.

## V. INSERTING THE ORIGINAL DOCUMENT TRAY

The original document tray consists of document tray, Call Directory and Quick-Reference Card, and wire paper holder. The Call Directory Card and the Quick-Reference Card can be inserted into the back side of the tray in the following step.

1. Turn the tray face down. Also hold the Call Directory Card and the Quick-Reference Card face down. Insert either left or right leg (positioned at the bottom of the Cards) into the slit of the tray and then insert another leg. See Illustration 1 below.
2. Slide the Cards down along the slits. Put the upper part of the Cards below the two protrusions coming out face to face at the top middle of the tray. (The tray must still face down.) Slide the Cards down to the bottom of the slits.
3. Now turn the tray face up.

A wire paper holder also comes with this tray and can be easily installed into the tray. Locate small holes at the top of the tray. Insert the legs of the paper holder into the holes. Make sure the other end of the wire protrude upwards as shown below. Pre-installation is complete. Insert the above tray into the slots at the top of the unit as shown in the Illustration 2 below.

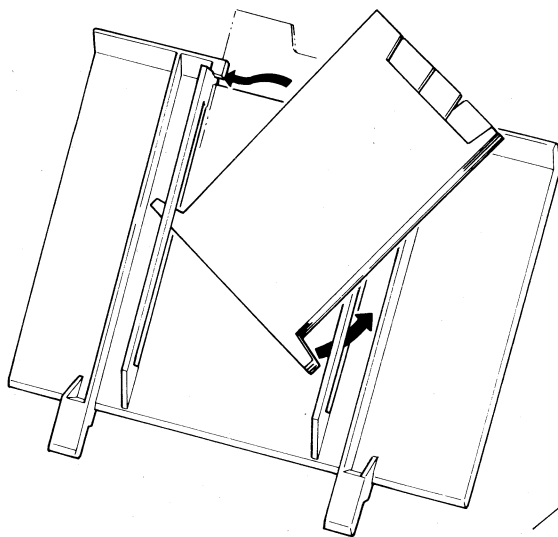


Illustration 1

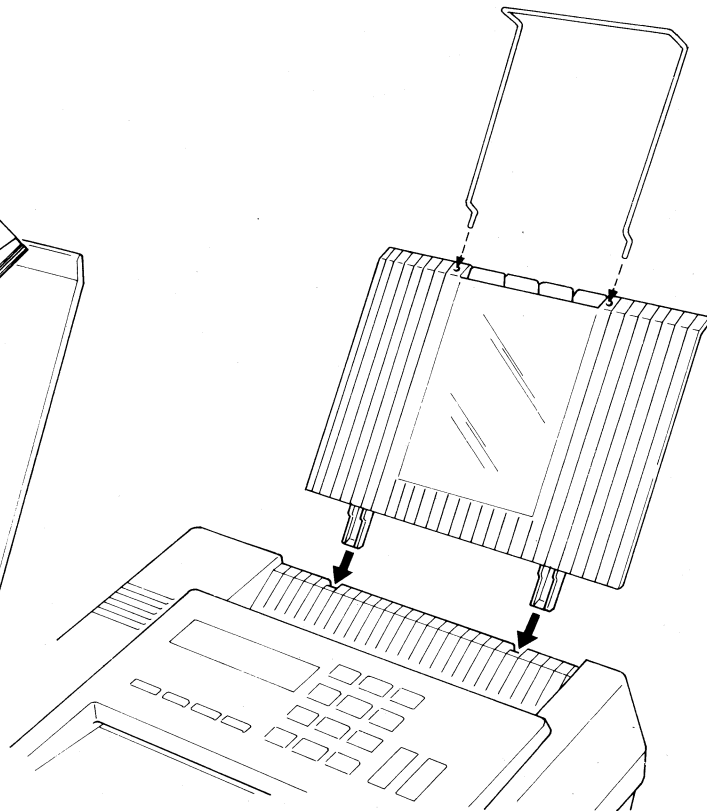


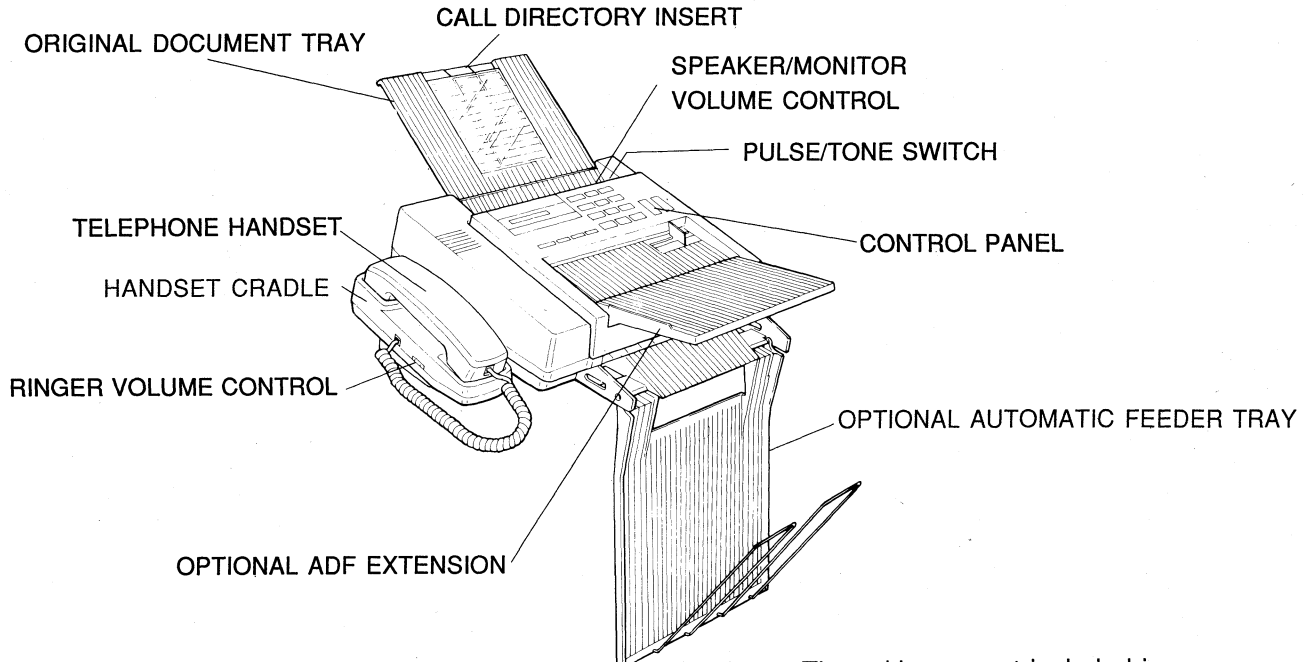
Illustration 2



## GETTING FAMILIAR WITH YOUR BROTHER FAX-200

### I. THE FAX-200 – PARTS AND THEIR FUNCTIONS

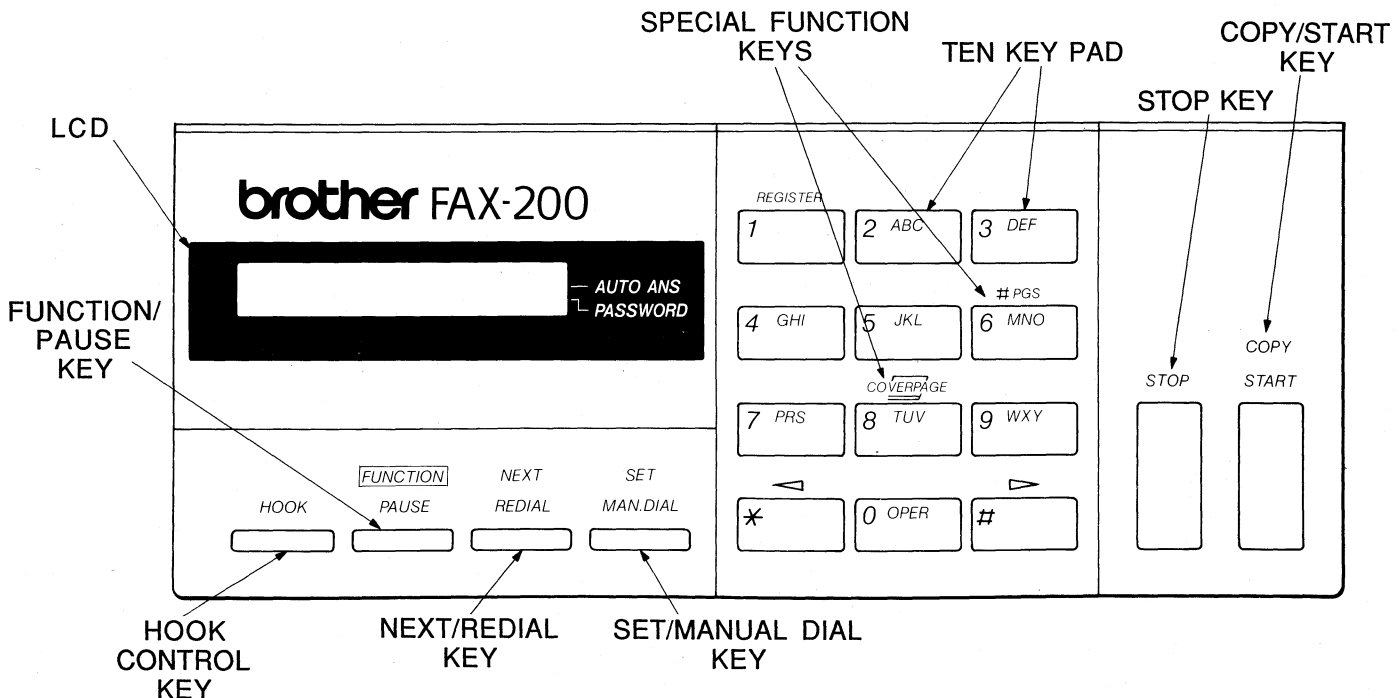
Now that the unit is connected to the telephone network and the power, take a few minutes to become familiar with the unit. The main parts of the unit and their functions are indicated in the drawing below:



**NOTE:** Automatic feeder tray and ADF extension are options. These kits are not included in the package.

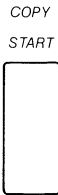
### II. THE CONTROL PANEL

Now, let's take a look at the control panel of the Brother **FAX-200**. The layout of the control panel is shown below. The purpose of the various buttons is described on the next page.



## Operation of the control buttons and switches

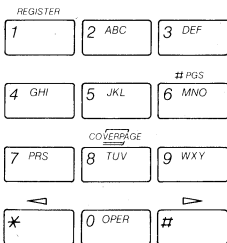
**START / COPY** – initiates facsimile transmission or copy operation.  
button



**STOP** button – Stops any of confirming programming in the **FUNCTION SETTING** mode.  
Stops copying; stops document transmission (but cannot stop reception or phone calls);  
Stops continuous beeping in **ERROR**;  
Confirms the elimination of abnormality (e.g., you press the **STOP** button after you change the paper roll).



**TEN KEY PAD** – Initial function – one touch calling buttons (0 - 9).

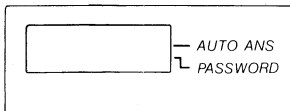


Regular telephone dialing keys only *after* you press the **MAN. DIAL** button for manual dialing.

Used for registering certain items into the unit (one-touch, speed-dial, etc.)

The \* and # keys control the cursor movement left and right, respectively, during certain programming operations. # is also used for speed dialing.

**LCD** –



Displays date and time in the standby mode.

Displays prompts during programming and operational activities of the unit.

Displays results of various operations and indicates problems/errors. Up to 16 digits can be displayed at a time. When information contains more than 16 digits, you can press the cursor key to scroll the display (in the direction indicated by the cursor)

**HOOK CONTROL** – Pressing this button allows dialing with the handset still in **ON HOOK** status and activates the monitor so that the operation of the machine may be heard. The monitoring sound will not be heard from the speaker during dialing when you are in on-hook status.



Pressing the **HOOK** button again in the **ON-HOOK** status turns off the line.

Removing the handset from the cradle (off-hooking) while the **HOOK** button is still engaged, stops the monitoring activity of the speaker and allows you to make a phone call using the handset. During the handset-originated telephone call, the **HOOK** button will not be activated, even if pressed.

**FUNCTION/** –  
**PAUSE**



The **FUNCTION** button in programming (this is its initial and major usage).

The **PAUSE** button inserts a delay in the dialing process. This function can operate only during:

- Manual dialing in automatic transmission mode
- Registration for programmed transmission.

When the **PAUSE** button is pressed, the LCD displays the letter "P".

**NEXT/ REDIAL –**

**NEXT** is a registration/setting button in programming.

Pressing the **REDIAL** button redials a destination for which dialing has already been attempted once (allows the redialing of the previously dialed number). The LCD will display the telephone/fax number being dialed :



TEL:516P555P1212 — AUTO ANS  
— PASSWORD

(when using the unit as a telephone in non-auto-dial mode, press the **MAN. DIAL** button – see below).

Pressing the **REDIAL** button causes the LCD to display the called number again.

**NOTE:** If the power is turned off, the REDIAL memory of the previously dialed number is lost. With the power ON, pressing the **REDIAL** button before any telephone number has been dialed, will cause the LCD to display:

REDIAL INVALID — AUTO ANS  
— PASSWORD

**SET/ MANUAL –  
DIAL**

Allows to dial telephone/fax numbers manually. Use for numbers not stored in the unit's station memory.

**SET** is a registration button used during programming.



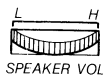
**NOTE:** *The upper row of buttons – FUNCTION, NEXT, SET are shown in italics. More explanation on the proper use of the above control buttons will be provided in the body of this Manual in the appropriate places.*

**Other controls:****TONE/PULSE –**

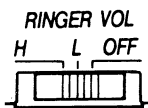
Located on the back of the unit. Allows you to set rotary or touch-tone dialing.

**SPEAKER –  
VOLUME**

Located on the back of the unit. This rotary control allows you to adjust the volume of the monitor/speaker.

**RINGER VOLUME –**

Located on the side of handset cradle, this control adjusts the loudness of the ringing.

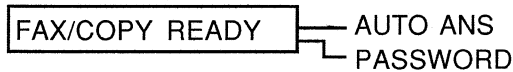


## BASIC OPERATIONS

### I. THE COPY MODE

The easiest way to start using the unit is to try out the COPY MODE. To make a copy, follow the simple instructions below:

1. Make sure the unit is plugged in and that the LCD is in the standby mode
2. Insert the document you wish to copy into the guide of the unit, face DOWN.  
The LCD will display:



3. Press **START/COPY**.
4. When the unit completes copying the document, the original will be completely free of the unit. The copy will be cut automatically.

**NOTE 1:** **FINE** mode is set automatically while the **FAX-200** is functioning as a copier.

**NOTE 2:** Warnings related to copying are on page 17.

**NOTE 3:** If you wish to make a copy in **PHOTO** mode, choose **PHOTO** in the TEMPORARY SETTING. (see p.28)

### II. HOW TO TRANSMIT DOCUMENTS

#### A. Preparing to transmit documents

You can start using the unit once it is plugged in, connected to the telephone network, has paper inside of it and the LCD is in the standby mode. If you are satisfied with the factory settings for various parameters (and, most of the users hardly ever have to change these settings), you can start using the machine immediately.

***Basically, the only difference between transmission and copying is that for transmission you must dial a telephone number before pressing the START/COPY button!***

The only programming most users do is to set the date and time and to program their fax number and name that they appear on the received document. All other programming can be postponed for when you need some specific capability.

Also, bear in mind that the **FAX-200** has an LCD which will display helpful prompts. Furthermore, you can abort sending a document by pressing the **STOP** button.

## B. Transmitting documents

Now, you are ready to transmit your document. The exact procedure for transmission depends on your selection of one of these methods:

- Manual dialing
- One-touch dialing
- Speed dialing

Any of these methods can be used with manual transmission or automatic transmission. If you use automatic transmission, the unit will feed your document before dialing, and will send in quick mode. It is a manual transmission if you first pick up the handset or press the **HOOK** button and then dial (either manual dialing, one-touch dialing or speed dialing). If you use one-touch dial or speed dial and then press the **START** button, this is an automatic transmission.

### 1. One-touch dialing

The procedure for setting up one-touch numbers (up to 10 of them) is described in the PROGRAMMING THE UNIT section of the Manual. The actual transmission procedure is :

#### a) Manual transmission

- Insert up to 5 documents into the feeder face down. The LCD shows:

FAX/COPY READY	AUTO ANS
	PASSWORD

- Press **HOOK** or pick up the handset. The LCD shows:

FAX:	AUTO ANS
	PASSWORD

- Press the desired one-touch number using the ten key pad. If you have already registered the receiver's company name, the LCD shows the receiver's ID:

FAX:BROTHER INDU	AUTO ANS
	PASSWORD

- If you have not registered the receiver's company name, the LCD shows the registered receiver's facsimile telephone number:

FAX:052P263P583	AUTO ANS
	PASSWORD

- The unit will start dialing automatically.  
When you hear the fax tone, press **START**. A completion tone will sound for one second after the transmission is completed. The LCD will revert to the standby mode.

01/01/89 00:00	AUTO ANS
	PASSWORD

#### b) Automatic transmission

- Insert up to 5 documents into the feeder face down. The LCD shows:

FAX/COPY READY	AUTO ANS
	PASSWORD

- Press the desired one-touch number using the ten key pad. If you have already registered the receiver's company name, the LCD shows the receiver's ID:

FAX:BROTHER INDU — AUTO ANS  
 — PASSWORD

- If you have not registered the receiver's company name, the LCD shows the registered receiver's facsimile telephone number:

FAX:052P263P583 — AUTO ANS  
 — PASSWORD

- Press **START**. The unit will start feeding a document and then start dialing, and initiate the transmission automatically. A completion tone will sound for one second after the transmission is completed. The LCD will revert to the standby mode.

01/01/89 00:00 — AUTO ANS  
 — PASSWORD

## 2. Speed-dialing

### a) Manual transmission

- Insert up to 5 documents into the feeder face down. The LCD shows:

FAX/COPY READY — AUTO ANS  
 — PASSWORD

- Press **HOOK** or pick up the handset. The LCD shows:

FAX: — AUTO ANS  
 — PASSWORD

- Press **#** and the desired 2-digit code using the ten key pad.  
 Example: If 03 stands for 201 981 0300, press "#", "0", and "3", and the unit will dial 201 981 0300. The LCD shows:

FAX:#03 — AUTO ANS  
 — PASSWORD

- After one second, if you have already registered the receiver's company name, the LCD shows the receiver's ID:

FAX:BROTHER INTE — AUTO ANS  
 — PASSWORD

- If you have not registered the receiver's company name, the LCD shows the registered receiver's facsimile telephone number:

FAX:201P981P0300 — AUTO ANS  
 — PASSWORD



- Press **MAN.DIAL**. Dial the desired number using the ten key pad.

FAX:201981030 — AUTO ANS  
— PASSWORD

- If your desired number is more than 11 digits, the display will scroll, e.g.:

AX:201981030012 — AUTO ANS  
— PASSWORD

- When you hear the fax tone, press **START**. A completion tone will sound for one second after the transmission is completed. The LCD will revert to the standby mode:

01/01/89 00:00 — AUTO ANS  
— PASSWORD

#### b) Automatic transmission

- Insert up to 5 documents into the feeder face down. The LCD shows:

FAX/COPY READY — AUTO ANS  
— PASSWORD

- Press **MAN.DIAL**. Dial the desired number using the ten key pad.

FAX:201P981P030 — AUTO ANS  
— PASSWORD

- If your desired number is more than 11 digits, the display will scroll, e.g.:

AX:201P981P0300 — AUTO ANS  
— PASSWORD

- Press **START**. The unit will start feeding a document and then start dialing, and initiate the transmission automatically. A completion tone will sound for one second after the transmission is completed. The LCD will revert to the standby mode.

01/01/89 00:00 — AUTO ANS  
— PASSWORD

#### 4. Redial button

When the telephone number was dialed, the telephone number dialed will be registered in **REDIAL** button automatically.

If the number is busy in Automatic transmission, set the document in the feeder again. Document will remain in the feeder in case of Manual transmission. Press **HOOK** or pick up the handset and then press **REDIAL**. The unit will redial the last number dialed. After hearing fax tone, press **START**.



### III. HOW TO RECEIVE DOCUMENTS

There are two methods for receiving documents with your **FAX-200** unit:

- Automatic Reception
- Manual Reception

**NOTE:** If a telephone connected in parallel with the unit is used during receipt of a document, the received document may include distorted characters.

#### A. Automatic Reception

The factory setting is for AUTO. ANSWER to be ON and for the unit to pick up the reception on the first ring. Therefore, if you are satisfied with this setting, there is *absolutely nothing* you have to do to receive documents automatically, except to make sure that the unit is plugged in and that there is enough recording paper in the unit.

If for some reason you prefer for the unit to pick up automatically on the fourth (4) ring, you can reprogram the AUTO. ANSWER function using the simple procedure described in the PROGRAMMING THE UNIT section of the Manual.

Usually, the reason for this is as follows. The fax unit is on your desk and you can pick up the phone before the unit has rung four times. If you hear a voice, you simply answer the caller. If you hear fax tones, you can receive the document manually (see below). Of course, you can leave the handset on-hook and press **HOOK**. Then you will hear the rings and the voice or fax tones over the monitor. If you hear fax tones, press **START**.

#### B. Manual Reception

To switch the unit to the MANUAL RECEPTION mode, you have to turn off the AUTO ANSWER mode. This is done by following the simple instructions on page 27.

When you hear a ring, pick up the handset and, if you hear a voice, start the conversation. If you hear fax tones, press **START**.

**NOTE:** Do not leave the document in the feeder when the unit is set to Manual reception mode. The unit can not receive document.

## **IMPORTANT TRANSMISSION INFORMATION:**

When inserting documents into the feeder, hold the documents by both hands. Take your hands off the documents immediately once the first page of the documents has started to be fed into the feeder.

Do not transmit or copy very thick pages (over 0.12mm thick). If you have to transmit such pages, use a photocopier (not the **FAX-200**) to make a copy and transmit the copy instead.

Do not transmit or copy wrinkled, wet, or coated documents. Make a photocopy and transmit it instead.

Do not transmit or copy documents printed on thick photographic paper, metal or textiles. Make a photocopy and transmit it instead.

Do not transmit or copy documents that are too thin (tissue paper, tracing paper, etc.) The thinnest paper suitable for transmission is 0.055mm. Make a photocopy and transmit it instead.

Remove all staples and paper clips from the documents to be transmitted.

Do not transmit or copy documents held together by scotch tape. Photocopy them and transmit the photocopy.

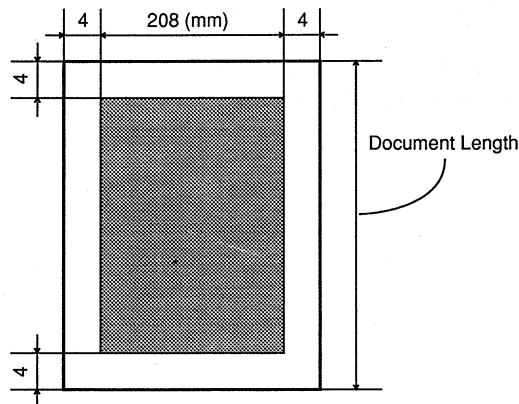
Do not load the feeder with more than five (5) documents at a time.

Transmit carrier sheets and glossy papers one at a time.

Do not transmit documents of different sizes and/or thickness together.

When transmitting more than one document at a time using the ADF, make sure that they are between 0.06 and 0.09mm thick. Otherwise, transmit one by one, or use a photocopier to make copies and transmit them instead.

Scannable area that can be guaranteed is the shaded area in the following picture.



## **USING THE UNIT AS A TELEPHONE**

To use this unit as a telephone, you have the following choices:

- Manual dialing
- One-touch dialing
- Speed-dialing

All of these can be made in the ON-HOOK or OFF-HOOK mode. To use the three ways of dialing, follow the same instructions as for facsimile dialing, except you do not set a document into the feeder.

And the REDIAL function is also available.

## PROGRAMMING THE UNIT

THE **FAX-200** has many capabilities. These can be programmed by the user. The method for programming these will be described when we address a specific capability. Here, we will address a number of fundamental operations.

**Important: Perform all programming operations without a document in the feeder.**

### I. SETTING THE DATE AND TIME

The date and time display is referred to as the *standby mode* of the LCD. When in this mode, the LCD initially displays:

MM/DD/YY HH:MM — AUTO ANS  
— PASSWORD

The initial factory setting date and time is "01/01/89 00:00".

This will change to the actual date and time after you complete the steps below.

- Press **FUNCTION**. The unit will go into the **FUNCTION** mode and the LCD will display:

FUNCTION(0-9)? — AUTO ANS  
— PASSWORD

- Press "6". The LCD will revert to the standby setting, except that there will be a cursor under the first "M". Input the correct 2-digit number for the month (from 01 to 12). As the month is completed, the cursor will move to the first "D" where you input the correct number for the day (01 to 31). Continue this process until the entire date and time is registered. Note that this unit uses the 24 hour clock, i.e., 9:15PM is shown as 21:15.
- Press **SET** twice. From this point on, the standby mode of the LCD will display the correct date and time.

### II. REGISTERING YOUR FAX TELEPHONE NUMBER ID

Your fax unit's telephone ID number is used as an RTI/TTI number to identify your messages at the remote location. When programmed, the number may be printed on documents received at the distant end. It may also appear on their LCD display or transaction journals if these are features of their equipment. You can register your telephone number up to 22 digits at a time, all 22 digits can be seen by scrolling the LCD by using the cursor keys.

- Start by putting the unit into the **FUNCTION** mode (see above). Press "1" and the unit will go into the **REGISTRATION & SETTING** mode and the LCD will display:

REGISTER(0-9)? — AUTO ANS  
— PASSWORD

- Press 1. If there is no other number registered, the LCD will display:

FAX: \_\_\_ — AUTO ANS  
— PASSWORD

- Input the appropriate numbers by using the ten key pad. As you press a number, the digit appears at the current position of the cursor. If you wish to input a space, press the right cursor key and the cursor moves to the next position.
- When the input for fax telephone number ID has been completed, pressing **NEXT** will bring you to the **COMPANY NAME/DESTINATION NAME** registration. And if you do not touch any key for around 10 seconds after you have entered your fax telephone number ID, it will be automatically registered and the LCD will revert to the standby mode.



### III. REGISTERING YOUR COMPANY NAME/DESTINATION NAME

You can register up to 22 (twenty two) alphanumeric characters for your company name/ ID.

- Press **NEXT** after you've registered the RTI/TTI. The LCD displays:

NAME:  — AUTO ANS  
 — PASSWORD

- Input is accomplished by using the character chart on the next page. Please note that you must use the 2-digit code for each alpha or numerical character in your station ID.
- When the input for the STATION ID has been completed, pressing **NEXT** will return you to the RTI/TTI setting. And if you do not touch any key for around 10 seconds after you have entered your STATION ID, it will be automatically registered and the LCD will revert to the standby mode.

#### Clearing a Registered Company Name / Destination Name

- To clear a company name/destination name, bring the name up on the LCD again:

NAME: BBROTHER — AUTO ANS  
 — PASSWORD

- Enter the 2-digit code for a blank (0,0) using the ten key pad. This erases the registration entirely. The LCD shows:

NAME:  — AUTO ANS  
 — PASSWORD

#### Correcting Mis-registration

- To change a character already registered, move the cursor under the character to be changed, then overwrite the character with the correct 2-digit code. For example, if you input BRATHER instead of BROTHER, bring the cursor to "A" and enter the 2-digit code for "O". The correction will be shown on the display.
- To correct a missing character, move the cursor to the place where the character is missing and put in the 2-digit code for the missing character. Then reinput all characters succeeding the missing character. For example, if you entered BRATHER and forgot the "O", move cursor under the "T" then input 2-digit code for "O", "T", "H", "E" and "R".

Please see the chart on the following page.

## CHARACTER CODE CHART

<b>BLANK</b>	<b>!</b>	<b>"</b>	<b>#</b>	<b>\$</b>	<b>%</b>	<b>&amp;</b>	<b>'</b>
00	01	02	03	04	05	06	07
<b>(</b>	<b>)</b>	<b>*</b>	<b>+</b>	<b>,</b>	<b>-</b>	<b>.</b>	<b>/</b>
08	09	10	11	12	13	14	15
<b>0</b>	<b>1</b>	<b>2</b>	<b>3</b>	<b>4</b>	<b>5</b>	<b>6</b>	<b>7</b>
16	17	18	19	20	21	22	23
<b>8</b>	<b>9</b>	<b>:</b>	<b>;</b>	<b>&lt;</b>	<b>=</b>	<b>&gt;</b>	<b>?</b>
24	25	26	27	28	29	30	31
<b>@</b>	<b>A</b>	<b>B</b>	<b>C</b>	<b>D</b>	<b>E</b>	<b>F</b>	<b>G</b>
32	33	34	35	36	37	38	39
<b>H</b>	<b>I</b>	<b>J</b>	<b>K</b>	<b>L</b>	<b>M</b>	<b>N</b>	<b>O</b>
40	41	42	43	44	45	46	47
<b>P</b>	<b>Q</b>	<b>R</b>	<b>S</b>	<b>T</b>	<b>U</b>	<b>V</b>	<b>W</b>
48	49	50	51	52	53	54	55
<b>X</b>	<b>Y</b>	<b>Z</b>	<b>[</b>	<b>Not used</b>	<b>]</b>	<b>^</b>	<b>_</b>
56	57	58	59	60	61	62	63

**Example: BROTHER = 34, 50, 47, 52, 40, 37, 50    Example: 201 = 18, 16, 17**

## IV. SETTING UP THE AUTO DIALER

### A. Registering One-Touch Numbers

You can register ten (10) **one-touch numbers** (up to 22 digits each) and **destination names** (up to 20 characters each) for convenient dialing.

1. Press **FUNCTION** and "1". Now you are in the REGISTRATION & SETTING mode.

REGISTER(0-9)? — AUTO ANS  
— PASSWORD

2. Press "3". The LCD will display:

FX 0: — AUTO ANS  
— PASSWORD

3. Select a digit from 0 to 9 under which you will register the one-touch number. For example, press "1". The cursor will move to the next digit of "0".

FX1: \_ — AUTO ANS  
— PASSWORD

4. Use the numeric ten key pad to enter the appropriate telephone number, e.g.:

FX1:201 \_ — AUTO ANS  
— PASSWORD

5. Use **PAUSE** to register a pause for PBX or overseas transmissions.

FX1:201P \_ — AUTO ANS  
— PASSWORD

6. If you try to enter a telephone number of more than 11 digits, the display will scroll to the left.

X1:201P981P0300 \_ — AUTO ANS  
— PASSWORD

7. If you wish to add a destination name (up to 20 characters), follow the instructions in Step 8. Otherwise, if you do not touch any key for around 10 seconds, the one-touch number will be registered automatically and the LCD will revert to the standby mode.

8. Press **NEXT**. This registers the fax (telephone) number, and now you can register the name attached to the one-touch number. The LCD will show:

NAME: \_ — AUTO ANS  
— PASSWORD

Use the chart on page 21 to input up to 20 characters.

9. To continue one-touch dial registration, press **NEXT**. The destination name is registered, and the LCD will show

FX1:201P981P0300 — AUTO ANS  
— PASSWORD

10. Select another digit, for example, 2.

FX2: \_ — AUTO ANS  
— PASSWORD

11. Repeat the steps 4-8.

## B. Registering Speed-Dialing Numbers

**Speed-dialing numbers** are registered in the same manner, except you press "4" in the REGISTRATION/SETTING mode. The display will allow you to input a 2-digit code (from 01 to 10 for each of the ten (10) speed-dial numbers. The **destination** is registered in the same manner as above using the chart on page 21.

For your convenience, you can record the one-touch and speed dial numbers on the Call Directory sheet, which can be inserted into the Original Document Tray.



## V. SETTING USER SWITCHES

User Switches control a number of key parameters of the unit's operation, such as: Resolution, Contrast, Audio Beeper, Transmit Report, Password Transmission, Automatic Answer and the Number of Rings on which the unit will answer automatically.

Press "7" in the FUNCTION mode. The unit enters USER SWITCH SELECTION MODE. The LCD will display:

USER SW(0-9)?	—	AUTO ANS
	—	PASSWORD

Pressing 1, 2, 3, 5, 6, 7 (4, 8, 9, 0 are not used) will allow you to set the User Switches.

### A. Setting the Resolution

1. Press "1" in the USER SWITCH SELECTION MODE. The LCD will display:

RES: STD	—	AUTO ANS
	—	PASSWORD

2. Use STANDARD to transmit typewritten or printed materials. Use FINE for detailed drawings or detailed text. Use PHOTO when you need to transmit an image with many shades, such as a photograph, a colored original, etc. Please note that the transmission speed is highest at STANDARD resolution, slower at FINE and quite slow in PHOTO. Thus, use PHOTO only when warranted.

**NOTE:** The factory setting is STANDARD resolution.

3. Select the **RESOLUTION** mode using the cursor keys. Choose from the following displayed RESOLUTION modes:

RES: STD	—	AUTO ANS
	—	PASSWORD

RES: FINE	—	AUTO ANS
	—	PASSWORD

RES: PHOTO	—	AUTO ANS
	—	PASSWORD

4. If you press **SET**, the resolution is selected and the display returns to the USER SWITCH SELECTION MODE.  
If you press **NEXT**, the resolution is selected and the display proceeds to the next user switch (SET THE CONTRAST).  
If you press **STOP**, the display returns to the standby mode without registration.

## B. Setting the Contrast

1. Press "2" in the USER SWITCH SELECTION MODE. The LCD will display:

CONTRAST:NORMAL

 — AUTO ANS  
 — PASSWORD
 

2. Select the contrast based on the contrast of the original document. That is, if the document is light, select the LIGHT setting, if the original is dark, select the DARK setting. Otherwise, leave the unit in the factory setting position – NORMAL.
3. Select the **CONTRAST** setting using the cursor keys.
4. If you press **SET**, the contrast is selected and the display returns to the USER SWITCH SELECTION MODE.  
If you press **NEXT**, the contrast is selected and the display proceeds to the next user switch (TURN AUDIO BEEPER ON or OFF).  
If you press **STOP**, the display returns to the standby mode without registration.

**NOTE 1:** When RESOLUTION is set to STD (standard), CONTRAST is automatically controlled.

**NOTE 2:** When RESOLUTION is set to PHOTO, CONTRAST cannot be controlled as above.

## C. Turning the Audio Beeper On or Off

1. Press "3" in the USER SWITCH SELECTION MODE. The LCD will display:

BEEPER:ON

 — AUTO ANS  
 — PASSWORD
 

2. Select the ON or OFF setting using the cursor keys
3. If you press **SET**, the AUDIO BEEPER ON or OFF is selected and the display returns to the USER SWITCH SELECTION MODE.  
If you press **NEXT**, the the AUDIO BEEPER ON or OFF is selected and the display proceeds to the next user switch (SELECT XMT VERIFICATION REPORT ON OR OFF).  
If you press **STOP**, the display returns to the standby mode without registration.

## D. Turning the transmit report function On or Off

To activate the XMT Verification report, follow these steps:

1. Press "5" in the USER SWITCH SELECTION MODE. The LCD will display

XMT VERIFY:OFF

 — AUTO ANS  
 — PASSWORD
 

2. Select the ON or OFF setting using the cursor keys
3. If you press **SET**, the transmit report function (XMT VERIFICATION) ON or OFF is selected and the display returns to the USER SWITCH SELECTION MODE.  
If you press **NEXT**, the transmit report function (XMT VERIFICATION) ON or OFF is selected and the display proceeds to the next user switch (SELECT PASSWORD TRANSMISSION MODE).  
If you press **STOP**, the display returns to the standby mode without registration.

```
*****XMT VERIFICATION  MM/DD/YY  HH:MM*****
*
*
*   DESTINATION      :   BROTHER INDUSTRIES
*   MODE             :   G3   STANDARD
*   PAGE(S)         :   01
*   RESULT          :   OK
*
*
*****BROTHER FAX-200*****
```

- NOTE 1:** Only when the transmit report function (XMT VERIFICATION) is set to ON and your document was properly transmitted, the unit prints out the above report.
- NOTE 2:** If a communication error occurred, a communication error report (see p. 38) is always printed out whether the transmit report function is ON or OFF.
- NOTE 3:** If the line was busy and your document was not transmitted, neither the above report nor a communication error report is printed out.

### E. Selecting the Password Transmission mode

**NOTE:** The FAX PASSWORD permits transmission to you by units with the same matching pass-code. Use this feature if you are part of a closed network or if fax "junk mail" is a problem. Registration of the passcode is described in ADVANCED OPERATIONS below.

1. Press "6" in the USER SWITCH SELECTION MODE. The LCD will display:

```

PASSWORD:OFF  — AUTO ANS
                — PASSWORD
```

2. Select the **ON** or **OFF** mode using the cursor keys.

```

PASSWORD:ON   — AUTO ANS
                — PASSWORD
```

3. If you press **SET**, the PASSWORD TRANSMISSION MODE is selected and the display returns to the USER SWITCH SELECTION MODE.  
If you press **NEXT**, the the PASSWORD TRANSMISSION MODE is selected and the display proceeds to the next user switch (SELECT AUTO ANSWER & NUMBER OF RINGS).  
If you press **STOP**, the display returns to the standby mode without registration.

If you have set Password into ON position, the LCD shows "-" at the proper position in standby mode.

```

01/01/89 00:00  — AUTO ANS
                  — PASSWORD
```

---

**Important: Unless necessary, leave the Password Transmission OFF to permit communication with non-Brother units.**

---

## F. Selecting the Auto Answer & Number of Rings mode

1. Press "7" in the USER SWITCH SELECTION MODE. The LCD will display:

AUTO ANS:1 — AUTO ANS  
 — PASSWORD

You can set the Automatic Answer to ON or OFF and in the ON position, you can have the unit answer on 1 ring or 4 rings.  
 "AUTO ANS:1" means the unit answers on the first ring.

2. Make your selections using the cursor keys.
3. If you press **SET**, the Auto Answer & Number of Rings are selected and the display returns to the USER SWITCH SELECTION MODE.  
 If you press **NEXT**, the Auto Answer & Number of Rings are selected and the display reverts to the first user switch (SET THE RESOLUTION).  
 If you press **STOP**, the display returns to the standby mode without registration.

If you have set the Auto Answer into ON position (1 ring or 4 rings), the LCD shows "—" at the proper position in standby mode.

01/01/89 00:00 — — AUTO ANS  
 — PASSWORD

## ADVANCED OPERATIONS

### I. TEMPORARY REGISTRATION SETTINGS

While you may be satisfied with the programmed settings of the unit for virtually all of your operations, there may be instances when you wish to change one or more of the settings. For example, normally, you use STANDARD RESOLUTION. However, you have to transmit a photograph. Since this is likely to be a rather infrequent type of transmission, you might wish to change it for the duration of this one transmission only. This is accomplished via *temporary settings*. After the completion of the transmission, the unit automatically reverts to your permanent settings (either the ones you've programmed or the factory settings if you left those).

**REMINDER:** You can set the RESOLUTION and CONTRAST in two ways – Temporary or Permanent (See p.24 ~ 25). The difference when setting is whether you put a document in the feeder (temporary) or not (permanent). The Temporary Registration Settings are valid only for as long as the document for which they were set is being transmitted. Once the transmission has been completed, the settings will revert to the User Switch Settings or to the factory settings (if you did not program your own).

#### A. Making Temporary Settings

1. **Set a document into the feeder.** If you do not do so, you will NOT be able to access the menu for making temporary settings. Instead, you will get the normal FUNCTION MODE menu which you've used while getting ready to program the unit. With the document in the feeder, the LCD will display:

FAX/COPY READY

— AUTO ANS  
— PASSWORD

2. Press **FUNCTION**. The LCD will display:

FUNCTION(0-9)?

— AUTO ANS  
— PASSWORD

3. Now, you have a choice as to which setting you wish to change **for this transmission only**.

<u>Number to press</u>	<u>What will this do for this transmission only</u>
1	Lets you change the <i>resolution</i> : STD, FINE, PHOTO
2	Lets you change the <i>contrast</i> : NORMAL, LIGHT, DARK
3	NOT USED
4	NOT USED
5	NOT USED
6	ON/OFF toggle switch for <i>total number of pages sent</i>
7	NOT USED
8	ON/OFF toggle switch for COVERPAGE™ function
9	ON/OFF toggle switch for <i>call pickup alert</i>
0	ON/OFF toggle switch for <i>callback message</i>

In virtually all of these cases, the actual procedures for altering settings are identical to the ones described for making permanent settings (see PROGRAMMING THE UNIT). The new settings, e.g., COVERPAGE™ function, Call Pickup Alert and CALLBACK message are explained below.

## B. Call Pickup Alert

This function works when your unit is transmitting to another unit. It is designed to tell the recipient that you want to talk to him after the completion of the message and before the units are either automatically or manually disconnected from each other.

For this function to operate, place a document into the feeder. The unit must be placed into the Temporary Function Mode prior to the initiation of transmission by pressing **FUNCTION**.

- Once in Temporary Function Mode, press "9". The LCD will display:

CALL PICKUP:OFF	AUTO ANS
	PASSWORD

- Select ON or OFF using the cursor keys.

CALL PICKUP:ON	AUTO ANS
	PASSWORD

- Press **SET** to register this setting.
- Press **SET**. Dial and start the fax transmission.
- When the fax transmission is completed, the receiver's facsimile will sound as if a new telephone call is being received.  
If receiver answers, your unit will also sound as if a new telephone call is being received.  
Pick up your handset. The LCD of the unit will change to:

CALL PICKUP	AUTO ANS
	PASSWORD

You can start using the unit as a phone to talk to the receiver.

## C. Callback Message

This function is used when there is no response to the Call Pickup request. The **CALLBACK** message function is a way of telling the other person that you want to talk to him or her. There are two distinct ways of sending a callback message:

- Sending it as a completely separate transmission
- Tacking it on to a document that is being transmitted as an additional page.

### 1. Sending the call back message as a separate transmission

- Starting in the standby mode (date and time displayed on the LCD), press **FUNCTION**.
- Once in the **FUNCTION MODE**, press "0". The LCD will display:

CALL BACK:ON	AUTO ANS
	PASSWORD

- Press **SET**. The LCD shows:

FAX:	AUTO ANS
	PASSWORD

- Enter the fax number and press **START**. You can enter the fax number using one of the following:

Manual dial:	press <b>MAN.DIAL</b> button.
One-touch dial:	enter 0 to 9
Speed dial:	press #, and enter 01 to 10

- When the transmission has started, the LCD shows the receiver's fax number:

00181522635842 — AUTO ANS  
— PASSWORD

There are several things to keep in mind:

- Program your fax number and destination name. (see p.20)
- If you did NOT register the receiver's name (company name) along with his one-touch or speed-dial number (as explained on page 12), or if you are using manual dialing, the identification of destination will NOT be printed, but only the fax number will be printed.

**NOTE:** This function can only be performed in this manner if there is no document in the document feeder.

## 2. Tacking on the Callback Message as the Last Page of a Transmitted Document

- Once in Temporary Function Mode, press "0". The LCD will display:

CALL BACK:OFF — AUTO ANS  
— PASSWORD

- Select the ON or OFF setting using the cursor keys:

CALL BACK:ON — AUTO ANS  
— PASSWORD

- Press **SET** to register the setting.
- Press **SET**. Dial and start the fax transmission.

The following is an example of the Callback Message:

---

==== CALL BACK MESSAGE ====

TO: BROTHER INDUSTRIES

FAX: 001-81-52-263-5842

FROM: BROTHER INTERNATIONAL

FAX: 201-828-5881

PLEASE CALL AT (FAX): 201-828-5881

brother

---

**NOTE 1:** When you set CALL PICKUP ON, you can not set CALLBACK MESSAGE ON. Remember that if you could not talk to your destination using the CALL PICKUP function, the unit will automatically send a callback message.

**NOTE 2:** When you set CALLBACK MESSAGE ON, you can not set CALL PICKUP ON.

**NOTE 3:** When you use CALLBACK function, setting the number of rings of AUTO ANSWER at 4 rings at each fax terminal is recommended. This is because when someone calls you back, while the AUTO ANSWER is set at 1, your fax machine will enter the message receiving condition if you do not pick up the handset before the second ring.

## D. Printing the Total Number of Pages Transmitted

This function works only in the *temporary setting mode*. It is designed to tell the recipient how many pages were transmitted to his fax unit. This will enable him to check whether all of the transmitted pages were received.

- Place the document into the feeder.
- Press **FUNCTION**.
- Once in Temporary Function Mode, press 6. The LCD will display:

#PGS:OFF	AUTO ANS
	PASSWORD

- Select the ON or OFF setting using the cursor keys.
- With the function ON the LCD will display:

#PGS:TOTAL 00	AUTO ANS
	PASSWORD

- Enter a number from 01 to 99.
- Press **SET**.
- Press **SET**. Dial and start the fax transmission.

## E. COVERPAGE™

This unique Brother function adds an electronic cover page to the faxed document, thus alleviating the need to write or type a fax cover page. When this function is activated, as described below, the following cover page will automatically appear:

---

	==== COVER PAGE ====
TO:	<u>BROTHER INDUSTRIES</u>
FAX:	001-81-52-263-5842
FROM:	<u>BROTHER INTERNATIONAL</u>
FAX:	201-828-5881
	05 PAGE[S] TO FOLLOW
COMMENT:	URGENT
	brother FAX COVERPAGE

---

For this function to operate, place a document into the feeder. Press **FUNCTION**. The unit is now placed in the Temporary Function Mode.

- Once in the Temporary Function Mode, press **8**. The LCD will display:

COVERPAGE:OFF	AUTO ANS
	PASSWORD



- Use the cursor keys to turn this function ON and press **SET**. The LCD will display one of the six (6) pre-programmed comments or COMMENT OFF selection, for instance:

URGENT — AUTO ANS  
— PASSWORD

- Select NO COMMENT or any of the six available messages to go onto the cover page by pressing a cursor key repeatedly until the desired message appears:

1. NO COMMENT	Appears on LCD as:	COMMENT:OFF
2. URGENT	Appears on LCD as:	URGENT
3. CONFIDENTIAL	Appears on LCD as:	CONFIDENTIAL
4. FOR DISTRIBUTION	Appears on LCD as:	FOR DISTRIBUTION
5. PLEASE CALL	Appears on LCD as:	PLEASE CALL
6. ORDER CONFIRMATION	Appears on LCD as:	ORDER CONFIRMATI
7. PER YOUR REQUEST	Appears on LCD as:	PER YOUR REQUEST

- Press **SET** and the LCD will revert to:

FUNCTION(0-9)? — AUTO ANS  
— PASSWORD

- Press **SET**. Dial and start fax transmission.

Here is an explanation of the above example of the COVERPAGE™:

		<u>Explanation</u>
TO:	<u>BROTHER INDUSTRIES</u>	— Destination name
FAX:	201-81-52-263-5842	— Destination fax number from one-touch or speed-dial memory
FROM:	<u>BROTHER INTERNATIONAL</u>	— Your company name
FAX:	201-981-0300	— Your company fax number
05 PAGE[S] TO FOLLOW		— Total page count (optional)
COMMENT:	URGENT	— Selectable message

**NOTE:** The total number of pages will NOT be included unless you've registered it as described on page 31.

## II. Setting the Fax Password

- The Fax Password permits transmission to you only by units with the same matching passcode.
- Use the Fax Password feature if you are part of a closed network or if fax "junk mail" is a problem.

The factory setting for this FOUR-DIGIT CODE is 0000.

1. Start in the REGISTRATION & SETTING mode (press **FUNCTION** and "1") where the LCD displays:

REGISTER(0-9)?	AUTO ANS
	PASSWORD

2. Press "6". The LCD will display:

PASSWORD: 0000	AUTO ANS
	PASSWORD

3. Use the numeric ten key pad to enter numbers other than "0000", e.g.,

PASSWORD: 1234	AUTO ANS
	PASSWORD

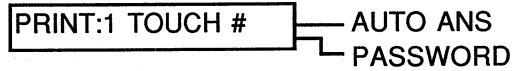
When you finish entering the fourth digit of the passcode, the cursor will go back to the first digit.

4. If you are pleased with your selected number, press **SET** and the unit will return to the REGISTRATION & SETTING mode:
5. If you wish to change the password, re-enter appropriate numbers at Step 3, using the ten key pad. When satisfied, press **SET**.
6. Press **SET** twice. The unit will revert to standby mode.

### III. PRINTING OUT LISTS

If you wish to check what has been programmed into the unit, you can print out a number of lists. To do so:

- Without a document in the feeder, press **FUNCTION**.
- Once in the FUNCTION MODE, press "2". The LCD will display:



- Use the cursor keys to change the type of information that you want printed among the following choices:

- PRINT: 1 TOUCH#    –    Phone/FAX one-touch dial list
- PRINT: SPEED#     –    Phone/FAX speed-dial list
- PRINT: USER SW    –    All of the User Switch settings
- PRINT: ALL LISTS  –    All Phone/FAX dial lists

- Press **START** when you see the desired list on the LCD.
- Press **SET** to revert to standby mode.

The *One-Touch* list looks as follows (an example):

```
***** FAX ONE TOUCH DIAL LIST **** MM/DD/YY HH:MM *****
*
*
*   NO.   DIAL   DESTINATION NAME
*   -----
*   (0)   212P555-1212   NYC TEL INFO
*   (1)   201P981-0300   BROTHER INT
*   (2)   516P751-1552   MEADOWS COMM.
*   (3)   617P555-1212   BOSTON INFO
*   (4)   516P555-1212   LI TEL INFO
*   (5)
*   (6)
*   (7)
*   (8)
*   (9)
*
***** BROTHER FAX-200 *****
```



#### IV. UNDERSTANDING AUDIO SIGNALS

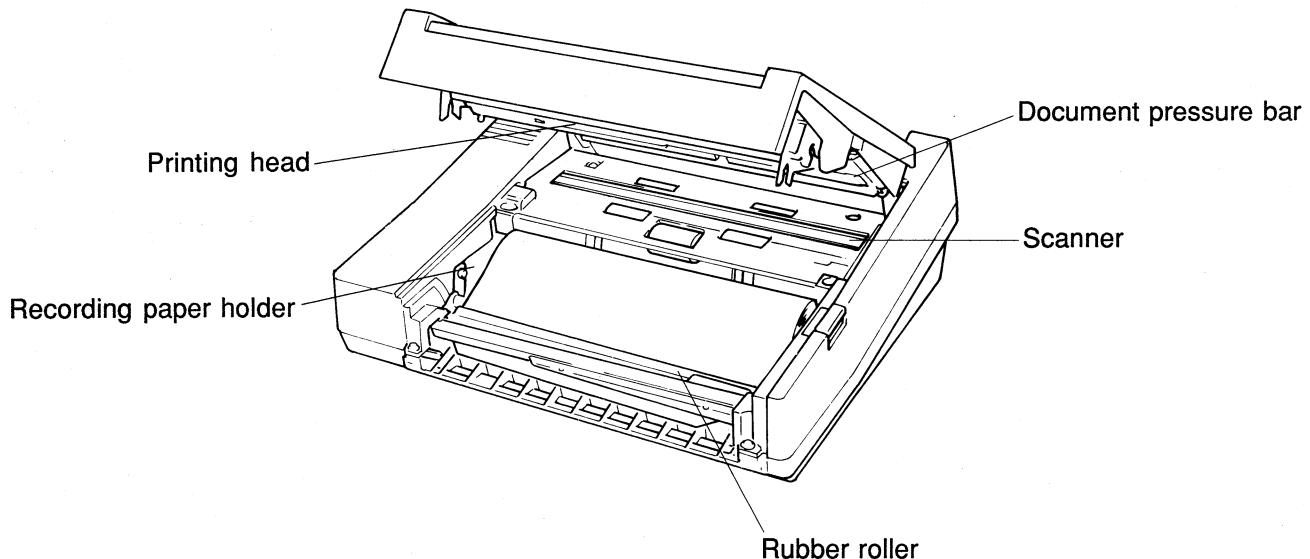
The **FAX-200** emits several tones:

- Touch tone                   –    is heard when you press a ten-key.  
This is a short tone (0.1 sec.).
- Rejection tone               –    is heard when you press a key that cannot be accepted  
by the unit. This tone sounds for approximately half a  
second.
- Completion tone           –    is heard when a transmission, reception or copy is  
completed.  
This tone is twice as loud as the rejection tone and lasts  
about a second.
- Alarm tone                   –    is heard when a communication error has been detected.  
It lasts for about 6 seconds at half-second intervals. It is  
as loud as the Rejection tone.
- –    is heard when an equipment error has been detected or  
the unit runs out of paper. It lasts for about 6 seconds  
continuously and is as loud as the Completion tone.

## CARING FOR YOUR FAX-200

Optimum print quality can be maintained if the scanning and printing area are cleaned after using three or four rolls of recording paper. The procedure is explained below:

**WARNING: Unplug this product from the wall jack when cleaning.**



### I. CLEANING THE PRINTING AREA

- Remove the recording paper roll from the unit.
- Using an applicator or a soft cloth soaked in alcohol, gently remove any dirt from the printing head. Do not use organic solvents, such as benzene or thinner.
- Use a dry cloth to gently wipe off any dirt from the rubber roller and the recording paper holder.

### II. CLEANING THE SCANNING AREA

- Using an applicator or a soft cloth soaked in alcohol, gently remove any dirt from the scanner and the document pressure bar. Do not use organic solvents, such as benzene or thinner.

### III. CLEANING THE BODY OF THE UNIT

- Use a dry cloth to gently wipe off any dirt from the body of the unit. Remove visible dirt and dust.
- Do not use water, alcohol, thinner or any other organic solvent.

## ERROR MESSAGES

### 1. Equipment error

The following error messages are displayed on the LCD when the appropriate equipment errors occur:

<u>LCD reads:</u>	<u>Error / Malfunction</u>
ADD PAPER	No recording paper
CLOSE/PRESS STOP	Cover is open
PRINTER ERROR	Recording error
SCANNER ERROR	Reading error
PAPER JAM	Paper jamming

When any of these errors occur, the buzzer beeps for 6 seconds continuously.

### 2. Communication error

When a communication error occurs, the buzzer beeps intermittently for 6 seconds and the LCD displays a message, "COMM ERROR". A report is printed by the unit:

```
***** COMMUNICATION ERROR REPORT MM/DD/YY *****
*
*
*          DESTINATION:      :      BROTHER INDUSTRIES
*          MODE:             :      G3 STANDARD
*          ERROR PAGE       :      01
*          RESULT           :      NG
*
*
***** BROTHER FAX-200 *****
```

The number in **ERROR PAGE** shows that the page at that number and the pages after it were not transmitted properly. For example, if you transmitted 3 pages and the number in **ERROR PAGE** is 02, only the first page was transmitted properly, and the second and third pages were not.

If the unit detects the black mark on the paper indicating the approaching end of the roll, the LCD will display: **ADD PAPER**. However, even if a new roll is inserted, the report or list will not be outputted any more. When red stripe appears on the paper replace the old paper roll with new one.

**NOTE:** If the document is not fed out of the unit when the LCD displays "COMM ERROR", press **STOP** to feed out the document.

## TROUBLESHOOTING

If you are having trouble with the image quality in TRANSMIT or RECEIVE modes, try the unit in the COPY mode. If this test gives you a good reproduction, the problem is not with your unit but with the other unit or the telephone lines.

If this GUIDE does not help you in solving a problem with your unit, please call our service at: 1-800-284-4 FAX.

### 1. Transmission

Symptom	Possible Cause	Action
Document jam	Jam in transmitting section	Press recording paper cover button and open the cover. Remove the jammed document or recording paper. Close the cover. Make sure you hear it click into place.
Document not feeding properly	Cover isn't closed securely  Document's left edge doesn't align with document guide Document is too thick/thin/ wet/wrinkled/curled/torn/ too small	Push the cover shut until you hear a click.  Reset the document to align with the guide.  Make a copy of the document using a photo-copier and fax the copy.
Documents are impossible to feed	Documents are inserted from stacker	Insert documents from the front side.
Password transmission error	Password of the receiver is set to OFF  Passwords do not match  Receiving fax doesn't have Password function	Contact the receiver.
Image quality of the transmitted document is poor	Problem with the receiver  Scanning head is dirty  Scanning head is bad	Use your fax to make a copy. If copy quality is good, the problem is with the receiver  Clean the scanning head as described above.  Call Brother service center.
Documents you sent are received blank	Document is set face-up in the feeder	Set the document face down in the feeder.
Auto Transmission is not working	You auto-dialed a wrong number (not a fax number)  Delayed sending is set.	Check the fax number registration in your auto dial memory.  Use manual transmission.



**2. Reception**

<b>Symptom</b>	<b>Possible Cause</b>	<b>Action</b>
Manual reception doesn't work	Document left in the unit	Remove the document.
Recording paper is jammed	Recording paper is set wrong Papers jammed in receiving section Documents are not sent correctly	Reload the paper roll correctly. Remove the jammed paper. Contact the sender.
Received copies are blank	Recording paper roll has been inserted backwards Documents are not sent correctly	Reload the paper roll correctly. Check with the sender.
The telephone rings continuously	No recording paper roll Auto answer is OFF The cover is not closed properly	Load new paper roll. Turn AUTO ANS ON. Push the cover shut until you hear a click.
Image quality isn't good	Wrong type of paper is used Printing area is dirty	Replace with proper thermal paper. Clean the printing head as described above.

Problems that may occur during COPYING are virtually identical to the problems discussed above.

## ONE-TOUCH TELEPHONE DIRECTORY

ONE-TOUCH NUMBER	TELEPHONE NUMBER	NAME
0		
1		
2		
3		
4		
5		
6		
7		
8		
9		

## SPEED DIAL TELEPHONE DIRECTORY

ONE-TOUCH NUMBER	TELEPHONE NUMBER	NAME
01		
02		
03		
04		
05		
06		
07		
08		
09		
10		

## SPECIFICATIONS

Type:	Desktop facsimile transceiver
Compatibility:	CCITT Group 3
Coding method:	Modified Huffman (MH)
Modulation:	CCITT V.27 ter and a V.29 modem (9600 bps)
Document input size:	8.5"
Recording paper size:	8.5"x98.4'
Recording paper type:	Thermal roll
Effective scanning width:	8.2"
Effective recording width:	8.2"
Scanner type:	Contact Image Sensor (CIS)
LCD:	16 digits x 1 line
Recorder type:	Line, thermal
Resolution:	Standard Mode – 203x98 lines/inch; Fine Mode – 203x196 lines/inch Photo Mode – 203x196 lines/inch
Contrast control:	Normal, Light, Dark
Document feeder:	5 pages
Document cutter	Automatic
Gray scale:	16 shades
Telephone function:	Built-in handset
Dialing method:	Selectable tone/pulse
One touch:	10 numbers up to 22 digits
Speed dial:	10 numbers up to 22 digits
Speaker type:	Monitor
Power source:	110-120 VAC, 60Hz
Communications source:	Public Switched Telephone Network
Connection requirements:	USOC RJ11C modular jack or equivalent
Power consumption:	Standby: under 12 watts; Peak: under 120 watts
Operating environment:	44°F to 95°F
Dimensions:	16.4" x 11.2" x 5"
Weight:	12.6 lb

***Specifications are subject to change without notice***

(FAX-200) 5 X 1 - 210  
U85257001 ②  
8910  
Printed in Japan

## Free Manuals Download Website

<http://myh66.com>

<http://usermanuals.us>

<http://www.somanuals.com>

<http://www.4manuals.cc>

<http://www.manual-lib.com>

<http://www.404manual.com>

<http://www.luxmanual.com>

<http://aubethermostatmanual.com>

Golf course search by state

<http://golfingnear.com>

Email search by domain

<http://emailbydomain.com>

Auto manuals search

<http://auto.somanuals.com>

TV manuals search

<http://tv.somanuals.com>