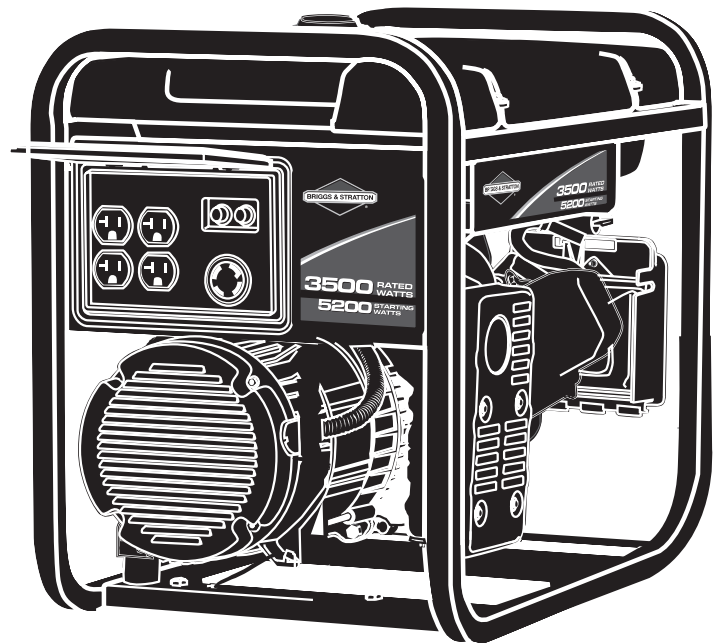




# 3500 WATT

## Model 030218

### Illustrated Parts List



#### Questions?

**Help is just a moment away!**  
Find your Briggs and Stratton distributor in our distributor locator map at [www.briggsandstratton.com](http://www.briggsandstratton.com) or contact your local Briggs and Stratton dealer for further information.

#### Perguntas?

**O auxílio está a poucos passos!**  
Procure o fornecedor de serviços autorizados mais próximo em nosso mapa de fornecedores em [www.briggsandstratton.com](http://www.briggsandstratton.com) ou entre em contato com seu representante local da Briggs & Stratton para obter mais informações.

#### Preguntas?

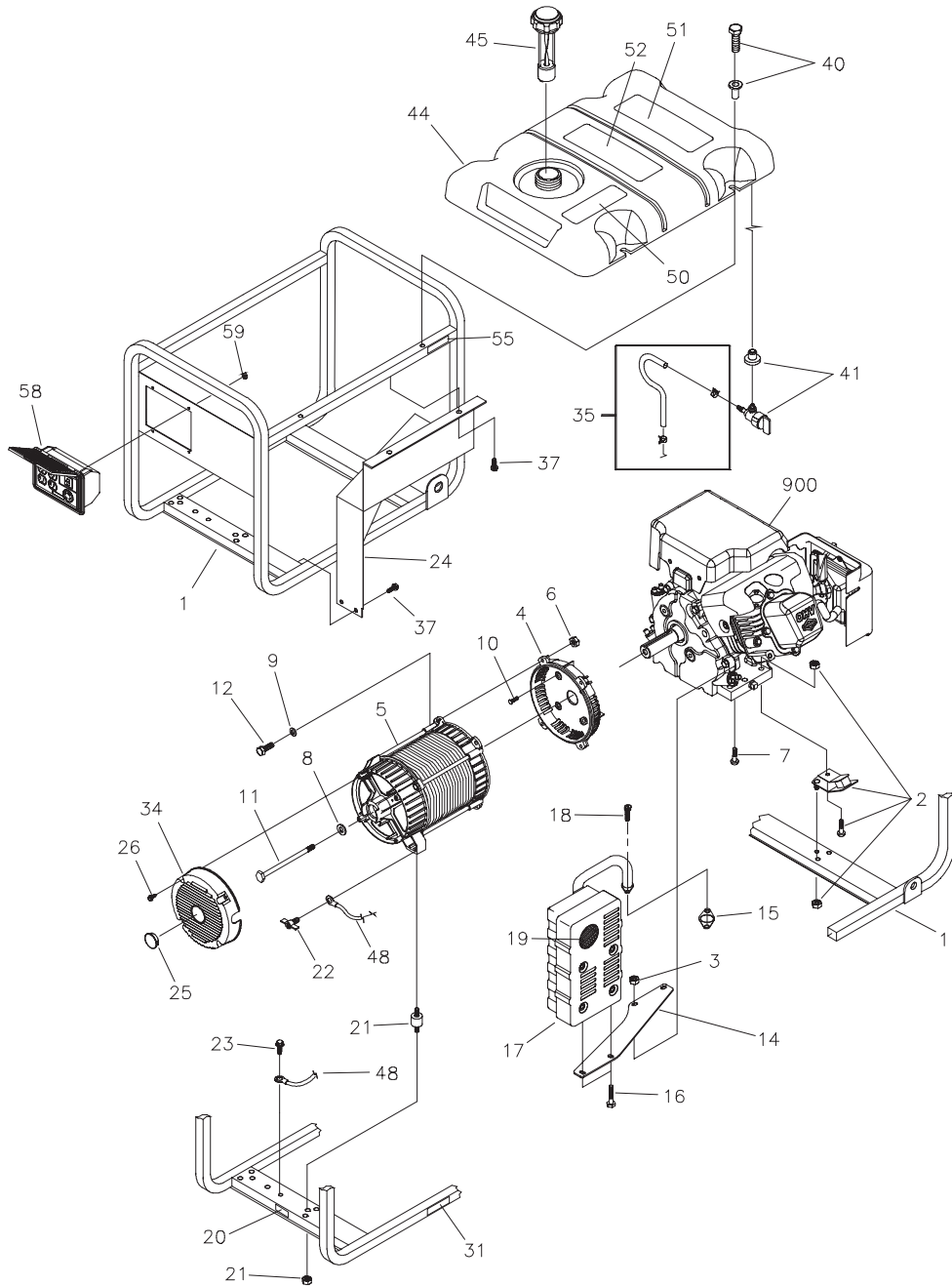
**La ayuda es justa un momento lejos!**  
Encuentre su Briggs y Stratton distribuidor en nuestro mapa del localizador de distribuidor en [www.briggsandstratton.com](http://www.briggsandstratton.com) o avise su Briggs y Stratton el comerciante local para la información adicional.

**BRIGGS & STRATTON POWER PRODUCTS GROUP, LLC**  
**JEFFERSON, WISCONSIN, U.S.A.**

Manual No. 196382A  
Revision B (06/20/2007)



# EXPLODED VIEW - MAIN UNIT



Copyright © 2007 Briggs & Stratton Power Products Group, LLC. All rights reserved. No part of this material may be reproduced or transmitted in any form by any means without the express written permission of Briggs & Stratton Power Products Group, LLC.



## EXPLODED VIEW - PARTS LIST

Item	Part #	Description	Item	Part #	Description
1	M194779GS	KIT, Cradle (Includes 20, 31 & 55)	41	192980GS	KIT, Valve, Tank Fuel Service
2	194150GS	MOUNT, Vibration	44	197553GS	ASSY., Tank, Fuel Service (Includes Items 41, 50, 51, 52 & 53)
3	67989GS	NUT, M8 Flange Serrated	45	B4363GS	GAUGE, Fuel
4	186058AGS	HOUSING, Engine Adapter	48	195373GS	WIRE, Ground
5	NSP	ASSY, Alternator (see page 4)	50	191437GS	DECAL, Fuel Level
6	*	NUT, Hex, M8 - 1.25	51	197157GS	DECAL, Warning
7	195398GS	TPHMS, M8 - 1.25 x 35	52	189235GS	DECAL, Operating Instructions
8	96796GS	WASHER, 8.4 x 22.2 x 3	53	202997GS	DECAL, Warning, CO
9	*	WASHER, 5/16 - M8 Lock	55	197798GS	DECAL, Fuel Shut Off
10	*	HHCS, 5/16-24 x 3/4, SEMS	58	196796GS	ASSY, Control Panel
11	24823GS	HHCS, 5/16-24 x 7-7/8" Lg	59	*	NUT, Palnut
12	*	HHCS, M8 - 1.25 x 25	900	§	ENGINE
13	*	HHCS, M6 - 1.0 x 12			
14	191785GS	BRACKET, Muffler			
15	697815	GASKET, Exhaust			
17	188301GS	MUFFLER			
18	*	SHCS, M6 - 1.0 x 20			
19	83083GS	SCREEN, Spark Arrest			
20	B4986GS	DECAL, Ground			
21	194153GS	KIT, Vibration Mount			
22	86494GS	SCREW, Wing M6 - 1.0 x 16			
23	86292GS	SCREW, 10-16 x 3/4, Self Drill			
24	191790GS	SHIELD, Heat			
25	191190GS	CAP			
26	74908GS	TAPTITE, M5-0.8 x 10 Lg			
31	191436GS	DECAL, Caution Hot Muffler			
34	195422GS	COVER, RBC, Plastic w/Cap			
35	195207GS	KIT, Hose Formed			
37	B2153GS	HHCS, 12 - 14 x 7/8" Self Driller			
40	194398GS	KIT, Fuel Tank Hardware (Includes Qty 4)			

### Parts Not Illustrated

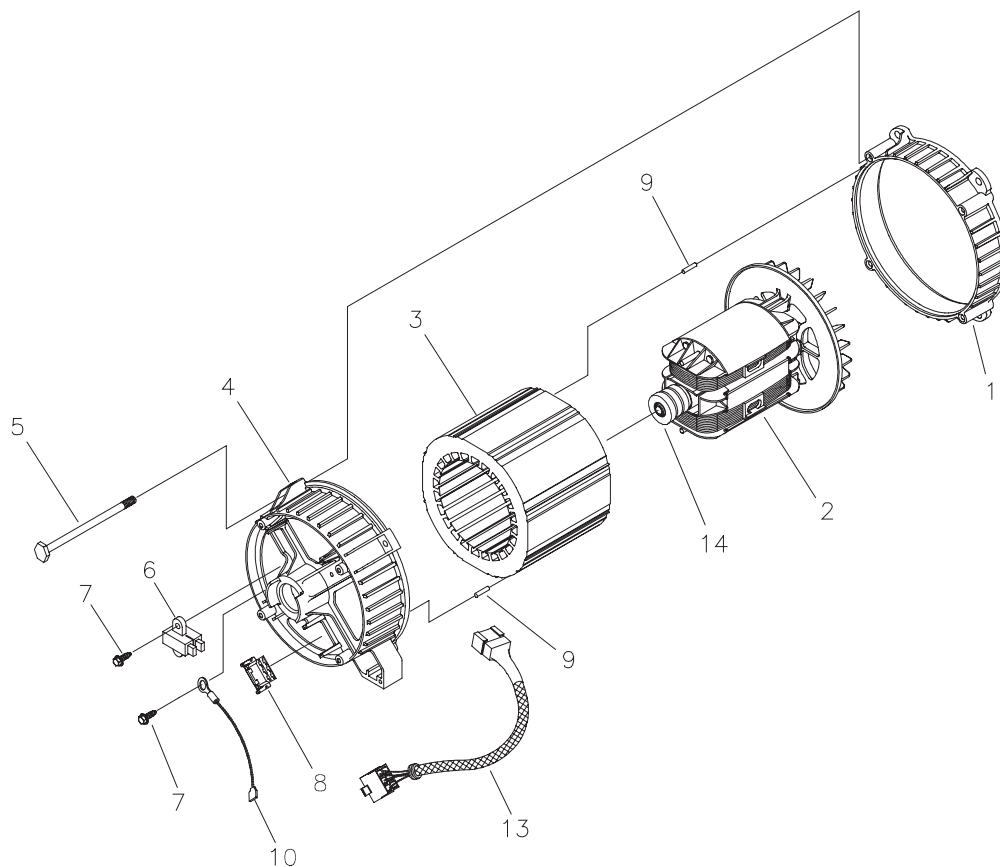
196382GS	MANUAL, Operator's
43483GS	PLUG, 250V, 20Amp
MS3790	MANUAL, Engine
202180GS	DECAL, Family, CA, EVP
197554GS	KIT, Decals Service

\* - Items without part numbers are common fasteners and are available at your local hardware store.

§ - Contact Engine Manufacturer



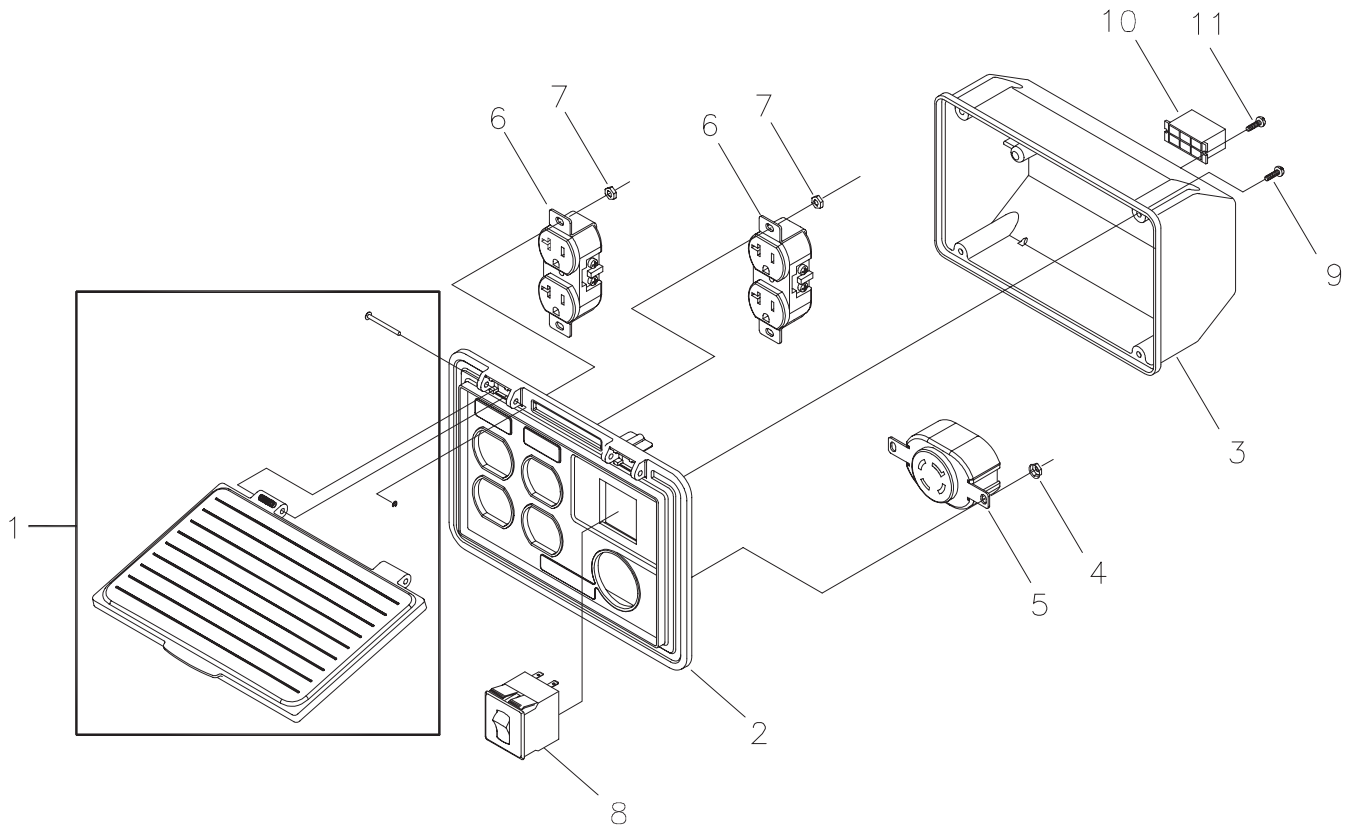
## EXPLODED VIEW AND PARTS LIST - ALTERNATOR



Item	Part #	Description
1	186059GS	ADAPTER, Mounting, Alternator
2	191685GS	ROTOR
3	191686AGS	STATOR
4	186060GS	RBC, with O-Ring (p/n 189197GS)
5	86308GS	HHCS, M6 - 1.0 x 115 SEMS
6	91825GS	ASSEMBLY, Holder, Rectifier/Brush
7	66849GS	TAPTITE, M5 - 0.8 x 16
8	22694GS	RECEPTACLE, 6 pin
9	81917GS	PIN, Roll, 4mm x 10
10	193428AGS	ASSY, Wire, Ground
13	194274GS	HARNESS, Wire, Power
14	65791GS	BEARING



## EXPLODED VIEW AND PARTS LIST - CONTROL PANEL



Item	Part #	Description
1	195112GS	ASSY, Control Lid Panel
2	196506CGS	CONTROL PANEL, Compact
3	192274GS	BOX, Rear Cover
4	*	NUT, Palnut, Pushnut, 3/16
5	68867GS	OUTLET, 120/240V Locking, 20A
6	63025GS	OUTLET, 120V, 15A, Duplex
7	*	NUT, Palnut, Pushnut, 5/32
8	191479CGS	BREAKER, 15, 2P
9	192241GS	SCREW, Tapping, 3.5 x 14
10	22694GS	HOUSING, Receptacle
11	82308GS	SCREW, Tapping, STC 3 x 18

\* - Items without part numbers are common fasteners and are available at your local hardware store.

## Free Manuals Download Website

<http://myh66.com>

<http://usermanuals.us>

<http://www.somanuals.com>

<http://www.4manuals.cc>

<http://www.manual-lib.com>

<http://www.404manual.com>

<http://www.luxmanual.com>

<http://aubethermostatmanual.com>

Golf course search by state

<http://golfingnear.com>

Email search by domain

<http://emailbydomain.com>

Auto manuals search

<http://auto.somanuals.com>

TV manuals search

<http://tv.somanuals.com>