



PRO MAX

030213 (2.8 kW)

Illustrated Parts List

CAUTION

Before using this product, read this manual and follow all Safety Rules and Operating Instructions.



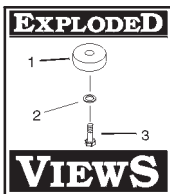
Questions?

Help is just a moment away!

Find your Briggs and Stratton distributor
at www.briggsandstratton.com
or contact your local Briggs and Stratton dealer.

BRIGGS & STRATTON POWER PRODUCTS GROUP, LLC
JEFFERSON, WISCONSIN, U.S.A.

Manual No. 196978B
Revision 0 (05/09/2005)



PARTS LIST - MAIN UNIT

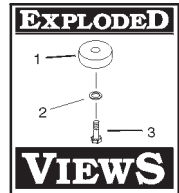
Item	Part #	Description
1	B196749GS	CRADLE
2	197567GS	KIT, Mount, Vibartion 45°
3	*	PPHMS, M8 - 1.25 x 35
4	186058AGS	HOUSING, Engine Adapter
5	194151GS	KIT, Hrdwr, Mounting Adapter
6	NSP	ASSY, Alternator (see page 4)
7	67989GS	NUT, M8 Flange Serrated
8	96796GS	WASHER, 8.4 x 22.2 x 3
9	193588GS	SPACER
10	*	HHCS, M8 - 1.25 x 20
11	99383GS	HHCS, 5/16-24 x 7-3/8
12	*	WASHER, Lock, M8 5/16
13	66476GS	HHCS, M6 - 1.0 x 12 w/ LW
14	191785GS	BRACKET, Muffler
15	697815	GASKET, Exhaust
16	*	HHCS, M8 - 1.25 x 30
17	188301GS	MUFFLER
18	*	SHCS, M6 - 1.0 x 20
19	83083GS	SCREEN, Spark Arrest
20	B4986GS	DECAL, Ground
21	194153GS	KIT, Vibration Mount
22	86494GS	SCREW, Wing M6 1.0 x 16
23	86292GS	SCREW, 10-16 x 3/4, Self Drill
24	197601GS	SHIELD, Heat
25	191190GS	CAP
26	74908GS	TAPTITE, M5-0.8 x 10
27	87841GS	MOUNT, Vibration
28	B1797GS	CLIP, Tree
29	*	WASHER, Shakeproof Ext. #10
30	*	WASHER, Shakeproof Ext. M6 - 1/4
34	195422GS	COVER, Bearing Carrier
35	197619GS	KIT, Fuel Hose w/ Clamps
38	56893GS	CRIMPTITE, 10-24 x 1/2
40	197618GS	KIT, Fuel Tank Hardware
41	195590GS	FITTING, Elbow Tank
44	197620GS	ASSY, Tank, Fuel (Includes Items 41, 45, 46, 51 & 53)
45	189135GS	CAP, Fuel, Vented
46	197499GS	STRAINER, Tank Fuel
48	14353621GS	WIRE, Ground
51	197157GS	DECAL, Warning
53	189136GS	GAUGE, Fuel
58	195782GS	ASSY, Control Panel (see page 5)
59	189164GS	PALNUT, 3/16
900	§	ENGINE

Parts Not Illustrated

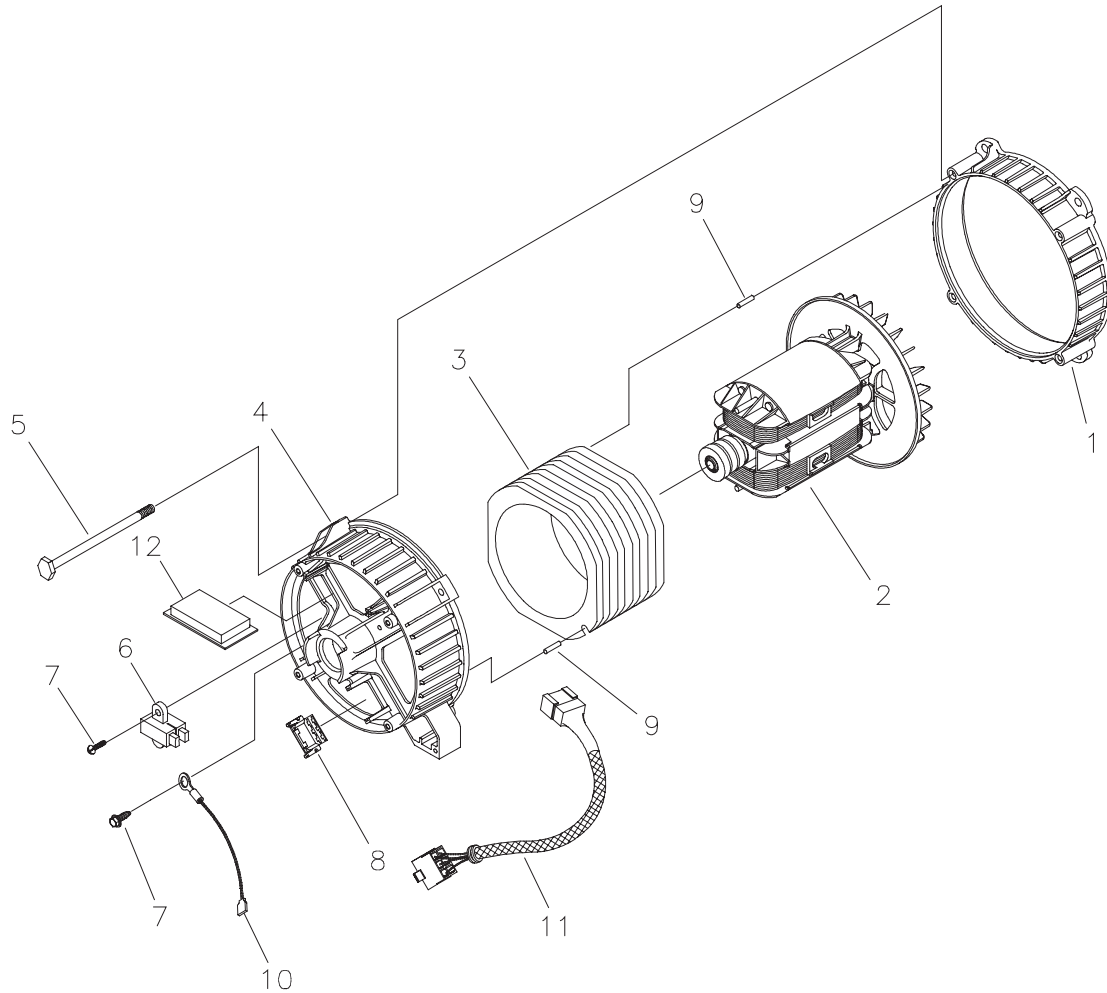
MS6737	MANUAL, Engine
196761GS	MANUAL, Owners, CHN
196978GS	MANUAL, Owners, English
197621GS	KIT, Decals Service
190356GS	HARNESS, Wire, Power Gen

* - Items without part numbers are common fasteners and are available at your local hardware store.

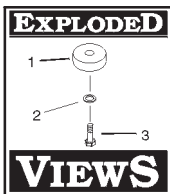
§ - Contact Engine Manufacturer



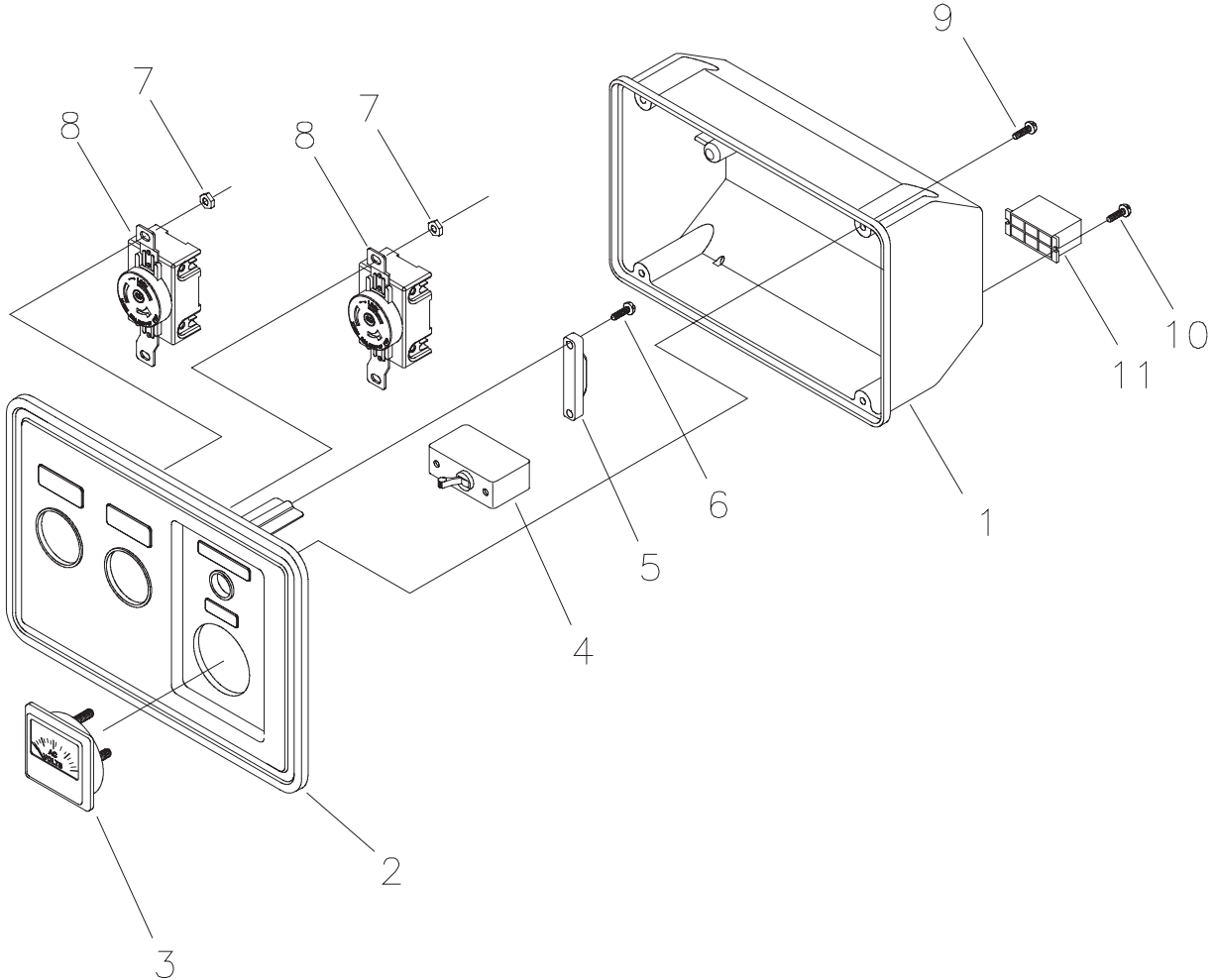
EXPLODED VIEW AND PARTS LIST - ALTERNATOR



Item	Part #	Description
1	186059GS	ADAPTER, Mounting, Alternator
2	195841GS	ROTOR
3	195839AGS	STATOR
4	186060GS	RBC, with O-Ring (p/n 189197GS)
5	86308JGS	HHCS, M6 - 1.0 x 95 SEMS
6	66386GS	ASSY, Holder, Brush
7	66849GS	TAPTITE, M5 - 0.8 x 16
8	22694GS	RECEPTACLE, 6 pin
9	81917GS	PIN, Roll, 4mm x 10
10	193428AGS	ASSY, Wire, Ground
11	190356GS	HARNESS, Wire, Power
12	189769GS	REGULATOR



EXPLODED VIEW AND PARTS LIST - CONTROL PANEL



Item	Part #	Description
1	188890GS	BACK PANEL
2	195783GS	PANEL, Control
3	98242GS	METER, Volt
4	195968BGS	BREAKER, Circuit, 15A
5	196952GS	BAR, Retaining, Circuit Breaker
6	*	PPPHS, M3 - 0.5 x 18
7	*	PALNUT, 3/16
8	195969GS	OUTLET, 230V, 20A Locking
9	192241GS	SCREW, Tapping, 3.5 x 14
10	82308GS	SCREW, Tapping, STC 3 x 18
11	22694GS	HOUSING, Receptacle

* - Items without part numbers are common fasteners and are available at your local hardware store.

Free Manuals Download Website

<http://myh66.com>

<http://usermanuals.us>

<http://www.somanuals.com>

<http://www.4manuals.cc>

<http://www.manual-lib.com>

<http://www.404manual.com>

<http://www.luxmanual.com>

<http://aubethermostatmanual.com>

Golf course search by state

<http://golfingnear.com>

Email search by domain

<http://emailbydomain.com>

Auto manuals search

<http://auto.somanuals.com>

TV manuals search

<http://tv.somanuals.com>