

# Breville®

## Breville Consumer Service Center

### USA

**Mail:** Breville USA  
19400 S. Western Ave  
Torrance CA  
90501-1119

**Phone:** 1-866-273-8455  
1-866-BREVILLE

**Email:** [askus@brevilleusa.com](mailto:askus@brevilleusa.com)

### Canada

**Mail:** Breville Canada  
2555, Avenue de l'Aviation  
Pointe-Claire (Montreal)  
Quebec H9P 2Z2

**Phone:** 1-855-683-3535

**Email:** [askus@breville.ca](mailto:askus@breville.ca)

[www.breville.com](http://www.breville.com)

Breville is a registered trademark of Breville Pty. Ltd. A.B.N. 98 000 092 928.  
Copyright Breville Pty. Ltd. 2013.

Due to continued product improvement, the products illustrated/photographed  
in this booklet may vary slightly from the actual product.

**Model BPZ600XL Issue - E13**

# Breville®

*the Crispy Crust™*

Instruction Booklet -Livret d'instructions



**BPZ600XL**

# CONGRATULATIONS

on the purchase of your Breville product

Register online for product support  
and exclusive offers.\*

USA Consumers: [www.brevilleusa.com](http://www.brevilleusa.com)

Canadian Consumers: [www.breville.ca](http://www.breville.ca)

\*Registering is not a substitute for proof of purchase when submitting a Warranty Claim.

## CONTENTS

- 4** Breville recommends safety first
- 7** Know your Breville Product
- 9** Operating your Breville Product
- 13** Cooking guide
- 15** Care, cleaning and storage
- 18** Troubleshooting
- 20** Recipes

At Breville we are very safety conscious. We design and manufacture consumer products with the safety of you, our valued customer, foremost in mind. In addition we ask that you exercise a degree of care when using any electrical appliance and adhere to the following precautions.

## **IMPORTANT SAFEGUARDS**



### **READ ALL INSTRUCTIONS BEFORE USE AND SAVE FOR FUTURE REFERENCE**

- Remove and safely discard any packaging material and promotional stickers before using the appliance for the first time.
- To eliminate a choking hazard for young children, remove and safely discard the protective cover that is fitted to the power plug of this appliance.
- Do not place the appliance near the edge of a bench or table during operation. Ensure the surface is level, clean and free of water and other substances.
- Do not place the appliance on or near a hot gas or electric burner, or where it could touch a heated oven.
- Position the appliance at a minimum distance of 8 inches (20cm) away from walls, curtains, cloths and other heat sensitive materials.
- Always operate the appliance on a stable, heat-resistant surface. Do not use on a cloth-covered surface, near curtains or other flammable materials. Do not use on a metal surface, for example, a sink drain board.
- When operating the appliance, ensure the power cord is kept away from any heat source including the surface of the appliance. Ensure the power cord does not become trapped between the lid and base of the appliance.
- Always ensure the appliance is properly assembled before use. Follow instructions provided in this book.
- The appliance is not intended to be operated by means of an external timer or separate remote control system.
- When operating the appliance, insert the power plug into a single power outlet. Do not plug into a double adaptor, or similar, and use with other appliances.
- Do not place cardboard, plastic, paper, or other flammable materials near or in the appliance.
- The outer surface of the appliance may be very hot when operating at high temperatures. Always wear protective, insulated oven gloves when inserting, removing or handling items from the pizza oven when hot. Alternatively, allow the pizza oven to cool before handling.
- Do not lean or stand over the appliance when opening the lid as steam may be released.
- Do not place anything on top of the appliance.
- Do not leave the lid open for extended periods of time.
- Do not place hands inside the appliance during operation.
- Do not insert oversized foods into the appliance as this may create risk of fire.
- Cook on one side of the pizza stone only. Do not reverse pizza stone to cook on the clean side if it becomes stained or discolored.
- Do not store any materials other than the supplied accessories in the pizza oven when not in use.

- Do not attempt to operate the pizza oven by any method other than those described in this booklet. Do not leave the pizza oven unattended when in use.
- Always ensure the pizza oven has cooled, is unplugged before attempting to move the appliance, when not in use, if left unattended and before disassembling, cleaning or storing.
- To protect against electric shock do not immerse the pizza oven, cord or power plug in water or any other liquid.
- Keep the appliance clean. Follow the cleaning instructions provided in this book.
- Caution should be exercised when cooking foods with high oil content such as pine nuts, walnuts and cheese. Broiling these foods, cooking them for extended periods of time or at high temperature may create a fire risk.
- In the event that any foods catch fire in the pizza oven, keep the oven lid closed. Turn the pizza oven off and unplug from the power outlet. Wait until the fire goes out before opening the pizza oven lid.
- Do not touch hot surfaces. Use handles or knobs.
- The use of accessory attachments not recommended by the appliance manufacturer may cause injuries.



### **CAUTION**

*Do not operate the pizza oven without the pizza stone in place.*

## **IMPORTANT SAFEGUARDS FOR ALL ELECTRICAL APPLIANCES**

- Unwind the cord fully before use.
- Do not let the cord hang over the edge of a table or counter, touch hot surfaces or become knotted.
- To protect against electric shock do not immerse the power cord, power plug or appliance in water or any other liquid.
- This appliance is not intended for use by persons (including children) with reduced physical, sensory or mental capabilities, or lack of experience and knowledge, unless they have been given supervision or instruction concerning use of the appliance by a person responsible for their safety.
- Children should be supervised to ensure that they do not play with the appliance.
- This appliance is for household use only. Do not use that appliance for anything other than its intended use. Do not use in moving vehicles or boats. Do not use outdoors. Misuse may cause injury.
- It is recommended to regularly inspect the appliance. Do not use the appliance if power supply cord, plug or appliance becomes damaged in any way. Immediately cease use and call Breville Consumer Service for examination, repair or adjustment.
- For any maintenance other than cleaning, visit [www.Breville.com](http://www.Breville.com) or call Breville Consumer Service.
- The installation of a residual current device (safety switch) is recommended to provide additional safety protection when using electrical appliances. It is advisable that a safety switch with a rated residual operating current not exceeding 30mA be installed in the electrical circuit supplying the appliance. See your electrician for professional advice.

**FOR HOUSEHOLD USE ONLY  
SAVE THESE INSTRUCTIONS**

- The Breville One-Year Limited Product Warranty excludes defects to the pizza stone caused by the product not being used in accordance with instructions, misuse, accidental damage or breakage.
- Any maintenance, other than cleaning, should be performed at an authorized Breville Service Center.
- This appliance is equipped with a power cord having a grounding wire with a grounding plug. The appliance must be grounded using a 3-hole properly grounded outlet. In the event of an electrical short circuit, grounding reduces the risk of electrical shock.
- If the power outlet is a standard 2-prong wall outlet, it is your personal responsibility and obligation to have it replaced with a properly grounded 3-prong wall outlet.
- Do not, under any circumstances, cut or remove the third (ground) prong from the power cord or use an adapter.
- Consult a qualified electrician if the grounding instructions are not completely understood, or if doubt exists as to whether the appliance is properly grounded.

### BREVILLE ASSIST™ PLUG

Your Breville appliance comes with a unique Assist™ Plug, conveniently designed with a finger hole in the power plug for easy and safe removal from the wall outlet. For safety reasons it is recommended you plug your Breville appliance directly into its own electrical outlet on a dedicated circuit separate from other appliances. If the electric circuit is overloaded with other appliances, your appliance may not function properly. Use in conjunction with a power strip or extension cord is not recommended.

### SHORT CORD INSTRUCTIONS

- Your Breville appliance is fitted with a short power supply cord as a safety precaution to prevent personal injury or property damage resulting from pulling, tripping or becoming entangled with a longer cord. Do not allow children to use or be near this appliance without close adult supervision. If an extension cord is used, (1) the marked electrical rating of the cord set or extension cord should be at least as great as the electrical rating of the appliance, (2) the cord should be arranged so that it will not drape over the countertop or tabletop where it can be pulled on by children or tripped over unintentionally and (3) the extension cord must include a 3-prong grounding plug.
- Longer detachable power-supply cords or extension cords are available and may be used if care is exercised in their use.



### WARNING

*The outer surface of the appliance becomes very hot when operating at high temperatures. Always wear insulated oven gloves when inserting, removing or handling items from the appliance when hot.*

### CALIFORNIA PROPOSITION 65:

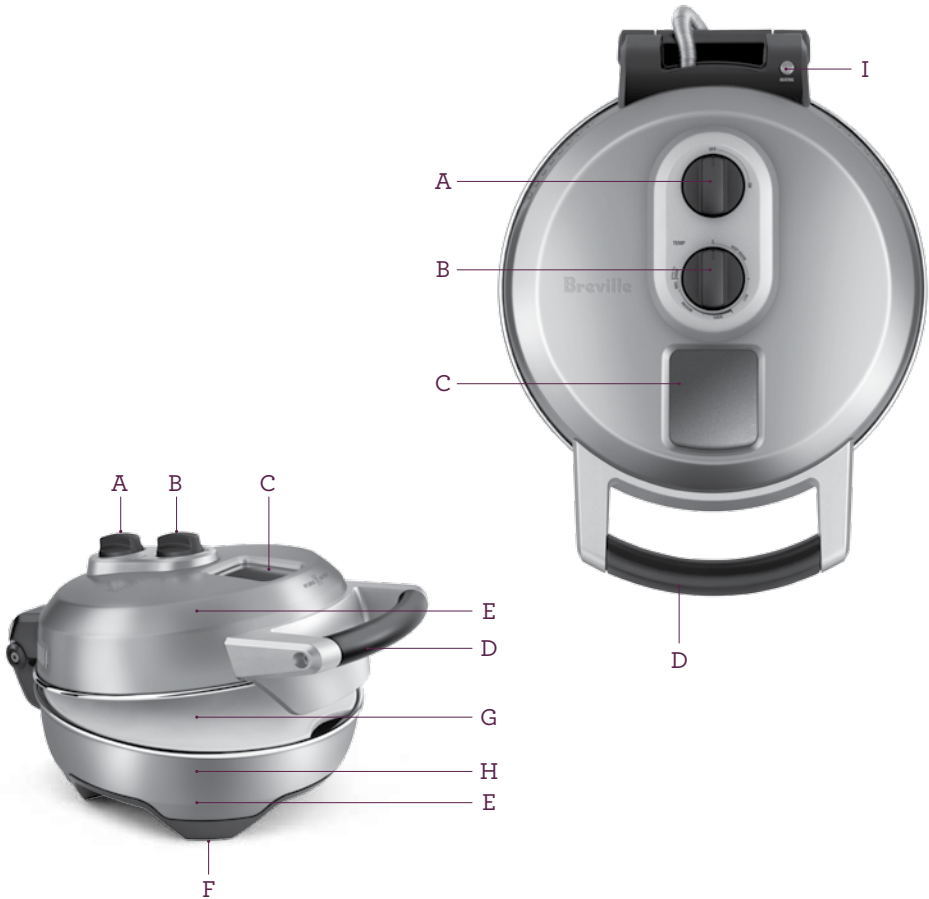
*(Applicable to California residents only).*

This product contains chemicals known to the State of California to cause cancer, birth defects or other reproductive harm.

# KNOW

your Breville product





- A. **ON/OFF switch**  
Switches pizza oven ON or OFF.
- B. **Variable temperature control**  
For thick to thin crust pizzas plus low heat and keep warm.
- C. **Viewing window**  
Monitor the cooking progress without having to open up the lid.
- D. **Cool touch handle**  
For safe and easy handling.
- E. **Top and bottom heating elements**  
Heats the pizza stone to a maximum of 660 °F to recreate the effects of a traditional brick oven.
- F. **Sturdy non slip feet**
- G. **Removable 12" pizza stone**  
Absorbs moisture and distributes heat evenly for a crispy crust.
- H. **1200 watts of power**  
Pizza cooks in as little as 10 minutes.
- I. **Heating indicator light**  
Tells you when the pizza oven is heating.

# OPERATING

your Breville product

### BEFORE FIRST USE

Before using the pizza oven for the first time, remove and safely discard any packaging material, promotional labels and ensure the power cord is unplugged.

Remove the pizza stone from the pizza oven and wipe with a soft, damp cloth. Dry thoroughly. Wipe the interior surfaces of the pizza oven with a soft, damp cloth. Dry thoroughly. Re-insert the pizza stone and close the lid.

There is no need to season the pizza stone before using it for the first time.

The stone will season itself over time with repetitive use.

Residue flour or semolina used to roll out the dough will be enough to prevent the pizza dough from sticking.

### THE PIZZA OVEN IS NOW READY TO USE

1. Insert the power plug into the power outlet. Turn the ON | OFF switch to ON position. When first switched on, the heating indicator light will illuminate to indicate that the pizza oven is in heating mode.
2. Preheat the pizza oven before use. To do this, set the variable temperature control to preheat setting.

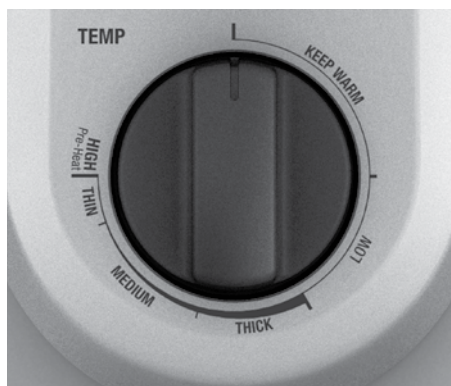
### CAUTION

*Do not operate the pizza oven without the pizza stone in place.*

### NOTE

When switched on for the first time, the pizza oven may give off vapors for a short period of time. This is due to the oil residue that may have been used in the manufacturing process. This is not detrimental to the performance of the pizza oven and will dissipate with use.

3. The heating indicator light will illuminate when the pizza oven is preheating. Recommend pre-heating for at least 30 minutes when first switched on.
4. Turn the variable temperature control to either THIN, MEDIUM or THICK crust range to suit your pizza preference. Temperature increases as selector dial is turned clockwise. When selecting MEDIUM or THICK crusts, allow pizza oven to stand for 5 minutes to adjust to selected heat setting before starting to cook.





### CAUTION

*Carefully open the lid using oven mitts. Do not lean or stand over the pizza oven when opening the lid as steam may be released.*

#### NOTE

The heating indicator light may turn on and off during operation. This is the automatic thermostat light indicating that the correct temperature is being maintained.

5. Place fresh pizza dough directly onto a floured pizza peel and roll out to desired thickness. Prick pizza dough evenly with a docker or a fork. Assemble ingredients onto pizza dough and transfer pizza onto pizza stone.

#### NOTE

If cooking a pre-purchased pizza, ensure that all packaging materials are removed before cooking. Some pre-purchased pizzas are packed on a sheet of paper or polystyrene which may stick to the dough of the pizza or to the pizza stone.

6. Carefully close the lid and cook to desired cooking time (see cooking table on page 14 for suggested cooking times). Use the viewing window to check on the cooking progress.
7. When the pizza is cooked to desired doneness, carefully open the lid using oven mitts. Do not lean or stand over the pizza oven when opening the lid as steam may be released.

8. Remove the pizza using a pizza peel or heat proof spatula.
9. To prevent smoking and burning, scrape off hot melted cheese and ingredients that may have fallen onto the stone after each pizza has been cooked.

#### NOTE

Never use a knife or pizza cutter on the stone as this could damage the fine-grain cooking surface. Remove the pizza from the stone prior to cutting.

#### NOTE

The pizza stone will darken in color with use. This is a normal part of the natural seasoning process. Scrape the pizza stone after each use.

### LOW SETTING

Ideal for reheating cold, previously cooked pizza slices and garlic bread. Also suitable to heat up flat breads such as tortillas.

Turn variable temperature control dial within the LOW range to engage this setting.

### KEEP WARM

Used to keep cooked pizzas warm when there is a delay in serving.

Turn variable temperature control dial within the KEEP WARM range to engage this setting.

### PIZZA PEEL OPTIONAL ALTERNATIVE

We recommend that the best method for transferring your pizza onto the pizza stone is with the use of a pizza peel. If you do not have a pizza peel or find it difficult to use, follow this optional alternative method.

1. Follow Operating Instructions 1-4.
2. Place fresh pizza dough directly onto a large square of parchment paper the size of the pizza stone and roll out to desired thickness. Prick pizza base evenly with a docker or a fork. Assemble ingredients onto the pizza base and transfer the pizza and parchment paper onto the pizza stone.

#### NOTE

Wax paper should not be used as a replacement for parchment paper.

3. Carefully close the lid and cook for 2 minutes; open lid, using oven mitts and gently slide parchment paper out, leaving the pizza inside the pizza oven. Close the lid again and cook to desired cooking time (see cooking table on page 14 for suggested cooking times).

#### NOTE

The parchment paper must be removed after 2 minutes of cook time. If the paper is left in, it could char and cause the oven to smoke.

4. Follow Operating Instructions 7-9 for the remainder of the cooking process.

# COOKING GUIDE

## COOKING GUIDE

The following table should be used as a guide only. It does not allow for individual tastes and preferences. The time may vary due to the size, shape and thickness of the pizza. As you become familiar with the pizza oven, adjust the cooking times and temperature on the variable temperature control accordingly.

TYPE OF PIZZA	TYPE OF DOUGH	TEMPERATURE SETTING	COOK TIME
Fresh pizza dough	Thin Crust (approx 6oz)	THIN CRUST SETTING	4–6 minutes
Fresh pizza dough	Medium Crust (approx 8oz)	MEDIUM CRUST SETTING	7–10 minutes
Fresh pizza dough	Thick crust (approx 10oz)	THICK CRUST SETTING	10–12 minutes
Frozen pizza	All types	THIN CRUST SETTING	6–10 minutes
Stored bought pre-made chilled pizza	All types	THIN CRUST SETTING	5–8 minutes
Non-chilled pre-made pizza dough	All types	MEDIUM CRUST SETTING	8–10 minutes
Wraps and flat breads	All types	MEDIUM CRUST SETTING	6–10 minutes

### NOTE

These times are based on the maximum temperature for each setting.

### **WARNING**

*Do not immerse power cord, pizza stone, power plug, or appliance into water or any other liquid. Do not use harsh abrasives, chemicals or oven cleaners to clean the pizza oven as this may scratch or damage the surface of the appliance.*

### **CAUTION**

*Do not operate the pizza oven without the pizza stone in place.*

# CARE, CLEANING AND STORAGE

your Breville product



### CLEANING AFTER USE

1. Always ensure the pizza oven ON|OFF switch is set to the OFF position and the power cord is unplugged prior to moving or cleaning.
2. While stone is still warm, scrape off any cheese or pizza ingredients that may have fallen onto the stone.
3. Allow the pizza oven to cool completely.

### CLEANING THE OUTER BODY

1. After each use, wipe the outer body with a soft, damp cloth and dry thoroughly. A non-abrasive liquid cleanser may be used to avoid build-up of food residue and stains.
2. Allow all parts and surfaces to dry thoroughly before plugging the pizza oven in and using.

### CLEANING THE INTERIOR

To clean any food splattering, wipe the interior with a soft cloth dampened with warm water. Dry thoroughly.

### CLEANING THE VIEWING WINDOW AND REAR VENT AREA

Viewing window and rear vent area will darken from cooking vapors with ongoing use.

To clean, make a paste from 2 teaspoons baking soda, 1 teaspoon white vinegar and 1 teaspoon of water.

Rub paste onto viewing window or rear vent area and wipe clean with a damp cloth.

### IMPORTANT

It is important to do this process regularly and always once the pizza oven has completely cooled.

### CARE AND CLEANING THE PIZZA STONE

Pizza stones are porous and will absorb fats and oils. It is normal for pizza stones to accumulate stains from dripping cheese and fatty toppings. This will not affect the taste of the pizza or the performance of the stone, however, cooking residue may create excess smoke and odor to form.

To remove stains, cool stone completely and follow instructions below:

1. Small stains can be cleaned easily by scrubbing with a toothbrush and a paste made from equal parts of baking soda and water. Work in small circles until stains are removed. Wipe clean with a damp cloth and dry completely before reusing.
2. To remove burnt on food, use a scouring pad lightly over stubborn areas.
3. If the accumulation is heavy, use a hard abrasive paper like sand paper to clean the surface.
4. Make sure to wipe the stone clean with a damp cloth and allow plenty of time for the stone to dry out completely before use.

### NOTE

Do not immerse the pizza stone in water or use cleaning liquids or detergents. Immersing the pizza stone in water could cause it to crack. Cleaning liquids or detergents will absorb into the stone and transfer to the pizza during baking.

## CARE, CLEANING AND STORAGE

### NOTE

For a deep clean, prepare a paste by mixing  $\frac{1}{4}$  cup of baking soda with 3 tablespoons of water. Apply the paste to the desired areas of the pizza stone and leave for 15–20 minutes. Scrape off excess paste and food from the surface of the pizza stone. Using a damp cloth, wipe off excess food, and dry thoroughly. Do not reverse pizza stone to cook on the clean side if it becomes stained or discolored.

### STORAGE

When storing the pizza oven, remove the power plug from the power outlet. Ensure the appliance is completely cool, clean and dry. Ensure the lid is closed and do not place any objects on top. Store the appliance standing on its support legs.

# TROUBLESHOOTING

## TROUBLESHOOTING

POSSIBLE PROBLEM	SOLUTION / CHECK
Unit does not switch on	Make sure the power plug is plugged into the outlet. Rotate the on and off dial to "ON" position.
Unit does not heat up to desired temperature level	Check to make sure the temperature set dial is correctly positioned. If not hot enough, adjust the temperature dial to hotter setting.
Heating light does not stay on	Heating light will turn on and off during normal usage. Heating light will only turn on when the unit is in heating cycle.
Pizza sticks to pizza peel	Ensure that enough flour has been added to the pizza peel to allow the pizza to slide off. Do not add too much sauce or ingredients. Heavy pizza's will be difficult to slide off of the peel.

# RECIPES

## PIZZA DOUGH

Makes 4 twelve inches pizzas

### INGREDIENTS

15 oz 00 (strong bakers) flour or plain flour  
 1 tablespoon dry yeast  
 1 tablespoon sugar  
 2 teaspoons salt  
 1 tablespoon olive oil  
 9 fl oz lukewarm water

### METHOD

1. Place flour into a large mixing bowl and make a well in the center.
2. Add yeast, sugar, salt, olive oil and water and stir until combined.
3. Turn out onto a lightly floured surface and knead for 5-10 minutes or until a smooth ball forms.
4. Place dough ball into a lightly oiled bowl, cover with plastic wrap or clean cloth. Set aside in a warm drought free place for 30 minutes or until dough has doubled in size.
5. Turn dough out on a floured surface and knock back (punch) the dough to remove excess air, lightly knead.
6. Divide dough as required.

## PIZZA BIANCO

Makes 4 serves

### INGREDIENTS

6 oz fresh pizza dough  
 1/3 cup fresh ricotta, crumbled  
 1/4 cup grated mozzarella cheese  
 1/4 cup grated provolone cheese  
 2 tablespoons grated Parmigian  
 1 garlic clove, finely sliced  
 1 teaspoon finely chopped fresh rosemary  
 Sea salt to taste

### METHOD

1. Turn the ON/OFF switch to the ON position.
2. Preheat pizza oven on PRE-HEAT setting for 20-30 minutes.
3. Roll out pizza dough to form a 9½ inch disc and place onto a floured pizza peel.
4. Prick dough with a fork or pizza docker
5. Spread dough with ricotta, mozzarella, provolone and parmesan. Sprinkle over garlic and rosemary.
6. Select THIN crust setting.
7. Transfer pizza onto pizza stone and close lid.
8. Cook pizza for 6-8 minutes or until cooked to your liking.
9. Monitor cooking progress through viewing window. Topping should be melted and golden and dough crisp and brown.
10. Open lid carefully with oven mitt and remove pizza onto a cutting board.

*Season with sea salt and cut into 8 wedges.  
 Serve immediately.*

## MEXICAN PIZZA

Makes 4 serves

### INGREDIENTS

10 oz fresh pizza dough  
 2 tablespoons medium tomato salsa  
 ¼ cup grated mozzarella  
 ½ cup grated cheddar cheese  
 1 chorizo (2 oz), thinly sliced  
 2 tablespoons canned black beans, rinsed and drained  
 2 tablespoons chopped cilantro sprigs  
 ½ avocado, sliced  
 2 tablespoons crème fraiche  
 Jalapenos and lime wedges to serve

### METHOD

1. Turn the ON/OFF switch to the ON position.
2. Preheat pizza oven on PRE-HEAT setting for 20–30 minutes.
3. Roll out pizza dough to form a 9½ inch disc and place onto a floured pizza peel.
4. Prick dough with a fork or pizza docker
5. Spread dough with salsa and top with mozzarella, cheddar cheese, chorizo and beans.
6. Select THICK crust setting.
7. Transfer pizza onto pizza stone and close lid.
8. Cook pizza for 12–14 minutes or until cooked to your liking.
9. Monitor cooking progress through viewing window. Topping should be melted and golden and dough crisp and brown.
10. Open lid carefully with oven mitt and remove pizza onto a cutting board.
11. Sprinkle over cilantro and avocado. Spoon a large dollop of crème fraiche into the center of the pizza.

*Cut into 8 wedges and serve immediately with jalapenos and lime wedges.*

### NOTE

**Cooking times are based on the maximum for each crust setting.**

## SPICY LAMB PIZZA

Makes 4 serves

### INGREDIENTS

#### Pizza paste

3 oz roasted red peppers, chopped  
 1 large red chili, chopped  
 1 tablespoon olive oil  
 Sea salt, to season

#### Spice rub

1 clove garlic, crushed  
 1 teaspoon ground cumin  
 1 teaspoon ground coriander  
 ½ teaspoon smoked paprika  
 ½ teaspoon sea salt  
 1 tablespoon oil  
 5 oz lamb fillet, trimmed  
 6 oz fresh pizza dough  
 3 cherry tomatoes, halved  
 1 tablespoon pine nuts  
 3½ oz haloumi cheese, shredded  
 3 tablespoons Greek-style yogurt  
 1 garlic clove, crushed  
 Lemon juice, to taste  
 Sea salt, to season  
 Fresh mint leaves

### METHOD

1. Turn the ON/OFF switch to the ON position.
2. Preheat pizza oven on PRE-HEAT setting for 20–30 minutes.
3. In the meantime combine peppers, chili and the oil in a food processor or blender and process until smooth; season and set aside.
4. Combine garlic and spices. Coat lamb in spice rub.
5. In a pan, heat oil and cook lamb on each side for 1 minute. Remove from heat but keep in the pan and cover with foil to rest.
6. Roll out pizza dough to form a 9½ inch disc and place onto a floured pizza peel.
7. Prick dough with a fork or pizza docker.
8. Spread dough with 2 ½ tablespoons pureed peppers and top with tomatoes, pine nuts and haloumi.
9. Select THIN crust setting.
10. Transfer pizza onto pizza stone and close lid.
11. Cook pizza for 6–8 minutes or until cooked to your liking.
12. Monitor cooking progress through viewing window. Topping should be melted and golden and dough crisp and brown.
13. Open lid carefully with oven mitt and remove pizza onto a cutting board. Combine yoghurt, garlic and season with lemon juice and salt.
14. Slice lamb thinly and put onto pizza. Add dollops of yoghurt and sprinkle with mint.

*Cut into 8 wedges and serve immediately.*

### NOTE

Use leftover pepper puree for another pizza or add to Bolognese sauce.

### NOTE

Adjust dial selector within each crust setting range to suit your cooked pizza preference.



## ITALIAN MEATBALL PIZZA

Makes 4 serves

### INGREDIENTS

#### Meatballs (makes 24)

- 7 oz pork and veal mince
- ¼ cup dry breadcrumbs
- 1 teaspoon fennel seeds
- 2 tablespoons grated Parmigian
- 1 clove garlic, crushed
- 1 small egg
- Freshly ground black pepper

#### Pizza

- 10 oz fresh pizza dough
- ¼ cup pizza sauce
- ⅓ cup cheddar cheese
- 1 tablespoon chopped parsley
- 4 cherry tomatoes, halved
- 10 pitted black olives
- 1 teaspoon baby capers, drained

### METHOD

1. Combine meatball ingredients and mix well. Roll heaped teaspoons of mixture into balls and cook in a hot pan for 2-3 minutes or until browned but not cooked through; set aside.
2. Turn the ON/OFF switch to the ON position.
3. Preheat pizza oven on PRE-HEAT setting for 20-30 minutes.
4. Roll out pizza dough to form 9 inch disc and place onto a floured pizza peel.
5. Prick dough with a fork or pizza docker.
6. Spread dough with pizza sauce and top with cheese, parsley, tomatoes, olives and capers.
7. Arrange meatballs over the top of the pizza and press down a little.
8. Select THICK crust setting.
9. Transfer pizza onto pizza stone and close lid.
10. Cook pizza for 12-15 minutes or until cooked to your liking.
11. Monitor cooking progress through viewing window. Topping should be melted and golden and dough crisp and brown.
12. Open lid carefully with oven mitt and remove pizza onto a cutting board.

*Cut into 8 wedges and serve immediately.*

### NOTE

You'll only need 12 meatballs for one pizza. The other half can be used for a second pizza, or frozen until needed.

## BREAKFAST PIZZA

Makes 4 serves

### INGREDIENTS

8 oz fresh pizza dough  
 2 tablespoons tomato puree  
 ½ cup pizza cheese  
 4 bacon strips, trimmed and chopped  
 3 oz roasted peppers, drained, cut into strips  
 1 egg  
 Sea salt  
 Fresh oregano leaves to garnish

### METHOD

1. Turn the ON/OFF switch to the ON position.
2. Preheat pizza oven on PRE-HEAT setting for 20–30 minutes.
3. Roll out pizza dough to form a 9 inch disc and place onto a floured pizza peel.
4. Prick dough with a fork or pizza docker.
5. Spread dough with puree and top with cheese, bacon.
6. Make an indentation in the center of the pizza for the egg to fit in. Lay half of the pepper strips around the indentation to keep the egg white in place.
7. Select MEDIUM crust setting.
8. Transfer pizza onto pizza stone and close lid. Cook for 4 minutes.
9. Open lid and carefully crack egg into the center indentation. Close lid and cook for 7–10 minutes or until cooked to your preference.
10. Monitor cooking progress through viewing window. Topping should be melted and golden and dough crisp and brown.
11. Open lid carefully with oven mitt and remove pizza onto a cutting board. Season with sea salt and sprinkle with oregano.

*Cut into 8 wedges and serve immediately.*

# FÉLICITATIONS

pour l'achat de votre produit Breville

Inscrivez-vous en ligne pour le soutien technique et les offres exclusives.\*

Consommateurs américains: [www.brevilleusa.com](http://www.brevilleusa.com)

Consommateurs canadiens: [www.breville.ca](http://www.breville.ca)

\*L'enregistrement n'est pas un substitut à la preuve d'achat lorsque vous soumettez une réclamation de garantie.

- 28** Breville vous recommande la sécurité avant tout
- 32** Faites la connaissance de votre produit Breville
- 34** Fonctionnement de votre produit Breville
- 38** Guide de cuisson
- 40** Entretien, nettoyage et rangement
- 43** Guide de dépannage
- 45** Recettes

Chez Breville, la sécurité occupe une place de choix. Nous concevons et fabriquons des produits destinés aux consommateurs sans jamais perdre de vue la sécurité de notre précieuse clientèle. De plus, nous vous demandons d'être très vigilant lorsque vous utilisez un appareil électrique et de respecter les mesures de sécurité suivantes:

## **IMPORTANTES MESURES DE SÉCURITÉ**



### **LISEZ TOUTES LES INSTRUCTIONS AVANT L'USAGE ET CONSERVEZ-LES POUR RÉFÉRENCE FUTURE**

- Retirez et disposez de tout matériel d'emballage et étiquettes promotionnelles avant d'utiliser l'appareil pour la première fois.
- Afin d'éliminer le risque de suffocation chez les jeunes enfants, retirez et jetez l'enveloppe protectrice recouvrant la fiche de l'appareil.
- Ne placez pas l'appareil sur le bord d'une table ou d'un comptoir durant l'usage. Assurez-vous que la surface de travail est de niveau, propre et asséchée.
- Ne placez pas l'appareil sur ou près d'un élément chauffant au gaz ou électrique, ou là où il pourrait toucher un four chaud.
- Gardez une distance d'au moins 20 cm (8 po) entre l'appareil et les murs, les rideaux, les vêtements ou tout autre matériau sensible à la chaleur.
- Faites toujours fonctionner l'appareil sur une surface stable et résistante à la chaleur. Ne l'utilisez pas sur une surface recouverte d'une nappe, près des rideaux et d'autres matériaux inflammables, ni sur une surface métallisée comme l'égouttoir d'un évier.
- Lorsque vous utilisez l'appareil, gardez le cordon d'alimentation loin de toute source de chaleur, y compris la surface de l'appareil, et évitez qu'il ne se coince entre le couvercle et la base de l'appareil.
- L'appareil doit être correctement assemblé avant l'usage. Suivez les directives contenues dans ce livret.
- Cet appareil n'est pas conçu pour fonctionner à partir d'une minuterie externe ou d'un système de commande à distance.
- Lorsque vous utilisez l'appareil, branchez-le dans une prise murale individuelle séparée des autres appareils, et n'utilisez pas d'adaptateur ou tout autre objet similaire.
- Ne mettez pas de carton, de plastique, de papier ou tout autre matériau inflammable près ou dans l'appareil.
- Les parois externes de l'appareil deviennent très chaudes lorsque la température est élevée. Utilisez toujours des gants de cuisine ou des maniques lorsque vous déposez, retirez ou manipulez des items dans le four à pizza lorsqu'il est très chaud. Sinon, laissez le four refroidir auparavant.
- Ne vous penchez pas au-dessus de l'appareil lorsque vous ouvrez le couvercle, car de la vapeur peut s'en échapper.
- Ne mettez aucun objet sur le dessus de l'appareil.
- Ne laissez pas le couvercle ouvert durant une période de temps prolongée.
- Ne mettez pas les mains à l'intérieur de l'appareil lorsqu'il est en marche.
- Ne mettez pas d'aliments surdimensionnés dans le four, car un risque d'incendie peut s'ensuivre.

- Utilisez un côté seulement de la pierre à pizza. Ne soyez pas tenté de l'inverser pour la cuisson, même si le côté utilisé est taché ou décoloré.
- Ne rangez rien d'autre que les accessoires fournis dans le four à pizza lorsqu'il n'est pas en usage.
- Ne tentez pas d'utiliser le four à pizza d'autre façon que celles décrites dans ce livret et ne le laissez pas sans surveillance lorsqu'il est utilisé.
- Assurez-vous que l'appareil est bien refroidi et débranché avant de le déplacer, le démonter, le nettoyer ou le ranger, ou s'il n'est pas utilisé.
- Pour vous protéger contre le risque de choc électrique, n'immergez pas le four à pizza, le cordon d'alimentation ou la fiche électrique dans l'eau ou tout autre liquide.
- Gardez l'appareil propre. Suivez les consignes de nettoyage de ce livret.
- Soyez très prudent lorsque vous cuisez des aliments à forte teneur en huile, comme les noix, noix de pin ou fromage. Faire griller ces aliments, les cuire longtemps ou à forte température peut causer un risque d'incendie.
- Dans le cas où les aliments s'enflammeraient dans le four à pizza, gardez le couvercle fermé et débranchez l'appareil. Attendez que le feu s'éteigne avant d'ouvrir le couvercle de l'appareil.
- Ne touchez pas les surfaces chaudes de l'appareil. Utilisez les poignées ou les boutons.
- L'utilisation d'accessoires non recommandés par le fabricant peut causer des blessures.



### **ATTENTION**

*N'utilisez jamais le four à pizza sans la pierre à pizza à l'intérieur.*

## **IMPORTANTES MESURES DE SÉCURITÉ POUR TOUT APPAREIL ÉLECTRIQUE**

- Dérivez complètement le cordon d'alimentation avant l'usage.
- Ne laissez pas le cordon d'alimentation pendre d'une table ou d'un comptoir, toucher des surfaces chaudes ou se nouer.
- Pour vous protéger contre les décharges électriques, n'immergez pas le cordon d'alimentation, la fiche électrique ou l'appareil dans l'eau ou tout autre liquide.
- Cet appareil ne doit pas être utilisé par des personnes, incluant les enfants, avec facultés physiques, sensorielles ou mentales réduites, ou manque d'expérience ou de connaissance du produit, à moins d'avoir reçu les instructions nécessaires pour utiliser l'appareil d'une personne responsable de leur sécurité.
- Surveillez les enfants pour qu'ils ne jouent pas avec l'appareil.
- Cet appareil est conçu pour un usage domestique seulement. Ne l'utilisez pas à d'autres fins que celles prévues, ni dans un bateau ou un véhicule en mouvement ni à l'extérieur. Une mauvaise utilisation peut causer des blessures.
- Nous vous recommandons de vérifier régulièrement l'appareil. Ne l'utilisez pas si le cordon d'alimentation, la fiche ou l'appareil lui-même sont endommagés de quelque façon que ce soit. Cessez immédiatement l'utilisation et communiquez avec le Service aux consommateurs de Breville pour le faire examiner, réparer ou ajuster.
- Pour tout entretien autre que le nettoyage, visitez [www.Breville.com](http://www.Breville.com) ou appelez le Service aux consommateurs de Breville.

- L'installation d'un dispositif de courant résiduel (interrupteur de sécurité) est recommandée pour assurer une sécurité additionnelle lorsque vous utilisez un appareil électrique. Il est indiqué d'installer un interrupteur de sécurité avec courant résiduel de fonctionnement nominal d'au plus 30mA sur le circuit électrique alimentant l'appareil. Pour être bien conseillé, consultez un électricien qualifié.
- La garantie limitée d'un an du produit Breville exclut les dommages causés à la pierre à pizza par une utilisation non conforme aux instructions, une utilisation abusive, des dommages accidentels ou un bris.
- Tout entretien autre que le nettoyage doit se faire dans un Centre de service autorisé Breville.
- Si l'appareil est muni d'un cordon d'alimentation muni d'un fil relié à la terre et d'une fiche reliée à la terre. L'appareil doit être branché dans une prise électrique à trois alvéoles correctement reliée à la terre. Si un court circuit se produit, la mise à la terre réduit les risques de choc électrique.
- Si la prise murale est standard à 2 alvéoles, il est de votre responsabilité et obligation de la remplacer par une prise murale à 3 alvéoles correctement reliée à la terre.
- Ne tentez en aucune circonstance de couper ou de retirer la troisième broche (mise à la terre) du cordon d'alimentation ou d'utiliser un adaptateur.
- Consultez un électricien qualifié si vous ne comprenez pas parfaitement les instructions de mise à la terre ou si un doute persiste quant à la mise à la terre adéquate de l'appareil.

### FICHE ASSIST<sup>MC</sup> DE BREVILLE

Votre appareil Breville est muni d'une fiche exclusive AssistMC conçue de façon à laisser passer un doigt pour un retrait facile et sécuritaire de la fiche. Par mesure de sécurité, il est conseillé de brancher l'appareil directement dans une prise individuelle d'un circuit électrique séparé des autres appareils. Une surcharge électrique peut altérer le bon fonctionnement de l'appareil. Il est déconseillé d'utiliser une barre d'alimentation ou une corde de rallonge.

### COURT CORDON D'ALIMENTATION

Votre appareil Breville est muni d'un court cordon d'alimentation très sécuritaire qui réduit le risque de blessures corporelles ou de dommages pouvant être causés par le fait de tirer, trébucher ou s'enchevêtrer dans le cordon. Ne laissez pas les enfants utiliser ou être à proximité de l'appareil sans surveillance d'un adulte. Des cordons d'alimentation détachables ou des cordes de rallonge sont disponibles et peuvent être utilisés avec précaution. Si vous utilisez une corde de rallonge: (1) sa capacité électrique doit être au moins équivalente à la capacité électrique de l'appareil; (2) la corde ne doit pas pendre d'un comptoir ou d'une table où de jeunes enfants pourraient involontairement s'y suspendre ou trébucher; (3) la corde de rallonge doit être munie d'une fiche à trois broches reliée à la terre.



## **ATTENTION**

*La surface externe de l'appareil devient très chaude lorsqu'il fonctionne à une température élevée. Utilisez toujours des gants de cuisine ou des maniques pour déposer, retirer ou manipuler des items du four à pizza quand il est très chaud.*

## **PROPOSITION 65 DE LA CALIFORNIE:**

*(Applicable aux résidents de la Californie seulement).*

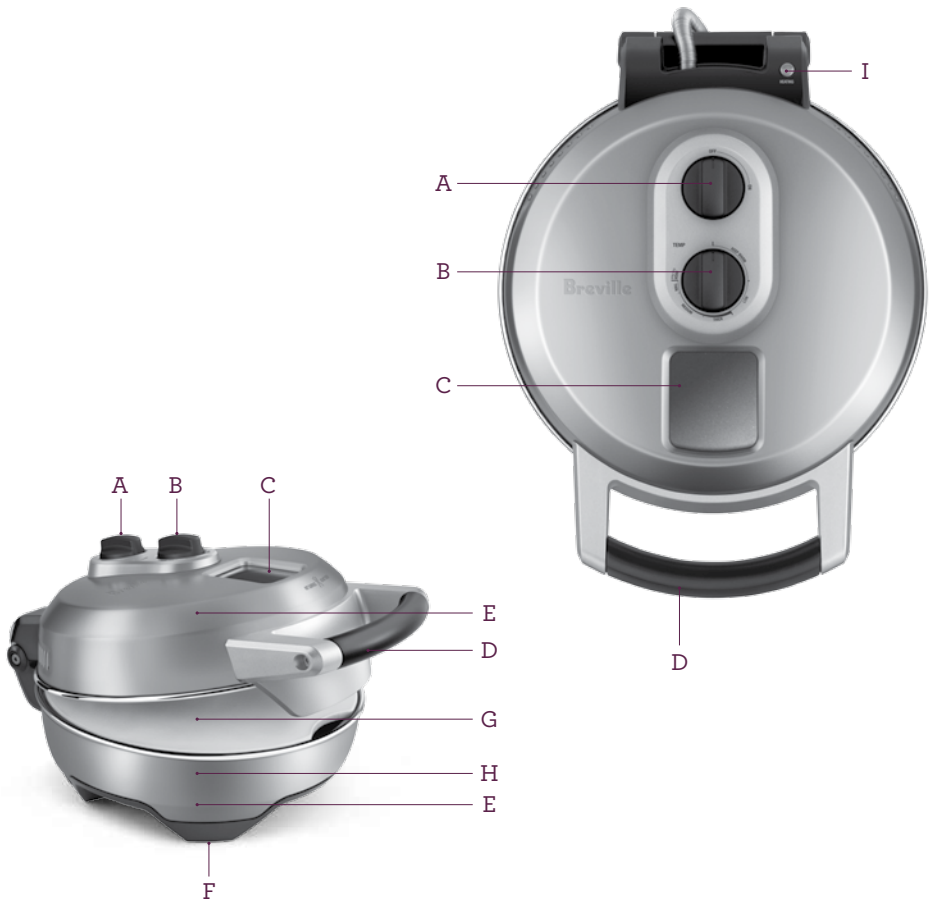
Cet appareil contient des produits chimiques connus de l'État de la Californie comme pouvant causer le cancer, des malformations congénitales ou autres problèmes de reproduction.

**USAGE DOMESTIQUE SEULEMENT  
CONSERVEZ CES INSTRUCTIONS**



# FAITES LA CONNAISSANCE

de votre produit Breville



- A. **Interrupteur marche/arrêt**  
Pour allumer ou éteindre le four à pizza.
- B. **Sélecteur de température variable**  
Pour une croûte mince ou épaisse, une température plus basse ou un maintien au chaud.
- C. **Hublot de contrôle**  
Pour suivre la progression de cuisson sans avoir à ouvrir le couvercle.
- D. **Poignées calorifuges**  
Pour une manipulation facile et sécuritaire.
- E. **Éléments supérieur et inférieur**  
Chauffent le four jusqu'à 300°C, recréant l'authentique cuisson d'un four à bois.
- F. **Pieds robustes antidérapants**
- G. **Pierre à pizza amovible de 30cm**  
Absorbe l'humidité et distribue uniformément la chaleur, pour une croûte croustillante.
- H. **Puissance de 1200 watts**  
La pizza cuit en aussi peu de 10 minutes.
- I. **Indicateur de chauffage**  
Vous indique quand le four à pizza est prêt à être utilisé.

# FONCTIONNEMENT

de votre produit Breville

### AVANT LA PREMIÈRE UTILISATION

Avant d'utiliser le four à pizza pour la première fois, retirez et disposez de tout matériel d'emballage et étiquettes promotionnelles et assurez-vous que l'appareil n'est pas branché.

Retirez la pierre à pizza du four et essuyez-la avec un chiffon doux et humide, puis séchez correctement. Faites de même pour les parois internes du four. Remettez la pierre à pizza en place et refermez le couvercle.

Il n'est pas nécessaire de faire sécher la pierre à pizza avant de l'utiliser pour la première fois. Un usage normal s'en chargera.

La farine utilisée pour abaisser la pâte sera suffisante pour l'empêcher de coller.

### LE FOUR À PIZZA EST MAINTENANT PRÊT À ÊTRE UTILISÉ

1. Branchez l'appareil et mettez-le en marche en tournant l'interrupteur à la position 'ON'. Lors de la première mise sous tension, le voyant de chauffage s'allumera pour indiquer que le four à pizza est en mode de chauffage.
2. Préchauffez la pierre à pizza avant l'usage. Pour ce faire, réglez le sélecteur de température variable à PREHEAT (préchauffage).



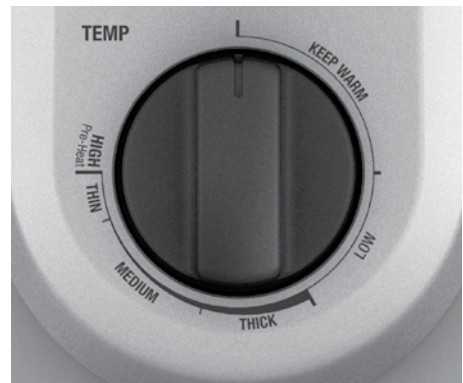
### ATTENTION

*N'utilisez jamais le four à pizza sans la pierre à pizza à l'intérieur.*

### NOTE

De la vapeur peut s'émaner brièvement du four à pizza lorsqu'il est mis sous tension pour la première fois, en raison des résidus d'huile de fabrication. Cela n'altérera en rien le rendement du four et se dissipera à l'usage.

3. L'indicateur s'illuminera durant le préchauffage du four à pizza. Il est recommandé de préchauffer le four au moins 30 minutes avant la première utilisation.
4. Réglez le sélecteur de température variable à THIN (crouste mince), MEDIUM (crouste moyenne) ou THICK (crouste épaisse), selon vos goûts. La température augmente à mesure que vous tournez le sélecteur en sens horaire. Pour une crouste moyenne (MEDIUM) ou épaisse (THICK), attendez 5 minutes avant de débiter la cuisson pour laisser au four le temps d'atteindre la température sélectionnée.



### **ATTENTION**

*Ouvrez délicatement le couvercle en utilisant des gants de cuisine. Ne vous penchez pas au-dessus du four à pizza lorsque le couvercle est ouvert, car de la vapeur peut s'en émaner.*

#### NOTE

L'indicateur de chauffage peut s'allumer et s'éteindre par intermittence en cours d'utilisation. Cela indique que la température requise est maintenue par le thermostat automatique.

5. Déposez la pâte à pizza fraîche sur une pelle à pizza farinée et abaissez-la jusqu'à l'épaisseur désirée. Perforez la pâte à la fourchette et garnissez des ingrédients requis. Transférez le tout sur la pierre à pizza.

#### NOTE

Si vous faites cuire une pizza achetée, assurez-vous d'avoir retiré tout le matériel d'emballage avant la cuisson. Certaines pizzas préparées sont emballées avec une feuille de papier ou de polystyrène qui peut coller à la croute ou à la pierre à pizza durant la cuisson.

6. Fermez délicatement le couvercle et cuire le temps désiré (voir les suggestions de temps de cuisson au tableau de la page 36). Vérifiez la progression de la cuisson par le hublot de contrôle.

7. Lorsque la pizza sera cuite à votre goût, ouvrez délicatement le couvercle en utilisant des gants de cuisine. Ne vous penchez pas au-dessus du four lorsque vous ouvrez le couvercle, car de la vapeur peut s'en émaner.
8. Retirez la pizza en utilisant une pelle à pizza ou une spatule résistante à la chaleur.
9. Raclez les résidus de fromage fondu ou autres ingrédients qui seraient tombés sur la pierre après la cuisson, afin d'empêcher qu'ils brûlent ou génèrent de la fumée.

#### NOTE

N'utilisez jamais de couteau ou de coupe-pizza sur la pierre, car cela pourrait endommager la surface à grains fins. Retirez la pizza de la pierre avant de la couper.

#### NOTE

La couleur de la pierre à pizza foncera à l'usage. Cela fait partie du processus de séchage naturel. Raclez la pierre à pizza après chaque usage.

### SOLUTION DE REMPLACEMENT POUR LA PELLE À PIZZA

Nous sommes d'avis que la meilleure façon de transférer la pizza sur la pierre à pizza est en utilisant une pelle à pizza. Cependant, si vous ne disposez pas de pelle à pizza ou semblez avoir de la difficulté à l'utiliser, nous vous suggérons la méthode suivante:

1. Suivez les étapes de fonctionnement 1-4.
2. Déposez la pâte à pizza fraîche directement sur un grand carré de papier parchemin de la taille de la pierre à pizza et abaissez-la jusqu'à l'épaisseur désirée. Perforez la pâte à la fourchette et garnissez des ingrédients requis. Transférez la pizza et le papier sur la pierre à pizza.

#### NOTE

Ne remplacez pas le papier-parchemin par du papier ciré.

3. Fermez le couvercle et faites cuire 2 minutes. Ouvrez le couvercle en utilisant des gants de cuisine et retirez délicatement le papier-parchemin en le glissant sous la croute, pour ne laisser que la pizza dans le four. Refermez le couvercle et poursuivez la cuisson le temps désiré (voir les suggestions de temps de cuisson au tableau de la page 36).

#### NOTE

Le papier-parchemin doit être retiré au bout de 2 minutes de cuisson, sinon il pourrait carboniser et causer une émanation de fumée.

4. Poursuivez la cuisson en suivant les étapes de fonctionnement 7-9.

### RÉGLAGE À BASSE TEMPÉRATURE

Idéal pour réchauffer les pointes de pizza refroidies ou le pain à l'ail, ce réglage convient également à réchauffer les pains plats comme les tortillas.

Tournez le cadran de contrôle de température variable à l'intérieur de la zone LOW pour activer le réglage.

### MAINTIEN AU CHAUD

Utilisez ce réglage pour maintenir la température de la pizza avant de la servir.

Tournez le cadran de contrôle de température variable à l'intérieur de la zone KEEP WARM pour activer ce réglage.

# GUIDE DE CUISSON

## GUIDE DE CUISSON

Le tableau ci-dessous doit être utilisé à titre indicatif seulement, laissant libre cours à vos choix personnels. Le temps de cuisson peut varier selon le format, la forme et l'épaisseur de la pizza. Vous réglez le cadran de contrôle de température variable au fur et à mesure de l'utilisation que vous faites du four à pizza.

TYPE DE PIZZA	TYPE DE CROUTE	RÉGLAGE DE TEMPÉRATURE	TEMPS DE CUISSON
Pâte à pizza fraîche	Croute mince (environ 6 oz)	THIN (croute mince)	4-6 minutes
Pâte à pizza fraîche	Croute moyenne (environ 8 oz)	MEDIUM (croute moyenne)	7-10 minutes
Pâte à pizza fraîche	Croute épaisse (environ 10 oz)	THICK (croute épaisse)	10-12 minutes
Pizza congelée	Tous les types	THIN (croute mince)	6-10 minutes
Pizza achetée, réfrigérée	Tous les types	THIN (croute mince)	5-8 minutes
Croute déjà prête, non réfrigérée	Tous les types	MEDIUM (croute moyenne)	8-10 minutes
Pain plat et pita	Tous les types	MEDIUM (croute moyenne)	6-10 minutes

### NOTE

Ces temps de cuisson sont basés sur la température maximale de chaque réglage.

### ATTENTION

*N'immergez pas le cordon d'alimentation, la pierre à pizza, la fiche électrique ou l'appareil dans l'eau ou tout autre liquide. N'utilisez pas de nettoyeurs abrasifs, chimiques ou pour le four lorsque vous nettoyez le four à pizza, car ces produits peuvent égratigner ou endommager la surface de l'appareil.*

### ATTENTION

*N'utilisez jamais le four à pizza sans la pierre à pizza à l'intérieur.*



# ENTRETIEN, NETTOYAGE ET RANGEMENT

de votre produit Breville

### NETTOYAGE APRÈS USAGE

1. Assurez-vous que le l'interrupteur est réglé à la position d'arrêt (OFF) et que l'appareil est débranché avant de le déplacer ou de le nettoyer.
2. Pendant que la pierre est encore chaude, raclez les résidus de fromage ou d'ingrédients laissés sur la pierre après la cuisson.
3. Laissez le four à pizza refroidir complètement.

### NETTOYAGE DU BOÎTIER

1. Après chaque usage, essuyez le boîtier avec un chiffon doux et humide et séchez soigneusement. L'utilisation d'un nettoyant liquide non abrasif préviendra l'accumulation de résidus alimentaires ou de taches.
2. Laissez sécher correctement toutes les pièces et surfaces avant de brancher le four à pizza et de l'utiliser.

### NETTOYAGE DES PAROIS INTERNES

Pour éliminer les éclaboussures, essuyez l'intérieur du four avec un chiffon doux humecté d'eau chaude. Séchez correctement.

### NETTOYAGE DU HUBLOT DE CONTRÔLE

La vapeur de cuisson peut à la longue noircir le hublot de contrôle.

Pour supprimer la saleté accumulée, faites une pâte avec 2 c. à thé de bicarbonate de soude, 1 c. à thé de vinaigre blanc et 1 c. à thé d'eau.

Frottez le hublot avec cette pâte et essuyez-le avec un chiffon humide.

### IMPORTANT

Il est important de faire ce nettoyage régulièrement mais seulement quand le four à pizza est refroidi complètement.

### ENTRETIEN ET NETTOYAGE DE LA PIERRE À PIZZA

Les pierres à pizza sont poreuses et absorbent les gras et l'huile. Il est donc normal que les taches de fromage ou de gras s'y accumulent. Cela n'affectera en rien le goût de la pizza ou le rendement du four. Cependant, les résidus de cuisson peuvent générer de la fumée et des odeurs.

Pour éliminer les taches, après que la pierre aura complètement refroidi, suivez les instructions suivantes:

1. Les taches bénignes s'élimineront facilement à l'aide d'une brosse à dents et d'une pâte faite à parts égales de bicarbonate de soude et d'eau. Frottez en mouvements circulaires jusqu'à ce que les taches disparaissent. Essuyez avec un chiffon humide et séchez complètement avant de réutiliser.
2. Pour éliminer les résidus de cuisson, frottez délicatement les taches rebelles avec un tampon à récurer.
3. Si l'accumulation persiste, frottez délicatement la surface avec un papier abrasif (papier sablé).
4. Essuyez bien la pierre à pizza avec un chiffon humide et laissez-la sécher complètement avant de la réutiliser.

### NOTE

N'immergez pas la pierre à pizza dans l'eau et n'utilisez pas de nettoyants liquides ou détergents. Le fait de plonger la pierre à pizza dans l'eau pourrait la faire craquer. Les nettoyants liquides ou détergents seront absorbés par la pierre et transférés à la pizza durant la cuisson.

### NOTE

Pour un nettoyage en profondeur, préparez une pâte faite de  $\frac{1}{8}$  tasse de bicarbonate de soude et de 3 c. à soupe d'eau. Appliquez cette pâte là où c'est nécessaire et laissez reposer 15-20 minutes avant de gratter l'excédent de pâte ou d'aliments laissé sur la pierre. Essayez ensuite avec un chiffon humide et séchez à fond.

N'inversez pas la pierre à pizza pour la cuisson, même si le côté déjà utilisé est taché ou décoloré.

## RANGEMENT

Débranchez le four à pizza avant de le ranger. Assurez-vous que l'appareil est parfaitement refroidi, propre et sec. Le couvercle doit être fermé et libre de tout objet sur le dessus. Rangez l'appareil bien assis sur ses pieds.

# GUIDE DE DÉPANNAGE

## GUIDE DE DÉPANNAGE

PROBLÈME POSSIBLE	SOLUTION / VÉRIFICATION
L'appareil ne se met pas en marche	Assurez-vous que l'appareil est débranché et tournez l'interrupteur à la position 'ON'.
L'appareil ne se réchauffe pas à la température désirée	Assurez-vous que le cadran de température est au réglage désiré. Si la température n'est pas assez élevée, ajustez le cadran à un réglage plus haut.
Le voyant de chauffage ne reste pas allumé	Le voyant de chauffage s'allumera par intermittence durant le fonctionnement normal. Cependant, il ne restera allumé que lorsque l'appareil sera en cycle de chauffage.
La croute colle à la pelle à pizza	Assurez-vous qu'il y a suffisamment de farine sur la pelle à pizza pour glisser aisément la pâte hors de la pelle. Ne garnissez pas la pizza de trop de sauce ou d'ingrédients, car une pizza plus lourde sera difficile à glisser hors de la pelle à pizza.

# RECETTES

**PÂTE À PIZZA DE BASE**

4 pizzas de 12"/30cm

**INGRÉDIENTS**

15 oz de farine à pâtisserie (00) ou ordinaire  
 3 c. à thé de levure sèche  
 3 c. à thé de sucre  
 2 c. à thé de sel  
 1 c. à soupe d'huile d'olive  
 9 oz d'eau tiède

**MARCHE À SUIVRE**

1. Dans un grand bol, mettre la farine et façonner un cratère au centre.
2. Y incorporer la levure, le sucre, le sel, l'huile d'olive et l'eau et bien mélanger.
3. Transférer sur une surface légèrement farinée et pétrir 5-10 min ou jusqu'à la formation d'une boule ferme.
4. Mettre la boule de pâte dans un bol légèrement huilé, couvrir d'une pellicule plastique ou d'un torchon propre. Réserver dans un endroit chaud et sans courant d'air durant 30 min ou jusqu'à ce que la pâte ait doublé de volume.
5. Transférer la pâte sur une surface enfarinée et la dégonfler avec le poing pour l'aérer; pétrir légèrement.
6. Diviser la pâte, si nécessaire.

**PIZZA BIANCO**

4 portions

**INGRÉDIENTS**

6 oz de pâte à pizza fraîche  
 1/3 tasse de ricotta fraîche, émiettée  
 1/4 tasse de mozzarella, râpé  
 1/4 tasse de provolone, râpé  
 2 c. à soupe de parmesan, râpé  
 1 gousse d'ail, émincée  
 1 c. à thé de romarin frais, finement haché  
 Sel de mer, au goût

**MARCHE À SUIVRE**

1. Tourner l'interrupteur à la position 'ON'. Préchauffer le four à pizza au réglage PRE-HEAT durant 20-30 min.
2. Abaisser la pâte en un cercle de 9 1/2" (24cm) et la déposer sur une pelle à pizza farinée.
3. Piquer la pâte à la fourchette.
4. Étendre la ricotta, la mozzarella, le provolone et le parmesan sur la pâte. Saupoudrer d'ail et de romarin.
5. Sélectionner le réglage THIN (mince).
6. Transférer la pizza sur la pierre à pizza et fermer le couvercle.
7. Cuire la pizza 6-8 min ou jusqu'à cuisson désirée.
8. Surveiller la cuisson par le hublot de contrôle: la garniture doit être fondante et dorée et la croute brune et croustillante.
9. Ouvrir délicatement le couvercle à l'aide de gants de cuisine et transférer la pizza sur une planche à découper.

*Assaisonner de sel de mer et couper en 8 pointes. Servir immédiatement.*

## PIZZA MEXICAINE

4 portions

### INGRÉDIENTS

- 10 oz de pâte à pizza fraîche
- 2 c. à soupe de salsa moyenne aux tomates
- ¼ tasse de mozzarella, râpé
- ⅓ tasse de cheddar, râpé
- 1 chorizo (2 oz), tranché finement
- 2 c. à soupe de haricots noirs en boîte, rincés et égouttés
- 2 c. à soupe de coriandre fraîche, hachée
- ½ avocat, tranché
- 2 c. à soupe de crème fraîche
- Piments Jalapeño et quartiers de lime pour servir

### MARCHE À SUIVRE

1. Tourner l'interrupteur à la position 'ON'. Préchauffer le four à pizza au réglage PRE-HEAT durant 20-30 min.
2. Abaisser la pâte en un cercle de 9½" (24 cm) et la déposer sur une pelle à pizza farinée.
3. Piquer la pâte à la fourchette.
4. Étendre la salsa sur la pâte et recouvrir de mozzarella, cheddar, chorizo et haricots.
5. Sélectionner le réglage THICK (épaisse).
6. Transférer la pizza sur la pierre à pizza et fermer le couvercle.
7. Cuire la pizza 12-14 min ou jusqu'à cuisson désirée.
8. Surveiller la cuisson par le hublot de contrôle: la garniture doit être fondante et dorée et la croute brune et croustillante.

9. Ouvrir délicatement le couvercle à l'aide de gants de cuisine et transférer la pizza sur une planche à découper.
10. Saupoudrer de coriandre et de tranches d'avocat et verser une grosse cuillerée de crème fraîche au centre de la pizza.

*Couper en 8 pointes et servir immédiatement avec des piments Jalapeño et de quartiers de limes.*

### NOTE

Les temps de cuisson sont basés sur la température maximale de chaque réglage.



## PIZZA ÉPICÉE À L'AGNEAU

4 portions

### INGRÉDIENTS

#### Pâte à pizza

- 3 oz de poivrons rouges rôtis, hachés
- 1 gros chili rouge, haché
- 1 c. à soupe d'huile d'olive
- Sel de mer, au goût

#### Marinade sèche

- 1 gousse d'ail
- 1 c. à thé de cumin en poudre
- 1 c. à thé de coriandre en poudre
- ½ c. à thé de paprika fumé
- ½ c. à thé de sel de mer
- 2 c. à thé d'huile
- 5 oz de filet d'agneau, paré
- 6 oz de pâte à pizza fraîche
- 3 tomates cerise, coupées en deux
- 1 c. à soupe de noix de pin
- 3 ½ oz de fromage haloumi, râpé
- 3 c. à soupe de yogourt grec
- 1 gousse d'ail, écrasée
- Jus de citron, au goût
- Sel de mer, au goût
- Feuilles de menthe fraîche

### MARCHE À SUIVRE

1. Tourner l'interrupteur à la position 'ON'. Préchauffer le four au réglage PRE-HEAT durant 20-30 min.
2. Pendant ce temps, dans un robot culinaire, mélanger les poivrons, le chili et l'huile jusqu'à consistance onctueuse; saler et réserver.
3. Combiner l'ail et les épices et enrober l'agneau du mélange.
4. Dans un poêlon, chauffer l'huile et faire revenir l'agneau 1 min de chaque côté. Retirer le poêlon du feu, couvrir l'agneau de papier aluminium et laisser reposer.
5. Abaisser la pâte en un cercle de 9½" (24cm) et la déposer sur une pelle à pizza farinée.
6. Piquer la pâte à la fourchette.
7. Étendre 2½ c. à soupe de purée de poivrons sur la pâte et recouvrir de tomates, de noix de pin et d'haloumi.
8. Sélectionner le réglage THIN (mince).
9. Transférer la pizza sur la pierre à pizza et fermer le couvercle.
10. Cuire la pizza 6-8 min ou jusqu'à cuisson désirée.
11. Surveiller la cuisson par le hublot de contrôle: la garniture doit être fondante et dorée et la croûte brune et croustillante.
12. Ouvrir délicatement le couvercle à l'aide de gants de cuisine et transférer la pizza sur une planche à découper. Mélanger le yogourt et l'ail et assaisonner de jus de citron et de sel.
13. Couper l'agneau en tranches fines et répartir sur la pizza. Ajouter quelques cuillerées de yogourt et saupoudrer de menthe.

*Couper en 8 pointes et servir immédiatement.*

#### NOTE

Utiliser le reste de la purée de poivrons pour une autre pizza ou dans une sauce bolognaise.

#### NOTE

Ajustez le cadran sélecteur selon la cuisson de croûte que vous désirez.

## PIZZA ITALIENNE AUX BOULETTES DE VIANDE

4 portions

### INGRÉDIENTS

#### Boulettes de viande (24)

7 oz de porc et veau haché

¼ tasse de chapelure

1 c. à thé de gaines de fenouil

2 c. à soupe de parmesan, râpé

1 gousse d'ail, écrasée

1 petit oeuf

Poivre noir fraîchement moulu

#### Pizza

10 oz de pâte à pizza fraîche

¼ tasse de sauce à pizza

⅓ tasse de cheddar, râpé

1 c. à soupe de persil, haché

4 tomates cerise, coupées en deux

10 olives noires, dénoyautées

1 c. à thé de petites câpres, égouttées

### MARCHE À SUIVRE

1. Mélanger tous les ingrédients des boulettes et façonner en petites boules à l'aide d'une cuillère à thé. Faire revenir dans un poêlon très chaud 2-3 min ou jusqu'à coloration, sans trop cuire; réserver.
2. Tourner l'interrupteur à la position 'ON'. Préchauffer le four au réglage PRE-HEAT durant 20-30 min.
3. Abaisser la pâte en un cercle de 9½" (24 cm) et la déposer sur une pelle à pizza farinée.
4. Piquer la pâte à la fourchette.
5. Étendre la sauce à pizza sur la pâte et recouvrir de fromage, persil, tomates, olives et câpres.
6. Répartir 12 boulettes sur la pizza et les aplatir légèrement.

7. Sélectionner le réglage THICK (épaisse).
8. Transférer la pizza sur la pierre à pizza et fermer le couvercle.
9. Cuire la pizza 12-15 min ou jusqu'à cuisson désirée.
10. Surveiller la cuisson par le hublot de contrôle: la garniture doit être fondante et dorée et la croute brune et croustillante.
11. Ouvrir délicatement le couvercle à l'aide de gants de cuisine et transférer la pizza sur une planche à découper.

*Couper en 8 pointes et servir immédiatement.*

### NOTE

**Vous n'aurez besoin que de 12 boulettes pour une pizza. L'autre moitié pourra être utilisée pour une deuxième pizza ou congelé, si nécessaire.**

## PIZZA POUR DÉJEUNER

4 portions

### INGRÉDIENTS

8 oz de pâte à pizza fraîche

2 c. à soupe de passata

½ tasse de fromage à pizza

4 tranches de bacon

3 oz de poivrons rôtis, égouttés et coupés en lanières

1 oeuf

Sel de mer

Feuilles d'origan frais pour garnir

### MARCHE À SUIVRE

1. Tourner l'interrupteur à la position 'ON'. Préchauffer le four au réglage PRE-HEAT durant 20-30 min.
2. Abaisser la pâte en un cercle de 9½" (24cm) et la déposer sur une pelle à pizza farinée.
3. Piquer la pâte à la fourchette.
4. Étendre la passata sur la pâte et recouvrir de fromage et de bacon.
5. Faire un creux au centre de la pizza pour recevoir l'oeuf. Disposer la moitié des lanières de poivrons tout autour du creux pour que le blanc d'oeuf reste en place.
6. Sélectionner le réglage MEDIUM (moyenne).
7. Transférer la pizza sur la pierre à pizza et fermer le couvercle. Cuire 4 min.
8. Ouvrir le couvercle et casser l'oeuf dans le creux au centre de la pizza. Refermer le couvercle et cuire 7-10 min ou jusqu'à cuisson désirée.
9. Surveiller la cuisson par le hublot de contrôle: la garniture doit être fondante et dorée et la croute brune et croustillante.
10. Ouvrir délicatement le couvercle à l'aide de gants de cuisine et transférer la pizza sur une planche à découper. Saler et saupoudrer d'origan.

*Couper en 8 pointes et servir immédiatement.*



## Free Manuals Download Website

<http://myh66.com>

<http://usermanuals.us>

<http://www.somanuals.com>

<http://www.4manuals.cc>

<http://www.manual-lib.com>

<http://www.404manual.com>

<http://www.luxmanual.com>

<http://aubethermostatmanual.com>

Golf course search by state

<http://golfingnear.com>

Email search by domain

<http://emailbydomain.com>

Auto manuals search

<http://auto.somanuals.com>

TV manuals search

<http://tv.somanuals.com>