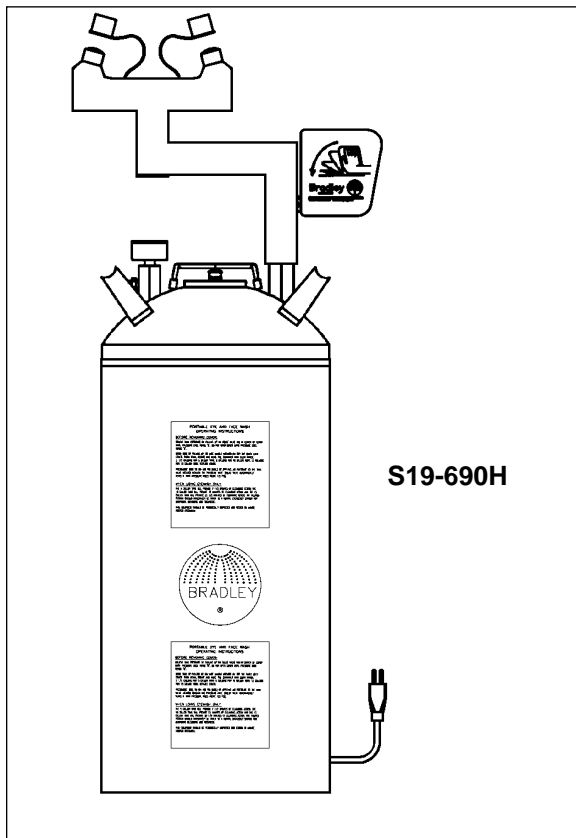


S19-690LHS



S19-690H

Installation Instructions

S19-690LHS, S19-690H 10-Gallon Tank with Eye Wash and Optional Heater Jacket

Table of Contents

Pre-Installation Information	2
Installation Instructions	3-4
Maintenance Instructions	5
Troubleshooting	5
Assembly of Components	6
Parts List	6



IMPORTANT

This equipment should be inspected, tested, and recorded weekly to maintain proper operation.

Read this installation manual thoroughly before beginning installation.

This installation manual should be filed by the owner's maintenance department.

Bradley 

P.O. Box 309, Menomonee Falls, WI 53052-0309
TEL. 1-800-BRADLEY FAX 262-251-5817
<http://www.bradleycorp.com>

Pre-Installation Information

Operation

The Bradley 10-Gallon Tank provides emergency protection in areas where permanent water supply is not available. After emergency use of the portable unit, further cleansing of the injury should be administered at a conventional plumbed fixture.

Components

10-Gallon Tank: The stainless steel tank has built-in carrying handles. The tank has a tire filler valve with 0-160 PSI air gauge. Pressure relief valve prevents accidental over-pressurization. (NOTE: Do not exceed 130 PSI tank pressure.) Empty tank weighs 23 lbs., 86 lbs. full.

Eye Wash: The twin chrome-plated, soft flow eye wash heads have automatic flow control and stay-open valve. Flow maintained approximately 15 minutes from eye wash.

Optional Heater Jacket: The insulated heater jacket is made of yellow 200-Denier foam-backed nylon and has a clear vinyl pocket to house the junction box. The eye wash yoke is wrapped with a heat trace cable and lined with pipe insulation for further freeze protection. Silicone rubber drum heaters have tension spring and hook fasteners. The heater jacket thermostatically controls water in weather conditions down to -10°F (-23°C).

Supplies Required

- pipe sealant
- Air pressure equipment or supply

Check Contents

Separate all parts from packaging and check each part with Figure 2 and the parts list on page 6. Make sure all parts are accounted for before discarding any packaging material. If any parts are missing, do not attempt to assemble your Bradley 10-Gallon Tank until you obtain the missing parts.

Bradley 10 Gallon Tank Warranty

Bradley Corporation warrants to commercial and institutional purchasers only each fixture free from defects in material and workmanship under normal use and service upon the following terms and conditions:

1. We will replace, without charge, any part which proves to be defective within one year from the date of our invoice at our option, F.O.B. Menomonee Falls, Wisconsin.
2. This warranty does not cover installation or any other labor charge and does not apply to fixtures which have been damaged by accident, abuse or improper maintenance.
3. The repair or replacement of the defective fixtures as stated in this warranty shall constitute the sole remedy of the purchaser, and the sole liability of the Bradley Corporation under this warranty. Bradley Corporation shall not otherwise be liable under any circumstances for incidental, consequential or indirect charges caused by defects in fixtures or any delay in the repair or replacement thereof.
4. This warranty extends only to commercial and institutional purchases and does not extend to any others, including consumer, customers of commercial and institutional purchasers.
5. This warranty is in lieu of all other warranties expressed or implied, including any implied warranty of merchant's ability or fitness for a particular purpose, or otherwise.
6. Bradley emergency fixtures are to be used as a supplement to first aid treatment. Bradley Corporation cannot guarantee that when used this emergency equipment will prevent serious injury or the aggravation of existing or prior injuries. No other warranties, expressed or implied are authorized, provided or guaranteed by Bradley Corporation.

Installation Instructions

Step 1: Install eye wash

1. Attach the eye wash to the tank outlet with pipe sealant (supplied by installer) (see Figure 1).

⚠ IMPORTANT: When attaching the eye wash to the tank outlet, hold the adapter (Item 3) with a wrench to prevent stripping. Failure to do so may damage the seal and cause leakage.

2. Attach the pressure gauge to the adapter on the pressure side of the tank with pipe sealant (supplied by installer) as shown in Figure 2 on page 6.

3. FOR OPTIONAL HEATER JACKET:

- Secure the pipe insulation and yellow jacket to the eye wash assembly.
- Wrap the heater belt around the tank at a height of four inches from the bottom of the tank and fasten securely.
- Connect the heat trace cable to the junction box.
- Slide the jacket up the side of the tank and pull the draw-string at the top of the jacket.
- Place the junction box in the pocket on the inside of the jacket.

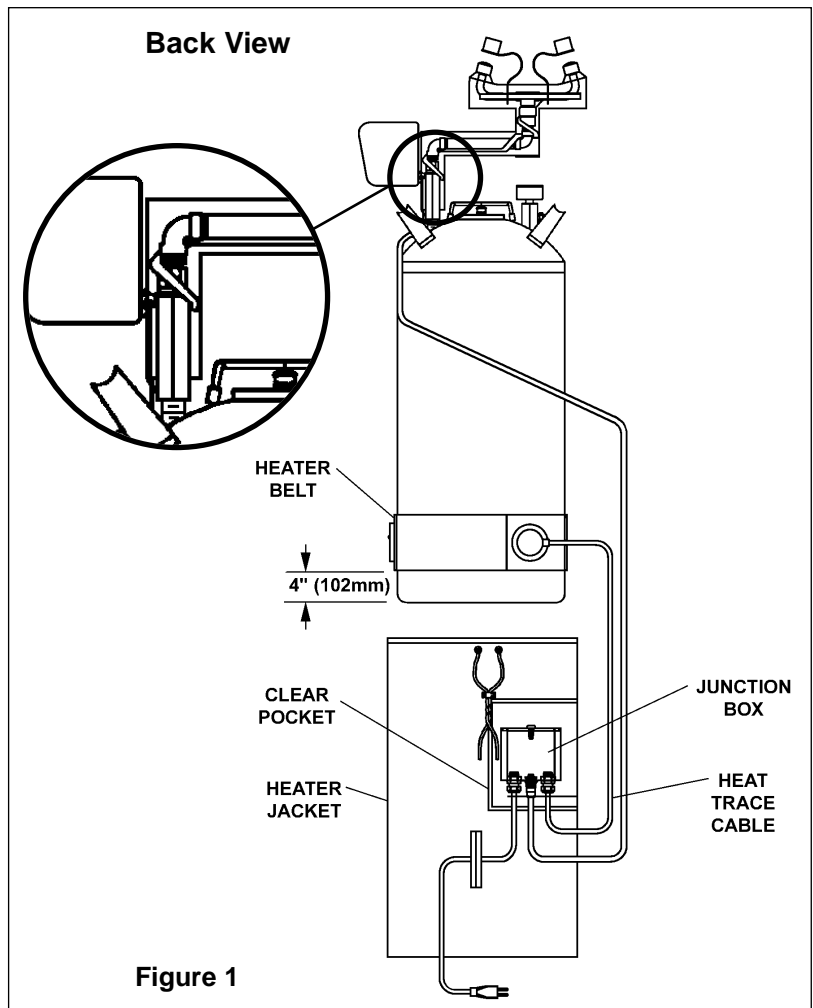


Figure 1

Installation Instructions *continued* . . .

Step 2: Fill tank and pressurize

1. If the tank is pressurized, relieve the tank pressure by pulling up on the relief tank tab in the center of the cover until the pressure gauge reads "0."



IMPORTANT: DO NOT open the cover until the pressure gauge reads "0"!

2. Open the tank by pulling up on the wire handle located on top of the Quicklock cover. Push down, rotate and remove. Fill the container with 7 gallons of potable water. Replace the cover.
3. Pressurize the tank to 95 PSI by applying air pressure to the valve located beneath the pressure gauge.

NOTE: Relief valve is designed to automatically vent at 100-130 PSI to prevent the tank from over-pressurizing.

Step 3: Flush tank


1. Discharge the water through the eye wash for at least five minutes to flush the system.
2. Refill the tank and pressurize as explained in Step 2 outlined above.

NOTE: Let unit stand for one hour. If there is a noticeable pressure drop, repressurize back to 95 PSI and let stand for one hour. If problems persist, consult the Troubleshooting guide found on page 5.

NOTE: This unit will provide at least 15 minutes of cleansing action. Take the injured person immediately to a normal emergency station for additional cleansing and treatment.

3. FOR OPTIONAL HEATER JACKET: Plug the jacket's electrical cord into an electric outlet.

Maintenance Instructions

-  **WARNING:** Water preservatives protect potable water from bacteria, fungi and algae growth for up to four months. If a water preservative is not used with this eye wash, it is recommended that the tank be cleaned weekly or as often as needed. Infection, loss of vision or other serious injury may result from misuse of this eye wash. **DO NOT** use expired, cloudy, colored or contaminated solution. **DO NOT** open preservative bottle if safety seal is broken. **DO NOT** save unused solution.

Step 1: Inspect eye wash unit

1. Visually inspect the pressure gauge weekly to ensure the unit is maintaining the proper pressure. If the unit is not working properly, remove it from the hazard area immediately and refer to the troubleshooting instructions. For further assistance, contact the Bradley Corporation.

Step 2: Clean eye wash unit

When using potable water *only*:

1. Empty the tank any time from once per week to once per month, depending on the quality of your water supply. The manufacturer is not responsible for variations in the water supply.
2. Clean the inside of the tank using warm water and mild soap. Rinse the tank thoroughly with warm water.
3. Refill the eye wash tank following the procedure outlined in Step 2 found on page 4.

When using potable water and water preservative (recommended):

1. Empty the tank at least once every 120 days.
2. Clean the inside of the tank using warm water and mild soap. Rinse the tank thoroughly with warm water.
3. Refill the eye wash tank with potable water and the contents of an 8-ounce bottle of water preservative (refer to the procedure outlined in Step 2 found on page 4).
 - To order potable water preservative, contact your Bradley representative or local distributor and ask for part number S19-865.

Troubleshooting

1. If pressure relief valve relieves prior to the required pressure, do the following (when in the unpressurized condition):
 - Tighten the valve completely into the cap by turning the gray hex head portion of the pressure relief valve clockwise. Do not use a wrench.
 - Pull up on the relief valve ring and ensure that the ring is not preventing the valve from closing completely. Push on the center pin of the relief valve to ensure that it is completely closed. Repressurize tank to required pressure. This may have to be done several times to get the valve to seat completely.
2. If the pressurized tank loses pressure over time, check the connections with diluted liquid dish soap or children's bubbles to identify the leak location. Tighten the connection slightly and test again.

Assembly of Components

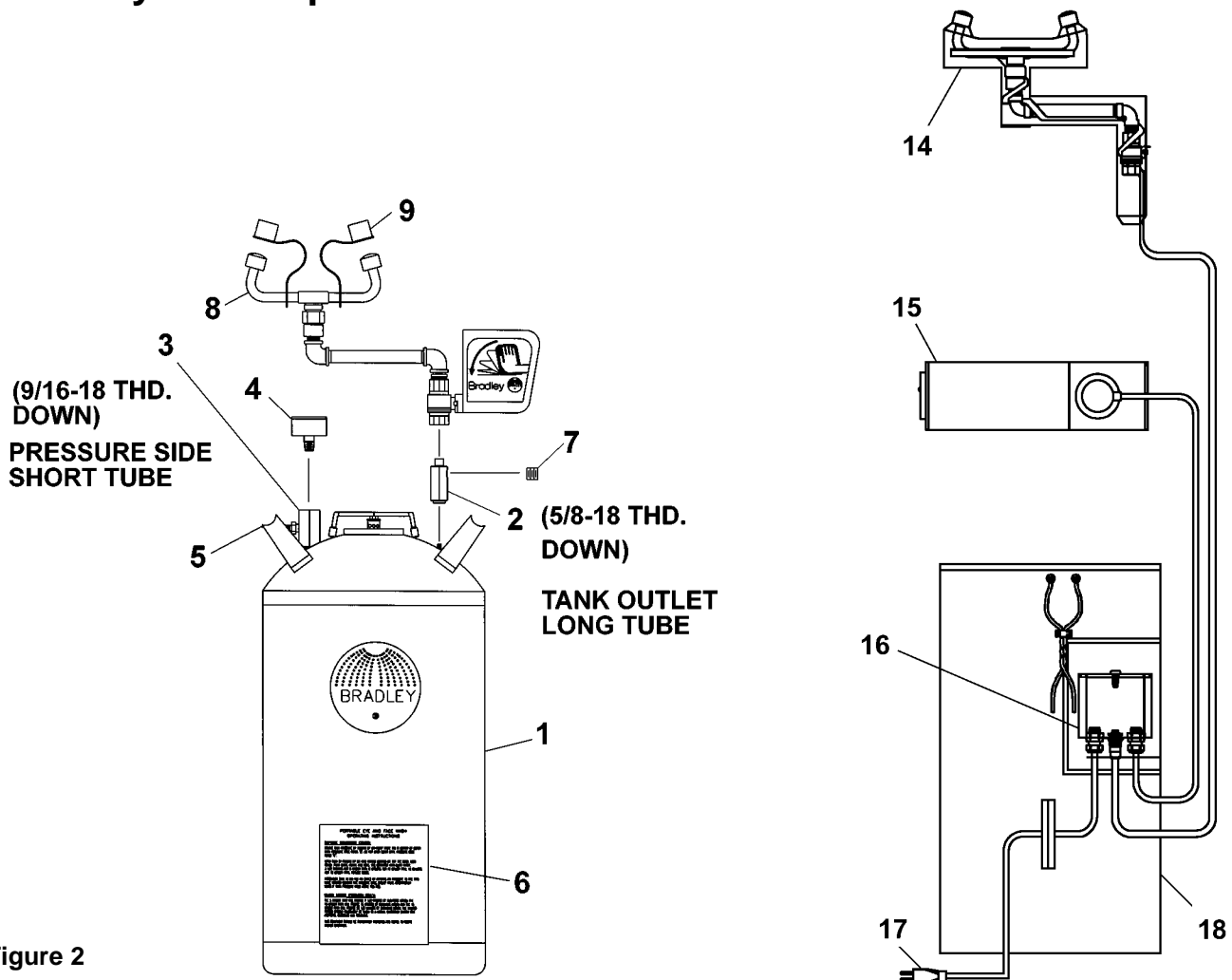


Figure 2

Parts List

Item	Part No.	Qty	Description	Item	Part No.	Qty	Description
1	S27-252	1	TANK – 10 GALLON	9	107-371	2	TETHERED DUST COVER
2	153-429	1	ADAPTER	10	269-1671	1	PIPE WRAP
3	153-217	1	ADAPTER	11	261-007B	1	HEATER BELT, 4 "
4	169-786	1	PRESSURE GAUGE	12	S83-167	1	JUNCTION BOX ASSEMBLY
5	S27-161	1	TANK VALVE ASSY.	13	230-022	1	POWER SUPPLY CORD
6	204-095	1	OPERATING INSTR. LABEL	14	269-1669	1	HEATER JACKET
7	169-043	1	PIPE PLUG, 1-3/8"	15*	204-421	1	EMERGENCY TAG
8	S05-116	1	EYE WASH VALVE ASSY.	16*	114-051	1	SAFETY SIGN

* Not Shown

Free Manuals Download Website

<http://myh66.com>

<http://usermanuals.us>

<http://www.somanuals.com>

<http://www.4manuals.cc>

<http://www.manual-lib.com>

<http://www.404manual.com>

<http://www.luxmanual.com>

<http://aubethermostatmanual.com>

Golf course search by state

<http://golfingnear.com>

Email search by domain

<http://emailbydomain.com>

Auto manuals search

<http://auto.somanuals.com>

TV manuals search

<http://tv.somanuals.com>