

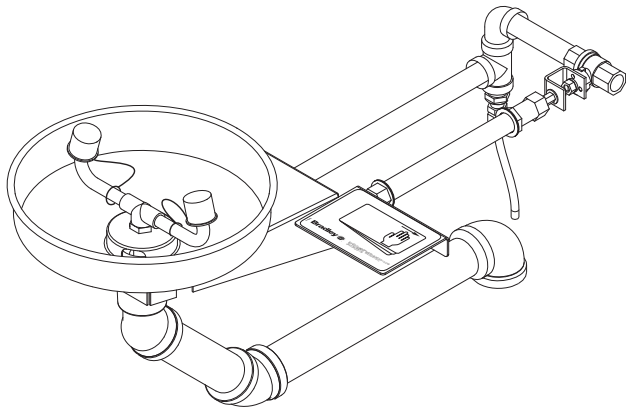
Installation

S19-220HFP

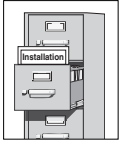
Stainless Steel Wall-Mounted Eyewash

Table of Contents

Pre-Installation Information	2
Dimensions	3
Installation Instructions	4
Assembly of Components	5
Parts List	6



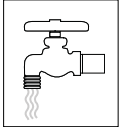
 **WARNING** 



Read this installation manual completely to ensure proper installation, then file it with the owner or maintenance department. Compliance and conformity to drain requirements and other local codes and ordinances is the responsibility of the installer.



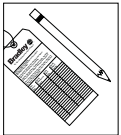
Separate parts from packaging and make sure all parts are accounted for before discarding any packaging material. If any parts are missing, do not begin installation until you obtain the missing parts.



Flush the water supply lines before beginning installation and after installation is complete. Test the unit for leaks and adequate water flow. Main water supply to the eyewash should be "ON" at all times. Provisions shall be made to prevent unauthorized shutoff.



The ANSI Z358.1 standard requires an uninterrupted supply of flushing fluid at a minimum 30 PSI (0.21 MPa) flowing pressure. Flushing fluid should be tepid per ANSI Z358.1.



The inspection and testing results of this equipment should be recorded weekly to verify proper operation. This equipment should be inspected annually to ensure compliance with ANSI Z358.1.



Workers who may come in contact with potentially hazardous materials should be trained regarding the placement and proper operation of emergency equipment per ANSI Z358.1.



For questions regarding the operation or installation of this product, visit www.bradleycorp.com or call 1-800-BRADLEY.

Product warranties may also be found under "Product Information" on our web site at www.bradleycorp.com.

S19-220HFP Dimensions

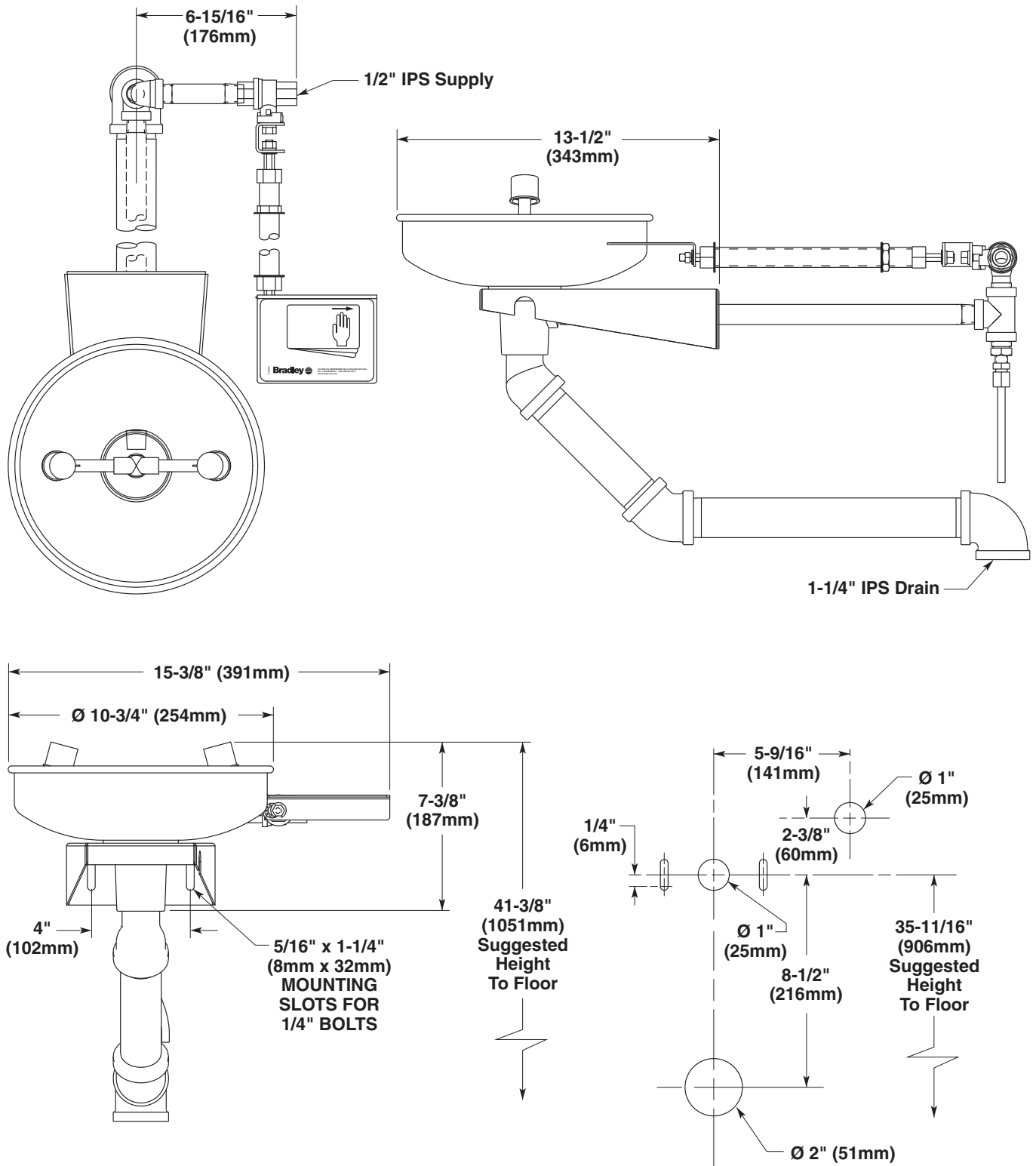


Figure 1

NOTE: All dimensions assume standard thread engagement. Variations in manufacturing allow for +/- 1/8" (3mm) per threaded joint. To find the tolerance of a dimension, add the number of thread joints in between a dimension and multiply it by 1/8" (3mm).

Installation Instructions

Supplies Required:

- (2) 1/4" wall fasteners and bolts
- Pipe sealant
- Piping to 1/2" IPS water supply inlet and piping to 1-1/4" IPS drain outlet
- Sign-mounting hardware

Step 1: Mount eyewash and install supply piping

NOTE: The top of the eyewash heads should be 33"–45" (838mm–1143mm) from the floor. Refer to Figure 1 on page 3 for appropriate dimensions.

1. Drill supply, drain, and operating rod holes at the dimensions shown in Figure 1.
2. Secure the eyewash receptor assembly to the wall using appropriate wall anchors and bolts (supplied by installer).
3. Install the drain and supply piping (apply pipe sealant to all male-threaded pipe joints).

Step 2: Secure operating support sleeve

NOTE: This unit has been designed to accommodate varying wall thicknesses. When installing the operating stem support sleeve (Item 19) it will be necessary to cut off one or both ends of the sleeve so that 5/8" of threaded pipe protrudes from both sides of the wall.

1. Insert the operating support sleeve through the wall and secure in place with the nuts and washers provided. A slip joint has been provided for adjustment and is located directly below the automatic weep drain fitting (Item 11).

Step 3: Assemble components

NOTE: Refer to the illustration on page 5 for component assemblies.

1. Assemble the components in the following order over the non-threaded end of the brass tube (Item 12): connector kit (Item 13), brass friction ring (Item 15) and rubber washer (Item 14).
2. Insert the non-threaded end into the pipe (Item 8).
3. Align and screw the threaded end into the automatic weep drain. Tighten the nut (Item 13) on the pipe.
4. Insert the operating rod (Item 22) through the sleeve and attach handles (Items 23 and 24) with the nuts and lockwashers provided.

Step 4: Connect water supply

1. Tighten all pipes and fittings maintaining proper alignment.
2. Connect the water supply piping to the 1/2" IPS inlet on the eyewash (piping supplied by installer).
3. Connect drain piping to the 1-1/4" IPS drain outlet on the eyewash (piping supplied by installer).
4. Mount safety sign to wall using sign mounting hardware (supplied by installer).
5. Open the water supply lines. Test for leaks and adequate water flow.

Assembly of Components

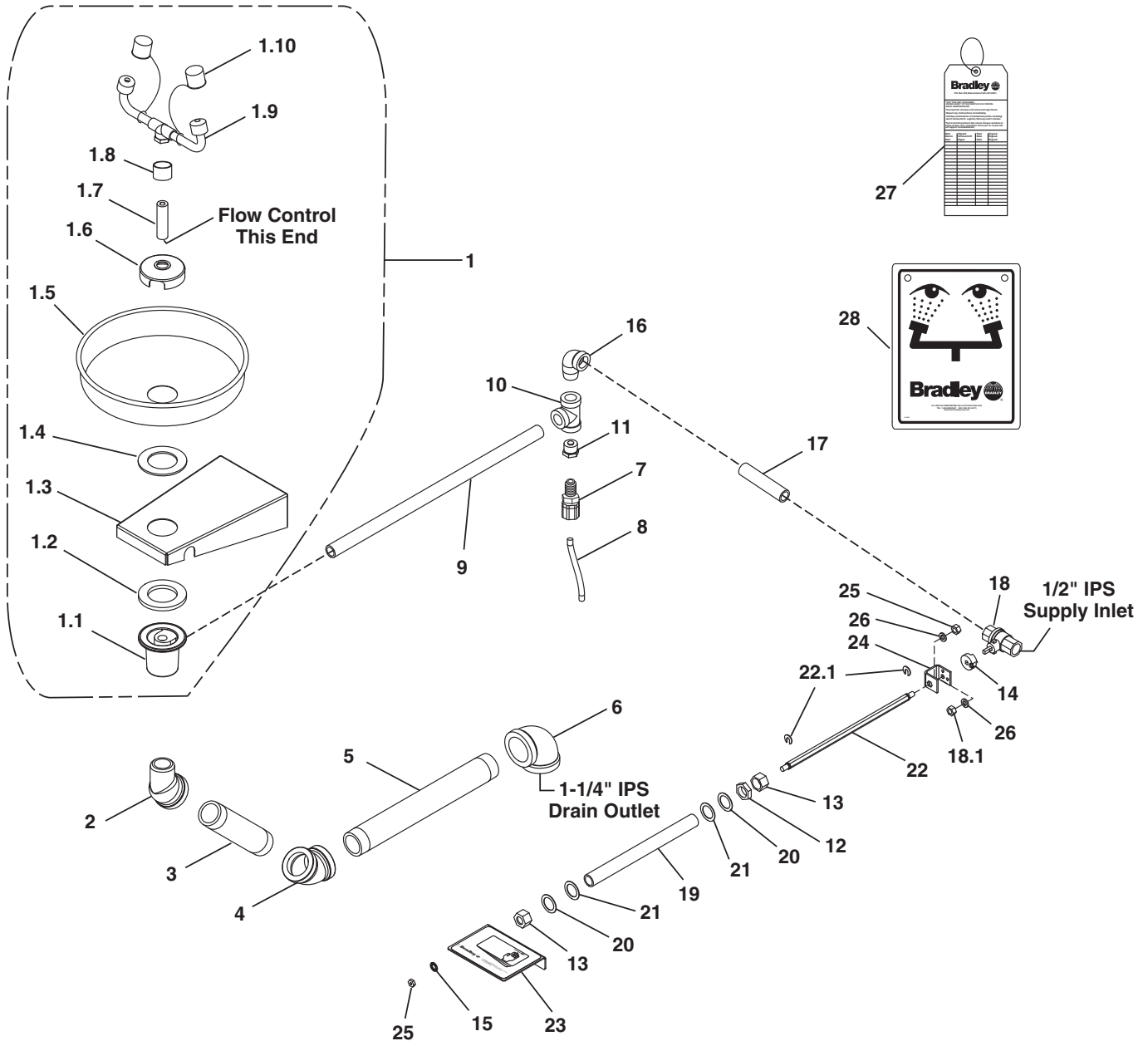


Figure 2

NOTE: Items 1.1-1.10 come preassembled as Item 1.

Parts List

Item	Part No.	Qty	Description	Item	Part No.	Qty	Description
1	S90-302	1	Stainless Steel Bowl Assembly	11	S29-068	1	Weep Valve Assy.
1.1	111-039	1	Inlet-Drain Fitting	12	142-002DA	1	Washer
1.2	124-028	1	Gasket	13	110-191	2	Connector Nut
1.3	140-645	1	Wall Bracket	14	110-115	1	Nut
1.4	124-024	1	Washer	15	153-372R	1	Adapter, Ball Valve
1.5	187-053	1	Stainless Steel Bowl	16	169-025	1	90° Street Elbow 1/2" IPS
1.6	173-009	1	Cup Strainer	17	113-006MS	1	Pipe 1/2" IPS x 3-3/4" lg.
1.7	S21-071	1	Supply Pipe Assy.	18	S27-282	1	Stay-Open Ball Valve 1/2" IPS w/Nut
1.8	113-1159	1	Spacer, Drain	18.1	110-215	1	Nut only
1.9	S05-091	1	Eyewash Yoke	19	113-006NN	1	(0"-8")pipe sleeve 1/2" IPS x 9-1/4"
1.10	107-371	2	Dust Cover		113-006NR	1	(8"-12")pipe sleeve 1/2" IPS x 13-1/4"
2	169-850	1	45° Street Elbow 1-1/4" IPS		113-006NU	1	(12"-18")pipe sleeve 1/2" IPS x 19-1/4"
3	113-006LT	1	Pipe 1-1/4" IPS x 6-1/2" Lg.	20	142-002F	2	Washer-Metal
4	169-849	1	45° Elbow 1-1/4" IPS	21	124-001F	2	Washer-Fiber
5	113-006NQ	1	(0-8" wall)Pipe 1-1/4" IPS x 12-1/16"	22	S21-067	1	(0"-8") Operating Rod
	113-006NT	1	(8-12" wall)Pipe 1-1/4" IPS x 16-1/16"		S21-067A	1	(8"-12") Operating Rod
	113-006NW	1	(12-18" wall)Pipe 1-1/4" IPS x 22-1/16"		S21-067B	1	(12"-18") Operating Rod
6	169-764	1	Elbow 1-1/4" IPS	22.1	132-042	2	Retaining Ring
7	269-882	1	Connector	23	S08-308	1	Handle Assy.
8	R68-600015	4 ft.	Tube	24	128-151	1	Handle
9	113-006NP	1	(0"-8" wall) Pipe 1/2" IPS x 18-3/8"	25	161-036	2	Nut-Hex 5/16-18 Stn. Stl.
	113-006NS	1	(8"-12" wall) Pipe 1/2" IPS x 28-3/8"	26	142-002BK	2	Lockwasher
	113-006NV	1	(12"-18" wall) Pipe 1/2" IPS x 28-3/8"	27	114-051	1	Safety Sign
10	169-838	1	Pipe Tee 1/2"	28	204-421	1	Emergency Tag

Prepack S45-1782 includes Items 1.4, 1.6, 1.7, 1.8

Free Manuals Download Website

<http://myh66.com>

<http://usermanuals.us>

<http://www.somanuals.com>

<http://www.4manuals.cc>

<http://www.manual-lib.com>

<http://www.404manual.com>

<http://www.luxmanual.com>

<http://aubethermostatmanual.com>

Golf course search by state

<http://golfingnear.com>

Email search by domain

<http://emailbydomain.com>

Auto manuals search

<http://auto.somanuals.com>

TV manuals search

<http://tv.somanuals.com>