

Installation Instructions

MG-EXT Express® Lavatory System MG-Series Extension

Table of Contents

Pre-Installation Information	2
Installation Instructions	3
Cleaning and Maintenance	4



IMPORTANT

Read this entire installation manual to ensure proper installation.

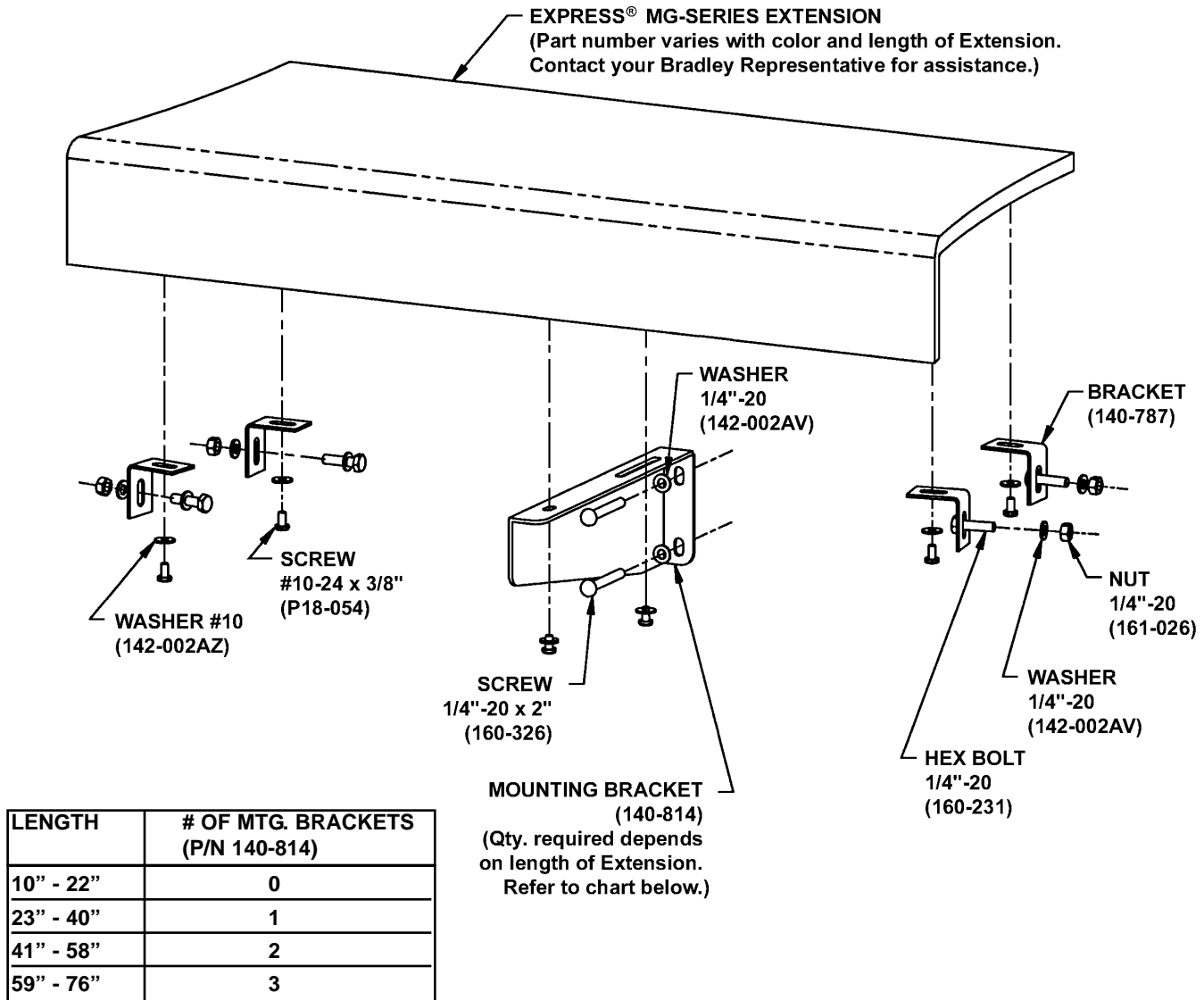
Wall anchors used must have a minimum pull-out rating of 300 lbs.

File these instructions with the owner or maintenance department.

Pre-Installation Information

Check Contents

Separate all parts from the packaging and check each part with the drawing below. Make sure all parts are accounted for before discarding any packaging material. If any parts are missing, do not attempt to install your Express® MG-Series Extension until you obtain the missing parts.



Supplies Required:

- (2 - 8) 1/4"-20 wall anchors (quantity depends on length of the Extension)

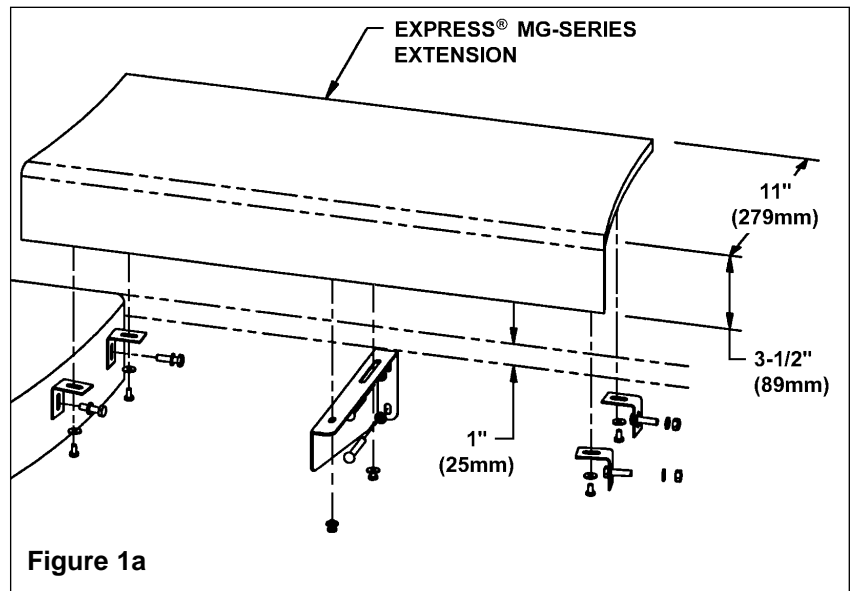
Tools Recommended:

- Screwdrivers
- Tools for mounting wall anchors
- Level
- Tablesaw with carbide tip blade for trimming solid-surface material

Installation Instructions

Step 1: Mount Extension to alcove wall

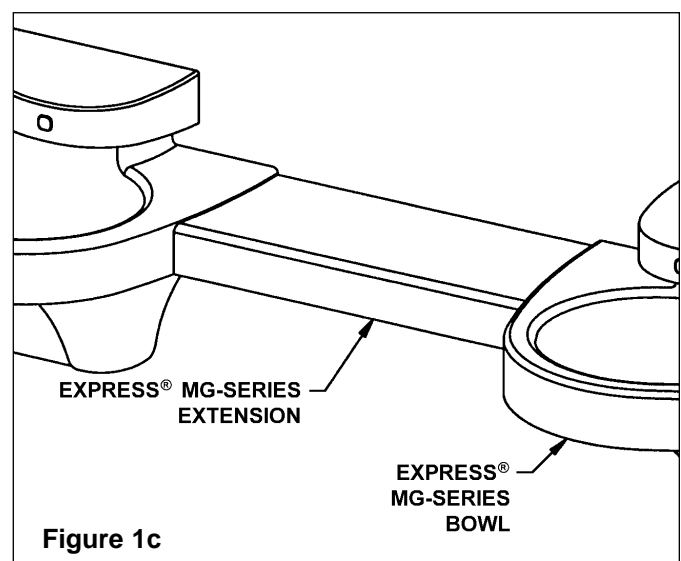
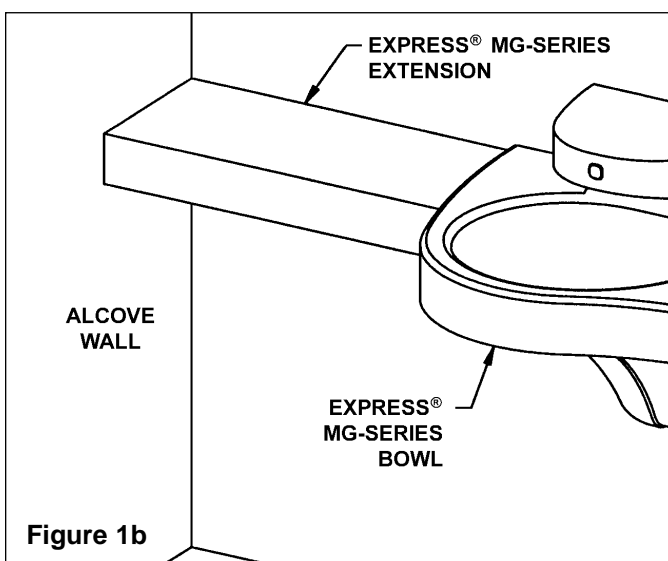
1. Mark a level line flush with the top of the Express® MG-Series bowl (see Figure 1a).
2. From that line, measure down 1" and mark another level line. This line will be used to locate the top of the Extension brackets.
3. Measure the opening between the Express® Lavatory System MG-Series and the alcove. If the Extension does not fit properly within the opening, trim the flat (wall) end of Extension to fit using a table saw with a carbide tipped blade to trim the Extension) (see Figures 1a and 1b).



4. Attach the support brackets to the Extension (see Figure 1a).
5. Place and level the Extension into the alcove or between the bowls and, using the brackets as a template, mark the hole locations for the wall anchors and/or hole locations on the Express® MG-Series bowl.

NOTE: Extensions 22" long or less do not require mounting brackets (P/N 140-814) or wall anchors for mounting.

6. Drill 1/4"-20 clearance holes into the bowls at the hole locations marked in procedure #5. Drill holes for 1/4"-20 wall anchors (supplied by installer) and insert the anchors into the wall.
7. Using the hardware supplied, attach the Extension to the wall or Express® MG-Series bowl (see Figures 1a, 1b and 1c).



Cleaning and Maintenance



IMPORTANT: Strong alkaline or acid-based chemicals and cleansers should not be used to clean Terreon®. If these chemicals come in contact with the Terreon® surface, wipe off the surface immediately and flush with soapy water.

Terreon® maintenance

Extensions are constructed of Terreon®, a densified solid surface material composed of an acrylic modified polyester resin. Terreon® is resistant to chemicals, stains, burns and impact. Surface damage can be easily repaired with everyday cleaners or fine grit abrasives. The panel and sprayhead are made of an acrylic/ABS laminate, and will not chip, peel or flake. With regular cleaning, your Terreon® fixture will provide years of dependable service.

Cleaning

- **Daily Cleaning:** Wipe the surface with a damp cloth and wipe dry.
- **Weekly Cleaning:** Wipe the surface with a damp cloth and a household liquid detergent. Stubborn stains can be removed as follows:
 1. Using a #7448 Scotch-Brite® pad, scrub with an abrasive cleanser such as Ajax®, Comet® or Soft Scrub® and water.
 2. Clean thoroughly with soapy water and allow to dry.
- **Scorch Marks:** Although Terreon® will not burn, a lit cigarette in contact with Terreon® could leave a scorch mark. Scorch marks can be removed by buffing with a #7448 Scotch-Brite pad or with an abrasive cleaner.
- **Repair kit:** In the unlikely event your Terreon® surface becomes damaged, it can easily and expensively be repaired. Contact your Bradley representative to order a repair kit and be sure to specify color when ordering.

NOTE: Use of brand names is intended only to indicate a type of cleaner. This does not constitute an endorsement, nor does the omission of any brand name cleaner imply its inadequacy. Many products named are regional in distribution and can be found in local supermarkets, department and hardware stores or through your cleaning service. It is emphasized that all products should be used in strict accordance with package instructions.

Express® Lavatory System MG-Series Extension Warranty

Bradley Corporation warrants to commercial and institutional purchasers only each unit free from defects in material and workmanship under normal use and service upon the following terms and conditions.

1. This warranty is limited to replacing or repairing, at our option, transportation charges prepaid by the purchaser, any Bradley unit or part thereof which our inspection shall show to have been defective within the limitations of this warranty.
2. The period during which Express® Lavatory System MG-Series Extension components are warranted is as follows:
 - Terreon® Extension warranted for five (5) years.
 - all other components warranted for one (1) year.
3. This warranty does not cover installation or any other labor charges and does not apply to any units which have been damaged by accident, abuse, improper installation or improper maintenance.
4. The replacement or repair of defective units as stated in this warranty shall constitute the sole remedy of the purchaser and the sole liability of Bradley Corporation under this warranty. Bradley Corporation shall not otherwise be liable under any indirect damages caused by defects in the repair or replacement thereof.
5. This warranty extends only to commercial and institutional purchaser and does not extend to any others, including consumer customers of commercial institutional purchasers.
6. This warranty is in lieu of all other warranties, expressed or implied, including any implied warranty of merchants ability or fitness for a particular purpose or otherwise.

Free Manuals Download Website

<http://myh66.com>

<http://usermanuals.us>

<http://www.somanuals.com>

<http://www.4manuals.cc>

<http://www.manual-lib.com>

<http://www.404manual.com>

<http://www.luxmanual.com>

<http://aubethermostatmanual.com>

Golf course search by state

<http://golfingnear.com>

Email search by domain

<http://emailbydomain.com>

Auto manuals search

<http://auto.somanuals.com>

TV manuals search

<http://tv.somanuals.com>