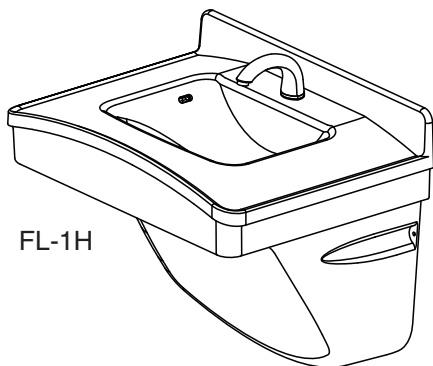


# Installation

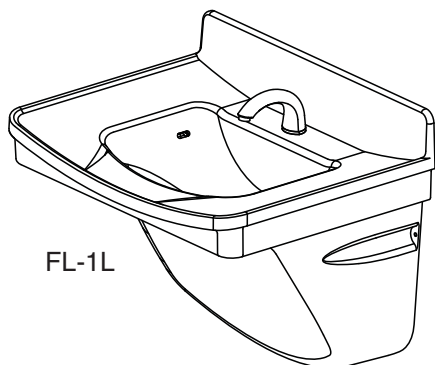
## FL-1H, FL-1L

### Frequency® Lavatory System

U.S. Pat. No. Des. 507,634



FL-1H

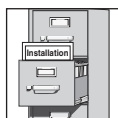


FL-1L

#### Table of Contents

Components . . . . .	2
Supplies Required . . . . .	2
Cleaning and Maintenance for Terreon® . . . . .	3
Dimensions - Front and Top Views . . . . .	3
Dimensions - Side Views . . . . .	4
Rough-Ins . . . . .	5
Installation . . . . .	6-8

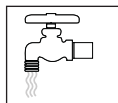
## ⚠ IMPORTANT! ⚠



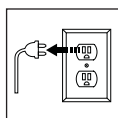
**Read this entire installation manual to ensure proper installation. When finished with the installation, file this manual with the owner or maintenance department. Compliance and conformity to local codes and ordinances is the responsibility of the installer.**



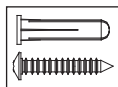
**Separate parts from packaging and make sure all parts are accounted for before discarding any packaging material. If any parts are missing, do not begin installation until you obtain the missing parts.**



**Make sure that all water supply lines have been flushed and then completely turned off before beginning installation. Debris in supply lines can cause valves to malfunction.**



**Turn OFF electrical power to the electrical outlets, then unplug all electrical units prior to installation. Electrical power MUST remain off until installation is completed. After installation is complete, turn on the water supply first, then turn on the electrical power.**

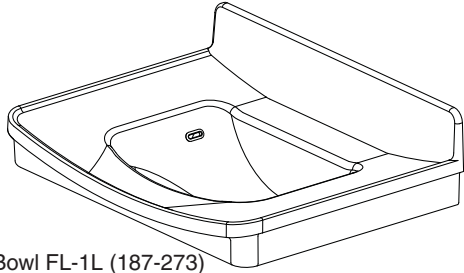


**Hardware supplied by installer must be appropriate for wall construction. Wall anchors used must have a minimum pull-out rating of 1,000 lbs.**

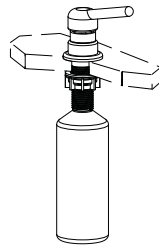


**Product warranties may be found under "Product Information" on our web site at [www.bradleycorp.com](http://www.bradleycorp.com).**

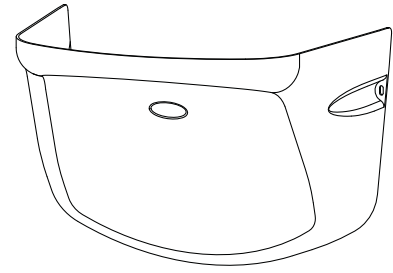
**Components**



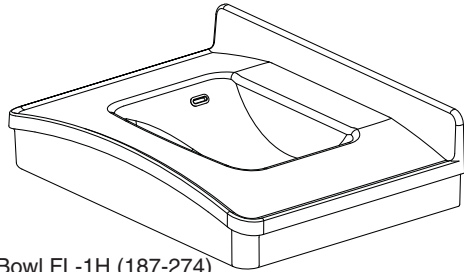
Bowl FL-1L (187-273)  
Contact Bradley for color options



Soap Dispenser Model 6334

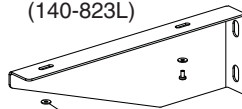


Prepack Trap Cover FL-1  
(S45-2108 - Gray)  
(S45-2108A - Putty)  
(S45-2108B - Coal)

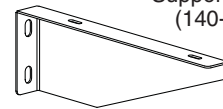


Bowl FL-1H (187-274)  
Contact Bradley for color options

Support Bracket (140-823L)

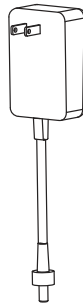


Support Bracket (140-823R)

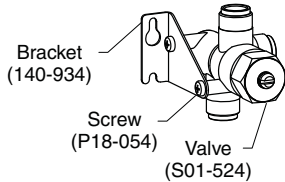


#10 Washer (142-002AT)  
#10-24 Screw (P18-054)

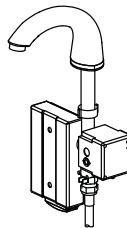
Optional Single-Unit Adapter (153-443)



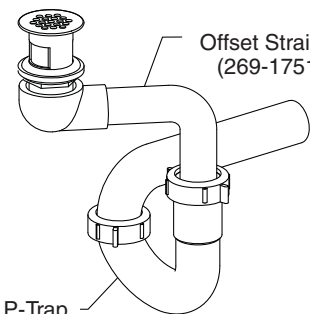
Vernatherm™ TMV Assembly



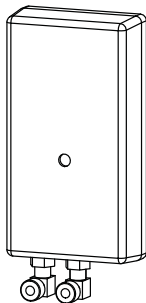
Aerada™ 1200 Series CS Faucet Model S53-315



Offset Strainer (269-1751)

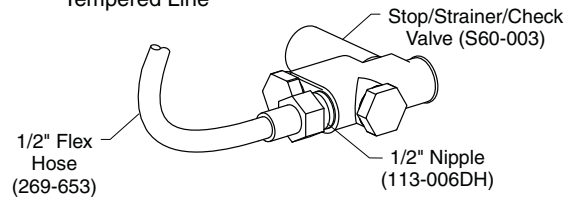


Optional Tankless Water Heater (269-1765 - EX55TMLB, 240/208 volts)  
(269-1766 - EX60TMLB, 277 volts)



P-Trap (269-1697)

Optional Tempered Line



**Supplies Required:**

- (4) 3/8" wall anchors, bolts and 1" min. O.D. washers to mount main frame and bowl to wall (minimum pull-out rating of 1,000 lbs.)
- (2) #10 wall anchors (for optional mixing valve/bracket mounting)
- 1/2" NPT hot/cold or tempered supply piping
- 1-1/2" NPT drain piping
- OPTIONAL: 110 volt GFCI protected electrical outlet for 100–120 VAC plug-in transformer (for Bradley Faucets)
- OPTIONAL: 240/208 or 277 volts for electric tankless water heater

## Cleaning and Maintenance for Terreon®

**Material Description:** Terreon® is an NAHB Certified densified solid surface material composed of polyester resin and is resistant to chemicals, stains, burns and impact. Surface damage can be easily repaired with everyday cleansers or fine grit abrasives.

**Routine Cleaning:** Clean daily or as often as conditions require using a standard commercial or household cleaner such as Formula 409® or Windex®.

**Stubborn Stains:** Remove tough stains with Ajax®, Comet®, or Soft-Scrub® and a green Scotch-Brite® pad or lightly sand in a circular motion with 240 grit wet/dry sandpaper. The finish can be renewed with a maroon Scotch-Brite® pad.

### Special Situations for Material

**Scratches:** Remove scratches with a green Scotch-Brite® pad. The finish can then be renewed with a maroon Scotch-Brite® pad, followed by a white Scotch-Brite® pad or 30-micron sandpaper.

**Hard Water Deposits:** Remove hard water deposits with a mild solution of vinegar and water. Always rinse the unit thoroughly after cleaning.

**Restoring the surface:** Use Hope's® Solid Surface cleaner and polish to refresh and protect the Terreon® Solid Surface material. Bradley recommends additional care and maintenance for the darker colored Terreon®, for complete instructions on this additional maintenance refer to Bradley technical document #1505.



**Do not use strong acid or alkaline chemicals and cleansers to clean Terreon®. If these chemicals come in contact with the surface, wipe them off immediately and rinse with soapy water. Avoid contact with harsh chemicals such as paint remover, bleach, acetone, etc. Avoid contact with hot pans and objects.**

**Repair Kits:** Terreon® repair kits are available. Contact your Bradley representative or distributor for part numbers and pricing. Repair kits are made to order and have a shelf life of 30 days.

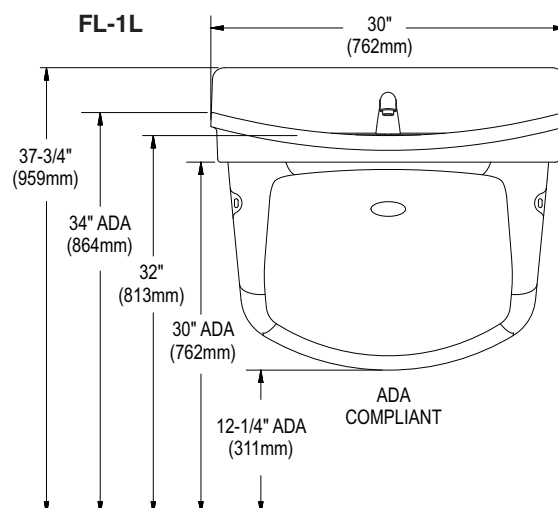
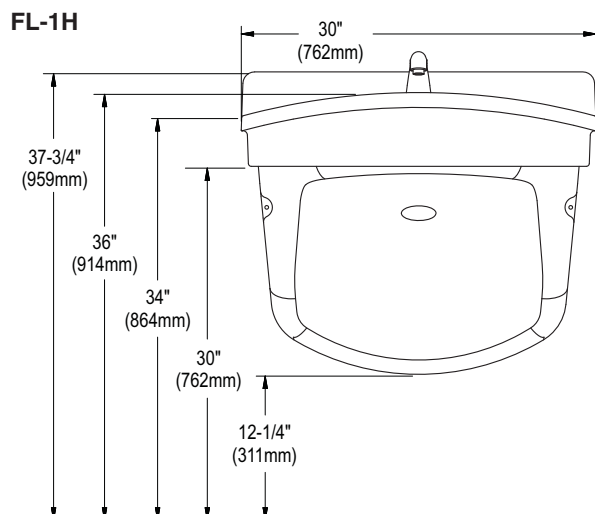
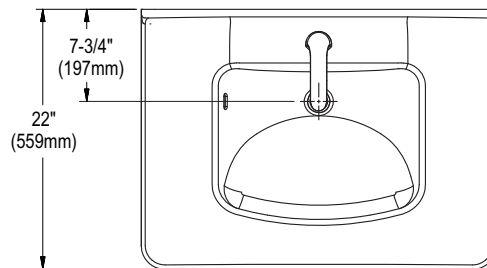


*Terreon® is a unique, cast solid surface material. Aggregate flow and distribution as well as shades of color can vary from product to product creating natural characteristics.*

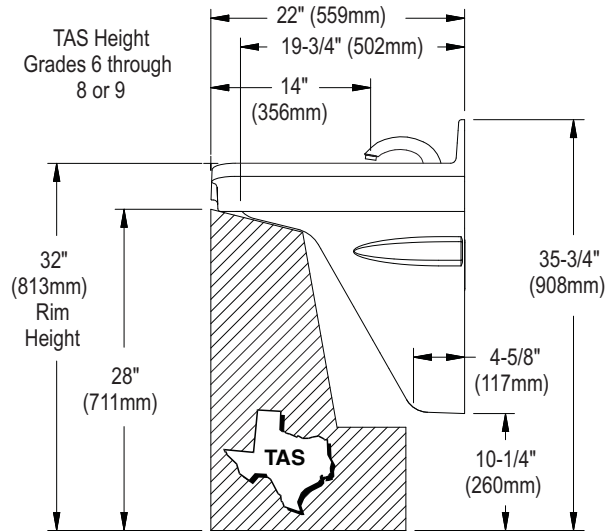
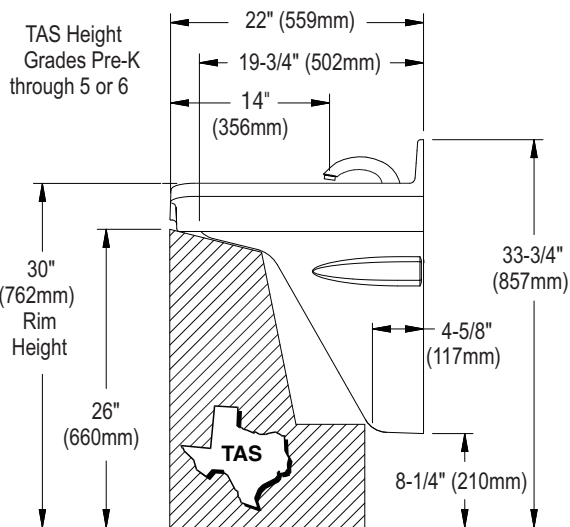
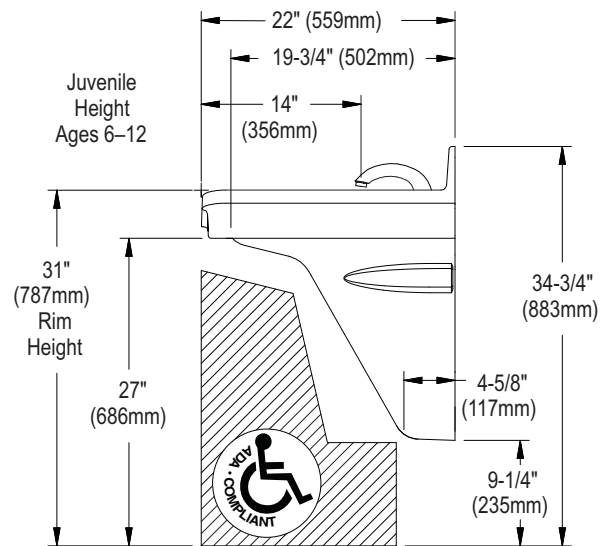
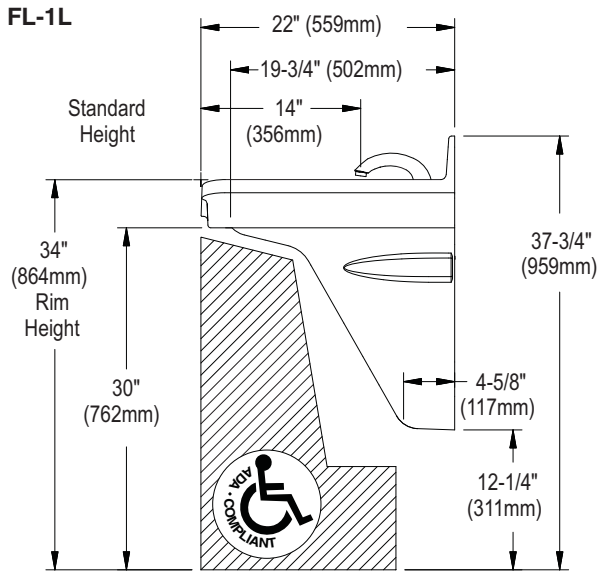
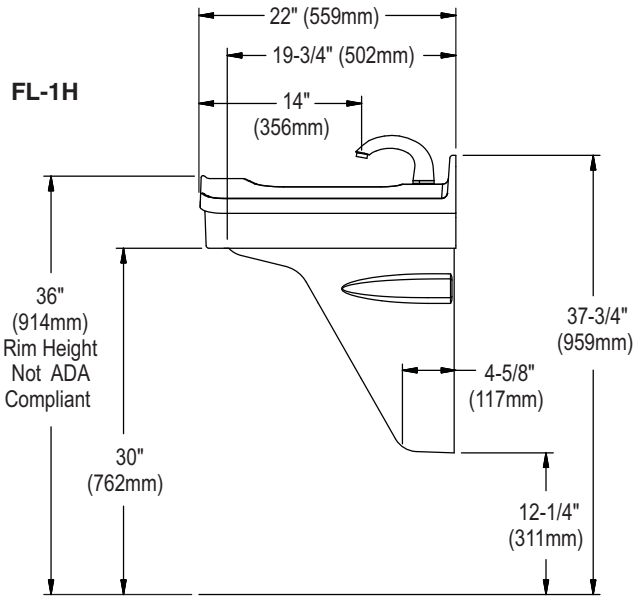
**Brand Names:** Use of brand names is intended only to indicate a type of cleaner. This does not constitute an endorsement, nor does the omission of any brand name cleaner imply inadequacy. Many products named are regional in distribution, and can be found in local supermarkets, department and hardware stores, or through your cleaning service. It is emphasized that all products should be used in strict accordance with package instructions.

## Dimensions - Front and Top Views

FL-1H shown  
FL-1L is similar

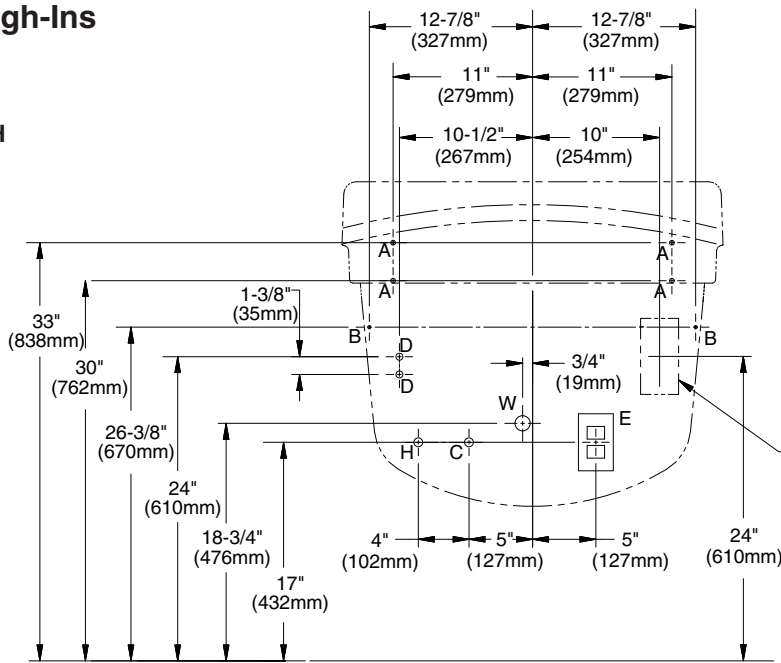


**Dimensions - Side Views**



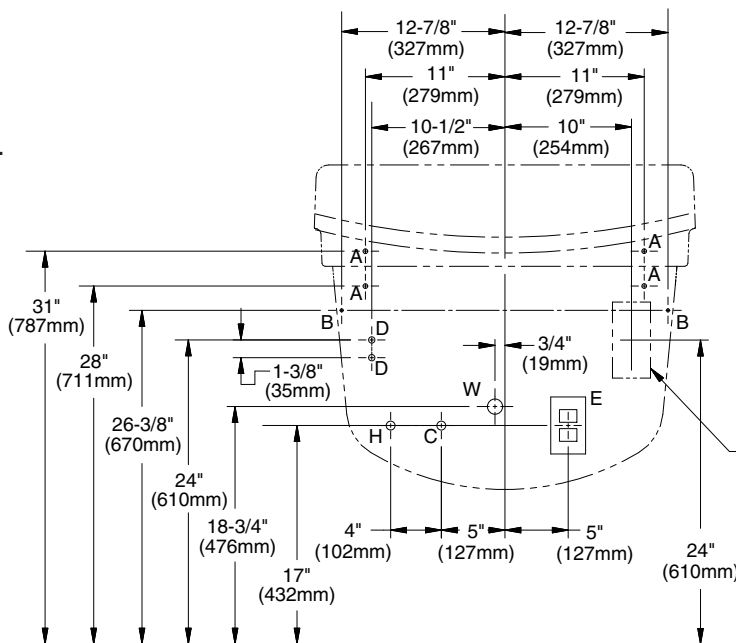
**1 Rough-Ins**

**FL-1H**



Recommended 240v/208v or 277v electrical rough-in location (approx. 3" x 6")

**FL-1L**



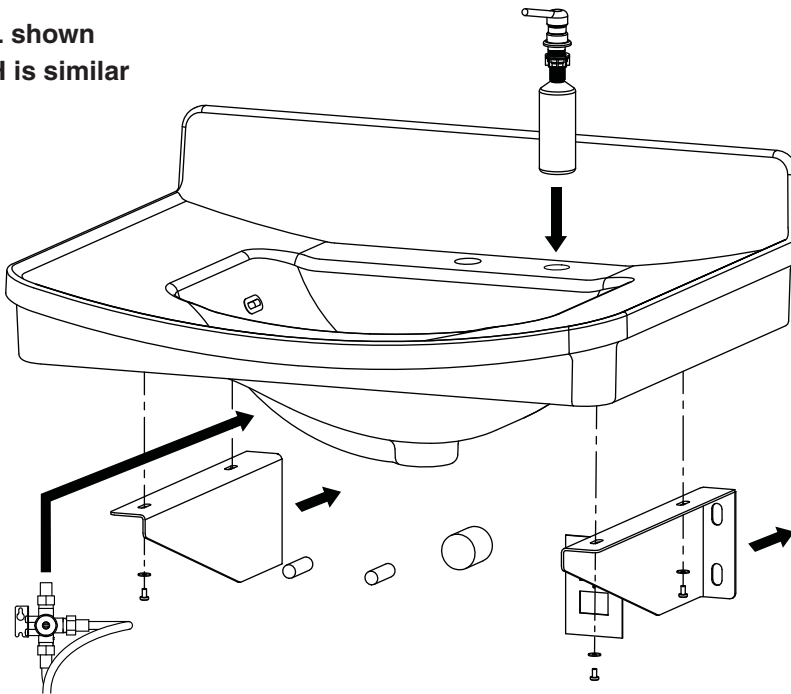
Recommended 240v/208v or 277v electrical rough-in location (approx. 3" x 6")


CODE	DESCRIPTION	QTY.
A	3/8" Lav Deck Anchors with a Minimum Pull-Out Force of 1,000 lbs.	4
B	#10 Wall Anchors/Fasteners for Mounting Trap/Transition Covers	2
H, C	1/2" NPT Hot/Cold Supplies, Stub-Out 2" From Wall	1
D	#10 Wall Anchors/Fasteners for Valve Mounting	2
E	110v GFI Protected Electrical Outlet	1
W	1-1/2" NPT Drain, Stub-Out 2" from Wall	1

RIM HEIGHT	VERTICAL HEIGHT ADJUSTMENTS FOR CODES A-E, H, C and W	FIXTURE STYLE
34"	None	Standard Height
32"	Subtract 2"	TAS, Grades 6 through 8 or 9
31"	Subtract 3"	TAS, Pre-K through Grades 5 or 6
30"	Subtract 4"	Juvenile Height

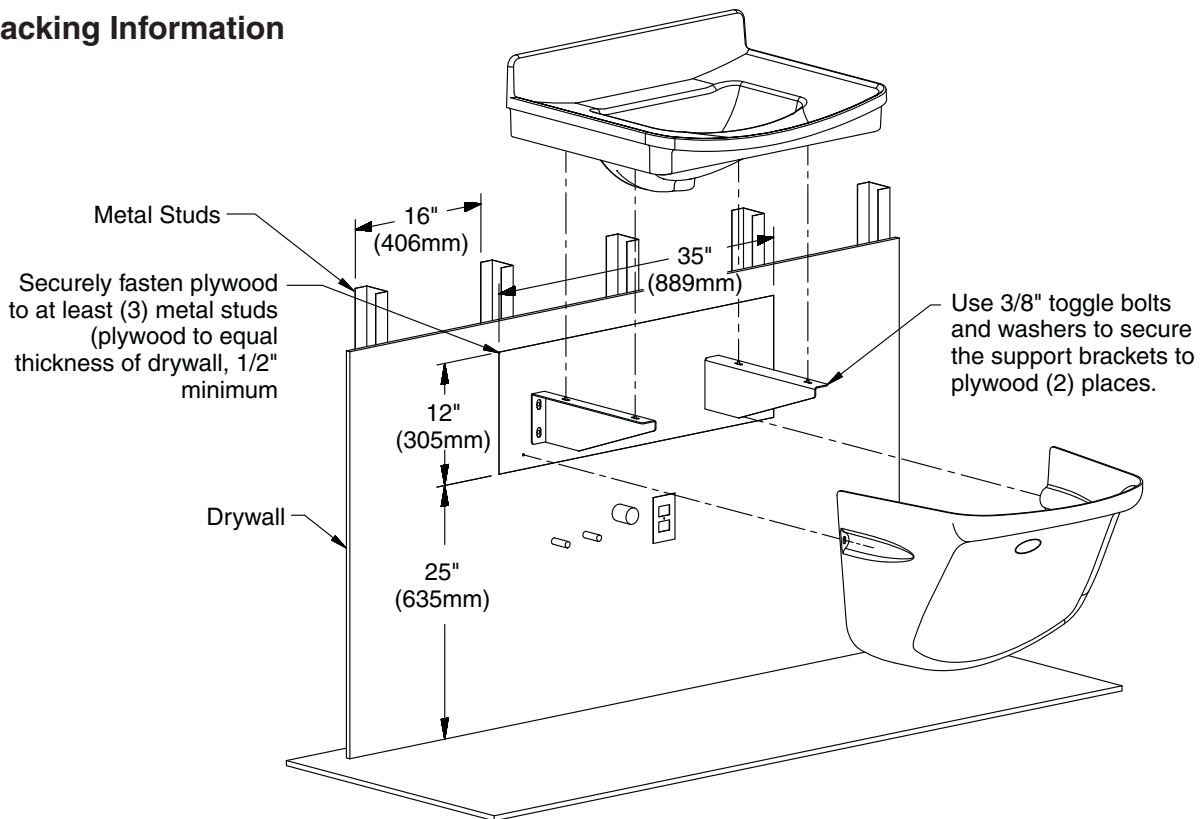
## 2 Lavatory Deck

FL-1L shown  
FL-1H is similar

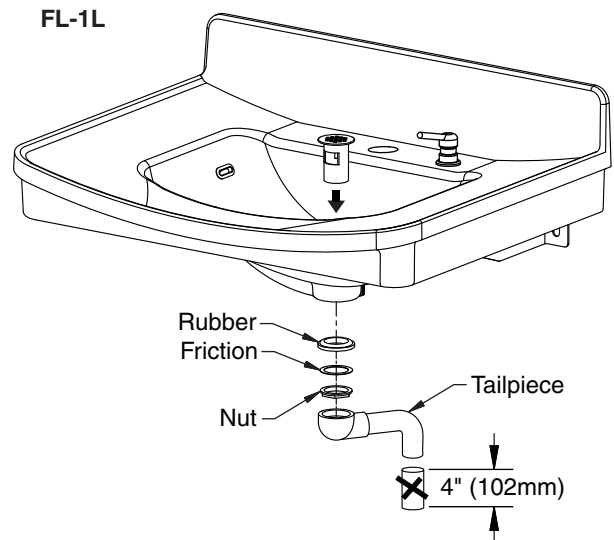
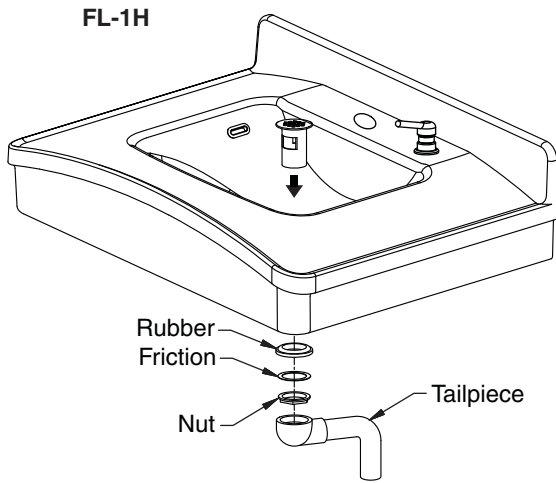


- Refer to the rough-ins to determine wall-mounting location for optional mixing valve.
- Installer may prefer to install the faucet before mounting the fixture to the wall. Refer to page 8 for faucet installation details.
-  If necessary, adjust the fixture height **before** securing to the support brackets.

### Backing Information



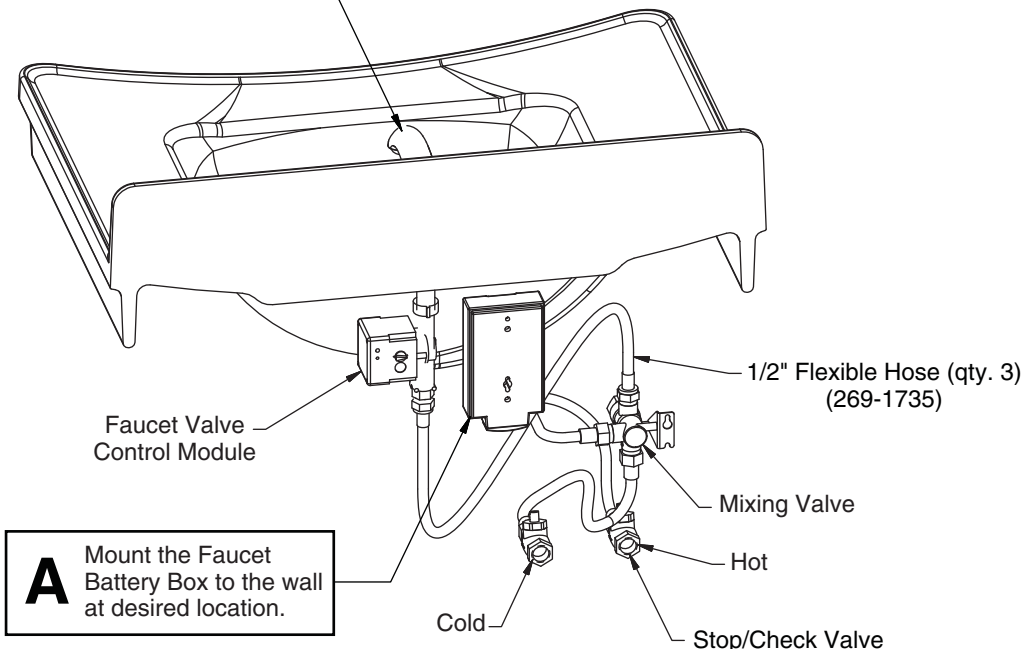
**3 Drain and Tailpiece**



**4 Faucet Battery Box**

FL-1L shown  
FL-1H is similar

**B** Install the faucet according to manufacturer's instructions

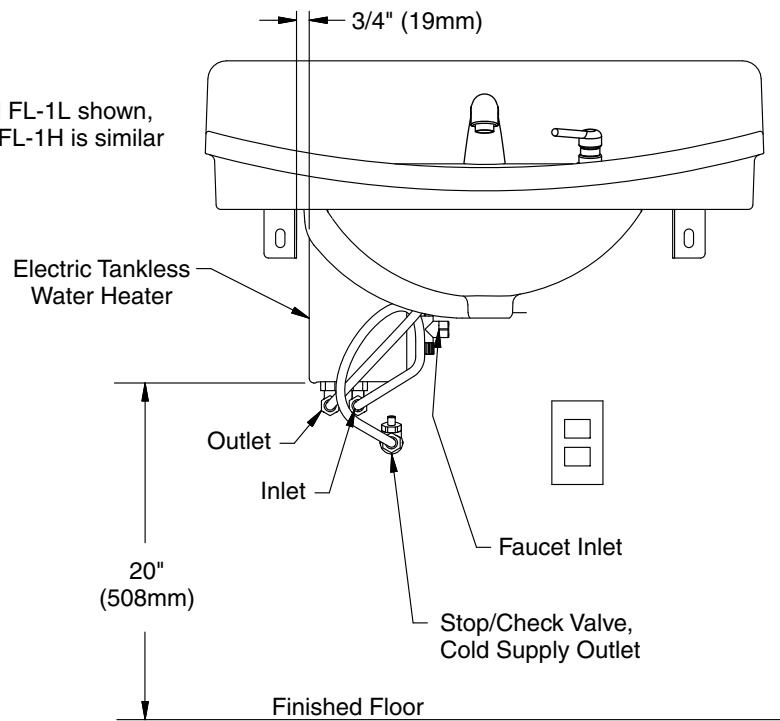


**A** Mount the Faucet Battery Box to the wall at desired location.

**5 Optional Tankless Water Heater**

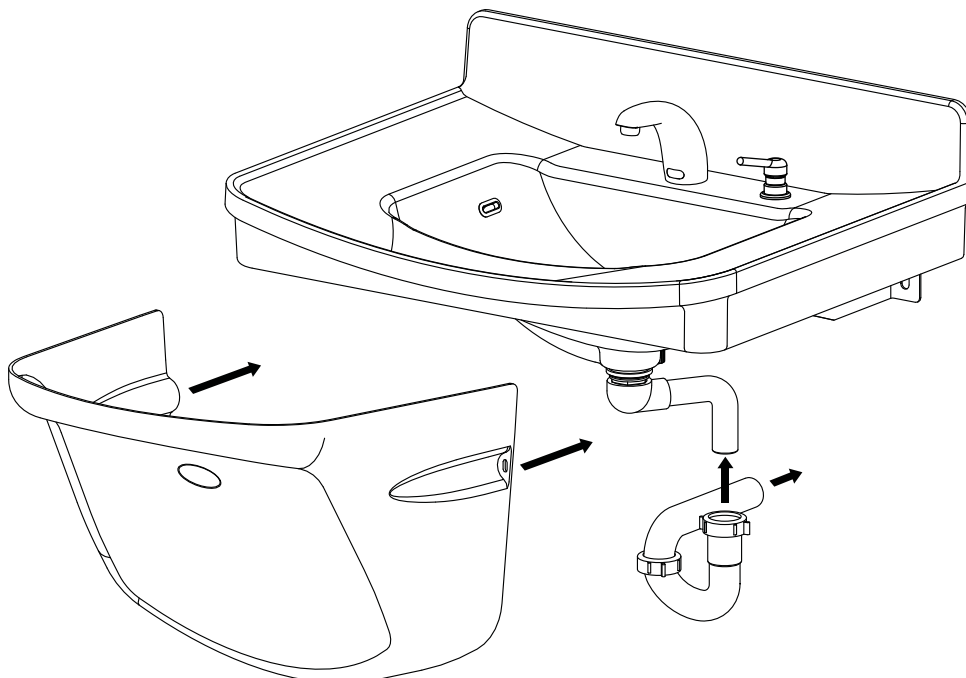
**FL-1L shown  
FL-1H is similar**

Model FL-1L shown,  
Model FL-1H is similar



**6 P-Trap and Trap Cover**

**FL-1L shown  
FL-1H is similar**





## Free Manuals Download Website

<http://myh66.com>

<http://usermanuals.us>

<http://www.somanuals.com>

<http://www.4manuals.cc>

<http://www.manual-lib.com>

<http://www.404manual.com>

<http://www.luxmanual.com>

<http://aubethermostatmanual.com>

Golf course search by state

<http://golfingnear.com>

Email search by domain

<http://emailbydomain.com>

Auto manuals search

<http://auto.somanuals.com>

TV manuals search

<http://tv.somanuals.com>