

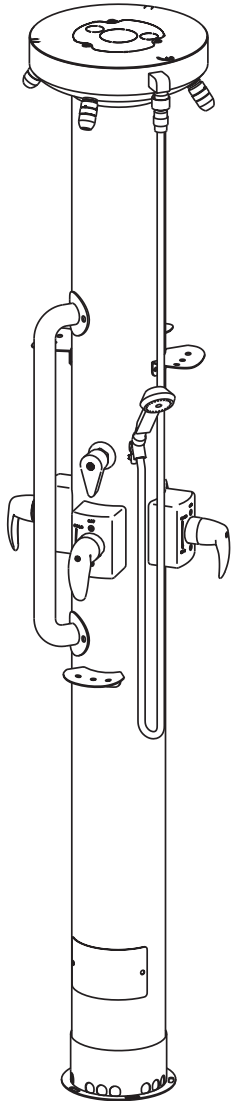
---

# Installation Instructions

---

## HN-400

## Barrier-Free Column Shower



### Table of Contents

Pre-Installation Information .....	2
HN-200 Column Shower Components and Dimensions .....	2
Installation Instructions	
Type A Column Shower .....	3
Supplies from Below/Vent Off Line	
Type B Column Shower Installation .....	4
Supplies from Above/Vent Through Column	
Type H Column Shower Installation .....	5
Supplies from Below/Vent Through Column	
Type O Column Shower Installation .....	6
Supplies from Above/Vent Off Line	
Optional Shroud Installation .....	7
Cleaning Instructions .....	9
Warranty .....	9



### **IMPORTANT:**

**Before beginning installation, all supply, drain and waste piping to the shower must be completed according to the rough-ins received with the drain assembly.**

**Check the local codes and ordinances in your area for proper location and connection requirements. Conformity to local codes is the responsibility of the installer.**

**Read and save this installation manual, which contains maintenance and repair information, for future reference.**



## Pre-Installation Information

### Overview

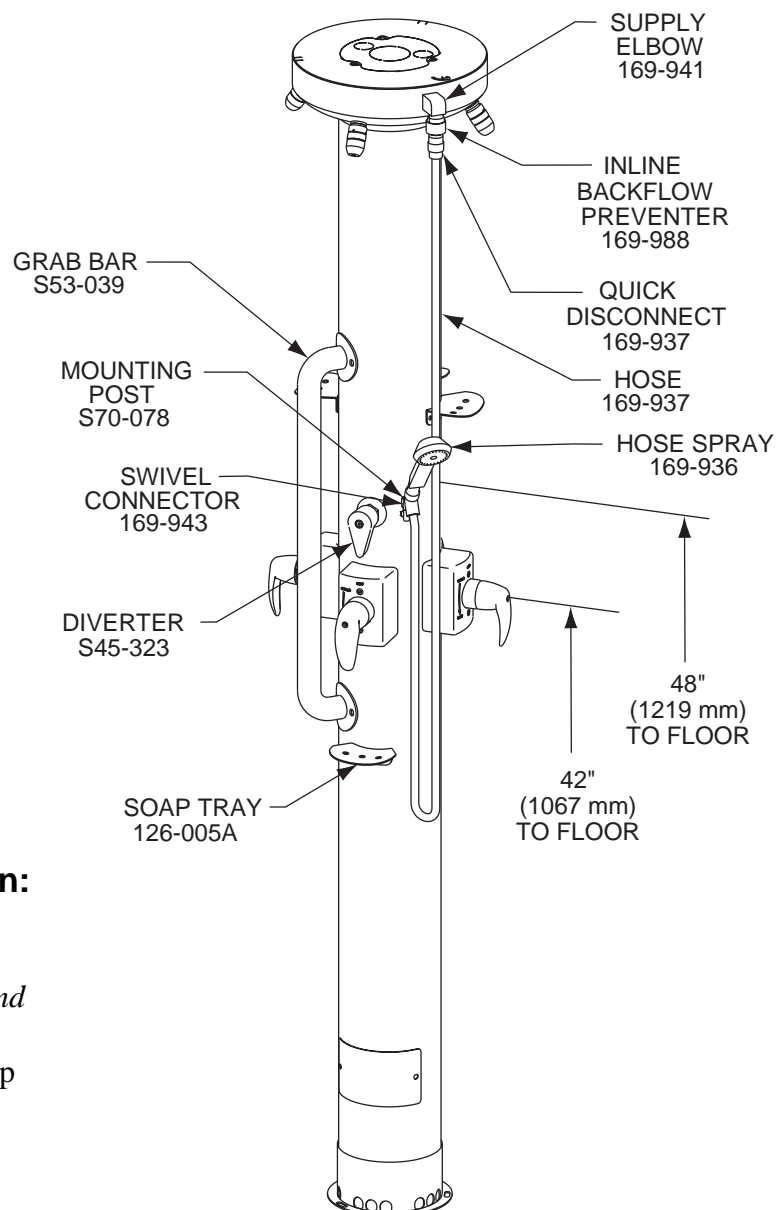
The Bradley HN-400 Barrier-Free Column Shower features one station that is adapted for use by the handicapped. Valve and showerhead height for all wash stations, including the handicapped station, measures 42" (1067 mm).

### Components

**Material:** Column showers are constructed of 16-gauge, type 304 stainless steel. The base flange is 14-gauge stainless steel. All exposed stainless steel parts are #4 finish. Exterior brass components are polished and chrome-plated.

**Handicapped Station:** The handicapped station includes a grab bar, diverter valve, hand-held shower with bracket, in-line backflow preventer, and quick disconnect (see shower components and dimensions shown below).

## HN-400 Column Shower Components and Dimensions



### Supplies required for installation:

- Supply piping to column's 3/4" type "L" copper tubing
- 2" NPT vent pipe (for type B and type H drains only)
- (5) 5/16" screws (for shroud slip ring installation)

## Installation Instructions for Type A HN-400 Column Shower

### Step 1: Install column shower components

*NOTE: Flush supply lines before making connections.*

1. Remove the five bolts that secure the disposable washer to the drain and lift the disposable washer off.
2. Bolt the column shower to the drain with the five bolts (removed in procedure #1) and oval washers provided (see Figure 1).

### Step 2: Connect water supply

1. Remove the two 1/4"-20 screws from the access panel on the lower body of the column shower and lift the panel off.
2. Through the access opening, connect water supplies to the shower's 3/4" copper tubing as shown in Figure 2 (piping supplied by installer).
3. Turn on water to the shower and test for leaks and adequate water flow.
4. Replace the access panel onto the shower with 1/4"-20 screws provided.

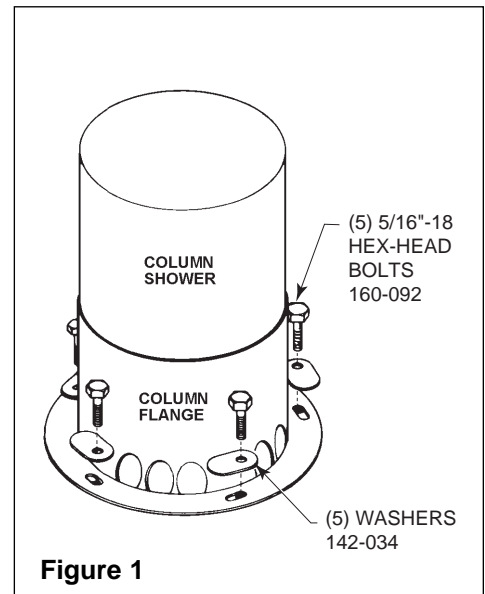


Figure 1

*NOTE: For column shower drains with a dome grate drain, install the two halves of the grate with the screws provided after the column installation is complete.*

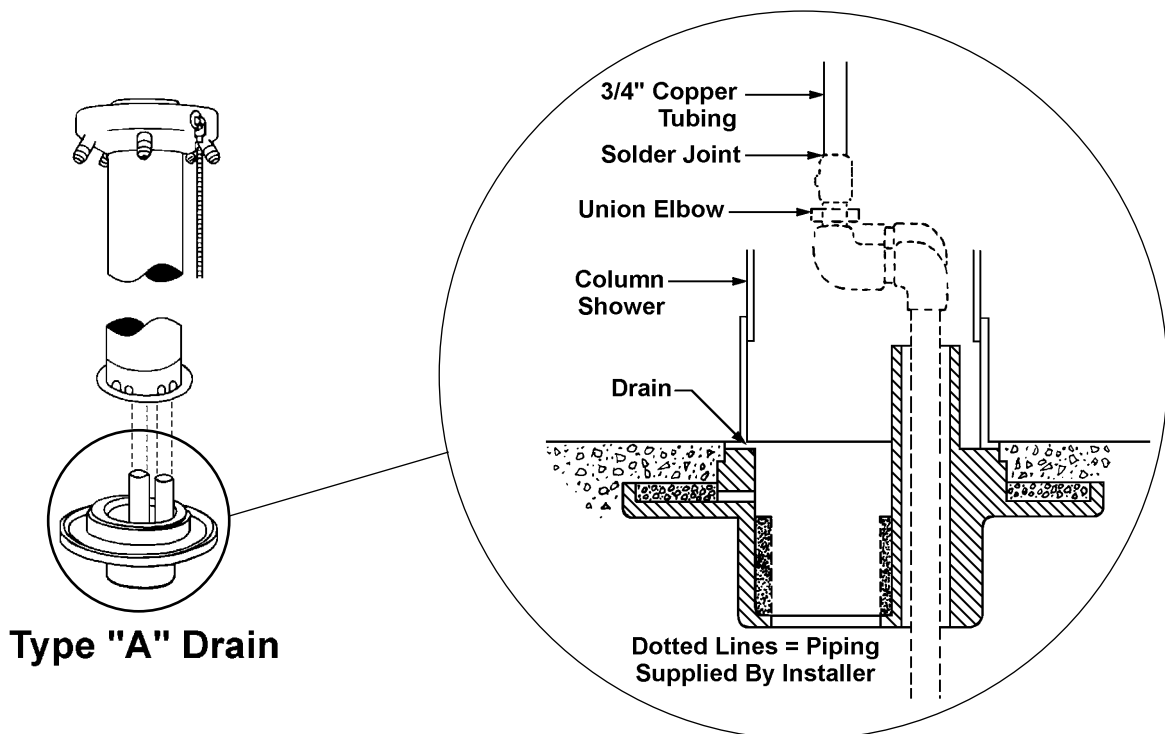


Figure 2

Supplies from Below/Vent Off Line

## Installation Instructions for Type B HN-400 Column Shower

### Step 1: Install column shower components

*NOTE: Flush supply lines before making connections.*

1. Remove the five bolts that secure the disposable washer to the drain and lift the washer off.
2. Loosen the screw(s) securing the shower cover and lift the cover off. **DO NOT** remove the screw(s)!
3. Insert a 2" NPT vent pipe (supplied by installer) into the shower.

*NOTE: Make sure that vent pipe does not snag internal wiring or come in contact with electronic components.*

4. Position the shower over the drain and screw the 2" NPT vent pipe into the vent connection (see Figure 4).
5. Bolt the shower to the drain with the five bolts (removed in procedure #1) and oval washers provided (see Figure 1).

### Step 2: Connect water supply

1. Drop the supplies to the top of the column shower.
2. Slide the column cover up the vent and supply piping.

*NOTE: If you are installing a column shroud, slide the slip ring up the vent and supply piping first, and then slide the column cover up (see page 7 for shroud installation).*

3. Make supply connections. Supply connection must be made inside the top of the shower so that there is no interference with the piping and the column cover.
4. Turn on water to the shower and test for leaks and adequate water flow.
5. Secure the column cover with the screws provided.

*NOTE: For column shower drains with a dome grate drain, install the two halves of grate with the screws provided after column installation is complete.*

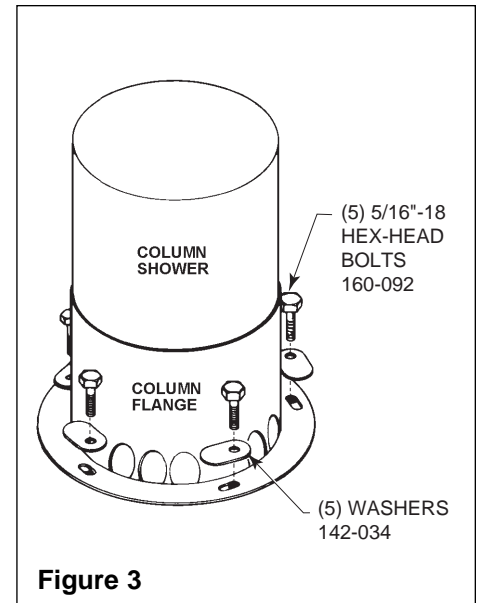
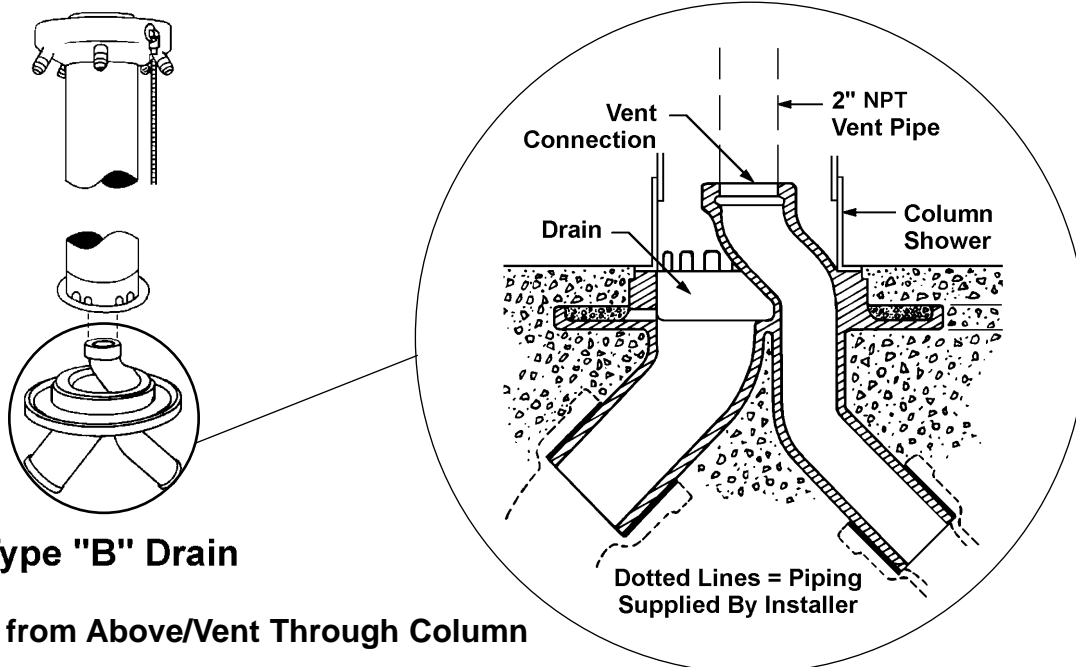


Figure 3



Type "B" Drain

Supplies from Above/Vent Through Column

Figure 4

## Installation Instructions for Type H HN-400 Column Shower

### Step 1: Install column shower components

*NOTE: Flush supply lines before making connections.*

1. Remove the five bolts that secure the disposable washer to the drain and lift the washer off.
2. Loosen the screw(s) securing the shower's cover and lift the cover off. **DO NOT** remove the screw(s)!
3. Insert a 2" NPT vent pipe (supplied by installer) into the shower.

*NOTE: Make sure that the vent pipe does not snag internal wiring or come in contact with the electronic components.*

4. Position the shower over the drain and screw the 2" NPT vent pipe into the vent connection (see Figure 6).
5. Bolt the shower to the drain with the five bolts (removed in procedure #1) and oval washers provided (see Figure 5).

### Step 2: Connect water supply

1. Remove the two 1/4"-20 screws from access panel on lower body of column shower and lift panel off.
2. Through access opening, connect water supplies to the shower's 3/4" copper tubing as shown in Figure 6 (piping supplied by installer).
3. Slide column cover over vent.

*NOTE: If you are installing a column shroud, slide the slip ring up the vent and supply piping first, and then slide column cover up (see page 7 for shroud installation).*

4. Turn on water to the shower and test for leaks and adequate water flow.
5. Replace access panel onto shower with the 1/4"-20 screws provided.

*NOTE: For column shower drains with a dome grate, install the two halves of grate with the screws provided after the column installation is complete.*

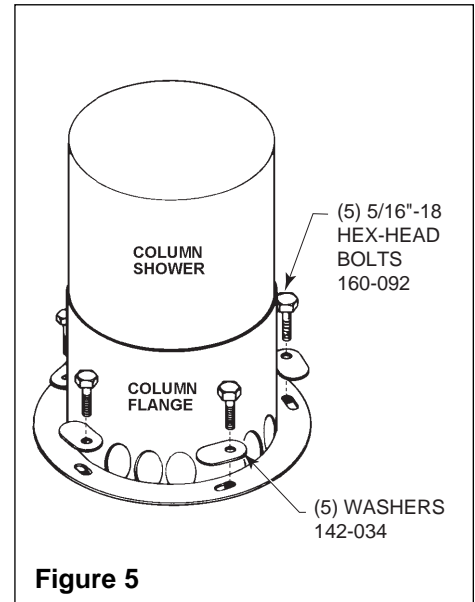


Figure 5

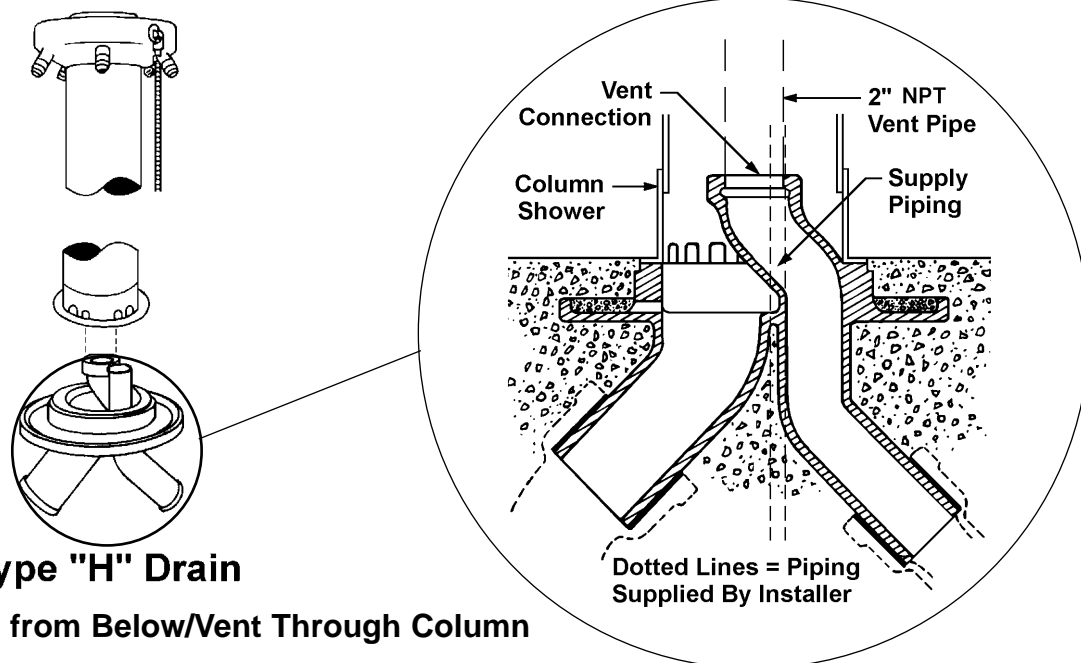


Figure 6

**Type "H" Drain**

**Supplies from Below/Vent Through Column**

## Installation Instructions for Type O HN-400 Column Shower

### Step 1: Install column shower components

*NOTE: Flush supply lines before making connections.*

1. Remove the five bolts that secure the disposable washer to the drain and lift the washer off.
2. Bolt the shower to the drain with the five bolts (removed in procedure #1) and oval washers provided (see Figure 7).
3. Loosen the screw(s) securing the shower's cover and lift the cover off. DO NOT remove the screw(s)!

### Step 2: Connect water supply

1. Drop the supplies to the top of the column shower.
2. Slide the column cover up the vent and supply piping.

*NOTE: If you are installing a column shroud, slide the slip ring up the vent and supply piping first, and then slide the column cover up (see page 7 for shroud installation).*

3. Make the supply connections. The supply connection must be made inside the top of the shower so that there is no interference with the piping and the column cover.
4. Turn water to the shower on and test for leaks and adequate water flow.
5. Secure the column cover with the screws provided.

*NOTE: For column shower drains with a dome grate, install the two halves of the grate with the screws provided after the column installation is complete.*

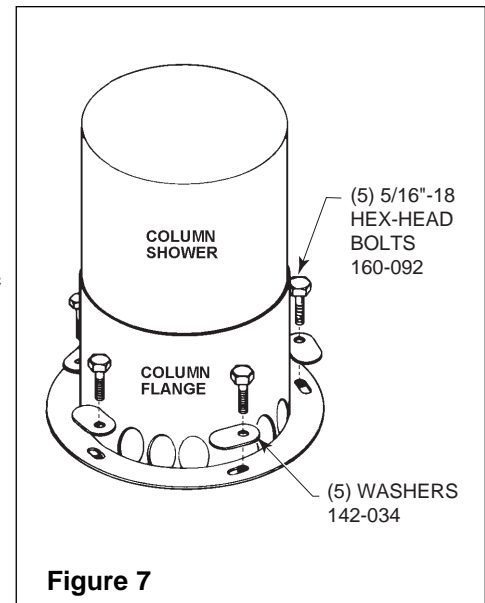


Figure 7

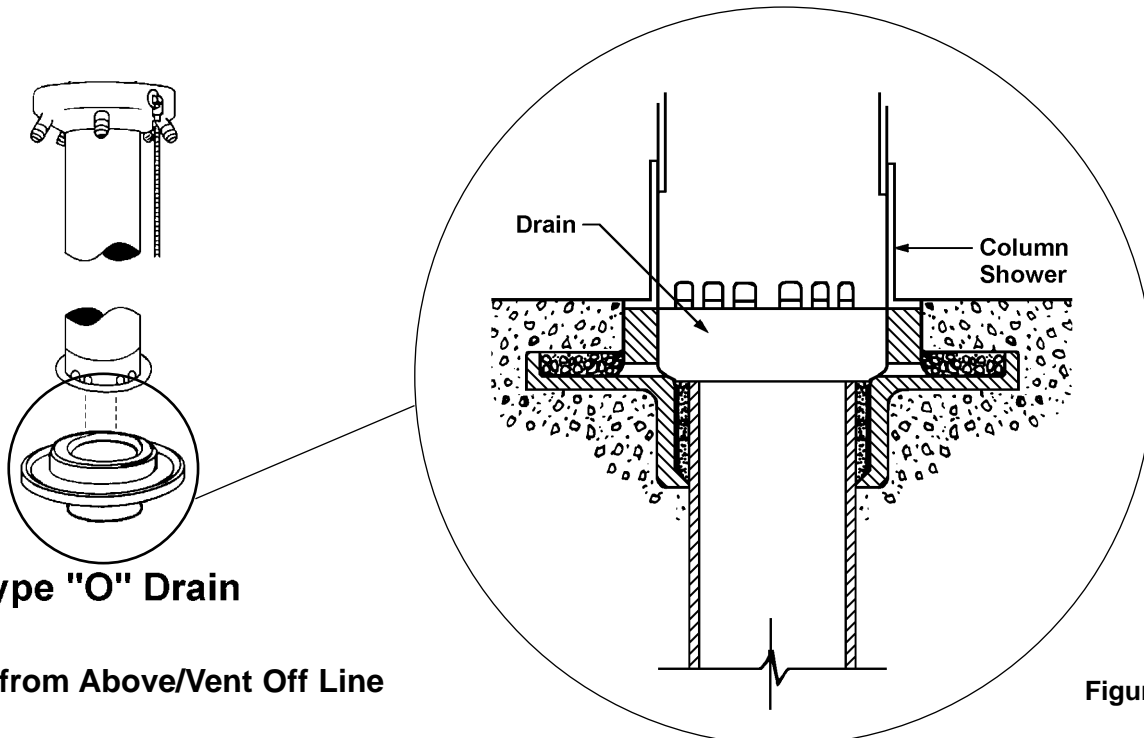


Figure 8

## Installation Instructions for Optional Column Shower Shroud

*NOTE: The column shower must be installed before the shroud. The shroud clips and knock-outs in the column cover must also be prepared. Before making the supply connections, slide the shroud slip ring up the vent and supply piping.*

**⚠ IMPORTANT:** If the shroud is longer than 48" (it has a welded seam rather than a snap together hem) it must also be slid up the vent and supply piping.

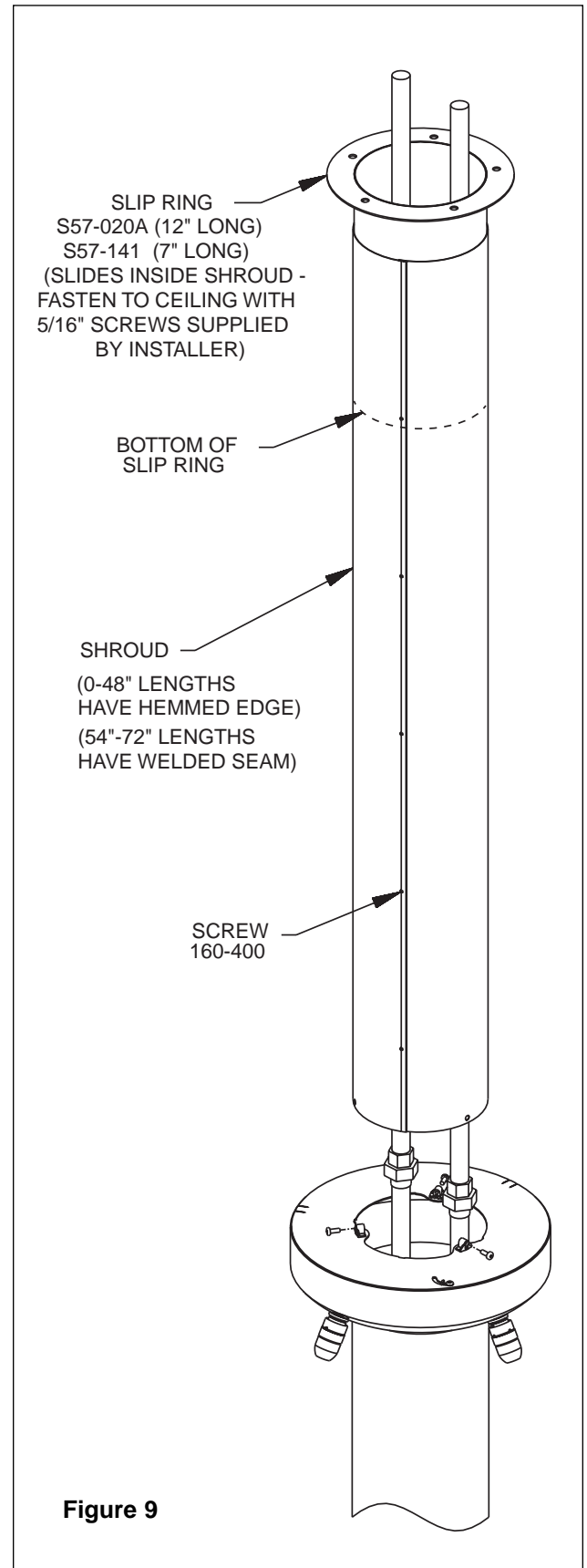
*If the supply connections are completed prior to the shroud installation, the supplies will have to be disconnected in order to slide the slip ring (and shroud if over 48" long) over the vent and piping.*

### Step 3: Preparing the Column Cover

1. Remove the column cover from the top of the shower by loosening the screw(s) that secures the column cover retainer.
2. Carefully remove the necessary knock-outs from the cover (see Figure 11).
3. Insert the three shroud clips into the locations shown in Figure 11. Snap the clips in place using a flat blade screwdriver.
4. Reassemble the cover on shower and proceed with remainder of installation.

### Step 4: Complete the Installation

1. Make sure the slip ring (and shroud if required) is in place over the vent and supply piping.
2. Fasten the slip ring to the ceiling with five 5/16" diameter screws (supplied by installer) (see Figure 10 for screw location dimensions).
3. Bring the shroud seam around the vent and supply piping and slide the shroud together (0-48" long shrouds only). Fasten hem together using the supplied #6-32 screws.
4. With the column cover in place and the supply connections made, lower the shroud and fasten to the column cover with the #10-24 screws provided (see Figures 9 and 11).





## Installation Instructions .....continued

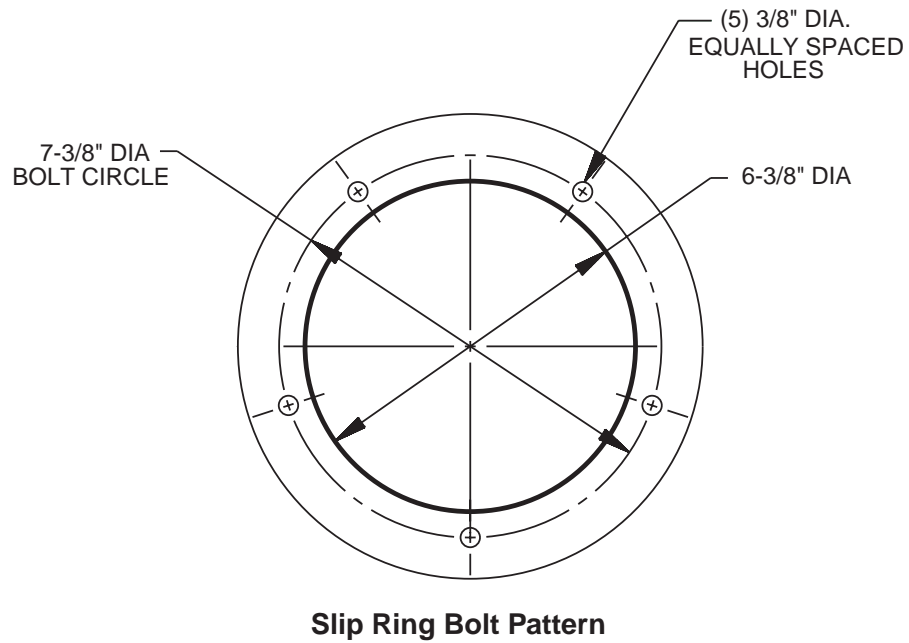


Figure 10

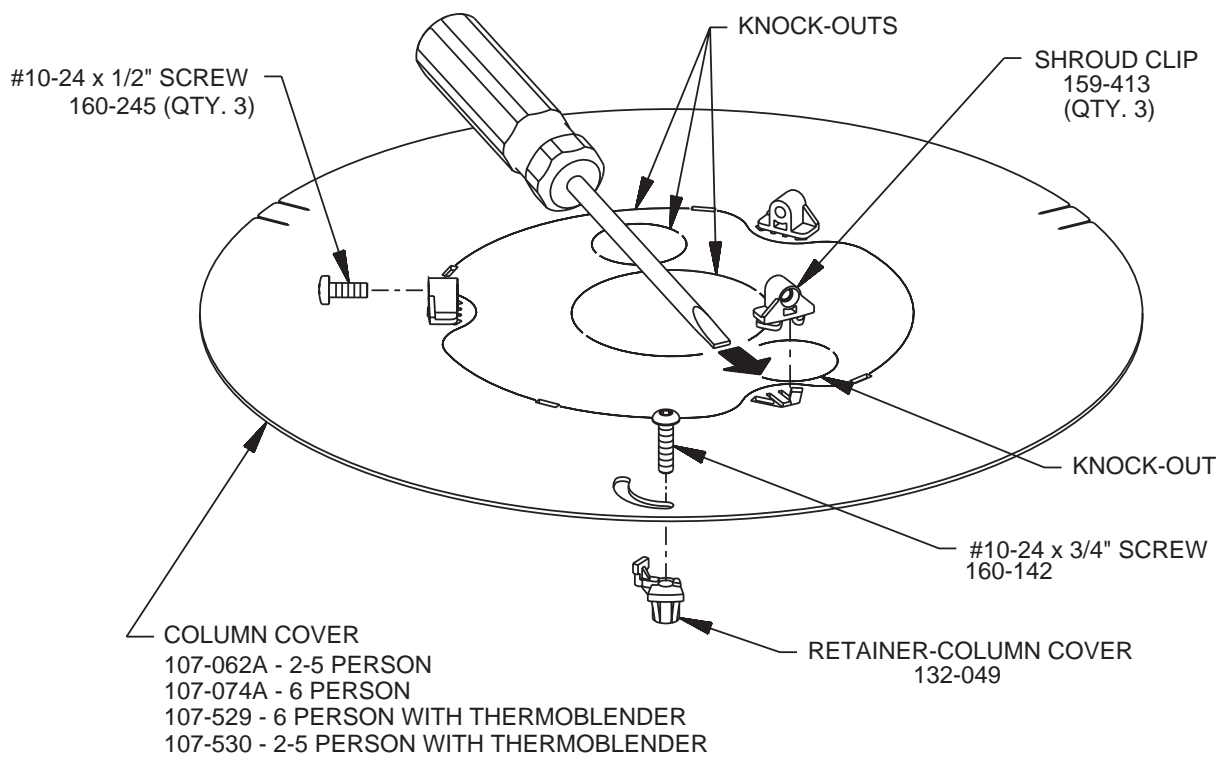


Figure 11



## Cleaning Instructions

**⚠ IMPORTANT: Cleanliness is of utmost importance. Do not permit salty solutions to evaporate and dry on stainless steel. Never use ordinary steel wool or steel brushes on stainless steel. Always use stainless steel wool or stainless steel brushes.**

1. Remove ordinary deposits of dirt and grease with soap and water. Whenever possible, the metal should be thoroughly rinsed and dried after washing.
2. Use stainless steel polishing powder to get rid of tightly adhering deposits.
3. Look for the source of the rust in some iron or steel not actually a part of the stainless steel structure. Sometimes the appearance of rust streaks on stainless steel leads to the belief that the stainless steel is rusting. A steel nail or screw may be the cause of the trouble.
4. If the showerhead delivers an uneven spray, remove the showerhead from the unit, disassemble, and remove foreign matter.
5. Reassemble showerhead and reinstall into unit.

### HN-400 Column Shower Warranty

Bradley Corporation warrants to commercial and institutional purchasers only each unit free from defects in material and workmanship under normal use and service upon the following terms and conditions:

1. This warranty is limited to replacing or repairing, at our option, transportation charges prepaid by the purchaser, any Bradley unit or part thereof which our inspection shall show to have been defective within the limitations of this warranty.
2. The period during which Column Shower components are warranted is one (1) year, measured from the date of our invoice.
3. This warranty does not cover installation or any other labor charges and does not apply to any units which have been damaged by accident, abuse, improper installation or improper maintenance.
4. The replacement or repair of defective units as stated in this warranty shall constitute the sole remedy of the purchaser and the sole liability of Bradley Corporation under this warranty. Bradley Corporation shall not otherwise be liable under any circumstances for incidental, consequential or indirect damages caused by defects in the repair or replacement thereof.
5. This warranty extends only to commercial and institutional purchasers and does not extend to any others, including consumer customers of commercial and institutional purchasers.
6. This warranty is in lieu of all other warranties, express or implied, including any implied warranty of merchantability or fitness for a particular purpose or otherwise.

## Free Manuals Download Website

<http://myh66.com>

<http://usermanuals.us>

<http://www.somanuals.com>

<http://www.4manuals.cc>

<http://www.manual-lib.com>

<http://www.404manual.com>

<http://www.luxmanual.com>

<http://aubethermostatmanual.com>

Golf course search by state

<http://golfingnear.com>

Email search by domain

<http://emailbydomain.com>

Auto manuals search

<http://auto.somanuals.com>

TV manuals search

<http://tv.somanuals.com>