



Figure 1a

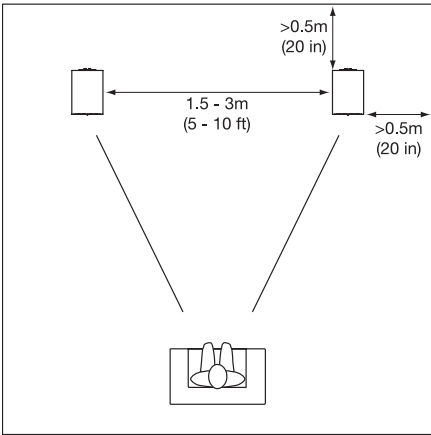


Figure 1b

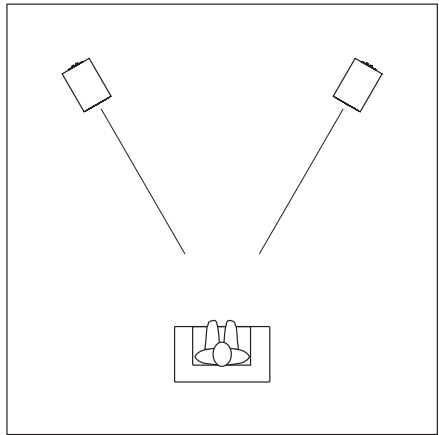


Figure 2a

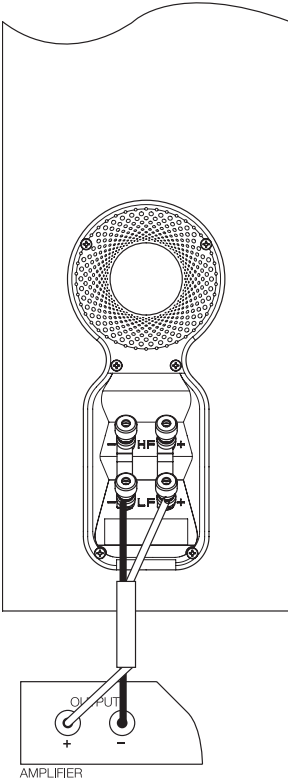


Figure 2b

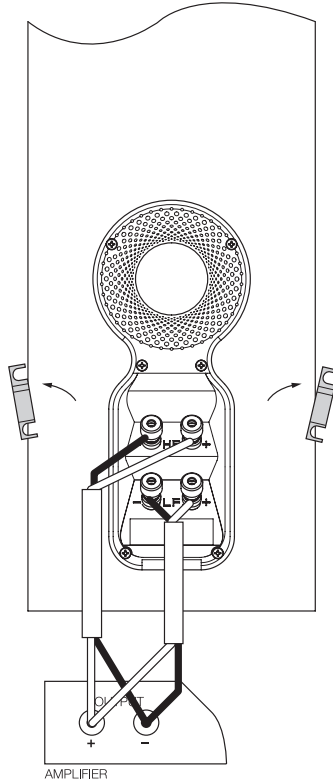


Figure 3a

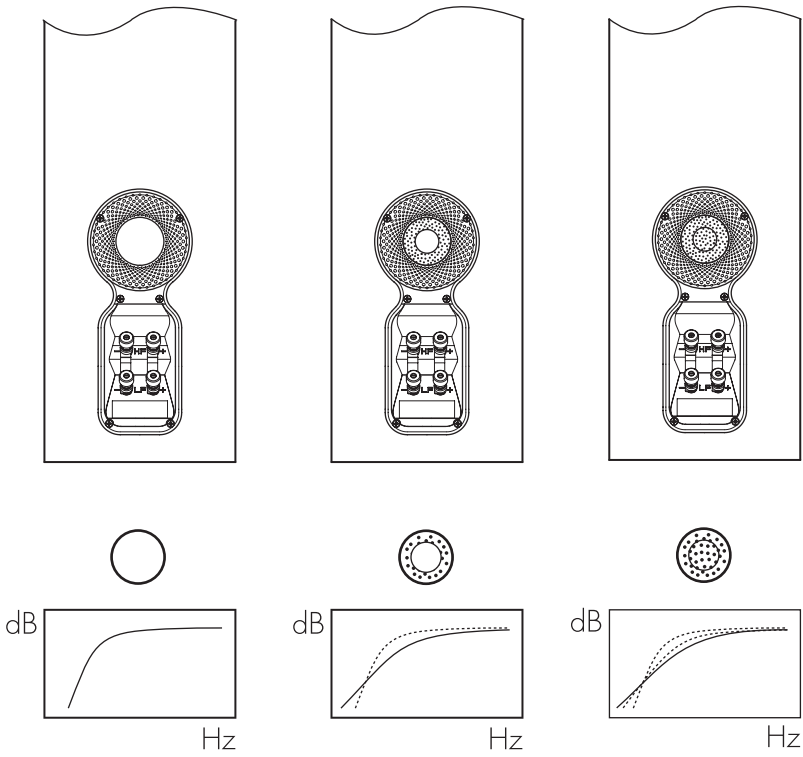
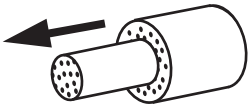


Figure 3b



# Contents

## English

Owner's Manual.....	2
Limited Warranty.....	3

## Français

Manuel d'utilisation.....	4
Garantie limitée.....	6

## Deutsch

Bedienungsanleitung.....	7
Garantie .....	9

## Español

Manual de instrucciones .....	10
Garantía limitada.....	12

## Português

Manual do utilizador....	13
Garantia limitada.....	15

## Italiano

Manuale di istruzioni ...	16
Garanzia limitata .....	17

## Nederlands

Handleiding .....	18
Garantie .....	20

## Ελληνικά

Οδηγίες Χρήσεως ....	21
Περιορισμένη εγγύηση .....	23

## Русский

Руководство по эксплуатации .....	24
Ограниченная гарантия.....	26

## Česky

Návod k použití.....	27
Záruka .....	28

## Magyar

Használati útmutató ...	29
Korlátozott garancia ..	31

## Polski

Instrukcja użytkownika .....	32
Gwarancja .....	34

## 日本語

取扱説明書 .....	35
有限保証 .....	36

## 中文

用户手册 .....	37
有限保修 .....	38

EU Declaration of Conformity.....	43
-----------------------------------	----

Technical Specifications .....	44
--------------------------------	----

# English

## Owner's manual

Dear Customer,

Thank you for choosing B&W. Please read this manual fully before unpacking and installing the product. It will help you to optimise its performance. B&W maintains a network of dedicated distributors in over 60 countries who will be able to help you should you have any problems your dealer cannot resolve.

### Environmental Information



All B&W products are designed to comply with international directives on the Restriction of Hazardous Substances

(RoHS) in electrical and electronic equipment and the disposal of Waste Electrical and Electronic Equipment (WEEE). These symbols indicate compliance and that the products must be appropriately recycled or processed in accordance with these directives. Consult your local waste disposal authority for guidance.

### Carton Contents

Check in the carton for:

- 1 Foam plug
- 1 Accessory pack containing:
  - 4 M6 spike feet
  - 4 Rubber feet
  - 4 Lock nuts (10mm across flats)

### Speaker Installation

The speakers are intended to be floor mounted only. It is important to ensure that the speakers stand firmly on the floor using the spike feet supplied whenever possible. The spike feet are designed to pierce carpet and rest on the floor surface. Initially, screw the lock nuts onto the spikes enough to leave the nuts floating just above the carpet when the spikes are resting on the floor beneath. Screw the spikes fully into the threaded inserts in the base of the cabinet. If the cabinet rocks when placed on the floor, unscrew the two spikes that do not touch the floor until the cabinet rests firmly without rocking. Finally, lock the nuts against the cabinet. It may be more convenient to fit and adjust the spike feet after speaker positioning has been optimised.

If there is no carpet and you wish to avoid scratching the floor surface, use either a protective metal disc (a coin perhaps) between the spike and the floor, or use the supplied rubber feet. Fit the rubber feet and level the cabinet in the same manner as with the spike feet.

### Speaker Positioning

Adjustment of speaker position following initial installation will probably further improve the sound quality and is usually worthwhile.

In either stereo or home theatre installations, try to ensure that the immediate surroundings of each speaker are similar in acoustic character. For example, if one speaker is adjacent to bare walls while the other is adjacent to soft furnishings and curtains, both the

overall sound quality and the stereo image are likely to be compromised.

### Conventional Stereo Systems

To begin with, the speakers should be positioned between 1.5m and 3m apart at two corners of an equilateral triangle completed by the listening area at the third corner. The speakers should be approximately 0.5m away from the back wall, and at least 0.5m away from any side walls. Figure 1a illustrates this arrangement.

### Home Theatre Systems

If the speakers are to be used for the front channels in a home theatre system, they should be placed closer together than for 2-channel audio, because the surround channels tend to widen the image. Positioning the speakers within approximately 0.5m of the sides of the screen will also help keep the sound image in scale with the visual image. As with conventional stereo positioning, the speakers should ideally be approximately 0.5m away from the back wall, and at least 0.5m away from any side walls.

### Stray Magnetic Fields

The speaker drive units create stray magnetic fields that extend beyond the boundaries of the cabinet. We recommend you keep magnetically sensitive articles (CRT television and computer screens, computer discs, audio and video tapes, swipe cards and the like) at least 0.5m from the speaker. LCD and plasma screens are not affected by magnetic fields.

### Connections

All connections should be made with the equipment switched off.

There are 2 linked pairs of terminals on the back of the speaker. For conventional connection, the terminal links should remain in place (as delivered) and just one pair of terminals connected to the amplifier. For bi-wire connection, the terminal links should be removed and each pair of terminals connected to the amplifier independently. Bi-wiring can improve the resolution of low-level detail. Figures 2a and 2b illustrate conventional and bi-wire connection.

Ensure that the positive terminals on the speaker (marked + and coloured red) are connected to the positive output terminal on the amplifier and the negative terminals on the speaker (marked - and coloured black) are connected to the negative output terminal on the amplifier. Incorrect connection can result in poor imaging and loss of bass.

Ask your dealer for advice when selecting speaker cable. Keep its total impedance below the maximum recommended in the speaker specification and use a low inductance cable to avoid attenuation of high frequencies.

### Fine Tuning

Before fine tuning, make sure that all the connections in the installation are correct and secure.

Moving the speakers further from the walls will generally reduce the volume of bass. Space behind

the speakers will also help to create an aural impression of depth. Conversely, moving the speakers closer to the walls will increase the volume of bass. If you want to reduce the volume of bass without moving the speakers further from the wall, fit the foam plugs in the port tubes as illustrated in Figure 3.

If the bass seems uneven with frequency this will most probably be due to resonance modes in the listening room. Even small changes in the position of the speakers or the listening position can have a profound effect on how these resonances affect the sound. Try moving the listening position or locating the speakers along a different wall. The presence and position of large pieces of furniture can also influence resonance modes.

If the central image lacks focus, try moving the speakers closer together or angling them inward so that they point at a location just in front of the listening position. Figure 1b illustrates speakers angled inwards.

If the sound is too bright, increasing the amount of soft furnishing in the room (heavier curtains for example) may help balance the sound. Conversely, reducing the amount of soft furnishing may help brighten a dull sound.

Some rooms suffer from "flutter echoes" – echoes that "bounce" between parallel room boundaries. Flutter echoes can colour the sound of the speakers in the room. Test for flutter echoes by standing in the middle of the room and clapping your hands. Flutter echoes can be reduced by placing irregular shaped items or non-reflective surfaces, bookshelves, rugs or pictures for example, on one of the offending walls or floor.

Ensure that the speaker stands firmly on the floor. Use carpet piercing spikes if appropriate and adjust them to take up any unevenness.

### Running-in Period

The performance of the speaker will change subtly during the initial listening period. If the speaker has been stored in a cold environment, the damping compounds and suspension materials of the drive units will take some time to recover their correct mechanical properties. The drive unit suspensions will also loosen up during the first hours of use. The time taken for the speaker to achieve its intended performance will vary depending on previous storage conditions and how it is used. As a guide, allow up to a week for the temperature effects to stabilise and 15 hours of average use for the mechanical parts to attain their intended design characteristics.

However, longer run-in periods (as long as a month) have been reported and there is evidence to suggest that this has little to do with the speaker changing and more to do with the listener getting used to the new sound. This is especially so with highly revealing speakers such as these, where there may be a significant increase in the amount of detail compared with what the listener has previously been used to; the sound may at first appear too "up front" and perhaps a little hard. After an extended period of time, the sound will seem to mellow, but without losing clarity and detail.

### Aftercare

The cabinet surfaces usually only require dusting. If you wish to use an aerosol or other cleaner, remove the grille first by gently pulling it away from the cabinet. Spray aerosols onto the cleaning cloth, not directly onto the product. Test a small area first, as some cleaning products may damage some of the surfaces. Avoid products that are abrasive, or contain acid, alkali or anti-bacterial agents. Do not use cleaning agents on the drive units. The grille fabric may be cleaned with a normal clothes brush whilst the grille is detached from the cabinet. Avoid touching the drive units, especially the tweeter, as damage may result.

We have chosen the finest wood veneers for the surface of the cabinet, but please be aware that, like all natural materials, the veneer will respond to its environment. Keep the product away from sources of direct heat such as radiators and warm air vents to avoid the risk of cracking. The wood is treated with an ultra-violet resistant lacquer to minimise changes in colour over time, but a degree of change is to be expected. This effect may be particularly noticeable where the area covered by the grille, or areas kept in shadow, change more slowly than other areas. Colour differences may be rectified by exposing all the veneer surfaces equally and evenly to sunlight until the colour is uniform. This process can take several days or even weeks, but may be accelerated by careful use of an ultra-violet lamp.

## Limited Warranty

This product has been designed and manufactured to the highest quality standards. However, if something does go wrong with this product, B&W Group Ltd. and its national distributors warrant free of charge labour (exclusion may apply) and replacement parts in any country served by an official B&W distributor.

This limited warranty is valid for a period of five years from the date of purchase or two years for electronics including amplified loudspeakers.

### Terms and Conditions

- 1 The warranty is limited to the repair of the equipment. Neither transportation, nor any other costs, nor any risk for removal, transportation and installation of products is covered by this warranty.
- 2 This warranty is only valid for the original owner. It is not transferable.
- 3 This warranty will not be applicable in cases other than defects in materials and/or workmanship at the time of purchase and will not be applicable:
  - a. for damages caused by incorrect installation, connection or packing,
  - b. for damages caused by any use other than correct use described in the user manual, negligence, modifications, or use of parts that are not made or authorised by B&W,

- c. for damages caused by faulty or unsuitable ancillary equipment,
  - d. for damages caused by accidents, lightning, water, fire heat, war, public disturbances or any other cause beyond the reasonable control of B&W and its appointed distributors,
  - e. for products whose serial number has been altered, deleted, removed or made illegible,
  - f. if repairs or modifications have been executed by an unauthorised person.
- 4 This guarantee complements any national/regional law obligations of dealers or national distributors and does not affect your statutory rights as a customer.

### How to claim repairs under warranty

Should service be required, please follow the following procedure:

- 1 If the equipment is being used in the country of purchase, you should contact the B&W authorised dealer from whom the equipment was purchased.
- 2 If the equipment is being used outside the country of purchase, you should contact the B&W national distributor in the country of residence, who will advise where the equipment can be serviced. You can call B&W in the UK or visit our web site to get the contact details of your local distributor.

To validate your warranty, you will need to produce the warranty booklet completed and stamped by your dealer on the date of purchase.

# Français

## Manuel d'utilisation

Cher Client,

Nous vous remercions d'avoir choisi Bowers & Wilkins. Veuillez lire soigneusement ce manuel avant de débiter et d'installer vos enceintes acoustiques. Il vous aidera à en obtenir les performances optimales. B&W est distribué dans plus de 60 pays dans le monde entier, par l'intermédiaire de distributeurs spécialement sélectionnés ; ceux-ci pourront vous aider à résoudre d'éventuels problèmes ignorés par votre revendeur.

### Information sur la protection de l'environnement



Tous les produits B&W sont conçus en conformité totale avec les normes internationales concernant l'interdiction d'utilisation de certaines substances dangereuses (RoHS) dans les équipements électriques et électroniques, ainsi que la possibilité de recyclage des matériaux utilisés (WEEE, pour Waste Electrical and Electronic Equipment). Ces symboles indiquent la compatibilité avec ces directives, et le fait que les appareils peuvent être correctement recyclés ou traités dans le respect total de ces normes. Consultez l'organisme officiel de votre région pour le traitement des produits.

### Vérification du contenu de l'emballage

Vérifiez que le carton contienne bien :

- 1 tampon en mousse
- 1 carton d'accessoires contenant :
  - 4 pieds-pointes M6
  - 4 pieds en caoutchouc
  - 4 écrous de blocage (10 mm)

### Installation des enceintes

Les enceintes sont prévues pour être directement posées au sol. Il est important de s'assurer qu'elles sont parfaitement équilibrées sur le sol, en utilisant les pointes de découplage fournies partout où cela est possible. Ces pointes sont conçues pour transpercer la moquette et prendre directement contact sur le sol en dur. Avant de les mettre en place, vissez les écrous en les laissant libres, de telle manière qu'ils affleurent la moquette une fois les pointes correctement en contact avec le sol en dur. Vissez complètement les pointes dans leurs inserts filetés, à la base de l'enceinte. Si l'enceinte n'est pas totalement stable sur le sol, dévissez une ou plusieurs pointes jusqu'à ce que l'enceinte soit parfaitement équilibrée sur le sol. Une fois cela assuré, vissez complètement chaque écrou de blocage vers la base de l'enceinte. Il est conseillé de garantir l'équilibrage parfait de chaque enceinte seulement après avoir précisément déterminé sa position dans la pièce d'écoute.

### Choix de la position

Le réglage de la position des enceintes au moment de leur installation est susceptible d'améliorer

grandement les résultats sonores, et constitue donc une première étape essentielle.

Qu'il s'agisse d'une installation stéréophonique ou multicanal Home Cinema, faites en sorte que l'environnement acoustique de chaque enceinte soit le plus identique possible, dans son caractère sonore. Par exemple, si une des enceintes est placée près d'un mur lisse et nu, tandis que l'autre se trouve proche d'épais tissus et tapis, la qualité et l'équilibre stéréophonique finaux risquent fort d'être compromis.

### Systèmes stéréophoniques conventionnels

Comme base de départ, placer les deux enceintes éloignées entre 1,5 et 3 mètres l'une de l'autre, formant ainsi les deux angles d'un triangle équilatéral dont le troisième angle sera la position d'écoute privilégiée. Les enceintes seront également éloignées d'environ 50 centimètres du mur arrière et des murs latéraux. La figure 1a illustre une telle installation.

### Systèmes Home Cinema

Si les enceintes sont utilisées en tant qu'enceintes frontales d'un système Home Cinema, elles doivent être plus rapprochées l'une de l'autre que dans le cas d'une installation stéréophonique traditionnelle, car les enceintes Surround arrière ont tendance à agrandir l'image sonore générale. Positionnez les deux enceintes à environ 0,50 mètre de chaque côté de l'écran, afin de conserver une image sonore en rapport avec l'image vidéo. Comme pour les systèmes stéréophoniques, éloignez les enceintes d'au moins 0,50 mètre du mur arrière, et aussi des murs latéraux.

### Champs magnétiques

Les haut-parleurs à l'intérieur de l'enceinte génèrent des champs magnétiques qui peuvent s'étendre au-delà du coffret de l'enceinte. Nous vous recommandons donc de tenir éloignés d'au moins 50 centimètres des enceintes les appareils sensibles à ces champs magnétiques (télévisions et moniteurs informatiques à tube cathodique CRT, cassettes et bandes magnétiques audio et vidéo, cartes magnétiques, etc.).

### Branchements

Tous les branchements doivent être effectués les appareils étant tous éteints.

Il y a deux paires de prises réunies entre elles à l'arrière de chaque enceinte. Pour les branchements classiques, les connexions reliant les prises (comme installé à la livraison) doivent impérativement rester en place, une seule paire de prises étant alors reliée à l'amplificateur. En cas de bi-câblage, les liens seront retirés, et chaque paire de prises sera alors reliée à l'amplificateur de manière indépendante. Ce principe de bi-câblage permet d'améliorer la résolution et la qualité des plus fins détails. Les figures 2a et 2b illustrent les principes du mono et du bi-câblage.

Branchez la prise « positif » de l'enceinte (prise de couleur rouge, avec le repère « + ») sur la prise de sortie enceinte « positif » de l'amplificateur, et branchez la prise « négatif » (prise de couleur noire, avec le repère « - ») sur la prise « négatif » de

l'amplificateur. Le non-respect de cette polarité plus/moins entraîne une image stéréophonique dégradée et une perte dans le grave.

Demandez conseil à votre revendeur pour le choix du câble utilisé. L'impédance totale de charge ne doit jamais être inférieure au minimum recommandé dans les spécifications, et le câble doit présenter une faible inductance, afin d'éviter toute atténuation des fréquences aiguës.

### Réglage fin

Avant de procéder à ces réglages, vérifiez que tous les branchements sont correctement effectués, dans toute l'installation, et fermement sécurisés.

Décaler les enceintes par rapport aux murs de la pièce a généralement pour effet de réduire le niveau général du grave. Un espace suffisant derrière les enceintes acoustiques permet également d'améliorer la sensation de profondeur de la reproduction sonore. Inversement, un rapprochement des enceintes par rapport aux cloisons de la pièce entraîne une augmentation du niveau du grave. Pour réduire le niveau de grave sans modifier la position des enceintes, utilisez les tampons de mousse fournis dans les événements de décompression, comme montré figure 3.

Si vous désirez réduire sensiblement le niveau de grave sans pour autant modifier la position des enceintes par rapport aux murs, placez un des tampons de mousse dans l'événement de décompression (figure 5). Pour accéder à ces événements, retirez la grille frontale des enceintes en la tirant doucement vers l'avant.

Si le niveau de grave vous paraît tout de même encore trop important, cela est généralement dû à des modes de résonances parasites dans la pièce d'écoute. Une modification, même légère, de la position des enceintes dans la pièce peut alors avoir pour effet des améliorations très sensibles. Essayez de placer les enceintes le long d'un autre mur de la pièce. Le déplacement des meubles les plus encombrants peut également sensiblement modifier les résultats sonores.

Si la focalisation centrale de l'image sonore est mauvaise, essayez de rapprocher les deux enceintes acoustiques, et/ou de modifier leur angle (plus fermé) par rapport à la zone centrale d'écoute privilégiée. La figure 1b illustre ces différentes modifications.

Si le son paraît trop brillant, ajoutez des meubles ou éléments amortissants dans la pièce (par exemple, des tapis plus nombreux ou épais). Inversement, réduisez l'influence de tels éléments si le son semble trop sourd ou éteint.

Certaines salles souffrent d'un phénomène de « rebond » des sons, sorte d'écho dû au renvoi du son entre des murs parallèles. Ces échos (« flutter », en anglais) peuvent colorer le son de manière importante. Une réverbération trop importante peut être détectée en se tenant au centre de la pièce et en tapant dans ses mains. Un tel défaut peut être éliminé en multipliant les surfaces de formes irrégulières dans la pièce, avec, par exemple, une ou plusieurs



bibliothèques ou des meubles de taille plus importante, ainsi que des tableaux ou tapisseries fixés sur les murs.

Assurez-vous que les enceintes sont fermement posées sur le sol. Utilisez les pointes pour transpercer la moquette si nécessaire, et réglez-les parfaitement pour compenser parfaitement toute inégalité du sol.

## Période de rodage

Les performances d'une enceinte acoustique se modifient subtilement pendant une période de rodage initiale. Si l'enceinte a été stockée dans un environnement de faible température, ses composants amortissants et les suspensions des haut-parleurs vont demander un peu de temps avant de retrouver leurs qualités mécaniques optimales. De plus, ces suspensions vont également se « libérer » pendant les premières heures d'utilisation. Ce temps de rodage est variable, suivant la température de stockage et la manière dont vous utilisez les enceintes. En moyenne, comptez un week-end pour que les effets de la température se stabilisent, et une quinzaine d'heures d'utilisation normale pour que tous les composants mécaniques atteignent le fonctionnement parfait correspondant à leur conception mécanique.

Cependant, des périodes plus longues (jusqu'à un mois) ont été relevées, mais il semble que cela soit dû un peu à cause du rodage des enceintes, et beaucoup parce que l'auditeur doit se familiariser avec le nouveau son ! C'est particulièrement le cas ici, avec des enceintes extrêmement définies, capables de reproduire un niveau de détail exceptionnellement élevé, plus que ce à quoi s'attendait l'auditeur ; simplement, au début, ce son peut sembler un tout petit peu « projeté » en avant et brillant. À la fin de la période de rodage, le son semblera plus neutre, sans rien perdre pour autant de ses qualités en terme de transparence et de sens du détail.

## Entretien

Le coffret de l'enceinte ne requiert qu'un dépoussiérage régulier. Si vous désirez utiliser un nettoyeur antistatique en pulvérisateur, pulvérisez ce produit uniquement sur le chiffon de dépoussiérage, jamais directement sur l'enceinte acoustique. La grille frontale peut être nettoyée avec une brosse à habit classique, après avoir retiré la grille de l'enceinte. Évitez de toucher les haut-parleurs, et notamment le tweeter, ce qui pourrait les endommager irrémédiablement.

Nous avons choisi les plus fines essences de bois pour la finition externe de l'enceinte. Ce qui signifie que, comme tous les matériaux naturels, ce revêtement externe est sensible à l'environnement qu'il subit. Éloignez donc l'enceinte des sources de chaleur directe, comme les radiateurs ou les bouches de diffusion de chaleur, afin d'éviter tout risque de décollement ou de craquelure. Le bois est traité avec un vernis spécial résistant aux rayonnements ultraviolet, dont la couleur peut changer avec le temps, dans des limites toutefois parfaitement acceptables. Cet effet est particulièrement sensible en comparaison avec les parties restées protégées par la grille frontale, ou celles restant en permanence dans l'ombre, dont la variation

de teinte se fait alors de manière beaucoup plus lente. Pour gommer ces éventuelles différences, il suffit alors d'exposer régulièrement toutes les surfaces vernies à la lumière directe du soleil, jusqu'à ce que les différences se soient estompées. Cette procédure peut prendre plusieurs jours, voire plusieurs semaines, mais elle pourra éventuellement être accélérée en utilisant un éclairage par lampe ultraviolet.

## Garantie limitée

Ce produit a été conçu et fabriqué en vertu des normes de qualité les plus rigoureuses. Toutefois, en cas de problème, B&W Group Ltd. et ses distributeurs nationaux garantissent une main d'œuvre (exclusions possibles) et des pièces de rechange gratuites dans tout pays desservi par un distributeur agréé de B&W.

Cette garantie limitée est valide pour une période de cinq ans à compter de la date d'achat ou une période de deux ans pour les composants électroniques, y compris les haut-parleurs amplifiés.

### Conditions

- 1 La garantie est limitée à la réparation de l'équipement. Les frais de transport ou autres, les risques associés à l'enlèvement, au transport et à l'installation des produits ne sont pas couverts par cette garantie.
- 2 La garantie est exclusivement réservée au propriétaire d'origine et ne peut pas être transférée.
- 3 Cette garantie ne s'applique qu'aux produits faisant l'objet de vices de matériaux et/ou de construction au moment de l'achat et ne sera pas applicable dans les cas suivants :
  - a. détériorations entraînées par une installation, connexion ou un emballage incorrect,
  - b. détériorations entraînées par un usage autre que l'usage correct décrit dans le manuel de l'utilisateur, la négligence, des modifications ou l'usage de pièces qui ne sont pas fabriquées ou agréées par B&W,
  - c. détériorations entraînées par un équipement auxiliaire défectueux ou qui ne convient pas,
  - d. détériorations résultant de : accidents, foudre, eau, chaleur, guerre, troubles de l'ordre public ou autre cause ne relevant pas du contrôle raisonnable de B&W ou de ses distributeurs agréés,
  - e. les produits dont le numéro de série a été modifié, effacé, éliminé ou rendu illisible,
  - f. les produits qui ont été réparés ou modifiés par une personne non autorisée.
- 4 Cette garantie vient en complément à toute obligation juridique nationale / régionale des revendeurs ou distributeurs nationaux et n'affecte pas vos droits statutaires en tant que client.

## Comment faire une réclamation en vertu de la garantie

Veillez respecter la procédure ci-dessous, si vous souhaitez faire une réclamation sous garantie :

- 1 Si l'équipement est utilisé dans le pays d'achat, veuillez contacter le distributeur agréé de B&W qui a vendu l'équipement.
- 2 Si l'équipement est utilisé dans un pays autre que le pays d'achat, veuillez contacter le distributeur national B&W du pays de résidence, qui vous indiquera où vous pouvez faire réparer l'équipement. Vous pouvez appeler B&W au Royaume-Uni ou consulter notre site Web pour obtenir les coordonnées de votre distributeur local.

Afin de valider votre garantie, vous devrez présenter ce livret de garantie qui aura été rempli et tamponné par votre revendeur le jour de l'achat.

# Deutsch

## Bedienungsanleitung

Sehr geehrte Kundin, sehr geehrter Kunde,

vielen Dank, dass Sie sich für die Marke Bowers & Wilkins entschieden haben. Bitte lesen Sie sich diese Bedienungsanleitung vor dem Auspacken und der Installation des Produktes genau durch. Dies wird Ihnen bei der optimalen Nutzung des Systems helfen. B&W liefert in über 60 Länder und verfügt über ein weites Netz erfahrener Distributoren, die Ihnen weiterhelfen, auch wenn der Händler Ihr Problem nicht lösen kann.

### Umweltinformation



B&W-Produkte entsprechen den internationalen Richtlinien über die Beschränkung der Verwendung bestimmter gefährlicher Stoffe in Elektro- und Elektronikgeräten (Restriction of Hazardous Substances (kurz RoHS genannt)) und über Elektro- und Elektronik-Altgeräte (Waste Electrical and Electronic Equipment (WEEE)). Die hier abgebildeten Symbole stehen für deren Einhaltung und besagen, dass die Produkte ordnungsgemäß recycelt oder diesen Richtlinien entsprechend entsorgt werden müssen. Erkundigen Sie sich diesbezüglich bei der örtlichen Abfallsorgung.

### Kartoninhalt

Im Versandkarton liegen:

- 1 Schaumstoffeinsatz
- 1 Zubehöropaket mit:
  - 4 M6-Spikes
  - 4 Gummifüßen
  - 4 Sicherungsmuttern (Schlüsselweite 10 mm)

### Aufstellen der Lautsprecher

Die Lautsprecher sind als Standversionen konzipiert. Sie müssen fest auf dem Boden stehen. Befestigen Sie die beiliegenden Spikes möglichst erst dann, wenn Sie die optimale Position für Ihre Lautsprecher gefunden haben. Die Spikes sind so ausgelegt, dass sie durch einen Teppich hindurchgehen und auf der Bodenoberfläche aufliegen. Drehen Sie zunächst die Sicherungsmuttern komplett auf die Spikes und anschließend die Spikes vollständig in die Gewinde am Gehäuseboden. Sollte das Gehäuse wackeln, lösen Sie die beiden nicht aufliegenden Spikes, bis es fest auf dem Boden steht. Ziehen Sie nun die Sicherungsmuttern gegen das Gehäuse fest.

Liegt kein Teppich und möchten Sie ein Zerkratzen der Bodenoberfläche vermeiden, legen Sie entweder jeweils eine Schutzscheibe (vielleicht eine Münze) unter die Spikes oder verwenden die beiliegenden Gummifüße.

### Positionierung der Lautsprecher

Eine weitere Optimierung der Lautsprecherposition kann zu einer Verbesserung der Klangqualität führen und macht damit in der Regel Sinn.

Versuchen Sie sowohl bei Stereo- als auch bei Heimkinoinstallationen sicherzustellen, dass die direkte

Umgebung in puncto Akustik für alle Lautsprecher ähnlich ist. Befindet sich beispielsweise ein Lautsprecher in der Nähe einer nackten Wand, während der andere Lautsprecher von weichen Einrichtungsgegenständen und Vorhängen umgeben ist, so leiden darunter die Klangqualität und das Stereoklangbild.

### Herkömmliche Stereosysteme

Zunächst sind die Lautsprecher in einem Abstand von 1,5 bis 3 m in zwei Ecken eines gleichseitigen Dreiecks zu platzieren, das an der dritten Ecke durch den Hörbereich vervollständigt wird. Der Abstand zur Rückwand sollte ca. 0,5 m, der Abstand zu den Seitenwänden mindestens 0,5 m betragen. In Figure (Abb.) 1a ist diese Anordnung dargestellt.

### Heimkinosysteme

Werden die Lautsprecher für die Frontkanäle eines Heimkinosystems genutzt, so sollten die Lautsprecher näher zusammengestellt werden als bei 2-Kanal-Audiosystemen, da die Surroundkanäle zu einer Erweiterung des Klangbildes führen. Eine Positionierung der Lautsprecher innerhalb von ungefähr 0,5 m zu den Seiten des Bildschirms ist darüber hinaus sehr hilfreich, um das Klangbild optimal an das visuelle Bild anzupassen. Die Lautsprecherhöhe sollte zwischen der Bildschirmitte und der Höhe des Centerlautsprechers liegen. Wie bei der Positionierung in konventionellen Stereosystemen sollten die Lautsprecher einen Abstand von ungefähr 0,5 m von der Rückwand haben und einen Mindestabstand von 0,5 m zu den Seitenwänden.

### Magnetische Streufelder

Die Lautsprecherchassis erzeugen ein magnetisches Streufeld, das über die Gehäusegrenzen hinaus reicht. Daher empfehlen wir, einen Mindestabstand von 0,5 m zwischen magnetisch empfindlichen Artikeln (CRT-Fernseheräten, Computerbildschirmen, Discs, Audio- und Videobändern, Scheckkarten usw.) und Lautsprecher zu bewahren.

### Anschließen der Lautsprecher

Schalten Sie alle Geräte während des Anschließens ab.

An der Lautsprecherrückseite sind jeweils zwei Anschlussklemmen über Brücken miteinander verbunden. Im konventionellen Betrieb bleiben die Brücken (wie bei der Lieferung) in ihrer Position und nur ein Anschlussklemmenpaar wird an den Verstärker angeschlossen. Sollen die Lautsprecher im Bi-Wiring-Verfahren betrieben werden, müssen zunächst die Brücken entfernt werden. Hierbei werden alle vier Anschlussklemmen mit dem Verstärker verbunden. Bi-Wiring kann die Detailtreue im Tieftonbereich verbessern. In den Figures (Abbildungen) 2a und 2b ist dargestellt, wie die Lautsprecher beim konventionellen Betrieb und im Bi-Wiring-Verfahren angeschlossen werden.

Stellen Sie sicher, dass positive (rote und mit + gekennzeichnete) Anschlussklemmen am Lautsprecher mit dem positiven Ausgang am Verstärker und negative (schwarze und mit - gekennzeichnete) Anschlussklemmen mit dem negativen Ausgang am Verstärker verbunden werden. Ein nicht korrektes Anschließen

der Kabel kann zu einer Verschlechterung des Klangbildes und zu Bassverlusten führen.

Lassen Sie sich bei der Auswahl der Lautsprecherkabel von Ihrem autorisierten Fachhändler beraten. Die Gesamtimpedanz sollte unterhalb der in den Technischen Daten angegebenen maximalen Kabelimpedanz liegen. Insbesondere sollte das zum Hochtoner führende Kabel eine geringe Induktivität besitzen, da sehr hohe Töne sonst gedämpft werden.

### Feinabstimmung

Vergewissern Sie sich vor der Feinabstimmung Ihres Systems noch einmal, dass alle Verbindungen richtig hergestellt wurden und alle Kabel ordnungsgemäß angeschlossen sind.

Ein größerer Abstand zwischen Lautsprechern und Wänden führt zu einer Reduzierung des Bassniveaus. Der Raum hinter den Lautsprechern schafft auch einen Eindruck der Tiefe. Umgekehrt wird das Bassniveau erhöht, wenn die Lautsprecher näher an die Wände gestellt werden. Möchten Sie das Bassniveau reduzieren, ohne den Abstand zwischen Lautsprechern und Wand zu vergrößern, setzen Sie den Schaumstoffeinsatz, wie in Figure (Abb.) 3 dargestellt, in die Bassreflexöffnung ein.

Steht das Bassniveau nicht im Einklang mit der Frequenz, so ist dies auf starke Resonanzen im Raum zurückzuführen. Selbst kleinste Änderungen bei der Lautsprecherpositionierung bzw. in der Hörposition können eine erhebliche Wirkung auf die wahrgenommene Klangqualität haben. So ändert sich die Klangqualität beispielsweise, wenn Sie die Hörposition verändern oder die Lautsprecher an eine andere Wand gestellt werden. Auch das Vorhandensein großer Möbelstücke und deren Position können erhebliche Auswirkungen haben.

Ist das Klangbild in der Mitte schlecht, stellen Sie die Lautsprecher näher zusammen oder so auf, dass sie in Richtung Hörbereich zeigen (siehe Figure (Abb.) 1b).

Ist der Klang zu schrill, hilft die Verwendung weicher Einrichtungsgegenstände (wie z.B. schwerer Vorhänge). Umgekehrt sollte man bei dumpfem, leblosem Klang die Verwendung solcher Einrichtungsgegenstände auf ein Minimum reduzieren.

In einigen Räumen treten Flatterechos – also Echos, die zwischen parallelen Wänden mehrfach hin und her reflektiert werden – auf. Flatterechos können den Klang der Lautsprecher im Raum verfärbten. Prüfen Sie den Raum auf Mehrfachechos, indem Sie sich in die Mitte des Raumes stellen und in die Hände klatschen. Flatterechos können durch unregelmäßige Gegenstände oder nicht-reflektierende Oberflächen, Regale, Bilder usw. an einer der parallelen Wände reduziert werden.

Stellen Sie sicher, dass der Lautsprecher fest auf dem Boden steht. Liegt Teppich(boden), verwenden Sie die beiliegenden Spikes und passen diese so an, dass alle Unebenheiten des Bodens ausgeglichen werden.

## Einlaufphase

In der Einlaufphase gibt es feine Unterschiede in der Wiedergabequalität des Lautsprechers. Wurde er in einer kühlen Umgebung gelagert, so wird es einige Zeit dauern, bis die Dämpfungskomponenten und die für die Aufhängung der Chassis eingesetzten Werkstoffe ihre optimalen mechanischen Eigenschaften besitzen. Die Aufhängung der Chassis wird mit den ersten Betriebsstunden beweglicher. Die Zeit, die der Lautsprecher benötigt, um seine maximale Leistungsfähigkeit zu entwickeln, schwankt abhängig von den vorherigen Lager- und Einsatzbedingungen. Grundsätzlich kann man sagen, dass es eine Woche dauert, bis sich die Lautsprecher nach Temperatureinwirkungen stabilisiert haben. 15 Betriebsstunden sind erforderlich, bis die mechanischen Teile ihre Funktion, wie bei der Konstruktion festgelegt, erfüllen können.

Jedoch ist uns schon von längeren Einlaufphasen (bis zu einem Monat) berichtet worden. Man kann aber davon ausgehen, dass dieser Eindruck eher mit dem Hörer zu tun hat, der aufgrund der hochwertigen Klangqualität dieser Lautsprecher jetzt Details wahrnimmt, die vorher nicht zu hören waren. Der Klang mag ihm zunächst vielleicht etwas hart erscheinen. Aber nach geraumer Zeit wird er weicher, ohne dabei an Detailtreue zu verlieren.

## Pflege

Die Gehäuseoberfläche muss in der Regel nur abgestaubt werden. Bei Verwendung eines Aerosol-Reinigers entfernen Sie zunächst vorsichtig die Abdeckung vom Gehäuse. Sprühen Sie den Reiniger auf ein Tuch, niemals direkt auf das Gehäuse. Der Stoff kann nach dem Entfernen der Abdeckung mit einer normalen Kleiderbürste gereinigt werden. Vermeiden Sie es, die Lautsprecherchassis zu berühren, da dies, vor allem beim Hochtöner, zu Beschädigungen führen kann.

Für die Gehäuseoberfläche haben wir feinstes Echtholz furnier verwendet. Bitte berücksichtigen Sie aber, dass Holz ein Naturwerkstoff ist, der auf die Einflüsse der Umgebung reagiert. Halten Sie daher, um Rissen vorzubeugen, einen ausreichenden Abstand zu direkten Wärmequellen wie Heizkörpern und Warmluftventilatoren. Das Furnier ist zum Schutz gegen Sonnenlicht mit einem Speziallack behandelt worden. Auf diese Weise werden die im Laufe der Zeit auftretenden Farbveränderungen minimiert. Trotzdem bleiben kleine Veränderungen in der Regel nicht aus. So verändern insbesondere die unter der Abdeckung oder im Schatten befindlichen Bereiche ihre Farbe langsamer als andere. Farbunterschiede können Sie ausgleichen, indem Sie alle Furnieroberflächen gleichmäßig dem Licht aussetzen, bis die Farbe wieder einheitlich ist. Dieser Prozess kann mehrere Tage oder sogar Wochen dauern, lässt sich aber durch den vorsichtigen Einsatz einer UV-Lampe beschleunigen.

## Garantie

Dieses Produkt wurde nach den höchsten Qualitätsstandards entwickelt und hergestellt. Sollte dennoch der unwahrscheinliche Fall eintreten, dass Sie als Kunde Grund zur Reklamation haben, werden die B&W Group Ltd. und ihre nationalen Vertriebsgesellschaften das fehlerhafte Produkt ohne Berechnung der Arbeits- und Materialkosten (abgesehen von einigen Ausnahmen) in jedem Land, in dem eine offizielle B&W-Vertriebsgesellschaft vertreten ist, reparieren.

Die Garantiezeit beträgt fünf Jahre ab Kaufdatum bzw. zwei Jahre auf Aktivlautsprecher und elektronische Bauteile.

### Garantiebedingungen

1. Die Garantie ist auf die Reparatur der Geräte beschränkt. Weder der Transport noch sonstige Kosten, noch das Risiko des Ausbaus, des Transports und der Installation der Produkte wird von dieser Garantie abgedeckt.
2. Diese Garantie gilt nur für den Originalbesitzer. Sie ist nicht übertragbar.
3. Diese Garantie ist nur dann gültig, wenn zum Zeitpunkt des Kaufs Fabrikations- und/oder Materialfehler vorliegen und nicht:
  - a. bei Schäden durch unfachmännische Installation, falsches Anschließen oder unsachgemäßes Verpacken,
  - b. bei Schäden, die auf einen nicht in der Bedienungsanleitung genannten Einsatzzweck, auf Fahrlässigkeit, Modifikationen oder die Verwendung von Teilen zurückzuführen sind, die nicht von B&W hergestellt bzw. zugelassen wurden,
  - c. bei Schäden durch defekte oder ungeeignete Zusatzgeräte,
  - d. bei Schäden durch Unfälle, Blitzschlag, Wasser, Feuer, Hitze, Krieg, öffentliche Unruhen oder sonstige Ereignisse, die nicht der Kontrolle von B&W und seinen Vertriebsgesellschaften unterliegen,
  - e. für Produkte, deren Seriennummern geändert, gelöscht, entfernt oder unleserlich gemacht wurden,
  - f. wenn Reparaturen oder Modifikationen von einem Nichtfachmann durchgeführt wurden.
4. Diese Garantie ergänzt die nationalen/regionalen gesetzlichen Verpflichtungen der Händler bzw. der nationalen Vertriebsgesellschaften und schränkt in keiner Weise die gesetzlichen Rechte, die Sie als Kunde haben, ein.

### Inanspruchnahme von Garantieleistungen

Sollten Sie unseren Service in Anspruch nehmen müssen, gehen Sie bitte folgendermaßen vor:

1. Befindet sich das Gerät in dem Land, in dem Sie es gekauft haben, setzen Sie sich mit Ihrem autorisierten B&W-Fachhändler in Verbindung.

2. Befindet sich das Gerät außerhalb des Landes, in dem Sie es gekauft haben, wenden Sie sich bitte an die nationale B&W-Vertriebsgesellschaft des Landes, in dem Sie leben. Diese wird Ihnen Auskunft darüber geben, wo Sie das Gerät reparieren lassen können. Die Adresse der für das jeweilige Land zuständigen Vertriebsgesellschaft erhalten Sie bei B&W in Großbritannien oder über unsere Website.

Garantieleistungen werden nur nach Vorlage des Garantie-Booklets (vollständig ausgefüllt und mit dem Händlerstempel und dem Kaufdatum versehen) erbracht.

# Español

## Manual de instrucciones

Estimado cliente:

Gracias por elegir Bowers & Wilkins. Le rogamos que lea la totalidad de este manual antes de desembalar e instalar el producto ya que ello le ayudará a optimizar las prestaciones de este último. B&W mantiene una red de importadores altamente motivados en más de 60 países que podrán ayudarle en el caso de que se produzca algún problema que no pueda ser resuelto por su distribuidor especializado.

### Información Relativa al Medio Ambiente



Los productos B&W han sido diseñados para satisfacer la normativa internacional relativa a la Restricción del Uso de Sustancias Peligrosas (RoHS) en equipos eléctricos y electrónicos y la eliminación de Desperdicios Referentes a Equipos Eléctricos y Electrónicos (WEEE). El símbolo con el cubo de la basura tachado indica el pleno cumplimiento de estas directrices y que los productos correspondientes deben ser reciclados o procesados adecuadamente en concordancia con las mismas. Para recibir orientación sobre cómo deshacerse de este producto de la manera apropiada, consulte con su organización de recogida de desperdicios local.

### La Caja del Embalaje Contiene

Verifique que en el embalaje figuren los siguientes elementos:

- 1 tapón de espuma
- 1 paquete de accesorios que contiene:
  - 4 puntas metálicas de desacoplo M6
  - 4 tacos de goma autoadhesivos
  - 4 tuercas de fijación planas de 10 mm de diámetro

### Instalación de la Caja Acústica

Esta caja acústica ha sido pensada para ser instalada directamente en el suelo. Por lo tanto, es importante asegurar que la misma descansa firmemente sobre el suelo de la sala en la que vaya a ser instalada utilizando –siempre que ello sea posible– las puntas de desacoplo suministradas por el fabricante. Las puntas de desacoplo están diseñadas para que perforen la alfombra y descansen sobre la superficie del suelo. Inicialmente, coloque las tuercas de fijación en las puntas dejando que las primeras "floten" ligeramente por encima de la alfombra cuando las segundas descansen sobre el suelo. A continuación, fije por completo las puntas en los orificios dispuestos para ello en la base del recinto. Si el recinto se mueve cuando esté en su posición definitiva, afloje las dos puntas que no toquen el suelo hasta que aquél descansa firmemente sin moverse. Finalmente, fije sólidamente las tuercas contra el recinto. Es posible que resulte más cómodo colocar y ajustar las puntas una vez optimizada la posición de la caja acústica.

En caso de que no haya ninguna alfombra y usted desee impedir que se raye la superficie del suelo, utilice o bien un disco protector metálico (una moneda también podría servir) entre la punta y el suelo o bien los tacos de goma suministrados por el fabricante. Coloque los tacos de goma y nivele el recinto del mismo modo que con las puntas de desacoplo.

### **Colocación de la Caja Acústica**

Es muy probable que el ajuste de la posición de la caja acústica una vez realizada la instalación inicial de la misma mejore la calidad sonora, por lo que resulta completamente recomendable.

Tanto en instalaciones de audio estéreo como de Cine en Casa, intente asegurarse de que las zonas que rodean inmediatamente a cada caja acústica sean similares desde el punto de vista acústico. Por ejemplo, si una caja acústica está junto a una pared desnuda mientras que la otra está cerca de mobiliario y cortinas blandos, es más que probable que tanto la calidad sonora global como la imagen estereofónica queden seriamente comprometidas.

### **Sistemas Estereofónicos Convencionales**

Para empezar, las cajas acústicas deberían colocarse, separadas entre sí de 1'5 a 3 metros, en los dos vértices de un triángulo equilátero cuyo tercer vértice esté situado en el punto de escucha. Las cajas deberían separarse aproximadamente 0'5 metros de la pared posterior y al menos 0'5 metros de cualquier pared lateral. En la figura 1a se muestra esta disposición.

### **Sistemas de Cine en Casa**

Si las cajas acústicas van a ser utilizadas para los canales frontales (principales) de un sistema de Cine en Casa, deberían estar más cerca entre sí que en un equipo de audio de 2 canales ya que los canales de sonido envolvente tienden a ensanchar la imagen sonora. La colocación de las cajas acústicas a unos 0'5 metros de distancia de cada lado de la pantalla de visualización también ayudará a que la imagen asociada al sonido envolvente esté proporcionada con respecto a la imagen visual. En cuanto a la altura de las cajas acústicas, debería estar en un punto intermedio entre el centro de la pantalla y la altura de la caja acústica central. Al igual que sucede con el posicionado de los sistemas estereofónicos convencionales, idealmente las cajas acústicas deberían estar separadas unos 0'5 metros de la pared posterior y al menos 0'5 metros de cualquier pared lateral.

### **Campos Magnéticos Parásitos**

Los altavoces de las cajas acústicas crean campos magnéticos parásitos que se extienden más allá de las fronteras físicas del recinto. Es por ello que le recomendamos que aleje todos aquellos objetos magnéticamente sensibles (pantallas de televisor y ordenador basadas en tubos de rayos catódicos, discos de ordenador, cintas de audio y video, tarjetas con banda magnética y cosas por el estilo) al menos 0'5 metros de la caja acústica.

### **Conexiones**

Todas las conexiones deberían realizarse con el equipo desconectado.

En la parte posterior de la caja acústica hay dos pares de terminales de conexión conectados entre sí con sendos puentes. Para realizar una conexión convencional, dichos puentes deberían permanecer en su lugar (situación original, es decir de fábrica) y por tanto solamente deberían conectarse un par de terminales al amplificador. Para la conexión en bicableado, los puentes deberían retirarse para poder conectar por separado cada par de terminales al amplificador. El bicableado puede mejorar la resolución de los detalles de bajo nivel. Las Figuras 2a y 2b ilustran la conexión convencional y en bicableado.

Asegúrese de que los terminales positivos de la caja acústica (marcados como + y de color rojo) son conectados al terminal de salida positivo del amplificador y que los terminales negativos de la caja acústica (marcados como - y de color negro) son conectados al terminal de salida negativo del amplificador. Una conexión incorrecta podría tener como resultado una imagen sonora pobre y una pérdida de graves.

Consulte a su distribuidor para que le aconseje a la hora de elegir el cable de conexión. Mantenga siempre la impedancia total por debajo del máximo recomendado en las características técnicas y utilice un cable de baja inductancia para evitar que se produzcan atenuaciones en las frecuencias más altas.

### **Ajuste Fino**

Antes de proceder al ajuste fino, verifique cuidadosamente que todas las conexiones de la instalación sean correctas y seguras.

Cada vez que aumente la separación entre las cajas acústicas y las paredes laterales y posterior de la habitación se reducirá el nivel general de graves. El espacio situado detrás de las cajas también contribuye a crear una sensación aural de profundidad. Por el contrario, si acerca las cajas acústicas a las paredes el nivel de graves aumentará. Si desea reducir el nivel de graves sin separar más las cajas acústicas de la pared, coloque los tapones de espuma en los puertos bass-reflex tal y como se ilustra en la Figura 3.

Si la respuesta en graves se desestabiliza a menudo, lo más probable es que se deba a la excitación de modos de resonancia en la sala de escucha. Incluso pequeños cambios en la posición de las cajas acústicas o los oyentes pueden tener un profundo efecto en la manera en que dichas resonancias afectan al sonido. Haga pruebas cambiando la posición de escucha o colocando las cajas acústicas a lo largo de una pared diferente. La presencia y la posición de muebles y objetos de gran tamaño también puede influir en los modos de resonancia.

Si la imagen central carece de focalización, intente acercar las cajas acústicas entre sí o inclínelas de manera que apunten hacia los oyentes o estén

encaradas hacia ellos. La Figura 1b muestra cajas acústicas orientadas hacia los oyentes

Si el sonido es demasiado brillante (léase chillón), el aumento de la cantidad de materiales blandos (generalmente fonoabsorbentes) presentes en la sala (por ejemplo, cortinas más pesadas) puede ayudar a equilibrar el sonido. Por el contrario, si se reduce la presencia de los citados materiales se conseguirá incrementar el nivel de brillo (en suma, la vitalidad) de un sonido apagado y carente de vida.

Algunas salas se ven afectadas por lo que se denomina "eco flotante", es decir ecos que "rebotan" entre paredes paralelas de las mismas. Los ecos flotantes pueden colorear el sonido de las cajas acústicas instaladas en la sala. Compruebe si en la sala de escucha hay ecos flotantes situándose de pie en el centro de la misma, aplaudiendo rápidamente y escuchando a continuación para detectar si se producen repeticiones rápidas de los aplausos. Para reducir dicho eco, coloque objetos de forma irregular o superficies no reflectantes (como por ejemplo tapetes, cuadros o estanterías repletas de libros) en el suelo o en una de las paredes afectadas.

Asegúrese de que los pies de las cajas acústicas descansen firmemente sobre el suelo. En caso de que sea necesario, utilice puntas metálicas de desacoplo (que atravesarán la alfombra) y ajústelas para compensar cualquier desequilibrio.

## Período de Rodaje

Las prestaciones de la caja acústica cambiarán de manera sutil durante el período de escucha inicial. Si la caja acústica ha estado almacenada en un ambiente frío, tanto los materiales absorbentes y de amortiguamiento como los que forman parte de los sistemas de suspensión de los diferentes altavoces tardarán cierto tiempo en recuperar sus propiedades mecánicas correctas. Las suspensiones de los altavoces también se relajarán durante las primeras horas de uso. El tiempo que la caja acústica necesite para alcanzar las prestaciones para las que fue diseñada variará en función de las condiciones de almacenamiento previas de la misma y de cómo se utilice. A modo de guía, deje transcurrir una semana para la estabilización térmica de la caja y unas 15 horas de uso en condiciones normales para que las partes mecánicas de la misma alcancen las características de funcionamiento para las que fueron diseñadas.

No obstante, hay constancia de períodos de rodaje más largos (del orden de un mes) y las evidencias suficientes para sugerir que ello tiene poco que ver con cambios en la caja acústica y bastante con la adaptación del usuario al nuevo sonido proporcionado por la misma. Esto resulta bastante cierto en cajas acústicas con un elevado poder resolutivo, como por ejemplo las CM7, hasta el punto de que puede producirse un aumento significativo del nivel de detalle en comparación con el que estaba acostumbrado a percibir el usuario; en un primer momento, el sonido puede aparecer excesivamente "adelantado" y quizá un poco duro. Después de un largo período de

tiempo, el sonido parecerá más suave aunque sin perder claridad ni detalle.

## Cuidado y Mantenimiento

Por regla general, la superficie del recinto sólo requiere que se le quite el polvo. Si desea utilizar un limpiador de tipo aerosol, retire en primer lugar cuidadosamente la rejilla protectora y aléjela del recinto. Rocíe sobre la gamuza limpiadora, nunca directamente sobre el recinto. La tela de la rejilla protectora puede limpiarse con un cepillo normal para la ropa mientras está separada del recinto. Evite tocar los altavoces, en especial el tweeter, ya que podría provocar daños en los mismos.

Aunque para la superficie del recinto hemos elegido las mejoras chapas de madera disponibles en el mercado, le rogamos que tenga en cuenta que, al igual que sucede con todos los materiales naturales, dichas chapas reaccionarán frente a las condiciones de su entorno. En consecuencia, le sugerimos que mantenga el producto alejado de fuentes de calor directas, como por ejemplo radiadores y corrientes de aire caliente, para evitar el riesgo de posibles fisuras. Para minimizar los cambios de color con el tiempo, la madera está tratada con un esmalte resistente a la radiación ultravioleta. No obstante, ello no puede impedir que se produzcan pequeñas variaciones al respecto. Este efecto puede ser particularmente perceptible en la zona cubierta por la rejilla o en áreas mantenidas a la sombra, donde el cambio es más lento que en otras zonas. Las diferencias de color pueden ser corregidas exponiendo por igual todas las superficies chapadas a la luz solar hasta que el color sea uniforme. Este proceso puede tardar varios días o incluso semanas en completarse, pero puede ser acelerado utilizando con las debidas precauciones una lámpara de rayos ultravioleta.

## Garantía limitada

Este producto ha sido diseñado y fabricado de acuerdo con las más altas normas de calidad. No obstante, si hallara algún desperfecto B&W Group Ltd. y sus distribuidores nacionales garantizan, sin coste alguno para usted, la mano de obra (es posible que haya excepciones) y la reposición de piezas en cualquier país donde se cuente con un distribuidor autorizado de B&W.

Esta garantía limitada es válida por un período de cinco años desde la fecha de compra y de dos años para las partes electrónicas, incluyendo sistemas de altavoces amplificados.

### Términos y condiciones

- 1 Esta garantía está limitada a la reparación del equipo. La garantía no cubre ni el transporte, ni otros costes, ni ningún riesgo por traslado, transporte e instalación de los productos.
- 2 La garantía será aplicable exclusivamente para el propietario original. No es transferible.

- 3 Esta garantía tendrá validez solamente si se trata de materiales defectuosos y/o de fabricación existentes en el momento de la compra, y no será válida en los siguientes casos:
  - a. daños causados por instalación, conexión o embalaje inapropiados,
  - b. daños causados por uso inapropiado que no se corresponda con el uso correcto tal como se describe en el manual del usuario, negligencia, modificaciones o la utilización de piezas no originales de fábrica o no autorizadas por B&W,
  - c. daños causados por equipos auxiliares defectuosos o inapropiados,
  - d. daños causados por accidentes, relámpagos, agua, incendios, calor, guerra, disturbios sociales u otra causa ajena al control razonable de B&W y de sus distribuidores autorizados,
  - e. productos cuyo número de serie haya sido modificado, borrado, retirado o convertido en ilegible,
  - f. si una persona no autorizada ha efectuado alguna reparación o modificación en el producto.
- 4 Esta garantía complementa cualquier obligación legal a nivel nacional/regional de concesionarios o distribuidores nacionales y, como cliente, no afecta a sus derechos estatutarios.

### Cómo solicitar reparaciones bajo garantía

En caso de ser necesaria alguna revisión, siga el siguiente procedimiento:

- 1 Si está usando el equipo en el país en que fue adquirido, debería contactar con el concesionario autorizado de B&W en donde lo adquirió.
- 2 Si el equipo está siendo utilizado fuera del país en que fue adquirido, debería contactar con el distribuidor nacional de B&W correspondiente al país donde reside, que le asesorará sobre el lugar al que enviarlo para que pueda ser revisado. Para obtener información sobre cómo contactar con su distribuidor local, puede llamar a B&W en el Reino Unido o visitar nuestro sitio web.

Para validar su garantía, deberá mostrar el folleto de garantía debidamente cumplimentado y con la fecha de compra estampada por su concesionario.

# Português

## Manual do utilizador

Estimado Cliente,

Obrigado por ter escolhido a Bowers & Wilkins. Por favor leia totalmente este manual antes de desembalar e instalar o produto. Ajuda-lo-á a otimizar a sua performance. A B&W é distribuída em mais de 60 países no mundo inteiro e mantém uma rede de distribuidores dedicados que serão capazes de o ajudar no caso de surgirem problemas que o lojista não consiga resolver.

### Informação Ambiental



Todos os produtos B&W são desenhados de molde a cumprir com as directivas internacionais de Restrição de Substâncias

Perigosas (RoHS) em material eléctrico e electrónico e o desperdício de Lixo de Equipamento Eléctrico Electrónico (WEEE). Estes símbolos indicam o cumprimento e que os produtos devem ser correctamente reciclados ou processados de acordo com estas directivas. Consulte a organização local de recolha de desperdícios para uma orientação sobre a forma correcta de se desfazer deste equipamento.

### Conteúdo da Caixa

Verifique se a mesma contém:

- 1 Cilindro de espuma
- 1 Pack de acessórios:
  - 4 spikes M6
  - 4 pés de borracha
  - 4 porcas de travamento (10mm)

### Instalação da Coluna

As colunas são indicadas para montagem no chão. É importante assegurar que as colunas ficam firmes no chão através do uso sempre que possível dos spikes fornecidos. Os spikes são desenhados para perfurar a carpete e assentar na superfície do chão. Inicialmente, enrosque as porcas de travamento nos spikes o suficiente para que estas fiquem a flutuar a cima da carpete quando os spikes assentam no chão por de baixo. Aparafuse totalmente os spikes nos orifícios da base da caixa. Se a caixa abanar quando colocada no chão, desaperte os dois spikes que não tocam no chão até que a caixa permaneça firmemente sem abanar. Finalmente, aperte as porcas contra a caixa. Poderá ser mais conveniente colocar e ajustar os spikes após o posicionamento das coluna ter sido otimizado.

Se não existir carpete e desejar evitar riscar a superfície do chão, utilize quer discos de metal protectores (talvez uma moeda) entre o spike e o chão ou utilize os pés de borracha fornecidos. Coloque os pés de borracha e nivele a caixa da mesma forma que com os spikes.

### Posicionamento das colunas

Normalmente vale a pena ajustar o posicionamento das colunas a seguir à instalação inicial das mesmas pois provavelmente melhorará a qualidade de som.



Quer em instalações estéreo ou de cinema em casa tente assegurar que o espaço envolvente de cada coluna é similar em carácter. Por exemplo, se uma coluna está na proximidade de paredes nuas enquanto a outra está próxima de mobiliário macio e cortinas, é provável que tanto a qualidade de som global como a imagem estéreo fiquem comprometidas.

### Sistemas Estéreo Convencionais

Para começar, as colunas deverão ser posicionadas entre 1,5m e 3m uma da outra e nos cantos de um triângulo equilátero completado pela posição de audição no terceiro canto. As colunas devem estar aproximadamente a 0,5m afastadas da parede traseira e pelo menos a 0,5m das paredes laterais. A Figura 1a ilustra esta configuração.

### Sistemas de Cinema em Casa

Se as colunas forem utilizadas como canais frontais num sistema de cinema em casa, devem ser colocadas mais próximas uma da outra do que em áudio de 2-canal porque os canais de surround tendem a alargar a imagem. Posicionando as colunas a aproximadamente 0,5m das laterais do écran ajudará a imagem Sonora em escala com a imagem visual. A altura das colunas deverá situar-se algures entre o centro do écran e a altura da coluna central. Tal como com o posicionamento convencional em estéreo, as colunas deverão idealmente estar afastadas aproximadamente 0,5m da parede traseira 0,5m das paredes laterais.

### Campos Magnéticos

As unidades das colunas criam campos magnéticos que se estendem para além dos limites exteriores da caixa. Recomendamos que mantenha artigos sensíveis a estes campos (televisores CRT e monitores de computador, discos rígidos, cassetes de áudio e vídeo, cartões informáticos e semelhantes) a pelo menos 0,5m da coluna.

### Ligações

Todas as ligações devem ser feitas com os equipamentos desligados.

Existem 2 pares de terminais interligados na traseira da coluna. Para uma ligação convencional os links dos terminais devem ser mantidos no lugar (como fornecido) e apenas um dos pares deve ser ligado ao amplificador. Para uma ligação em bi-cablagem os links dos terminais devem ser removidos e cada um dos pares de terminais deve ser ligado ao amplificador de forma independente. A bicablagem pode melhorar a resolução do detalhe de baixo nível. As Figuras 2a e 2b ilustram a ligação convencional e de bi-cablagem.

Assegure-se que os terminais positivos na coluna (marcados + e de cor vermelha) estão ligados ao terminal de saída positivo do amplificador e os terminais negativos na coluna (marcados - e de cor preta) estão ligados ao terminal negativo de saída no amplificador. A ligação incorrecta pode resultar numa imagem sonora pobre e perda de baixos.

Peça na sua loja um conselho quando seleccionar um cabo de coluna. Mantenha a impedancia total abaixo do máximo recomendado nas especificações das colunas e utilize cabo de baixa inductância de molde a evitar atenuação de altas frequências.

### Afinação

Antes de afinar, assegure-se que todas as ligações estão correctas e seguras.

Afastar mais as colunas das paredes, normalmente reduzirá a quantidade de graves. O espaço por detrás das colunas ajudará igualmente a criar uma impressão de profundidade. Inversamente, mover as colunas para mais perto das paredes aumentará o volume de graves. Se pretender reduzir o volume de graves sem afastar as colunas das paredes, coloque os cilindros de esponja nos tubos do pórtico como ilustrado na Figura 3.

Se os graves parecem irregulares com a frequência isto será provavelmente consequência de modos de ressonância da sala de audição. Até pequenas alterações no posicionamento das colunas ou do ponto de audição podem ter um efeito profundo na forma como estas ressonâncias afetam o som. Tente alterar o ponto de audição o colocar as colunas ao longo de uma parede diferente. A presença e posicionamento de grandes peças de mobiliário poderá igualmente influenciar os modos de ressonância.

Se faltar focagem à imagem central, tente aproximar as colunas uma da outra ou apontá-las para dentro de forma a que apontem para um ponto logo à frente do ponto de audição. A Figura 1b ilustra as colunas apontando para dentro.

Se o som for muito brilhante, o aumento da quantidade de mobiliário macio na sala (por exemplo, cortinas mais grossas) pode ajudar a equilibrar o som. Inversamente reduzir a quantidade desse tipo de mobiliário pode ajudar a dar brilho a um som amortecido.

Algumas salas sofrem de eco – eco que "balança" entre paredes paralelas. Este tipo de eco pode colorir o som das colunas na sala. Teste o eco da sua sala batendo as palmas no meio da mesma. Este poderá ser reduzido através da colocação de peças de forma irregular ou com superfícies não reflectoras, como por exemplo, estantes de livros, tapeçarias ou telas, numa das paredes ou chão.

Assegure-se que a coluna se mantém firme no chão. Se apropriado, utilize os spikes para perfurar a alcatifa e ajuste-os para anular qualquer irregularidade.

### Periodo de Rodagem

A performance da coluna mudará subtilmente durante o período inicial de escuta. Se a coluna tiver sido armazenada num ambiente frio, os materiais de amortecimento e suspensão das unidades levarão algum tempo até recuperarem as suas propriedades mecânicas correctas. As suspensões das unidades ganharão flexibilidade durante as primeiras horas de uso. O tempo requerido para que a coluna atinja a performance pretendida varia consoante as condições

de armazenamento e a forma como é utilizada. Como guia, permita até uma semana para os efeitos de temperatura estabilizarem e 15 horas de utilização média para que as partes mecânicas alcancem as suas características.

Períodos mais longos (algo como um mês) têm sido relatados, no entanto existem evidências que sugerem que isto pouco tem que ver com as alterações das colunas e mais com o facto de o ouvinte se ir habituando ao novo som. Isto acontece especialmente com colunas altamente reveladoras como estas, em que poderá existir um significativo aumento na quantidade de informação comparativamente com o que o ouvinte estava habituado; o som inicialmente poderá parecer algo "frontal" e talvez um pouco duro. Depois de extensivo período de tempo o som parece suavizar, mas sem perder clareza e detalhe.

### Manutenção

A superfície da caixa normalmente apenas requer limpeza do pó. Se desejar utilizar um spray de limpeza, em primeiro lugar retire a grelha, puxando-a gentilmente da caixa. Pulverize para o pano de limpeza e não directamente na caixa. O tecido da grelha poderá ser limpo com uma simples escova de tecido enquanto a grelha se encontra fora da mesma. Evite tocar nas unidades, especialmente no tweeter, já que poderá danificá-lo.

Escolhamos os melhores folheados de madeira para a superfície da caixa, mas leve em linha de conta, que tal como todos os materiais naturais, o folheado responderá ao ambiente envolvente. Mantenha o produto afastado de fontes de calor directo como radiadores e ventiladores de ar quente para evitar o risco de estalar. A madeira é tratada com um verniz resistente aos ultravioletas de forma a minimizar alterações de coloração com o tempo, mas deve ser esperado algum nível de alteração. Este efeito pode ser particularmente notado onde a área coberta pela grelha, ou áreas mantidas na sombra, mudam mais lentamente que outras. As diferenças de coloração podem ser rectificadas pela exposição de todas as superfícies de forma igual e homogênea à luz solar até que a cor se torne uniforme. Este processo poderá levar vários dias ou mesmo semanas, mas poderá ser acelerado pela utilização cuidada de uma lâmpada de ultravioletas.

## Garantia limitada

Este produto foi concebido e fabricado de acordo com os mais elevados padrões de qualidade. No entanto, se houver qualquer problema com o mesmo, a B&W e os seus distribuidores internacionais garantem o serviço de mão-de-obra (podendo-se aplicar exclusões) e de substituição de peças gratuitos em qualquer país servido por um distribuidor oficial de B&W.

Esta garantia limitada é válida por um período de cinco anos a partir da data de compra ou dois anos pela parte electrónica incluindo altifalantes amplificadas.

### Termos e condições

- 1 Esta garantia limita-se à reparação do equipamento. Nem transporte, nem quaisquer outros custos, nem qualquer risco de remoção, transporte e instalação de produtos estão cobertos por esta garantia.
- 2 A garantia só é válida para o proprietário original. Não é transferível.
- 3 Esta garantia não será aplicável nos casos em que os defeitos não sejam atribuíveis a materiais e/ou mão-de-obra na altura da compra e não será aplicável a:
  - a. danos causados pela instalação, ligação ou embalamento incorrectos,
  - b. danos causados por qualquer utilização que não seja a correcta conforme descrita no manual do utilizador, negligência, modificações ou utilização de peças que não sejam fabricadas ou autorizadas pela B&W,
  - c. danos causados por equipamento auxiliar inadequado ou defeituoso,
  - d. danos causados por acidentes, relâmpagos, água, incêndio, calor, guerra, distúrbios públicos ou qualquer outra causa para além do controlo razoável da B&W e dos seus distribuidores nomeados,
  - e. produtos cujo número de série tenha sido alterado, apagado, removido ou que tenha sido tornado ilegível,
  - f. reparações ou modificações que tenham sido efectuadas por pessoa não autorizada.
- 4 Esta garantia complementa quaisquer obrigações legais nacionais e regionais de revendedores ou distribuidores nacionais e não afecta os seus direitos estatutários como cliente.

### Como reivindicar reparações sob garantia

Caso seja necessário assistência técnica, queira seguir o procedimento seguinte:

- 1 Se o equipamento está a ser utilizado no país de compra, deverá contactar o distribuidor autorizado da B&W de onde o equipamento foi comprado.
- 2 Se o equipamento está a ser utilizado fora do país de compra, deverá contactar o distribuidor nacional da B&W do país de residência que o aconselhará onde o equipamento pode ser reparado. Pode telefonar para a B&W no Reino Unido ou visitar a nossa página na internet para obter os pormenores de contacto do seu distribuidor local.

Para validar a sua garantia, precisará de preencher a mesma devendo esta ser carimbada pelo seu distribuidor na data da compra.

# Italiano

## Manuale di istruzioni

Egregio cliente.

Grazie per aver scelto Bowers & Wilkins.

Vi preghiamo di leggere l'intero manuale prima di sballare ed installare il prodotto. In questo modo otterrete il meglio dalla sua resa sonora. B&W ha una rete di distributori in più di 60 paesi che saranno in grado di assistervi nel caso in cui avete dei problemi che il vostro rivenditore non può risolvere.

### Informazioni per l'ambiente



Tutti i prodotti B&W sono realizzati in conformità con le normative internazionali: Restriction of Hazardous

Substances (RoHS) per apparecchi elettronici ed elettrici, ed alle norme Waste Electrical and Electronic Equipment (WEEE). Questi simboli indicano la compatibilità con queste norme, e che il prodotto deve essere riciclato o smaltito in ottemperanza a queste direttive. Consultate l'autorità competente locale per maggiori dettagli sulle modalità di smaltimento.

### Contenuto dell'imbalo

Verificare che siano presenti le seguenti parti:

- 1 cilindro di spugna
- 1 set di accessori contenente:
  - 4 piedini a punta M6
  - 4 piedini in gomma
  - 4 dadi di bloccaggio (da10mm)

### Installazione del diffusore

Questi diffusori sono stati progettati per l'utilizzo a pavimento. È importante assicurarsi che i diffusori siano posizionati in modo adeguato sulla superficie del pavimento senza oscillare, utilizzando i piedini a punta in dotazione quando possibile; questi piedini sono realizzati per passare attraverso il tappeto ed appoggiarsi sul pavimento. Per prima cosa, avvitate i dadi di bloccaggio sui piedini in modo che rimangano al di sopra del tappeto quando poggiano sul pavimento sottostante. Avvitate completamente i piedini negli inserti filettati posti alla base del cabinet. Se il diffusore non è stabile sul pavimento, svitate i due piedini che non toccano il pavimento finché il diffusore non è stabile su tutti e quattro i piedini. Infine, serrate i dadi sul cabinet. In alcuni casi potrebbe essere più facile regolare i piedini dopo avere trovato l'ottimale collocazione del diffusore.

Se non avete tappeti o preferite non utilizzare i piedini a punta per evitare graffi alla superficie del pavimento, potete utilizzare un disco di metallo (ad esempio una moneta) tra il piedino ed il pavimento, oppure utilizzate i piedini in gomma forniti in dotazione. Applicare i piedini in gomma e livellate il diffusore seguendo la stessa procedura indicata per i piedini a punta.

### Posizionamento del diffusore

Dopo avere effettuato l'installazione iniziale, la regolazione della posizione dei diffusori aumenterà sicuramente la qualità sonora del sistema.

Sia in sistemi stereo che home theatre cercate di mantenere le stesse condizioni ambientali per ogni diffusore, che potrebbero influire sulla resa acustica dei diffusori. Per esempio, se un diffusore è vicino ad un muro e l'altro diffusore è vicino ad una tenda o ad un mobile, sia l'immagine stereo che la qualità del suono potrebbero essere compromesse.

### Sistemi stereo convenzionali

Per iniziare, i diffusori dovrebbero posizionati tra 1.5m e 3m di distanza tra loro ai due angoli di un triangolo equilatero formato con la posizione di ascolto come terzo angolo. I diffusori dovrebbero essere distanti circa 0.5m dal muro posteriore, ed almeno a 0.5m dai muri laterali. La figura 1a illustra questa configurazione.

### Sistemi Home Theatre

Se i diffusori vengono utilizzati come canali frontali in un sistema home theatre, dovrebbero essere posizionati più vicino tra loro rispetto ad un sistema 2 canali, perché i canali surround tendono ad allargare l'immagine sonora. Posizionate gli altoparlanti a circa 0,5 m di distanza dai lati dello schermo, per adeguare l'immagine sonora alla grandezza visiva dello schermo. Come per i sistemi stereo convenzionali, i diffusori dovrebbero essere distanti circa 0.5m dal muro posteriore, ed almeno a 0.5m dai muri laterali

### Campi magnetici dispersi

Le unità altoparlanti creano campi magnetici dispersi che si estendono al di là del cabinet. Vi raccomandiamo di tenere lontani i prodotti sensibili ai campi magnetici (televisori CRT, schermi per computer, dischi per computer, tessere magnetiche, nastri audio e video e simili), almeno a 0,5 m dal diffusore.

### Collegamenti

Tutti i collegamenti dovrebbero essere effettuati con gli apparecchi spenti.

Sul retro del diffusore vi sono due coppie di terminali collegati fra loro. Per un normale collegamento i collegamenti tra i terminali dovrebbero rimanere in posizione (come li trovate), basterà collegare solo una coppia di terminali alle uscite dell'amplificatore. Per effettuare un collegamento bi-wiring dovete rimuovere i collegamenti tra i terminali e collegare ogni coppia di terminali indipendentemente all'amplificatore; questo tipo di connessione può aumentare la risoluzione dei dettagli in bassa frequenza. Le figure 2a e 2b illustrano il collegamento convenzionale ed il bi-wiring.

Assicuratevi che i terminali positivi del diffusore (indicati con + e di colore rosso) siano collegati al terminale di uscita positivo dell'amplificatore, ed i terminali negativi (indicati con - e di colore nero) al negativo. La non osservanza della polarità darà luogo ad una inadeguata riproduzione dell'immagine sonora ed ad una perdita di bassi.

Chiedete consiglio al vostro rivenditore sulla scelta dei cavi per i diffusori. Controllate che l'impedenza totale sia inferiore a quella massima raccomandata nelle caratteristiche dei diffusori, ed utilizzate un cavo a bassa induttanza per evitare l'attenuazione delle frequenze più alte.

### **Regolazione fine**

Prima di eseguire la messa a punto del sistema, riconrollate nuovamente la polarità ed i collegamenti.

Spostando ulteriormente i diffusori dalle pareti si ridurrà il livello complessivo dei bassi. Lo spazio dietro ai diffusori contribuisce a dare un senso di profondità. Al contrario, spostando i diffusori più vicini alle pareti aumenterà il livello dei bassi. Se volete ridurre i bassi e non potete allontanare ulteriormente i diffusori dalle pareti, inserite i tappi di spugna nei raccordi come indicato in Figura 3.

Se il basso sembra irregolare con la frequenza, è generalmente dovuto all'effetto di risonanza della stanza.

Anche piccoli cambiamenti nella posizione dei diffusori o dell'ascoltatore possono avere grande influenza sul modo in cui queste risonanze alterano il suono. Provate a cambiare posizione di ascolto o a posizionare i diffusori su una parete diversa. Anche la presenza o lo spostamento di grandi mobili può dare dei buoni risultati.

Se l'immagine sonora centrale non vi sembra adeguata, provate a posizionare i diffusori più vicini tra loro o orientateli maggiormente verso la posizione di ascolto. Nella Figura 1b sono illustrati i diffusori orientati verso l'interno.

Se il suono è troppo acuto, aumentate l'arredamento in tessuto della stanza (per esempio, utilizzate tendaggi più pesanti), oppure riducetelo se il suono è opaco e spento.

Alcune stanze ricreano un fastidioso effetto eco: i suoni potrebbero rimbalzare tra muri paralleli o adiacenti. Questo effetto potrebbe influire negativamente sul suono dei diffusori nella stanza. Controllate l'effetto eco battendo le mani al centro della stanza. Potete limitare questo effetto facendo uso di superfici irregolari o non riflettenti come librerie, grandi mobili, quadri o tappeti su uno dei muri o sul pavimento adiacente al muro.

Assicuratevi che gli stand dei diffusori siano in posizione perfettamente verticale e che non ondegino sul pavimento. Se necessario utilizzate i piedini a punta, regolandoli per adeguarli ad eventuali avvallamenti o sconnessioni del pavimento.

### **Periodo di rodaggio**

Le prestazioni del diffusore cambieranno notevolmente dopo il periodo iniziale di ascolto. Se il diffusore è stato immagazzinato in un ambiente freddo, i componenti degli altoparlanti avranno bisogno di qualche tempo per recuperare le loro proprietà meccaniche naturali. Anche le sospensioni dell'altoparlante si allenteranno durante le prime ore di utilizzo. Il tempo necessario al diffusore per

raggiungere le sue normali prestazioni varia in base alle condizioni di immagazzinamento precedenti e da come vengono usati. In genere, ci vorrà circa una settimana per stabilizzare gli effetti della temperatura, ed in media 15 ore di funzionamento perché le parti meccaniche riprendano le loro caratteristiche di base

Comunque, è stato provato che anche con periodi di rodaggio più lunghi (circa un mese) non sono stati notati cambiamenti sostanziali nei diffusori; questo anche perché l'ascoltatore comincia ad abituarsi al nuovo suono dei diffusori. Con diffusori di elevata qualità come questi, potreste notare un significativo incremento nella quantità dei dettagli se comparati con il tipo di suono a cui eravate abituati in precedenza; all'inizio il suono potrebbe sembrarvi troppo "diretto" e forse duro. Dopo un certo periodo di tempo il suono sembrerà più dolce, ma senza perdita di chiarezza e dettaglio.

### **Manutenzione**

La superficie del cabinet solitamente deve essere solo spolverata. Se volete utilizzare un apposito prodotto spray antistatico per pulirlo, prima rimuovete le griglie tirandole delicatamente verso l'esterno del cabinet. Spruzzate il prodotto sul panno, non direttamente sul cabinet. Per pulire il tessuto delle griglie, potete utilizzare una normale spazzola per panni, passandola delicatamente sulla griglia dopo che è stata tolta dal diffusore. Evitate di toccare gli altoparlanti, specialmente i tweeter, poiché potrebbero danneggiarsi.

Abbiamo scelto il legno migliore per il cabinet, ma tenete conto che, come tutti i materiali naturali, il legno subisce l'influenza degli agenti esterni. Tenete il prodotto lontano da fonti di calore diretto, come ad esempio termosifoni o termoconvettori, per evitare il rischio che il legno si possa incrinare o gonfiare. È normale che sulla superficie, pur essendo trattata con apposite vernici resistenti ai raggi ultravioletti per limitare le variazioni della tonalità del colore nel tempo, si possano notare variazioni di colore. La differenza di tonalità potrebbe essere maggiormente notata confrontando il colore del legno del cabinet con quello nella zona coperta dalla griglia di protezione, o in punti che rimangono in ombra, che varieranno la loro tonalità molto più lentamente rispetto ad altre aree del cabinet esposte alla luce. La differenza di colore possono essere eliminate esponendo la superficie alla luce del sole fino a che il colore sarà uniforme a tutto il resto del cabinet. Questo processo può richiedere diversi giorni o anche settimane, ma può essere velocizzato utilizzando con cautela una lampada a raggi ultra-violetti.

## **Garanzia limitata**

Questo prodotto è stato progettato e fabbricato secondo i più alti standard qualitativi. Tuttavia, nell'improbabile caso di un guasto o malfunzionamento, B&W Group Ltd. e i suoi distributori nazionali garantiscono parti sostitutive e mano d'opera gratuite (alcune eccezioni sono possibili)

nei paesi in cui è presente un distributore ufficiale B&W.

Questa garanzia limitata è valida per un periodo di cinque anni dalla data di acquisto o di due anni per i componenti elettronici, diffusori attivi inclusi.

### Termini e condizioni

- 1 La garanzia è limitata alla sola riparazione delle apparecchiature. La garanzia non copre i costi di trasporto o nessun altro tipo di costo, né i rischi derivanti dalla rimozione, il trasporto e l'installazione dei prodotti.
- 2 La garanzia è valida solo per l'acquirente originario e non è trasferibile.
- 3 Questa garanzia è applicabile solo in caso di materiali e/o fabbricazione difettosi al momento dell'acquisto e non è applicabile nei seguenti casi:
  - a. danni causati da installazione, connessione o imballaggio incorretti,
  - b. danni causati da un uso inadeguato del prodotto, diverso dall'uso specificato nel manuale dell'utente, negligenza, modifiche o impiego di componenti non fabbricati o autorizzati da B&W,
  - c. danni causati da apparecchiature ausiliarie difettose o inadatte,
  - d. danni causati da incidenti, fulmini, acqua, fiamme, calore, guerra, disordini pubblici o altra causa al di fuori del ragionevole controllo di B&W e dei suoi ufficiali distributori,
  - e. quando il numero di serie del prodotto è stato alterato, cancellato, rimosso o reso illeggibile,
  - f. se riparazioni o modifiche sono state effettuate da personale non autorizzato.
- 4 Questa garanzia completa le obbligazioni di legge regionali e nazionali dei rivenditori o distributori nazionali e non incide sui diritti del consumatore stabiliti per legge.

### Riparazioni in garanzia

Se sono necessarie delle riparazioni, seguire le procedure delineate qui di seguito:

- 1 Se le apparecchiature sono utilizzate nel paese in cui sono state acquistate, contattare il rivenditore autorizzato B&W da cui sono state acquistate.
- 2 Se le apparecchiature non sono utilizzate nel paese in cui sono state acquistate, contattare il distributore nazionale B&W nel paese di residenza, che sarà in grado di fornire i dettagli della ditta incaricata delle riparazioni. Contattare B&W nel Regno Unito o visitare il sito web per i dettagli dei vari distributori di zona.

Per ricevere assistenza in garanzia, bisognerà esibire, compilata e timbrata dal rivenditore il giorno dell'acquisto, il tagliando di garanzia e lo scontrino d'acquisto originale o altro tipo di prova d'acquisto con data d'acquisto.

# Nederlands

## Handleiding

Geachte cliënt,

Dank u voor het kiezen van een Bowers & Wilkins product. Om optimaal plezier van uw nieuwe aanwinst te hebben is het verstandig om, voordat u het product uitpakt en installeert, eerst de handleiding in zijn geheel te lezen. B&W heeft een netwerk van toegeweide distributeurs in meer dan 60 landen, die u zullen helpen in het geval u een probleem heeft dat uw handelaar niet kan oplossen.

### Milieu



De producten van B&W zijn ontwikkeld conform de internationale richtlijnen omtrent de Restriction of Hazardous Substances (RoHS – Beperking van Gevaarlijke Stoffen) in elektrische en elektronische apparatuur en de verwerking van Waste Electrical and Electronic Equipment (WEEE – Afgedankte Elektrische en Elektronische Apparatuur). Deze symbolen geven aan dat aan deze richtlijnen wordt voldaan en dat het product op de juiste manier dient te worden gerecycled of bewerkt in overeenstemming met deze richtlijnen. Raadpleeg zonodig de plaatselijke milieudienst voor nadere informatie.

### Inhoud

Controleer of de verpakking het volgende bevat:

- 1 Schuim dop
- 1 Doos toebehoren met de volgende inhoud:
  - 4 stuks M6 spikes
  - 4 stuks rubber voetjes
  - 4 contramoeren (voor 10 mm sleutel)

### Installatie

Deze luidsprekers zijn uitsluitend bedoeld voor opstelling op de vloer. Het is belangrijk dat de luidsprekers stevig op de vloer staan, indien maar enigszins mogelijk op de bijgevoegde spikes. Deze spikes zijn bedoeld om door het tapijt heen te prikken, zodat de luidspreker op de vloer eronder staat. Schroef in eerste aanleg de contramoeren zover op de spikes dat de moeren vrij blijven van het tapijt terwijl de spikes op de onderliggende vloer staan. Schroef de spikes dan geheel in de openingen in de voet van de kast. Wanneer de luidspreker niet stabiel staat en wiebelt, schroef van de beide spikes die de vloer niet raken wat verder naar buiten tot de kast niet meer wiebelt. Tot slot draait u de contramoeren vast tegen de kast. Het is verstandig de spikes vast te zetten nadat de optimale luidsprekeropstelling is gevonden.

Bij andere vloeren dan tapijt kunt u krassen op de vloer voorkomen door ter bescherming een metalen schijf – een munstuk bijvoorbeeld – tussen de spikes en de vloer te gebruiken; ook kunt u de rubber voetjes gebruiken. Breng de rubber voetjes op dezelfde wijze aan als de spikes en stel ze op dezelfde manier af.

## Luidsprekeropstelling

Experimenteren met de luidsprekeropstelling nadat deze is geïnstalleerd zal vaak de geluidskwaliteit verder verbeteren en is daarom bijna altijd de moeite waard.

Zowel bij stereo- als bij home theater systemen is het verstandig te streven naar een identieke directe akoestische omgeving voor alle luidsprekers. Wanneer bijvoorbeeld één luidspreker dichtbij een kale wand is geplaatst en de andere in de nabijheid van zachte meubilering of gordijnen, dan zullen zowel de algehele geluidskwaliteit als het stereobeeld daar onder lijden.

## Conventionele Stereosystemen

Als uitgangspunt worden de luidsprekers 1,5 tot 3 meter uit elkaar geplaatst, zodanig dat zij zich beide even ver van het luistergebied bevinden. Het verdient de voorkeur een luidspreker ca. 0,5 m van de achterwand en minimaal 0,5 m van de zijwanden te plaatsen. In afbeelding 1a is deze situatie geschetst.

## Home Theater Systemen

Wanneer de luidsprekers worden gebruikt voor de front kanalen in een home theater systeem, dienen ze iets dichterbij elkaar te staan dan bij tweekanaal stereo omdat de surround kanalen het klankbeeld verbreden. Opstelling van de luidsprekers op 0,5 m ter weerszijden van het beeldscherm houdt het klankbeeld in de juiste verhouding met de grootte van het beeldscherm. Net als bij conventionele stereo-opstelling dienen de luidsprekers liefst ca. 0,5 m van de achterwand te blijven en eveneens 0,5 m van de zijwanden.

## Magnetisch Strooiveld

De luidsprekereenheden veroorzaken een magnetisch strooiveld dat ook buiten de kast merkbaar is. Wij raden u aan magnetisch gevoelige zaken (beeldschermen met een beeldbuis, computerdiscs, audio- en videobanden, creditcards, enz.) minimaal op een afstand van 0,5 m van de luidspreker te houden.

## Aansluitingen

Voordat u apparatuur aansluit of iets aan de verbindingen verandert, altijd eerst alle apparatuur uitschakelen.

Op de achterzijde van de luidspreker bevinden zich twee stel doorverbonden aansluitingen. Voor conventionele aansluiting blijven de doorverbindingen op hun plaats (als bij aflevering) en wordt slechts één paar aansluitingen met de versterker verbonden. Voor bi-wire aansluiting dienen de doorverbindingen te worden verwijderd en wordt elk paar afzonderlijk met de versterker verbonden. Bi-wiring kan de resolutie van zachte details verbeteren. In afbeelding 2a en 2b worden beide aansluitmethoden aangegeven.

Zorg ervoor dat de positieve aansluitingen van de luidspreker (rood gekleurd en van een + voorzien) met de positieve uitgang van de versterker worden verbonden en de negatieve aansluitingen van de luidspreker (zwart gekleurd en van een - voorzien) met de negatieve uitgang van de versterker worden verbonden. Foutieve aansluiting geeft een minder goed ruimtebeeld en verlies aan bas.

Vraag uw leverancier advies over de keuze van de luidsprekerkabel. Houd de totale weerstand beneden het maximum dat in de specificaties is aangegeven en gebruik een kabel met een lage inductie om verzwakking van hoge frequenties te voorkomen.

## Fijnafstemming

Controleer voordat u aan het fijnafstemmen begint, of alle verbindingen correct en stevig zijn geïnstalleerd.

Door de luidsprekers verder van de wand te plaatsen zal in het algemeen het laag afnemen. De ruimte achter de luidsprekers verhoogt ook de ruimtelijke indruk op het gehoor. Omgekeerd, door de luidsprekers dichterbij de wand op te stellen, neemt het laag juist toe. Wanneer u het laag wilt reduceren zonder de luidsprekers verder van de wand te plaatsen, drukt u de schuimrubber doppen in de poorten als aangegeven in afbeelding 3.

Wanneer het laag niet op alle frequenties evenwichtig is, ligt dat meestal aan resonanties ergens in de luister ruimte. Zelfs kleine wijzigingen in de luidsprekeropstelling of de luisterpositie kunnen een behoorlijke invloed hebben op het effect van deze resonanties op de klank. Probeer de luisterpositie te wijzigen en de luidsprekers bijvoorbeeld voor een andere wand te zetten. Ook de aanwezigheid en positie van grote meubels hebben invloed op deze resonanties.

Wanneer het centrale geluidsbeeld vaag is, probeer dan de luidsprekers dichterbij elkaar te zetten en ze te richten op een punt juist vóór de luisterpositie. In afbeelding 1b ziet u hoe de luidsprekers naar binnen zijn gericht.

Is het geluid te helder, dan kan het aanbrengen van zachtere stoffering in de kamer (zwaardere gordijnen bijvoorbeeld) een betere balans bewerkstelligen. Omgekeerd kan het reduceren van zachte stoffering een donkere klank helderder maken.

Sommige kamers hebben last van een 'repeterende echo', echo's die op en neer kaatsen tussen parallelle wanden. U kunt dat testen door in het midden van de kamer in uw handen te klappen. Dit soort echo's wordt gereduceerd door onregelmatig gevormde meubels of door niet-reflecterende vlakken te creëren, zoals boekenplanken, gobelins of schilderijen tegen één van de wanden, of een tapijt op de vloer.

Controleer of de luidsprekerstands recht en stevig op de vloer staan. Gebruik zonodig tapijtspikes en corrigeer eventuele ongelijkheid.

## Inspelen

De eigenschappen van de luidspreker zullen gedurende de eerste luisterperiode op subtiele wijze veranderen. Wanneer de luidspreker in een koude omgeving opgeslagen is geweest, zijn de dependende materialen en de ophanging wat stijf en het duurt enige tijd voordat zij de juiste mechanische eigenschappen terug hebben. Ook zal de ophanging in de eerste uren van het gebruik nog wat soepeler worden. De tijd die de luidspreker nodig heeft om de beoogde eigenschappen te bereiken, wordt bepaald door de wijze waarop hij voorheen is opgeslagen en

de manier waarop hij wordt gebruikt. Houd als richtlijn een week aan om een stabiele temperatuur te bereiken en ca. 15 uur gebruik om de mechanische onderdelen de beoogde eigenschappen te laten verkrijgen.

Maar ook langere inspeeltijden zijn gerapporteerd (tot een maand) en er zijn ook aanwijzingen dat dit minder te maken heeft met veranderingen van eigenschappen van de luidspreker als met de gewenning van de luisteraar aan de nieuwe klank. Dat geldt vooral voor luidsprekers als deze, die in hoge mate laten horen wat de werkelijke inhoud van de opname is en daarmee een grotere detaillering in vergelijking tot wat de luisteraar voorheen was gewend. Aanvankelijk kan het geluid wat direct en zelfs enigszins hard lijken. Na enige tijd lijkt het geluid zachter te worden, maar zonder aan tekening en detaillering te verliezen.

## Nazorg

De kast van de luidsprekers behoeft normaal gesproken alleen maar te worden afgestoft. Wilt u een schoonmaakspray gebruiken, verwijder dan eerst de grill door deze voorzichtig van de kast te trekken. Spuit op een zachte doek en nooit direct op de kast. De stof van de grill kan met een gewone kledingborstel worden schoongemaakt, terwijl deze van de kast is afgenomen. Vermijd aanraking van de eenheden, vooral de tweeter, die zeer gemakkelijk beschadigd kan raken.

Voor de afwerking van de kast wordt de beste houtfijner gebruikt, maar denk er aan dat net als alle natuurlijke materialen, ook fijner reageert op zijn omgeving. Houd het product daarom uit de nabijheid van warmtebronnen zoals radiatoren en bronnen van warme lucht om barsten te voorkomen. Het hout is behandeld met een UV-laklaag om verkleuring na verloop van tijd te voorkomen, maar enige verkleuring valt niet uit te sluiten. Het effect zal vooral zichtbaar zijn op delen die door de grill worden afgedekt en op plaatsen die zich altijd in de schaduw bevinden; deze veranderen meer dan andere delen. Kleurverschillen zijn alleen te voorkomen door alle delen in gelijke mate aan licht bloot te stellen tot de verschillen zijn verdwenen. Dat proces kan enige dagen of weken duren en kan worden bespoedigd door een ultraviolette lamp te gebruiken.

## Garantie

Dit product is volgens de hoogste kwaliteitsnormen ontworpen en vervaardigd. Mocht er toch iets defect zijn aan dit product dan garanderen B&W Group Ltd. en haar landelijk distributeurnetwerk dat u aanspraak kunt maken op kosteloze reparatie (er zijn uitzonderingen) en vervanging van onderdelen in elk land, door een officiële B&W distributeur.

Deze beperkte garantie is geldig voor een periode van vijf jaar vanaf de aankoopdatum of twee jaar voor elektronica, waaronder actieve luidsprekers.

## Voorwaarden

1. De garantie is beperkt tot de reparatie van de apparatuur. Transport- en andere kosten, eventueel risico voor het verwijderen, vervoeren en installeren van producten vallen niet onder deze garantie.
2. De garantie geldt alleen voor de eerste eigenaar en is niet overdraagbaar.
3. Deze garantie is niet van toepassing in andere gevallen dan defecten van materialen en/of fabricage ten tijde van aankoop en is niet van toepassing:
  - a. op schade die veroorzaakt is door onjuiste installatie, aansluiting of verpakking;
  - b. op schade die veroorzaakt is door onjuist gebruik, anders dan beschreven in de handleiding, nalatigheid, modificatie, of gebruik van onderdelen die niet door B&W zijn goedgekeurd of gemaakt;
  - c. op schade veroorzaakt door defecte of ongeschikte aanvullende apparatuur;
  - d. op schade veroorzaakt door ongeval, onweer, water, brand, hitte, oorlog, openbaar geweld of een andere oorzaak buiten redelijk toezicht van B&W en haar distributeurs;
  - e. op producten waarvan het serienummer gewijzigd, verwijderd, gewist of onleesbaar is gemaakt;
  - f. indien reparaties of modificaties zijn uitgevoerd door een onbevoegd persoon.
4. Deze garantie is ter aanvulling op eventuele nationale/regionale wettelijke verplichtingen voor dealers of nationale distributeurs en heeft geen invloed op uw wettelijke rechten als consument.

## Garantieclaims

Wanneer u aanspraak wilt maken op garantie, handel dan als volgt:

1. Indien de apparatuur wordt gebruikt in het land van aankoop, neem dan contact op met de erkende B&W dealer waar de apparatuur is gekocht.
2. Indien de apparatuur niet in het land van aankoop wordt gebruikt, neem dan contact op met de nationale distributeur van B&W in het land waar u verblijft. Deze zal u informeren hoe te handelen. Ook kunt u contact opnemen met B&W in Groot-Brittannië of onze website bezoeken om te zien wie uw lokale distributeur is.

Om uw recht op garantie geldig te maken, dient u het garantiebewijs te overleggen, op de dag van aankoop ingevuld en van een stempel voorzien door uw handelaar.

# Ελληνικά

## Οδηγίες Χρήσεως

Αγαπητέ πελάτη.

Παρακαλούμε διαβάστε προσεκτικά τις οδηγίες που περιλαμβάνονται σε αυτό το φυλλάδιο, για να μπορέσετε να βελτιστοποιήσετε την απόδοση του συστήματός σας. Η Bowers & Wilkins έχει ένα δίκτυο αποκλειστικών αντιπροσώπων σε περισσότερες από 60 χώρες, οι οποίοι θα μπορούν να σας βοηθήσουν στην περίπτωση που συναντήσετε κάποια προβλήματα που δεν μπορούν να λυθούν στο κατάστημα από όπου αγοράσατε τα ηχεία.

### Πληροφορίες σχετικά με την προστασία του περιβάλλοντος



Όλα τα προϊόντα της B&W είναι σχεδιασμένα έτσι ώστε να συμμορφώνονται με τις διεθνείς

οδηγίες σχετικά με τον περιορισμό των επιβλαβών ουσιών (Restriction of Hazardous Substances – RoHS) στις ηλεκτρικές και ηλεκτρονικές συσκευές, καθώς και με την διάθεση ηλεκτρικών και ηλεκτρονικών αποβλήτων (Waste Electrical and Electronic Equipment – WEEE). Τα δύο σύμβολα σημαίνουν συμμόρφωση με τις οδηγίες αυτές, και ότι τα προϊόντα πρέπει να ανακυκλωθούν ή να υποστούν την κατάλληλη επεξεργασία.

Για περισσότερες πληροφορίες σχετικά με τη διάθεση ειδικών απορριμμάτων, απευθυνθείτε στις αρμόδιες υπηρεσίες των τοπικών αρχών.

### Περιεχόμενα συσκευασίας

Στη συσκευασία θα πρέπει να περιέχονται:

- 1 πώμα από αφρολέξ
- 1 πακέτο με τα εξής:
  - 4 πέλματα M6 με ακίδες
  - 4 λαστιχένια πέλματα
  - 4 παξιμάδια ασφάλισης διαμέτρου 10mm

### Εγκατάσταση των ηχείων

Τα ηχεία αυτά είναι σχεδιασμένα για να τοποθετούνται μόνο στο δάπεδο. Είναι σημαντικό να εξασφαλίσετε ότι τα ηχεία στέκονται σταθερά, χρησιμοποιώντας τις ακίδες όπου είναι δυνατό. Τα πέλματα με τις ακίδες διαπερνούν τα χαλιά και στηρίζουν τη βάση των ηχείων στην επιφάνεια του δαπέδου. Πρώτα, βιδώστε λίγο τα παξιμάδια ασφάλισης στις ακίδες, αφήνοντάς τα λίγο επάνω από το χαλί. Βιδώστε τελείως τις ακίδες στις υποδοχές με το σπείρωμα που υπάρχουν στη βάση του ηχείου. Αν το ηχείο δεν στηρίζεται καλά, ξεβιδώστε τις δύο ακίδες που δεν αγγίζουν το δάπεδο, όσο χρειάζεται ώστε το ηχείο να σταθεροποιηθεί. Τέλος βιδώστε τελείως τα παξιμάδια ασφάλισης. Είναι καλύτερα να τοποθετήσετε τις ακίδες αφού έχετε καταλήξει στην τελική θέση των ηχείων.

Αν δεν υπάρχει χαλί και δεν θέλετε να γδαρθεί το δάπεδο, μπορείτε να τοποθετήσετε ένα μεταλλικό δίσκο (π.χ. ένα νόμισμα) μεταξύ ακίδων και δαπέδου, ή να χρησιμοποιήσετε τα λαστιχένια πέλματα. Η τοποθέτηση των λαστιχένιων πέλματων και η σταθεροποίηση του ηχείου γίνεται όπως και με τις ακίδες.

### Τοποθέτηση των ηχείων

Η ρύθμιση της τελικής θέσης των ηχείων μετά την αρχική εγκατάσταση πιθανότατα θα βελτιώσει την ηχητική ποιότητα, και αξίζει να αφιερώσετε κάποιο χρόνο για αυτήν.

Τόσο στα απλά στερεοφωνικά συστήματα όσο και στα συστήματα οικιακού κινηματογράφου, προσπαθήστε να τοποθετήσετε τα ηχεία έτσι, ώστε οι θέσεις των δύο ηχείων να έχουν παρόμοιο ακουστικό χαρακτήρα. Για παράδειγμα, αν το ένα ηχείο είναι τοποθετημένο κοντά σε ένα γυμνό τοίχο και το άλλο κοντά σε μαλακά έπιπλα ή κουρτίνες, η συνολική ηχητική ποιότητα και η στερεοφωνική εικόνα δεν θα είναι ιδιαίτερα καλές.

### Συμβατικά στερεοφωνικά συστήματα

Η καλύτερη ηχητική απεικόνιση σε στερεοφωνικά συστήματα επιτυγχάνεται όταν τα ηχεία είναι τοποθετημένα σε απόσταση μεταξύ 1,5 και 3 μέτρων, και σχηματίζουν ένα νοητό ισόπλευρο τρίγωνο με τη θέση ακρόασης. Τα ηχεία θα πρέπει να απέχουν περίπου μισό μέτρο από τον πίσω και τους πλάγιους τοίχους (βλ. Εικόνα 1a).

### Συστήματα οικιακού κινηματογράφου

Αν πρόκειται να χρησιμοποιήσετε τα ηχεία για τις δύο εμπρόσθιες θέσεις ενός πολυκάναλου συστήματος οικιακού κινηματογράφου, η μεταξύ τους απόσταση θα πρέπει να είναι μικρότερη από αυτή που θα είχαν αν ήταν τμήμα ενός απλού στερεοφωνικού συστήματος, γιατί τα ηχεία surround τείνουν να διευρύνουν την ακουστική εικόνα. Τοποθετώντας τα ηχεία περίπου μισό μέτρο από τις πλευρές της τηλεόρασης, η ακουστική εικόνα θα είναι σε αναλογία με την τηλεοπτική. Όπως και με τα συμβατικά στερεοφωνικά συστήματα, η ιδανική απόσταση των ηχείων από τον πίσω και τους πλάγιους τοίχους είναι επίσης περίπου μισό μέτρο.

### Ελεύθερα μαγνητικά πεδία

Τα μεγάφωνα των ηχείων παράγουν μαγνητικό πεδίο που ξεπερνά τα όρια της καμπίνας. Για το λόγο αυτό δεν πρέπει να τοποθετηθούν σε απόσταση μικρότερη από μισό μέτρο από συσκευές που μπορούν να επηρεαστούν από το πεδίο αυτό, όπως είναι οι τηλεοράσεις CRT, οι οθόνες των ηλεκτρονικών υπολογιστών, βιντεοκασέτες κλπ.

### Συνδέσεις

Πριν κάνετε οποιαδήποτε σύνδεση θέστε όλες τις συσκευές του συστήματος εκτός λειτουργίας και βγάλτε τις από την πρίζα.



Στην πίσω πλευρά των ηχείων υπάρχουν δύο ζεύγη ακροδεκτών σύνδεσης στον ενισχυτή, τα οποία από το εργοστάσιο είναι ενωμένα μεταξύ τους με ειδικούς συνδέσμους. Αν συνδέσετε τα ηχεία με το συμβατικό τρόπο, αφήστε τους συνδέσμους στη θέση τους. Αν θέλετε να διπλοκαλωδίσετε τα ηχεία, αφαιρέστε τους συνδέσμους, και συνδέστε ξεχωριστά κάθε ζεύγος ακροδεκτών στον ενισχυτή. Η διπλοκαλωδίωση βελτιώνει την ηχητική ανάλυση στις χαμηλές συχνότητες. Οι εικόνες 2a και 2b δείχνουν το συμβατικό τρόπο σύνδεσης και τη διπλοκαλωδίωση.

Συνδέστε το θετικό ακροδέκτη του ηχείου (με την ένδειξη "+") στο θετικό ακροδέκτη του ενισχυτή, και τον αρνητικό ακροδέκτη του ηχείου (με την ένδειξη "-") στον αρνητικό ακροδέκτη του ενισχυτή. Αν δεν τηρήσετε τη σωστή πολικότητα στις συνδέσεις, είναι πολύ πιθανό η ηχητική απεικόνιση να μην είναι καλή και τα μπάσα να είναι περιορισμένα.

Συμβουλευτείτε το κατάστημα από όπου αγοράσατε τα ηχεία σχετικά με τα καλώδια που πρέπει να χρησιμοποιήσετε. Καλό είναι, η συνολική αντίσταση των καλωδίων να είναι χαμηλότερη από τη μέγιστη τιμή που αναφέρεται στα τεχνικά χαρακτηριστικά. Χρησιμοποιήστε καλώδια χαμηλής επαγωγής για να αποφύγετε την μείωση των υψηλών συχνοτήτων.

### Τελικές ρυθμίσεις

Πριν κάνετε τις τελικές ρυθμίσεις ελέγξτε πάλι όλες τις συνδέσεις του συστήματος και βεβαιωθείτε ότι έχουν γίνει σωστά και είναι ασφαλείς.

Απομακρύνοντας τα ηχεία από τον τοίχο μειώνονται τα μπάσα, ενώ το κενό πίσω από τα ηχεία δημιουργεί και μία τεχνητή ακουστική αίσθηση "βάθους". Αντίστοιχα, αν πλησιάσετε τα ηχεία στον τοίχο, τα μπάσα θα αυξηθούν. Για να ελαττώσετε τα μπάσα χωρίς να απομακρύνετε τα ηχεία από τον τοίχο, τοποθετήστε τα πώματα από αφρολέξ στις θύρες ανάκλασης (βλ. Εικόνα 3).

Αν τα μπάσα ακούγονται "άνισα" σε σχέση με τις υπόλοιπες συχνότητες (υπερβολικά έντονα ή άτονα), πιθανότατα οφείλεται στην ακουστική του χώρου. Ακόμη και μικρές αλλαγές στη θέση των ηχείων ή τη θέση ακρόασης μπορούν να έχουν σημαντική επίδραση στη συμπεριφορά των ηχείων μέσα στο συγκεκριμένο χώρο. Δοκιμάστε να μετακινήσετε τη θέση ακρόασης ή να τοποθετήσετε τα ηχεία κατά μήκος ενός άλλου τοίχου. Η ύπαρξη και η θέση μεγάλων επίπλων στο χώρο μπορεί επίσης να επηρεάσει δραστικά το συνολικό άκουσμα.

Αν η κεντρική ηχητική εικόνα δεν είναι ιδιαίτερα εστιασμένη, δοκιμάστε να φέρετε τα ηχεία πιο κοντά το ένα στο άλλο ή να τους δώσετε μεγαλύτερη εσωτερική γωνία ώστε να "βλέπουν" καλύτερα προς τη θέση ακρόασης (βλ. Εικόνα 1b).

Αν ο ήχος είναι υπερβολικά τραχύς, τοποθετήστε περισσότερα μαλακά (απορροφητικά) έπιπλα στο

χώρο ακρόασης (για παράδειγμα μπορείτε να χρησιμοποιήσετε πιο χοντρές κουρτίνες). Αντίστοιχα, αν ο ήχος είναι μουντός, ελαττώστε τις απορροφητικές επιφάνειες στο χώρο.

Ελέγξτε την ηχώ (flutter echoes) στο κέντρο το χώρου ακρόασης χτυπώντας τα χέρια σας και ακούγοντας τις γρήγορες επαναλήψεις του ήχου. Αν το φαινόμενο είναι έντονο, μπορείτε να το περιορίσετε τοποθετώντας στο χώρο ασύμμετρες επιφάνειες (π.χ. ράφια, βιβλιοθήκες κ.λπ.) και μεγάλα έπιπλα.

Βεβαιωθείτε ότι οι βάσεις των ηχείων είναι απόλυτα κάθετες και σταθερές στο δάπεδο. Αν στο πάτωμα υπάρχει χαλί, χρησιμοποιήστε τις ακίδες στήριξης και ρυθμίστε τις ώστε να εξισορροπήσουν τα ηχεία αν το δάπεδο δεν είναι απόλυτα επίπεδο.

### Περίοδος προσαρμογής

Η απόδοση των ηχείων θα βελτιωθεί αισθητά κατά την αρχική περίοδο λειτουργίας τους. Εάν τα ηχεία ήταν αποθηκευμένα σε κρύο περιβάλλον, τα μωνωτικά υλικά και τα συστήματα ανάρτησης των μεγαφώνων θα χρειαστούν κάποιο χρόνο για να ανακτήσουν τις πραγματικές τους ιδιότητες. Ο χρόνος που χρειάζεται κάθε ηχείο για να αποδώσει σύμφωνα με τις δυνατότητές του εξαρτάται από τις συνθήκες στις οποίες ήταν αποθηκευμένο και από τον τρόπο που χρησιμοποιείται. Η προσαρμογή των ηχείων στη θερμοκρασία του περιβάλλοντος μπορεί να χρειαστεί έως και μία εβδομάδα, ενώ τα μηχανικά του μέρη θέλουν γύρω στις 15 ώρες κανονικής χρήσης για να αποκτήσουν τα χαρακτηριστικά με τα οποία έχουν σχεδιαστεί.

Ωστόσο έχουν αναφερθεί και μεγαλύτερες περιόδους προσαρμογής (έως και ένας μήνας), αλλά πιθανότατα αυτό έχει να κάνει όχι τόσο με την πραγματική αλλαγή/προσαρμογή των ηχείων, αλλά κυρίως με το χρόνο που χρειάζονται οι ακροατές για να συνθιθούν στο νέο ήχο. Αυτό το φαινόμενο είναι περισσότερο έντονο με υψηλής ποιότητας ηχεία όπως αυτά, τα οποία αποδίδουν πολύ περισσότερες ηχητικές λεπτομέρειες σε σχέση με το τι έχουν συνηθίσει οι ακροατές. Ο ήχος μπορεί στην αρχή να ακούγεται κάπως έντονος και ίσως λίγο "σκληρός". Μετά από κάποιο διάστημα το συνολικό άκουσμα θα "μαλακώσει", χωρίς όμως να χάσει τη διαύγεια και την ακριβεία του.

### Φροντίδα των ηχείων

Κανονικά, ο μόνος καθαρισμός που απαιτεί το φινιρίσμα των ηχείων είναι ένα ξεσκόνισμα. Εάν θέλετε να χρησιμοποιήσετε κάποιο καθαριστικό με τη μορφή σπρέι, θα πρέπει πρώτα να αφαιρέσετε τα εμπρόσθια προστατευτικά καλύμματα των ηχείων τραβώντας το ελαφρά από τη καμπίνα. Ρίξτε το καθαριστικό στο πανί με το οποίο θα καθαρίσετε το ηχείο και όχι κατευθείαν επάνω στην καμπίνα. Το ύφασμα της προστατευτικής γρίλιας καθαρίζεται – αφού την αφαιρέσετε από το ηχείο – με μία απλή βούρτσα

ρούχων. Αποφύγετε να αγγίζετε τα μεγάφωνα και κυρίως το μεγάφωνο υψηλών συχνοτήτων (tweeter), γιατί μπορεί να προκληθεί ζημιά.

Η επένδυση πραγματικού ξύλου είναι ένα φυσικό υλικό που αντιδρά σε σχέση με το περιβάλλον. Για το λόγο αυτό κρατήστε το προϊόν μακριά από πηγές άμεσης θερμότητας, όπως καλοριφέρ και κλιματιστικά, ώστε να αποφευχθεί ο κίνδυνος καταστροφής της καμπίνας. Το ξύλο της έχει εμποτιστεί με βερνίκι, ανθεκτικό στην υπεριώδη ακτινοβολία, για να ελαχιστοποιείται η αλλαγή του χρώματός της με το πέρασμα του χρόνου, ωστόσο, θα πρέπει να αναμένεται κάποια μικρή αλλαγή. Η διαφορά αυτή μπορεί να είναι ιδιαίτερα εμφανής στα σημεία όπου η καμπίνα καλύπτεται από την προστατευτική γρίλια, ή σε σημεία που παραμένουν περισσότερο χρόνο στη σκιά. Στα σημεία αυτά, λόγω του ότι η αλλαγή γίνεται με πιο αργό ρυθμό, η διαφορά στο χρώμα είναι μεγαλύτερη. Αυτή μπορεί να διορθωθεί αν όλες οι ξυλίνες επιφάνειες του ηχείου εκτεθούν ταυτόχρονα και για ίδιο χρονικό διάστημα στο φως του ήλιου, μέχρι το χρώμα να γίνει ομοιόμορφο. Αυτή η διαδικασία μπορεί να χρειαστεί αρκετές ημέρες, ίσως και εβδομάδες, για να ολοκληρωθεί, αλλά μπορεί να επιταχυνθεί με την – προσεκτική – χρήση μίας υπεριώδους λάμπας.

## Περιορισμένη εγγύηση

Το προϊόν που αγοράσατε έχει σχεδιαστεί και κατασκευαστεί με τις υψηλότερες προδιαγραφές ποιότητας. Ωστόσο, αν συναντήσετε το παραμικρό πρόβλημα με τη λειτουργία του, η B&W Group Ltd. και οι αντιπρόσωποί της σε όλες τις χώρες σας παρέχουν εγγύηση για δωρεάν επισκευή (με την πιθανότητα κάποιων εξαιρέσεων) και αντικατάσταση εξαρτημάτων, σε όλες τις χώρες που υπάρχει επίσημος αντιπρόσωπος της B&W. Η περιορισμένη αυτή εγγύηση ισχύει για περίοδο πέντε ετών από την ημερομηνία αγοράς του προϊόντος, ή δύο ετών αν πρόκειται για αυτοεπισκευάσιμα ηχεία που περιλαμβάνουν ηλεκτρονικά εξαρτήματα.

### Όροι της εγγύησης

1. Η εγγύηση καλύπτει μόνο την επισκευή των προϊόντων. Δεν καλύπτει τα έξοδα αποστολής ή οποιαδήποτε άλλα έξοδα, ούτε και ενδεχόμενους κινδύνους που μπορεί να προκύψουν από την απεγκατάσταση, τη μεταφορά και την εγκατάσταση των προϊόντων.
2. Η παρούσα εγγύηση ισχύει μόνο για τον αρχικό ιδιοκτήτη του προϊόντος, και δεν μπορεί να μεταβιβαστεί.
3. Η παρούσα εγγύηση δεν ισχύει για περιπτώσεις άλλες από αυτές που περιλαμβάνουν ελαττωματικά υλικά ή/και

ανθρώπινο σφάλμα κατά τη στιγμή της αγοράς του προϊόντος. Η παρούσα εγγύηση δεν ισχύει στις εξής περιπτώσεις:

- a. Για ζημιές που προέκυψαν από λανθασμένη εγκατάσταση, σύνδεση ή συσκευασία.
  - b. Για ζημιές που προέκυψαν από χρήση διαφορετική από αυτή που περιγράφεται στο εγχειρίδιο οδηγιών, από αμέλεια, μετατροπές, ή χρήση εξαρτημάτων που δεν είναι κατασκευασμένα ή εγκεκριμένα από την B&W.
  - c. Για ζημιές που οφείλονται σε ελαττωματικές ή ακατάλληλες τρίτες συσκευές.
  - d. Για ζημιές που οφείλονται σε ατύχημα, κεραυνό, νερό, φωτιά, υψηλές θερμοκρασίες, κοινωνικές αναταραχές, ή σε οποιαδήποτε άλλη αιτία που δεν σχετίζεται και δεν ελέγχεται από την B&W.
  - e. Για προϊόντα των οποίων ο αριθμός σειράς έχει αλλάξει, διαγραφεί, αφαιρεθεί ή έχει γίνει δυσανάγνωστος.
  - f. Αν έχουν γίνει επισκευές ή τροποποιήσεις από μη εξουσιοδοτημένα πρόσωπα (δηλαδή από πρόσωπα που δεν έχουν την επίσημη έγκριση της B&W για να εκτελέσουν τις άνω εργασίες).
4. Η παρούσα εγγύηση ισχύει συμπληρωματικά σε οποιεσδήποτε εθνικές ή τοπικές νομικές υποχρεώσεις των πωλητών ή των εθνικών αντιπροσώπων, και δεν επηρεάζει τα νομικά δικαιώματα που έχετε ως πελάτης.

### Πώς να απαιτήσετε επισκευή στα πλαίσια της εγγύησης

Αν το προϊόν που αγοράσατε χρειαστεί επισκευή, ακολουθήστε την πιο κάτω διαδικασία:

1. Αν το προϊόν χρησιμοποιείται στη χώρα που αγοράστηκε, επικοινωνήστε με την αντιπροσωπεία της B&W ή με το κατάστημα από όπου το αγοράσατε.
2. Αν το προϊόν χρησιμοποιείται σε διαφορετική χώρα από αυτήν που αγοράστηκε, θα πρέπει να επικοινωνήσετε με την αντιπροσωπεία της B&W στη χώρα αυτή, από όπου και θα πληροφορηθείτε πού μπορεί να γίνει η επισκευή του προϊόντος. Μπορείτε να τηλεφωνήσετε στα κεντρικά γραφεία της B&W, στο Ηνωμένο Βασίλειο (+44 1903 221 500), ή να επισκεφτείτε την ιστοσελίδα μας ([www.bwspeakers.com](http://www.bwspeakers.com)), για να μάθετε τα στοιχεία των κατά τόπους αντιπροσώπων της B&W.

Για να επικυρώσετε την εγγύηση θα πρέπει να συμπληρώσετε το σχετικό φυλλάδιο και να το στείλετε στην αντιπροσωπεία της B&W, σφραγισμένο από το κατάστημα από όπου αγοράσατε το προϊόν.

# Русский

## Руководство по эксплуатации

Уважаемый покупатель!

Благодарим за приобретение акустических систем (АС) производства компании Bowers & Wilkins. Пожалуйста, внимательно прочтите данное руководство. Оно поможет оптимизировать характеристики Вашей аудиосистемы. B&W поддерживает сеть специализированных дистрибьюторов более чем в 60-ти странах. Если Вас возникли какие-либо проблемы, с которыми не может справиться дилер, наши дистрибьюторы охотно придут на помощь.

### Информация по защите окружающей среды



Все продукты B&W созданы в полном соответствии с международными директивами по ограничению использования опасных материалов (Restriction of Hazardous Substances – RoHS) в электрическом и электронном оборудовании, а также по его утилизации (Waste Electrical and Electronic Equipment – WEEE). Знак перечеркнутого мусорного бака означает соответствие директивам и то, что продукт должен быть правильно утилизован или переработан. Проконсультируйтесь с вашей местной организацией, которая занимается утилизацией отходов, по вопросам правильной сдачи вашего оборудования в утиль.

### Содержание упаковки

Проверьте комплектацию:

- 1 поролоновая заглушка.
- 1 дополнительная упаковка, содержащая:
  - 4 опоры – шипа с резьбой M6
  - 4 резиновых опоры
  - 4 контргайки (плоские 10 мм)

### Установка колонок

Колонки предназначены только для напольной установки. Важно всюду, где это возможно, обеспечить их прочное положение на полу с помощью шипов, входящих в комплект. Шипы рассчитаны на то, чтобы проткнуть ковер и опираться на поверхность пола. Сначала наверните контргайки на шипы так, чтобы осталось небольшой зазор над ковром при шипах, прочно стоящих на полу. Заверните шипы до упора в отверстия с резьбой в основании корпуса колонок. Если корпус шатается, отверните назад шипы, которые не касаются пола, чтобы он прочно встал на все опоры. Наконец, затяните контргайки в сторону корпуса. Более удобно отрегулировать высоту шипов после того, как вы выберете оптимальное место для колонок.

Если у вас нет ковра, и вы хотите избежать царапин на полу, используйте защитные металлические диски (например, монеты), вставляемые между шипами и полом, или же установите резиновые ножки из комплекта. Привинтите резиновые опоры и выровняйте корпус точно так же, как и в случае с шипами.

### Выбор места для колонок

После начальной установки следует попробовать более точно выбрать место для АС, т.к. это может дополнительно улучшить качество звучания.

В системах домашнего театра или стерео системах старейшие сделать так, чтобы ближе к окружению каждой из колонок было похоже по акустическим свойствам. Например, если одна АС примыкает к голым стенам, а другая – к мягкой мебели и шторам, то это может отрицательно повлиять на звучание.

### Обычные стерео системы

Для начала расположите АС на расстоянии от 1,5 до 3 м друг от друга в двух углах равностороннего треугольника, третий угол которого – это центр зоны прослушивания. Колонки должны быть на расстоянии по крайней мере 0,5 м от задней и боковых стен. На Рис. 1 а показано рекомендуемое расположение.

### Системы Домашнего Театра

Если АС используются как фронтальные каналы в домашнем театре, они должны стоять ближе друг к другу, чем в 2-канальном варианте, т.к. тыловые каналы расширяют образ. Размещение АС на расстоянии по 0,5 м от сторон экрана также помогает согласовать масштаб звукового и зрительного образа. Как и при обычном стерео размещении, АС должны в идеале располагаться на расстоянии 0,5 м от задней стены и по крайней мере на 0,5 м от любой из боковых стен.

### Рассеянное магнитной поле

Динамики колонок создают магнитное поле, выходящее за их пределы. Мы рекомендуем держать магниточувствительные предметы (кинескопные CRT-телевизоры, дисплеи, диски, магнитные аудио и видеокассеты, карточки и т.п.) на расстоянии минимум 0,5 м от колонок.

### Подсоединение

Все подключения делаются только при выключенном оборудовании.

На задней стороне АС находятся две связанных пары клемм. При обычном подсоединении перемычка между ними должна оставаться на месте (как при поставке) и только одна пара клемм подключается к усилителю. Для соединения би-ваерингом перемычку нужно удалить и каждую пару клемм подключать к усилителю отдельно. Такое подсоединение позволяет улучшить разрешение деталей низкого уровня. На Рис. 2а и 2b показаны обычное и би-ваеринг подключение.

Подсоедините плюсовой разъем колонки (со знаком + и окрашенный в красный) к плюсовому выходу усилителя, а минусовой (со знаком – и окрашенный в черный) – к минусовому на усилителе. Неверное подключение приведет к искажению звукового образа и утере басов.

Попросите вашего дилера порекомендовать кабель. Старайтесь, чтобы его импеданс был ниже максимально допустимого в спецификации, а индуктивность тоже была низкой, чтобы не ослабить высокие частоты.

### Тонкая настройка

Перед окончательной точной настройкой убедитесь, что все подключено правильно и надежно.

Отодвигая колонки от стен, вы уменьшаете уровень басов. Достаточное расстояние позади колонок также позволяет создать ощущение глубины. Соответственно, придвинув колонки к стенам, вы увеличите долю басов.

Для снижения уровня басов без отодвигания АС от стен, вставьте поролоновую заглушку в порт фазоинвертора (Рис. 3).

Неравномерное распределение басов обычно вызывается стоячими волнами в комнате, и поэтому имеет смысл поэкспериментировать с расстановкой обоих колонок и выбором места слушателя. Попробуйте расположить колонки вдоль другой стены. На звучание может повлиять даже перемещение крупной мебели.

Если звуковой образ в центре слабоват, попробуйте пододвинуть колонки ближе друг к другу или же направить в точку перед слушателями. На Рис. 1 b показано, как колонки развернуть внутрь.

Если звук слишком резкий, добавьте мягкой мебели в комнате (например, повесьте тяжелые шторы), или наоборот – уберите их, если звук глухой и безжизненный.

Некоторые помещения страдают от эффекта эхо, вызванного параллельностью стен. Подобное эхо может окрасить звук АС в комнате. Проверьте свойства помещения, ударив в ладоши и прислушиваясь к быстрому отзвуку. Их можно уменьшить за счет использования нерегулярных поверхностей, таких как книжные полки или крупногабаритная мебель на одной из стен или ковер на полу.

Удостоверьтесь в том, что стойки для АС вертикальны и прочно стоят на полу. Если на полу ковер, установите шипы и выровняйте с их помощью колонки, но после того, как вы выбрали оптимальную позицию.

Убедитесь, что колонки прочно стоят на полу. Используйте, если это возможно, шипы, протыкающие ковер, и отрегулируйте их высоту, чтобы скомпенсировать все неровности.

### Прогрев и приработка

Звучание АС слегка меняется в течение начального периода прослушивания. Если колонка хранилась в холодном помещении, то для демпфирующих материалов и подвеса динамиков потребуется некоторое время на восстановление механических свойств. Подвес диффузора также слегка снижает свою жесткость в течение первых часов работы. Время, которое потребуется АС для полного выхода на расчетные характеристики зависит от условия хранения и интенсивности использования. Как правило, потребуется неделя на устранение температурных эффектов и около 15 часов на достижение механическими частями желаемых характеристик.

К нам иногда поступают отзывы, что необходимо более длительный период приработки (например, месяц), однако это, как правило, не имеет отношения к изменениям в свойствах АС, а скорее всего связано с привыканием слушателя к новому для него звучанию. Это прежде всего относится к колонкам с высокой разрешающей способностью, где слушателю может открыться значительно большее количество деталей, чем то, к которому он ранее привык; звучание поначалу может показаться чересчур «выпачненным» и немного трудным для восприятия. Однако после более или менее продолжительного времени вам покажется, что звук стал мягче и приятнее, но без какой-нибудь утери ясности и детальности.

### Уход за колонками

Обычно корпуса колонок не требуют ничего, кроме протирки от пыли. Если же вы захотите использовать антистатик-аэрозоль для чистки, то сначала удалите защитную решетку, осторожно потянув ее за рамку. Распыляйте аэрозоль на протирочную ткань, а не на корпус. Избегайте попадания моющих веществ на ткань защитной решетки, т.к. на ней могут остаться пятна. Ткань решеток можно очистить обычной одежной щеткой или же насадкой для пылесоса. Избегайте касания диффузоров динамиков, особенно твитеров, т.к. это может привести к их повреждению.

Для отделки корпусов мы выбрали лучшие сорта шпона натурального дерева, однако следует помнить, что как и любой природный материал, они подвержены воздействию окружающей среды. Держите колонки подальше от источников тепла, таких как радиаторы, тепловентиляторы или батареи центрального отопления, чтобы избежать растрескивания. Дерево покрыто лаком, стойким к ультрафиолетовому излучению, для минимизации изменений цвета со временем, однако какое-то выцветание все равно возможно. Это особенно заметно в тех местах, где лак был скрыт под грилем, или же в тени, и изменял свой цвет более медленно, чем в других местах. Разница в окраске может быть заглажена выставлением всех фанерованных поверхности

на солнце до тех пор, пока она станет незаметной. Этот процесс может занять несколько дней или недель, но его можно ускорить умельным и аккуратным использованием ультрафиолетовой лампы.

## Ограниченная гарантия

Данное изделие было разработано и произведено в соответствии с высочайшими стандартами качества. Однако, при обнаружении какой-либо неисправности, компания B&W Group Ltd. и её национальные дистрибьюторы гарантируют бесплатный ремонт (существуют некоторые исключения) и замену частей в любой стране, обслуживаемой официальным дистрибьютором компании B&W.

Данная ограниченная гарантия действительна на период одного года со дня приобретения изделия конечным потребителем.

### Условия гарантии

- 1 Данная гарантия ограничивается починкой оборудования. Затраты по перевозке и любые другие затраты, а также риск при отключении, перевозке и инсталлировании изделий не покрываются данной гарантией.
- 2 Действие данной гарантии распространяется только на первоначального владельца. Гарантия не может быть передана другому лицу.
- 3 Данная гарантия распространяется только на те неисправности, которые вызваны дефектными материалами и/или дефектами при производстве на момент приобретения и не распространяется:
  - a. на повреждения, вызванные неправильной инсталляцией, подсоединением или упаковкой,
  - b. на повреждения, вызванные использованием, не соответствующим описанному в руководстве по применению, а также неправильным обращением, модифицированием или использованием запасных частей, не произведённых или не одобренных компанией B&W,
  - v. на повреждения, вызванные неисправным или неподходящим вспомогательным оборудованием,
  - г. на повреждения, вызванные несчастными случаями, молнией, водой, пожаром, войной, публичными беспорядками или же любыми другими факторами, не подпадающими под контроль компании B&W и её официальных дистрибьюторов,
  - д. на изделия, серийный номер которых был изменён, уничтожен или сделан неузнаваемым,

- e. на изделия, починка или модификация которых производились лицом, не уполномоченным компанией B&W.
- 4 Данная гарантия является дополнением к национальным/региональным законодательствам, которым подчиняются дилеры или национальные дистрибьюторы, то есть при возникновении противоречий, национальные/региональные законодательства имеют приоритетную силу. Данная гарантия не нарушает Ваших прав потребителя.

### Куда обратиться за гарантийным обслуживанием

При необходимости получения гарантийного обслуживания, выполните следующие шаги:

- 1 Если оборудование используется в стране приобретения, Вам необходимо связаться с уполномоченным дилером компании B&W, у которого было приобретено оборудование.
- 2 Если оборудование используется за пределами страны приобретения, Вам необходимо связаться с национальным дистрибьютором компании B&W в данной стране, который посоветует Вам, где можно починить оборудование. Вы можете позвонить в компанию B&W в Великобритании или же посетить наш вебсайт, чтобы узнать контактный адрес Вашего местного дистрибьютора.

Для получения гарантийного обслуживания, Вам необходимо предоставить гарантийный талон, заполненный Вашим дилером и с поставленной им в день приобретения оборудования печатью.

# Česky

## Návod k použití

Milý zákazník

Děkujeme vám, že jste si vybrali výrobek firmy Bowers & Wilkins. Dříve než výrobek rozbalíte a nainstalujete, přečtěte si prosím pozorně celý tento manuál. Pomůže vám to optimalizovat výsledný efekt. B&W udržuje ve více než 60ti zemích síť autorizovaných distributorů, kteří Vám pomohou vyřešit problém v případě, že Vám nemůže pomoci Váš prodejce.

### Informace k životnímu prostředí



Produkty B&W jsou konstruovány tak, aby byly zcela v souladu s mezinárodními předpisy upravujícími použití nebezpečných materiálů v elektrických a elektronických zařízeních (RoHS) a aby umožňovaly ekologickou likvidaci opotřebovaných elektrických a elektronických zařízení (WEEE). Symbol přeškrtnuté popelnice značí soulad s nařízeními na recyklovatelnost výrobku či možnost jiného zpracování, požadovaného příslušnými předpisy. V případě nejasností jak naložit s výrobky určenými k likvidaci se prosím obraťte na místně příslušný orgán státní správy, nebo na vašeho prodejce.

### Kontrola obsahu balení

Zkontrolujte zda balení obsahuje:

- 1 pěnovou zátku
- 1 balíček příslušenství obsahující:
  - 4 hroty se závitem M6
  - 4 gumové nožičky
  - 4 pojistné matice

### Instalace reproduktů

Tyto reproduktory jsou určeny pro postavení na zem. Protože je velmi důležité aby na podlaze stály pevně a nekolébaly se, je v příslušenství dodávána mimo jiné také sada hrotů. Tyto hroty jsou navrženy tak, aby pronikly kobercem přímo k pevné podlaze. Při montáži hrotů postupujte následovně – našroubujte na závít každého z hrotů pojistnou matici až na doraz a poté hrot zcela zašroubujte do závitové zděře v základně reproduktů. Pokud se reproduktory na hrotech při postavení na zem kolébá, vyrovnejte je mírným vyšroubováním těch dvou hrotů, které se správně nedotýkaly podlahy. Jakmile je reproduktory na hrotech správně ustavena, dotáhněte pevné pojistné matice směrem k reproduktům.

Pokud není podlaha pokryta kobercem a je riziko že by hroty poškodily její povrch, použijte pod hroty nějaké kovové podložky, nebo místo hrotů použijte dodávané gumové nožičky. Tyto nožičky připevníte k reproduktům obdobným způsobem jako hroty.

### Volba pozice reproduktů

Správná volba pozice pro umístění reproduktů může výrazně vylepšit výsledný zvukový efekt.

At' se již jedná o stereo či instalaci domácího kina, snažte se vždy aby všechny reproduktory měly stejné akustické podmínky. Je-li například jedna reproduktory umístěna blíže k holé zdi, zatímco druhá je blíže čalouněnému nábytku či závěsu, dojde pravděpodobně ke špatnému stereofonnímu zobrazení.

### Klasické Stereo

Obvykle je nejlépe umístit reproduktory 1,5m až 3m od sebe tak, aby tvořily s místem poslechu rovnostranný trojúhelník. Reproduktory by se přitom měly nacházet zhruba 0,5m od stěny která je za nimi a minimálně 0,5m od bočních zdí. Toto rozestavení reproduktů znázorňuje obrázek 1a.

### Domácí kino

Mají-li být reproduktory použity pro přední kanály domácího kina, lze je instalovat v sevřenějším úhlu než u dvoukanalového audia, protože prostorovost reprodukce rozšíří surroundové kanály. Umístěte reproduktory zhruba do vzdálenosti 0,5m od stran zobrazovače, aby šíře zvuku dobře korespondovala s rozměrem obrazu. Stejně jako při stereofonní aplikaci, je i v tomto případě ideální, pokud se reproduktory nacházejí zhruba 0,5m od stěny za nimi a zhruba 0,5m od bočních zdí.

### Rozptyl magnetického pole

Jednotlivé reproduktory produkují stále magnetické pole, které přesahuje rozměr reproduktů. Doporučujeme tedy umístit předměty citlivé na magnetismus (CRT televizory a počítačové monitory s klasickou obrazovkou, počítačové disky, audio a video kazety atd.) do vzdálenosti více než 0,5m od reproduktů, aby se zabránilo jejich poškození magnetickým polem.

### Zapojení

Veškerá zapojení provádějte pouze tehdy, jsou-li všechna zařízení v systému vypnuta.

Na zadní straně reproduktů jsou dva páry terminálů spojené propojkami. Při klasickém způsobu zapojení ponechte propojky na místě (jak jsou při dodání) a zapojte jeden z terminálových párů k zesilovači. Pro zapojení bi-wire propojky odstraňte a každý pár terminálů připojte k zesilovači zvlášť. Zapojení bi-wiring zlepšuje podání jemných detailů v reprodukci. Obrázky 2a a 2b znázorňují klasické a bi-wire zapojení.

Dbejte, aby kladný kontakt reproduktů (označený červeně a znaménkem +) byl připojen ke kladnému kontaktu zesilovače a záporný kontakt (označený černě a znaménkem-) k zápornému. Nesprávné zapojení může mít za následek špatný stereofonní obraz a úbytek basů.

V otázce výběru vhodného kabelu kontaktujte svého prodejce. Dbejte aby celková impedance nepřesahovala doporučené maximum a použijte kabel s nízkou induktancí, aby se nezhoršila reprodukce vyšších frekvencí.

## Finální doladění

Před konečným dolad'ováním znovu zkontrolujte, zda je veškeré zapojení provedeno správně a pevně.

Posunutím reprosoustav od zdi můžete redukovat celkovou úroveň basů. Prostor za reprosoustavami také pomáhá správnému podání hloubky zvukového obrazu. Obráceně, posunete-li reprosoustavy blíže ke zdi, zvýšíte úroveň basů. Pro redukci úrovně basů bez posouvání reprosoustav od zdi, můžete použít pěnové zátky do basreflexových otvorů jak je znázorněno na obrázku 3.

Nepříjemné zdůraznění basů může být také způsobeno rezonančními mody místnosti. V takovém případě zkuste měnit pozici obou reprosoustav, můžete vyzkoušet i jejich umístění podél jiné stěny či změnit místo poslechu. Vliv může mít také přemístění větších kusů nábytku.

Je-li reprodukce moc slabá ve středu prostoru mezi reprosoustavami, zkuste zmenšit vzdálenost která mezi nimi je, natočit je směrem k sobě či oddálit místo poslechu. Obrázek 1b znázorňuje reprosoustavy natočené k sobě.

Je-li zvuk příliš ostrý, zatlumte místnost například nějakým čalouněným nábytkem (pomohou také těžké závěsy), nebo naopak takový nábytek omezte v případech, že je zvuk mdlý a utlumený.

Některé místnosti mohou způsobovat dlouhé doznívání zvuku a ozvěnu tím, že se zvuk mezi jejich zdmi odráží a „tluče“. Otestujte doznívání zvuku tlesknutím dlaní a následným poslechem ozvěny. Ozvěnu lze redukovat vytvořením nepravidelností na zdech či umístěním předmětů s neodrážejícím povrchem jako jsou například knihovny či obrazy.

Zabezpečte, aby reprosoustavy stály na zemi pevně. Budete-li je stavět na koberec, použijte pod ně hroty umožňující ustavení reprosoustav tak, aby se nekolébaly.

## Rozehrávání reprosoustav

Zvuk reprosoustav se během určité doby používání mírně mění. Zvláště pokud byly reprosoustavy skladovány v chladném prostředí, nabývají tlumící závěsy a některé materiály v reproduktorech teprve během provozu své správné mechanické vlastnosti.

Během prvních hodin provozu se jednotlivé části reproduktoru navzájem ideálně přizpůsobují. Délka tohoto procesu, během kterého reprosoustava postupně zvukově „vyrává“ je velmi závislá na způsobu předchozího skladování a způsobu používání. Bývá pravidlem, že po zhruba týdnů teplotní stabilizace a asi 15 hodinách běžného provozu dosáhnou použité mechanické díly svých optimálních charakteristik.

Nicméně, i po delší době rozehrávání (i po jednom měsíci) dochází ke změnám v charakteru zvuku. Dle zkušeností začne být zvuk plastičtější a zároveň hladší, aniž by se však vytratily detaily. Efekt rozehrávání je zvláště patrný právě u vysoce kvalitních reprosoustav.

## Údržba

Povrch kabinetu vyžaduje pouze občasné setření prachu. Chcete-li použít nějaký aerosolový čistící prostředek, demontujte napřed jemným tahem od ozvučnice mřížku. Používáte-li čistící prostředek ve spreji, nastříkejte jej napřed na utěrku, ne přímo na kabinet. Odmontovaná mřížka může být čistěna normálním kartáčkem na šaty.

Nedotýkejte se membrán reproduktorů, zvláště vysokotónové, mohlo by snadno dojít k jejich poškození.

Jako materiál pro povrchovou úpravu ozvučnice jsme vybrali pravou dřevěnou dýhu. Jako každý přírodní materiál, podléhá i tato dýha vlivu okolního prostředí. Dbejte tedy, aby tento se tento produkt neocitl v bezprostřední blízkosti zdrojů tepla jako jsou např. radiátory či horkovzdušné ventilátory, zabráně tak možným popraskání dýhy. Dýha je opatřena UV rezistentním lakem, což minimalizuje změny jejího zbarvení vlivem světla, nicméně drobným změnám zcela zabránit nelze. Tento efekt je patrný obzvláště na plochách které byly zakryty mřížkou či stínem a díky tomu se jejich odstín měnil pozvolněji než na ostatních místech ozvučnice. Rozdíly v zbarvení mohou být srovnány vystavením celého povrchu rovnoměrnému působení slunečního světla tak dlouho, dokud rozdíl nezmizí. Tento proces může trvat několik dnů či týdnů, lze jej však urychlit opatrným použitím UV lampy.

## Záruka

Výrobky firmy B&W jsou vyráběny tak, aby vyhověly všem požadavkům našeho náročného zákazníka. Nicméně, vznikne-li přesto nějaká závada, firma B&W Group Ltd. a její místní dovozce udělají vše potřebné, aby váš výrobek byl bezplatně (krom uvedených výjimek) opraven či uveden do řádného stavu.

Záruka běží po dobu 5 let a vztahuje se na neelektronické součásti výrobku. Dvouletá záruka je pak poskytována na veškeré elektronické součásti výrobků včetně zesilovačů aktivních reprosoustav.

## Podmínky záruky

- 1 Záruka se vztahuje pouze na opravy výrobků. Nepokryvá přepravu reklamovaného výrobku do servisního střediska, manipulaci s ním a ani žádná rizika z přepravy a manipulace plynoucí.
- 2 Záruka platí pouze pro prvního kupce výrobku, při dalším prodeji se již nepřenáší.
- 3 Práva vyplývající ze záruky nebudou uznána v případě jiných závad než závad materiálu a dílenského zpracování a dále zejména v těchto případech:
  - a. výrobky byly špatně nainstalovány, zapojeny nebo špatně uskladněny či zabaleny,
  - b. výrobky byly zapojeny či použity jinak než se uvádí v návodu k použití, byla zanedbána jejich

údržba, byly modifikovány nebo byly použity jiné než originální náhradní díly,

- c. výrobky byly používány společně s nevhodným zařízením,
  - d. výrobky byly poškozeny nehodou, bleskem, vodou, ohněm, válkou, veřejnými nepokoji nebo nějakou jinou okolností za kterou firma B&W Group Ltd. ani její místní dovozce nemohou nést odpovědnost,
  - e. výrobní číslo výrobků bylo změněno, smazáno, odstraněno nebo se stalo nečitelným,
  - f. výrobky byly opravovány neautorizovanou osobou.
- 4 Tato záruka doplňuje místní právní úpravu záruční doby dle té které země a neplatí v těch bodech, které jsou s místní právní úpravou v rozporu. To neplatí v případech, kdy tato záruka jde nad rámec místní úpravy.

### Uplatnění záruky

Uplatňujete-li reklamaci, postupujte prosím dle následujících kroků:

- 1 Reklamujete-li výrobek v zemi, ve které byl i zakoupen, kontaktujte autorizovaného prodejce výrobků B&W, kde jste výrobek zakoupili.
- 2 Reklamujete-li výrobek v jiné zemi, než ve které byl zakoupen, kontaktujte dovozce, který servis zajistí. Příslušného dovozce zjistíte buď přímo telefonicky u firmy B&W nebo na jejich www stránkách.

Při uplatňování záruky se vždy prokazujte záručním listem, který musí být opatřen datem prodeje, razítkem a podpisem autorizovaného prodejce.

# Magyar Használati útmutató

Kedves Vásárlónk!

Köszönjük, hogy a B&W termékét választotta. Kérjük, az eszköz beüzemelését megelőzően a teljes használati útmutatót olvassa el, ezzel is biztosítva az optimális üzembe helyezést. Probléma esetén az Ön hivatalos forgalmazóján kívül – amennyiben szükséges – a B&W több mint 60 országban jelen lévő disztribúciós hálózatának tagjaihoz is fordulhat segítségért.

### Környezetvédelmi információk



Minden B&W termék megfelel a veszélyes elektromos és elektronikus anyagok használatának csökkentését (RoHS), valamint az elektromos és elektronikus hulladékok kezelését (WEEE) szabályozó nemzetközi irányelveknek. A termékeken feltüntetett vonatkozó szimbólumok jelzik az említett irányelveknek való megfelelést, egyben felhívják a figyelmet arra, hogy a jelzéssel ellátott termékek használata, illetve újrafelhasználása ezen előírások alapján történhet. A megfelelő kezelésre vonatkozó további információért kérjük, forduljon az illetékes helyi, vagy nemzeti hatóságához.

### A csomag tartalma

Közvetlenül a felbontást követően kérjük, ellenőrizze a készülékhez csomagolt valamennyi tartozék meglétét!

Tartozékok

- 1 db szivacs dugó
- 4 db M6 túske
- 4 db gumiláb
- 4 db kontraanya

### A hangfalak beüzemelése

A hangfalak felállítása közvetlenül a talajra történjen. Fontos, hogy a hangfalak szilárdan álljanak a padlón, a megfelelő pozíciót – amennyiben lehetőségei megengedik – a tuskelábak használatával biztosítsa. A tuskék kialakítása megfelel mind a szőnyegen, mind a padlón való alkalmazáshoz. Először is tekerje vissza a kontraanyákat a túske menetes részén. Tekerje be a tuskékat teljesen a hangsugárzó alján található menetes részbe, majd állítsa fel a hangsugárzót, majd a későbbiekben részletezett módon keresse meg a hangfal optimális pozícióját. Amennyiben billegne a talajon, tekerje kifelé azt a két tuskét, amelyek nem érintkeznek a talajjal, míg a billegés meg nem szűnik. Végül a kontraanyákat tekerje vissza a tuskén, egészen a hangdoboz aljáig. Ha a helyiség nem szőnyeg burkolatú és szeretné elkerülni a padló megkarcolását, helyezzen a tuskék alá fém alátétet (pl. pénzérmét), vagy használja a melléklet gumilábakat. A gumilábak használatánál a szintezés ugyanúgy történik, mint a tuskék esetében.



## A hangszugárzó pozicionálása

A hangszugárzó felállítását követően tudja a pontos pozicionálást elvégezni, a legjobb hangminőség elérése érdekében. Mind házimozit, mind sztereó alkalmazás esetén törekedjen arra, hogy az egyes hangszugárzók körül az akusztikai környezet lehetőleg egyforma legyen. Például, ha az egyik hangszugárzó közvetlenül üres, csupasz fal mellett áll, míg a másik bútorok vagy függönyök mellett, a hangminőség illetve a sztereó kép zavaros lehet.

## Sztereó rendszerek

Alapesetben úgy kell elhelyezni a hangszugárzókat, hogy egy 1,5-3 méter oldalhosszúságú, egyenlő oldalú háromszöget képezzenek egymással, illetve a hallgatási pozícióval. A hangszugárzókat a hátsó, és az oldalfalaktól megközelítőleg 0,5 méter távolságra kell elhelyezni. az 1A jelzésű kép illusztrálja az elhelyezést.

## Házimozit rendszerek

Amennyiben a hangszugárzókat házimozit rendszer frontsugárzójaként használja, a sztereó üzemmóddhoz képest közelebb kell egymáshoz elhelyezni őket, mivel a kiegészítő (surround) csatornák adják a hangszínpad mélységét. Helyezze a hangszugárzókat körülbelül 0,5 méter távolságra a képernyőtől, ezáltal biztosítva a hang és a kép egységét. Csakúgy, mint a sztereó rendszerek esetén, az oldalsó és hátsó falaktól kb. 0,5 méter távolságot tartson.

## Mágneses zavarok

A hangszugárzóba épített hangszórók által keltett mágneses tér túlnyúlhat a hangdoboz oldalfalain is. Javasoljuk, hogy a mágneses térre érzékeny eszközöket (képcsöves televíziók és monitorok, audio és video kazetták, bankkártyák stb.) legalább 0,5 méter távolságra helyezze a hangszugárzóktól. Az LCD és plazma képernyőket nem zavarják a mágneses teret.

## Csatlakoztatások

Minden csatlakoztatást a készülékek kikapcsolt állapotában végezzen. A hangszugárzók hátulján kettő pár - alap esetben rövidere zárt - hangfalkábel-csatlakozót talál. Hagyományos kábelezés esetén ezeket a rövidere zárt elemeket hagyja a helyén, és csak egy pár csatlakozót kössön össze az erősítővel. Kettős kábelezés esetén távolítsa el a rövidzárat, így lehetővé válik mindkét terminál független csatlakoztatása az erősítőhöz. Kettős kábelezés esetén jobb mélyfrekvenciás felbontást érhet el. A 2A és 2B ábra mutatja a hagyományos, és kettős kábelezés csatlakoztatási módokat.

Bizonyosodjon meg arról, hogy a hangszugárzó pozitív terminálja (+ jellel jelölt és piros színű) az erősítő pozitív kimenetéhez csatlakozik, valamint a hangszugárzó negatív terminálja (- jellel jelölt és fekete színű) az erősítő negatív pontjához csatlakozik. Fordított csatlakozás esetén zavaros hangkép, illetve mélyhang hiányos lesz a kapott hang.

Hangszugárzó kábel kiválasztásához kérje szakkereskedője segítségét. Törekedjen alacsony impedanciájú és alacsony induktivitású kábel használatára, megelőzendő a magas frekvencia tartomány jelszint csökkenését.

## Finomhangolás

A finomhangolás megkezdése előtt győződjön meg arról, hogy minden csatlakozás helyes és biztonságos. A hangszugárzó és a hátsó fal közötti távolság növelésével a mélyhangok szintje csökkenthető. A hangszugárzó mögötti nagyobb tér segít növelni a kapott hangtér mélységéretét is. Ennek megfelelően, ha a hangszugárzót közelebb tolja a hátsó falhoz, a mélyhangok jelszintje erősödni fog. Ha a mélyhangok jelszintjét csökkenti szeretné, anélkül hogy a hangszugárzót elmozdítaná a fal közeléből, a mellékelt szivacs dugókat helyezze a hangszugárzó reflexnyílásába (3. ábra).

Előfordulhat, hogy a mélyfrekvenciás átvitelben egyenletlenséget tapasztal, ezt okozhatják a meghallgató helyiség különböző sajátrezonanciái. Már a hangszugárzó pozíciójának, vagy a hallgatási pont helyzetének legkisebb változtatása is jelentős hatással lehet ezekre a rezonanciákra illetve a kapott hangra. Próbálja változtatni ezeket a pozíciókat, amennyiben nem elégedett az eredménnyel, próbálja a hangszugárzókat áthelyezni egy másik fal mellé. A nagyobb bútorok, illetve ezek helye szintén hatással bír ezekre a rezonanciákra. Amennyiben a sztereó tér pontatlan vagy szegényes, helyezze közelebb egymáshoz a hangszugárzókat, és/vagy fordítsa azok frontlapját a hallgatási pont felé. Az 1B ábra mutatja a hangszugárzók irányba való fordítását.

Amennyiben a hang túl élénk, növelje a helyiségben elhelyezett puha, lágy felületeket (pl. vastag függönyök). Ez segíthet helyreállítani a hangzás egyensúlyát. Ennek megfelelően a puha felületek csökkentésével fényesebb, élénkebb hangot kaphat.

Néhány helyiségben úgynevezett csörgő visszhang jelenség léphet fel a párhuzamos csupasz falak miatt. Ez a csörgő visszhang elszínezi a hangot. A jelenség ellenőrzéséhez álljon a helyiség közepére, és tapsoljon. Ha hallja a visszhangot, csillapítani kell a szobát a párhuzamos csupasz felületek csökkentésével, például nem visszaverő felületek (könyvespolcok, képek, kárpitok, stb. falra helyezésével). Ez a jelenség a mennyezet és a padló között is felléphet, ez esetben egy vastag szőnyeg jelenthet megoldást. Győződjön meg, hogy a hangfal stabilan áll a padlón. Ha szükséges, állítson a tüskéken vagy helyezzen alájuk alátétet.

## Hangszugárzó bejáratása

A hangszugárzók hangminősége a használatba vételtől, a használat során jelentősen változik. Amennyiben a hangszugárzót hideg helyen tárolták, a mechanikai alkatrészeknek, illetve a

# Garancia

hangszóróban lévő csillapító folyadéknek időre van szüksége, hogy a megfelelő mechanikai jellemzőiket visszanyerjék. Ez az időszakos feltelettel, és a használat módjától. Általában a hőmérsékleti jellemzők maximum egy hét alatt stabilizálódnak, a mechanikai jellemzők kb. 15 óra átlagos használat után érik el optimális értékeiket.

Habár egy hónapnál hosszabb bejáratási időszak is előfordulhat, de ez nem feltétlenül a hangszórók hangzásváltozásának köszönhető, hanem az új tulajdonos számára akár ennyi idő is szükséges lehet az új hangzás megszokásához. Különösen jellemző a nagy felbontású hangszórókra, mint ez is, hogy jelentős fejlődés tapasztalható a részletgazdagságban, a hallgató által korábban tapasztaltakhoz képest. A hang elsősorban túl direktnek és keménynek tűnhet, majd a hosszabb bejáratási idő végén a hangkép némiképp lágyabb lesz, de a tisztaságát és részletgazdagságát megtartja.

## Ápolás

A termék felülete időnként portalanítást igényel. Amennyiben aeroszolos vagy más tisztítószert kíván erre használni, először óvatosan távolítsa el a védőrácsot a termékről. A tisztítószert a tisztításra használt ruhára tegye, ne fújja közvetlenül a hangfalra. Először egy kisebb, nem látható területen próbálja ki a tisztítószert, megbizonyosodva, hogy nem okoz sérülést. Kerülje a súrolószereket, bármilyen savas vagy lúgos, illetve antibakteriális hatóanyagok használatát. Ne használjon semmilyen tisztítószert a hangszórók tisztításához. A védőrács tisztítása textilkefével történjen, miután eltávolította a dobozról a rácsot. Igyekezzen elkerülni a mozgó alkatrészek, különösen a magas hangszórók megérintését, mert az kárt okozhat.

A hangfaltest a legkiválóbb minőségű faburkolat felhasználásával készült, ezért – mint más természetes anyagok esetében is – előfordulhat, hogy felületén kisebb változások figyelhetők meg a környezeti hatásoknak köszönhetően. Az esetleg kialakuló kisebb repedések megelőzése érdekében igyekezzen távol tartani a terméket minden típusú hőforrástól (például radiátortól) vagy meleg levegőt kibocsátó szerkezetektől). A felület UV védő lakkal kezelt, amely segít minimalizálni a napfény által a felület színében bekövetkező változásokat, habár idővel bizonyos mértékű színeltérés mindenképpen várható. Ez a jelenség a szokásosnál feltűnőbb lehet például azokon a részekben, ahol a védőrács található, ahol a faanyag bizonyos része takarásban van vagy jellemzően fénytől védett, mert ezeken a felületrészekben a színváltozások kisebb mértékűek mint a fénynek közvetlenül kitett részekben. A kialakult színelváltozás csökkenthető, ha a felületet teljes egészében, egyenlő mértékben tesszük ki fényhatásnak, mindaddig, míg a színelváltozás el nem tűnik. Ez a folyamat akár több napot vagy hetet is igénybe vehet, de UV lámpa körülmények között használatával felgyorsítható.

A termék tervezése és kivitelezése a legmagasabb minőségi előírásoknak megfelelően történt. Amennyiben az Ön által megvásárolt termék mégis meghibásodna, a B&W Group Ltd. és annak forgalmazói a felmerülő munkaköltségekre (bizonyos kivételek mellett) és cserealkatrészekre térítésmentes garanciát vállal azokban az országokban, ahol hivatalos forgalmazói jelen vannak.

A megvásárolt termékre a vásárlás napjától számított öt évig érvényes garancia, az elektronikai eszközökre (mint például az aktív hangszórókra) pedig két év garancia vonatkozik.

## Garanciális feltételek

- 1 A garancia kizárólag a termék javítására korlátozódik. Nem vonatkozik sem szállítási, sem egyéb felmerülő költségekre és más, a szállítástól és üzembe helyezéséből adódó egyéb kockázatokra.
- 2 A garancia a termék jogos tulajdonosára vonatkozik, a garanciális jog másra át nem ruházható.
- 3 A garancia a vásárlás időpontjában már fennálló hibákra nem vonatkozik, kivéve az anyag; és gyártási hibákat
- 4 Nem vonatkozik a garancia:
  - a. helytelen üzembe helyezésből, nem megfelelő szállításból illetve sérült csomagolásból eredő károkra,
  - b. a használati útmutatóban leírt helyes használat be nem tartásából eredő, illetve gondatlanságból, módosításból eredő károkra, illetve nem a B&W által gyártott, vagy általa nem engedélyezett eszközök használatából eredő károkra,
  - c. hibás, illetve nem megfelelő kiegészítő eszközök, tartozékok használatából eredő károkra
  - d. baleset, villámlás, víz- vagy tűzkár, háború, zavargások, illetve egyéb, a B&W és kijelölt forgalmazói ésszerű hatáskörén kívül eső okokból eredő károkra
  - e. azon termékekre, amelyek szeriaszáma megváltozott, törésre került, illetve egyéb módon olvashatatlanná vált
  - f. ha a termék javítására illetve egyéb módosításra a B&W által nem meghatalmazott személy által kerül sor
- 5 Jelen garancia a viszonteladókra vagy forgalmazókra vonatkozó nemzeti vagy regionális törvény által meghatározott kötelezettségeket kiegészíti, és nincs befolyással a törvény által biztosított fogyasztói jogokra.

## Garancia érvényesítése

Szervizigény esetén kérjük a következők alapján járjon el:

- 1 Amennyiben a terméket abban az országban használta, amelyben eredetileg vásárolta, vegye fel a B&W hivatalos viszonteladójával a kapcsolatot, akitől a terméket beszerezte.
- 2 Amennyiben a terméket nem abban az országban használta, amelyben eredetileg vásárolta, vegye fel a kapcsolatot a B&W hivatalos forgalmazójával a használat helye szerint, akitől további információt kap a szervizelés helyéről. A hivatalos forgalmazóra vonatkozó információért hívhatja a B&W-t az Egyesült Királyságban, illetve látogassa meg weboldalunkat.

A garancia érvényesítéséhez szüksége lesz a vásárlás napján az Ön forgalmazója / viszonteladója által megfelelően kitöltött, és lepecsételt garanciajegyre.

# Polski

## Instrukcja użytkownika

Drogi kliencie

Dziękujemy za nabycie produktu firmy Bowers & Wilkins.

Jesteśmy pewni, że nasze kolumny głośnikowe zapewnią Państwu wiele miłych wrażeń oraz przyjemność ze słuchania muzyki. Jednak przed ich instalacją prosimy dokładnie zapoznać się z poniższą instrukcją obsługi. Pomoże to optymalnie wykorzystać możliwości produktu.

B&W posiada sieć autoryzowanych dystrybutorów w ponad 60 krajach. Są oni w stanie pomóc w momencie wystąpienia jakiegokolwiek problemu, którego nie może rozwiązać sam sprzedawca.

### Ochrona środowiska



Wszystkie produkty B&W są zgodne z dyrektywami RoHS (ograniczającą użycie związków niebezpiecznych) oraz

WEEE (regulującą przetwórstwo zużytego sprzętu elektrycznego i elektronicznego). Symbole te wskazują na to, że urządzenia są zgodne z dyrektywami, a również że powinny być odpowiednio przetwarzane. Skonsultuj się z lokalnym punktem składowania odpadów w celu zasięgnięcia dalszych informacji.

### Zawartość opakowania

Sprawdź, czy opakowanie zawiera:

- 1 gąbkową zatyczkę
- 1 zestaw akcesoriów składający się z:
  - 4 kołców M6
  - 4 gumowych nóżek
  - 4 podkładek kontrujących

### Instalacja kolumny

Kolumny zostały zaprojektowane z myślą o ustawieniu ich na podłodze. Istotne jest, żeby stały na niej pewnie. W tym celu należy użyć dołączonych do zestawu kołców podłogowych. Kolce zostały skonstruowane tak, aby przebić się przez dywan do podłogi. Na samym początku skręć podkładki kontrujące z kołcami taki sposób, żeby podkładki były umiejscowione tuż nad dywanem, a kolce spoczywały na podłodze pod nim. Jeśli obudowa pozostaje niestabilna, odkręć dwa kolce, które nie dotykają podłogi, do momentu, w którym obudowa nie nabierze stabilności. Na końcu, podkręć podkładki do obudowy. Może się okazać, że wygodniej jest dopasować kolce po tym, jak kolumna zostanie ustawiona.

Jeśli nie posiadasz dywanu i chcesz zapobiec porysowaniu podłogi, umieść jakąś płaską metalową podkładkę (na przykład monetę) pomiędzy kolcem a podłogą lub też użyj specjalnych, dostarczonych w zestawie gumowych podkładek. Dopasuj gumowe podkładki do obudowy w taki sam sposób, w jaki uczyniłeś to z kołcami.

## Ustawienie głośników

Ustawienie pozycji głośnika przed jego użyciem może przynieść znaczącą poprawę jakości dźwięku.

Zarówno w systemach stereo, jak i kina domowego starszy się tak ustawić głośniki, aby otaczające je przedmioty miały zbliżone charakterystyki akustyczne. Na przykład, jeśli jeden głośnik przylega do nagiej ściany, podczas gdy drugi do obitych miękkim materiałem mebli, zarówno ogólna jakość dźwięku, jak i obraz sceny dźwiękowej będą zniekształcone.

## Konwencjonalny system stereo

Kolumny powinny znajdować się od 1.5m do 3m od siebie, w dwóch rogach trójkąta równobocznego, w którego trzecim rogu znajdować się powinno miejsce odsłuchowe. Kolumny powinny być oddalone od ściany tylnej o około 0.5m, a od ścian bocznych co najmniej 0.5m. Rysunek 1a ilustruje to ustawienie.

## Zestawy kina domowego

Jeśli zamierzasz używać głośników do obsługi przednich kanałów w zestawie kina domowego, powinny one być umieszczone bliżej siebie niż w przypadku ustawienia dwukanałowego, ponieważ kanały dźwięku dookólnego mają tendencję do poszerzania sceny dźwiękowej. Ustawienie głośników około 0,5m od brzegów ekranu pozwoli dodatkowo skorelować scenę dźwiękową z obrazem na ekranie. W przypadku konwencjonalnego ustawienia stereo, kolumny powinny być oddalone około 0,5m od tylnej ściany oraz co najmniej 0,5m od ścian bocznych.

## Rozproszone pola magnetyczne

Zastosowane w kolumnach głośniki posiadają układy magnetyczne generujące rozproszone pola magnetyczne poza obudową kolumny. Zalecamy, aby urządzenia i podzespoły czułe na oddziaływanie pola magnetycznego takie jak (kineskopy telewizorów i monitorów komputerowych CRT, twarde dyski komputerów, kasyety audio i wideo, dyskietki itp.) trzymać w odległości co najmniej 0,5 m od głośników.

## Podłączenia

Wszystkie podłączenia powinny być wykonywane przy wyłączonym sprzęcie.

Na tylnym panelu głośnika znajdują się 2 połączone pary gniazd. W przypadku typowego podłączenia, połączenie gniazd powinno pozostać nie naruszone (w takim stanie, w jakim znajdowało się w chwili nabycia kolumn) i tylko jedna para gniazd podłączona do wzmacniacza. Dla podłączenia typu bi-wire, połączenie pomiędzy gniazdami w kolumnie powinno zostać usunięte i każda para gniazd podłączona do wzmacniacza niezależnie. Bi-wiring może wpłynąć na poprawę reprodukcji dźwięków o niskiej częstotliwości. Rysunki 2a i 2b ilustrują podłączenie standardowe i bi-wire.

Podłącz dodatkowo gniazdo kolumny (zaznaczone „+” i na czerwono) z dodatnim gniazdem wzmacniacza i ujemne (zaznaczone „-” i na czarno) z ujemnym. Nieprawidłowe połączenie może powodować spadek jakości lub utratę basów.

Poproś o pomoc swojego sprzedawcę w doborze optymalnego okablowania. Utrzymuj całkowitą impedancję poniżej maksymalnej rekomendowanej w specyfikacji i używaj kabla z niską impedancją w celu uniknięcia osłabienia najwyższych częstotliwości.

## Dostrajanie

Przed dostrajaniem, sprawdź czy wszystkie podłączenia w obrębie instalacji są prawidłowe i zabezpieczone.

Odsunięcie kolumn od ściany powoduje ogólne obniżenie poziomu basów. Oddalenie od tylnej ściany potęguje wrażenie głębokości sceny dźwiękowej. Analogicznie, przysunięcie kolumn bliżej w kierunku ściany zwiększy poziom basów. Aby obniżyć poziom basów bez odsuwania kolumn od ściany, wcisnij jedną lub obydwie gąbkowe zatyczki w tuby bassreflexów (rysunek 3).

Nieregularnie brzmiący bas jest często spowodowany odbiciami dźwięku w pomieszczeniu. Dlatego dobrze jest poeksperymentować z ustawieniem kolumn i pozycją słuchacza. Spróbuj ustawić kolumny pod różnymi ścianami. Efekt może przynieść przestawienie większych mebli.

Jeśli środek sceny dźwiękowej jest zniekształcony, spróbuj zsunąć kolumny bliżej siebie lub przekreślić je tak, żeby były skierowane bezpośrednio na słuchacza lub nieco przed nim. (rysunek 1b)

Jeśli dźwięk jest zbyt szorstki, zwiększ ilość miękkich elementów wyposażenia w pokoju (na przykład użyj grubszych zasłon). Jeśli zaś dźwięk jest zbyt płaski, pozbawiony życia – zmniejsz ilość miękkich elementów wyposażenia, które pochłaniają dźwięk.

Sprawdź, czy w pokoju nie ma echa, na przykład klaszcząc w dłonie. Echo można zredukować poprzez użycie nieregularnie ukształtowanych przedmiotów, takich jak półki na książki czy duże meble.

Upewnij się, że kolumny stoją pewnie na podłodze. Użyj kolców, jeśli kolumny będą stały na dywanie i dostosuj je tak, aby pozbyc się wszelkich nieregularności w podłożu.

Upewnij się, że kolumna stoi pewnie na podłodze. W razie potrzeby użyj kolców podłogowych i dopasuj je zniwelowania ewentualnych nierówności powierzchni.

## Okres „docierania“

Jakość dźwięku odtwarzanego przez kolumny zmienia się w niewielkim stopniu w przeciągu początkowego okresu ich używania. Jeśli kolumny były przetrzymywane w chłodnym miejscu, materiały tłumiące oraz wykończeniowe głośników będą musiały przez pewien czas odzyskiwać swoje

pierwotne charakterystyki. Zawieszenie głośników rozgrzeje się w pierwszych godzinach użytkowania kolumny. Czas, jaki kolumna potrzebuje na osiągnięcie nominalnych możliwości, zależy od warunków, w jakich była przechowywana oraz od sposobu, w jaki jest użytkowana. Daj kolumnie mniej więcej tydzień na ustabilizowanie temperatury oraz 15 godzin przeciętnej pracy, aby podzespoły osiągnęły zakładane przez projektantów charakterystyki.

Niemniej jednak, całkowity początkowy okres rozruchu jest dłuższy i wynosi około miesiąca. Zależy on jednak w głównej mierze od przyzwyczajenia się użytkownika do pracy kolumny, a nie od zmian wewnątrz samej kolumny. Dzieje się tak w szczególności z kolumnami, których reprodukcja ilości detali nie jest wystarczająco duża w porównaniu z ilością, do której był przyzwyczajony użytkownik. Początkowo dźwięk może wydawać się zbyt przytłaczający i trochę mocny. Jednak po pewnym czasie stanie się łagodny, ale bez utraty czystości i dokładności.

## Pielęgnacja

Kolumna zazwyczaj wymaga wyłącznie przecierania z kurzu. Jeśli chcesz używać środków antystatycznych, rozpyl je na szmatkę, a nie bezpośrednio na kolumnę. Maskownica może być czyszczona szmatką, kiedy zostanie zdjęta z kolumny. Nie dotykaj głośników, w szczególności głośnika wysokotonowego, aby ich nie uszkodzić.

Kolumny są oklejone najlepszymi naturalnymi klejami. Trzeba jednak pamiętać o tym, że tak jak wszystkie naturalne tworzywa, tak również klejiny są podatne na wpływ otoczenia. Trzymaj produkt z dala od źródeł ciepła, czyli na przykład od radiatorów i wylotów ciepłego powietrza, aby zapobiec ryzyku pęknięcia klejiny. Drewno zostało pokryte lakierem odpornym na promienie ultrafioletowe w celu zminimalizowania zmian koloru drewna w czasie, nie niwelując jednak tego zjawiska absolutnie. Drewno jest bowiem naturalnym organicznym materiałem, który z biegiem czasu zmienia swój kolor. Efekt ten jest szczególnie dobrze widoczny, kiedy porówna się powierzchnie przykryte przez maskownicę lub nie wystawione na działanie światła – zmieniają się one wolniej. Rozbieżność kolorów może być korygowana poprzez równomierne wystawienie powierzchni klejiny na działanie światła słonecznego. Proces ten może trwać kilka dni lub nawet tygodni, ale może zostać przyspieszony poprzez użycie lampy ultrafioletowej.

## Gwarancja

Ten produkt został zaprojektowany i wyprodukowany zgodnie z najwyższymi standardami jakości. Jednak, jeśli zdarzy się jakaś awaria, firma B&W Group Ltd. oraz jej międzynarodowi dystrybutorzy gwarantują

bezpłatny serwis (wyjątki mogą wystąpić) na części i robociznę w każdym kraju, w którym jest autoryzowany dystrybutor B&W.

## Warunki gwarancji

- 1 Gwarancja odnosi się tylko do naprawy sprzętu. Ani transport, ani żadne inne koszty, włącznie z ryzykiem przenoszenia, transportu i instalacji produktów nie są objęte tą gwarancją.
- 2 Gwarancja jest ważna tylko dla pierwszego właściciela. Nie przechodzi na następnych właścicieli.
- 3 Gwarancja obejmuje tylko i wyłącznie wady materiałowe lub inne wady ukryte w dniu zakupu. Gwarancja nie ma zastosowania w odniesieniu do:
  - a uszkodzeń spowodowanych niewłaściwą instalacją, podłączeniem lub zapakowaniem produktu,
  - b uszkodzeń spowodowanych niewłaściwą eksploatacją, niezgodną z instrukcją obsługi, modyfikacjami produktu lub wykorzystaniem części, które nie pochodzą od lub nie mają autoryzacji B&W,
  - c uszkodzeń spowodowanych przez popsute lub niewłaściwie urządzenie towarzyszące,
  - d uszkodzeń spowodowanych przez wypadki losowe, udary pioruna, wodę, pożar, czy inne czynniki, pozostające poza kontrolą firmy B&W i jej autoryzowanych dystrybutorów,
  - e produktów, których numer seryjny został zamazany, usunięty lub przerobiony,
  - f oraz w przypadku gdy wykonano już naprawy lub modyfikacje przez firmy lub osoby nieautoryzowane.
- 4 Ta gwarancja jest dopełnieniem prawnych podstaw udzielania gwarancji, obowiązujących na terenie danego kraju i nie narusza statutowych praw klienta.

## Jak reklamować sprzęt na gwarancji

Jeśli zaistnieje potrzeba oddania produktu do serwisu, prosimy zastosować się do następującej procedury:

- 1 Jeśli sprzęt jest używany w kraju zakupu, powinieneś skontaktować się z autoryzowanym dealerem, u którego sprzęt został zakupiony.
- 2 Jeśli sprzęt jest używany poza granicami kraju, powinieneś się skontaktować z dystrybutorem B&W właściwym dla miejsca zamieszkania w celu uzyskania informacji, gdzie sprzęt może być serwisowany. Możesz zadzwonić do B&W w Wielkiej Brytanii lub odwiedzić naszą witrynę internetową aby uzyskać kontakt do lokalnego dystrybutora.

Aby nadać gwarancji ważność, musisz wystąpić ją wypetnioną i podstemplowaną przez swojego dealera.

# 日本語 取扱説明書

お客様各位

B&W スピーカーをお買い上げいただきありがとうございます。システムを最適にご使用いただくため、製品を開梱、設置する前に必ずこの取扱説明書を御一読いただきますようお願いいたします。また、いつでも見られる場所に保証書と共に必ず保管してください。B&Wは世界60ヶ国以上に独自の代理店による販売ネットワークを持ってあります。販売店で解決できない問題がありましたら、こちらまでご相談ください。

## 環境情報



B&W 製品は欧州指令である WEEE と RoHS に対応した設計がなされています。リサイクルマークは、製品がこれらの指示に従って適切に再生されなければならないか、または処理しなければならない事を表しています。適切な方法で、どのように機器を処分するかについては、お近くの廃棄物ゴミ処理機構に相談してください。

## 梱包内容

梱包箱の中には以下の物が同梱されています。ご確認ください。

- フォームプラグ 1個
- アクセサリバック 1袋
  - 中身
    - M6 スパイク 4本
    - ゴム足 4個
    - ロックナット (10mm 平面幅) 4個

## スピーカーの設置

本スピーカーはフロアに設置されることを前提に設計されています。可能な限り付属のスパイクを使用してフロアにしっかりと立たせる事が重要です。スパイクは、床の上に敷かれているカーベットの裏にて、床の上に設置するように設計されています。まず、フロアにスパイクが置かれた時に、カーベットの十分にナットが浮かんだような状態になるように、スパイクのロックナットを廻しながら調整します。キャビネットの底面にあるネジ込み式のインサートにスパイクを目一杯ねじ込んで下さい。もしキャビネットを床面においたとき安定せずに揺れるようでしたら、揺れが止まり、キャビネットがしっかりと固定されるようになるまで、床に設置していない2本のスパイクを緩めて下さい。最後に、キャビネットに対してナットを固定してください。スピーカーの設置位置を最適に調整した後にスパイクを調整した方が良いでしょう。

スピーカーを設置する場所にカーベット全くなく、床の表面を傷つけたくない場合は、スパイクと床の間の保護的な金属ディスク (コイン等) を使用するか、または付属のゴム足を使用してください。スパイクと同じ方法でゴム足の高さを調整しキャビネットを設置して下さい。

## スピーカー設置位置

スピーカーを設置した後の設置位置の微調整は、サウンドクオリティを更に向上させます。通常それは実施するだけの価値のあるものです。

ステレオ又はホームシアターのどちらの場合でも、スピーカーの設置はそれぞれのスピーカーの設置環境が、音響的特性において

同じになるように行ってください。例えば片方のスピーカーが露出した壁のすぐ近くに設置され、もう一方のスピーカーが軟らかい家具やカーテンの近くに設置されたとします。この場合は、総合的なサウンドクオリティとステレオイメージの両面で妥協した形になります。

## 従来のステレオシステム

初めに、左右のスピーカーを1.5mから3m離して設置し、次に左右のスピーカーがリスニングポジションを頂点とした2等辺三角形の位置になるように設置します。スピーカーは後ろの壁からは約0.5m、横の壁からは0.5m以上離して設置してください。図1aはこの配置を説明しています。

## ホームシアターシステム

ホームシアターシステムのフロントチャンネルにこのスピーカーを使用する場合、サラウンドチャンネルが広がりのあるサウンドイメージを作る傾向にあるので、2チャンネルオーディオ (ステレオシステム) セッティングより左右のスピーカーが近くなるように設置してください。また映像のイメージとサウンドイメージのスケールが一致するように、フロントスピーカーはスクリーン横から約0.5m以内に設置するようにしてください。ステレオセッティングと同様に、後ろの壁からは約0.5m、横の壁からは0.5m以上離して設置することが理想的です。

## 漏洩磁界

スピーカーのドライブユニットは、キャビネットを越えて磁界を発生させます。磁気に反応しやすい物品 (ブラウン管テレビやコンピューターのモニター、フロッピー・ディスク、オーディオ/ビデオ・テープ、キャッシュ・カード類など) はスピーカーから少なくとも0.5メートルは遠ざけておいてください。

## 接続

全ての接続は、必ず機器のスイッチを全てオフにしてから行ってください。

スピーカーの後面にショートバーで繋がっている2組の端子があります。一般的な接続方法ではショートバーをスピーカー端子に付けたまま、どちらか1組のスピーカー端子にスピーカーケーブルを接続し、そのケーブルをアンプに接続します。パイワイヤ接続では、まずショートバーを外します。次に2組それぞれのスピーカー端子に、独立したスピーカーケーブルを接続し、そのケーブルをアンプのスピーカー端子に接続します。パイワイヤリングは詳細な低レベルの解像度を向上させます。図2aと2bは一般的な接続方法とパイワイヤの接続方法を説明しています。

スピーカーのプラス端子 (+) のマークがあり、端子の色は赤) をアンプのプラス出力端子に、スピーカーのマイナス端子 (-) のマークがあり、端子の色は黒) をアンプのマイナス出力端子を確実に接続します。間違った接続を行った場合、サウンドイメージが広がらないとか、低音が出ないといった現象が起きます。

スピーカーケーブルをお選びになる際はディーラーまたは各国の代理店へご相談ください。目安としては、トータルインピーダンスがスเปックの最大推奨値より低くなるようにして下さい。また、超高域の減衰を避ける為にローインダクタンスのケーブルを使用して下さい。

## ファインチューニング

ファインチューニングの前に、もう一度全ての設置と接続が正し

く且つ安全に行われているか確認して下さい。

一般的に壁からスピーカーを遠ざけると低音域の量が少なくなります。スピーカーの後ろにスペースをつくることによって、音場の奥行き感を得ることができます。逆に言えばスピーカーを壁に近づけることによって低音域のボリュームを増やすことができます。壁からの距離を変えずにスピーカーの低音域のふくらみを低減させたい場合には、図3で説明されているとおりスピーカーのバスレフポートにフォームプラグ挿入してみてください。

もし低域が周波数的にフラットではないと思われたら、それはリスニングルームの共振モードのために発生している可能性があります。スピーカーの位置又はリスニングポジション等の小さな変更で、これらの共振の影響が改善される場合もあります。リスニングポジションを移動するか、または異なった壁に沿ってスピーカーの設置位置を変更してみてください。大きな家具の位置や配置も共振モードに影響します。

センターイメージのフォーカスがあいまいな場合は、左右のスピーカーの間隔をもっと狭めるか、スピーカーの設置角度をリスニングポジションの前に合わせ、もっと内側に向けて改善される場合があります。図1bはスピーカーの角度を内側に向けた場合を説明しています。

再生した音が高音域に偏っていると感じられた時は、部屋に音を吸収するような柔らかい家具等を増やしてみてください。(例えば重たいカーテンを使用する等) おそらくサウンドバランスを整える助けになります。また逆に、再生した音がこもった感じになった場合は、それらの家具を減らしてみてください。

フラッターエコーに悩まされる部屋があります。エコーとは囲まれた部屋の平行面の間で発生する音の跳ね返りの事を指します。フラッターエコーが発生する部屋ではスピーカーサウンドはくせのある音となります。部屋の中央に立って手を叩きフラッターエコーのテストを行います。フラッターエコーに対しては、床や壁の一つに音を乱反射させる不規則な形の物や音を反射しないものとして、本棚、敷物またはパネルなどを置くことによって軽減させることができます。

スピーカーがしっかりと床の上に立っていることを確認して下さい。カーペットなどで床が不安定ならば鋭いスパイクを使用します。そして、スピーカーが直立するようにスパイクの長さを調整してください。

## 慣らし期間

スピーカーの性能は、御使用になるにつれて微妙に変化します。スピーカーが冷たい環境に保管されていた場合、ドライブユニットのダンピング材とサスペンションが本来の機械的特性を取り戻すまで、しばらく時間が掛かります。ドライブユニットのサスペンションは音量やソースにもよりますが、鳴らし始めてから1時間くらいで徐々にほぐれてきます。スピーカーが意図された性能を取り戻すまでにかかる時間は、開梱までの保管条件や、どの様に使用されるかによって異なります。目安としては、温度による影響を安定させる為、ご使用される状態で1週間、また意図されたデザイン特性に達するために、平均15時間スピーカーを鳴らすことを見込んでください。

慣らし期間(少なくとも1ヶ月程度)は長いほど良いといわれていますが、これはスピーカーの音が変わることよりも聴き手が新しい音に慣れることの方が大きいという証言もあります。特に、使用開始直後は、音が前に出過ぎる等の違和感を感じたり、音が硬く聞こえたりしますが、音の詳細(ティール)などが今まで耳になれていたスピーカーよりも顕著になった為であり、慣ら

し期間がより必要となります。長期の慣らし期間の後のサウンドは明確さと詳細さを失うことなく滑らかになるでしょう。

## お手入れ

キャビネットの表面は通常ほこりを払う程度で十分です。スプレー式クリーナーをお使いになる場合、まずキャビネットから慎重にグリルを取り外します。スプレーは直接キャビネットに吹き付けずに、一度クリーニング用の布に吹き付けてからご使用ください。グリルネットはキャビネットから取り外した状態で通常の布ブラシで清掃して下さい。グリルを外している間、ドライブユニット、特にツイーターに触れることは絶対に避けてください。

B&Wはキャビネット表面にすばらしい張り板材を採用しています。しかし、張り板材は自然な材料のように使用環境によって変化するものである事を御理解下さい。必ずラジエータや温風機などの熱源から製品は遠ざけて置き、キャビネット表面のひび割れなどが発生する危険性を避ける様にして下さい。木は紫外線からの影響による色の経時変化が最小となるようにラッカーで保護されていますが、ある程度の変化については予想されます。グリルネットによってカバーされている部分、または日光が当たっていない部分に関しては他の部分よりゆっくり変化していく為、特にこの変化が目立つことがあるかもしれません。色の違いについては、色が一定になるまで全ての板材が均一に日光に当たるようにする事によって違いがなくなるかもしれません。この過程には、数日、または数週間程度必要ですが、紫外線のランプなどを使用して使用することによって速くなる場合があります。

## 保証期間

当社製品は高い品質水準で設計・製造されておりますが、万が一製品に不備のある場合は、B&W公認代理店のあるいかなる国においても、B&W Group Ltd. およびその各国代理店が無料で修理(例外もあり)および部品交換を行います。

この保証期間は、購入の日から5年間またはアンプ内蔵、または付属のスピーカーを含む電子機器の場合には2年間有効となります。

### 保証条件:

- 保証範囲は、製品修理に限定されます。交通費、その他の費用、また製品の取り外し、移動、設置に起因する故障の危険は当保証の対象外となっています。
- 当保証は、製品購入時に不良部品および製造上の欠陥があった場合のみに適用されます。以下の項目は適用外となりますのでご了承ください。
  - 不適切な設置、接続、包装によって生じた損傷。
  - 取扱説明書に記載された正しい使用方法以外の使い方、本人の過失、改造、またB&W製またはその認定する以外の部品を使用したことによって生じた損傷。
  - 不良または不適切な付属器具によって生じた損傷。
  - 事故、雷、水害、火災、熱、戦争、争乱、またB&Wおよびその公認代理店の常識的管理の範囲を超えた不可抗力による損傷。
  - 製造番号が修正、削除、取り外し、また故意に判読不明にされた製品。
  - 認定外の者による修理、改造が行われた場合。

- 3 当保証は、各国/地方行政の定める代理店または各国代理店に課された義務を補足するものであり、消費者としての法定権利には影響しません。

## 保証期間中の修理について

修理を希望されるかたは以下の手順にて手続きをしてください。

- 1 製品を購入された国で使用されているかたは購入された販売店または公認代理店に連絡してください。
- 2 製品を購入された国以外で使用している場合はイギリスのB&Wに連絡して頂くか、我々のwebサイトを訪れて下さい。あなたの地域の連絡先を知ることができます。

保証期間中の無料修理を受けるには保証書に販売店の捺印および購入日の記入がされていることが必要です。

# 中文 使用手册

## 简介

感谢您选择 B&W 的产品。请在打开包装和安装产品前仔细全面的阅读本手册。它将使您的产品性能达到最佳状态。B&W 公司在全世界 60 多个国家拥有专业分销商的网路，他们将帮助您解决零售商不能解决的问题。

## 环保信息



所有 B&W 产品的设计均符合国际上有关电子和电气设备的“有害物质限制指令 (RoHS)”的规定和“废弃电子电气设备指令 (WEEE)”的处置规定。这些标志说明了它的相符性以及产品必须恰当回收或者按照这些规定进行处理。请向当地废物处理局咨询。

## 纸箱内含物

检查纸箱内是否含有

一个泡沫塞

一个附件包，包括：

4 个 M6 钉脚

4 个橡胶脚垫

4 个防松螺母（对边为 10mm）

## 安装扬声器

本扬声器只能安装在地板上。请使用提供的钉脚，并尽可能确保扬声器能牢固地站立于地板上。该钉脚专为刺穿地毯并安装在地板表面而设计。首先，将钉脚安放在地板下，并将防松螺母拧紧，直到螺母刚好冒出地毯表面。将钉脚完全拧入机箱底的螺纹嵌件。如果机箱在安装时晃动，将没有接触地板的两个钉脚拧松，直到机箱能稳固地安放在地板上并且不晃动。最后，将螺母拧紧在机箱上。在将扬声器的定位优化后，再进行安装和调节钉脚会更方便。

如果没有地毯，而又不想刮破地板表面，可在钉脚与地板之间使用一个金属保护盘（可以是一枚硬币），或使用所提供的橡胶脚垫。安装橡胶脚垫及调整机箱水平的方法与安装钉脚的方法一样。

## 扬声器的定位

初始安装后的扬声器的摆位将进一步提高声音的质量，因此值得这样做。

无论是在立体声还是家庭影院的安装中，要设法确保每个紧贴扬声器周围的物件在声音特色上相类似。例如，如果一个扬声器的周围是无遮蔽的墙，而另一个扬声器的周围是软性陈设品或窗帘，则整个声音质量和立体图像就有可能影响。

## 传统立体声系统

首先，扬声器应该定位在一个等边三角形的分开的两个角的 1.5 至 3 米之间，而等边三角形的第三角应该在视听区。扬声器应该离后墙约 0.5 米，而离任一侧墙至少 0.5 米。图 1a 中说明了这种分布。

## 家庭影院系统

如果将此扬声器用作家庭影院系统的前置声道，那么该扬声器应比用作 2-声道时放得更靠近，因为环绕声道会



拉宽图像。将扬声器放在屏幕旁边大概 0.5 米的距离内，可以使声像与视觉图像匹配的更好。如果是常规的立体声定位，要将扬声器放在离后墙大概 0.5 米的距离，并且离任何一道侧墙至少 0.5 米的距离。

## 杂散磁场

扬声器的驱动系统可产生延伸到音箱周边以外地方的杂散磁场。我们建议你将对磁场过敏的物体（如传统的电视机和计算机屏幕、计算机软盘、信用卡等）放置离其至少 0.5 米的地方。

## 连接

所有的连接应当在设备关闭时进行。

扬声器的背部有两套连着的端子。在传统的连接中，接线柱连接应该处于原来的位置（如交付时那样），让一对端子与放大器相连。在双线连接中，接线柱连接应该除去，且每对端子须与放大器独立相连接。双线能够提高低频率细节的分辨率。图 2a 和 2b 说明了传统和双线连接方法。

确保扬声器上的正极端（标有 + 和红色）与放大器的正极输出端相连接，而扬声器上的负极端（标有 - 和黑色）与放大器的负极输出端相连接。不正确的连接会导致图像效果差和低音失真。

在选择扬声器电缆是应该向你的零售商咨询。其总阻抗应该低于扬声器规格中的最大值，并使用低电感电缆以避免高频的衰减。

## 微调

在微调前，确认安装中的所有连接正确且安全。

一般来说，将扬声器的位置移到离墙更远的位置会降低低音音量。扬声器后边的空间会帮助创造出一种听觉上的深度感。相反，将扬声器的位置移到离墙更近的位置会增加低音音量。如果你想减少低音量而不移动扬声器的位置，可按照图 3 所示，在低音反射孔中装入泡棉栓塞。

如果低音的频率不均衡，这很可能是因为试听室里的谐振模式引起的。即使扬声器或试听的位置很小的改变都可以使谐振对声音的效果产生很深的影响。设法移动试听的位置或者将扬声器放在不同的墙旁边。大件家具的存在及其位置也会影响谐振模式。

假如中心图像缺少焦点，可试着将扬声器彼此离得更近或者使其向内成一个角度，这样它们就可以正对着试听的位置。图 1b 说明了扬声器向内成角的情形。

如果音质太过明快，则在房间内增加软性的陈设品（如重的窗帘）可以帮助平衡音质。相反，在房间内减少软性的陈设品可以使迟缓的音质变得明快。

某些房间深受“抖动回音”的影响，这种回音在房间的平行边缘之间来回“跳动”。“抖动回音”可以使得室内扬声器的声音产生污染。测试“抖动回音”的方法是站在房间中间击掌。减少“抖动回音”的方法是：在有影响的墙面或地板上放置形状不规则的物体或者非反射的表面、书架、毯子或图画。

确保扬声器牢固地安放在地板上。如果条件允许，可以使用地毯穿透钉，并调节好，让机箱平稳。

## 煲机阶段

在初始试听阶段，扬声器的性能会发生细微变化。如果扬声器被安装在较冷的房间内，驱动装置的阻尼复合组件和悬挂材料会需要一些时间来恢复其正确的机械性

能。驱动装置的悬挂部分也会在最初使用的几小时内松动。使扬声器达到理想性能状态的时间将因以前的储存条件和使用方法而有所变化。作为使用指引，可以用一周时间来稳定温度的影响，或者用平均使用 15 小时的时间来使机械部分达到理想的设计性能。

不过，也出现过更长时间的设备调试期（如一个月）。但证据显示这与扬声器的改变没多大关系，而与试听者适应新的声音关系更大。这在扬声器的声音细节与试听者以前所习惯的相比较有很大程度增加时，尤其如此。声音在开始时也许太过“直接”，或者有点猛烈。经过一段时间以后，声音将会变得柔美，但并不失去清晰度和细节。

## 保养

通常音箱表面仅需要除掉灰尘。如果你要是用喷雾清洁剂，则需要小心地将面网从音箱上移开。在将清洁剂喷洒在抹布上，而不是直接喷洒在音箱上。在面网被移开音箱以后，可用一般的布刷来清洁面网部分。一定要避免接触驱动装置，特别是高音用扩音器，否则有可能会将其损坏。

我们选取最佳的木皮用于音箱的表面，但要谨记它象所有天然物料一样会随环境而有所改变。把音箱保存于没有发热器或热气槽直接投射到的地方，以防爆裂的风险。木皮表面已经防紫外线处理以减少颜色随时间改变，但一定程度的改变可预期的。这情况会于被面网盖着的地方更为明显或有遮掩处的变化亦较慢。颜色不均的情况可透过把木饰表面平均暴露于阳光下而使之变得均匀，此程序可能要用上数天甚至数周以完成，但亦可透过小心使用紫外线灯以代之。

# 有限保修

尊敬的客户：

欢迎光临 B&W 公司。

本产品按照最高质量标准设计和制造。不过，假如产品有任何问题，B&W 扬声器公司及其在全国的分销商将免费在 B&W 正式的分销商所服务的国家提供相关服务（除外也适用）和配件替换。

此有限保修的有效期为 5 年，从购买之日起算起。对于包括电子产品在内的有源扬声器，其保修期为 2 年。

## 有关条款：

- 1 保修仅限于对设备的维修。保修既不包括运费和其它费用，也不包括产品移动、搬运和安装中的风险。
- 2 本保修不具有转让性，仅对原所有者有效。
- 3 本保修不适用于除了在购买时原材料和（或）工艺的缺陷以外的情形，以及下列情形：
  - a. 由于不正确的安装、连接和包装所引起的损坏；
  - b. 因未按照使用手册里面的正确方法使用、过失、修改而引起的损坏，或使用非 B&W 或其授权的配件而引起的损坏；
  - c. 有失误或不适当的辅助设备所引起的损坏；
  - d. 由事故、闪电、水灾、火灾、战争、骚乱所引起的损坏，或在 B&W 及其指定的分销商合理控制范围之外的因素所引起的损坏；

- e. 产品序列号被修改、删除、移去或变得模糊不清的产品；
  - f. 如维修和改动是经未经授权的人所完成的；
- 4 本保证可补充任何零售商或分销商的国家或地区的法律责任，它并不影响你作为客户的法律权利。

### **如何在保修期内要求维修：**

如要求提供服务，请按照下列程序办理：

- 1 如果设备正在购买的国家内使用，你应该与从其购买设备的零售商联系。
- 2 如果设备正在购买的国家外使用，你应该与能告诉你可提供相关设备服务的居住国联系。你可以致电英国的 B&W 公司或者登陆我们的网站以了解当地经销商的详情。

为使本保修有效，你需要保留本保修手册并由你的零售商盖上购买的日期。

## EU DECLARATION OF CONFORMITY

We,

**B&W Group Ltd.**

whose registered office is situated at

**Dale Road, Worthing, West Sussex, BN11 2BH, United Kingdom**

declare under our sole responsibility that the product:

**CM7**

complies with the EU Electro-Magnetic Compatibility (EMC) Directive 89/336/EEC, in pursuance of which the following standards have been applied:

EN 61000-6-1 : 2001

EN 61000-6-3 : 2001

EN 55020 : 2002

EN 55013 : 2001

and complies with the EU General Product Safety 2001/95/EC, in pursuance of which the following standard has been applied:

EN 60065 : 2002

This declaration attests that the manufacturing process quality control and product documentation accord with the need to assure continued compliance.

The attention of the user is drawn to any special measures regarding the use of this equipment that may be detailed in the owner's manual.

Signed:



G Edwards  
Executive Vice President, Operations  
B&W Group Ltd.



## CM7

Technical features	Nautilus™ tube-loaded aluminium dome tweeter Kevlar® brand fibre cone FST midrange Flowport™
Description	3-way vented-box system
Drive units	1x ø25mm (1 in) aluminium dome high-frequency 1x ø130mm (5 in) woven Kevlar® FST cone midrange 1x ø165mm (6.5 in) paper/Kevlar® cone bass
Frequency range	-6dB at 34Hz and 50kHz
Frequency response	62Hz - 22kHz ±3dB on reference axis
Dispersion	Within 2dB of reference response Horizontal: over 60° arc Vertical: over 10° arc
Sensitivity	88dB spl (2.83V, 1m)
Harmonic distortion	2nd and 3rd harmonics (90dB, 1m) <1% 100Hz - 22kHz <0.5% 150Hz - 20kHz
Nominal impedance	8Ω (minimum 3Ω)
Crossover frequencies	350Hz, 4kHz
Recommended amplifier power	30W - 150W into 8Ω on unclipped programme
Max. recommended cable impedance	0.1Ω
Dimensions	Height: 910mm (35.8 in) (not including feet) Width: 200mm (7.9 in) Depth: 300mm (11.8 in) (including grille and terminals)
Net weight	20kg (44 lb)

## Bowers & Wilkins

B&W Group Ltd  
Dale Road  
Worthing West Sussex  
BN11 2BH England

T +44 (0) 1903 221 800  
F +44 (0) 1903 221 801  
info@bwgroup.com  
www.bowers-wilkins.com

B&W Group (UK Sales)  
T +44 1903 221 500  
E uksales@bwgroup.com

B&W Group North America  
T +1 978 664 2870  
E marketing@bwgroupusa.com

B&W Group Asia Ltd  
T +852 2 869 9916  
E info@bwgroup.hk

Kevlar is a registered trademark of DuPont.  
Nautilus is a trademark of B&W Group Ltd.  
Copyright © B&W Group Ltd. E&OE  
Printed in China.

## Free Manuals Download Website

<http://myh66.com>

<http://usermanuals.us>

<http://www.somanuals.com>

<http://www.4manuals.cc>

<http://www.manual-lib.com>

<http://www.404manual.com>

<http://www.luxmanual.com>

<http://aubethermostatmanual.com>

Golf course search by state

<http://golfingnear.com>

Email search by domain

<http://emailbydomain.com>

Auto manuals search

<http://auto.somanuals.com>

TV manuals search

<http://tv.somanuals.com>