

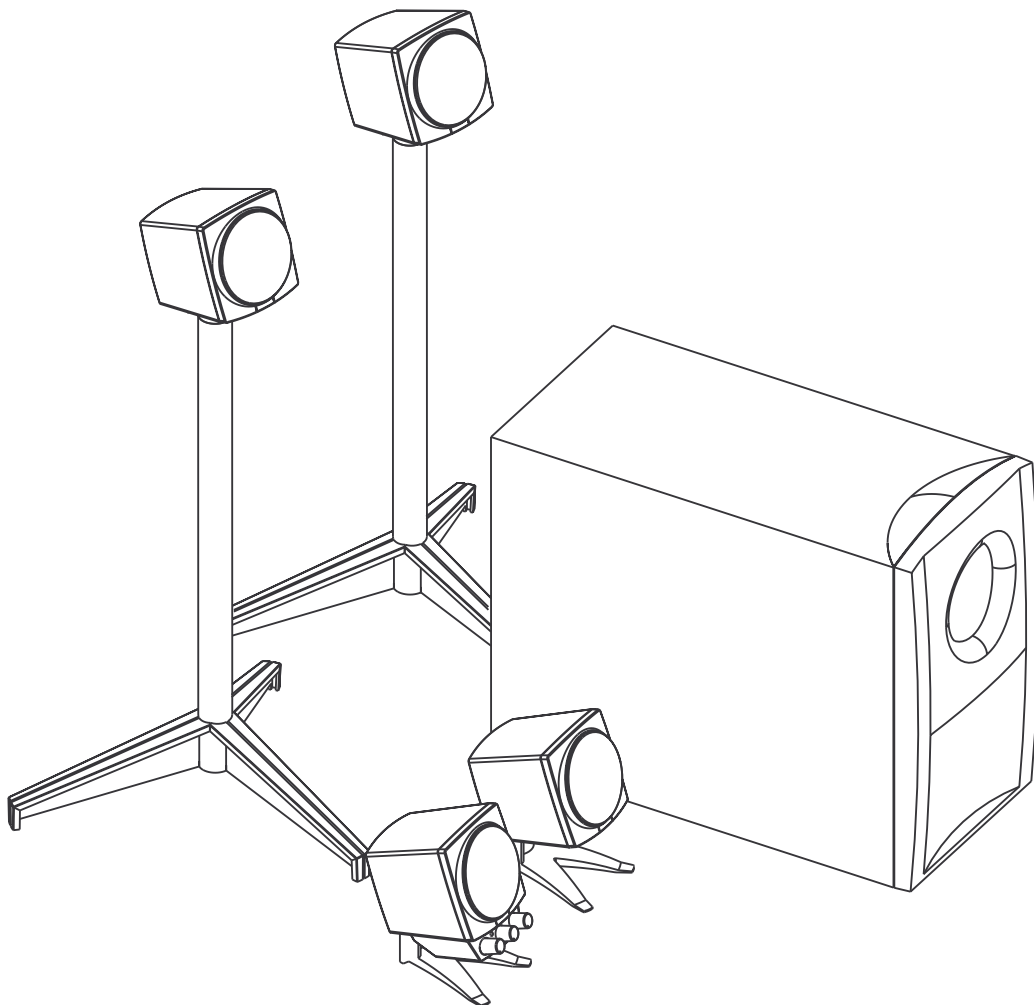
**Boston**

BostonAcoustics.com

# BA4800™

Powered Speaker System

4-Channel Surround Configuration



# Specifications

<b>FREQUENCY RESPONSE (<math>\pm 3\text{dB}</math>)</b>	50Hz – 20,000Hz
<b>MAXIMUM SOUND PRESSURE LEVEL (0.5m)</b>	106dB
<b>SUBWOOFER</b>	6 $\frac{1}{2}$ " (165mm) polymer treated paper
<b>SATELLITES</b>	2 $\frac{1}{2}$ " (65mm) polymer treated paper
<b>CROSSOVER FREQUENCY</b>	180Hz
<b>DIMENSIONS (H x W x D)</b>	Subwoofer 11 $\frac{3}{4}$ x 7 x 14 $\frac{5}{8}$ " (299 x 178 x 372mm)  Satellites 3 $\frac{1}{4}$ x 3 $\frac{1}{4}$ x 3 $\frac{1}{2}$ " (83 x 83 x 89mm)
<b>WEIGHT</b>	Subwoofer 11.1 lbs. (5.0 kg)  Satellites 1.0 lbs. (0.5 kg) ea.
<b>FINISH</b>	Computer gray

## Description

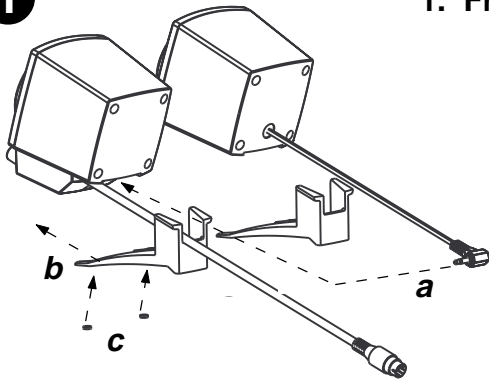
The Boston Acoustics BA4800 is an analog 5-piece, 4-channel surround speaker system ideal for computer gaming or any enhanced audio application at the desktop. The system includes 4 powered micro-satellites and a large, amplified, ported subwoofer for deep bass response. The BA4800 performs best with PC sound cards offering 4-speaker output (e.g., 2 stereo outputs, front and rear), but also sounds impressive as a 3-piece music system when connected to any head-phone jack or line-level output (portable CD player, MiniDisc player, MP3 player, etc.). With added features like MagnaGuard® magnetic shielding, stable rear tower stands, extra-long surround cable connections and speaker-mounted controls, you not only get the renowned Boston Acoustics sound but uncommon flexibility. For more information on Boston Acoustics or our line of home theater and car products, visit us on the Web at [www.bostonacoustics.com](http://www.bostonacoustics.com).

### This Package Contains:

- 1 Amplified subwoofer
- 2 Front satellite speakers  
(1 with mounted control pod and DIN cable)
- 2 Rear satellite speakers  
(each with a 20-ft. RCA cord)
- 2 Input cables  
(1 green-to-green, 1 purple-to-black)
- 4 Self-adhesive rubber feet for subwoofer
- 6 Self-adhesive rubber feet for front satellittes
- 2 Mini front satellite pedestal stands
- 2 Tower rear satellite stands
- 1 Transformer with power cord

### Additional Features:

- Manual on/off control  
(Turn "Volume" control far left)
- Variable audio controls  
(Volume, Surround & Subwoofer Levels)
- Long rear speaker cords for accurate positioning
- Four-channel sound card compatibility

**1**

## 1. Front Speaker Assembly

**a)** Connect the **left front speaker's** plug into the jack on the rear of the **right front speaker**, (NOTE: satellite speaker with audio controls should be on the right side of your video monitor).

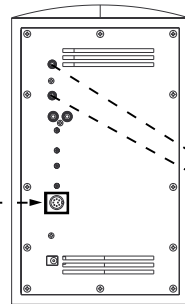
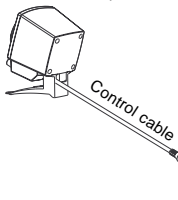
**b)** Making sure speaker cables are free, slide on **front speaker pedestal stands**.

**c)** Attach **rubber pads** to bottom tips of each pedestal stand. The rubber pads absorb vibrations between the speakers and the desktop for a cleaner sound.

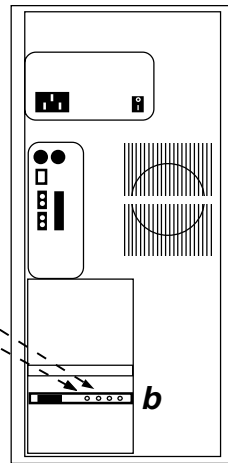
## 2. Input Panel Connections

**2**

Right front speaker with control pod

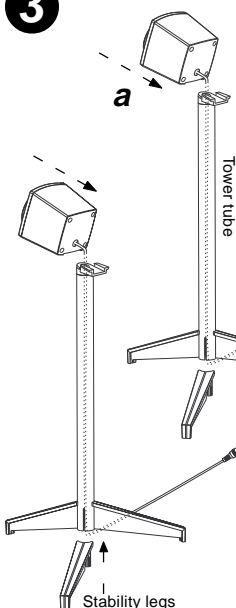


Apply subwoofer's rubber pads to each corner

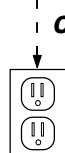


**a)** Connect the right front satellite's **control cable** (blue) to the "Control" jack (blue) on the back of the **subwoofer**.

**b)** Connect each of the **audio input cables** (2 ea.) to your PC's **sound card**. "Front Analog in" (green) on the back of the subwoofer to the front analog output on the sound card (usually labeled "front", "1" or green). "Rear Analog in" (purple) on subwoofer connects to the sound card's rear analog output (usually labeled "rear", "2" or black).

**3**

Back of subwoofer



## 3. Rear Speaker Assembly

**a)** First, snap on the **slide caps** to the top of each **tower tube**. Then feed the **connection cord** from each speaker down through the tube. Next, slide each satellite speaker on to top of tower tube, making sure the cords are not being pinched. Finally, with the cord passing through the bottom of the tower tube, slide on each of the three **stability legs**. The cord should pass freely through the intersection of the three stability legs.

**b)** With each of the two tower speaker cords passing down through the tubes, connect each plug to the respective right and left "**Rear Speaker**" jacks on the back of the subwoofer (red to red and white to white).

**c)** Plug in power cable/transformer into back of subwoofer and available AC outlet.

# Limited Warranty

For one year from the date of purchase, Boston Acoustics **will repair for the original owner** any defect in materials or workmanship that occurs in normal use of the speaker system, without charge for parts and labor.

Your responsibilities are to use the system according to the instructions supplied, to provide safe and secure transportation to an authorized Boston Acoustics service representative and to present proof of purchase in the form of your sales slip when requesting service.

Excluded from this warranty is damage that may result from abuse, misuse, accidents, shipping, or repairs or modifications by anyone other than an authorized Boston Acoustics service representative.

**This warranty is void if the serial number has been removed or defaced.**

This warranty gives you specific legal rights, and you may also have other rights, which may vary from state to state.

# If Service Seems Necessary

Please contact the retailer from whom you purchased the system. If that is not possible, write to:

Boston Acoustics, Inc., 300 Jubilee Drive, Peabody, MA 01960, or call 1-(978)-538-5000.

We will promptly advise you of what action to take. If it is necessary to return your speaker to the factory, please ship it prepaid. After it has been repaired, we will return it freight prepaid in the U.S. and Canada.

# Notice of FCC Compliance

This device complies with part 15 of the FCC Rules. Operation is subject to the following two conditions: (1) This device may not cause harmful interference, and (2) this device must accept any interference received, including interference that may cause undesired operation.

Note: This equipment has been tested and found to comply with the limits for a Class B digital device, pursuant to part 15 of the FCC Rules. These limits are designed to provide reasonable protection against harmful interference in a residential installation. This equipment generates, uses and can radiate radio frequency energy and, if not installed and used in accordance with the instructions, may cause harmful interference to radio communications. However, there is no guarantee that interference will not occur in a particular installation. If this equipment does cause harmful interference to radio or television reception, which can be determined by turning the equipment off and on, the user is encouraged to try to correct the interference by one or more of the following measures:

- Reorient or relocate the receiving antenna
- Increase the separation between the equipment and receiver
- Connect the equipment into an outlet on a circuit different from that to which the receiver is connected
- Consult the dealer or an experienced radio/TV technician for help

© Copyright 1999 Boston Acoustics, Inc. All rights reserved. BA4800 is a trademark and MagnaGuard, Boston, and Boston Acoustics are registered trademarks of Boston Acoustics, Inc.

Specifications subject to change without notice.

# **Boston**

*BostonAcoustics.com*

300 Jubilee Drive  
Peabody, MA 01960  
(978) 538-5000

Part# 042-001133-0

## Free Manuals Download Website

<http://myh66.com>

<http://usermanuals.us>

<http://www.somanuals.com>

<http://www.4manuals.cc>

<http://www.manual-lib.com>

<http://www.404manual.com>

<http://www.luxmanual.com>

<http://aubethermostatmanual.com>

Golf course search by state

<http://golfingnear.com>

Email search by domain

<http://emailbydomain.com>

Auto manuals search

<http://auto.somanuals.com>

TV manuals search

<http://tv.somanuals.com>